

1940 - 1942

**PARTS CATALOG**

**HOUSEHOLD  
REFRIGERATORS  
—  
HOME FREEZERS**

**GENERAL ELECTRIC COMPANY**

**APPLIANCE AND MERCHANDISE DEPARTMENT**

**BRIDGEPORT, CONNECTICUT**



Catalog information for Household Refrigerators  
and Home Freezers produced after 1942 appears  
in Form 30-680 - Household Refrigerator and Food  
Freezer Parts Catalog.

# INDEX

ACCESSORIES	Page No.	HOUSEHOLD CABINETS (CONT.)	Page No.
Accessories Index.....	1 & 2	HT-50 (Same as T-5C).....	38
Cabinet Light Set.....	15	HT-67 (Same as HT-70).....	70
Cabinet Locking Devices.....	15	HT-70A.....	70
Cold Storage Compartment Accessory.....	16	HX-47A,B.....	20
Connecting Cords and Plugs.....	14	HX-50 (Same as X-5).....	35 & 36
Contents of Accessory Cartons.....	3 - 12	HX-67 (Same as HX-70).....	67
Chillers.....	13	HX-70A.....	67
Flexo Grids.....	14	JB3-38A.....	8
Freezing Trays.....	13	JB3-39A,B.....	8
Freezing Tray Supports.....	14	JB4-39A.....	16.4
General Electric Liquid Wax.....	15	JB5-37A.....	32
Gliders.....	14	JB5-38A.....	32.3
		JB5-39A,B.....	32.4
		JB5-40A.....	104.1
		JB6-37A.....	41
		JB6-37B,C.....	42.2
		JB6-38A.....	42.2
		JB6-39A,B.....	42.9
		JB6-40A,B.....	104.1
		JB6-41A.....	117
		JB6-41B,C.....	119
		JB7C.....	137
		JB7-37A.....	64
		JB7-38A,B.....	64.2
		JB7-42A.....	137
		JB8-41A,B.....	127
		K-4A.....	14
		K-5A,B.....	29
		K-7A,B.....	61
		K-12A.....	83
		K-12B.....	84.1
		K-15A.....	87
		K-15B.....	88.1
		KF-3A.....	6
		KF-4A.....	13
		KF-5A.....	28
		KF-7A.....	60
		KF-12A,B.....	81
		KF-15A,B.....	85
		KT-5A,B.....	29
		KT-7A,B.....	61
		LA6A.....	132.1
		LB3A,B,C.....	102.1
		LB3-40A.....	102.1
		LB4C,D,E.....	113
		LB4-40A.....	102.4
		LB4-40B.....	103
		LB4-40C.....	113
		LB6-39A.....	42.5
		LBC6-39A.....	42.7
		LB6B,C.....	104.2
		LB6D,E,F.....	115
		LB6G.....	133
		LB6-39B,C.....	42.7
		LB6-40A,B.....	104.3
		LB6-41A,D.....	116
		LB7-42A.....	135
		LB8-40A,B.....	104.3
		LBH-6A.....	104
		LBH-8A.....	104
		LBS-6B.....	134.1
		LBS-8A.....	142.1
		LBSF-6B.....	134.1
		LBSF-8A.....	142.1
		LBX6A.....	134
		LBX6-41A,B.....	117
		LBX7-42A.....	135
		LK-1A,B.....	1
		LK-2A.....	1
		M-4A,C.....	22
		M-5A,C.....	37
		M-6A,B,C.....	46
		M6-37A.....	48
		M6-38A.....	48.1
		M-7A,C.....	69
		M8-37A.....	76
B3A,B,C.....	102.2		
B3-37A.....	7		
B3-38A.....	7		
B3-39A.....	7		
B3-40A.....	102.2		
B4A.....	16.1		
B4-37A.....	16		
B4-37B.....	16.1		
B4-38A,C.....	16.1		
B5-37A.....	31		
B5-38A.....	32.2		
B5-39A.....	32.6		
B5-40A.....	107		
B6-37A.....	40		
B6-38A.....	42.1		
B6-39A.....	42.10		
B6-40A,B.....	107		
B6-41A,B,C.....	121		
B7A.....	139		
B7B.....	140.1		
B7-37A.....	63		
B7-38A,B.....	64.1		
B7-41A,B.....	125		
B7-42A.....	139		
B8A.....	141		
B8-37A.....	73		
B8-38A,B.....	74		
B8-39A.....	74.3		
B8-40A,B,C.....	107		
B8-41A,B.....	129		
B8-42A.....	141		
BH5-41A,B.....	114.1		
BH6-40A.....	106		
BH7-41A,B.....	123		
BY4A,B,C.....	102.3		
BY4-38A.....	16.3		
BY4-39A.....	16.3		
BY4-40A.....	102.3		
CS-45.....	99		
DK-1A.....	2		
E-4 (Same as HE-4A).....	9		
E-5.....	25		
F-3A.....	5		
F-4A.....	12		
F-5A.....	27		
F-7A.....	59		
G-35 (Same as G-40).....	19		
G-40.....	19		
G-55.....	43		
G-75.....	75		
G-100.....	89		
G-135.....	89		
G-175.....	89		
HE-3A,K.....	4		
HE-4A.....	9		
HE-4B.....	10		
HE-4C.....	11		
HE-5A.....	26		
HE-7A.....	57		
HE-7B.....	58		
HT-47A,B.....	24		

# INDEX (CONT'D)

HOUSEHOLD CABINETS (CONT.)	Page No.	HOUSEHOLD CABINETS (CONT.)	Page No.
M8-38A.....	48.1	PS-9 (Same as P-110).....	93
MP-5A,C.....	39	PS-13.....	101
MP-6C.....	54	PS-17.....	101
P-4.....	52	PS-45.....	23
P4-180.....	98	PS-55.....	50
P-5.....	52	PS-62 (Same as PS-65).....	49
P-7.....	52	PS-65.....	49
P-9.....	92	PS-95 (Same as P-110).....	93
P-12.....	92	PSS-62 (Same as PS-65).....	49
P-16.....	95	R-5.....	43
P-42 (Same as P-4).....	52	R-7.....	99
P-44E.....	23	R-9.....	92
P-52 (Same as P-5).....	52	R52 (Same as R5).....	43
P-55E.....	49	R72 (Same as R7).....	99
P-55S.....	50	RB5.....	99
P-63.....	51	RB7.....	53
P-67E.....	49	RB9.....	92
P-72 (Same as P-7).....	52	RC4-38A.....	16.2
P-83.....	78	RC5-37A.....	32.1
P-85E.....	77	RC5-38A.....	32.5
P-110.....	93	RC6-37A.....	42
P-134.....	93	RC6-38A.....	42.8
P-170.....	97	RL-95.....	91
PB4-37A.....	18	RS5.....	99
PB4-38A.....	18.1	RS-52 (Same as RS-5).....	99
PB-5.....	53	RT-5.....	52
PB5-37A.....	34	RT-7.....	52
PB5-38A.....	34.1	RT-52 (Same as RT5).....	52
PB5-39A.....	32.6	RT-72 (Same as RT7).....	52
PB5-40A.....	109	S3.....	99
PB6-37A.....	42.3	S5.....	99
PB6-38A.....	42.4	S32 (Same as S3).....	99
PB6-39A.....	42.10	S-42.....	19
PB6-40A.....	109	SS-42.....	19
PB6-41A,B,C.....	121	S-44.....	19
PB-7.....	53	S-62.....	43
PB7-38A.....	66	S-62S.....	44
PB7-41A,B.....	125	SS-62.....	44
PB-8A.....	141	S-67.....	44
PB8-37A.....	74.1	SS-82.....	75
PB8-38A,B.....	74.2	S-85.....	75
PB8-39A.....	74.3	S-100.....	89
PB8-40A,B.....	109	SS-100.....	90
PB8-41A,B.....	129	S-107.....	90
PB8-42A.....	141	S-140.....	89
PB-9.....	92	SS-140.....	90
PB-12.....	92	S-146.....	90
PB12A.....	111	S-180.....	89
PB12B,C.....	131	SS-180.....	90
PB12D,E.....	143	S-182.....	90
PB12-38A.....	84.3	SD-40.....	3
PB12-39A,C.....	84.5	SM-66A,B,C.....	47
PB12-39B.....	84.3	SMP-66A,C.....	55
PB12-40A.....	111	T-5C.....	38
PB-16.....	95	T-7B.....	71
PB16A.....	111	T-7C.....	72
PB16B,C.....	131	T-9A.....	79
PB16D,E.....	143	T-9C,D.....	80
PB16-38A.....	88.3	T-14A.....	94
PB16-39A.....	88.5	TM-9A.....	80
PB16-39B.....	88.3	V-4A,C.....	15
PB16-40A.....	111	V-5A,C.....	30
PBS-16A.....	145	V-7A,C.....	62
PJB6-41B,D.....	119	VP-4A,C.....	17
PJB7A.....	137	VP-5A,C.....	33
PJB7-42A.....	137	VP-7A,C.....	65
PL-13.....	91	X-3A.....	21
PL-17.....	96	X-4A,B.....	21
PL-95.....	91	X-5A,C,D,G.....	35
PLB6-40A.....	105	X-5B,E,F.....	36
PS4-17.....	98	X-6A.....	45
PS4-18.....	98	X-7B.....	68
PS-5.....	50	X-7C.....	69
PS-6.....	50	XT-6A.....	45
PS-7.....	50	Vendor Cabinets - Hardware, Shelves and Door Gaskets.....	99 to 101
PS-8.....	77		

# INDEX (CONT'D)

**HOUSEHOLD REFRIGERATING MACHINES**

Page No.

CA-1, CA-2.....	1
CB-1, CB-2, CB-3.....	7
CD-1, CD-2, CD-3.....	10.1
CE-34A,B.....	3
CE-34D.....	6.6
CE-34E.....	6.8
CE-34H.....	6.10
CE-34M.....	2
CE-140A,B.....	6
CE-140C.....	6.6
CE-140D.....	6.8
CE-340A,B.....	3
CE-340C.....	6.6
CF-1B,C,D.....	3
CF-1E,G.....	4
CF-1H.....	6.5
CF-2B,C,D.....	3
CF-2E,G.....	4
CF-2H.....	6.5
CF-2J.....	6.7
CF-2M.....	6.9
CF-2R.....	6.10
CF-11A.....	6.5
CF-21A.....	6.5
CF-22A,B.....	6.5
CF-22C.....	6.8
CF-22G.....	6.9
CF-28A,C.....	4
CF-28D.....	6.5
CF-28E.....	6.7
CF-28H.....	6.9
CG-1A,B.....	4
CH-1A.....	5
CH-1B,C.....	6
CH-1D.....	6.6
CH-1E.....	6.7
CJ-1A.....	5
CJ-1B,C.....	6
CJ-1D.....	6.6
CJ-1E.....	6.7
CJ-2A.....	6.5
CJ-2B,C,D,E.....	6.7
CJ-2H.....	6.9
CK-1, CK-2, CK-26, CK-28.....	6.1
CK-2E.....	6.10
CK-15.....	6.2
CK-30.....	6.2
CK-35.....	6.2
CK-30G,H.....	6.11
CK-35G,H.....	6.11
CK (Oil Demonstration Unit).....	6.3
CM-1,2.....	12
CM-32.....	14
CM-33.....	17
CM-34.....	18.1
CM-35.....	19
CM-311.....	21
CM-312.....	22
Compressors.....	22.1
Compressor Parts.....	23
D,DR.....	1
DK-1A.....	6.3
FBA-1A.....	6.5
LK-1,2.....	6.3

**CONTROLS**

Page No.

CRI050 Type A Controls.....	1
CRI050 Type C Controls.....	2,3
CRI050 Type D Controls.....	5
CRI050 Type E Controls.....	6,7
CRI057 Controls.....	9,10

**CAPACITORS, TRANSFORMERS, ROTARY CONVERTERS**

Page No.

Capacitors.....	1
DC-AC Adapters (11X141 11X528).....	7
ROTARY CONVERTERS.....	4 - 7
11X62.....	4
11X124.....	4
11X245.....	4
11X320.....	7
11X321.....	7
11X356.....	4
11X444.....	5
11X445.....	5
11X446.....	5
11X447.....	6
Transformers.....	1

**INSTALLATION AND SERVICE MATERIAL**

Page No.

Alcohol for CM-3 Refrigerating Machine.....	5
Brooks Midget Sealing Pliers.....	1
Caster for Household Cabinets.....	1
Evaporator Bead Protectors.....	1
Expanding Pliers (K-12,K-15,KF-12,KF-15).....	2
Float Valve Lifters.....	1
Flushing Compound.....	2
Gauges.....	3
H4A37 Adapter Panel Assembly.....	3
H20A134 Adapter Panel Assembly.....	3
H20A176 Set of Parts.....	3
H20A177 Set of Parts.....	3
H20A178 Set of Parts.....	3
Kimsul Insulation.....	2
Lead Control Seals.....	1
Lifting Dolly.....	3
Lifting Handle (CG-1 Units).....	2
Monitor Test Kit.....	1
No-Oxide Cloth.....	2
Oil for CM-3 Refrigerating Machine.....	5
Pocket Thermometers.....	1
Portable Lifters.....	2 & 3
Rayon Tape.....	2
Removable Shaft Seal Assemblies.....	4
Replacement Shelf Support.....	2
Service Clip (KF-12, KF-15).....	2
Shelf Adjusting Tool.....	1
Tool Kit to Install Flat Top Units.....	4
Touch-up Kits.....	2

**GENERAL INFORMATION**

Page No.

Cabinet - Unit Reference Chart.....	1
Cold Storage Compartment - Dimensions.....	9
Door Gaskets - Button Type.....	2
Door Gaskets - Extruded Type.....	3
Hinges.....	5
Latches.....	8
Strikes.....	6
Vegetable Drawer - Dimensions.....	9

**MOTOR SECTION**

Page No.

Motors - Interchangeability and General Information.....	1 - 6
--	-------

# ACCESSORIES

## Index

Note: Accessories for 1940 and later model cabinets are shown with the cabinet in the Cabinet Section.

### REFRIGERATING MACHINE ACCESSORIES

For Use With	Cat. No.	Parts List Page No.
CB Units, 50 and 25 cycle (Tuned Flywheel Accessories)	A1A24	4
CB Units, 60 cycle and D.C. (Tuned Flywheel Accessories)	A1A23	3
CB-3D Unit.....	A1A70	4
CK-30B Unit.....	A1H1	4
CK-30C Unit.....	A1H5	4
CK-35B Unit.....	A1H2	4
CK-35C, CK-35D Units.....	A1H7	4
CM-35A, CM-35B Units.....	A1A49	4
D-2 Unit.....	11X675	3
D-15 Unit.....	11X921	3
D-30A Unit.....	11X676	3
D-30E, D-30F Units.....	A1R27	5
D-31A Unit.....	11X675	3
D-35A Unit.....	11X677	3
D-35B Unit.....	A1R22	5
D-40 Unit.....	11X677	3
D-40E Unit.....	A1R35	6
DR-1A Unit.....	11X119	3
DR-1B Unit.....	11X921	3
DR-2E Unit.....	11X101	3
DR-2F Unit.....	11X675	3
DR-3 Unit.....	11X102	3
DR-35A Unit.....	11X677	3
DR-35B Unit.....	A1R22	5
DRA-2 Unit.....	11X103	3
DRA-2A Unit.....	11X759	3
DRA-4 Unit.....	11X102	3
DRB-3 Unit.....	11X101	3
DRB-31A Unit.....	11X675	3
DRB-31B Unit.....	A1R17	5
DRE-3 Unit.....	11X443	3
DRE-4 Unit.....	11X449	3

### REFRIGERATOR CABINET ACCESSORIES

B3-37A Refrigerator.....	A1R95	9
B3-38A Refrigerator.....	A1R100	9
B3-39A Refrigerator.....	A1R150	11
B4A Refrigerator.....	A1R101	9
B4-37A Refrigerator.....	A1R75	8
B4-37B, B4-38A, B4-38C Refrigerators	A1R101	9
B5-37A Refrigerator.....	A1R76	8
B5-38A Refrigerator.....	A1R106	10
B5-39A Refrigerator.....	A1R139	11
B6-37A Refrigerator.....	A1R79	8
B6-38A Refrigerator.....	A1R104	10
B6-39A Refrigerator.....	A1R134	11
B7-37A Refrigerator.....	A1R77	8
B7-38A, B7-38B Refrigerators.....	A1R110	10
B8-37A Refrigerator.....	A1R80	9
B8-38A, B8-38B Refrigerators.....	A1R110	10
B8-39A Refrigerator.....	A1R134	11
BY4-38A Refrigerator.....	A1R127	10
BY4-39A Refrigerator.....	A1R150	11
DK-1A Refrigerator.....	A1H6	4
E-5 Refrigerator.....	A1R132	11
F-3A Refrigerator.....	A1R33	6
F-4A Refrigerator.....	A1R28	5
F-5A Refrigerator.....	A1R26	5
F-7A Refrigerator.....	A1R29	6
HE-3, HE-3K Refrigerator.....	A1X3	12

### REFRIGERATOR CABINET ACCESSORIES (CONTINUED)

For Use With	Cat. No.	Parts List Page No.
HE-3K, Refrigerator (Ventilating Accessories)	A1A25	4
HE-4A Refrigerator.....	A1R12	4
HE-4B Refrigerator.....	A1R10	4
HE-4C Refrigerator.....	A1R19	5
HE-5A Refrigerator.....	A1R11	4
HE-7A Refrigerator.....	A1R9	4
HE-7B Refrigerator.....	A1R15	4
HT-47A Refrigerator.....	58X23	3
HT-70A Refrigerator.....	58X24	3
HT-70A Cabinet with DR-2F or D-2 Unit	A1R21	5
HX-47A Refrigerator.....	58X23	3
HX-70A Refrigerator.....	A1R14	4
HX-70A Cabinet with DR-2F or D-2 Unit	A1R20	5
JB3-38A Refrigerator.....	A1R127	10
JB3-39A Refrigerator.....	A1R150	11
JB4-39A Refrigerator.....	A1R148	11
JB5-37A Refrigerator.....	A1R81	9
JB5-38A Refrigerator.....	A1R107	10
JB5-39A, JB5-39B Refrigerators.....	A1R142	11
JB6-37A Refrigerator.....	A1R82	9
JB6-37B, JB6-37C Refrigerators.....	A1R129	11
JB6-38A Refrigerator.....	A1R102	10
JB6-39A, JB6-39B Refrigerators.....	A1R133	11
JB7-37A Refrigerator.....	A1R83	9
JB7-38A, JB7-38B Refrigerators.....	A1R111	10
K-4A Refrigerator.....	A1R40	6
K-5A Refrigerator.....	A1R44	6
K-5B Refrigerator.....	A1R50	7
K-7A Refrigerator.....	A1R41	6
K-7B Refrigerator.....	A1R51	7
K-12A Refrigerator.....	A1R49	7
K-12B Refrigerator.....	A1R96	9
K-15A Refrigerator.....	A1R52	7
K-15B Refrigerator.....	A1R97	9
KF-3A Refrigerator.....	A1R60	7
KF-4A Refrigerator.....	A1R40	6
KF-5A Refrigerator.....	A1R44	6
KF-7A Refrigerator.....	A1R41	6
KF-12A, KF-12B Refrigerators.....	A1R49	7
KF-15A, KF-15B Refrigerators.....	A1R52	7
KT-5A Refrigerator.....	A1R44	6
KT-5B Refrigerator.....	A1R50	7
KT-7A Refrigerator.....	A1R41	6
KT-7B Refrigerator.....	A1R51	7
LB6-39A Refrigerator.....	-	12
LB6B Refrigerator.....	-	12
LB6-39A, LB6-39C Refrigerators.....	A1R141	11
LB6-39B Refrigerator.....	-	12
LK-1A, LK-1B Refrigerators.....	A1H3	4
LK-2A Refrigerator.....	A1H4	4
M-4A, M-4C Refrigerators.....	A1R61	7
M-5A, M-5C Refrigerators.....	A1R55	7
M-6A, M-6B, M-6C Refrigerators.....	A1R56	7
M-7A, M-7C Refrigerators.....	A1R57	7
M6-37A Refrigerator.....	A1R73	8
M6-38A Refrigerator.....	A1R124	10
M8-37A Refrigerator.....	A1R74	8
M8-38A Refrigerator.....	A1R125	10
MP-5A, MP-5C Refrigerators.....	A1R63	8
MP-6C Refrigerator.....	A1R56	7
PB4-37A Refrigerator.....	A1R94	9
PB4-38A Refrigerator.....	A1R101	9

## ACCESSORIES

### Index (Continued)

## REFRIGERATOR CABINET ACCESSORIES (CONTINUED)

<i>For Use With</i>	<i>Cat. No.</i>	<i>Parts List Page No.</i>
PB5-37A Refrigerator.....	AIR90	9
PB5-38A Refrigerator.....	AIR108	10
PB5-39A Refrigerator.....	AIR140	11
PB6-37A Refrigerator.....	AIR92	9
PB6-38A Refrigerator.....	AIR105	10
PB6-39A Refrigerator.....	AIR135	11
PB7-38A Refrigerator.....	AIR126	10
PB8-37A Refrigerator.....	AIR80	9
PB8-38A, PB8-38B Refrigerators.....	AIR113	10
PB8-39A Refrigerator.....	AIR135	11
PB12-38A Refrigerator.....	AIR116	10
PB12-39A, PB12-39B Refrigerators.....	AIR152	11
PB16-38A Refrigerator.....	AIR116	10
PB16-39A, PB16-39B Refrigerator.....	AIR152	11
RC4-38A Refrigerator.....	AIR128	10
RC5-37A Refrigerator.....	AIR99	9
RC5-38A Refrigerator.....	AIR130	11
RC6-37A Refrigerator.....	AIR82	9
RC6-38A Refrigerator.....	AIR131	11
S-44 Cabinet with CA-1A Unit.....	AIR16	5
S-67 Cabinet with CA-2A Unit.....	AIR13	4
SD-40 Refrigerator.....	IIX361	3
SM-66A Refrigerator (CK-15 Unit).....	AIR62	7
SM-66A Refrigerator (CK-2C Unit).....	AIR68	8
SM-66B, SM-66C Refrigerators..... (CK-15A Unit)	AIR69	8
SM-66B, SM-66C Refrigerators..... (CK-2C Unit)	AIR70	8
SMP-66A, SMP-66C Refrigerators..... (CK-15A Unit)	AIR71	8
SMP-66A, SMP-66C Refrigerators..... (CK-2C Unit)	AIR72	8
T-5C Refrigerator.....	AIR38	6
T-7B Refrigerator.....	AIR23	5
T-7C Refrigerator.....	AIR42	6
T-9A Cabinet Only.....	AIR31	6
T-9C Cabinet Only.....	AIR43	6

## REFRIGERATOR CABINET ACCESSORIES (CONTINUED)

<i>For Use With</i>	<i>Cat. No.</i>	<i>Parts List Page No.</i>
T-9D Refrigerator.....	AIR46	6
T-14A Refrigerator.....	AIR32	6
TM-9A Refrigerator.....	AIR58	7
V-4A Refrigerator.....	AIR59	7
V-4C Refrigerator.....	AIR67	8
V-5A, V-5C Refrigerators.....	AIR54	7
V-7A, V-7C Refrigerators.....	AIR53	7
VP-4A Refrigerator.....	AIR59	7
VP-4C Refrigerator.....	AIR67	8
VP-5A, VP-5C Refrigerators.....	AIR54	7
VP-7A, VP-7C Refrigerators.....	AIR53	7
X-3A, X-4A, X-4B Refrigerators.....	AIR48	7
X-5A Refrigerator.....	AIR25	5
X-5B Refrigerator.....	AIR30	6
X-5C Refrigerator.....	AIR39	6
X-5D Refrigerator.....	AIR36	6
X-5E Refrigerator.....	AIR37	6
X-5F Refrigerator.....	AIR39	6
X-5G Refrigerator.....	AIR38	6
X-6A Refrigerator.....	AIR45	6
X-7B Refrigerator.....	AIR24	5
X-7C Refrigerator.....	AIR47	7
XT-6A Refrigerator.....	AIR45	6

## MISCELLANEOUS ACCESSORIES

Accessories as furnished with various units	-	13
Deluxe Refrigerator Accessories.....	AIR98	9
Miscellaneous Accessories.....	-	15
Set new style Hardware for PS-95 or P-110 Bohn Cabinets	AIX1	12
Set new style Hardware for PS-13 or P-134 Bohn Cabinets	AIX2	12
Set of Ovenware Dishes.....	A2IR22	12
Set of Ovenware Dishes.....	A2IR73	12
Set of Ovenware Dishes.....	A2IR89	12

**ACCESSORIES**

Quan.	Cat. No.	Name of Part	Quan.	Cat. No.	Name of Part
<b>IIX101 ACCESSORIES FOR DR-2E AND DRB-3</b>			<b>IIX676 ACCESSORIES FOR D-30A</b>		
1	IIX4	Chiller	4	IIX14	Gliders
1	IIX6	Sponge Rubber Gasket	1	IIX253	Connecting Cord and Plug
4	IIX14	Gliders	1	IIX632	Deep Freezing Tray
1	IIX105	Deep Freezing Tray with Cover	2	A4A2	Chillers
1	IIX106	Shallow Freezing Tray	1	IIX686	Du-Flex Rub-Bar Freezing Tray
1	IIX108	Aluminum Tray Support	2	A5R17	Shallow Freezing Trays
1	IIX503	Connecting Cord and Plug	N.B.--Use Special Connecting Cord IGC2D10 if D-30A Unit is installed in T-9A Cabinet.		
<b>IIX102 ACCESSORIES FOR DR-3 AND DRA-4</b>			<b>IIX677 ACCESSORIES FOR D-35A, DR-35A, D-40</b>		
2	IIX4	Chillers	4	IIX14	Gliders
1	IIX6	Sponge Rubber Gasket	1	IIX253	Connecting Cord and Plug
4	IIX14	Gliders	1	IIX517	Sponge Rubber Gasket
2	IIX105	Deep Freezing Trays with Covers	1	IIX632	Deep Freezing Tray
2	IIX106	Shallow Freezing Trays	2	IIX634	Chillers
2	IIX108	Aluminum Tray Supports	1	IIX686	Du-Flex Rub-Bar Freezing Tray
1	IIX503	Connecting Cord and Plug	2	A5R17	Shallow Freezing Trays
<b>IIX103 ACCESSORIES FOR DRA-2</b>			N.B.--Substitute IIX503 Connecting Cord for IIX253 Cord when used with D-40 Units.		
4	IIX14	Gliders	<b>IIX759 ACCESSORIES FOR DRA-2A</b>		
1	IIX105	Deep Freezing Tray with Cover	4	IIX14	Gliders
1	IIX107	Shallow Freezing Tray	1	IIX111	Sponge Rubber Gasket
1	IIX109	Aluminum Tray Support	1	IIX353	Chiller
1	IIX110	Chiller	2	IIX354	Freezing Trays
1	IIX111	Sponge Rubber Gasket	1	IIX503	Connecting Cord and Plug
1	IIX503	Connecting Cord and Plug	<b>IIX921 ACCESSORIES FOR DR-1B, D-15</b>		
<b>IIX119 ACCESSORIES FOR DR-1A</b>			4	IIX14	Gliders
4	IIX14	Gliders	1	IIX353	Chiller
2	IIX107	Shallow Freezing Trays	2	IIX354	Freezing Trays
1	IIX112	Freezing Tray Cover	1	IIX355	Connecting Cord and Plug
1	IIX120	Chiller	<b>58X23 ACCESSORIES FOR HX-47A AND HT-47A</b>		
1	IIX355	Connecting Cord and Plug	4	IIX14	Gliders
<b>IIX361 ACCESSORIES FOR SD-40</b>			1	IIX781	Vegetable Pan
2	IIX251	Gliders	1	IIX787	Freezing Tray
2	IIX354	Shallow Freezing Trays	1	58X26	Connecting Cord and Plug
1	IIX355	Connecting Cord and Plug	1	A4R3	Chiller
1	IIX366	Chiller	1	A5R7	Freezing Tray with Flexo Grid
<b>IIX443 ACCESSORIES FOR DRE-3</b>			1	A2OR2	Tray Lifter
4	IIX14	Gliders	<b>58X24 ACCESSORIES FOR HT-70A</b>		
1	IIX253	Connecting Cord and Plug	4	IIX14	Gliders
2	IIX634	Chillers	1	IIX198	Vegetable Pan
4	A5R17	Shallow Freezing Trays	1	IIX685	Du-Flex Rub-Bar Freezing Trays
<b>IIX449 ACCESSORIES FOR DRE-4</b>			2	IIX787	Freezing Trays
4	IIX14	Gliders	1	58X140	Connecting Cord and Plug
1	IIX503	Connecting Cord and Plug	1	A4R3	Chiller
2	IIX634	Chillers	1	A5R7	Freezing Tray with Flexo Grid
4	A5R17	Shallow Freezing Trays	1	A2OR2	Tray Lifter
<b>IIX675 ACCESSORIES FOR DR-2F, D-2, D-31A AND DRB-31A</b>			1	A21R2	Set of Space Saving Dishes
4	IIX14	Gliders	1	H18A44	Fruit Basket
1	IIX253	Connecting Cord and Plug	<b>A1A23 TUNED FLYWHEEL ACCESSORIES FOR 60 CYCLE AND DIRECT CURRENT CB UNITS</b>		
1	A4R3	Chiller	1	C5A7	Motor Pulley
2	IIX349	Freezing Trays with Covers	1	C5A50	Tuned Flywheel
1	IIX685	Du-Flex Rub-Bar Freezing Tray	2	C20A58	Spring Supports
1	IIX787	Freezing Tray without Cover			

Always Give Catalog Number



**ACCESSORIES**

Quan.	Cat. No.	Name of Part	Quan.	Cat. No.	Name of Part
<b>A1A24 TUNED FLYWHEEL ACCESSORIES FOR 50 AND 25 CYCLE CB UNITS</b>			<b>A1H8 ACCESSORIES FOR DK-1A</b>		
1	C5A10	Motor Pulley	1	A4H2	Chiller
1	C5A50	Tuned Flywheel	2	A5R8	Freezing Trays
2	C20A58	Spring Supports			
<b>A1A25 VENTILATING ACCESSORIES FOR HE-3K</b>			<b>A1H7 ACCESSORIES FOR CK-35C, CK-35D</b>		
1	C13A38	Ventilating Duct	1	11X685	Du-Flex Rub-Bar Freezing Tray
1	C13A39	Cover Plate	1	A4A1	Chiller
			1	A4R3	Chiller
			2	A5R8	Freezing Trays
			1	A5R9	Freezing Tray with Flexo Grid
			2	A5R10	Freezing Trays
			1	A20R2	Tray Lifter
<b>A1A49 ACCESSORIES FOR CM-35A AND CM-35B UNITS</b>			<b>A1R9 ACCESSORIES FOR HE-7A</b>		
4	11X14	Gliders	4	A2R1	Gliders
2	A4A1	Chillers	1	A4A2	Chiller
4	A5A1	Freezing Trays	2	A5R4	Freezing Trays with Covers
2	A5R3	Freezing Trays with Covers and Flexo Grids	1	A5R5	Freezing Tray with Cover and Flexo Grid
1	A20A24	Box Top Gasket			
1	A20A25	Lifting Eye			
<b>A1A70 ACCESSORIES FOR CB-3D UNITS</b>			<b>A1R10 ACCESSORIES FOR HE-4B</b>		
1	A4R3	Chiller	4	A2R1	Gliders
2	A5R8	Freezing Trays	1	A4A1	Chiller
1	C20A273	Sponge Rubber Gasket	1	A5R3	Freezing Tray with Cover and Flexo Grid
1	H17A71	Compensated Shelf	1	11X349	Freezing Tray with Cover
1	H17A75	Small Top Shelf			
<b>A1H1 ACCESSORIES FOR CK-30B</b>			<b>A1R11 ACCESSORIES FOR HE-5A</b>		
1	11X685	Du-Flex Rub-Bar Freezing Tray	4	A2R1	Gliders
2	11X787	Freezing Trays	1	A4A1	Chiller
1	A3H1	Connecting Cord and Plug	2	A5A1	Freezing Trays
1	A4R3	Chiller	1	A5R3	Freezing Tray with Cover and Flexo Grid
1	A5R7	Freezing Tray with Flexo Grid			
<b>A1H2 ACCESSORIES FOR CK-35B</b>			<b>A1R12 ACCESSORIES FOR HE-4A</b>		
1	A3H1	Connecting Cord and Plug	2	11X349	Freezing Trays with Covers
2	A4A1	Chillers	4	A2R1	Gliders
5	A5A1	Freezing Trays	1	A4A1	Chiller
1	A5R7	Freezing Tray with Flexo Grid			
<b>A1H3 ACCESSORIES FOR LK-1A, LK-1B</b>			<b>A1R13 ACCESSORIES FOR S-67 AND CA-2</b>		
1	58X26	Connecting Cord and Plug	4	11X14	Gliders
2	A5H1	Freezing Trays	3	11X349	Freezing Trays with Covers
1	A21H1	Fruit Basket	1	11X685	Du-Flex Rub-Bar Freezing Tray
			1	A3H2	Connecting Cord and Plug
			1	A4R3	Chiller
<b>A1H4 ACCESSORIES FOR LK-2A</b>			<b>A1R14 ACCESSORIES FOR HX-70A</b>		
2	A5H1	Freezing Trays	4	11X14	Gliders
1	A21H1	Fruit Basket	1	11X198	Vegetable Pan
1	A21H3	Set of Space Saving Dishes	1	11X685	Du-Flex Rub-Bar Freezing Tray
			2	11X787	Freezing Trays
			1	58X140	Connecting Cord and Plug
			1	A4R3	Chiller
			1	A5R7	Freezing Tray with Flexo Grid
			1	A20R2	Tray Lifter
<b>A1H5 ACCESSORIES FOR CK-30C</b>			<b>A1R15 ACCESSORIES FOR HE-7B</b>		
1	11X685	Du-Flex Rub-Bar Freezing Tray	1	A4A2	Chiller
1	A4R3	Chiller	2	A5R4	Freezing Trays with Covers
3	A5R10	Freezing Trays	1	A5R5	Freezing Tray with Cover and Flexo Grid
1	A20R2	Tray Lifter			

N.B.--No Connecting Cord with LK-1B Accessories. Cord is permanently attached to Control.

Always Give Catalog Number

# ACCESSORIES

Quan.	Cat. No.	Name of Part	Quan.	Cat. No.	Name of Part
<b>AIR16 ACCESSORIES FOR S-44 AND CA-1</b>			<b>AIR23 ACCESSORIES FOR T-7B</b>		
4	11X14	Gliders	4	11X14	Gliders
1	11X787	Freezing Tray	1	11X198	Vegetable Pan
1	58X26	Connecting Cord and Plug	1	11X685	Du-Flex Rub-Bar Freezing Tray
1	A4R3	Chiller	2	11X787	Freezing Trays
1	A5R7	Freezing Tray with Flexo Grid	1	58X140	Connecting Cord and Plug
1	A2OR2	Tray Lifter	1	A4R3	Chiller
1	H13A52	Sponge Rubber Gasket	1	A5R7	Freezing Tray with Flexo Grid
1	H17A6	Top Shelf	1	A2OR2	Tray Lifter
N.B.--It is necessary to substitute the special Top Shelf (H17A6) for the Standard Top Shelf (11X531).			1	H18A44	Fruit Basket
			1	A21R2	Set of Space Saving Dishes
<b>AIR17 ACCESSORIES FOR DRB-31B UNIT</b>			<b>AIR24 ACCESSORIES FOR X-7B</b>		
4	11X14	Gliders	4	11X14	Gliders
1	11X253	Connecting Cord and Plug	1	11X198	Vegetable Pan
1	A4A2	Chiller	1	11X685	Du-Flex Rub-Bar Freezing Tray
2	A5R4	Freezing Trays with Covers	2	11X787	Freezing Trays
1	A5R5	Freezing Tray with Cover and Flexo Grid	1	58X140	Connecting Cord and Plug
N.B.--When DRB-31B Unit is installed in S-67 Cabinet it is necessary to substitute Special Top Shelf (H17A9) for Standard Shelf (58X2). When installed in S-85 or P-85E Cabinet it is necessary to substitute Special Top Shelf (H17A13) for Standard Top Shelf (11X614). When installed in G-75 Cabinet it is necessary to substitute Special Top Shelf (H17A14) to replace old type Straight Shelf and Special Top Shelf (H17A15) to replace old type Offset Shelf.			1	A4R3	Chiller
			1	A5R7	Freezing Tray with Flexo Grid
			1	A2OR2	Tray Lifter
<b>AIR19 ACCESSORIES FOR HE-4C</b>			<b>AIR25 ACCESSORIES FOR X-5A</b>		
1	11X349	Freezing Tray with Cover	4	11X14	Gliders
1	A4A1	Chiller	1	11X781	Vegetable Pan
1	A5R3	Freezing Tray with Cover and Flexo Grid	1	11X787	Freezing Tray
			1	58X140	Connecting Cord and Plug
			1	A4R3	Chiller
			1	A5R7	Freezing Tray with Flexo Grid
			1	A2OR2	Tray Lifter
<b>AIR20 ACCESSORIES FOR HX-70A AND DR-2F OR D-2</b>			<b>AIR26 ACCESSORIES FOR F-5A</b>		
4	11X14	Gliders	1	11X787	Freezing Tray
1	A4R3	Chiller	1	A4A1	Chiller
3	11X349	Freezing Trays with Covers	1	A5R7	Freezing Tray with Flexo Grid
1	11X685	Du-Flex Rub-Bar Freezing Tray	1	A2OR2	Tray Lifter
1	62X785	Connecting Cord and Plug	6	H20A23	Shims for Cabinet Base
1	H18A80	Top Adapter with Gasket	1	H20A24	Shim Support
<b>AIR21 ACCESSORIES FOR HT-70A AND DR-2F OR D-2</b>			<b>AIR27 ACCESSORIES FOR D-30E, D-30F</b>		
4	11X14	Gliders	4	11X14	Gliders
1	A4R3	Chiller	1	11X253	Connecting Cord and Plug
3	11X349	Freezing Trays with Covers	1	A4R3	Chiller
1	11X685	Du-Flex Rub-Bar Freezing Tray	4	11X349	Freezing Trays with Covers
1	62X785	Connecting Cord and Plug	N.B.--If used in T-9A Cabinet use Special Cord 16C2D10 instead of 11X253.		
1	H18A81	Top Adapter with Gasket	<b>AIR28 ACCESSORIES FOR F-4A</b>		
<b>AIR22 ACCESSORIES FOR D-35B AND DR-35B</b>			1	11X787	Freezing Tray
4	11X14	Gliders	1	A4A1	Chiller
1	11X253	Connecting Cord and Plug	1	A5R7	Freezing Tray with Flexo Grid
2	A4A1	Chillers	1	A2OR2	Tray Lifter
4	A5A2	Freezing Trays with Covers	6	H20A23	Shims for Cabinet Base
2	A5R3	Freezing Trays with Covers and Flexo Grids	1	H20A24	Shim Support
N.B.--Special Shelf (H17A23) used with S-146 Cabinet and D-35B or DR-35B Units.					

Always Give Catalog Number

# ACCESSORIES

Quan.	Cat. No.	Name of Part	Quan.	Cat. No.	Name of Part
<b>AIR29 ACCESSORIES FOR F-7A</b>			<b>AIR38 ACCESSORIES FOR X-5G, T-5C</b>		
3	11X787	Freezing Trays	4	11X14	Gliders
1	A4R3	Chiller	1	11X781	Vegetable Pan
1	A5R7	Freezing Tray with Flexo Grid	1	A4A1	Chiller
1	A2OR2	Tray Lifter	1	A5R10	Freezing Tray
6	H2OA23	Shims for Cabinet Base	1	A5R11	Freezing Tray with Flexo Grid
1	H2OA24	Shim Support	1	A2OR2	Tray Lifter
<b>AIR30 ACCESSORIES FOR X-5B</b>			<b>AIR39 ACCESSORIES FOR X-5C, X-5F</b>		
4	11X14	Gliders	4	11X14	Gliders
1	11X787	Freezing Tray	1	A4A1	Chiller
1	58X26	Connecting Cord and Plug	1	A5R10	Freezing Tray
1	A4R3	Chiller	1	A5R11	Freezing Tray with Flexo Grid
1	A5R7	Freezing Tray with Flexo Grid	1	A2OR2	Tray Lifter
1	A2OR2	Tray Lifter	<b>AIR40 ACCESSORIES FOR K-4A, KF-4A</b>		
<b>AIR31 ACCESSORIES FOR T-9A (Cabinet Only)</b>			1	A4A1	Chiller
4	11X14	Gliders	1	A5R8	Freezing Tray
1	11X198	Vegetable Pan	1	A5R9	Freezing Tray with Flexo Grid
1	H18A44	Fruit Basket	1	A2OR2	Tray Lifter
1	A21R2	Set of Space Saving Dishes	<b>AIR41 ACCESSORIES FOR K-7A, KF-7A, KT-7A</b>		
<b>AIR32 ACCESSORIES FOR T-14A</b>			1	11X685	Du-Flex Rub-Bar Freezing Tray
8	11X14	Gliders	1	A4R3	Chiller
2	11X198	Vegetable Pans	1	A5R8	Freezing Tray
2	11X685	Du-Flex Rub-Bar Freezing Trays	2	A5R10	Freezing Trays
4	11X787	Freezing Trays	1	A2OR2	Tray Lifter
2	58X140	Connecting Cords and Plugs	<b>AIR42 ACCESSORIES FOR T-7C</b>		
2	A4R3	Chillers	4	11X14	Gliders
2	A5R7	Freezing Trays with Flexo Grids	1	11X685	Du-Flex Rub-Bar Freezing Tray
2	A2OR2	Tray Lifters	1	A4R3	Chiller
2	A21R2	Sets of Space Saving Dishes	1	A5R8	Freezing Tray
2	H18A44	Fruit Baskets	2	A5R10	Freezing Trays
<b>AIR33 ACCESSORIES FOR F-3A</b>			1	A2OR2	Tray Lifter
1	11X787	Freezing Tray	1	A21R2	Set of Space Saving Dishes
1	A4A1	Chiller	<b>AIR43 ACCESSORIES FOR T-9C (Cabinet Only)</b>		
1	A5R7	Freezing Tray with Flexo Grid	4	11X14	Gliders
1	A2OR2	Tray Lifter	1	A21R2	Set of Space Saving Dishes
<b>AIR35 ACCESSORIES FOR D-40E</b>			<b>AIR44 ACCESSORIES FOR K-5A, KF-5A, KT-5A</b>		
4	11X14	Gliders	1	A4A1	Chiller
1	11X503	Connecting Cord and Plug	1	A5R10	Freezing Tray
2	A4A1	Chillers	1	A5R11	Freezing Tray with Flexo Grid
4	A5A2	Freezing Trays with Covers	1	A2OR2	Tray Lifter
2	A5R3	Freezing Trays with Flexo Grids	<b>AIR45 ACCESSORIES FOR X-6A, XT-6A</b>		
<b>AIR36 ACCESSORIES FOR X-5D</b>			4	11X14	Gliders
4	11X14	Gliders	1	11X198	Vegetable Pan
1	11X781	Vegetable Pan	1	11X685	Du-Flex Rub-Bar Freezing Tray
1	11X787	Freezing Tray	1	A4R3	Chiller
1	58X140	Connecting Cord and Plug	3	A5R8	Freezing Trays
1	A4R3	Chiller	1	A2OR2	Tray Lifter
1	A5R7	Freezing Tray with Flexo Grid	<b>AIR46 ACCESSORIES FOR T-9D</b>		
1	A2OR2	Tray Lifter	4	11X14	Gliders
<b>AIR37 ACCESSORIES FOR X-5E</b>			1	11X685	Du-Flex Rub-Bar Freezing Tray
4	11X14	Gliders	1	A4R3	Chiller
1	11X787	Freezing Tray	3	A5R10	Freezing Trays
1	58X26	Connecting Cord and Plug	1	A2OR2	Tray Lifter
1	A4R3	Chiller	1	A21R2	Set of Space Saving Dishes
1	A5R7	Freezing Tray with Flexo Grid			
1	A2OR2	Tray Lifter			

Always Give Catalog Number

**ACCESSORIES**

Quan.	Cat. No.	Name of Part	Quan.	Cat. No.	Name of Part
<b>AIR47 ACCESSORIES FOR X-7C</b>			<b>AIR55 ACCESSORIES FOR M-5A, M-5C</b>		
4	11X14	Gliders	4	11X14	Gliders
1	11X198	Vegetable Pan	1	11X781	Vegetable Pan
1	11X685	Du-Flex Rub-Bar Freezing Tray	1	A4R4	Chiller
1	A4R3	Chiller	1	A5R10	Freezing Tray
1	A5R8	Freezing Tray	1	A5R11	Freezing Tray with Flexo Grid
2	A5R10	Freezing Trays	1	A2OR2	Tray Lifter
1	A2OR2	Tray Lifter			
<b>AIR48 ACCESSORIES FOR X-3A, X-4A, X-4B</b>			<b>AIR56 ACCESSORIES FOR M-6A, M-6B, M-6C, MP-6C</b>		
4	A2R1	Gliders	4	11X14	Gliders
1	A4H1	Chiller	1	11X198	Vegetable Pan
2	A5R8	Freezing Trays	1	11X685	Du-Flex Rub-Bar Freezing Tray
			1	A4R3	Chiller
			2	A5R8	Freezing Trays
			1	A5R9	Freezing Tray with Flexo Grid
			1	A2OR2	Tray Lifter
			1	A21R88	Water Bottle
<b>AIR49 ACCESSORIES FOR KF-12A, KF-12B, K-12A</b>			<b>AIR57 ACCESSORIES FOR M-7A, M-7C</b>		
2	11X685	Du-Flex Rub-Bar Freezing Trays	4	11X14	Gliders
1	A4R2	Chiller	1	11X198	Vegetable Pan
2	A5R8	Freezing Trays	1	11X685	Du-Flex Rub-Bar Freezing Tray
2	A5R11	Freezing Trays with Flexo Grids	1	A4R3	Chiller
1	A5R15	Large Freezing Tray	2	A5R10	Freezing Trays
1	A2OR2	Tray Lifter	1	A5R11	Freezing Tray with Flexo Grid
1	A21R2	Set of Space Saving Dishes	1	A2OR2	Tray Lifter
			1	A21R88	Water Bottle
<b>AIR50 ACCESSORIES FOR K-5B, KT-5B</b>			<b>AIR58 ACCESSORIES FOR TM-9A</b>		
1	11X781	Vegetable Pan	4	11X14	Gliders
1	A4A1	Chiller	1	11X685	Du-Flex Rub-Bar Freezing Tray
1	A5R10	Freezing Tray	1	A4R3	Chiller
1	A5R11	Freezing Tray with Flexo Grid	2	A5R10	Freezing Trays
1	A2OR2	Tray Lifter	1	A5R11	Freezing Tray with Flexo Grid
			1	A2OR2	Tray Lifter
			1	A21R88	Water Bottle
<b>AIR51 ACCESSORIES FOR K-7B, KT-7B</b>			<b>AIR59 ACCESSORIES FOR V-4A, VP-4A</b>		
1	11X198	Vegetable Pan	1	11X781	Vegetable Pan
1	11X685	Du-Flex Rub-Bar Freezing Tray	1	A4R4	Chiller
1	A4R3	Chiller	1	A5R8	Freezing Tray
1	A5R8	Freezing Tray	1	A5R9	Freezing Tray with Flexo Grid
2	A5R10	Freezing Trays	1	A2OR2	Tray Lifter
1	A2OR2	Tray Lifter			
			<b>AIR60 ACCESSORIES FOR KF-3A</b>		
			1	A4A1	Chiller
			1	A5R8	Freezing Tray
			1	A5R9	Freezing Tray with Flexo Grid
<b>AIR52 ACCESSORIES FOR KF-15A, KF-15B, K-15A</b>			<b>AIR61 ACCESSORIES FOR M-4A, M-4C</b>		
2	11X685	Du-Flex Rub-Bar Freezing Trays	4	A2R1	Gliders
1	A4R2	Chiller	1	A4R4	Chiller
2	A5R10	Freezing Trays	1	A5R8	Freezing Tray
2	A5R11	Freezing Trays with Flexo Grids	1	A5R9	Freezing Tray with Flexo Grid
1	A5R15	Large Freezing Tray			
1	A2OR2	Tray Lifter	<b>AIR62 ACCESSORIES FOR SM-66A (CK-15A Unit)</b>		
1	A21R2	Set of Space Saving Dishes	1	A4R4	Chiller
			1	A5R10	Freezing Tray
			1	A5R11	Freezing Tray with Flexo Grid
			1	A2OR2	Tray Lifter
<b>AIR53 ACCESSORIES FOR V-7A, V-7C, VP-7A, VP-7C</b>					
1	11X685	Du-Flex Rub-Bar Freezing Tray			
1	A4R3	Chiller			
2	A5R10	Freezing Trays			
1	A5R11	Freezing Tray with Flexo Grid			
1	A2OR2	Tray Lifter			
1	A21R2	Set of Space Saving Dishes			
1	A21R88	Water Bottle			
<b>AIR54 ACCESSORIES FOR V-5A, V-5C, VP-5A, VP-5C</b>					
1	11X781	Vegetable Pan			
1	A4R4	Chiller			
1	A5R10	Freezing Tray			
1	A5R11	Freezing Tray with Flexo Grid			
1	A2OR2	Tray Lifter			
1	A21R88	Water Bottle			

Always Give Catalog Number

# ACCESSORIES

Quan.	Cat. No.	Name of Part	Quan.	Cat. No.	Name of Part
<b>AIR63 ACCESSORIES FOR MP-5A, MP-5C</b>			<b>AIR74 ACCESSORIES FOR M-8-37A</b>		
4	11X14	Gliders	1	11X685	Du-Flex Rub-Bar Freezing Tray
1	11X781	Vegetable Pan	1	A4R3	Chiller
1	A4R4	Chiller	1	A5R10	Freezing Tray
1	A5R10	Freezing Tray	2	A5R11	Freezing Trays with Flexo Grids
1	A5R11	Freezing Tray with Flexo Grid	1	A2OR2	Ice Tray Lifter
1	A2OR2	Tray Lifter	1	A21R88	Water Bottle
1	A21R88	Water Bottle	1	A21R7	Egg Basket
<b>AIR67 ACCESSORIES FOR V-4C, VP-4C</b>			1	A21R8	Fruit Basket
1	A4R4	Chiller	2	A21R9	Utility Dishes with Covers
1	A5R8	Freezing Tray	1	A21R10	Butter Dish with Cover
1	A5R9	Freezing Tray with Flexo Grid	2	A21R11	Vegetable Pans with Covers
1	A21R4	Vegetable Pan	1	A21R14	Thermometer
<b>AIR68 ACCESSORIES FOR SM-66A (CK-2C Unit)</b>			1	C2OH29	Evaporator Door
1	11X685	Du-Flex Rub-Bar Freezing Tray	1	NP67685B	Evaporator Escutcheon Plate
1	A4R3	Chiller	The Catalog Number A21R11 Vegetable Pan with hinged cover is furnished as an assembly, however, the pan only, Catalog Number A21R18, or the Hinged Cover, Catalog Number A21R19 can also be purchased.		
2	A5R8	Freezing Trays	<b>AIR75 ACCESSORIES FOR B-4-37A</b>		
1	A5R9	Freezing Tray with Flexo Grid	2	11X787	Freezing Trays
1	A2OR2	Tray Lifter	1	A4R5	Chiller
<b>AIR69 ACCESSORIES FOR SM-66B, SM-66C (CK-15A Unit)</b>			1	A2OR2	Ice Tray Lifter
4	A2R1	Gliders	1	A21R4	Vegetable Pan
1	A4R4	Chiller	<b>AIR76 ACCESSORIES FOR B-5-37A</b>		
1	A5R10	Freezing Tray	1	A4R4	Chiller
1	A5R11	Freezing Tray with Flexo Grid	2	A5R8	Freezing Trays
1	A2OR2	Tray Lifter	1	A5R9	Freezing Tray with Flexo Grid
<b>AIR70 ACCESSORIES FOR SM-66B, SM-66C (CK-2C Unit)</b>			1	A2OR2	Ice Tray Lifter
1	11X685	Du-Flex Rub-Bar Freezing Tray	1	A21R88	Water Bottle
4	A2R1	Gliders	1	A21R4	Vegetable Pan
1	A4R3	Chiller	1	A21R14	Thermometer
2	A5R8	Freezing Trays	<b>AIR77 ACCESSORIES FOR B-7-37A</b>		
1	A5R9	Freezing Tray with Flexo Grid	1	11X685	Du-Flex Rub-Bar Freezing Tray
1	A2OR2	Tray Lifter	1	A4R3	Chiller
<b>AIR71 ACCESSORIES FOR SMP-66A, SMP-66C (CK-15A Unit)</b>			1	A5R10	Freezing Tray
4	11X14	Gliders	2	A5R11	Freezing Trays with Flexo Grids
1	A4R4	Chiller	1	A2OR2	Ice Tray Lifter
1	A5R10	Freezing Tray	1	A21R88	Water Bottle
1	A5R11	Freezing Tray with Flexo Grid	1	A21R11	Vegetable Pan with Cover
1	A2OR2	Tray Lifter	1	A21R14	Thermometer
<b>AIR72 ACCESSORIES FOR SMP-66A, SMP-66C (CK-2C Unit)</b>			<b>AIR79 ACCESSORIES FOR B-8-37A</b>		
4	11X14	Gliders	1	11X685	Du-Flex Rub-Bar Freezing Tray
1	11X685	Du-Flex Rub-Bar Freezing Tray	1	11X781	Vegetable Pan
1	A4R3	Chiller	1	A4R3	Chiller
2	A5R8	Freezing Trays	2	A5R8	Freezing Trays
1	A5R9	Freezing Tray with Flexo Grid	1	A5R9	Freezing Tray with Flexo Grid
1	A2OR2	Tray Lifter	1	A2OR2	Ice Lifter
<b>AIR73 ACCESSORIES FOR M-8-37A</b>			1	A21R88	Water Bottle
1	11X685	Du-Flex Rub-Bar Freezing Tray	1	A21R14	Thermometer
1	11X781	Vegetable Pan			
1	A4R3	Chiller			
2	A5R8	Freezing Trays			
1	A5R9	Freezing Tray with Flexo Grid			
1	A2OR2	Tray Lifter			
1	A21R88	Water Bottle			
1	A21R14	Thermometer			
1	C2OH29	Evaporator Door			
1	NP67685B	Evaporator Escutcheon Plate			

Always Give Catalog Number

# ACCESSORIES

Quan.	Cat. No.	Name of Part	Quan.	Cat. No.	Name of Part
<b>AIR80 ACCESSORIES FOR B-8-37A, PB-8-37A</b>			<b>AIR94 ACCESSORIES FOR PB4-37A</b>		
1	11X685	Du-Flex Rub-Bar Freezing Tray	2	11X787	Freezing Trays
1	A4R3	Chiller	1	A4R5	Chiller
1	A5R10	Freezing Tray	1	A20R2	Ice Tray Lifter
2	A5R11	Freezing Trays with Flexo Grids	1	A21R4	Vegetable Pan
1	A20R2	Ice Tray Lifter	1	A21R14	Thermometer
1	A21R88	Water Bottle	<b>AIR95 ACCESSORIES FOR B3-37A</b>		
1	A21R7	Egg Basket	2	11X787	Freezing Trays
1	A21R8	Fruit Basket	1	A4R5	Chiller
2	A21R9	Utility Dishes with Covers	<b>AIR96 ACCESSORIES FOR K12B</b>		
1	A21R10	Butter Dish with Cover	2	11X685	Du-Flex Rub-Bar Freezing Trays
2	A21R11	Vegetable Pans with Covers	1	A4R2	Chiller
1	A21R14	Thermometer	2	A5R8	Freezing Trays
The Catalog Number A21R11 Vegetable Pan with hinged cover is a complete assembly, however, the pan only, catalog Number A21R18 of the Hinged Cover, Catalog Number A21R19, can also be purchased.			2	A5R11	Freezing Trays with Flexo Grids
<b>AIR81 ACCESSORIES FOR JB-5-37A</b>			1	A5R15	Dessert Tray
1	A4R4	Chiller	1	A20R2	Ice Tray Lifter
2	A5R10	Freezing Trays	1	A21R88	Water Bottle
1	A20R2	Ice Tray Lifter	3	A21R9	Utility Dishes with Covers
1	A21R4	Vegetable Pan	1	A21R10	Butter Dish with Cover
1	A21R14	Thermometer	1	A21R21	Thermometer
<b>AIR82 ACCESSORIES FOR JB-6-37A, RC-6-37A.</b>			<b>AIR97 ACCESSORIES FOR K15B</b>		
1	A4R3	Chiller	2	11X685	Du-Flex Rub-Bar Freezing Trays
4	A5R8	Freezing Trays	1	A4R2	Chiller
1	A20R2	Ice Tray Lifter	2	A5R10	Freezing Trays
1	A21R4	Vegetable Pan	2	A5R11	Freezing Trays with Flexo Grids
1	A21R14	Thermometer	1	A5R15	Dessert Tray
<b>AIR83 ACCESSORIES FOR JB-7-37A</b>			1	A20R2	Ice Tray Lifter
1	11X781	Vegetable Pan	1	A21R88	Water Bottle
1	A4R3	Chiller	3	A21R9	Utility Dishes with Covers
2	A5R8	Freezing Trays	1	A21R10	Butter Dish with Cover
2	A5R10	Freezing Trays	1	A21R21	Thermometer
1	A20R2	Ice Tray Lifter	<b>AIR98 DELUXE REFRIGERATOR ACCESSORIES</b>		
1	A21R14	Thermometer	1	A21R22	Set of Ovenware Dishes
<b>AIR90 ACCESSORIES FOR PB-5-37A</b>			1	A20X28	Set of 3 Protéctions
1	A4R4	Chiller	1	A20X23	Seal Sac Hydrator (12" x 12")
2	A5R8	Freezing Trays	1	A21R8	Fruit Basket
1	A5R9	Freezing Tray with Flexo Grid	1	A21R23	Egg Basket
1	A20R2	Ice Tray Lifter	<b>AIR99 ACCESSORIES FOR RC5-37A</b>		
1	A21R88	Water Bottle	2	11X787	Freezing Trays
1	A21R4	Vegetable Pan	1	A4R4	Chiller
1	A21R8	Fruit Basket	1	A20R2	Ice Tray Lifter
1	A21R14	Thermometer	1	A21R4	Vegetable Pan
<b>AIR92 ACCESSORIES FOR PB6-37A</b>			1	A21R14	Thermometer
1	11X685	Du-Flex Rub-Bar Freezing Tray	<b>AIR100 ACCESSORIES FOR B3-38A</b>		
1	11X781	Vegetable Pan	2	11X787	Freezing Trays
1	A4R3	Chiller	1	A4R6	Chiller
2	A5R8	Freezing Trays	1	A20R2	Ice Tray Lifter
1	A5R9	Freezing Tray with Flexo Grid	<b>AIR101 ACCESSORIES FOR B4A, B4-37B, B4-38A, B4-38C, PB4-38A</b>		
1	A20R2	Ice Tray Lifter	2	11X787	Freezing Trays
1	A21R88	Water Bottle	1	A4R6	Chiller
1	A21R7	Egg Basket	1	A20R2	Ice Tray Lifter
1	A21R8	Fruit Basket	1	A21R4	Vegetable Pan
1	A21R14	Thermometer	1	A21R14	Thermometer

Always Give Catalog Number

# ACCESSORIES

Quan.	Cat. No.	Name of Part	Quan.	Cat. No.	Name of Part
<b>AIR102 ACCESSORIES FOR JB6-38A</b>			<b>AIR113 ACCESSORIES FOR PB8-38A, PB8-38B</b>		
1	11X781	Vegetable Pan	1	A4R3	Chiller
1	A4R3	Chiller	6	A5R17	Freezing Trays with Flexible Dividers
4	A5R17	Freezing Trays with Flexible Dividers	1	A20R7	Separator Release
1	A20R7	Separator Release	1	A21R22	Set of Ovenware Dishes
1	A21R14	Thermometer	1	A21R52	Thermometer
			1	C20H67	Evaporator Shelf
<b>AIR104 ACCESSORIES FOR B6-38A</b>			<b>AIR116 ACCESSORIES FOR PB12-38A, PB16-38A</b>		
1	A4R3	Chiller	2	A4R3	Chillers
4	A5R17	Freezing Trays with Flexible Dividers	6	A5R17	Freezing Trays with Flexible Dividers
1	A20R7	Separator Release	1	A20R7	Separator Release
1	A21R88	Water Bottle	1	A21R22	Set of Ovenware Dishes
1	A21R52	Thermometer	1	A21R52	Thermometer
			1	A21R71	Dessert Tray
			1	A21R72	Cover for A21R71 Dessert Tray
<b>AIR105 ACCESSORIES FOR PB6-38A</b>			<b>AIR124 ACCESSORIES FOR M6-38A</b>		
1	A4R3	Chiller	1	A4R3	Chiller
4	A5R17	Freezing Trays with Flexible Dividers	4	A5R17	Freezing Trays with Flexible Dividers
1	A20R7	Separator Release	1	A20R7	Ice Tray Separator Release
1	A21R52	Thermometer	1	A21R52	Thermometer
1	A21R73	Set of Ovenware Dishes	1	A21R88	Water Bottle and Cap
			1	A21R127	Cap for Water Bottle
			1	NP71676	Escutcheon Plate
<b>AIR106 ACCESSORIES FOR B5-38A</b>			<b>AIR125 ACCESSORIES FOR M8-38A</b>		
1	A4R4	Chiller	1	A4R3	Chiller
3	A5R17	Freezing Trays with Flexible Dividers	6	A5R17	Freezing Trays with Flexible Dividers
1	A20R7	Separator Release	1	A20R7	Ice Tray Separator Release
1	A21R88	Water Bottle	1	A21R52	Thermometer
1	A21R52	Thermometer	1	A21R88	Water Bottle and Cap
			1	A21R127	Cap for Water Bottle
			1	NP71676	Escutcheon Plate
			1	C20H67	Evaporator Shelf
<b>AIR107 ACCESSORIES FOR JB5-38A</b>			<b>AIR126 ACCESSORIES FOR PB7-38A</b>		
1	11X781	Vegetable Pan	1	A4R3	Chiller
1	A4R4	Chiller	6	A5R17	Freezing Trays with Flexible Dividers
3	A5R17	Freezing Trays with Flexible Dividers	1	A20R7	Ice Tray Separator Release
1	A20R7	Separator Release	1	A21R52	Thermometer
1	A21R88	Water Bottle	1	A21R88	Water Bottle and Cap
1	A21R14	Thermometer	1	A21R127	Cap for Water Bottle
			1	NP71676	Escutcheon Plate
			1	C20H67	Evaporator Shelf
<b>AIR108 ACCESSORIES FOR PB5-38A</b>			<b>AIR127 ACCESSORIES FOR JB3-38A, BY4-38A</b>		
1	A4R4	Chiller	1	A4R6	Chiller
3	A5R17	Freezing Trays with Flexible Dividers	1	11X787	Freezing Tray
1	A20R7	Separator Release	1	A5R16	Freezing Tray
1	A21R52	Thermometer	1	A20R2	Ice Tray Lifter
1	A21R73	Set of Ovenware Dishes			
			<b>AIR128 ACCESSORIES FOR RC4-38A</b>		
<b>AIR110 ACCESSORIES FOR B7-38A, B7-38B B8-38A, B8-38B</b>			1	A4R4	Chiller
1	A4R3	Chiller	2	11X787	Freezing Trays
6	A5R17	Freezing Trays with Flexible Dividers	1	A20R2	Ice Tray Lifter
1	A20R7	Separator Release	1	A21R4	Vegetable Pan and Cover
1	A21R88	Water Bottle	1	A21R14	Thermometer
1	A21R52	Thermometer			
1	C20H67	Evaporator Shelf			
<b>AIR111 ACCESSORIES FOR JB7-38A, JB7-38B</b>					
1	11X781	Vegetable Pan			
1	A4R3	Chiller			
4	A5R17	Freezing Trays with Flexible Dividers			
1	A20R7	Separator Release			
1	A21R14	Thermometer			

Always Give Catalog Number

# ACCESSORIES

Quan.	Cat. No.	Name of Part	Quan.	Cat. No.	Name of Part
<b>AIR129 ACCESSORIES FOR JB6-37B, JB6-37C</b>			<b>AIR139 ACCESSORIES FOR B5-39A</b>		
1	A4R3	Chiller	1	A2IR117	Cold Storage Tray
4	A5R9	Freezing Tray with Flexo Grid	1	H18A155	Trim for A2IR117
1	A2OR2	Ice Tray Lifter	1	A2IR118	Cover for A2IR117
1	A2IR4	Vegetable Pan and Cover	1	A2OR10	Rack for A2IR117
1	A2IR14	Thermometer	3	A5R17	Freezing Trays with Flexible Dividers
<b>AIR130 ACCESSORIES FOR RC5-38A</b>			1	A2OR7	Ice Tray Separator Release
1	A4R4	Chiller	1	A2IR88	Water Bottle and Cap
2	11X787	Freezing Trays	1	A2IR127	Cap for Water Bottle
1	A2OR2	Ice Tray Lifter	1	A2IR87	Thermometer
1	A2IR4	Vegetable Pan and Cover	<b>AIR140 ACCESSORIES FOR PB5-39A</b>		
1	A2IR14	Thermometer	1	A2IR117	Cold Storage Tray
<b>AIR131 ACCESSORIES FOR RC6-38A</b>			1	H18A155	Trim for A2IR117
1	A4R3	Chiller	1	A2IR118	Cover for A2IR117
4	A5R9	Freezing Trays with Flexo Grid	1	A2OR10	Rack for A2IR117
1	A2OR2	Ice Tray Lifter	3	A5R17	Freezing Trays with Flexible Dividers
1	A2IR4	Vegetable Pan and Cover	1	A2OR7	Ice Tray Separator Release
1	A2IR14	Thermometer	1	A2IR89	Set of Ovenware Dishes
<b>AIR132 ACCESSORIES FOR E5</b>			1	A2IR87	Thermometer
1	A4R3	Chiller	<b>AIR141 ACCESSORIES FOR LB6-39A, LB6-39C</b>		
2	11X349	Freezing Trays with Covers	1	A4R3	Chiller
4	A2R1	Gliders	3	A5R16	Freezing Trays with rigid Dividers
<b>AIR133 ACCESSORIES FOR JB6-39A, JB6-39B</b>			1	A2OR4	Ice Tray Lifter
1	A4R3	Chiller	<b>AIR142 ACCESSORIES FOR JB5-39A, JB5-39B</b>		
4	A5R17	Freezing Trays with Flexible Dividers	1	A4R4	Chiller
1	A2OR7	Ice Tray Separator Release	3	A5R17	Freezing Trays with Flexible Dividers
1	11X781	Vegetable Pan and Cover	1	A2OR7	Ice Tray Separator Release
1	A2IR14	Thermometer	1	11X781	Vegetable Pan and Cover
<b>AIR134 ACCESSORIES FOR B6-39A, B6-39A</b>			1	A2IR14	Thermometer
1	A2IR85	Cold Storage Tray	<b>AIR148 ACCESSORIES FOR JB4-39A</b>		
1	H18A154	Trim for A2IR85	1	A4R7	Chiller Tray
1	A2IR86	Cover for A2IR85	2	A5R17	Freezing Trays with Flexible Dividers
1	A2OR9	Rack for A2IR85	1	A2OR7	Ice Tray Separator Release
4	A5R17	Freezing Trays with Flexible Dividers	1	A2IR14	Thermometer
1	A2OR7	Ice Tray Separator Release	<b>AIR150 ACCESSORIES FOR BY4-39A, JB3-39A, B3-39A</b>		
1	A2IR80	Dessert Pan and Cover	1	A4R7	Chiller
1	A2IR88	Water Bottle and Cap	2	A5R17	Freezing Trays with Flexible Dividers
1	A2IR127	Cap for Water Bottle	1	A2OR7	Ice Tray Separator Release
1	A2IR87	Thermometer	<b>AIR152 ACCESSORIES FOR PB12-39A, PB12-39B PB16-39B</b>		
<b>AIR135 ACCESSORIES FOR PB6-39A, PB8-39A</b>			1	A2IR85	Cold Storage Tray
1	A2IR85	Cold Storage Tray	1	H18A154	Trim for A2IR85
1	H18A154	Trim for A2IR85	1	A2IR86	Cover for A2IR85
1	A2IR86	Cover for A2IR85	1	A2OR9	Rack for A2IR85
1	A2OR9	Rack for A2IR85	1	A4R3	Chiller
4	A5R17	Freezing Trays with Flexible Dividers	6	A5R17	Freezing Trays with Flexible Dividers
1	A2OR7	Ice Tray Separator Release	1	A2OR7	Ice Tray Separator Release
1	A2IR80	Dessert Pan and Cover	1	A2IR71	Dessert Tray
1	A2IR89	Set of Ovenware Dishes	1	A2IR72	Cover for Dessert Tray
1	A2IR87	Thermometer	1	A2IR89	Set of Ovenware Dishes
			1	A2IR87	Thermometer

Always Give Catalog Number



# ACCESSORIES

Quan.	Cat. No.	Name of Part	Quan.	Cat. No.	Name of Part
<b>AIX1 SET NEW STYLE HARDWARE FOR PS-95 OR P-110</b>			<b>A21R73 SET OF OVENWARE DISHES (CONTINUED)</b>		
1	11X716	Latch	1	A21R37	Butter Dish Cover
1	11X717	Latch	1	A21R38	Water Jug
4	11X721	Hinges	1	A21R39	Water Jug Stopper
1	H14X53	Strike	1	A21R40	Water Jug Stopper Cork
<b>AIX2 SET NEW STYLE HARDWARE FOR PS-13 OR P-134</b>			<b>A21R89 SET OF OVENWARE DISHES</b>		
1	11X716	Latch	1	A21R24	Storage Bowl
1	11X717	Latch	1	A21R25	Storage Bowl Cover
4	11X727	Hinges	1	A21R26	Storage Bowl
1	H14X53	Strike	1	A21R27	Storage Bowl Cover
<b>AIX3 ACCESSORIES FOR HE-3 AND HE-3K</b>			1	A21R28	Storage Bowl
2	11X349	Freezing Trays with Covers	1	A21R29	Storage Bowl Cover
1	A4A1	Chiller	1	A21R30	Mixing Bowl
<b>A21R22 SET OF OVENWARE DISHES</b>			1	A21R31	Mixing Bowl Cover
1	A21R24	Storage Bowl	1	A21R32	Mixing Bowl
1	A21R25	Storage Bowl Cover	1	A21R33	Mixing Bowl Cover
1	A21R26	Storage Bowl	1	A21R36	Butter Dish
1	A21R27	Storage Bowl Cover	1	A21R37	Butter Dish Cover
1	A21R28	Storage Bowl	1	A21R131	Water Jug with Stopper and Cork
1	A21R29	Storage Bowl Cover	1	A21R90	Water Jug Only
1	A21R30	Mixing Bowl	1	A21R91	Water Jug Stopper
1	A21R31	Mixing Bowl Cover	1	A21R92	Water Jug Stopper Cork
1	A21R32	Mixing Bowl	<b>ACCESSORIES FOR LBC6-39A</b>		
1	A21R33	Mixing Bowl Cover	1	A4R3	Chiller Tray
1	A21R34	Mixing Bowl	1	A5R10	Freezing Tray (large) with rigid dividers
1	A21R35	Mixing Bowl Cover	2	A5R16	Freezing Tray (small) with rigid dividers
1	A21R36	Butter Dish	1	A5X10	Snapout Freezing tray
1	A21R37	Butter Dish Cover	1	A20R4	Freezing tray lifter
1	A21R38	Water Jug	1	11X781	Vegetable pan and cover
1	A21R39	Water Jug Stopper	1	A21R8	Fruit Basket
1	A21R40	Water Jug Stopper Cork	1	A21R150	Set of Dishes
<b>A21R73 SET OF OVENWARE DISHES</b>			1	A21R152	Water Jug
1	A21R24	Storage Bowl	1	A21R153	Butter Dish
1	A21R25	Storage Bowl Cover	1	A21R154	Cover for A21R153
1	A21R26	Storage Bowl	1	A21R155	Green Dish (9" X 5")
1	A21R27	Storage Bowl Cover	1	A21R156	Clear Cover for A21R155
1	A21R28	Storage Bowl	2	A21R157	Green Dish (5" X 4 3/8")
1	A21R29	Storage Bowl Cover	2	A21R158	Clear Cover for A21R157
1	A21R30	Mixing Bowl	1	A21R159	Red Bowl (7" dia.)
1	A21R31	Mixing Bowl Cover	1	A21R160	Clear Cover for A21R159
1	A21R32	Mixing Bowl	3	A21R161	Red Bowl (5 1/2" dia.)
1	A21R33	Mixing Bowl Cover	3	A21R162	Clear Cover for A21R161
1	A21R36	Butter Dish	<b>ACCESSORIES FOR LB6B, LB6-39B</b>		
			1	A4R3	Chiller Tray
			4	A5R16	Freezing trays with rigid dividers
			1	A20R4	Freezing tray lifter

NOTE: ACCESSORIES FOR 1940 AND LATER MODEL CABINETS ARE SHOWN WITH THE CABINET IN THE CABINET SECTION.

Always Give Catalog Number

## Accessories as Furnished with Various Units

### CHILLERS

Cat. No.	Approx. Size	Units Furnished With	Cat. No.	Approx. Size	Units Furnished With
11X4	2½x9¾x14¾	DR-2E, DRB-3, DR-3, DRA-4	A4R3	2½x11¾x14¾	CA-1A, CA-1B, CA-2A, CA-2B, CD-3, CB-3D, CF-2B, CK-2B, CK-30B, CK-30C, CK-35C, CM-33, CK-26A, CK-28A, CF-2D, CF-2C, CK-2C, CK-30D, CK-35D, CF-2E, CF-28A, CE-34A, CK-26B, CK-28B, CF-2G, CF-2H, CF-28D, CJ-2A, CJ-2C, CJ-2E
11X110	2x9¾x12¾	DRA-2	A4R4	2x6-7/8x14¾	CF-1C, CG-1B, CK-1C, CK-15A, CF-1D, CF-1E, CD-1F, CD-2F, CF-1G
11X120	2x8¾x10¾	DR-1A	A4R5	1½x10-3/8x14¾	CJ-1A, CH-1A
11X353	2x11x12½	DR-1B, DRA-2A, D-15	A4R6	1½x10-3/8x13¾	CH-1B, CJ-1B, CE-140A
11X366	2x10¾x11¾	SD-40	A4R7	1½x11¾x13-3/8	CH-1D, CH-1E, CJ-1C, CJ-1D, CJ-1E, CE-140B, CE-140C, CE-140D (Use H31A62)
11X634	2½x10¾x15¼	D-35A, DR-35A, D-40, DRE-3, DRE-4	A4R8	2x6-7/8x14¾	CF-1H
11X635	2x9-3/8x15¾	D-30A	A4R9	2x7x13¾	FBA-1A
A4A1	2x8x14¼	D-35B, DR-35B, D-40E, CB-1, CB-2, CD-1, CD-2, CD-11, CF-1B, CK-1B, CK-35B, CK-35C, CM-1, CM-32, CM-35, CM-311, CK-35D	A4R11	2-1/8x11-3/8x13¾	CJ-2B, CJ-2D
A4A2	2x9x14¾	DRB-31B, CB-3	A4X3	2x7½x13¾	CK-1B, CK-1C, DR-1E, DR-1F in G-35 or G-40 Cabinet
A4H1	2x6-3/8x13½	CG-1A			
A4H2	2x6½x12¾	DK-1A			
A4R2	2½x9-5/8x17-1/8	CM-34, CE-34M			
A4R3	2½x11¾x14¾	DR-2F, D-2, DRB-31A, D-31A, D-30E, D-30F, CM-2			

### FREEZING TRAYS

Cat. No.	Description	Approx. Size	Units Furnished With
11X104	Deep Tray with Cover (Use 11X107)	3x5¾x10	DR-2E, DR-3, DRB-3, DRA-4
11X105	Deep Tray with Cover (Use 11X107)	3x5¾x9	DRA-2
11X106	Shallow Tray without Cover (Use 11X107)	1¾x5¾x10	DR-2E, DR-3, DRB-3, DRA-4
11X107	Shallow Tray without Cover	1¾x5¾x9	DRA-2, DR-1A
11X349	Shallow Tray with Cover (Use 11X787)	2-1/8x4x11-5/8	DR-2F, D-2, DRB-31A, D-31A, CB-1, CM-1, CM-2, D-30E, D-30F, CA-2A
11X354	Shallow Tray without Cover (Use A5H1)	2x3¾x9¾	DR-1B, SD-40, DRA-2A, D-15
*11X632	Deep Tray (Double Dividers, Partition and Cover)	3x5-1/8x12	D-30A, D-35A, D-40, DR-35A
11X684	Du-Flex Rub-Bar	2x3¾x8	DRA-2A, DR-1B, D-15
11X685	Du-Flex Rub-Bar	2x4-1/8x10	DR-2F, D-2, DRB-31A, D-31A, CA-2A, CA-2B, CE-34M, CK-26A, CK-28A, CF-2D, CK-30B, CK-30C, CK-30D, CF-2B, CF-2C, CK-2B, CK-2C, CK-35C, CM-33, CM-34, CK-35D, D-30A, DR-35A, D-35A, D-40
11X686	Du-Flex Rub-Bar	2x5-1/8x10	D-30A, DRE-3, DRE-4, D-35A, DR-35A, D-40, DRF-4, D-46
11X748	Shallow Tray without Cover (Use A5R23)	1¾x5-1/8x12	DR-2F, D-2, DRB-31A, D-31A, CA-1A, CA-1B, CA-2A, CA-2B, CK-30B, CD-1, CD-2, CD-3, CD-11, CJ-1A, CH-1B, CJ-1B, CE-140A
11X787	Shallow Tray without Cover	2-1/8x4x11-5/8	CB-2, CK-35B, CM-35
A5A1	Shallow Tray without Cover	1¾x4x11-5/8	D-35B, DR-35B, D-40E
A5A2	Shallow Tray with Cover (Use 11X787)	1¾x4x11-5/8	LK-1A, LK-1B, LK-2A
A5H1	Shallow Tray without Cover	2x3¾x7-1/8	CB-1, CB-2, DR-35B, D-40E, CM-35, D-35B
A5R3	Shallow Tray with Cover and Flexo Grid (Use 11X787)	2-1/8x4x11-5/8	CB-3, DRB-31B
A5R4	Shallow Tray with Cover (Use A5R23)	1¾x5-1/8x12	CB-3, DRB-31B
A5R5	Shallow Tray with Cover and Flexo Grid	1¾x5-1/8x12	CA-1A, CA-1B, CA-2A, CA-2B, CK-30B, CK-35B, CD-1, CD-2, CD-3, CD-11
A5R7	Shallow Tray with Flexo Grid without Cover (Use 11X787)	2-1/8x4x11-5/8	CB-3D, CF-1B, CF-1C, CF-2B, CG-1A, CG-1B, CK-2B, CK-2C, CK-35C, CM-32, CM-33, CM-34, CM-311, DK-1A, CK-35D, CE-34M, CK-26A, CF-1D, CF-2D
A5R8	Shallow Tray without Cover (2 lb.) (Use A5R23)	1½x4½x11¾	CF-1B, CF-1C, CG-1B, CK-2C, CK-35C, CM-32, CM-311, CK-35D, CK-26A, CF-1D, CF-2D, CF-2E, CD-3F
A5R9	Shallow Tray with Flexo Grid without Cover (2 lb.) (Use A5R23)	1½x4½x11¾	CF-1B, CF-1C, CF-2B, CF-2C, CK-1B, CK-1C, CK-2B, CK-2C, CK-15A, CK-30C, CK-30D, CF-1D, CF-2D, CK-28A, CK-35C, CM-32, CM-33, CM-34, CK-35D, CE-34M
A5R10	Deep Tray without Cover (3 lb.) (Use A5R23)	2-3/8x4½x11¾	CF-1B, CF-1C, CF-2C, CK-1B, CK-1C, CK-2C, CK-15A, CK-30D, CM-32, CM-34, CE-34M, CK-28A
A5R11	Deep Tray with Flexo Grid without Cover (3 lb.) (Use A5R23)	2-3/8x4½x11¾	CM-34, CE-34M
A5R15	Deep Tray with Cover (Use A21R71)	3¼x9½x11¾	CJ-1B, CE-140A, CF-2G, CF-2H
A5R16	Quick Tray with Rigid Grids	1½x4½x11¾	CF-1E, CF-2E, CF-28A, CF-1G, CF-2G, CF-28C, CJ-1C, CE-140B, CH-1C, CE-34A, CH-1D, CJ-1D, CE-140C, CF-1H, CF-2H, CF-28D, CF-11A, CF-21A, CF-22A, CE-34D, FBA-1A
**A5R17	Quick Tray with Flexible Grids (Use A5R23) (Tray only - A5R19, Grid only - A5R18)	1½x4½x11¾	

Always Give Catalog Number

# Accessories as Furnished with Various Units

## FREEZING TRAYS (CONTINUED)

Cat. No.	Description	Approx. Size	Units Furnished With
A5R23	Quick Tray with Flexible Grids (Tray only - A5R25, Grid only - A5R26).....	1/2x4 1/2x11 1/2	CH-1E, CJ-1E, CE-140D, FBA-1A, CJ-2A,B, C,D,E, CF-2J, CF-28E, CF-22C, CE-34E
A5R29	Dessert Tray with Separator and Grids (Tray only - A5R28, Grid only - A5R26) (Separator only - A5R30)	1 1/8x8 1/2x11 1/2	CF-2J, CF-22C, CE-34E
A5R31	Freezing Tray .....	2x4-3/8x11 1/2	CJ-2A
**A21R71	Dessert Tray without Cover.....	3 1/4x9 1/2x11 1/2	CE-34A
A21R80	Dessert Tray with Cover..... (Tray only - A5R32)	1-5/8x7-1/8x11-3/8	CF-2G, CF-28C, CF-21A, CF-22A, CE-34D

\* Partition for 11X632 Tray between Sets of Dividers is 11X749.

\*\* Parts are available for the grids: A5R20 - Separator with triangular spacer; A5R21 - Separator with rectangular spacer; A5R22 - Connecting link.

\*\*\* Cover for A21R71 Tray is Cat. A21R72.

## CONNECTING CORD AND PLUG

Cat. No.	Units Furnished With	Cat. No.	Units Furnished With
11X253	DR-2F, D-2, D-30A, D-30E, D-30F, D-31A, DRB-31A, DRB-31B, DRE-3, D-35A, DR-35A, DR-35B, D-35B	A3H5	CJ-1B, CJ-1C, CJ-1D, CJ-1E, CE-140A, CE-140B, CE-140C, CE-140D
11X355	DR-1A, DR-1B, SD-40, D-15	A3H6	CF-2E, CF-2G, CF-2J, CF-28A, CF-28C, CF-28D, CF-28E, CF-22A
11X503	DRA-2, DRA-2A, DR-2E, DRB-3, DR-3, DRA-4, DRE-4, D-40, D-40E, DRF-4	A3H7	CF-1E, CF-1G, CF-1H, CF-11A (Use A3H6)
58X26	CA-1A, CA-1B, LK-1A	A3H8	CE-34A, CE-34B
58X140	CA-1B, CA-2A, CA-2B	A3H9	CE-340A, CE-340B
62X785	D-2 or DR-2F in HX-70A or HT-70A Cabinet	A3H11	CH-1B, CH-1C, CH-1D, CH-1E
A3H1	CK-30B, CK-35B	A3H12	CK-26B, CK-28B
A3H2	CA-2 Unit with S-67 Cabinet	A3H13	CF-2H, CF-21A, CJ-2A, B, C, D, E
A3H3	CK-1B, CK-1C, CK-1D, CK-2B, CK-2C, CK-2D, CK-15A, CK-30C, CK-30D, CK-30E, CK-35C, CK-35D, CK-35E, CK-26A, CK-28A	A3H14	CE-34D, CE-34E
A3H4	CF-1B, CF-1C, CF-2B, CF-2C, CF-1D, CF-2D, CH-1A, CJ-1A	A3H16	FBA-1A
		A3H17	CF-22C
		1GC2D10	D-30A, D-30E or D-30F Units with T-9A Cabinets

49X383 Plug for Light Socket on 58X140, 62X785, A3H1, A3H3 or 1GC2D10 Cords

## FLEXO GRIDS

Cat. No.	Trays Furnished With	Can Be Used With
A5R2	A5R3 and A5R7	11X349 and 11X787
A5R6	A5R5	A5R4 and 11X748
A5R13	A5R9	A5R8
A5R14	A5R11	A5R10

## FREEZING TRAY SUPPORTS

Cat. No.	Furnished With
11X3	DR-2 and DR-3 using Square Corner Trays
11X108	11X104 and 11X106 Trays
11X109	11X105 and 11X107 Trays

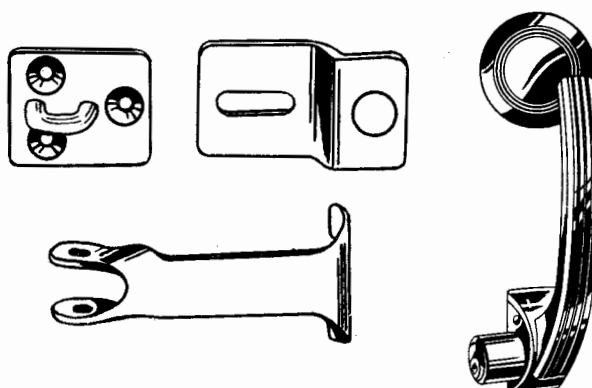
## GLIDERS

Cat. No.	Furnished With
11X14	Domestic Cabinets
11X251	SD-40
A2R1	E-5, HE-4A, HE-4B, HE-5A, HE-7A, X-3A, X-4A, X-4B, M-4A, SM-66B, SM-66C
A2R9	B4-37A,B B-4-38A,B PB4-37A, PB4-38A, JB3-38A, RC4-38, JB3-39A, JB4-39A, LB3A, LB3-40A
A2R10 } A2R11 }	M6-37, M8-37, M6-38, M8-38
A2R12	PB12-38A, PB16-38A, PB12-39B, PB16-39B

Always Give Catalog Number

## ACCESSORIES

### CABINET LOCKING DEVICES



Illustrated above are reliable locking devices for installations requiring locked refrigerator cabinets. Three types of locking devices are available: the hooked arm type which fits over both latch and strike for use with W & C No. 615, No. 616, and No. 620 hardware; the hasp type which is mounted on the cabinet; and the tumbler lock type built into the latch escutcheon and used on B, PB, M and JB 1937, 1938, 1939 and 1940 Cabinets. It is installed by replacing the latch escutcheon with the new one incorporating the lock. A padlock is used with the first two types.

#### HOOKEO ARM TYPE

- 11X166 Locking Device with Padlock for W & C No. 615 Hardware
- 11X167 Locking Device with Padlock for W & C No. 616 Hardware
- 11X168 Locking Device with Padlock for W & C No. 620 Hardware

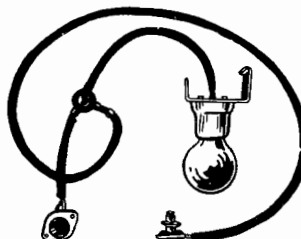
#### HASP TYPE

- H20A45 Locking Device with Padlock for use on all Household Cabinets

#### TUMBLER LOCK TYPE

- H20A236 Used with latch handle Cat. No. H15A46 and H15A62. (B, PB and M 1937 and 1938 Cabinets; JB 1939 Cabinets; BY 1939 and 1940 Cabinets; LB 1940 and 1941 Cabinets)
- H20A238 Used with latch handle Cat. No. H15A50. (JB 1937 and 1938 Cabinets; BY4-38 and LB6-39 Cabinets)
- H20A362 Used with latch handle Cat. No. H15A68. (B and PB 1939 cabinets; JB 1940 Cabinets)
- H20A410 Used with latch handle Cat. No. H15A74. (B and PB 1940 Cabinets)
- H15A101 Used with latch handle Cat. No. H15A86. (JB; B and PB 1941 cabinets)

#### H18A86 CABINET LIGHT SET



Cat. No. H18A86 covers an interior light set for refrigerator cabinets not equipped with interior lighting. Although developed especially for use with G.E. manufactured cabinets, this set can also be used on vendor manufactured cabinets by making slight alterations in the mounting bracket.

#### H20A404 CABINET LIGHT SET

Cat. No. H20A404 covers a cabinet light set for type LB6 Refrigerator Cabinet. It consists of a lamp receptacle and bracket, the top door jamb strip with door switch, and the necessary screws, washers, etc., for making the installation. Installation instructions are furnished with the set.

#### GENERAL ELECTRIC LIQUID WAX AND POLISH

General Electric Refrigerators should be periodically cleaned and polished with General Electric Liquid Wax. It protects the finish and keeps the cabinet looking like new. It is available in pint and gallon cans.

- A20R1 Cleaner Wax and Polish (1 pint)
- A20R3 Cleaner Wax and Polish (1 gal.)

# ACCESSORIES

## COLD STORAGE COMPARTMENT FOR OLDER MODEL CABINETS



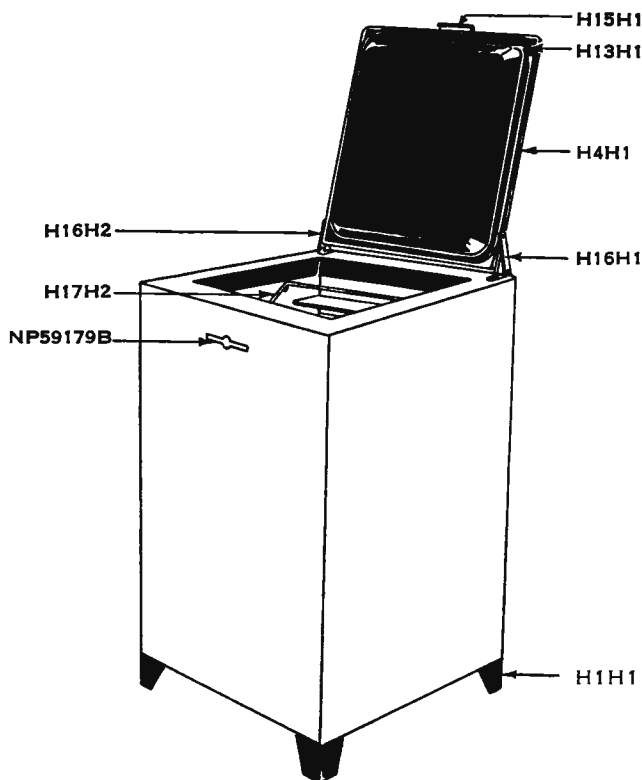
Modernize older model Refrigerators by installing a Cold Storage Compartment! The Models which can be modernized, and the parts required, are shown below:

Cabinet Models	Parts Required					
	1939 Compartment and Shelf			*1940 Compartment and Shelf		
	Quan.	Cat. No.	Description	Quan.	Cat. No.	Description
B5-38A PB5-38A	1 1 1 1	A21R117 A21R118 A20R10 H17A206	Cold Storage Tray Cover Rack Top Shelf	1 1 1 1	H31A47 H31A48 H31A49 H17A241	Cold Storage Tray Cover Rack Top Shelf (stainless steel)
JB6-37 JB6-38 JB6-39 LB6-39 LBC6-39 LB6B,C,D,E,F LB6-40 PLB6-40				1 1 1 1 1 2 2 2	H20A452 H17A312 H31A44 H18A175 H31A45 H31A46 H17A90 H17A122 H20A253	Cold Storage Compartment Accessory Shelf, Top Cold Storage Tray Trim for Cat. H31A44 Cover for Cold Storage Tray Rack for Cold Storage Tray Shelf Supports, Headed Shelf Supports, Straight (¾" long) Washers for Shelf Support
B6-37A PB6-37A M6-37A B6-38A PB6-38A M6-38A	1 1 1 1	A21R85 A21R86 A20R9 H17A201	Cold Storage Tray Cover Rack Top Shelf	1 1 1 1	H31A44 H31A45 H31A46 H17A235	Cold Storage Tray Cover Rack Top Shelf (stainless steel)
LB8-40				1 1 1 1 1 2 2 2	H20A453 H17A313 H31A44 H18A175 H31A45 H31A46 H17A90 H17A122 H20A253	Cold Storage Compartment Accessory Shelf, Top Cold Storage Tray Trim for Cat. H31A44 Cover for Cold Storage Tray Rack for Cold Storage Tray Shelf Supports, Headed Shelf Supports, straight (¾" long) Washers for Shelf Support
B8-37A PB8-37A M8-37A B8-38A and B PB8-38A and B M8-38A	1 1 1 1	A21R85 A21R86 A20R9 H17A210	Cold Storage Tray Cover Rack Top Shelf	1 1 1 1	H31A44 H31A45 H31A46 H17A249	Cold Storage Tray Cover Rack Top Shelf (stainless steel)
PB12-38A	1 1 1 1 1	A21R85 A21R86 A20R9 H17A218 H17A230	Cold Storage Tray Cover Rack Top Shelf (Left Side) Top Shelf (Right Side)	1 1 1 1 1	H31A44 H31A45 H31A46 H17A262 H17A261	Cold Storage Tray Cover Rack Top Shelf (Left Side)(Stainless steel) Top Shelf (Right Side)(Stainless steel)
PB16-38A	1 1 1 1 1	A21R85 A21R86 A20R9 H17A221 H17A231	Cold Storage Tray Cover Rack Top Shelf (Left Side) Top Shelf (Right Side)	1 1 1 1 1	H31A44 H31A45 H31A46 H17A276 H17A275	Cold Storage Tray Cover Rack Top Shelf (Left Side)(Stainless steel) Top Shelf (Right Side)(Stainless steel)

\* Since the 1940 top shelves for B and PB models are stainless steel they will not match the other shelves in older model refrigerators as well as the 1939 type shelves.

Always Give Catalog Number

## Model LK-1A and LK-1B—Cabinet Parts



A1H3†	Accessories
H1H1	Leg
H4H1	Top Cover
H13H1	Top Cover Gasket Complete with Clips
H15H1	Handle
H16H1	Hinge (Right)
H16H2	Hinge (Left)
H17H1	Shelf (Bottom)
H17H2	Shelf (Top)
H20H1	Hardware Screw
H20H2	Rubber Foot for H17H1 Shelf
H20H3	Cap Screw for Leg
H20H4	Screw for holding Outer Case to Hard Rubber Adapter
H20H5	Compressor Supporting Strip
H20H11	Screw for Nameplate Clip
H20H12	Clip for Cover Gasket
H20H13	Shelf Support for Inner Liner
154194	Lockwasher for H20H3
NP59179B	Nameplate Clip

† See Accessories Section for parts included.

## Model LK-2A—Cabinet Parts

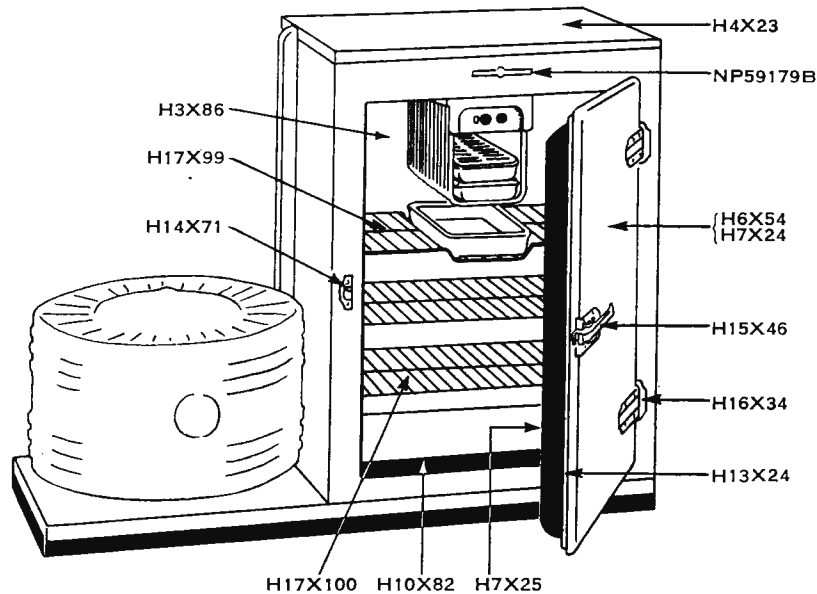
A1A4†	Accessories	H20H5	Compressor Supporting Strip
H1H1	Leg	H20H6	Eyelet for 58X257 Screw
H4H2	Top Cover (Porcelain)	H20H7	Check Assembly for Cover
H4H3	Top Panel for Cover	H20H8	Spring for H20H7 Check Assembly
H4H4	Bottom Panel for Cover	H20H9	Eye Bolt for H20H8 Spring
H4H5	Cover Frame (Front Strip)	H20H10	Tension Adjusting Nut for H20H7 Check Assembly
H4H6	Cover Frame (Back Strip)	H20H11	Screw for Nameplate Clip
H4H7	Cover Frame (Right Strip)	H20H13	Shelf Support for Inner Liner
H4H8	Cover Frame (Left Strip)	1X452	Lock Nut for H20H10 Nut
H4H9	Top Panel for Cover, Complete with Wood Frame	58X257	Screw for Attaching Bottom Plate to Cover
H5H1	Insulation for Cover	105113	Screw for Attaching Hinge to Cabinet or Cover Check Housing to Back of Cabinet
H11H1	Hinge Tapping Strip (Under Wood Strip)	128619	Screw for Attaching Check Bracket to Cover, Hinge to Cover, Check Housing to Top of Cabinet
H11H2	Cover Check Tapping Plate (Under Wood Strip)	150175	Screw for Attaching Cover Check Bracket to Cover
H13H2	Top Cover Gasket Complete	154194	Lockwasher for H20H3
H16H3	Hinge	NP59179B	Nameplate Clip
H17H1	Shelf (Bottom)		
H17H2	Shelf (Top)		
H20H2	Rubber Foot for H17H1 Shelf		
H20H3	Cap Screw for Leg		
H20H4	Screw for holding Outer Case to Hard Rubber Adapter		

† Refer to Accessories Section for parts included.

Special Accessories—Cat. H1H2 Gliding Device Assembly—Used with LK Refrigerators when installed under sink or drainboard.

Always Give Catalog Number

## DK-1A—Cabinet Parts

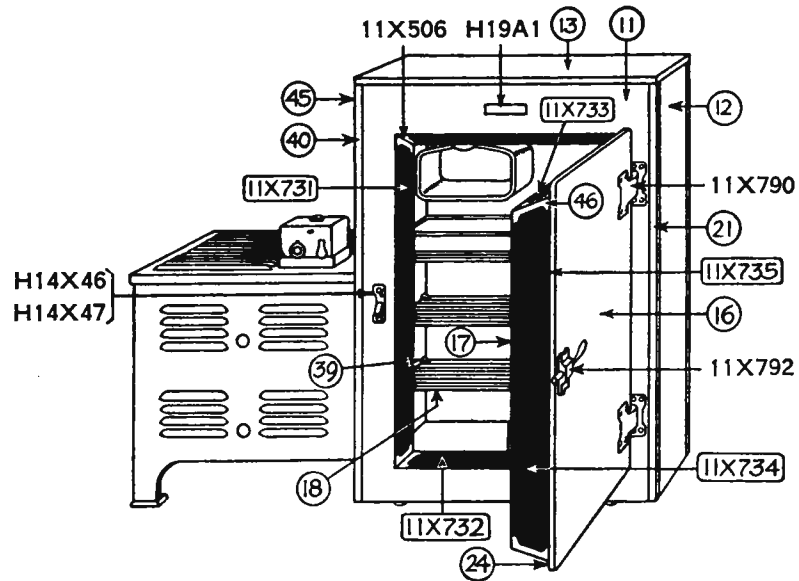


A1H6†	Accessories	H14X71	Strike
H3X86	Inner Liner	H15X46	Latch
H4X23	Aluminum Top Cover	H16X34	Hinge
H5X1	Cabinet Insulation (Set)	H17X99	Shelf (Top)
H6X54	Door Complete	H17X100	Shelf (Center or Lower)
H7X24	Outer Door Panel	H17X101	Shelf Support
H7X25	Inner Door Panel	H20X1	Screw for Nameplate Clip
H10X80	Door Jamb Strip (Top)	H20X2	Screw for Door Jamb Strip
H10X81	Door Jamb Strip (Vertical)	H20X3	Screw for Hardware ( $\frac{3}{4}$ " long)
H10X82	Door Jamb Strip (Bottom)	NP59179B	Nameplate Clip
H13X24	Rubber Door Gasket	H20X4	Screw for Hardware ( $1\frac{1}{2}$ " long)
		H20X5	Washer for Door Jamb Strip Screw

† Refer to Accessories Section for parts included.

Always Give Catalog Number

## SD-40—Cabinet Parts



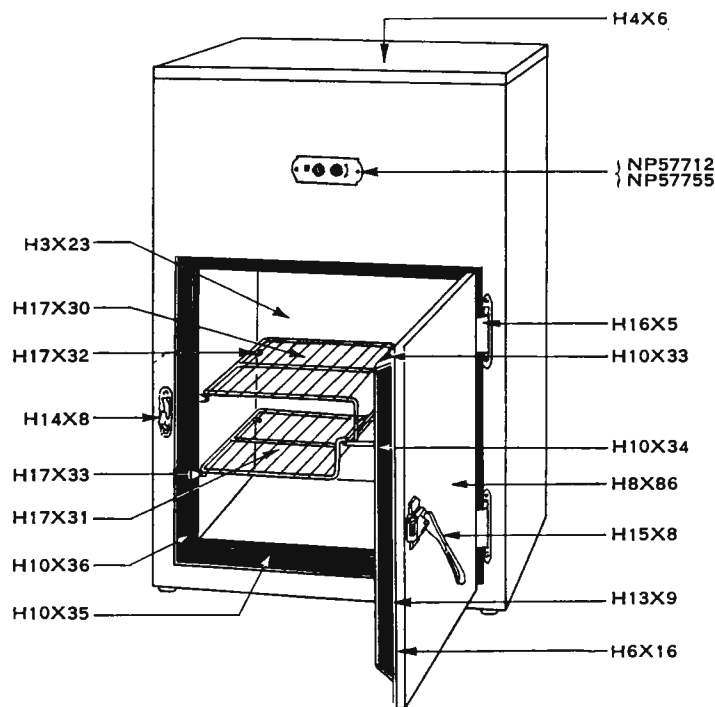
SD40-11	Front Panel	11X506	Door Jamb Corner
SD40-12	Side Panel (Open Side)	11X731	Door Jamb Strip (Vertical)
SD40-45	Side Panel (Unit Side)	11X732	Door Jamb Strip (Horizontal)
SD40-13	Top Cover for Cabinet	11X733	Door Strip (Horizontal)
SD40-16	Outer Door Panel	11X734	Door Strip (Vertical)
SD40-17	Inner Door Panel	11X735	Door Gasket
SD40-21	Metal Stile (Open Side)	11X790	Hinge
SD40-40	Metal Stile (Unit Side)	11X792	Latch (Right or Left)
SD40-24	Complete Door	H14X46	Strike (Right Hand)
SD40-39	Shelf Hook	H14X47	Strike (Left Hand)
SD40-46	Door Corner	H17X140	Shelf
11X361†	Accessories		

† Refer to Accessories Section for parts included.

Always Give Catalog Number



## Model HE-3A and HE-3K—Cabinet Parts



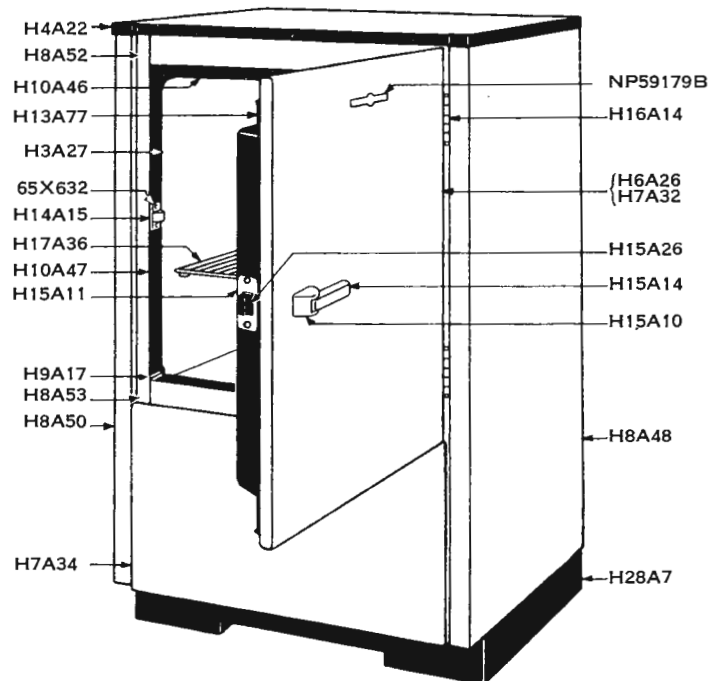
Name of Part	HE-3A	HE-3K
†Ventilating Accessories		A1A25
†Accessories	A1X3	A1X3
Inner Liner	H3X23	H3X23
Aluminum Cover	H4X6	
Door Complete	H6X16	H6X16
Inner Door Panel	H7X10	H7X10
Outer Door Panel	H8X86	H8X86
Door Strip (Horizontal)	H10X33	H10X33
Door Strip (Vertical)	H10X34	H10X34
Door Jamb Strip (Horizontal)	H10X35	H10X35
Door Jamb Strip (Vertical)	H10X36	H10X36
Rubber Door Gasket	H13X9	H13X9

† Refer to Accessories Section for parts included.

Name of Part	HE-3A	HE-3K
Strike	H14X8	H14X8
Latch	H15X8	H15X8
Hinge	H16X5	H16X5
Shelf (Upper)	H17X30	H17X30
Shelf (Lower)	H17X31	H17X31
Shelf Support	H17X32	H17X32
Shelf Support (Lower Left Front)	H17X33	H17X33
Ventilating Duct	H12X16	C13A38
Cover Plate		C13A39
Toe Spacer		K3X3
Escutcheon Plate (Non-Defrost)	NP57712	NP57712
Escutcheon Plate (Defrost)	NP57755	NP57755

Always Give Catalog Number

## F-3A—Cabinet Parts

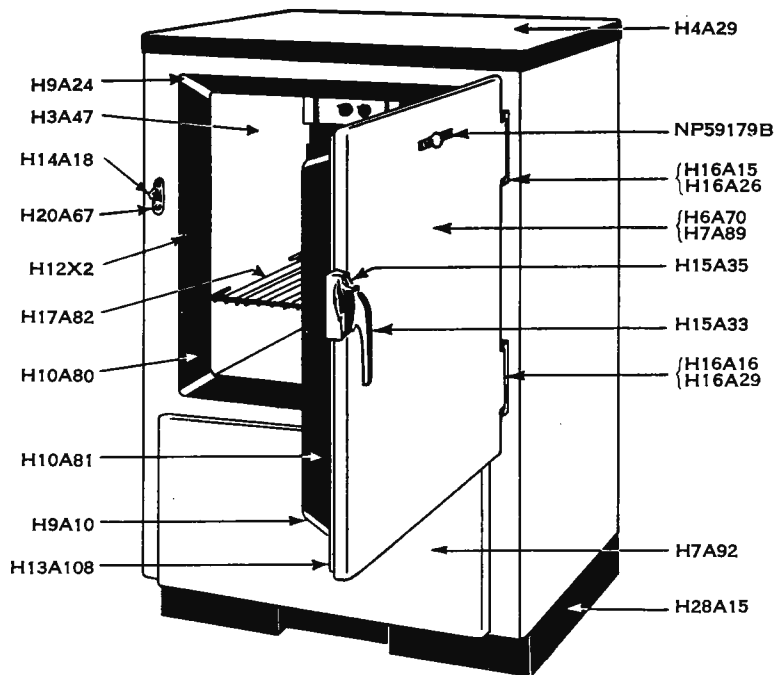


A1R33†	Accessories	H13A79	Soft Rubber Gasket for Cover
C20A82	Rubber Gasket Between Inner Liner Cover and Washer	H14A15	Strike
C20A83	Washer for C20A109 Screw	H15A10	Escutcheon Plate for Latch Handle
C20A86	Spacer between Evaporator and Inner Liner Cover	H15A11	Escutcheon Plate for Latch Bolt
C20A109	Screw fastening Evaporator to Inner Liner Cover	H15A14	Latch Handle
H3A22	Inner Liner Cover	H15A26	Latch Case with Bolt and Spring, Gasket and Nut
H3A27	Inner Liner with Shelf Supports	H15A44	Spring for Latch Case
H4A22	Top Cover for Cabinet	H16A14	Hinge
H5A49	Cabinet Insulation (Set)	H17A1	Shelf Support (Straight)
H5A50	Insulation for Refrigerating Machine Compartment Door	H17A3	Shelf Support (Headed)
H5A51	Insulation for Refrigerating Machine Compartment Door Complete (Right-Hand Cabinet)	H17A35	Top Shelf
H6A26	Door Complete (Right-Hand Cabinet)	H17A36	Bottom Shelf
H6A27	Door Complete (Left-Hand Cabinet)	H18A3	Fiber Washer (1/2" O.D.) for H12A2 or H20A16 Screw
H7A31	Inner Door Panel (Right-Hand Cabinet)	H18A22	Washer for H20A22 or H20A15 Cap Screw
H7A73	Inner Door Panel (Left-Hand Cabinet)	H20A6	Screw for Nameplate Clip
H7A32	Outer Door Panel (Right-Hand Cabinet)	H20A14	Clip for Cover (Front)
H7A33	Outer Door Panel (Left-Hand Cabinet)	H20A15	Cap Screw fastening Refrigerating Machine Base to Cabinet Base
H7A34	Door Panel with Catches for Refrigerating Machine Compartment	H20A16	Screw fastening Inner Liner Cover to Inner Liner
H8A48	Outer Panel (Hinge Side—Right-Hand Cabinet)	H20A18	Clip for Cover (Back)
H8A49	Outer Panel (Hinge Side—Left-Hand Cabinet)	H20A22	Cap Screw fastening Cabinet to Base
H8A50	Outer Panel (Latch Side—Right-Hand Cabinet)	H20A42	Guard for Refrigerating Machine Compartment Door
H8A51	Outer Panel (Latch Side—Left-Hand Cabinet)	H20A61	Clip for Refrigerating Machine Compartment Panel
H8A52	Front Panel (Top)	H27A4	Base for Cabinet and Refrigerating Machine
H8A53	Front Panel (Bottom)	H28A7	Skirt for Base
H9A17	Door Jamb Corner	H29A3	Channel for Refrigerating Machine and Evaporator Connection Tubing
H10A46	Door Jamb Strip (except Strike Side)	13919	Nut for C20A109 Screw
H10A47	Door Jamb Strip (Strike Side)	153179	Fiber Washer (3/4" O.D.) for H20A16 Screw
H11A43	Hinge Tapping Strip for Door	465012	Washer for H20A16 Screw
H11A44	Latch Tapping Plate	1X452	Nut for H20A16 Screw
H11A45	Hinge Tapping Strip for Cabinet	6X814	Lockwasher for 13919 Nut
H12A2	Screw for Shelf Support	11X339	Screw for Skirt or Escutcheon Plate for Latch Bolt
H12A12	Screw for Cover Clip or Channel	65X629	Screw for Hinge
H13A76	Gasket between Escutcheon Plate for Latch Handle and Outer Door Panel	65X630	Screw for Door Jamb Strip or Inner Door Panel
H13A77	Rubber Door Gasket for Cabinet Door	65X631	Washer for 65X630 Screw
H13A78	Rubber Door Gasket for Refrigerating Machine Compartment Panel	65X632	Screw for Strike
		NP59179B	Clip for Nameplate

† Refer to Accessories Section for parts included.

Always Give Catalog Number

## KF-3A—Cabinet Parts



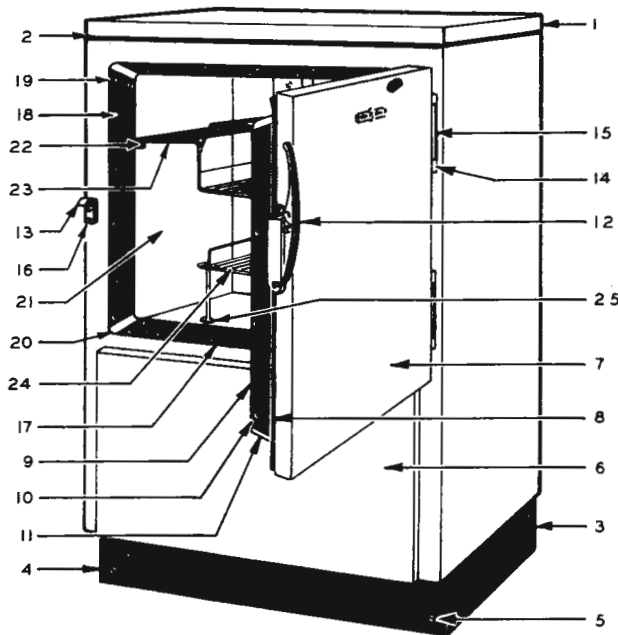
A1R60†	Accessories	H17A3	Shelf Support (Headed)
C20A81	Screw fastening Evaporator to Inner Liner Cover	H17A82	Shelf (Large)
C20A82	Rubber Washer between Inner Liner Cover and Washer	H17A83	Shelf (Small)
C20A83	Washer for C20A81 Screw	H18A3	Washer for H12A2 Screw
H3A28	Inner Liner Cover	H18A18	Washer (5/8" O.D.) for H12A9 or H20A15 Screws
H3A47	Inner Liner with Shelf Supports	H18A22	Washer (3/8" O.D.) for H12A9 Screw
H4A29	Top Cover	H18A92	Rivet for H11A20, H11A60, H11A47 or H11A65 Tapping Strips
H5A106	Cabinet Insulation (Set)	H20A4	Rivet for H11A66, H11A67, or H11A68 Tapping Strips
H5A107	Insulation for H6A72 Door	H20A6	Screw for Nameplate Clip
H6A70	Door Complete (Right-Hand Cabinet)	H20A15	Cap Screw for Refrigerating Machine
H6A71	Door Complete (Left-Hand Cabinet)	H20A18	Clip for Cover (Back)
H7A89	Outer Door Panel (Right-Hand Cabinet)	H20A20	Rubber Spacer for Channel
H7A90	Outer Door Panel (Left-Hand Cabinet)	H20A46	Clamp for Tubing
H7A91	Inner Door Panel	H20A47	Screw for Hinge
H7A92	Door Panel with Catches for Refrigerating Machine Compartment	H20A59	Spacer between Evaporator and Inner Liner Cover
H9A10	Door Corner	H20A60	Screw for H20A18, H20A120, H29A4, H20A46 or H20A61
H9A24	Door Jamb Corner	H20A61	Spring Clip for Refrigerating Machine Compartment Panel
H10A80	Door Jamb Strip	H20A62	Screw for H20A20 Spacer
H10A81	Door Strip	H20A67	Screw for Latch or Strike
H11A20	Tapping Strip for Hinge and Outer Case	H20A74	Fiber Washer for Inner Liner Cover Screw
H11A47	Tapping Strip for Door and Hinge	H20A75	Rubber Washer for Inner Liner Cover Screw
H11A49	Tapping Strip for Inner Liner Cover	H20A119	Shim for Strike
H11A60	Tapping Strip for Strike and Outer Case	H20A120	Clip for Cover (Front)
H11A65	Tapping Strip for Door and Latch	H20A121	Guard back of Refrigerating Machine Compartment Door
H11A66	Tapping Strip for Outer Case	H20A137*	Catch for Refrigerating Machine Compartment Panel
H11A67	Tapping Strip for Inner Liner	H20A138*	Washer for 11X339 Screw
H11A68	Tapping Strip for Outer Door Panel	H22A21	Insulation for Refrigerating Machine Compartment (Side)
H11A69	Tapping Strip for Inner Door Panel	H22A22	Insulation for Refrigerating Machine Compartment (Base)
H12A2	Screw for Shelf Support	H27A23	Base for Cabinet and Refrigerating Machine
H12A9	Cap Screw for Base and Cabinet	H28A15	Skirt for Base
H12X2	Screw for Door Jamb Strip, Door Strip or Inner Liner Cover	H29A4	Channel for Refrigerating Machine and Evaporator Connection
H13A107	Sealing Cover with Gasket		Tubing
H13A108	Rubber Door Gasket	13919	Nut for C20A81 Screw
H13A115	Gasket for Sealing Cover	153998	Screw for Tube Seal
H14A18	Strike	177811	Nut for H12A9 Screw
H15A33	Latch (Right-Hand Cabinet)	179789	Washer for 11X339 Screw
H15A34	Latch (Left-Hand Cabinet)	6X814	Lockwasher for 13919 Nut
H15A35	Escutcheon Plate for Latch	11X339*	Screw for Skirt, Guard or H20A137 Catch
H16A15	Hinge for use with Cover 3 1/8" long	29X705	Nut for 153998 Screw
H16A16	Cover for H16A15 Hinge	58X310*	Lockwasher for 11X339 Screw
H16A26	Hinge for use with Cover 3 1/4" long	71X263	Screw for Sealing Cover
H16A29	Cover for H16A26 Hinge	NP59179B	Clip for Nameplate
H17A1	Shelf Support (Straight)		

\* On first production the Catch for Refrigerating Machine Compartment Door was welded in position but later fastened to the door with screws.

† Refer to Accessories Section for parts included.

Always Give Catalog Number

## B3-37A, B3-38A and B3-39A—Cabinet Parts



REF. NO.	CATALOG NO.		NAME OF PART
	B3-37A	B3-38A B3-39A	
1.	HW443	HW443	TOP COVER FOR CABINET
2.	H13A171	H13A171	Gasket for Cat. HW443
	H20A234	H20A234	Clip for Top Cover, Front
	H20A162	H20A162	Clip for Top Cover, Back
	H20A86	H20A86	Screw for Cat. H20A234 (10-30)
	H20A60	H20A60	Screw for Cat. H20A162 or Refrigerant Line Sealing Plate (No. 8)
	69X893	69X893	Screw Fastening Condenser to Outer Case (No. 10)
	-	H20A243	Rubber Spacer for Back of Condenser
	-	H20A49	Screw for Cat. H20A243 (No. 8)
	-	80X132	Washer for Cat. H20A49
3.	H27A35	H27A39	BASE WITH SCREWS FOR CONDENSER
	279364	279364	Cap Screw Fastening Condenser to Base (5/16 in. -18)
	177811	177811	Nut for Cat. 279364
	H18A18	H18A18	Washer for Cat. 279364 (5/8 in. O.D.)
	279364	279364	Cap Screw Fastening Outer Case to Base (5/16 in. -18)
	177811	177811	Nut for Cat. 279364
	H18A22	H18A22	Washer for Cat. 279364 (7/8 in. O.D.)
	H20A15	261646	Cap Screw Fastening Refrigerating Machine to Base (5/16 in.-18)
	106775	-	Cap Screw Fastening Refrigerating Machine to Angle Support
	177811	177811	Nut for Cat. 106775 and 261646
	H18A18	-	Washer for Cat. H20A15 (5/8 in. O.D.)
	H18A22	H18A22	Washer for H20A15, 261646 and 106775 (7/8"O.D.)
4.	H28A28	H28A28	Skirt for Base
	11X339	11X339	Screw for Cat. H28A28 (10-30)
5.	179789	179789	Washer for Cat. 11X339
	H6A157	H6A157	LOWER DOOR PANEL
	H20A166	-	Spring Catch for Cat. H6A157 (Left-Hand Side)
	-	-	Spring Catch for Cat. H6A157 (Right-Hand Side)
	-	H20A241	Spring Clip for Cat. H6A157
	-	H20A174	Screw for Cat. H20A241 (10-30)
	-	165736	Washer for Cat. H20A174
	-	H20A242	Rubber Button Spacer for Cat. H6A157
	H20A181	H20A181	Support for Cat. H6A157
	58X337	H20A49	Screw for Cat. H20A181 (No. 8)
	-	H20A240	Washer for Cat. H20A49
	H20A182	-	Rubber Spacer for Cat. H20A181 Support
	-	H20A239	Catch for Spring Clip Cat. H20A241
	-	H20A60	Screw for Cat. H20A239 (No. 8)
7.	H6A155	H6A155	DOOR FOR RIGHT-HAND CABINET
	H6A156	H6A156	DOOR FOR LEFT-HAND CABINET
7.	H7A160	H7A160	Outer Door Panel (Right-Hand Cabinet)

REF. NO.	CATALOG NO.		NAME OF PART
	B3-37A	B3-38A B3-39A	
8.	H7A161	H7A161	Outer Door Panel (Left-Hand Cabinet)
	H13A170	H13A170	Door Gasket
9.	H10A105	H10A105	Door Strip, Top or Bottom
	H10A106	H10A106	Door Strip, Side
10.	H12X2	H12X2	Screw for Door Strip (10-30)
11.	H9A30	H9A30	Door Corner
	H7A159	H7A159	Inner Door Panel
12.	H15A57	H15A57	Latch with Handle for Right-Hand Cabinet
	H15A58	H15A58	Latch with Handle for Left-Hand Cabinet
13.	H14A21	H14A21	Strike for Latch Bolt
	H13A172	H13A172	Shim for Strike
14.	H16A37	H16A37	Hinge with End Covers
15.	H16A36	H16A36	Middle Cover for Hinge
16.	H20A47	H20A47	Screw for Latch, Strike or Hinge (12-28)
	NP67857B	NP67857B	Nameplate Clip
	H20A6	H20A6	Screw for Nameplate Clip (4-48)
17.	H10A107	H10A107	Door Jamb Strip, Top or Bottom
18.	H10A108	H10A108	Door Jamb Strip, Side
19.	H12X2	H12X2	Screw for Door Jamb Strip (10-30)
20.	H10A109	H10A109	Door Jamb Corner
21.	H3A84	H3A93	INNER LINER WITH SHELF SUPPORTS
	H20A192	H20A192	Top Plate
	H12X2	H12X2	Screw for Cat. H20A192 (10-30)
	H20A74	H20A74	Washer (Fiber) for Cat. H12X2
	H20A75	H20A75	Washer (Rubber) for Cat. H12X2
22.	H17A122	H17A122	Shelf Support, Straight
	H17A90	H17A90	Shelf Support, Headed
	H12A2	H12A2	Screw for Cat. H17A122 or H17A90 (1/4 in.-20)
	H20A110	H20A110	Rubber Plug for Inner Liner Cover
	H12X2	H12X2	Screw Fastening Inner Liner Cover to inner Liner (10-30)
	H20A74	H20A74	Washer (Fiber) for Cat. H12X2
	H20A75	H20A75	Washer (Rubber) for Cat. H12X2
	-	H20A98	Ice Tray Lifter Hook (B3-38A)
	-	H20A282	Bracket for Ice Tray Separator Release (B3-39A)
	-	H20A60	Screw for Cat. H20A282 (No. 8)
23.	-	H17A123	Shelf, Offset, Upper (B3-38A)
	H17A119	H17A126	Shelf, Offset, Upper (B3-37A and B3-39A)
24.	-	H17A124	Shelf, Lower (B3-38A)
24.	-	H17A127	Shelf, Lower (B3-39A)
25.	-	H17A125	Rubber Bumper for Cat. H17A124 and H17A127
	H5A170	H5A170	Cabinet Insulation (Set)
	H22A31	H22A31	Insulation for Lower Door Panel
	H5A171	H5A171	Insulation Between Inner Liner Cover and Top Cover
	A1R95	A1R100	*Accessories (B3-37A and B3-38A)
	-	A1R150	*Accessories (B3-39A)

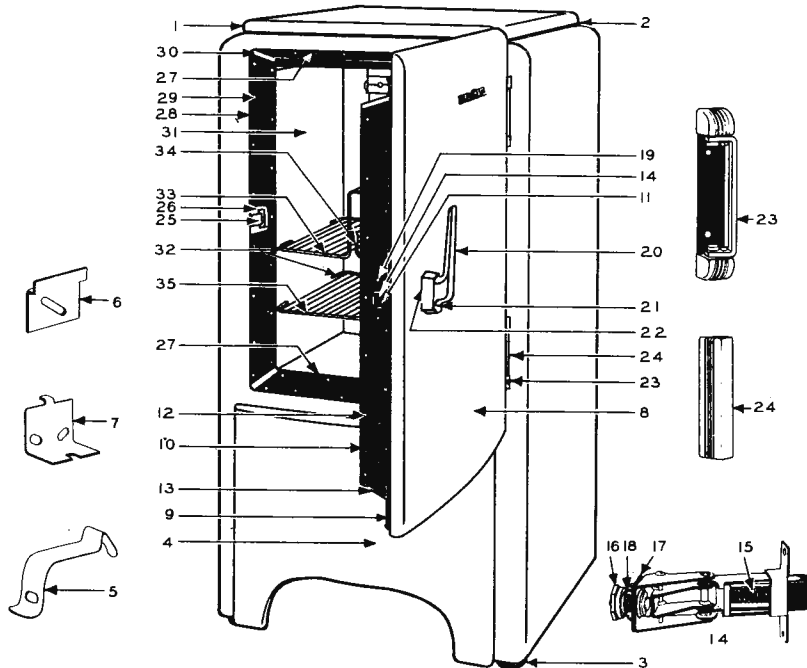
\*Refer to Accessories Section for Parts Included.

†Later Production B3-39A Cabinets used Cat. 105113 Screw (10-32) with Cat. 200384 Nut

•Later Production B3-39A Cabinets used Cat. 105136 Screw (10-32) with Cat. 200384 Nut and Cat. H20A380 Washer

Always Give Catalog Number

# JB3-38A, JB3-39A and JB3-39B—Cabinet Parts



Ref. No.	Catalog Number		Name of Part
	JB3-38A	JB3-39A JB3-39B	
1	H4A49	H4A49	TOP COVER FOR CABINET
2	H13A151	H13A151	Gasket for Top Cover
	H20A161	H20A336	Clip for Top Cover, Front
	H20A162	H20A162	Clip for Top Cover, Back
	H20A86	H20A86	Screw for H20A161 and H20A336 (10-30)
	H20A60	H20A60	Screw for H20A162, or Refrigerant Line Sealing Plate (No. 8)
	69X893	69X893	Screw Fastening Condenser to Outer Case, Upper (No. 10)
	165736	165736	Washer for 69X893 (5/8 in. O.D.)
	271318	271318	Screw Fastening Condenser to Outer Case, Lower (5/16 in.-18)
	H18A22	H18A22	Washer for 271318 (7/8 in. O.D.)
	177811	177811	Nut for 271318
	H20A243	H20A243	Rubber Spacer for Back of Condenser
	H20A62	H20A62	Screw Fastening Spacer to Condenser (No. 8)
	80X132	80X132	Washer for H20A62 (1/2 in. O.D.)
	261646	261646	Screw Fastening Refrigerating Machine to Angle Support (5/16 in.-18)
	H18A22	H18A22	Washer for 261646 (7/8 in. O.D.)
	177811	177811	Nut for 261646
3	A2R9	A2R9	Glider for Outer Case
	46X794	46X794	Cap Screw for Glider, Flat Head (1/4 in.-20 x 3/4 in.) (Early Production Cabinets)
	48X242	48X242	Cap Screw for Glider, Round Head (1/4 in.-20 x 7/8 in.) (Late Production Cabinets)
	H20A160	H20A160	Speed Nut for 46X794
4	H6A209	H6A209	LOWER DOOR PANEL
5	H20A245	H20A245	Spring Clip for H6A209
	H20A174	H20A174	Screw for H20A245 (10-30)
	165736	165736	Washer for H20A174 (5/8 in. O.D.)
	H20A242	H20A242	Rubber Button Spacer for H6A209
6	H20A181	H20A181	Support for H6A209
	H20A49	H20A49	Screw for H20A181 (No. 8)
	H20A240	H20A240	Washer for H20A49 (7/8 in. O.D.)
7	H20A239	H20A239	Catch for Spring Clip, Cat. H20A245
	H20A60	H20A60	Screw for H20A239 (No. 8)
8	H6A206	H6A206	DOOR FOR RIGHT-HAND CABINET (Except JB3-39B)
	H6A207	H6A207	DOOR FOR LEFT-HAND CABINET (Except JB3-39B)
8	H7A191	H7A191	Outer Door Panel for Right-Hand Cabinet (Except JB3-39B)
	H7A192	H7A192	Outer Door Panel for Left-Hand Cabinet (Except JB3-39B)
8	-	H7A266	Outer Door Panel for Right-Hand Cabinet (JB3-39B)
	-	H7A267	Outer Door Panel for Left-Hand Cabinet (JB3-39B)
9	H13A194	H13A194	Door Gasket
	H10A140	H10A140	Door Strip, Hinge Side
	H10A33	H10A33	Door Strip, Top or Bottom
10	H10A141	H10A141	Door Strip, Latch Side, with Escutcheon for Latch Bolt
11	H15A41	H15A41	Escutcheon for Door Strip and Latch Bolt

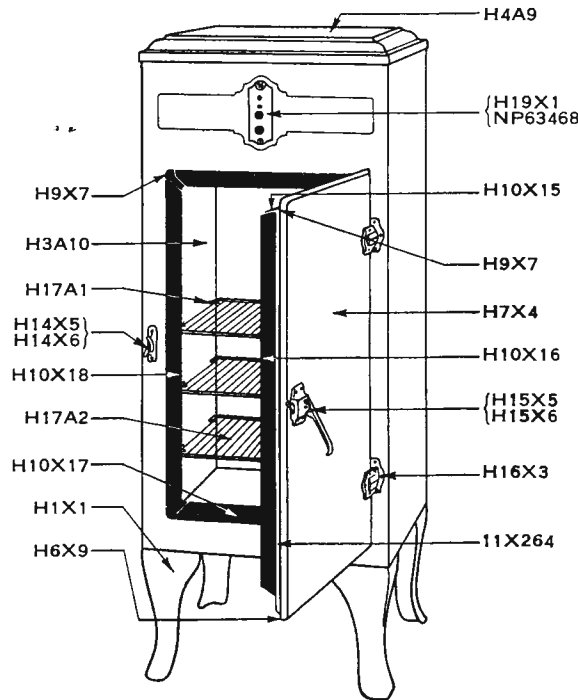
Ref. No.	Catalog Number		Name of Part
	JB3-38A	JB3-39A JB3-39B	
12	H12X2	H12X2	Screw for Door Strip (10-30) (Except JB3-39B)
12	-	H20A381	Screw for Door Strip, Stainless Steel (No. 8) (JB3-39B)
13	H9A10	H9A10	Door Corner
	H7A193	H7A193	Inner Door Panel (Except JB3-39B)
	-	H7A268	Inner Door Panel (JB3-39B)
14	H15A61	H15A61	Latch, with Gasket, Nut, and Lockwasher
15	H15A44	H15A44	Spring for Latch
16	H15A45	H15A45	Nut for Latch and Handle
17	H13A148	H13A148	Gasket Between Latch and Outer Door Panel
18	H20A117	H20A117	Lockwasher for H15A45
19	H1X339	H1X339	Screw Fastening Latch to Door Strip (10-30) (Except JB3-39B)
19	-	H20A381	Screw Fastening Latch to Door Strip, Stainless Steel (No. 8) (JB3-39B)
20	H15A50	H15A62	Latch Handle without Escutcheon
21	H15A31	H15A47	Escutcheon for Latch Handle
22	H13A104	H13A149	Gasket Between Latch Handle and Door Panel
23	H16A37	H16A49	Hinge with End Covers
24	H16A38	H16A50	Center Cover for Hinge
	H20A47	H20A47	Screw for Hinge (12-28)
	NP67860B	NP67860B	Nameplate Clip
	H20A6	H20A6	Screw for Nameplate Clip (4-48)
25	H14A19	H14A19	Strike for Latch Bolt
26	H14A20	H14A20	Strike Case
	H1X339	H1X339	Screw for H14A19 (10-30)
	58X310	58X310	Lockwasher for H1X339
27	H10A34	H10A34	Door Jamb Strip, Top or Bottom
	H10A138	H10A138	Door Jamb Strip, Hinge Side
28	H10A139	H10A139	Door Jamb Strip, Latch Side
29	H12X2	H12X2	Screw for Door Jamb Strip (10-30)
30	H9A27	H9A27	Door Jamb Corner
31	H3A110	H3A110	INNER LINER WITH SHELF SUPPORTS
	H17A89	H17A89	Shelf Support, Straight
32	H12A2	H12A2	Screw for Shelf Support (1/4 in.-20)
	H20A110	H20A110	Rubber Plug for Inner Liner Cover
	H12X2	H12X2	Screw Fastening Inner Liner Cover to Inner Liner (10-30)
	H20A74	H20A74	Fiber Washer for H12X2 (5/8 in. O.D.)
33	H17A126	H17A214	Shelf, Top
34	H17A127	H17A215	Shelf, Top, Removable
35	H17A128	H17A128	Shelf, Bottom
	H20A167	-	Hook for Ice Tray Lifter
	-	H20A282	Bracket for Ice Tray Separator Release
	H5A215	-	Cabinet Insulation (set)
	H5A214	-	Insulation Between Inner Liner Cover and Top Cover
	H22A30	-	Insulation for Lower Door Panel
	-	H5X20	Cabinet Insulation (Kinsul, 18' roll)
	AIR127	AIR150	*Accessories

\*\*Refer to Accessories Section for Parts Included.

\*Later production cabinets used Cat. 105136 Screw (10-32) with Cat. 200384 Nut and Cat. H20A380 Washer.

†Later production cabinets used Cat. 105113 Screw (10-32) with Cat. 200384 Nut.

## HE-4A\*—Cabinet Parts



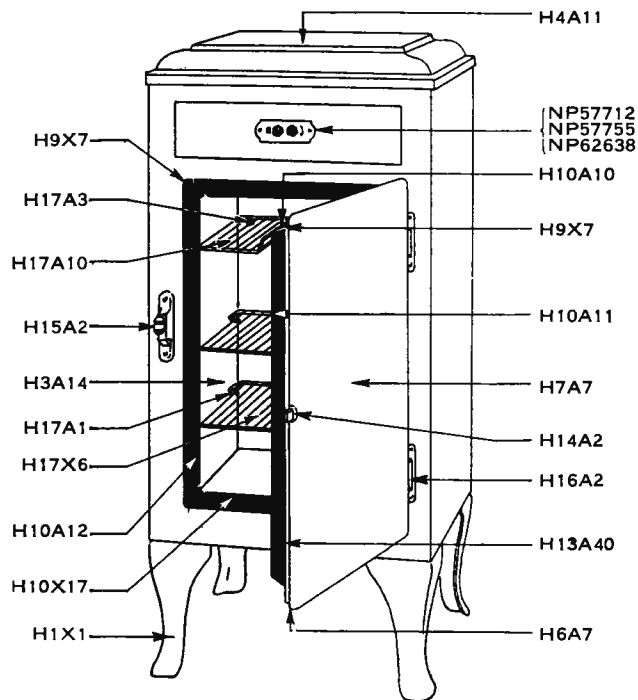
A1R12†	Accessories	H17A3	Shelf Support (Headed)
H1X1	Leg	H18A3	Washer for H12A2 Screw
H3A10	Inner Liner	H18A18	Washer for H20A15 Cap Screw
H4A9	Top Cover	H18A19	Washer for H12A12 Screw
H5A15	Cabinet Insulation (Set)	H18A31	Ventilating Duct
H6X9	Door Complete	H18A32	Support for Unit
H7X4	Outer Door Panel	H18A48	Nut for 11X909 Screw
H7X5	Inner Door Panel	H18A49	Washer for H18A48 Nut
H9X7	Door and Door Jamb Corner	H18A62	Spring Clip for Cover
H10X15	Door Strip (Horizontal)	H18X10	Shim for Hinge (Cabinet)
H10X16	Door Strip (Vertical)	H18X11	Shim for Hinge (Door)
H10X17	Door Jamb Strip (Horizontal)	H18X12	Shim for Latch
H10X18	Door Jamb Strip (Vertical)	H18X13	Shim for Strike
H12A2	Screw for Shelf Support	H19X1	Escutcheon Plate (Non-Defrost, off position on right)
H12A12	Screw for Ventilating Duct	H20A15	Cap Screw for Leg
H12X2	Screw for Door and Door Jamb Strip	H22A1	Acoustic Insulation for Vent. Duct
H13A1	Rubber Door Gasket (Vertical)	H22A2	Acoustic Insulation for Top Cover
H13A23	Gasket between Top Cover and Cabinet	H22A3	Acoustic Insulation for Front of Unit Case
H13A24	Gasket for Unit Support	H22A4	Acoustic Insulation for Side of Unit Case
H13A25	Gasket for Inner Liner	11X264	Rubber Door Gasket (4 Pieces)
H13X4	Spacer between Top Cover and Cabinet	11X340	Screw for H18A62 Clip
H14X5	Strike (Right Hand)	11X789	Hardware Screw
H14X6	Strike (Left Hand)	11X799	Rubber Door Gasket (Horizontal)
H15X5	Latch (Right Hand)	11X909	Screw for Escutcheon Plate
H15X6	Latch (Left Hand)	NP63468	Escutcheon Plate (Non-Defrost, off position on left)
H16X3	Hinge		
H17A1	Shelf Support (Straight)		
H17A2	Shelf		

\* Also referred to as E-4 and HE-4 Cabinets.

† Refer to Accessories Section for parts included,

Always Give Catalog Number

## HE-4B—Cabinet Parts



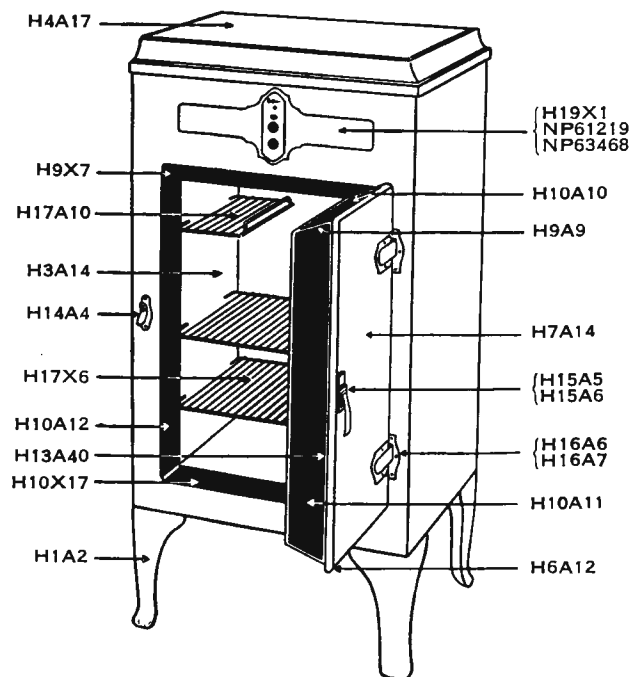
A1R10†	Accessories	H17A1	Shelf Support (Straight)
H1X1	Leg	H17A3	Shelf Support (Headed)
H3A14	Inner Liner with Shelf Supports	H17A10	Shelf (Top)
H4A11	Cover for Cabinet	H17X6	Shelf (Center or Lower)
H5A16	Cabinet Insulation (Set) ‡	H18A2	Washer for Escutcheon Plate
H5A28	Insulation for Top Cover	H18A3	Washer for H12A2 Screw
H6A7	Door Complete	H18A18	Washer for H20A15 Cap Screw
H7A7	Outer Door Panel	H18A19	Washer for H12A12 Screw
H7A8	Inner Door Panel	H18A34	Nut for Latch Screw
H9X7	Door Corner or Door Jamb Corner	H18A48	Nut for 11X909 Screw
H10A10*	Door Strip (Horizontal)	H18A49	Washer for 11X909 Screw
H10A11*	Door Strip (Vertical)	H18A55	Support for Unit
H10A12	Door Jamb Strip (Vertical)	H18A62	Spring Clip for Cover
H10X17	Door Jamb Strip (Horizontal)	H18A79	Ventilating Duct
H12A2	Screw for Shelf Support	H20A15	Cap Screw for Leg
H12A10	Hardware Screw	H22A5	Acoustic Insulation (Small) for Vent. Duct
H12A12	Screw for Ventilating Duct	H22A6	Acoustic Insulation (Large) for Vent. Duct
H12X2	Screw for Door Strip or Door Jamb Strip	H22A7	Acoustic Insulation for Front of Unit Case
H13A27	Gasket for Leg	H22A8	Acoustic Insulation for Side (Right or Left) of Unit Case
H13A29	Gasket for Unit Support	11X340	Screw for H18A62 Clip
H13A38	Gasket for Strike Cover and Door	11X909	Screw for Escutcheon Plate
H13A39	Side Gasket for Cover	NP57712	Escutcheon Plate (Non-Defrost, off position at top)
H13A40	Rubber Door Gasket	NP57755	Escutcheon Plate (Defrost)
H13A41	Gasket for Inner Liner	NP62638	Escutcheon Plate (Non-Defrost, off position at bottom)
H13A43	Top Gasket for Cover		
H14A2	Strike		
H15A2	Latch		
H16A2	Hinge		

\* Always specify number of Screw Holes when ordering. † Refer to Accessories Section for parts included.

‡ No longer available—use Kimsul Insulation.

Always Give Catalog Number

## HE-4C—Cabinet Parts



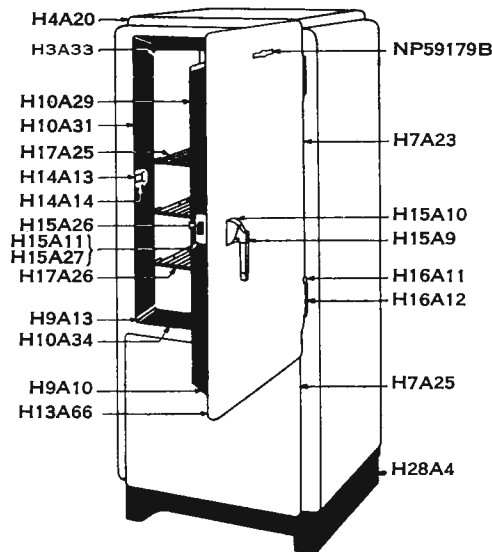
A1R19†	Accessories	H16A7	Hinge (Left Hand)
H1A2	Leg	H17A1	Shelf Support (Straight)
H3A14	Inner Liner	H17A3	Shelf Support (Headed)
H4A17	Top Cover	H17A10	Shelf (Top)
H5A29	Cabinet Insulation (Set)	H17X6	Shelf (Center and Lower)
H5A30	Insulation for Top Cover	H18A3	Washer for H12A2 Screw
H6A12	Door Complete	H18A18	Washer for H20A15 Cap Screw
H7A8	Inner Door Panel	H18A19	Washer for H12A12 Screw
H7A14	Outer Door Panel	H18A48	Nut for 11X909 Screw
H9A9	Door Corner	H18A49	Washer for 11X909 Screw
H9X7	Door Jamb Corner	H18A55	Support for Unit
H10A10*	Door Strip (Horizontal)	H18A59	Shim for Hinge
H10A11*	Door Strip (Vertical)	H18A60	Shim for Latch
H10A12	Door Jamb Strip (Vertical)	H18A62	Spring Clip for Cover
H10X17	Door Jamb Strip (Horizontal)	H18A79	Ventilating Duct
H12A2	Screw for Shelf Support	H19X1	Escutcheon Plate (Non-Defrost, off position on right)
H12A12	Screw for Ventilating Duct	H20A15	Cap Screw for Leg
H12X2	Screw for Door and Door Jamb Strip	H22A5	Acoustic Insulation (Small) for Vent. Duct
H13A27	Gasket for Leg	H22A6	Acoustic Insulation (Large) for Vent. Duct
H13A29	Gasket for Unit Support	H22A7	Acoustic Insulation for Front of Unit Case
H13A40	Rubber Door Gasket	H22A8	Acoustic Insulation for Side of Unit Case
H13A41	Gasket for Inner Liner	11X340	Screw for H18A62 Clip
H13A51	Side Gasket for Cover	11X789	Hardware Screw
H13A58	Top Gasket for Cover	11X909	Screw for Escutcheon Plate
H14A4	Strike	NP61219	Escutcheon Plate (Defrost)
H15A5	Latch (Right Hand)	NP63468	Escutcheon Plate (Non-Defrost, off position on left)
H15A6	Latch (Left Hand)		
H16A6	Hinge (Right Hand)		

\*Always specify number of Screw Holes when ordering. † Refer to Accessories Section for parts included.

Always Give Catalog Number



## F-4A—Cabinet Parts

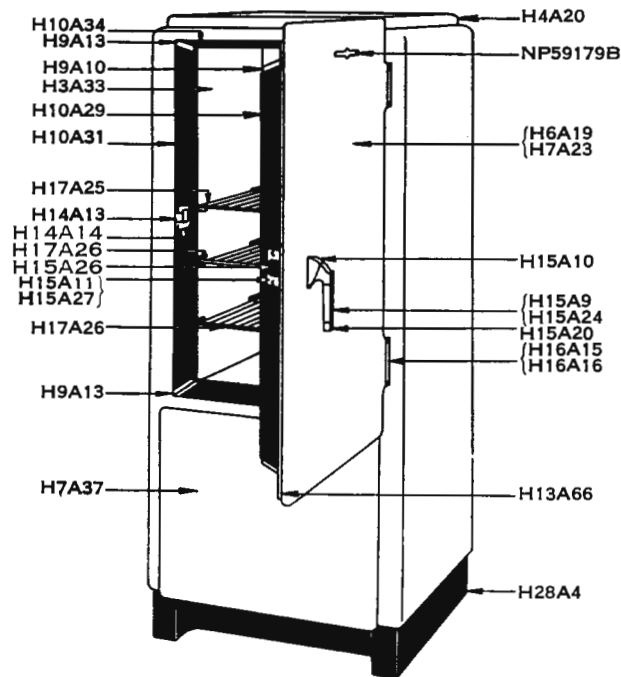


A1R28†	Accessories	H15A9	Latch Handle
C20A81	Screw fastening Evaporator to Inner Liner Cover	H15A10	Escutcheon Plate for Latch Handle
C20A82	Rubber Gasket between Inner Liner Cover and Washer	H15A11	Escutcheon Plate for Latch Bolt (Old Style)
C20A83	Washer for C20A81 Screw	H15A23	Thimble for Latch Handle Grip
C20A86	Spacer between Evaporator and Inner Liner Cover	H15A26	Latch Case with Bolt and Spring, Gasket and Nut
H3A22	Inner Liner Cover	H15A27	Escutcheon Plate for Latch Bolt (New Style)
H3A28	Special Liner Cover (CM-32 Unit Replacement)	H15A44	Spring for Latch Case
H3A33	Inner Liner	H16A11	Hinge
H4A20	Top Cover for Cabinet	H16A12	Cover for Hinge
H5A39	Cabinet Insulation (Set)	H17A1	Shelf Support (Straight)
H5A40	Insulation for Inner Liner Cover	H17A3	Shelf Support (Headed)
H5A41	Insulation for Refrigerating Machine Compartment Door	H17A24	Shelf (Top)
H5A42	Insulation for Refrigerating Machine Compartment	H17A25	Shelf (First from Top)
H6A19	Door Complete (Right-Hand Cabinet)	H17A26	Shelf (Bottom or First from Bottom)
H6A20	Door Complete (Left-Hand Cabinet)	H17A27	Special Top Shelf (CF-1 Unit)
H7A22	Inner Door Panel	H17A72	Fiber Washer (½" O.D.) for H12A2 or H20A16 Screw
H7A23	Outer Door Panel (Right-Hand Cabinet)	H18A3	Washer for H20A15 or H20A22 Cap Screw
H7A24	Outer Door Panel (Left-Hand Cabinet)	H18A18	Rivet for Hinge Plate
H7A25	Door Panel with Catches for Refrigerating Machine Compartment	H18A92	Rivet for Tapping Strips
H9A10	Door Corner	H20A4	Screw for Nameplate Clip
H9A13	Door Jamb Corner	H20A6	Clip for Skirt and Base
H10A28	Door Strip (Hinge Side)	H20A13	Clip for Cover (Front)
H10A29	Door Strip (Latch Side)	H20A14	Cap Screw fastening Refrigerating Machine to Cabinet Base
H10A31	Door Jamb Strip (Latch Side)	H20A15	Screw fastening Inner Liner Cover to Inner Liner
H10A33	Door Strip (Horizontal)	H20A16	Clip for Cover (Back)
H10A34	Door Jamb Strip (Horizontal)	H20A18	Rubber Button for Outer Case
H10A35	Door Jamb Strip (Hinge Side)	H20A19	Rubber Spacer for Channel
H11A11	Tapping Strip (Side) for Outer Case	H20A22	Cap Screw fastening Cabinet to Base
H11A13	Tapping Strip (Side) for Inner Liner	H20A23	Shim for Base
H11A15	Tapping Strip for Door (Outer, Latch Side)	H20A24	Support for H20A23 Shim
H11A16	Tapping Strip for Door (Outer, Hinge Side)	H20A46	Clamp for Refrigerating Machine and Evaporator Connection Tubing
H11A18	Tapping Strip for Door (Inner, Side)	H20A61	Spring Clip for Refrigerating Machine Compartment Panel
H11A20	Hinge Tapping Strip for Outer Casing	H20A66	Screw for Latch Handle Thimble
H11A24	Tapping Strip (Horizontal) for Outer Case	H20A176*	Set of Parts for Installing CF-1 Unit
H11A25	Tapping Strip (Horizontal) for Inner Liner	H27A2	Base for Cabinet and Refrigerating Machine
H11A26	Tapping Strip for Door (Outer, Horizontal)	H28A4	Skirt for Base
H11A27	Tapping Strip for Door (Inner, Horizontal)	H29A1	Channel for Refrigerating Machine and Evaporator Connection Tubing (Full Length)
H11A47	Hinge Tapping Strip for Door	H29A4	Channel for Refrigerating Machine and Evaporator Connection Tubing (Short)
H12A2	Screw for Shelf Support	13919	Nut for C20A81 Screw
H12A3	Screw for Hinge	89943	Nut for H20A16 Screw
H12A12	Screw for H20A14 or H20A18 Clip or Channel for Tubing	153179	Fiber Washer (¾" O.D.) for H20A16 Screw
H12X2	Screw for Door Strip or Door Jamb Strip	153998	Screw for Tube Seal
H13A63	Gasket between Escutcheon Plate for Latch Handle and Outer Door Panel	179789	Washer for H12A12 Screw
H13A66	Rubber Door Gasket for Cabinet Door	6X814	Lockwasher for 13919 Nut
H13A67	Rubber Door Gasket for Refrigerating Machine Compartment Panel	11X339	Screw for Escutcheon Plate or Strike
H13A80	Soft Rubber Gasket for Cabinet Cover	29X705	Nut for 15998 Screw
H14A13	Strike	64X975	Screw for Spacer
H14A14	Strike Case	NP59179B	Clip for Nameplate

\* Refer to Installation and Service Material Section for items in this set of Parts.

† Refer to Accessories Section for parts included.

## KF-4A—Cabinet Parts

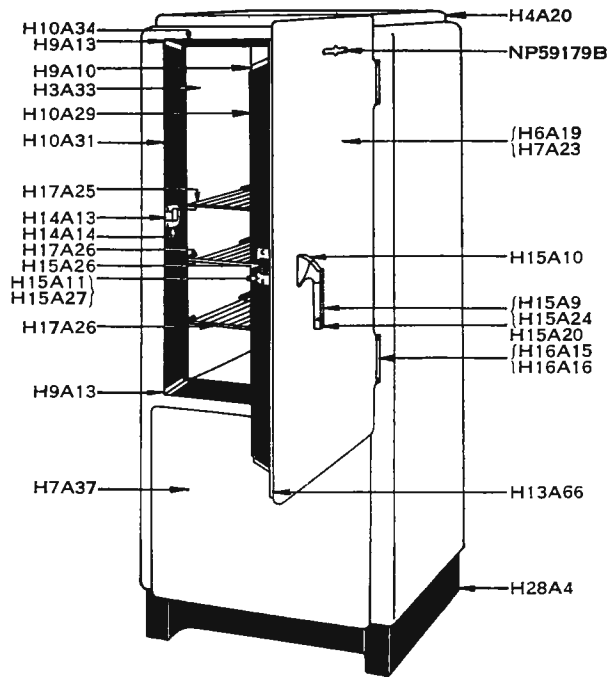


- |        |   |          |   |
|--------|---|----------|---|
| A1R40† | Accessories   | H15A11   | Escutcheon Plate for Latch Bolt (Old Style)                     |
| C20A81 | Screw Fastening Evaporator to Inner Liner Cover               | H15A20   | Thimble for Latch Handle Grip                                   |
| C20A82 | Rubber Gasket between Inner Liner Cover and Washer            | H15A24   | Latch Handle Grip   |
| C20A83 | Washer for C20A81 Screw                                       | H15A26   | Latch Case with Bolt and Spring, Gasket and Nut                 |
| H3A28  | Inner Liner Cover   | H15A27   | Escutcheon Plate for Latch Bolt (New Style)                     |
| H3A33  | Inner Liner with Shelf Supports                               | H15A44   | Spring for Latch Case   |
| H4A20  | Cabinet Cover   | H16A15   | Hinge   |
| H5A56  | Cabinet Insulation (Set)                                      | H16A16   | Cover for Hinge   |
| H5A57  | Insulation for Unit Compartment Door                          | H17A1    | Shelf Support (Straight)  |
| H5A58  | Insulation for Refrigerating Machine Compartment              | H17A3    | Shelf Support (Headed)  |
| H5A59* | Insulation between Liner Cover and Cabinet Cover              | H17A24   | Shelf (Top)   |
| H6A19  | Door Complete (Right Hand)                                    | H17A25   | Shelf (First from Top)  |
| H6A20  | Door Complete (Left Hand)                                     | H17A26   | Shelf (Bottom or First from Bottom)                             |
| H7A22  | Inner Cabinet Door Panel                                      | H18A3    | Fiber Washer (1/2" O.D.) for H12A2 or H20A16 Screws             |
| H7A23  | Outer Cabinet Door Panel (Right Hand)                         | H18A18   | Washer for H20A15, 106775 or 6X737 Screws                       |
| H7A24  | Outer Cabinet Door Panel (Left Hand)                          | H20A4    | Rivet for Tapping Strip   |
| H7A37  | Door Panel with Catches for Refrigerating Machine Compartment | H20A6    | Screw for Nameplate Clip  |
| H9A10  | Door Corner   | H20A13   | Clip for Skirt  |
| H9A13  | Door Jamb Corner  | H20A14   | Clip for Cover (Front)  |
| H10A28 | Door Strip (Vertical, Hinge Side)                             | H20A15   | Cap Screw Fastening Cabinet to Base                             |
| H10A29 | Door Strip (Vertical, Latch Side)                             | H20A16   | Screw fastening Inner Liner Cover to Inner Liner                |
| H10A31 | Door Jamb Strip (Vertical, Latch Side)                        | H20A18   | Clip for Cover (Back)   |
| H10A33 | Door Strip (Horizontal)                                       | H20A19   | Rubber Button for Outer Case                                    |
| H10A34 | Door Jamb Strip (Horizontal)                                  | H20A20   | Rubber Spacer for Tubing Channel                                |
| H10A35 | Door Jamb Strip (Vertical, Hinge Side)                        | H20A46   | Clamp for Tubing  |
| H11A11 | Tapping Strip for Outer Case (Vertical)                       | H20A47   | Screw for Hinge   |
| H11A13 | Tapping Strip for Inner Liner (Vertical)                      | H20A59   | Spacer between Evaporator and Inner Liner Cover                 |
| H11A15 | Tapping Strip for Door (Outer, Latch Side)                    | H20A60   | Screw for Clips   |
| H11A16 | Tapping Strip for Door (Outer, Hinge Side)                    | H20A61   | Spring Clip for Refrigerating Machine Compartment Panel         |
| H11A18 | Tapping Strip for Door (Inner, Vertical)                      | H20A62   | Screw Fastening Rubber Spacer to Cabinet                        |
| H11A20 | Hinge Tapping Strip for Outer Case                            | H20A64   | Screw for Latch Handle Thimble                                  |
| H11A24 | Tapping Strip for Outer Case (Horizontal)                     | H27A6    | Base for Cabinet and Refrigerating Machine                      |
| H11A25 | Tapping Strip for Inner Liner (Horizontal)                    | H28A4    | Skirt for Base  |
| H11A26 | Tapping Strip for Door (Outer, Horizontal)                    | H29A4    | Channel for Tubing  |
| H11A27 | Tapping Strip for Door (Inner, Horizontal)                    | 13919    | Nut for C20A81 Screw  |
| H11A47 | Hinge Tapping Strip for Door                                  | 106775   | Cap Screw fastening Refrigerating Machine Base to Cabinet Base  |
| H12A2  | Screw for Shelf Support                                       | 153179   | Fiber Washer (3/8" O.D.) for H20A16 Screw                       |
| H12X2  | Screw for Door Strip or Door Jamb Strip                       | 153998   | Screw for Tube Seal   |
| H13A63 | Gasket between H15A10 Plate and Outer Door Panel              | 179789   | Washer for H20A60 Screw   |
| H13A66 | Rubber Door Gasket  | 1X452    | Nut for H20A16 Screw  |
| H13A80 | Soft Rubber Gasket for H4A20 Cover                            | 6X737    | Cap Screw Fastening Base Back Plate to Base and for H20A13 Clip |
| H14A13 | Strike  | 11X339   | Screw for Escutcheon Plate or Strike                            |
| H14A14 | Strike Case   | 29X705   | Nut for 153998 Screw  |
| H15A9  | Latch Handle  | NP59179B | Clip for Nameplate  |
| H15A10 | Escutcheon Plate for Latch Handle                             |          |   |

† Refer to Accessories Section for parts included.  
\* Use Kimsul, Cat. No. H5X20.

Always Give Catalog Number

## K-4A—Cabinet Parts

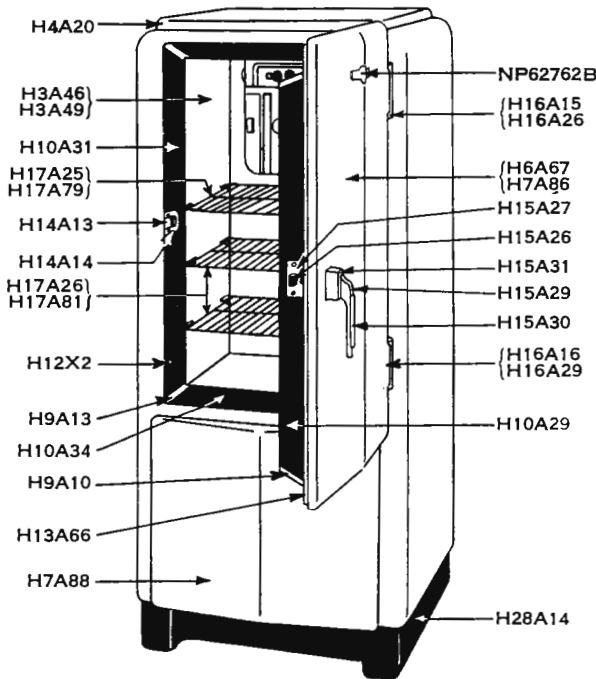


A1R40†	Accessories	H15A20	Thimble for Latch Handle Grip
H3A33	Inner Liner with Shelf Supports	H15A24	Latch Handle Grip
H4A20	Cabinet Cover	H15A26	Latch Case with Bolt and Spring, Gasket and Nut
H5A55	Cabinet Insulation (Set)	H15A27	Escutcheon Plate for Latch Bolt (New Style)
H5A57	Insulation for Unit Compartment Door	H15A44	Spring for Latch Case
H5A60	Insulation between Liner Cover and Cabinet Cover	H16A15	Hinge
H6A19	Door Complete (Right Hand)	H16A16	Cover for Hinge
H6A20	Door Complete (Left Hand)	H17A1	Shelf Support (Straight)
H7A22	Inner Cabinet Door Panel	H17A3	Shelf Support (Headed)
H7A23	Outer Cabinet Door Panel (Right Hand)	H17A24	Shelf (Top)
H7A24	Outer Cabinet Door Panel (Left Hand)	H17A25	Shelf (First from Top)
H7A37	Door Panel with Catches for Refrigerating Machine Compartment	H17A26	Shelf (Bottom or First from Bottom)
H9A10	Door Corner	H18A3	Fiber Washer (1/2" O.D.) for H12A2 Screw
H9A13	Door Jamb Corner	H18A18	Washer for H20A15 or 6X737 Screw
H10A28	Door Strip (Vertical, Hinge Side)	H18A22	Washer for Cap Screw 271318
H10A29	Door Strip (Vertical, Latch Side)	H20A4	Rivet for Tapping Strip
H10A31	Door Jamb Strip (Vertical, Latch Side)	H20A6	Screw for Nameplate Clip
H10A33	Door Strip (Horizontal)	H20A13	Clip for Skirt
H10A34	Door Jamb Strip (Horizontal)	H20A14	Clip for Cover (Front)
H10A35	Door Jamb Strip (Vertical, Hinge Side)	H20A15	Cap Screw fastening Cabinet to Base
H11A11	Tapping Strip for Outer Case (Vertical)	H20A18	Clip for Cover (Back)
H11A13	Tapping Strip for Inner Liner (Vertical)	H20A19	Rubber Button for Outer Case
H11A15	Tapping Strip for Door (Outer, Latch Side)	H20A47	Screw for Hinge
H11A16	Tapping Strip for Door (Outer, Hinge Side)	H20A60	Screw for Clips
H11A18	Tapping Strip for Door (Inner, Vertical)	H20A61	Spring Clip for Refrigerating Machine Compartment Panel
H11A20	Hinge Tapping Strip for Outer Case	H20A62	Screw fastening Condenser to Cabinet
H11A24	Tapping Strip for Outer Case (Horizontal)	H20A63	Washer for H20A62 Screw
H11A25	Tapping Strip for Inner Liner (Horizontal)	H20A64	Screw for Latch Handle Thimble
H11A26	Tapping Strip for Door (Outer, Horizontal)	H20A74	Fiber Washer for H12X2 Liner Cover Screw
H11A27	Tapping Strip for Door (Inner, Horizontal)	H20A75	Rubber Washer for H12X2 Liner Cover Screw
H11A47	Hinge Tapping Strip for Door	H20A98	Tray Lifter Hook
H11A49	Tapping Strip for Inner Liner Cover Screw	H20A110	Rubber Plug for Inner Liner Cover
H12A2	Screw for Shelf Support	H27A5	Base for Cabinet and Refrigerating Machine
H12X2	Screw for Door Strip, Door Jamb Strip or Inner Liner Cover	H28A4	Skirt for Base
H13A63	Gasket between H15A10 Plate and Outer Door Panel	106775	Cap Screw fastening Refrigerating Machine Base to Cabinet Base
H13A66	Rubber Door Gasket	153608	Screw for H20A13 Clip
H13A80	Soft Rubber Gasket for H4A20 Cover	153998	Screw for Tube Seal
H14A13	Strike	179789	Washer for H20A60 Screw
H14A14	Strike Case	271318	Cap Screw fastening Condenser to Base
H15A9	Latch Handle	6X737	Cap Screw fastening Base Back Plate to Base
H15A10	Escutcheon Plate for Latch Handle	11X339	Screw for Escutcheon Plate or Strike
H15A11	Escutcheon Plate for Latch Bolt (Old Style)	29X705	Nut for 153998 Screw
		NP59179B	Clip for Nameplate

† Refer to Accessories Section for parts included.

Always Give Catalog Number

## V-4A, V-4C—Cabinet Parts



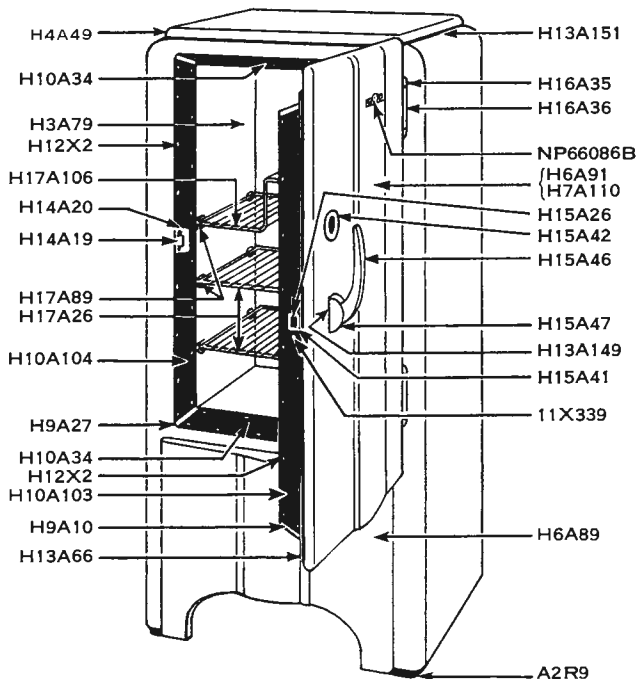
Name of Part	Cat. No.	
	V-4A	V-4C
†Accessories.....	A1R59	A1R67
Inner Liner with Shelf Supports.....	H3A46	H3A49
Cabinet Cover.....	H4A20	H4A20
Insulation for Refrigerating Machine Compartment (Side).....	H5A101	H5A101
Cabinet Insulation (Set).....	H5A103	H5A103
Insulation for Refrigerating Machine Compartment Door.....	H5A104	H5A104
Insulation between Liner Cover and Cabinet Cover.....	H5A140	H5A140
Door Complete (Right Hand).....	H6A67	H6A67
Door Complete (Left Hand).....	H6A68	H6A68
Inner Cabinet Door Panel.....	H7A22	H7A22
Outer Cabinet Door Panel (Right Hand).....	H7A86	H7A86
Outer Cabinet Door Panel (Left Hand).....	H7A87	H7A87
Door Panel with Catches for Refrigerating Machine Compartment.....	H7A88	H7A88
Door Corner.....	H9A10	H9A10
Door Jamb Corner.....	H9A13	H9A13
Door Strip (Vertical, Hinge Side).....	H10A28	H10A28
Door Strip (Vertical, Latch Side).....	H10A29	H10A29
Door Jamb Strip (Vertical, Latch Side).....	H10A31	H10A31
Door Strip (Horizontal).....	H10A33	H10A33
Door Jamb Strip (Horizontal).....	H10A34	H10A34
Door Jamb Strip (Vertical, Hinge Side Right-Hand Cabinet).....	H10A78	H10A78
Door Jamb Strip (Vertical, Hinge Side Left-Hand Cabinet).....	H10A79	H10A79
Tapping Strip for Outer Case (Vertical).....	H11A11	H11A11
Tapping Strip for Inner Liner (Vertical).....	H11A13	H11A13
Tapping Strip for Door (Outer, Vertical, Latch Side).....	H11A15	H11A15
Tapping Strip for Door (Outer, Vertical, Hinge Side).....	H11A16	H11A16
Tapping Strip for Door (Inner, Vertical).....	H11A18	H11A18
Tapping Strip for Hinge and Outer Case.....	H11A20	H11A20
Tapping Strip for Outer Case (Horizontal).....	H11A24	H11A24
Tapping Strip for Inner Liner (Horizontal).....	H11A25	H11A25
Tapping Strip for Door (Outer, Horizontal).....	H11A26	H11A26
Tapping Strip for Door (Inner, Horizontal).....	H11A27	H11A27
Tapping Strip for Hinge and Door.....	H11A27	H11A27
Tapping Strip for Inner Liner Cover.....	H11A49	H11A49

Name of Part	Cat. No.	
	V-4A	V-4C
Tapping Strip for Outer Case and Condenser Screw.....	H11A59	H11A59
Screw for Shelf Support.....	H12A2	H12A2
Screw for Door Jamb Strip, Door Strip, or Inner Liner Cover.....	H12X2	H12X2
Rubber Door Gasket.....	H13A66	H13A66
Gasket for H4A20 Cover.....	H13A80	H13A80
Gasket for Latch Handle Escutcheon Plate and Outer Door Panel.....	H13A104	H13A104
Rubber Bushing for Light Receptacle.....	H13A146	H13A142
Gasket for H20A137 Catch.....	H14A13	H13A146
Strike.....	H14A13	H14A13
Strike Case.....	H14A14	H14A14
Latch Case with Bolt and Spring, Gasket and Nut.....	H15A26	H15A26
Escutcheon Plate for Latch Bolt.....	H15A27	H15A27
Latch Handle with Trim.....	H15A29	H15A29
Trim for Latch Handle.....	H15A30	H15A30
Escutcheon Plate for Latch Handle.....	H15A31	H15A31
Nut fastening Handle to Latch.....	H15A32	H15A32
Spring for Latch Case.....	H15A44	H15A44
Hinge for use with Cover 3 1/8" long.....	H16A15	H16A15
Cover for H16A15 Hinge.....	H16A16	H16A16
Hinge for use with Cover 3 1/8" long.....	H16A26	H16A26
Cover for H16A26 Hinge.....	H16A29	H16A29
Shelf Support (Straight).....	H17A1	H17A1
Shelf Support (Headed).....	H17A3	H17A3
Shelf (Large, Upper).....	H17A79	H17A25
Shelf (Small, Upper).....	H17A80	H17A80
Shelf (Middle or Bottom).....	H17A81	H17A26
Washer for H12A2 Screw.....	H18A3	H18A3
Washer (3/8" O.D.) for H20A15 Screw.....	H18A18	H18A18
Washer (7/8" O.D., 0.0625" thick) for H20A15 Screw.....	H18A22	H18A22
Momentary Contact Switch with Leads.....	H18A54	H18A54
Rivet for H11A20 or H11A47 Tapping Strips.....	H18A92	H18A92
Lamp Guard.....	H19A5	H19A5
Spring for H18A54 Switch.....	H19A6	H19A6
Light Receptacle with Rubber Bushing, Leads and Switch (Right-Hand Cabinet).....	H19A7	H19A7
Light Receptacle with Rubber Bushing, Leads and Switch (Left-Hand Cabinet).....	H19A8	H19A8
Light Receptacle with Retaining Ring and Short Leads.....	H19A15	H19A15
Rivet for H11A11, H11A13, H11A15, H11A16, H11A24, H11A25, or H11A26 Tapping Strips.....	H20A4	H20A4
Screw for Nameplate Clip.....	H20A6	H20A6
Speed Nut for 49X789 Receptacle.....	H20A8	H20A8
Clip for Skirt.....	H20A13	H20A13
Clip for Cover (Front).....	H20A14	H20A14
Cap Screw fastening Cabinet to Base.....	H20A15	H20A15
Clip for Cover (Back).....	H20A18	H20A18
Plug for Outer Case.....	H20A19	H20A19
Screw for Hinge.....	H20A47	H20A47
Screw for H20A14, H20A18, or H20A61 Clips.....	H20A60	H20A60
Spring Clip for Refrigerating Machine Compartment Panel.....	H20A61	H20A61
Fiber Washer for H12X2 Screw.....	H20A74	H20A74
Rubber Washer for H12X2 Screw.....	H20A75	H20A75
Tray Lifter Hook.....	H20A98	H20A98
Rubber Plug for Inner Liner Cover.....	H20A110	H20A110
Washer for H20A6 Screw.....	H20A116	H20A116
Lockwasher for H15A32 Nut.....	H20A117	H20A117
Rivet for H11A59 Tapping Strip.....	H20A118	H20A118
Catch for Refrigerating Machine Compartment Panel.....	*H20A137	H20A137
Washer for 11X339 Screw.....	*H20A138	H20A138
Base for Cabinet and Refrigerating Machine.....	H27A15	H27A15
Skirt for Base.....	H28A14	H28A14
Cap Screw fastening Refrigerating Machine to Base.....	106775	106775
Cap Screw fastening Condenser to Base.....	153605	153609
Screw for Tube Seal.....	153998	153998
Washer for 69X893 Screw.....	165736	165736
Nut for 106775 Screw.....	177811	177811
Washer for 153998 Screw.....	179789	179789
Washer (3/8" O.D., 0.125" Thick) for H20A15 Screw.....	1440922	1440922
Screw for H14A13 Strike, H15A27 Escutcheon Plate or H20A137 Catch.....	*11X339	11X339
Nut for 153998 Screw.....	29X705	29X705
Light Receptacle with Leads.....	49X789	49X789
Retaining Ring for Light Receptacle.....	49X972	49X972
Lockwasher for Strike Screw.....	*58X310	58X310
Screw fastening Condenser to Cabinet.....	69X893	69X893
Connector for Leads.....	GE3014	GE3014
Clip for Nameplate.....	NP62762B	NP62762B

\* On first production the Catch for Refrigerating Machine Compartment Door was welded in position but later fastened to the door with screws.  
 † Refer to Accessories Section for parts included.

Always Give Catalog Number

## B-4-37A—Cabinet Parts



- A1R75† Accessories
- A2R9 Glider for Outer Case
- H3A79 Inner Liner with Shelf Supports
- H4A49 Cabinet Cover
- H5A146 Insulation between Inner Liner Cover and Cabinet Cover
- H5X20 Cabinet Insulation (Kimsul, 18' roll)
- H6A89 Refrigerating Machine Compartment Door
- H6A91 Door Complete (Right-Hand Cabinet)
- H6A92 Door Complete (Left-Hand Cabinet)
- H7A22 Inner Door Panel
- H7A110 Outer Door Panel (Right-Hand Cabinet)
- H7A111 Outer Door Panel (Left-Hand Cabinet)
- H9A10 Door Corner
- H9A27 Door Jamb Corner
- H10A28 Door Strip (Vertical, Hinge Side)
- H10A33 Door Strip (Horizontal)
- H10A34 Door Jamb Strip (Horizontal)
- H10A78 Door Jamb Strip (Vertical, Hinge Side, Right-Hand Cabinet)
- H10A79 Door Jamb Strip (Vertical, Hinge Side, Left-Hand Cabinet)
- H10A103 Door Strip (Vertical, Latch Side, with Escutcheon for Latch Bolt)
- H10A104 Door Jamb Strip (Vertical, Latch Side)
- H11A11 Tapping Strip for Outer Case (Vertical)
- H11A13 Tapping Strip for Inner Liner (Vertical)
- H11A16 Tapping Strip for Outer Door Panel (Vertical, Hinge Side)
- H11A18 Tapping Strip for Inner Door Panel (Vertical)
- H11A20 Tapping Strip for Outer Case and Hinge
- H11A24 Tapping Strip for Outer Case (Bottom)
- H11A25 Tapping Strip for Inner Liner (Horizontal)
- H11A26 Tapping Strip for Outer Door Panel (Horizontal)
- H11A27 Tapping Strip for Inner Door Panel (Horizontal)
- H11A47 Tapping Strip for Door and Hinge
- H11A49 Tapping Strip for Screw Fastening Inner Liner Cover to Inner Liner
- H11A59 Tapping Strip for Outer Case and Condenser (Top)
- H11A101 Tapping Strip with Bolt, Nut, and Washer for Outer Case and Condenser (Bottom)
- H11A102 Tapping Strip for Outer Case (Top)
- H11A103 Tapping Strip for Outer Door Panel (Vertical, Latch Side)
- H12A2 Screw for Shelf Support
- H12X2 Screw for Door Strip, Door Jamb Strip or Inner Liner Cover
- H13A66 Rubber Door Gasket
- H13A142 Rubber Bushing for Light Receptacle
- H13A148 Gasket between Latch Case and Outer Door Panel
- H13A149 Seal for Latch Handle
- H13A151 Gasket for H4A33 Cabinet Cover
- H13A152 Gasket for H20A161 Clip
- H14A19 Strike
- H14A20 Strike Case
- H15A26 Latch Case with Bolt, Spring, Gasket and Nut
- H15A41 Escutcheon for Door Strip and Latch Bolt
- H15A42 Scuff Plate for Latch Handle
- H15A44 Spring for Latch Case and Bolt
- H15A45 Nut Fastening Latch Case and Latch Handle to Outer Door Panel
- H15A46 Latch Handle, without Escutcheon Plate
- H15A47 Escutcheon Plate for Latch Handle
- H16A35 Hinge with End Covers
- H16A36 Cover for Hinge

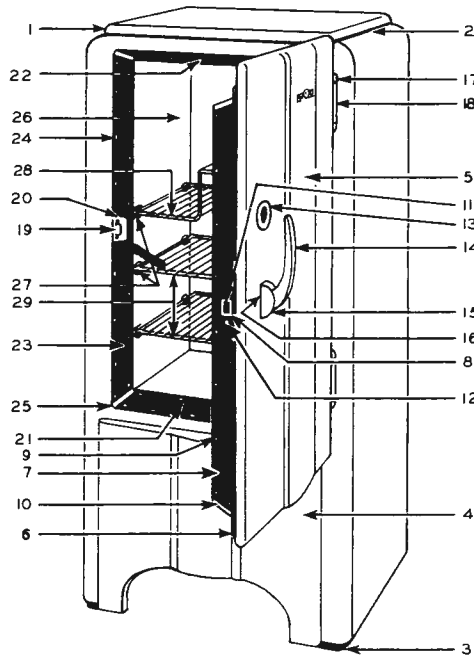
- H17A1 Shelf Support (Metal)
- H17A26 Shelf (Middle or Bottom)
- H17A89 Shelf Support (Textolite)
- H17A106 Shelf (Top)
- H18A22 Washer for 177811 Nut
- H18A54 Momentary Contact Switch (Short Leads)
- H18A92 Rivet Fastening H11A20 to Outer Case or H11A47 to Outer Door Panel
- H19A5 Lamp Guard
- H19A6 Retaining Spring for Momentary Contact Switch
- H19A15 Light Receptacle with Porcelain Bushing, Short Leads
- H19A18 Lockwasher for Momentary Contact Switch
- H19A21 Nut Fastening Momentary Contact Switch to Door Jamb Strip
- H20A4 Rivet Fastening Tapping Strip to Outer Door Panel, Outer Case or Inner Liner
- H20A6 Screw for Nameplate Clip
- H20A47 Screw for Hinge
- H20A60 Screw for H20A162 Clip
- H20A74 Fiber Washer for Screw Fastening Inner Liner Cover to Inner Liner
- H20A75 Rubber Washer for Screw Fastening Inner Liner Cover to Inner Liner
- H20A86 Screw for H20A161 Clip
- H20A110 Rubber Plug for Inner Liner Cover
- H20A117 Lockwasher for Latch Handle Nut
- H20A118 Rivet Fastening H11A59 or H11A101 Tapping Strips to Back of Outer Case
- H20A160 Speed Nut for 46X794 Screw
- H20A161 Clip for Cabinet Cover (Front)
- H20A162 Clip for Cabinet Cover (Back)
- H20A165 Spring Catch for Refrigerating Machine Compartment Door (Left-Hand Side)
- H20A166 Spring Catch for Refrigerating Machine Compartment Door (Right-Hand Side)
- H20A167 Ice Tray Lifter Hook
- H20A181 Catch for Refrigerating Machine Compartment Door
- H20A182 Rubber Spacer for Refrigerating Machine Compartment Door
- H20A188\* Set of Parts to eliminate Unit Vibration
- H20A230 Washer under Scuff Plate or Nameplate
- H22A30 Insulation for Refrigerating Machine Compartment Door
- 11X339 Screw Fastening Latch Case to Door Strip or Screw for Strike
- 46X779 Screw Fastening Glider to Cabinet (1" long)
- 46X794 Screw Fastening Glider to Cabinet (¾" long)
- 49X972 Porcelain Bushing for Light Receptacle
- 58X310 Lockwasher for Strike Screw 11X339
- 58X325 Lockwasher for 58X326 Nut
- 58X326 Nut Fastening Scuff Plate to Outer Door Panel
- 58X337 Screw for H20A181 Catch
- 69X893 Screw Fastening Unit Condenser to Back of Outer Case
- 80X132 Washer for H20A60 Screw
- 153609 Cap Screw Fastening Condenser to Back of Outer Case (Bottom)
- 165736 Washer for Screw or Steel Washer under Scuff Plate
- 177811 Nut for H11A101 Tapping Strip, 153609 Cap Screw or 106775 Screw
- 261646 Screw Fastening Compressor Unit to Angle Support
- 271318 Screw Fastening Condenser to Back of Outer Case (Bottom)
- GE3014 Connector for Leads
- NP66086B Nameplate Clip

† Refer to Accessories Section for parts included.

\* Consists of H20A189 Supporting Angle, H20A190 Wooden Block, 153609 Screw, 261646 Adjusting Screw, 177811 Nut, and 1440873 Washer.

Always Give Catalog Number

# B4A, B4-37B, B4-38A and B4-38C—Cabinet Parts



B4-37

REF. NO.	CATALOG NO.			NAME OF PART
	B4-37B	B4A B4-38A	B4-38C	
1.	H4A49	H4A49	H4A49	TOP COVER FOR CABINET
2.	H13A151 H20A336 H20A162 H20A86 H20A60	H13A151 H20A336 H20A162 H20A86 H20A60	H13A151 H20A336 H20A162 H20A86 H20A60	Gasket for Top Cover Clip for Top Cover, Front Clip for Top Cover, Back Screw for Cat. H20A336 (10-30) Screw for Cat. H20A162, or Refrigerant Line Sealing Plate (No. 8)
	69X893	69X893	69X893	Screw Fastening Condenser to Outer Case (Upper) (No. 10)
	165736 271318	165736 58X366	165736 271318	Washer for Cat. 69X893 (5/8 in. O.D.) Screw Fastening Condenser to Outer Case, Lower (5/16 in.-18)
	H18A22 177811	H18A22 177811	H18A22 177811	Washer for Cat. 271318 (7/8 in. O.D.) Nut for Cat. 271318
	H20A243 H20A62 80X132 261646	H20A243 H20A62 80X132 261646	H20A243 H20A62 80X132 261646	Rubber Spacer for Back of Condenser Screw Fastening Spacer to Condenser (No.8) Washer for Cat. H20A62 (1/2 in. O.D.) Cap Screw Fastening Compressor Unit to Angle Support (5/16 in.-18)
	H18A22 177811 A2R9 46X794	H18A22 177811 A2R9 46X794	H18A22 177811 A2R9 46X794	Washer for Cat. 261646 (7/8 in. O.D.) Nut for Cat. 261646 Glider for Cabinet Cap Screw for A2R9, Flat Head (1/4 in.-20 x 3/4 in.)
3.	-	48X242	-	Cap Screw for A2R9, Round Head (1/4"-20 x 7/8") (Late Production B4A Cabinets Only)
	H20A160 H6A89 H20A245 H20A174 165736 H20A242 H20A181 H20A49 H20A240 H20A239 H20A60	H20A160 H6A89 H20A245 H20A174 165736 H20A242 H20A181 H20A49 H20A240 H20A239 H20A60	H20A160 H6A89 H20A245 H20A174 165736 H20A242 H20A181 H20A49 H20A240 H20A239 H20A60	Speed Nut for Cat. 46X794 LOWER DOOR PANEL Spring Clip for Cat. H6A89 Screw for Cat. H20A245 (10-30) Washer for H20A174 (5/8 in. O.D.) Rubber Button Spacer for Cat. H6A89 Support for Cat. H6A89 Screw for Cat. H20A181 (No. 8) Washer for Cat. H20A49 Catch for Spring Clip, Cat. H20A245 Screw for Cat. H20A239 (No. 8)
5.	H6A91 H6A92 H7A110 H7A111 H13A66 H10A28 H10A33 H10A103	H6A91 H6A92 H7A110 H7A111 H13A66 H10A28 H10A33 H10A103	H6A91 H6A92 H7A110 H7A111 H13A66 H10A28 H10A33 H10A103	DOOR FOR RIGHT-HAND CABINET DOOR FOR LEFT-HAND CABINET Outer Door Panel (Right-Hand Cabinet) Outer Door Panel (Left-Hand Cabinet) Door Gasket Door Strip, Hinge Side Door Strip, Top or Bottom Door Strip, Latch Side, with Escutcheon for Latch Bolt
8.	H15A41	H15A41	H15A41	Escutcheon for Door Strip & Latch Bolt
9.	H12X2	H12X2	H12X2	Screw for Door Strip (10-30)
10.	H9A10 H7A22 H15A26 H15A44 H15A45 H13A148 H20A117 11X339	H9A10 H7A22 H15A26 H15A44 H15A45 H13A148 H20A117 11X339	H9A10 H7A22 H15A26 H15A44 H15A45 H13A148 H20A117 11X339	Door Corner Inner Door Panel Latch, with Gasket, Nut & Lockwasher Spring for Latch Nut for Latch and Handle Gasket Between Latch & Outer Door Panel Lockwasher for Cat. H15A45 Screw fastening Latch to Door Strip (10-30)

REF. NO.	CATALOG NO.			NAME OF PART
	B4-37B	B4A B4-38A	B4-38C	
13.	H15A42 H20A30 58X326 58X325 H15A46 H15A47 H13A149 H16A35 H16A36 H20A47 NP66086B H20A6 H14A19 H14A20 11X339 58X310 H18A54	H15A42 H20A230 58X326 58X325 H15A46 H15A47 H13A149 H16A35 H16A36 H20A47 NP66086B H20A6 H14A19 H14A20 11X339 58X310 1GA21H3 H18A54 H13A181 H12X2 H19A6 H19A18 H19A21 H10A34 H10A113 H10A78 H10A79	H15A42 H20A230 58X326 58X325 H15A46 H15A47 H13A149 H16A35 H16A36 H20A47 NP66086B H20A6 H14A19 H14A20 11X339 58X310 H18A54 H13A181 H12X2 H19A6 H19A18 H19A21 H10A34 H10A34 H10A78 H10A35 H10A79 H10A104 H12X2 H9A27 H3A112 H17A89 H12A2 H20A110 H12X2 H20A74 H17A126 H17A127 H17A128 H20A167 78X81 H19A15 49X972 H13A142 H19A5 GE3014 H5A176 H5A214 H22A30 H5X20	Scuff Plate for Latch Handle Rubber Washer for Scuff Plate Nut for Scuff Plate Lockwasher for Cat. 58X326 Latch Handle without Escutcheon Escutcheon for Latch Handle Gasket Between Latch Handle and Door Panel Hinge with End Covers Middle Cover for Hinge Screw for Hinge (12-26) Nameplate Clip Screw for Nameplate Clip (4-48) Strike Strike Case Screw for Cat. H14A19 (10-30) Lockwasher for Cat. 11X339 Door Switch with Short Leads Gasket for Cat. 1GA21H3 Screw for Cat. 1GA21H3 (10-30) Retaining Spring for Cat. H18A54 Lockwasher for Cat. H18A54 Nut for Cat. H18A54 Door Jamb Strip, Bottom Door Jamb Strip, Top Door Jamb Strip, Hinge Side, Right-Hand Cabinet Door Jamb Strip, Hinge Side, Left-Hand Cabinet Door Jamb Strip, Latch Side Screw for Door Jamb Strip (10-30) Door Jamb Corner INNER LINER WITH SHELF SUPPORTS Shelf Support, Straight (1/2 in. long) Screw for Shelf Support (1/4 in.-20) Rubber Plug for Inner Liner Cover Screw for Inner Liner Cover (10-30) Washer (Fiber) for Cat. H12X2 Shelf, Top Shelf, Top, Removable Shelf, Bottom or Middle Ice Tray Lifter Hook Lamp Receptacle Lamp Receptacle with Porcelain Bushing, Short Leads Porcelain Bushing for Lamp Receptacle Rubber Bushing for Lamp Receptacle Lamp Guard Connector for Wires Cabinet Insulation, Set (Except B4A) Insulation Between Inner Liner Cover and Cabinet Cover (Except B4A) Insulation for Cat. H6A89 Cabinet Insulation (Kinsul, 18' Roll) (B4A Only) Accessories
14.	H15A46	H15A46	H15A46	Lockwasher for Cat. 58X326
15.	H15A47	H15A47	H15A47	Latch Handle without Escutcheon
16.	H13A149	H13A149	H13A149	Escutcheon for Latch Handle
17.	H16A35	H16A35	H16A35	Gasket Between Latch Handle and Door Panel
18.	H16A36 H20A47 NP66086B H20A6	H16A36 H20A47 NP66086B H20A6	H16A36 H20A47 NP66086B H20A6	Hinge with End Covers Middle Cover for Hinge Screw for Hinge (12-26) Nameplate Clip Screw for Nameplate Clip (4-48)
19.	H14A19	H14A19	H14A19	Strike
20.	H14A20 11X339 58X310 H18A54	H14A20 11X339 58X310 H18A54	H14A20 11X339 58X310 H18A54	Strike Case Screw for Cat. H14A19 (10-30) Lockwasher for Cat. 11X339 Door Switch with Short Leads Gasket for Cat. 1GA21H3 Screw for Cat. 1GA21H3 (10-30) Retaining Spring for Cat. H18A54 Lockwasher for Cat. H18A54 Nut for Cat. H18A54
21.	H10A34	H10A34	H10A34	Door Jamb Strip, Bottom
22.	H10A113 H10A78 H10A79	H10A113 H10A78 H10A35 H10A79	H10A113 H10A78 H10A35 H10A79	Door Jamb Strip, Top Door Jamb Strip, Hinge Side, Right-Hand Cabinet Door Jamb Strip, Hinge Side, Left-Hand Cabinet
23.	H10A104	H10A104	H10A104	Door Jamb Strip, Latch Side
24.	H12X2	H12X2	H12X2	Screw for Door Jamb Strip (10-30)
25.	H9A27	H9A27	H9A27	Door Jamb Corner
26.	H3A112	H3A94	H3A104	INNER LINER WITH SHELF SUPPORTS
27.	H17A89	H17A89	H17A89	Shelf Support, Straight (1/2 in. long)
	H12A2 H20A110 H12X2 H20A74 H17A126 H17A127 H17A128 H20A167 78X81 H19A15 49X972 H13A142 H19A5 GE3014 H5A176 H5A214 H22A30 H5X20	H12A2 H20A110 H12X2 H20A74 H17A126 H17A127 H17A128 H20A167 78X81 H19A15 49X972 H13A142 H19A5 GE3014 H5A176 H5A214 H22A30 H5X20	H12A2 H20A110 H12X2 H20A74 H17A126 H17A127 H17A128 H20A167 78X81 H19A15 49X972 H13A142 H19A5 GE3014 H5A176 H5A214 H22A30 H5X20	Rubber Plug for Inner Liner Cover Screw for Inner Liner Cover (10-30) Washer (Fiber) for Cat. H12X2 Shelf, Top Shelf, Top, Removable Shelf, Bottom or Middle Ice Tray Lifter Hook Lamp Receptacle Lamp Receptacle with Porcelain Bushing, Short Leads Porcelain Bushing for Lamp Receptacle Rubber Bushing for Lamp Receptacle Lamp Guard Connector for Wires Cabinet Insulation, Set (Except B4A) Insulation Between Inner Liner Cover and Cabinet Cover (Except B4A) Insulation for Cat. H6A89 Cabinet Insulation (Kinsul, 18' Roll) (B4A Only) Accessories

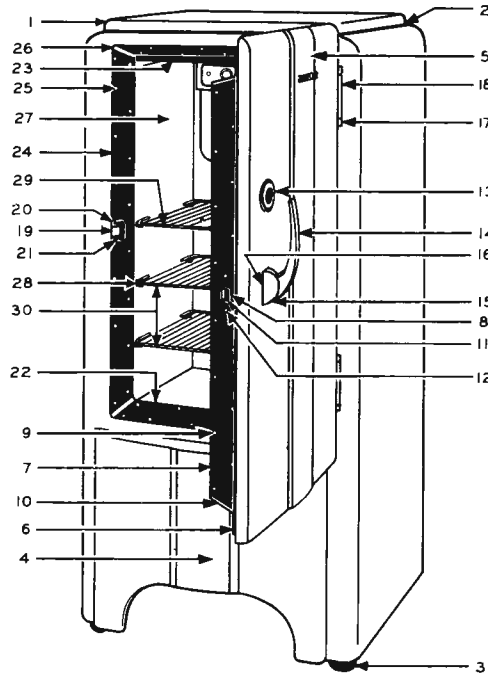
\*Refer to Accessories Section for Parts Included.

\*\*Superseded by Cat. H3A94 Inner Liner, Cat. 78X81 Lamp Receptacle, Cat. H19A26 Lamp Guard and Cat. H19A27 Rubber Bushing must be used with H3A94 Inner Liner

†Later Production B4A Cabinets used Cat. 105113 Screw (10-32) with Cat. 200384 Nut.

‡Later Production B4A Cabinets used Cat. 105136 Screw (10-32) with Cat. 200384 Nut and Cat. H20A380 Washer.

# RC4-38A—Cabinet Parts



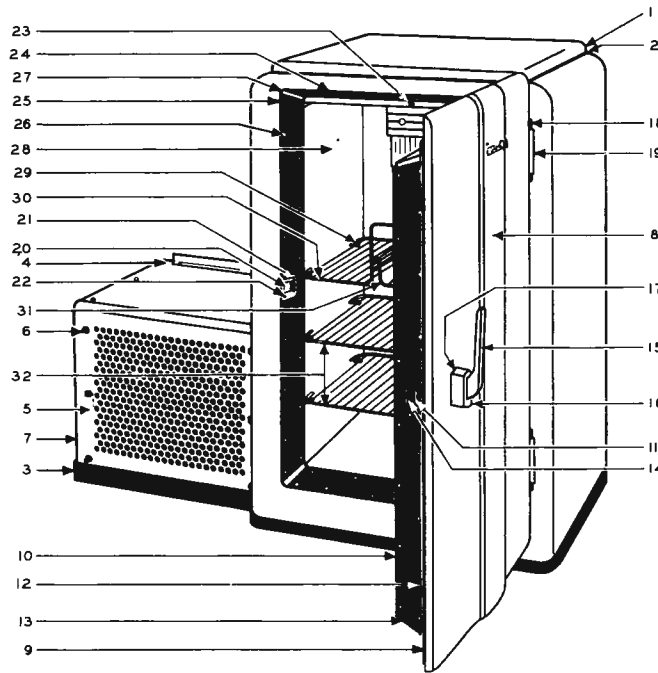
REF. NO.	CAT. NO.	NAME OF PART
1.	H4A49	TOP COVER FOR CABINET
2.	H13A151	Gasket for Top Cover
	H20A336	Clip for Top Cover, Front
	H20A162	Clip for Top Cover, Back
	H20A86	Screw for H20A336 (10-30)
	H20A60	Screw for H20A162 (No. 8)
	H20A287	Plate for Refrigerant Line Seal
	H20A288	Gasket for Refrigerant Line Seal
	H20A60	Screw for H20A287 (No. 8)
	H20A201	Clamp for Tubes, Upper
	H20A202	Clamp for Tubes, Lower
	H20A60	Screw for H20A201 and H20A202 (No. 8)
	H20A20	Spacer for Clamp H20A201
	H20A62	Screw for H20A20 (No. 8)
	179789	Fiber Washer for H20A62
	H27A40	BASE
	H20A15	Screw Fastening Refrigerating Machine to Base (5/16 in.-18)
	H18A18	Steel Washer for H20A15
	261646	Screw Fastening Refrigerating Machine to Angle Support (5/16 in.-18)
	H18A22	Washer for 261646 (7/8 in. O.D.)
	177811	Nut for 261646
3.	A2R9	Glider for Outer Case
	46X794	Screw Fastening Glider to Outer Case (1/4 in.-20)
	160980	Washer for 46X794 (3/4 in. O.D.)
	1X452	Nut for 46X794
4.	H6A89	LOWER DOOR PANEL
	H20A245	Spring Clip for H6A89
	H20A174	Screw for H20A245 (10-30)
	165736	Washer for H20A174 (5/8 in. O.D.)
	H20A242	Rubber Button Spacer for H6A89
	H20A181	Support for H6A89
	H20A49	Screw for H20A181 (No. 8)
	H20A240	Washer for H20A49 (7/8 in. O.D.)
	H20A239	Catch for Spring Clip Cat. H20A245
	H20A60	Screw for H20A239 (No. 8)
5.	H6A91	DOOR COMPLETE (RIGHT-HAND CABINET)
	H6A92	DOOR COMPLETE (LEFT-HAND CABINET)
5.	H7A110	Outer Door Panel (Right-Hand Cabinet)
	H7A111	Outer Door Panel (Left-Hand Cabinet)
6.	H13A66	Door Gasket
	H10A28	Door Strip, Hinge Side
	H10A33	Door Strip, Top or Bottom
7.	H10A103	Door Strip, Latch Side, with Escutcheon for Latch Bolt
8.	H15A41	Escutcheon for Door Strip and Latch Bolt
9.	H12X2	Screw for Door Strip (10-30)
10.	H9A10	Door Corner
	H7A22	Inner Door Panel
11.	H16A26	Latch, with Gasket, Nut, and Lockwasher
	H15A44	Spring for Latch
	H15A45	Nut for Latch and Handle
	H13A148	Gasket Between Latch and Outer Door Panel

REF. NO.	CAT. NO.	NAME OF PART
	H20A117	Lockwasher for H15A45
12.	11X339	Screw Fastening Latch to Door Strip (10-30)
13.	H15A42	Scuff Plate for Latch Handle
	58X326	Nut for Scuff Plate
	58X325	Lockwasher for 58X326
14.	H15A46	Latch Handle without Escutcheon
15.	H15A47	Escutcheon for Latch Handle
16.	H13A149	Gasket Between Latch Handle and Door Panel
17.	H16A35	Hinge with End Covers
18.	H16A36	Middle Cover for Hinge
	H20A47	Screw for Hinge (12-28)
	NP660868	Nameplate Clip
	H20A6	Screw for Nameplate Clip (4-48)
19.	R14A19	Strike
20.	H14A20	Strike Case
21.	11X339	Screw for Strike (10-30)
	58X310	Lockwasher for 11X339
	16A31H3	Door Switch with 8 in. Leads
	H12X2	Screw for Door Switch (10-30)
22.	H10A34	Door Jamb Strip, Bottom
23.	H10A113	Door Jamb Strip, Top
	H10A35	Door Jamb Strip, Hinge Side
24.	H10A104	Door Jamb Strip, Latch Side
25.	H12X2	Screw for Door Jamb Strip (10-30)
26.	H9A27	Door Jamb Corner
27.	H3A111	INNER LINER WITH SHELF SUPPORTS
28.	H17A89	Shelf Support, Straight
	H12A2	Screw for Shelf Support (1/4 in.-20)
	H3A105	Inner Liner Cover
	H12X2	Screw for H3A105 (10-30)
	H20A74	Washer for H12X2, Fiber (5/8 in. O.D.)
	H20A59	Cork Spacer Between Inner Liner Cover and Evaporator
	H20A337	Screw Fastening Evaporator to Inner Liner Cover (5/16 in.-18)
	H20A322	Washer for H20A337 (1-1/8 in. O.D.)
	H20A323	Cork Washer for H20A337 (1 in. O.D.)
	126869	Nut for H20A337
	61X328	Lockwasher for 126869
29.	H17A189	Shelf, Top
30.	H17A128	Shelf, Bottom or Middle
	H20A167	Hook for Ice Tray Lifter
	78X81	Lamp Receptacle
	H19A27	Bushing for Lamp Receptacle
	H19A26	Lamp Guard
	GE3014	Connector for Leads
	H5A176	Cabinet Insulation (set)
	H5A214	Insulation Between Inner Liner Cover and Top Cover
	H22A30	Insulation for Lower Door Panel
	H5A172	Insulation for Base
	150167	Screw Fastening Insulation to Base (10-32)
	165736	Washer for 150167 (5/8 in. O.D.)
	145996	Nut for 150167
	*AIR128	Accessories

\*Refer to Accessories Section for Parts Included.

Always Give Catalog Number

## - BY4-38A and BY4-39A—Cabinet Parts



BY4-38

REF. NO.	CATALOG NUMBER		NAME OF PART
	BY4-38A	BY4-39A	
1.	H4A49	H4A49	TOP COVER FOR CABINET
2.	H13A151	H13A151	Gasket for Top Cover
	H20A161	H20A336	Clip for Top Cover (Front)
	H20A162	H20A162	Clip for Top Cover (Back)
	H20A86	H20A86	Screw for Cat. H20A161 and H20A336 (10-30)
	H20A60	H20A60	Screw for Cat. H20A162, or Refrigerant Line Sealing Plate (No. 8)
	H20A201	H20A201	Clamp for Refrigerant Line (Upper)
H20A202	H20A202	Clamp for Refrigerant Line (Lower)	
H20A60	H20A60	Screw for Cat. H20A201 or H20A202 (No. 8)	
H20A20	H20A20	Spacer for Cat. H20A201	
H20A62	H20A62	Screw for Cat. H20A20 (No. 8)	
80X132	80X132	Washer for Cat. H20A62	
3.	H27A82	H27A82	BASE FOR RIGHT-HAND CABINET
	H27A80	H27A80	BASE FOR LEFT-HAND CABINET
	6X737	6X737	Screw Fastening Refrigerating Machine to Base (5/16 in.-18)
	H18A18	H18A18	Washer for Cat. 6X737
4.	H4A51	H4A51	Refrigerating Machine Compartment Cover
	H20A335	H20A335	Angle Supporting Cat. H4A51
	58X345	58X345	Screw for Cat. H4A51 or H20A335 (No. 10)
	179789	179789	Washer, (Fiber) for Cat. 58X345 (13/32 in. O.D.)
	H18A38	H18A38	Washer, (Brass, Nickel Plated) for Cat. 58X345
5.	H20A331	H20A331	Perforated Cover for Refrigerating Machine Compartment
	46X784	46X784	Screw for Cat. H20A331 (Outer Side) (1/4 in.-20)
	69X893	69X893	Screw for Cat. H20A331, (Cabinet Side) (No. 10)
	H20A344	H20A344	Speed Nut for Cat. 46X784
	H17A89	H17A89	Thumb Nut for Cat. 69X893 or 46X784
	153179	153179	Washer for Cat. 69X893 or 46X784
	H18A3	H18A3	Washer for Cat. 69X893 or 46X784 (Fiber)
	H8A85	H8A85	Side Panel for Refrigerating Machine Compartment (Right-Hand Cabinet)
	H8A86	H8A86	Side Panel for Refrigerating Machine Compartment (Left-Hand Cabinet)
	69X893	69X893	Screw Fastening Side Panel to Base (No. 10)
H20A138	H20A138	Washer for Cat. 69X893	
69X893	69X893	Screw Fastening Vertical Angle of Refrigerating Machine Compartment to Cabinet (No. 10)	
8.	H6A212	H6A212	DOOR FOR RIGHT-HAND CABINET
	H6A213	H6A213	DOOR FOR LEFT-HAND CABINET
8.	H7A196	H7A196	Outer Door Panel (Right-Hand Cabinet)
	H7A197	H7A197	Outer Door Panel (Left-Hand Cabinet)
9.	H13A66	H13A66	Door Gasket
	H10A28	H10A28	Door Strip, Hinge Side
	H10A33	H10A33	Door Strip, Top or Bottom
	H10A103	H10A103	Door Strip, Latch Side with Escutcheon for Latch Bolt
11.	H15A41	H15A41	Escutcheon for Door Strip and Latch Bolt

REF. NO.	CATALOG NUMBER		NAME OF PART	
	BY4-38A	BY4-39A		
12.	H12X2	H12X2	Screw for Door Strip (10-30)	
13.	H9A10	H9A10	Door Corner	
	H7A22	H7A22	Inner Door Panel	
14.	H15A26	H15A26	Latch with Gasket, Nut, and Lockwasher	
	H15A44	H15A44	Spring for Latch	
	H15A45	H15A45	Nut for Latch and Handle	
	H13A148	H13A148	Gasket Between Latch and Outer Door Panel	
	H20A117	H20A117	Lockwasher for Cat. H15A45	
	11X339	11X339	Screw Fastening Latch to Door Strip (10-30)	
	15.	H15A50	H15A50	Latch Handle without Escutcheon
	16.	H15A31	H15A47	Escutcheon for Latch Handle
	17.	H13A104	H13A149	Gasket Between Latch Handle and Door Panel
	18.	H16A37	H16A49	Hinge with End Covers
18.	H16A38	H16A50	Middle Cover for Hinge	
	H20A47	H20A47	Screw for Hinge (12-28)	
18.	NP660868	NP660868	Nameplate Clip	
	H20A6	H20A6	Screw for Nameplate Clip (4-48)	
20.	H14A19	H14A19	Strike	
21.	H14A20	H14A20	Strike Case	
22.	11X339	11X339	Screw for Cat. H14A19 (10-30)	
	58X310	58X310	Lockwasher for Cat. 11X339	
23.	1GA21H3	1GA21H3	Door Switch with 8 inch Leads	
	H12X2	H12X2	Screw for Door Switch (10-30)	
24.	H10A34	H10A34	Door Jamb Strip, Bottom	
	H10A113	H10A113	Door Jamb Strip, Top	
25.	H10A35	H10A35	Door Jamb Strip, Hinge Side	
	H10A104	H10A104	Door Jamb Strip, Latch Side	
26.	H12X2	H12X2	Screw for Door Jamb Strip (10-30)	
27.	H9A27	H9A27	Door Jamb Corner	
28.	H3A94	H3A94	INNER LINER WITH SHELF SUPPORTS	
	H17A89	H17A89	Shelf Support, Straight	
29.	H12A2	H12A2	Screw for Shelf Support (1/4 in.-20)	
	H20A110	H20A110	Rubber Plug for Inner Liner Cover	
30.	H12X2	H12X2	Screw for Inner Liner Cover (10-30)	
	H20A74	H20A74	Washer for H12X2, Fiber (5/8 in. O.D.)	
31.	H17A126	H17A214	Shelf, Top	
31.	H17A127	H17A215	Shelf, Top, Removable	
	H17A128	H17A128	Shelf, Bottom or Middle	
32.	H20A167	-	Ice Tray Lifter Hook	
	-	H20A282	Bracket for Ice Tray Separator Release	
78X81	78X81	78X81	Lamp Receptacle	
	H19A27	H19A27	Bushing for Lamp Receptacle	
H19A26	H19A26	H19A26	Lamp Guard	
	GE3014	GE3014	Connector for Leads	
H5X20	H5X20	H5X20	Cabinet Insulation (Kimsul, 18' roll)	
	A1R127	A1R150	*Accessories	

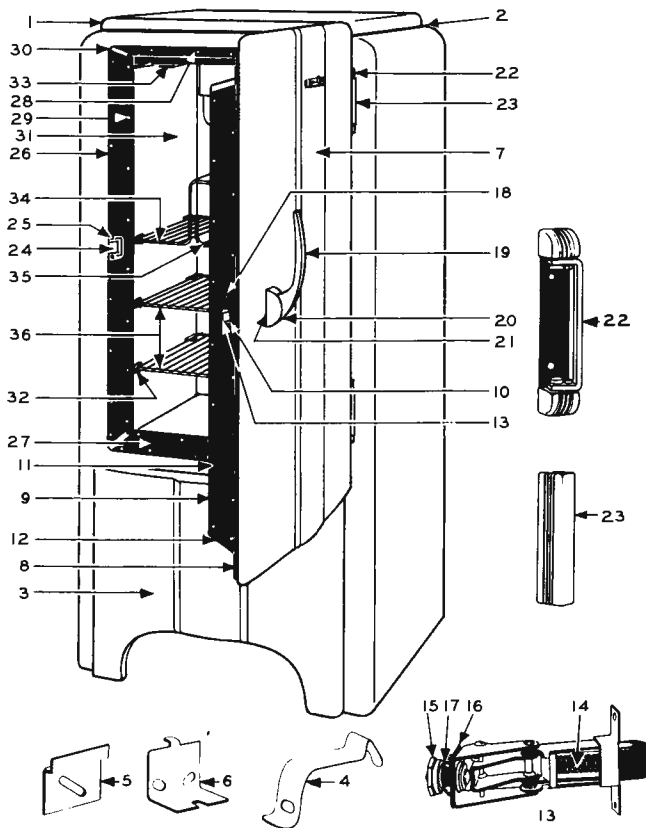
\*Refer to Accessories Section for Parts included.

†Later Production Cabinets used Cat. 105136 Screw (10-32) with Cat. 200384 Nut and Cat. H20A380 Washer.

Always Give Catalog Number



### JB4-39A - Cabinet Parts



REF. NO.	CAT. NO.	NAME OF PART
	165736	Washer for Cat. H20A174
	H20A242	Rubber Button Spacer for Cat. H6A89
5.	H20A181	Support for Cat. H6A89
	H20A49	Screw for Cat. H20A181 (No. 8)
	H20A240	Washer for Cat. H20A49
6.	H20A239	Catch for Spring Clip Cat. H20A245
	H20A60	Screw for Cat. H20A239 (No. 8)
7.	-	DOOR FOR CABINET
7.	H7A196	Outer Door Panel (Right-Hand Cabinet)
	H7A197	Outer Door Panel (Left-Hand Cabinet)
8.	H13A66	Door Gasket
	H10A28	Door Strip, Hinge Side
	H10A33	Door Strip, Top or Bottom
9.	H10A103	Door Strip, Latch Side, with Escutcheon for Latch Bolt
10.	H15A41	Escutcheon for Door Strip and Latch Bolt
11.	H12X2	Screw for Door Strip (10-30)
12.	H9A10	Door Corner
	H7A22	Inner Door Panel
13.	H15A26	Latch with Gasket, Nut and Lockwasher
14.	H15A44	Spring for Latch
15.	H15A45	Nut for Latch and Handle
16.	H13A148	Gasket Between Latch and Outer Door Panel
17.	H20A117	Lockwasher for Latch Handle Nut
18.	11X339	Screw Fastening Latch to Door Strip (10-30)
19.	H15A62	Latch Handle without Escutcheon
20.	H15A47	Escutcheon for Latch Handle
21.	H13A149	Gasket Between Latch Handle and Outer Door Panel
22.	H16A49	Hinge with End Covers
23.	H16A50	Middle Cover for Hinge
	H20A47	Screw Fastening Hinge to Cabinet or Door (12-28)
	NP66086B	Nameplate Clip
	H20A6	Screw for Nameplate Clip (4-48)
24.	H14A19	Strike for Latch Bolt
25.	H14A20	Strike Case
	11X339	Screw for Cat. H14A19 (10-30)
	58X310	Lockwasher for Cat. H14A19
	1GA21H3	Door Switch with 8 inch Leads
	H13A181	Gasket for Cat. 1GA21H3
	H12X2	Screw for Cat. 1GA21H3 (10-30)
26.	H10A104	Door Jamb Strip, Latch Side
27.	H10A34	Door Jamb Strip, Bottom
28.	H10A113	Door Jamb Strip, Top
	H10A35	Door Jamb Strip, Hinge Side
29.	H12X2	Screw for Door Jamb Strip (10-30)
30.	H9A27	Door Jamb Corner
31.	H3A94	INNER LINER WITH SHELF SUPPORT
32.	H17A89	Shelf Support, Straight (1/2 in. long)
	H12A2	Screw for Cat. H17A89 (1/4 in.-20)
	H20A110	Rubber Plug for Inner Liner Cover
	†H12X2	Screw Fastening Inner Liner Cover to Inner Liner (10-30)
	†H20A74	Washer (Fiber) for Cat. H12X2
	†H20A75	Washer (Rubber) for Cat. H12X2
33.	H20A282	Bracket for Ice Tray Separator Release
	H20A60	Screw for Cat. H20A282 (No. 8)
34.	H17A214	Shelf, Offset, Top
35.	H17A215	Shelf, Removable
36.	H17A128	Shelf, Bottom or Middle
	78X81	Lamp Receptacle
	H19A27	Bushing for Lamp Receptacle
	H19A26	Lamp Guard
	GE3014	Connector for Wire
	H5X20	Cabinet Insulation (Kimsul, 18' roll)
	*AIR148	Accessories

REF. NO.	CAT. NO.	NAME OF PART
1.	H4A49	TOP COVER FOR CABINET
2.	H13A151	Gasket for Top Cover
	H20A336	Clip for Top Cover, Front
	H20A162	Clip for Top Cover, Back
	H20A86	Screw for Cat. H20A336 (10-30)
	H20A60	Screw for Cat. H20A162 or Refrigerant Line Sealing Plate (No. 8)
	69X893	Screw Fastening Condenser to Outer Case, Upper (No. 10)
	H20A243	Rubber Spacer for Back of Condenser
	H20A62	Screw for Cat. H20A243 (No. 8)
	80X132	Washer for Screw Cat. H20A62
	58X366	Cap Screw Fastening Condenser to Outer Case, Lower (5/16 in.-18)
	177811	Nut for Cat. 58X366
	H18A22	Washer for Cat. 58X366
	A2R9	Glider for Outer Case
	46X794	Cap Screw for A2R9, Flat Head (1/4"-20 x 3/4") (Early Production Cabinets)
	48X242	Cap Screw for A2R9, Round Head (1/4"-20 x 7/8") (Late Production Cabinets)
	H20A160	Speed Nut for Cat. 46X794
	261646	Cap Screw Fastening Refrigerating Machine to Angle Support (5/16 in.-18)
	177811	Nut for Cat. 261646
3.	H6A89	LOWER DOOR PANEL
4.	H20A245	Spring Clip for Cat. H6A89
	*H20A174	Screw for Cat. H20A245 (10-30)

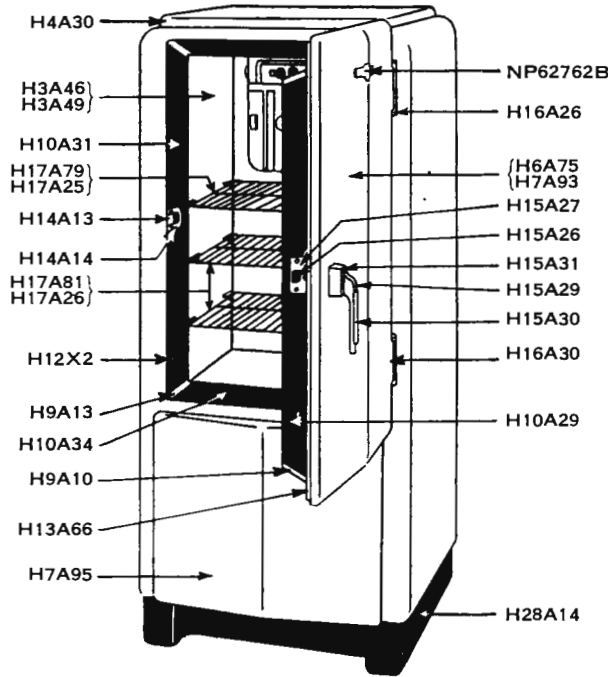
\*Refer to Accessories Section for Parts Included.

†Later Production Cabinets used Cat. 105113 Screw (10-32) with Cat. 200384 Nut.

‡Later Production Cabinets used Cat. 105136 Screw (10-32) with Cat. 200384 Nut and Cat. H20A380 Washer.

Always Give Catalog Number

## VP-4A, VP-4C—Cabinet Parts

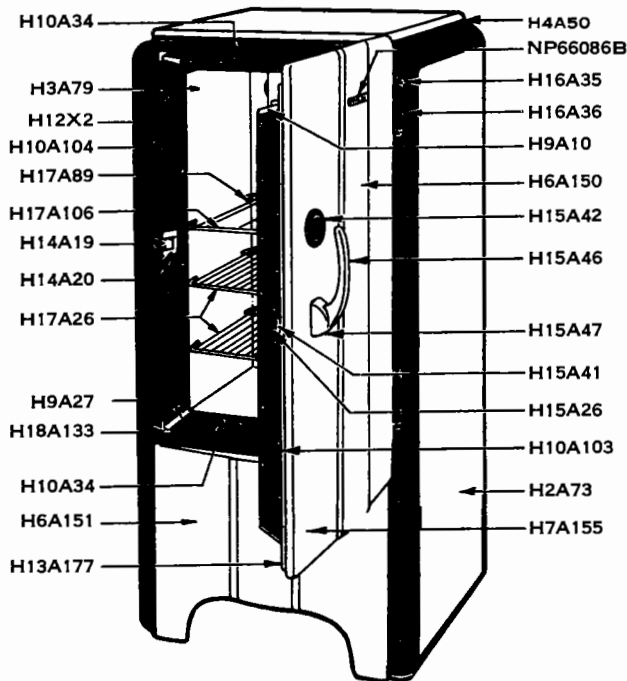


Name of Part	Cat. No.	
	VP-4A	VP-4C
†Accessories	A1R59	A1R67
Outer Case (Right Hand)	H2A33	H2A33
Outer Case (Left Hand)	H2A34	H2A34
Inner Liner with Shelf Supports	H3A46	H3A49
Cabinet Cover	H4A30	H4A30
Cabinet Insulation (Set)	H5A119	H5A119
Insulation between Liner Cover and Top Cover	H5A140	H5A140
Door Complete (Right Hand)	H6A75	H6A75
Door Complete (Left Hand)	H6A76	H6A76
Inner Cabinet Door Panel	H7A22	H7A22
Outer Cabinet Door Panel (Right Hand)	H7A93	H7A93
Outer Cabinet Door Panel (Left Hand)	H7A94	H7A94
Door Panel with Catches for Refrigerating Machine Compartment	H7A95	H7A95
Door Corner	H9A10	H9A10
Door Jamb Corner	H9A13	H9A13
Door Strip (Vertical, Hinge Side)	H10A28	H10A28
Door Strip (Vertical, Latch Side)	H10A29	H10A29
Door Jamb Strip (Vertical, Latch Side)	H10A31	H10A31
Door Strip (Horizontal)	H10A33	H10A33
Door Jamb Strip (Horizontal)	H10A34	H10A34
Door Jamb Strip (Vertical, Hinge Side, Right-Hand Cabinet)	H10A78	H10A78
Door Jamb Strip (Vertical, Hinge Side, Left-Hand Cabinet)	H10A79	H10A79
Tapping Strip for Outer Case (Vertical)	H11A11	H11A11
Tapping Strip for Inner Liner (Vertical)	H11A13	H11A13
Tapping Strip for Door (Outer, Vertical, Latch Side)	H11A15	H11A15
Tapping Strip for Door (Outer, Vertical, Hinge Side)	H11A16	H11A16
Tapping Strip for Door (Inner, Vertical)	H11A18	H11A18
Tapping Strip for Hinge and Outer Case	H11A20	H11A20
Tapping Strip for Outer Case (Horizontal)	H11A24	H11A24
Tapping Strip for Inner Liner (Horizontal)	H11A25	H11A25
Tapping Strip for Door (Outer, Horizontal)	H11A26	H11A26
Tapping Strip for Door (Inner, Horizontal)	H11A27	H11A27
Tapping Strip for Hinge and Door	H11A47	H11A47
Tapping Strip for Inner Liner Cover	H11A49	H11A49
Tapping Strip for Outer Case and Condenser Screw	H11A59	H11A59
Screw for Shelf Support	H12A2	H12A2
Screw for Door Jamb Strip, Door Strip, or Inner Liner Cover	H12X2	H12X2
Rubber Door Gasket	H13A66	H13A66
Gasket for H4A30 Cover	H13A80	H13A80
Gasket between Hinge Tapping Strip and Door Panel	H13A83	H13A83
Gasket for Latch Handle Escutcheon Plate and Outer Door Panel	H13A104	H13A104
Rubber Bushing for Light Receptacle	H13A142	H13A142
Gasket for H20A18 Cover Clip	H13A145	H13A145
Strike	H14A13	H14A13
Strike Case	H14A14	H14A14
Latch Case with Bolt and Spring, Gasket and Nut	H15A26	H15A26
Escutcheon Plate for Latch Bolt	H15A27	H15A27
Latch Handle with Trim	H15A29	H15A29
Trim for Latch Handle	H15A30	H15A30
Escutcheon Plate for Latch Handle	H15A31	H15A31

† Refer to Accessories Section for parts included.

Name of Part	Cat. No.	
	VP-4A	VP-4C
Nut fastening Handle to Latch	H15A32	H15A32
Spring for Latch Case	H15A44	H15A44
Hinge (without Cover)	H16A26	H16A26
Cover for Hinge	H16A30	H16A30
Shelf Support (Straight)	H17A1	H17A1
Shelf Support (Headed)	H17A3	H17A3
Shelf (Large, Upper)	H17A79	H17A25
Shelf (Small, Upper)	H17A80	H17A80
Shelf (Middle or Bottom)	H17A81	H17A26
Washer for H12A2 Screw	H18A3	H18A3
Washer for 177811 Nut (5/8" O.D.)	H18A18	H18A18
Washer for H20A15 or 106775 Screws	H18A22	H18A22
Momentary Contact Switch with Leads	H18A54	H18A54
Rivet for H11A20, or H11A47 Tapping Strips	H18A92	H18A92
Door Jamb Corner Trim	H18A133	H18A133
Lamp Guard	H19A5	H19A5
Spring for H18A54 Switch	H19A6	H19A6
Light Receptacle with Retaining Ring and Short Leads		H19A15
Rivet for H11A11, H11A13, H11A15, H11A16, H11A24, H11A25, or H11A26 Strips	H20A4	H20A4
Screw for Nameplate Clip	H20A6	H20A6
Speed Nut for 49X789 Receptacle	H20A8	H20A8
Clip for Skirt	H20A13	H20A13
Clip for Cover (Front)	H20A14	H20A14
Cap Screw fastening Cabinet to Base (1/2" long)	H20A15	H20A15
Clip for Cover (Back)	H20A18	H20A18
Screw for Hinge	H20A47	H20A47
Gasket for Hinge	H20A56	H20A56
Screw for H20A14, H20A18 or H20A61 Clips	H20A60	H20A60
Spring Clip for Refrigerating Machine Compartment Panel	H20A61	H20A61
Fiber Washer for H12X2 Screw	H20A74	H20A74
Rubber Washer for H12X2 Screw	H20A75	H20A75
Tray Lifter Hook	H20A98	H20A98
Plug for Inner Liner Cover	H20A110	H20A110
Washer for H20A6 Screw	H20A116	H20A116
Lockwasher for H15A32 Nut	H20A117	H20A117
Rivet for H11A59 Tapping Strip	H20A118	H20A118
Catch for Refrigerating Machine Compartment Panel	H20A137	H20A137
Washer for 11X339 Screw	H20A138	H20A138
Base for Cabinet and Refrigerating Machine	H27A15	H27A15
Skirt for Base	H28A14	H28A14
Cap Screw fastening Refrigerating Machine to Base (1/2" long)	106775	106775
Cap Screw fastening Condenser to Base	153609	153609
Screw for Tube Seal	153998	153998
Washer for 69X893 Screw	165736	165736
Nut for 106775 or Screw fastening Condenser to Base	177811	177811
Washer for 153998 Screw	179789	179789
Screw for H14A13, H15A27, or H20A137	11X339	11X339
Nut for 153998 Screw	29X705	29X705
Light Receptacle with Leads	49X789	49X789
Retaining Ring for Light Receptacle		49X972
Lockwasher for 11X339 Screw	58X310	58X310
Screw fastening Condenser to Cabinet	69X893	69X893
Connector for Leads	GE3014	GE3014
Clip for Nameplate	NP62762B	NP62762B

## PB-4-37A—Cabinet Parts



- |         |  |
|---------|--|
| A1R94†  | Accessories  |
| A2R9    | Glider for Outer Case  |
| H2A73   | Outer Case (Right-Hand Cabinet)  |
| H2A74   | Outer Case (Left-Hand Cabinet)   |
| H3A79   | Inner Liner with Shelf Supports  |
| H4A50   | Cabinet Cover  |
| H5A146  | Insulation between Inner Liner Cover and Cabinet Cover                         |
| H5A169  | Cabinet Insulation (Set)   |
| H6A149  | Door Complete (Left-Hand Cabinet)  |
| H6A150  | Door Complete (Right-Hand Cabinet)   |
| H6A151  | Refrigerating Machine Compartment Door   |
| H7A22   | Inner Door Panel   |
| H7A155  | Outer Door Panel (Right-Hand Cabinet)  |
| H7A156  | Outer Door Panel (Left-Hand Cabinet)   |
| H9A10   | Door Corner  |
| H9A27   | Door Jamb Corner   |
| H10A28  | Door Strip (Vertical, Hinge Side)  |
| H10A33  | Door Strip (Horizontal)  |
| H10A34  | Door Jamb Strip (Horizontal)   |
| H10A78  | Door Jamb Strip (Vertical, Hinge Side, Right-Hand Cabinet)                     |
| H10A79  | Door Jamb Strip (Vertical, Hinge Side, Left-Hand Cabinet)                      |
| H10A103 | Door Strip (Vertical, Latch Side, with Escutcheon for Latch Bolt)              |
| H10A104 | Door Jamb Strip (Vertical, Latch Side)   |
| H11A11  | Tapping Strip for Outer Case (Vertical)  |
| H11A13  | Tapping Strip for Inner Liner (Vertical)                                       |
| H11A16  | Tapping Strip for Outer Door Panel (Vertical, Hinge Side)                      |
| H11A18  | Tapping Strip for Inner Door Panel (Vertical)                                  |
| H11A20  | Tapping Strip for Hinge and Outer Case   |
| H11A24  | Tapping Strip for Outer Case (Bottom)  |
| H11A25  | Tapping Strip for Inner Liner (Horizontal)                                     |
| H11A26  | Tapping Strip for Outer Door Panel (Horizontal)                                |
| H11A27  | Tapping Strip for Inner Door Panel (Horizontal)                                |
| H11A47  | Tapping Strip for Outer Door Panel and Hinge                                   |
| H11A49  | Tapping Strip for Screw Fastening Inner Liner Cover to Inner Liner             |
| H11A59  | Tapping Strip for Condenser and Outer Case (Top)                               |
| H11A101 | Tapping Strip with Bolt, Nut and Washer, for Outer Case and Condenser (Bottom) |
| H11A102 | Tapping Strip for Outer Case (Top)   |
| H11A103 | Tapping Strip for Outer Door Panel (Vertical, Latch Side)                      |
| H12A2   | Screw for Shelf Support  |

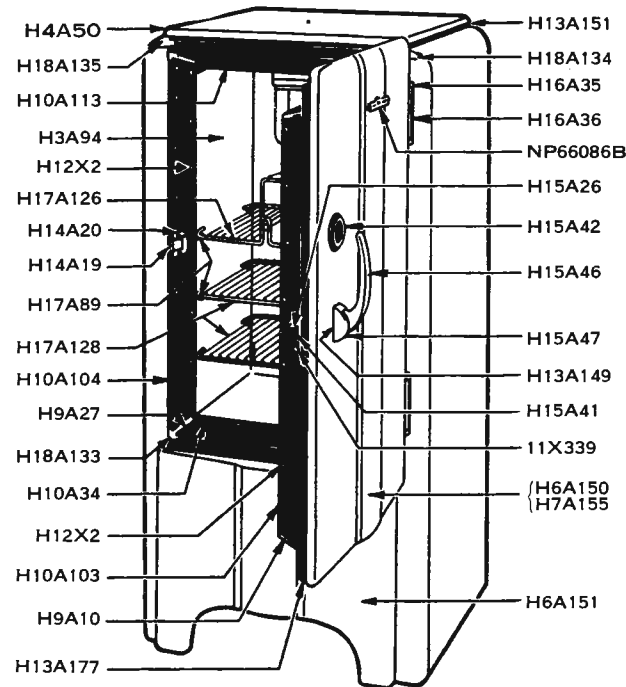
- |          |   |
|----------|---|
| H12X2    | Screw for Door Strip, Door Jamb Strip or Inner Liner Cover                    |
| H13A83   | Gasket for H11A47 Tapping Strip   |
| H13A142  | Rubber Bushing for Light Receptacle   |
| H13A148  | Gasket between Latch Case and Outer Door Panel                                |
| H13A149  | Seal for Latch Handle   |
| H13A151  | Gasket for H4A44 Cabinet Cover  |
| H13A164  | Gasket between Tapping Strip and Back of Outer Case                           |
| H13A165  | Gasket between H20A162 Clip and Outer Case                                    |
| H13A166  | Gasket for Tube Seal (1 1/2" long)  |
| H13A167  | Gasket for Tube Seal (2 1/2" long)  |
| H13A168  | Gasket between Lower Condenser Feet and Outer Case                            |
| H13A169  | Gasket for H11A101 Tapping Strip and Outer Case                               |
| H13A177  | Rubber Door Gasket  |
| H13A179  | Gasket for H18A134 or H18A135 Trim  |
| H14A19   | Strike  |
| H14A20   | Strike Case   |
| H15A26   | Latch Case with Bolt, Spring, Gasket and Nut                                  |
| H15A41   | Escutcheon for Door Strip   |
| H15A42   | Scuff Plate for Latch Handle  |
| H15A44   | Spring for Latch Case and Bolt  |
| H15A45   | Nut Fastening Latch Case and Latch Handle to Outer Door Panel                 |
| H15A46   | Latch Handle, without Escutcheon Plate  |
| H15A47   | Escutcheon Plate for Latch Handle   |
| H16A35   | Hinge with End Covers   |
| H16A36   | Cover for Hinge   |
| H17A26   | Shelf (Middle or Bottom)  |
| H17A89   | Shelf Support   |
| H17A106  | Shelf (Top)   |
| H18A22   | Washer for 177811 Nut   |
| H18A43   | Washer between Condenser and Outer Case (Bottom)                              |
| H18A54   | Momentary Contact Switch with Short Leads                                     |
| H18A92   | Rivet Fastening H11A20 to Outer Case, or for H11A47 Tapping Strip             |
| H18A133  | Door Jamb Corner Trim   |
| H18A134  | Trim for Upper Right-Hand Corner of Outer Case (Front)                        |
| H18A135  | Trim for Upper Left-Hand Corner of Outer Case (Front)                         |
| H19A5    | Lamp Guard  |
| H19A6    | Retaining Spring for Momentary Contact Switch                                 |
| H19A15   | Light Receptacle with Porcelain Bushing (Short Leads)                         |
| H19A18   | Lockwasher for Momentary Contact Switch                                       |
| H19A21   | Nut Fastening Momentary Contact Switch to Door Jamb Strip                     |
| H20A4    | Rivet Fastening Tapping Strip to Outer Case, Outer Door Panel, or Inner Liner |
| H20A6    | Screw for Nameplate Clip  |
| H20A47   | Screw for Hinge   |
| H20A56   | Gasket between Hinge and Outer Case or between Hinge and Outer Door Panel     |
| H20A60   | Screw for H20A162 Clip  |
| H20A74   | Fiber Washer for Screw Fastening Inner Liner Cover to Inner Liner             |
| H20A75   | Rubber Washer for Screw Fastening Inner Liner Cover to Inner Liner            |
| H20A86   | Screw for H20A161 Clip  |
| H20A110  | Rubber Plug for Inner Liner Cover   |
| H20A117  | Lockwasher for Latch Handle Nut   |
| H20A118  | Rivet Fastening H11A59 or H11A101 Tapping Strips to Outer Case                |
| H20A160  | Speed Nut for 46X779 Screw  |
| H20A161  | Clip for Cabinet Cover (Front)  |
| H20A162  | Clip for Cabinet Cover (Back)   |
| H20A165  | Spring Catch for Refrigerating Machine Compartment Door (Left-Hand Side)      |
| H20A166  | Spring Catch for Refrigerating Machine Compartment Door (Right-Hand Side)     |
| H20A167  | Ice Tray Lifter Hook  |
| H20A168  | Washer for H18A134 or H18A135 Trim  |
| H20A181  | Catch for Refrigerating Machine Compartment Door                              |
| H20A182  | Rubber Spacer for Refrigerating Machine Compartment Door                      |
| H20A188* | Set of Parts to eliminate Unit Vibration                                      |
| H20A230  | Washer under Scuff Plate or Nameplate   |
| H20A235  | Fiber Shim between Hinge and Cabinet  |
| H22A30   | Insulation for Refrigerating Machine Compartment Door                         |
| 165736   | Washer for 69X893 Screw or Steel Washer under Scuff Plate                     |
| 177811   | Nut for H11A101 Tapping Strip or 261646 Screw                                 |
| 261646   | Screw Fastening Compressor Unit to Angle Support                              |
| 11X339   | Screw for Strike or Latch Case  |
| 46X779   | Screw Fastening Glider to Cabinet   |
| 58X310   | Lockwasher for 11X339 Strike Screw  |
| 58X325   | Lockwasher for 58X326 Nut   |
| 58X326   | Nut for Scuff Plate   |
| 58X337   | Screw for H20A181 Catch   |
| 69X893   | Screw Fastening Unit Condenser to Back of Outer Case                          |
| GE3014   | Connector for Lead  |
| NP66086B | Nameplate Clip  |

† Refer to Accessories Section for parts included.

\* Consists of H20A189 Supporting Angle, H20A190 Wooden Block, 153609 Screw, 261646 Adjusting Screw, 177811 Nut and 1440873 Washer.

Always Give Catalog Number

## PB-4-38A—Cabinet Parts

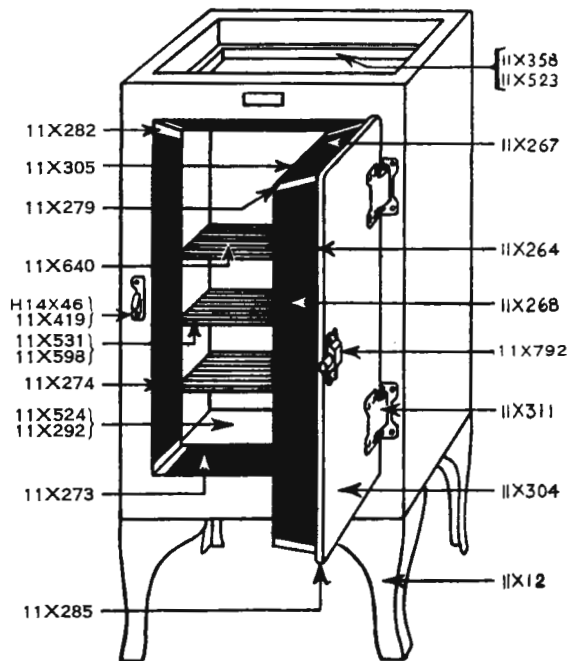


- |         |   |          |   |
|---------|---|----------|---|
| A1R101† | Accessories   | H17A89   | Shelf Support (Straight)  |
| A2R9    | Glider for Outer Case   | H17A126  | Shelf (Top)   |
| H2A73   | Outer Case (Right-Hand Cabinet)   | H17A127  | Shelf (Top, Removable)  |
| H2A74   | Outer Case (Left-Hand Cabinet)  | H17A128  | Shelf (Bottom or Middle)  |
| H3A94   | Inner Liner with Shelf Supports   | H18A22   | Washer for 271318 or 261646 Screws  |
| H4A50   | Cabinet Cover   | H18A43   | Fiber Washer for 271318 Screw   |
| H5A180  | Cabinet Insulation (Set)  | H18A92   | Rivet for H11A20 or H11A47 Tapping Strips   |
| H5A214  | Insulation between Inner Liner Cover and Cabinet Cover  | H18A133  | Door Jamb Corner Trim   |
| H6A149  | Door Complete (Left-Hand Cabinet)   | H18A134  | Trim for Upper Right-Hand Corner of Outer Case (Front)  |
| H6A150  | Door Complete (Right-Hand Cabinet)  | H18A135  | Trim for Upper Left-Hand Corner of Outer Case (Front)   |
| H6A151  | Refrigerating Machine Compartment Door  | H19A26   | Lamp Guard  |
| H7A22   | Inner Door Panel  | H19A27   | Bushing for Light Receptacle  |
| H7A155  | Outer Door Panel (Right-Hand Cabinet)   | H20A4    | Rivet for Tapping Strip H11A11, H11A13, H11A16, H11A24, H11A25, H11A26, H11A102 or H11A103 Tapping Strips |
| H7A156  | Outer Door Panel (Left-Hand Cabinet)  | H20A6    | Screw for Nameplate Clip  |
| H9A10   | Door Corner   | H20A47   | Screw for Hinge   |
| H9A27   | Door Jamb Corner  | H20A49   | Screw for H20A181 Catch   |
| H10A28  | Door Strip (Vertical, Hinge Side)   | H20A56   | Gasket between Hinge and Outer Case, or between Hinge and Outer Door Panel                                |
| H10A33  | Door Strip (Horizontal)   | H20A60   | Screw for H20A162 Clip or H20A239 Catch   |
| H10A34  | Door Jamb Strip (Bottom)  | H20A62   | Screw Fastening H20A243 Spacer to Bottom of Condenser   |
| H10A35  | Door Jamb Strip (Vertical, Hinge Side)  | H20A74   | Fiber Washer for H12X2 Screw Fastening Inner Liner Cover to Inner Liner                                   |
| H10A103 | Door Strip (Vertical, Latch Side, with Escutcheon for Latch Bolt)   | H20A86   | Screw for H20A336 Clip  |
| H10A104 | Door Jamb Strip (Vertical, Latch Side)  | H20A110  | Rubber Plug for Inner Liner Cover   |
| H10A113 | Door Jamb Strip (Top)   | H20A117  | Lockwasher for Latch Handle Nut   |
| H11A11  | Tapping Strip for Outer Case (Vertical)   | H20A118  | Rivet for H11A59 Tapping Strip  |
| H11A13  | Tapping Strip for Inner Liner (Vertical)  | H20A160  | Speed Nut for 46X794 Screw  |
| H11A16  | Tapping Strip for Outer Door Panel (Vertical, Hinge Side)   | H20A162  | Clip for Cabinet Cover (Back)   |
| H11A18  | Tapping Strip for Inner Door Panel (Vertical)   | H20A167  | Ice Tray Lifter Hook  |
| H11A20  | Tapping Strip for Outer Case and Hinge  | H20A168  | Washer for H18A134 or H18A135 Trim  |
| H11A24  | Tapping Strip for Outer Case (Bottom)   | H20A174  | Screw Fastening Spring to Refrigerating Machine Compartment Door  |
| H11A25  | Tapping Strip for Inner Liner (Horizontal)  | H20A181  | Catch for Refrigerating Machine Compartment Door  |
| H11A26  | Tapping Strip for Outer Door Panel (Horizontal)   | H20A230  | Rubber Washer for Scuff Plate   |
| H11A27  | Tapping Strip for Inner Door Panel (Horizontal)   | H20A235  | Fiber Shim between Hinge and Cabinet  |
| H11A47  | Tapping Strip for Outer Door Panel and Hinge  | H20A239  | Catch for Refrigerating Machine Compartment Door Spring   |
| H11A49  | Tapping Strip for Screw Fastening Inner Liner Cover to Inner Liner, or Spring to Refrigerating Machine Compartment Door | H20A240  | Washer for H20A181 Catch  |
| H11A59  | Tapping Strip for Outer Case and Condenser  | H20A242  | Rubber Button Spacer for Refrigerating Machine Compartment Door   |
| H11A102 | Tapping Strip for Outer Case (Top)  | H20A243  | Rubber Spacer for Bottom of Condenser   |
| H11A103 | Tapping Strip for Outer Door Panel (Vertical, Latch Side)   | H20A245  | Spring for Refrigerating Machine Compartment Door   |
| H12A2   | Screw for Shelf Support   | H20A336  | Clip for Cabinet Cover (Front)  |
| H12X2   | Screw for Door Strip, Door Jamb Strip, Light Switch or Inner Liner Cover  | H22A30   | Insulation for Refrigerating Machine Compartment Door   |
| H13A83  | Gasket for H11A47 Tapping Strip   | 165736   | Washer for 69X893 or H20A174 Screws   |
| H13A148 | Gasket between Latch Handle and Outer Door Panel  | 177811   | Nut for 271318 or 261646 Screws   |
| H13A149 | Seal for Latch Handle   | 261646   | Screw Fastening Compressor Unit to Angle Support  |
| H13A151 | Gasket for H4A44 Cabinet Cover  | 271318   | Screw Fastening Condenser to Back of Outer Case (Lower)   |
| H13A165 | Gasket for H20A162 Clip   | 11X339   | Screw for H14A19 Strike, H14A20 Strike Case, or H15A26 Latch Case   |
| H13A166 | Gasket for Tube Seal (1¼" long)   | 46X794   | Screw Fastening Glider to Cabinet   |
| H13A177 | Rubber Door Gasket  | 58X310   | Lockwasher for 11X339 Strike Screw  |
| H13A179 | Gasket for H18A134 or H18A135 Trim  | 58X325   | Lockwasher for 58X326 Nut   |
| H13A181 | Fiber Gasket between Light Switch and Door Jamb Strip   | 58X326   | Nut for Scuff Plate or for Fastening H18A134 or H18A135 Trim to Outer Case                                |
| H14A19  | Strike  | 69X893   | Screw Fastening Unit Condenser to Back of Outer Case  |
| H14A20  | Strike Case   | 78X81    | Light Receptacle  |
| H15A26  | Latch Case with Bolt, Spring, Gasket and Nut  | 80X132   | Washer for H20A62 Screw   |
| H15A41  | Escutcheon for Door Strip and Latch Bolt  | 1GA21H3  | Momentary Contact Switch with 8" Leads  |
| H15A44  | Scuff Plate for Latch Handle  | GE3014   | Connector for Leads   |
| H15A45  | Spring for Latch Case and Bolt  | NP66086B | Nameplate Clip  |
| H15A46  | Nut Fastening Latch Case and Latch Handle to Outer Door Panel   |          |   |
| H15A47  | Latch Handle without Escutcheon   |          |   |
| H15A47  | Escutcheon for Latch Handle   |          |   |
| H16A35  | Hinge with End Covers   |          |   |
| H16A36  | Center Cover for Hinge  |          |   |

† Refer to Accessories Section for parts included.

Always Give Catalog Number

## G-40\* and S-42—Cabinet Parts

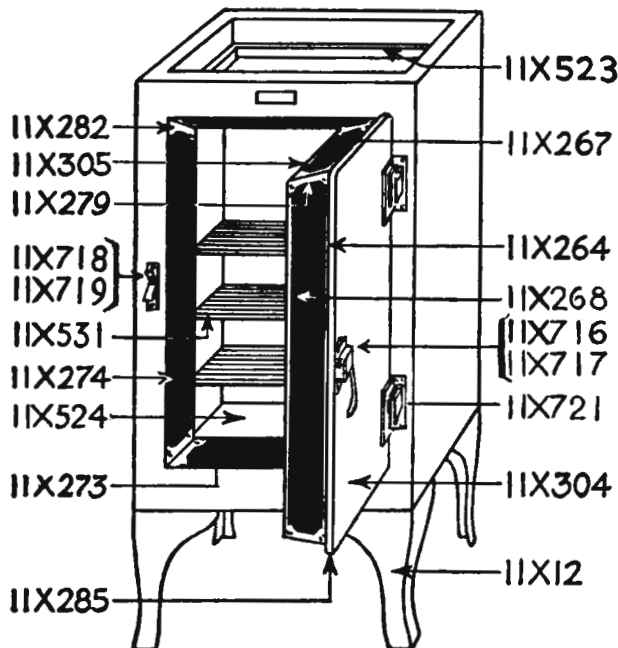


\*G-35 Cabinet has same replaceable parts as G-40

Note: The accessories furnished depend on the unit used. Refer to the Accessories Section.

- 11X12 Leg for G-40 and S-42
- 11X264 Rubber Door Gasket Complete for G-40 and S-42
- 11X267 Door Strip (Horizontal) for G-40 and S-42
- 11X268 Door Strip (Vertical) for G-40 and S-42
- 11X273 Door Jamb Strip (Horizontal) for G-40 and S-42
- 11X274 Door Jamb Strip (Vertical) for G-40 and S-42
- 11X279 Door Corner for G-40 and S-42
- 11X282 Door Jamb Corner for G-40 and S-42
- 11X285 Door Complete for G-40 and S-42
- 11X292 Inner Liner for G-40
- 11X304 Outer Door Panel for G-40 and S-42
- 11X305 Inner Door Panel for G-40 and S-42
- 11X311 Hinge for G-40 and S-42
- 11X337 Hardware Screw for G-40 and S-42
- 11X339 Door Strip Screw for G-40 and S-42
- 11X340 Nameplate Screw for G-40 and S-42
- 11X357 Upper Sponge Rubber Gasket for G-40
- 11X358 Lower Sponge Rubber Gasket for G-40
- 11X419 Strike (Left Hand) for G-40 and S-42
- 11X523 Lower Sponge Rubber Gasket for S-42
- 11X524 Inner Liner for S-42
- 11X531 Straight Adjustable Shelf for S-42
- 11X598 Adjustable Straight Shelf for G-40
- 11X640 Special (New Unit Replacement) Shelf for G-40
- 11X681 Upper Sponge Rubber Gasket for S-42
- 11X792 Latch for G-40 and S-42
- 11X811 Set of Insulation for G-40 and S-42
- H13A52 Lower Sponge Rubber Gasket (S-42 with CA-1 or CK-1 Unit)
- H13A105 Lower Sponge Rubber Gasket (G-35 or G-40 with CK-1 Unit)
- H14X46 Strike (Right Hand) for G-40 and S-42
- H17A66 Special Top Shelf (G-40 with DR-1E or F Unit) Replace Straight
- H17A67 Special Top Shelf (G-35 with DR-1E or F Unit) Replace Offset
- H17A68 Special Top Shelf (S-42 with CK-1, DR-1E or F Unit)

## SS-42 and S-44—Cabinet Parts

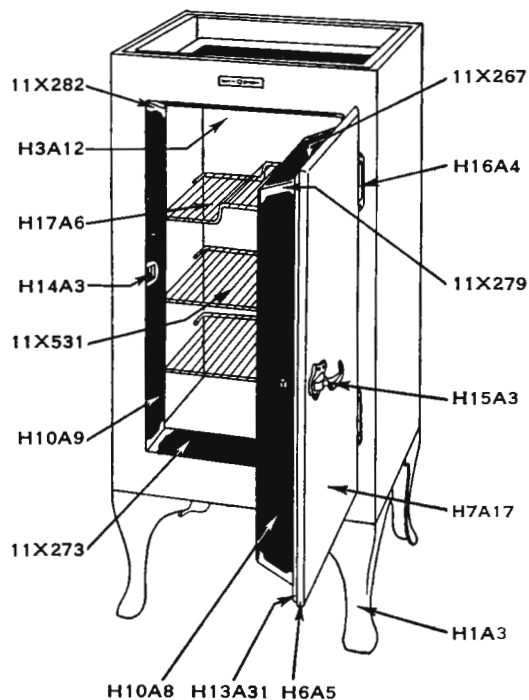


Note: The accessories furnished depend on the unit used. Refer to the Accessories Section.

- 11X12 Leg
- 11X264 Rubber Door Gasket (4 Pieces)
- 11X267 Door Strip (Horizontal)
- 11X268 Door Strip (Vertical)
- 11X273 Door Jamb Strip (Horizontal)
- 11X274 Door Jamb Strip (Vertical)
- 11X279 Door Corner
- 11X282 Door Jamb Corner
- 11X285 Complete Door
- 11X304 Outer Door Panel
- 11X305 Inner Door Panel
- 11X340 Nameplate Screw
- 11X523 Sponge Gasket (Lower)
- 11X524 Inner Liner
- 11X531 Shelf (Adjustable)
- 11X681 Sponge Gasket (Upper)
- 11X716 Latch (Right Hand)
- 11X717 Latch (Left Hand)
- 11X718 Strike (Right Hand)
- 11X719 Strike (Left Hand)
- 11X721 Hinge
- 11X785 Door Strip Screw
- 11X789 Hardware Screw
- 11X814 Set of Insulation
- H13A52 Lower Sponge Rubber Gasket (CA-1 or CK-1 Unit)
- H17A68 Special Top Shelf (CK-1, DR-1E or F Unit)
- H18A104 Tapping Strip for Hinge
- H18A105 Tapping Strip for Latch

Always Give Catalog Number

## HX-47A and B—Cabinet Parts



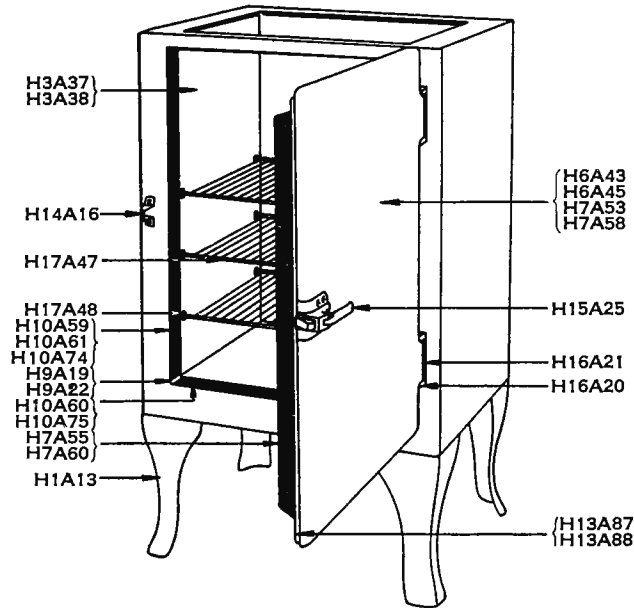
H1A3	Leg	H15A54	Latch Handle Pin
H3A12	Inner Liner	H16A4	Hinge
H5A12	Insulation (Set)	H17A6*	Shelf (Top Adjustable)
H6A5	Door Complete	H18A18	Washer for H20A15 Cap Screw
H7A17	Outer Door Panel	H18A76	Shim for Latch
H10A8	Door Strip with Escutcheon Plate (Vertical, Latch Side)	H20A15	Cap Screw for Leg
H10A9	Door Jamb Strip (Vertical, Latch Side)	11X267	Door Strip (Horizontal)
H12A10	Hardware Screw (Except Strike)	11X268	Door Strip (Vertical, Hinge Side)
H13A31	Rubber Door Gasket	11X273	Door Jamb Strip (Horizontal)
H13A32	Gasket for Leg	11X274	Door Jamb Strip (Vertical, Hinge Side)
H13A33	Gasket for Inner Liner (Form A)	11X279	Door Corner
H13A49	Gasket for Inner Liner (Form B)	11X282	Door Jamb Corner
H14A3	Strike and Case	11X305	Inner Door Panel
H14A6	Case for Strike	11X339	Screw for Door Strip, Door Jamb Strip or Strike
H14A8	Strike	11X340	Screw for Nameplate
H15A3	Latch	11X531	Shelf (Adjustable)
H15A4	Latch Bolt with Rivet	58X23†	Accessories
H15A49	Latch Handle Spring		

\* To use CK-1 Unit Replace with 11X531 Shelf.

† Refer to Accessories Section for parts included.

Always Give Catalog Number

## X-3A, X-4A and X-4B—Cabinet Parts



Name of Part	Cat. No.		
	X-3A	X-4A	X-4B
†Accessories .....	A1R48	A1R48	A1R48
Leg (11 $\frac{3}{8}$ "") .....	H1A13	H1A13	H1A13
Leg (8"") .....	H1A14	H1A14	H1A14
Inner Liner with Shelf Supports .....	H3A38	H3A37	H3A37
Cabinet Insulation (Set) .....	H5A77	†	†
Insulation Filler Piece (Side) .....			H5A96
Insulation Filler Piece (Bottom) .....			H5A97
Door Complete (Right Hand) .....	H6A45	H6A43	H6A43
Door Complete (Left Hand) .....	H6A46	H6A44	H6A44
Outer Door Panel (Right-Hand Cabinet) .....	H7A58	H7A53	H7A53
Outer Door Panel (Left-Hand Cabinet) .....	H7A59	H7A54	H7A54
Inner Door Panel .....	H7A60	H7A55	H7A55
Door Jamb Corner .....	H9A19	H9A19	H9A22
Door Jamb Strip (Vertical) .....	*H10A61	H10A59	H10A74
Door Jamb Strip (Horizontal) .....	H10A60	H10A60	H10A75
Hinge Tapping Strip for Outer Case .....	H11A20	H11A20	H11A20
Tapping Strip for Inner Liner (Horizontal) .....	H11A51	H11A51	H11A51
Tapping Strip for Inner Liner (Vertical) .....	H11A57	H11A52	H11A52
Tapping Strip for Outer Case (Horizontal) .....	H11A53	H11A53	H11A53
Tapping Strip for Outer Case (Vertical) .....	H11A58	H11A54	H11A54
Strike Tapping Strip .....	H11A55	H11A55	H11A55

Name of Part	Cat. No.		
	X-3A	X-4A	X-4B
Hinge Tapping Strip for Door .....	H11A56	H11A56	H11A56
Screw for Door Jamb Strip .....	H12X2	H12X2	H12X2
Gasket for Leg .....	H13A27	H13A27	H13A27
Gasket for Door .....	H13A88	H13A87	H13A87
Strike .....	H14A16	H14A16	H14A16
Latch .....	H15A25	H15A25	H15A25
Hinge .....	H16A20	H16A20	H16A20
Cover for Hinge .....	H16A21	H16A21	H16A21
Shelf .....	H17A47	H17A47	H17A47
Shelf Support .....	H17A48	H17A48	H17A48
Top Shelf .....	H17A51		
Split Shelf (Back Half) .....		H17A59	H17A59
Split Shelf (Front Half) .....		H17A61	H17A61
Washer for H20A15 Screw .....	H18A18	H18A18	H18A18
Rivet for Outer Case Tapping Strip .....	H18A92	H18A92	H18A92
Rivet for Inner Liner Tapping Strip .....	H20A4	H20A4	H20A4
Cap Screw for Leg .....	H20A15	H20A15	H20A15
Screw for Hinge .....	H20A47	H20A47	H20A47
Screw for Strike .....	H20A67	H20A67	H20A67
Screw for Latch .....	H20A68	H20A68	H20A68
Shim for Strike .....	H20A69	H20A69	H20A69
Shim for Latch .....	H20A70	H20A70	H20A70
Screw for Inner Door Panel .....	H20A71	H20A71	H20A71
Washer for H20A71 Screw .....	H20A72	H20A72	H20A72
Wood Screw for H11A56 Tapping Strip .....	1209	1209	1209

\* Order H10A61 for Latch Side and H10A62 for Hinge Side.

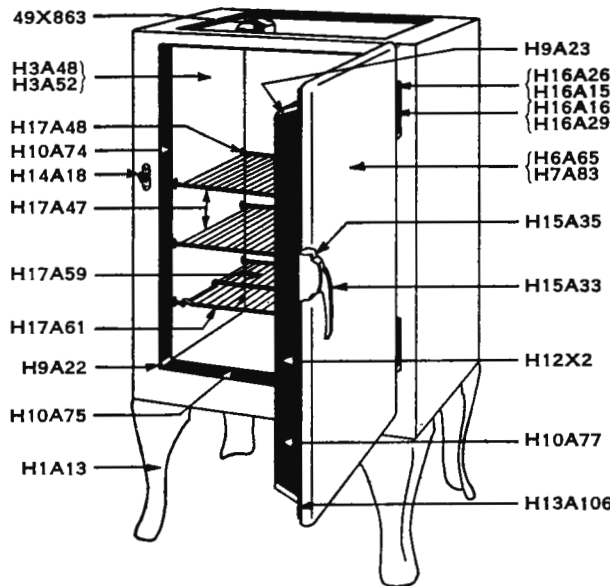
† Refer to Accessories Section for parts included.

‡ Use Kimsul. Cat. H5X20 covers 18' roll.

H20A114 Set of Parts to change X-4A Cabinet to X-4B Cabinet  
(Consists of 2 each H10A74, H10A75, H5A96 and 1-H5A97, 4-H9A22, 12-H12X2)

Always Give Catalog Number

## M-4A, M-4C—Cabinet Parts



Name of Part	Cat. No.	
	M-4A	M-4C
†Accessories.....	A1R61	A1R61
Leg.....	H1A13	H1A13
Inner Liner.....	*H3A48	H3A52
Cabinet Insulation (Set).....	H5A102	H5A102
Door Complete (Right-Hand Cabinet).....	H6A65	H6A65
Door Complete (Left-Hand Cabinet).....	H6A66	H6A66
Outer Door Panel (Right-Hand Cabinet).....	H7A83	H7A83
Outer Door Panel (Left-Hand Cabinet).....	H7A84	H7A84
Inner Door Panel.....	H7A85	H7A85
Door Jamb Corner.....	H9A22	H9A22
Door Corner.....	H9A23	H9A23
Door Jamb Strip (Vertical, Latch Side).....	H10A74	H10A74
Door Jamb Strip (Horizontal).....	H10A75	H10A75
Door Strip (Horizontal).....	H10A76	H10A76
Door Strip (Vertical).....	H10A77	H10A77
Door Jamb Strip (Vertical, Hinge Side, Right-Hand Cabinet).....	H10A84	H10A84
Door Jamb Strip (Vertical, Hinge Side, Left-Hand Cabinet).....	H10A85	H10A85
Tapping Strip for Hinge and Outer Case.....	H11A20	H11A20
Tapping Strip for Door and Hinge.....	H11A47	H11A47
Tapping Strip for Inner Liner (Horizontal).....	H11A51	H11A51
Tapping Strip for Inner Liner (Vertical).....	H11A52	H11A52
Tapping Strip for Outer Case (Horizontal).....	H11A53	H11A53
Tapping Strip for Outer Case (Vertical).....	H11A54	H11A54
Tapping Strip for Strike and Outer Case.....	H11A60	H11A60
Tapping Strip for Door (Inner, Horizontal).....	H11A61	H11A61
Tapping Strip for Door (Inner, Vertical).....	H11A62	H11A62
Tapping Strip for Door (Outer, Horizontal).....	H11A63	H11A63
Tapping Strip for Door (Outer, Vertical).....	H11A64	H11A64
Tapping Strip for Door and Latch.....	H11A65	H11A65
Screw for Door Jamb Strip or Door Strip.....	H12X2	H12X2
Gasket for Leg.....	H13A27	H13A27
Gasket for Plug Receptacle.....	H13A60	H13A60
Rubber Door Gasket.....	H13A106	H13A106

† Refer to Accessories Section for parts included.

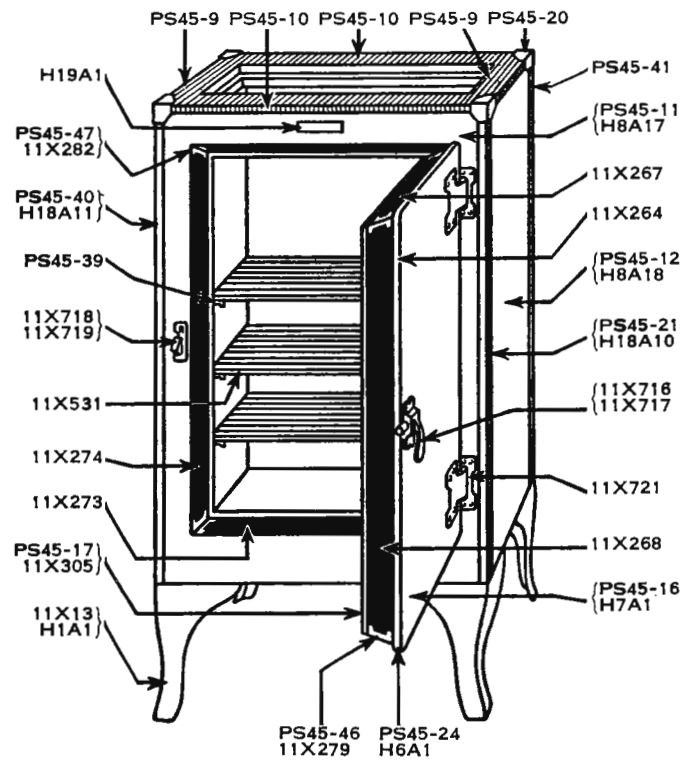
\* Superseded by H3A52 Inner Liner. Cat. H19A15 Lamp Receptacle and Cat. H13A142 Rubber Bushing must be used with H3A52 Liner.

Name of Part	Cat. No.	
	M-4A	M-4C
Rubber Bushing for Light Receptacle.....	.....	H13A142
Strike.....	H14A18	H14A18
Latch (Right-Hand Cabinet).....	H15A33	H15A33
Latch (Left-Hand Cabinet).....	H15A34	H15A34
Escutcheon Plate for Latch.....	H15A35	H15A35
Hinge for use with Cover 3 1/8" long.....	H16A15	.....
Cover for H16A15 Hinge.....	H16A16	.....
Hinge for use with Cover 3 1/8" long.....	H16A26	H16A26
Cover for H16A26 Hinge.....	H16A29	H16A29
Shelf (Middle or Top).....	H17A47	H17A47
Shelf Support.....	H17A48	H17A48
Shelf (Bottom, Rear).....	H17A59	H17A59
Shelf (Bottom, Front).....	H17A61	H17A61
Washer for H20A15 Screw.....	H18A18	H18A18
Momentary Contact Switch with Leads.....	H18A54	H18A54
Rivet for H11A20, H11A47, H11A60 or H11A65 Tapping Strips.....	H18A92	H18A92
Lamp Guard.....	H19A4	H19A5
Light Receptacle with Retaining Ring and Short Leads.....	.....	H19A15
Rivet for H11A51, H11A52, H11A53, H11A54, H11A63 or H11A64 Tapping Strips.....	H20A4	H20A4
Speed Nut for Light Receptacle.....	H20A8	.....
Retaining Washer for Plug Receptacle.....	H20A9	H20A9
Lock Nut for Plug Receptacle.....	H20A10	H20A10
Cap Screw for Leg.....	H20A15	H20A15
Screw for Hinge.....	H20A47	H20A47
Screw for Latch or Strike.....	H20A67	H20A67
Shim for Strike.....	H20A119	H20A119
Plug Receptacle with Leads.....	49X542	49X542
Light Receptacle.....	49X863	.....
Retaining Ring for Light Receptacle.....	.....	49X972
Connector for Leads.....	GE3014	GE3014

Always Give Catalog Number



## P-44E and PS-45\* — Cabinet Parts



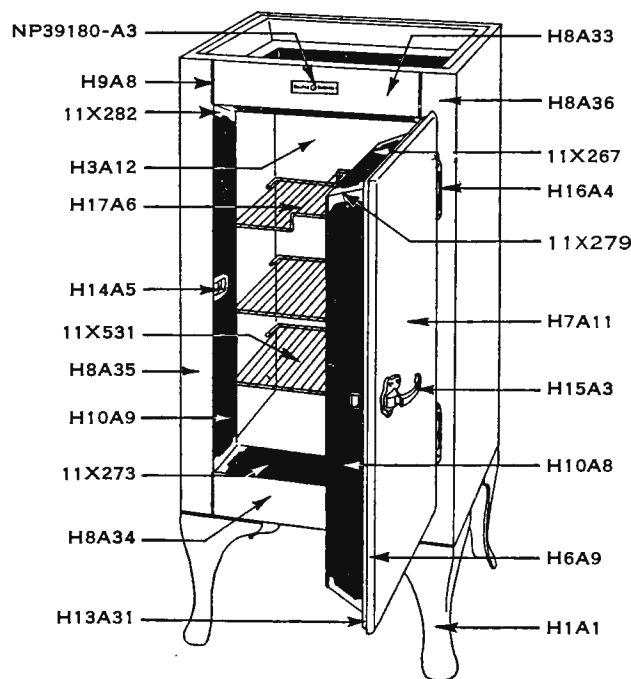
Name of Part	P-44E	PS-45
Aluminum Top Panel (Right or Left)		PS45-9
Aluminum Top Panel (Front or Rear)		PS45-10
Front Panel	H8A17	PS45-11
Side Panel (Right)	H8A18	PS45-12
Inner Liner	H3A1	PS45-15
Outer Door Panel	H7A1	PS45-16
Inner Door Panel	11X305	PS45-17
Shelf	11X531	See Note
Metal Corner (Cabinet)		PS45-20
Metal Stile (Right Front)	H18A10	PS45-21
Door Complete	H6A1	PS45-24
Shelf Lug		PS45-39
Metal Stile (Left Front)	H18A11	PS45-40
Metal Stile (Right Rear)		PS45-41
Metal Stile (Left Rear)		PS45-42
Side Panel (Left)	H8A19	PS45-45
Door Corner	11X279	PS45-46
Door Jamb Corner	11X282	PS45-47
Leg	H1A1	11X13
Rubber Door Gasket (4 Pieces)	11X264	11X264
Door Strip (Horizontal)	11X267	11X267
Door Strip (Vertical)	11X268	11X268
Door Jamb Strip (Horizontal)	11X273	11X273
Door Jamb Strip (Vertical)	11X274	11X274
Latch (Right Hand)	11X716	11X716

Name of Part	P-44E	PS-45
Latch (Left Hand)	11X717	11X717
Strike (Right Hand)	11X718	11X718
Strike (Left Hand)	11X719	11X719
Hinge	11X721	11X721
Hardware Screw	H12A3	11X789
Sponge Rubber Gasket	11X523	11X523
Door Gasket (Vertical)	H13A1	
Door Gasket (Horizontal)	11X799	
Screw for Door and Door Jamb Strip and Bottom of Outer Panels	11X339	
Screw for Metal Trim and Back of Side Panels	H12A8	
Washer for Side Panel Screws	H18A19	
Cap Screw for Leg	H12A9	
Fiber Washer for H12A9 Cap Screw	H18A17	
Metal Washer for H12A9 Cap Screw	H18A18	
Spacer for Leg	H18A9	
Washer for Hinge or Latch	H18A4	
Washer for Strike	H18A5	
Shim for Hinge	H18A6	
Shim for Strike	H18A7	
Shim for Latch	H18A8	
Shim for Latch (Middle)	H18A30	
Screw for Nameplate and Top of Side Panel	H12A4	
Washer for H12A4 Screw	H18A28	
Rubber Seal Screw for Door Jamb Strip	H13A2	

\* PS-45 Cabinets made by Bohn—Serial Numbers 4B32,001 to 4B33,000 and by Seeger—Serial Numbers 4S22,001 to 4S23,000  
 Note: Refer to last 3 pages of this section for Catalog Numbers for shelves.  
 Note: The accessories furnished depend on the unit used. Refer to the Accessories Section.

**Always Give Catalog Number**

## HT-47A and B—Cabinet Parts



H1A1	Leg	H15A4	Latch Bolt with Rivet for H15A3 Latch
H3A12	Inner Liner	H15A49	Latch Handle Spring
H5A11	Insulation (Set)	H15A54	Latch Handle Pin
H6A9	Door Complete	H16A4	Hinge
H7A11	Outer Door Panel	H17A6†	Shelf (Top Adjustable)
H8A33	Top Front Panel	H18A18	Washer for H12A9 Cap Screw
H8A34	Bottom Front Panel	H18A28	Washer for Nameplate Screw
H8A35*	Front Vertical Panel (Latch Side)	H18A38	Washer for Panel Screw
H8A36*	Front Vertical Panel (Hinge Side)	H18A39	Shim for Hinge (Door)
H9A8	Metal Trim	H18A40	Shim for Hinge (Cabinet)
H10A8	Door Strip with Escutcheon Plate (Vertical, Latch Side)	H18A41	Washer for Hinge
H10A9	Door Jamb Strip (Vertical, Latch Side)	H18A42	Washer for Latch
H12A8	Screw for Panels	H18A43	Washer for Leg
H12A9	Cap Screw for Leg	H18A76	Shim for Latch
H12A10	Hardware Screw	H18A89	"A" Frame for Outer Door Panel
H12A14	Screw for Nameplate	H18A92	Rivets for H18A89 Frame
H13A31	Rubber Door Gasket	H18A93	Rubber Bushing for Hinge Hole
H13A44	Gasket for Inner Liner (Form A)	11X267	Door Strip (Horizontal)
H13A47	Sponge Rubber Gasket for Side Panels	11X268	Door Strip (Vertical, Hinge Side)
H13A48	Sponge Rubber Gasket for Horizontal Panels	11X273	Door Jamb Strip (Horizontal)
H13A49	Gasket for Inner Liner (Form B)	11X274	Door Jamb Strip (Vertical, Hinge Side)
H14A5	Strike and Case	11X279	Door Corner
H14A6	Case for Strike	11X282	Door Jamb Corner
H14A7	Strike	11X305	Inner Door Panel
H15A3	Latch	11X339	Screw for Door or Door Jamb Strip
		11X531	Shelf (Adjustable)
		58X23†	Accessories

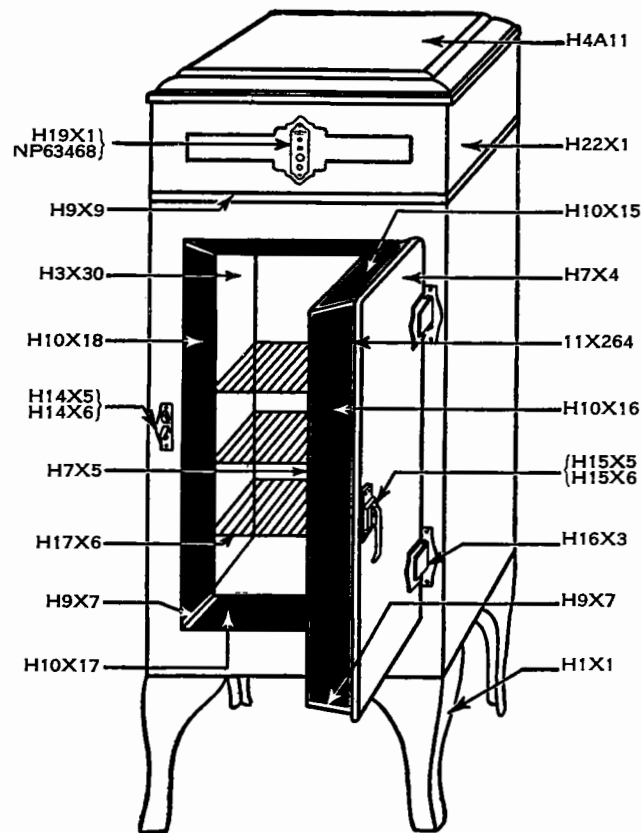
\* Panels furnished with eight screw holes as standard equipment. Panels with six screw holes can be furnished. However, purchase order must read accordingly.

† To use CK-1 Unit replace with 11X531 Shelf.

‡ Refer to Accessories Section for parts included.

Always Give Catalog Number

## E-5—Cabinet Parts

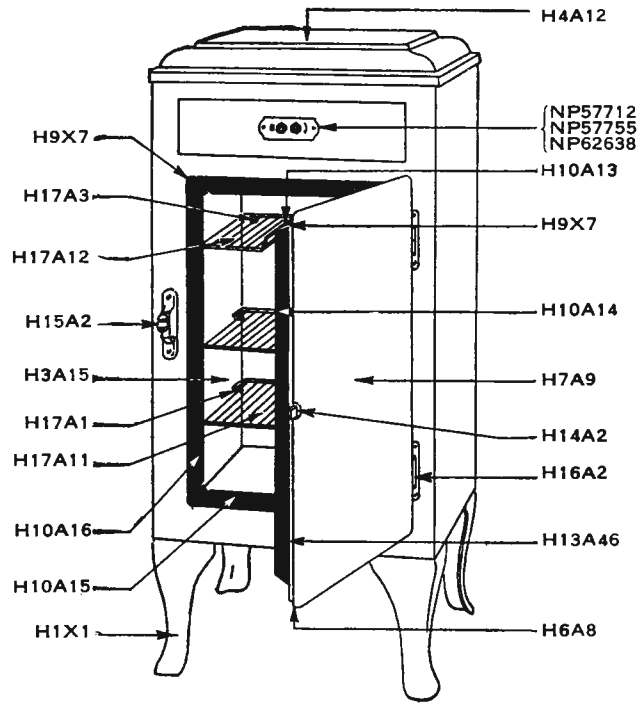


A1R132†	Accessories	H17X6	Shelf
H1X1	Leg	H18A1	Under Nut for Unit Case Screw
H3X30	Inner Liner	H18A2	Washer for Escutcheon Plate
H4A11	Unit Case Cover	H18A3	Washer for H12A2 Screw
H5A17	Cabinet Insulation (Set)	H18A18	Washer for H20A15 Cap Screw
H5A18	Insulation for Top Cover	H18A19	Washer for H12A12 Screw
H6X9	Door Complete	H18A48	Nut for 11X909 Screw
H7X4	Outer Door Panel	H18A49	Washer for 11X909 Screw
H7X5	Inner Door Panel	H18A62	Spring Clip for Cover
H9X7	Door and Door Jamb Corner	H18X10	Shim for Hinge (Cabinet)
H9X9	Metal Trim	H18X11	Shim for Hinge (Door)
H10X15	Door Strip (Horizontal)	H18X12	Shim for Latch
H10X16	Door Strip (Vertical)	H18X13	Shim for Strike
H10X17	Door Jamb Strip (Horizontal)	H18X15	Nut and Washer for Unit Case Bolt
H10X18	Door Jamb Strip (Vertical)	H18X16	Ventilating Duct
H12A2	Screw for Shelf Lug	H19X1	Escutcheon Plate (Non Defrost-off position on Right)
H12A12	Screw for Ventilating Duct	H20A15	Cap Screw for Leg
H12X2	Screw for Door or Door Jamb Strip	H22A9	Acoustic Insulation for Front of Unit Case
H12X6	Bolt for holding down Unit Case Cover	H22A10	Acoustic Insulation for Left Side of Unit Case
H13A1	Rubber Door Gasket (Vertical)	H22A11	Acoustic Insulation for Right Side of Unit Case
H13A22	Gasket for Inner Liner	H22A12	Acoustic Insulation for Ventilating Duct
H13X3	Sponge Gasket for Unit Case	H22X1	Unit Case
H13X4	Gasket for Unit Case	11X264	Rubber Door Gasket Complete
H14X5	Strike (Right)	11X340	Screw for Clip
H14X6	Strike (Left)	11X789	Hardware Screw
H15X5	Latch (Right)	11X799	Rubber Door Gasket (Horizontal)
H15X6	Latch (Left)	11X909	Screw for Escutcheon Plate
H16X3	Hinge	NP63468	Escutcheon Plate (Non Defrost-off position on Left)
H17A1	Shelf Support		

† Refer to Accessories Section for parts included.

Always Give Catalog Number

## HE-5A—Cabinet Parts

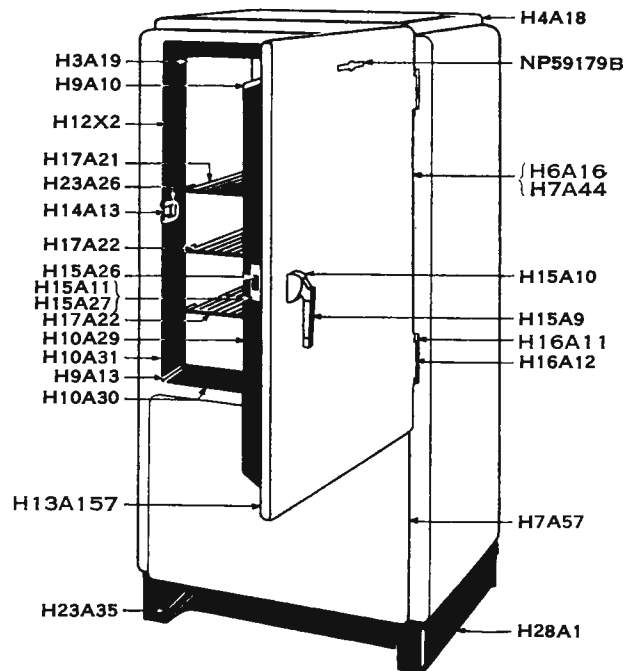


A1R11†	Accessories	H15A2	Latch
H1X1	Leg	H16A2	Hinge
H3A15	Inner Liner with Shelf Supports	H17A1	Shelf Support (Straight)
H4A12	Cover for Cabinet	H17A3	Shelf Support (Headed)
H5A19	Cabinet Insulation (Set)	H17A11	Shelf (Center or Lower)
H5A20	Insulation for Top Cover	H17A12	Shelf (Top)
H6A8	Door Complete	H18A2	Washer for Escutcheon Plate
H7A9	Outer Door Panel	H18A3	Washer for H12A2 Screw
H7A10	Inner Door Panel	H18A18	Washer for H20A15 Cap Screw
H9X7	Door Corner or Door Jamb Corner	H18A19	Washer for H12A12 Screw
H10A13	Door Strip (Horizontal)	H18A34	Nut for Latch Screw
H10A14	Door Strip (Vertical)	H18A48	Nut for 11X909 Screw
H10A15	Door Jamb Strip (Horizontal)	H18A49	Washer for 11X909 Screw
H10A16	Door Jamb Strip (Vertical)	H18A56	Support for Unit
H12A2	Screw for Shelf Support	H18A62	Spring Clip for Cover
H12A10	Hardware Screw	H18A78	Ventilating Duct
H12A12	Screw for Ventilating Duct	H20A15	Cap Screw for Leg
H12X2	Screw for Door Strip or Door Jamb Strip	H22A13	Acoustic Insulation Vent. Duct (Small)
H13A27	Gasket for Leg	H22A14	Acoustic Insulation Vent. Duct (Large)
H13A29	Gasket for Unit Support	H22A15	Acoustic Insulation Unit Case (Front)
H13A38	Gasket for Strike Cover and Door	H22A16	Acoustic Insulation Unit Case Side (Right or Left)
H13A39	Side Gasket for Cover	11X340	Screw for H18A62 Clip
H13A42	Gasket for Inner Liner	11X909	Screw for Escutcheon Plate
H13A45	Top Gasket for Cover	NP57712	Escutcheon Plate (Non-Defrost, off position at top)
H13A46	Rubber Door Gasket	NP57755	Escutcheon Plate (Defrost)
H14A2	Strike	NP62638	Escutcheon Plate (Non-Defrost, off position at bottom)

† Refer to Accessories Section for parts included.

Always Give Catalog Number

## F-5A—Cabinet Parts

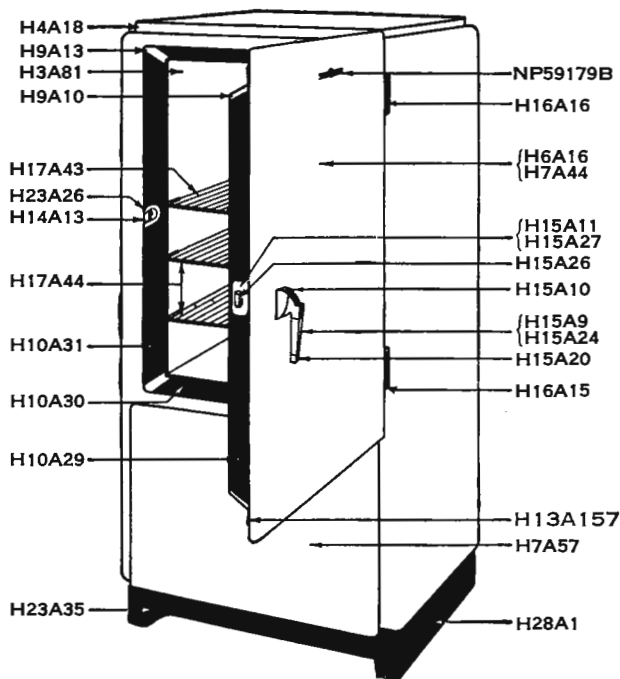


A1R26†	Accessories	H17A3	Shelf Support (Headed)
C20A81	Screw Fastening Evaporator to Inner Liner Cover	H17A20	Shelf (Top)
C20A82	Rubber Gasket between Inner Liner Cover and Washer	H17A21	Shelf (First from Top)
C20A83	Washer for C20A81 Screw	H17A22	Shelf (Bottom, or First from Bottom)
C20A86	Spacer between Evaporator and Inner Liner Cover	H17A73	Special Top Shelf (with CF-1 Unit)
H3A19	Inner Liner with Shelf Supports	H18A3	Fiber Washer (1/2" O.D.) for H12A2 or H20A16 Screw
H3A20	Inner Liner Cover	H18A22	Washer for H20A22 Cap Screw
H3A29	Special Liner Cover (CM-32 Unit Replacement)	H18A28	Washer for H20A15 Cap Screw
H4A18	Cabinet Cover	H18A54	Momentary Contact Switch with Leads
H5A35	Cabinet Insulation (Set)	H18A92	Rivet for Hinge Plate
H5A36	Insulation for Inner Liner Cover	H19A4	Lamp Guard
H5A37*	Insulation for H7A21 Refrigerating Machine Compartment Panel	H20A4	Rivet for Tapping Strip
H5A38	Insulation for Refrigerating Machine Compartment	H20A6	Screw for Nameplate Clip
H5A68	Insulation for H7A57 Refrigerating Machine Compartment Panel	H20A8	Speed Nut for 49X563 Receptacle
H6A16	Door Complete (Right-Hand Cabinet)	H20A13	Clip for Skirt and Base
H6A17	Door Complete (Left-Hand Cabinet)	H20A14	Clip for Cover (Front)
H7A18	Inner Door Panel	H20A15	Cap Screw Fastening Refrigerating Machine Base to Cabinet Base
H7A44	Outer Door Panel (Right-Hand Cabinet)	H20A16	Screw Fastening Inner Liner Cover to Inner Liner
H7A45	Outer Door Panel (Left-Hand Cabinet)	H20A18	Clip for Cover (Back)
H7A57*	Door Panel with Catches for Refrigerating Machine Compartment	H20A20	Rubber Spacer for Channel
H9A10	Door Corner	H20A21	Spring for Cabinet Door
H9A13	Door Jamb Corner	H20A22	Cap Screw for Fastening Cabinet to Base
H10A27	Door Strip (Horizontal)	H20A23	Shim for Cabinet Base
H10A28	Door Strip (Hinge Side)	H20A24	Support for H20A23 Shim
H10A29	Door Strip (Latch Side)	H20A46	Clamp for Tubing
H10A30	Door Jamb Strip (Horizontal)	H20A61	Spring Clip for Refrigerating Machine Compartment Panel
H10A31	Door Jamb Strip (Latch Side)	H20A66	Screw for Latch Handle Thimble
H10A32	Door Jamb Strip (Hinge Side)	H20A177†	Set of Parts for Installing CF-1 Unit
H11A11	Tapping Strip (Vertical) for Outer Case	H23A24	Sealing Cup with Connecting Rod
H11A12	Tapping Strip (Horizontal) for Outer Case	H23A26	Strike Case with Plunger (Right-Hand Cabinet)
H11A13	Tapping Strip (Vertical) for Inner Liner	H23A27	Strike Case with Plunger (Left-Hand Cabinet)
H11A14	Tapping Strip (Horizontal) for Inner Liner	H23A31	Foot Pedal Door Opener (Right-Hand Cabinet)
H11A15	Tapping Strip for Door (Outer, Latch Side)	H23A32	Foot Pedal Door Opener (Left-Hand Cabinet)
H11A16	Tapping Strip for Door (Outer, Hinge Side)	H23A33	Foot Pedal with Bracket and Hinge Pin (Right-Hand Cabinet)
H11A17	Tapping Strip for Door (Outer, Horizontal)	H23A34	Foot Pedal with Bracket and Hinge Pin (Left-Hand Cabinet)
H11A18	Tapping Strip for Door (Inner, Vertical)	H23A35	Rubber Boot for Foot Pedal
H11A19	Tapping Strip for Door (Inner, Horizontal)	H23A36	Connecting Rod between Foot Pedal and Turnbuckle
H11A20	Hinge Tapping Strip for Outer Casing	H23A37	Connecting Rod between Gland and Turnbuckle
H11A47	Hinge Tapping Strip for Door	H23A38	Connecting Rod between Sealing Cup and Plunger Rod
H12A2	Screw for Shelf Support	H23A39	Turnbuckle for Connecting Rods
H12A3	Screw for Hinge	H27A1	Base for Cabinet and Refrigerating Machine
H12A4	Screw for Sealing Cup and Gasket	H28A1	Skirt for Base
H12A8	Screw for H20A21 Spring	H29A1	Channel for Tubing (Full Length)
H12A12	Screw for H20A14 or H20A17 Clip or Tubing Channel	H29A4	Channel for Tubing (Short)
H12X2	Screw for Door Strip or Door Jamb Strip	13919	Nut for C20A81 Screw
F13A59	Gasket for Sealing Cup	14239	Cotter Pin for Foot Pedal and Rod
H13A63	Gasket between H15A10 Plate and Outer Door Panel	153179	Fiber Washer (3/4" O.D.) for H20A16 Screw
H13A64*	Rubber Door Gasket for H7A21 Refrigerating Machine Compartment Panel	153998	Screw for Tube Seal
H13A65	Soft Rubber Gasket for H4A18 Cover	160936	Cap Screw for Fastening Foot Pedal Bracket to Base
H13A157	Rubber Door Gasket for Cabinet	179789	Washer for H12A12 Screw
H14A13	Strike	465012	Steel Washer for H20A16 Screw
H15A9	Latch Handle	1480733	Nut for H20A22 Cap Screw
H15A10	Escutcheon Plate for Latch Handle	1X452	Nut for H20A16 Screw
H15A11	Escutcheon Plate for Latch Bolt (Old Style)	6X814	Lockwasher for 13919 Nut
H15A23	Thimble for Latch Handle Grip	11X339	Screw for Latch Bolt Escutcheon Plate, Strike or Clip for Skirt
H15A26	Latch Case with Bolt and Spring, Gasket and Nut	29X705	Nut for 153998 Screw
H15A27	Escutcheon Plate for Latch Bolt (New Style)	49X789	Light Receptacle with Leads
H15A44	Spring for Latch Case	64X973	Check Nut for Turnbuckle (Left-Hand Thread)
H16A11	Hinge	64X974	Check Nut for Turnbuckle (Right-Hand Thread)
H16A12	Cover for Hinge	64X975	Screw for Spacer
H17A1	Shelf Support (Straight)	NP59179B	Clip for Nameplate

\* H6A18 Door or H7A21 Door Panel, as originally furnished on cabinet, no longer available.  
 † Refer to Installation and Service Material Section for items in this set of parts.

‡ Refer to Accessories Section for parts included.

## KF-5A—Cabinet Parts



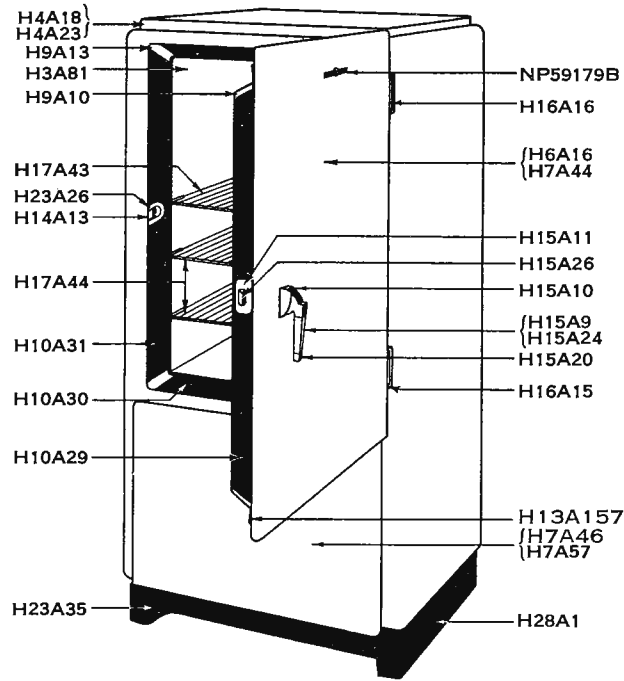
- |         |   |          |   |
|---------|---|----------|---|
| A1R44†  | Accessories   | H17A44   | Shelf (Bottom, or First from Bottom)                            |
| C20A81  | Screw fastening Evaporator to Inner Liner Cover               | H18A3    | Fiber Washer (1/2" O.D.) for H20A16 or H12A2 Screw              |
| C20A82  | Rubber Washer between Inner Liner Cover and Washer            | H18A18   | Small Washer for H20A15 or 106775 Screw                         |
| C20A83  | Washer for C20A81 Screw                                       | H18A22   | Large Washer for H20A15 Screw                                   |
| H3A28   | Inner Liner Cover   | H18A54   | Momentary Contact Switch with Leads                             |
| H3A81*  | Inner Liner with Shelf Supports                               | H18A92   | Rivet for Hinge Tapping Strip                                   |
| H4A18   | Cabinet Cover   | H19A4    | Lamp Guard  |
| H5A68   | Insulation for Unit Compartment Door                          | H20A4    | Rivet for Tapping Strip   |
| H5A69   | Insulation for Refrigerating Machine Compartment              | H20A6    | Screw for Nameplate Clip  |
| H5A70   | Insulation between Inner Liner Cover and Cabinet Cover        | H20A8    | Speed Nut for 49X563 Receptacle                                 |
| H5X20   | Cabinet Insulation (Kimsul, 18' roll)                         | H20A13   | Clip for Skirt  |
| H6A16   | Door for Right-Hand Cabinet                                   | H20A14   | Clip for Cover (Front)  |
| H6A17   | Door for Left-Hand Cabinet                                    | H20A15   | Cap Screw fastening Cabinet to Base                             |
| H7A18   | Inner Cabinet Door Panel                                      | H20A16   | Screw fastening Inner Liner Cover to Inner Liner                |
| H7A44   | Outer Cabinet Door Panel (Right-Hand Cabinet)                 | H20A18   | Clip for Cover (Back)   |
| H7A45   | Outer Cabinet Door Panel (Left-Hand Cabinet)                  | H20A20   | Rubber Spacer for Channel                                       |
| H7A57   | Door Panel with Catches for Refrigerating Machine Compartment | H20A46   | Clamp for Tubing  |
| H9A10   | Door Corner   | H20A47   | Screw for Hinge   |
| H9A13   | Door Jamb Corner  | H20A57   | Spring for Cabinet Door   |
| H10A28  | Door Strip (Vertical, Hinge Side)                             | H20A59   | Spacer between Evaporator and Inner Liner Cover                 |
| H10A29  | Door Strip (Vertical, Latch Side)                             | H20A60   | Screw for Clip  |
| H10A30  | Door Jamb Strip (Horizontal)                                  | H20A61   | Spring Clip for Refrigerating Machine Compartment Panel         |
| H10A31  | Door Jamb Strip (Vertical, Latch Side)                        | H20A62   | Screw fastening Rubber Spacer to Channel                        |
| H10A33  | Door Strip (Horizontal)                                       | H20A64   | Screw for Latch Handle Thimble                                  |
| H10A58  | Door Jamb Strip (Vertical, Hinge Side)                        | H23A24   | Sealing Cup with Connecting Rod                                 |
| H11A11  | Tapping Strip for Outer Case (Vertical)                       | H23A26   | Strike Case with Plunger (Right-Hand Cabinet)                   |
| H11A12  | Tapping Strip for Outer Case (Horizontal)                     | H23A27   | Strike Case with Plunger (Left-Hand Cabinet)                    |
| H11A13  | Tapping Strip for Inner Liner (Vertical)                      | H23A31   | Foot Pedal Door Opener (Right-Hand Cabinet)                     |
| H11A14  | Tapping Strip for Inner Liner (Horizontal)                    | H23A32   | Foot Pedal Door Opener (Left-Hand Cabinet)                      |
| H11A15  | Tapping Strip for Door (Outer, Latch Side)                    | H23A33   | Foot Pedal with Bracket and Hinge Pin (Right-Hand Cabinet)      |
| H11A16  | Tapping Strip for Door (Outer, Hinge Side)                    | H23A34   | Foot Pedal with Bracket and Hinge Pin (Left-Hand Cabinet)       |
| H11A17  | Tapping Strip for Door (Outer, Horizontal)                    | H23A35   | Rubber Boot for Foot Pedal                                      |
| H11A18  | Tapping Strip for Door (Inner, Vertical)                      | H23A36   | Connecting Rod between Foot Pedal and Turnbuckle                |
| H11A19  | Tapping Strip for Door (Inner, Horizontal)                    | H23A37   | Connecting Rod between Gland and Turnbuckle                     |
| H11A20  | Hinge Tapping Strip for Outer Case                            | H23A38   | Connecting Rod between Sealing Cup and Plunger Rod              |
| H11A47  | Hinge Tapping Strip for Door                                  | H23A39   | Turnbuckle for Connecting Rods                                  |
| H12A2   | Screw for Shelf Support                                       | H27A10   | Base for Cabinet and Refrigerating Machine (Right-Hand Cabinet) |
| H12X2   | Screw for Door Strip or Door Jamb Strip                       | H28A1    | Base for Cabinet and Refrigerating Machine (Left-Hand Cabinet)  |
| H13A59  | Gasket for Sealing Cup  | H29A4    | Skirt for Base  |
| H13A63  | Gasket between H15A10 Plate and Outer Door Panel              | 13919    | Channel for Tubing  |
| H13A65  | Rubber Gasket for H4A18 Cover                                 | 14239    | Nut for C20A81 Screw  |
| H13A157 | Rubber Gasket for Cabinet Door                                | 106775   | Cotter Pin for Foot Pedal and Rod                               |
| H14A13  | Strike  | 153179   | Cap Screw fastening Refrigerating Machine Base to Cabinet Base  |
| H15A9   | Latch Handle  | 153998   | Fiber Washer (3/4" O.D.) for H20A16 Screw                       |
| H15A10  | Escutcheon Plate for Latch Handle                             | 160936   | Screw for Tube Seal   |
| H15A11  | Escutcheon Plate for Latch Bolt (Old Style)                   | 179789   | Cap Screw fastening Foot Pedal Bracket to Base                  |
| H15A20  | Thimble for Latch Handle Grip                                 | 465012   | Washer for H20A60 Screw   |
| H15A24  | Latch Handle Grip   | 1X452    | Steel Washer for H20A16 Screw                                   |
| H15A26  | Latch Case with Bolt and Spring, Gasket and Nut               | 6X737    | Nut for H20A16 Screw  |
| H15A27  | Escutcheon Plate for Latch Bolt (New Style)                   | 6X814    | Cap Screw fastening Base Back Plate to Base and for H20A13 Clip |
| H15A44  | Spring for Latch Case   | 11X339   | Lockwasher for 13919 Nut  |
| H16A15  | Hinge   | 29X705   | Screw for Latch Bolt Escutcheon Plate or Strike                 |
| H16A16  | Cover for Hinge   | 49X789   | Nut for 153998 Screw  |
| H17A1   | Shelf Support (Straight)                                      | 64X973   | Light Receptacle with Leads                                     |
| H17A3   | Shelf Support (Headed)  | 64X974   | Check Nut for Turnbuckle (Left-Hand Thread)                     |
| H17A42  | Shelf (Top)   | NP59179B | Check Nut for Turnbuckle (Right-Hand Thread)                    |
| H17A43  | Shelf (First from Top)  |          | Clip for Nameplate  |

\* When ordering specify for KF-5A Cabinet and one H19A15 Light Receptacle with Retaining Ring and short leads and one H13A142 Rubber Bushing will be furnished, no charge.

† Refer to Accessories Section for parts included.

Always Give Catalog Number

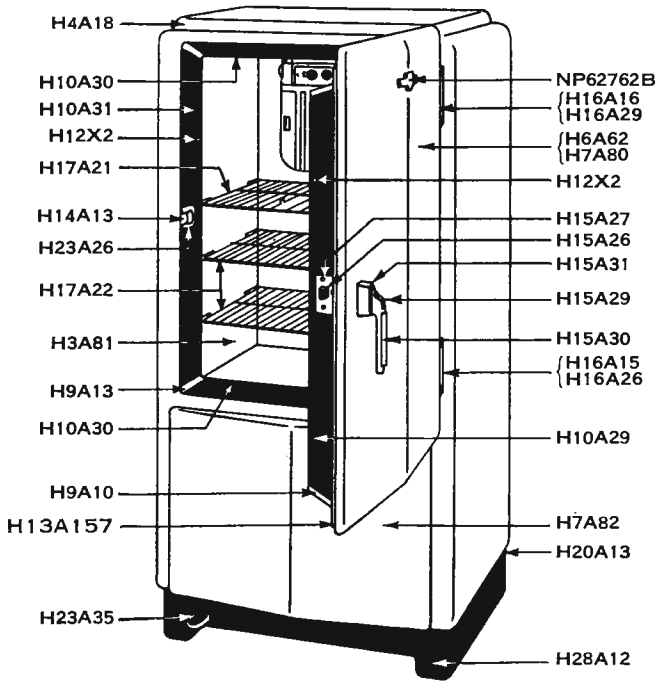
# K-5A, K-5B, KT-5A and KT-5B—Cabinet Parts



Name of Part	Cat. No.		Name of Part	Cat. No.	
	K-5A K-5B	KT-5A KT-5B		K-5A K-5B	KT-5A KT-5B
†Accessories (K-5A and KT-5A)	A1R44	A1R44	Washer for H20A15 or 153609 Screw	H18A22	H18A22
†Accessories (K-5B and KT-5B)	A1R50	A1R50	Momentary Contact Switch with Leads	H18A54	H18A54
*Inner Liner with Shelf Supports	H3A81	H3A81	Rivet for Hinge Tapping Strip	H18A92	H18A92
Cabinet Cover	H4A18	H4A23	Lamp Guard	H19A4	H19A4
Insulation for Unit Compartment Door	H5A68	H5A68	Rivet for Tapping Strip	H20A4	H20A4
Insulation for Refrigerating Machine Compartment	H5A69	H5A69	Screw for Nameplate Clip	H20A6	H20A6
Insulation between Inner Liner Cover and Cabinet Cover	H5A72	H5A72	Speed Nut for 49X563 Receptacle	H20A8	H20A8
Cabinet Insulation (Kimsul, 18" roll)	H5X20	H5X20	Clip for Skirt	H20A13	H20A13
Door for Right-Hand Cabinet	H6A16	H6A57	Clip for Cover (Front)	H20A14	H20A14
Door for Left-Hand Cabinet	H6A17	H6A58	Cap Screw fastening Cabinet to Base	H20A15	H20A15
Inner Cabinet Door Panel	H7A18	H7A18	Clip for Cover (Back)	H20A18	H20A18
Outer Cabinet Door Panel (Right-Hand Cabinet)	H7A44	H7A71	Screw for Hinge	H20A47	H20A47
Outer Cabinet Door Panel (Left-Hand Cabinet)	H7A45	H7A72	Pad between Hinge and Door	H20A56	H20A56
Door Panel with Catches for Unit Compartment Door	H7A57	H7A46	Spring for Cabinet Door	H20A57	H20A57
Door Corner	H9A10	H9A10	Screw for Clip	H20A60	H20A60
Door Jamb Corner	H9A13	H9A13	Spring Clip for Unit Compartment Door	H20A61	H20A61
Door Strip (Vertical, Hinge Side)	H10A21	H10A28	Bottom Screw fastening Condenser Unit to Cabinet	H20A62	H20A62
Door Strip (Vertical, Latch Side)	H10A29	H10A29	Washer for H20A62 or 128617 Screw	H20A63	H20A63
Door Jamb Strip (Horizontal)	H10A30	H10A30	Screw for Latch Handle Thimble	H20A64	H20A64
Door Jamb Strip (Vertical, Latch Side)	H10A31	H10A31	Fiber Washer for H12X2 Liner Cover Screw	H20A74	H20A74
Door Strip (Horizontal)	H10A33	H10A33	Rubber Washer for H12X2 Liner Cover Screw	H20A75	H20A75
Door Jamb Strip (Vertical, Hinge Side)	H10A58	H10A58	Tray Lifter Hook	H20A98	H20A98
Tapping Strip for Outer Case (Vertical)	H11A11	H11A11	Rubber Plug for Inner Liner Cover	H20A110	H20A110
Tapping Strip for Outer Case (Horizontal)	H11A12	H11A12	Sealing Cup with Connecting Rod	H23A24	H23A24
Tapping Strip for Inner Liner (Vertical)	H11A13	H11A13	Strike Case with Plunger (Right-Hand Cabinet)	H23A26	H23A26
Tapping Strip for Inner Liner (Horizontal)	H11A14	H11A14	Strike Case with Plunger (Left-Hand Cabinet)	H23A27	H23A27
Tapping Strip for Door (Outer, Latch Side)	H11A15	H11A15	Foot Pedal Door Opener (Right-Hand Cabinet)	H23A31	H23A31
Tapping Strip for Door (Outer, Hinge Side)	H11A16	H11A16	Foot Pedal Door Opener (Left-Hand Cabinet)	H23A32	H23A32
Tapping Strip for Door (Outer, Horizontal)	H11A17	H11A17	Foot Pedal with Bracket and Hinge Pin (Right-Hand Cabinet)	H23A33	H23A33
Tapping Strip for Door (Inner, Vertical)	H11A18	H11A18	Foot Pedal with Bracket and Hinge Pin (Left-Hand Cabinet)	H23A34	H23A34
Tapping Strip for Door (Inner, Horizontal)	H11A19	H11A19	Rubber Boot for Foot Pedal	H23A35	H23A35
Hinge Tapping Strip for Outer Case	H11A20	H11A20	Connecting Rod between Foot Pedal and Turnbuckle	H23A36	H23A36
Hinge Tapping Strip for Door	H11A47	H11A47	Connecting Rod between Gland and Turnbuckle	H23A37	H23A37
Tapping Strip for Inner Liner Cover Screw	H11A49	H11A49	Connecting Rod between Sealing Cup and Plunger Rod	H23A38	H23A38
Screw for Shelf Support	H12A2	H12A2	Turnbuckle for Connecting Rod	H23A39	H23A39
Screw for Door Strip, Door Jamb Strip, or Inner Liner Cover	H12X2	H12X2	Base for Cabinet and Refrigerating Machine (Right-Hand Cabinet)	H27A9	H27A9
Gasket for Sealing Cup	H13A59	H13A59	Base for Cabinet and Refrigerating Machine (Left-Hand Cabinet)	H27A10	H27A10
Gasket between H15A10 Plate and Outer Door Panel	H13A63	H13A63	Skirt for Base	H28A1	H28A1
Rubber Gasket for Cabinet Cover	H13A65	H13A65	Cotter Pin for Foot Pedal and Rod	14239	14239
Gasket between Hinge Tapping Strip and Door	H13A83	H13A83	Cap Screw fastening Refrigerating Machine Base to Cabinet Base	106775	106775
Rubber Gasket for Cabinet Door	H13A157	H13A157	Top Screw fastening Condenser Unit to Cabinet	128617	128617
Strike	H14A13	H14A13	Cap Screw fastening Condenser to Base	153609	153609
Latch Handle	H15A9	H15A9	Screw for Tube Seal	153998	153998
Escutcheon Plate for Latch Handle	H15A10	H15A10	Cap Screw fastening Foot Pedal Bracket to Base	160936	160936
Escutcheon Plate for Latch Bolt (Old Style)	H15A11	H15A11	Washer for H20A60 Screw	179789	179789
Thimble for Latch Handle Grip	H15A20	H15A20	Cap Screw fastening Base Back Plate to Base and for H20A13 Clip	6X737	6X737
Latch Handle Grip	H15A24	H15A24	Screw for Latch Bolt Escutcheon Plate or Strike	11X339	11X339
Latch Case with Bolt and Spring, Gasket and Nut	H15A26	H15A26	Nut for 153998 Screw	29X705	29X705
Escutcheon Plate for Latch Bolt (New Style)	H15A27	H15A27	Light Receptacle with Leads	49X789	49X789
Spring for Latch Case	H15A44	H15A44	Check Nut for Turnbuckle (Left-Hand Thread)	64X973	64X973
Hinge	H16A15	H16A15	Check Nut for Turnbuckle (Right-Hand Thread)	64X974	64X974
Cover for Hinge	H16A16	H16A16	Clip for Nameplate	NP59179B	NP59179B
Shelf Support (Straight)	H17A1	H17A1			
Shelf Support (Headed)	H17A3	H17A3			
Shelf (Top)	H17A42	H17A42			
Shelf (First from Top)	H17A43	H17A43			
Shelf (Bottom, or First from Bottom)	H17A44	H17A44			
Fiber Washer (1/2" O.D.) for H12A2 Screw	H18A3	H18A3			

\* When ordering specify for K-5A, K-5B, KT-5A, KT-5B Cabinets and one H19A15 Light Receptacle with Retaining Ring and short leads and one H13A142 Rubber Bushing will be furnished, no charge.  
 † Refer to Accessories Section for parts included.

# V-5A, V-5C—Cabinet Parts



Name of Part	Cat. No.	
	V-5A	V-5C
Gasket for H20A137 Catch	H13A146	H13A146
Rubber Gasket for Cabinet Door	H13A157	H13A157
Strike	H14A13	H14A13
Latch Case with Bolt and Spring, Gasket and Nut	H15A26	H15A26
Escutcheon Plate for Latch Bolt	H15A27	H15A27
Latch Handle with Trim	H15A29	H15A29
Trim for Latch Handle	H15A30	H15A30
Escutcheon Plate for Latch Handle	H15A31	H15A31
Nut fastening Handle to Latch	H15A32	H15A32
Spring for Latch Case	H15A44	H15A44
Hinge for use with Cover 3 1/2" long	H16A15	H16A15
Cover for H16A15 Hinge	H16A16	H16A16
Hinge for use with Cover 3 3/4" long	H16A26	H16A26
Opening Spring Cartridge for Hinge	H16A27	H16A27
Retarding Spring Cartridge for Hinge	H16A28	H16A28
Cover for H16A26 Hinge	H16A29	H16A29
Shelf Support (Straight)	H17A1	H17A1
Shelf Support (Headed)	H17A3	H17A3
Shelf (Small)	H17A20	H17A20
Shelf (Large, Upper)	H17A21	H17A21
Shelf (Middle or Bottom)	H17A22	H17A22
Washer for H12A2 Screw	H18A3	H18A3
Washer for 279364 Screw	H18A18	H18A18
Washer for H20A15, 106775 or 153609 Screws	H18A22	H18A22
Momentary Contact Switch with Leads	H18A54	H18A54
Rivet for H11A20 or H11A47 Tapping Strips	H18A92	H18A92
Lamp Guard	H19A5	H19A5
Spring for H18A54 Switch	H19A6	H19A6
Light Receptacle with Retaining Ring and Short Leads		H19A15
Rivet for H11A11, H11A12, H11A13, H11A14, H11A15, H11A16 or H11A17 Tapping Strips	H20A4	H20A4
Screw for Nameplate Clip	H20A6	H20A6
Speed Nut for 49X789 Receptacle	H20A8	H20A8
Clip for Skirt	H20A13	H20A13
Clip for Top Cover (Front)	H20A14	H20A14
Cap Screw fastening Cabinet to Base or Foot Pedal Bracket to Base	H20A15	H20A15
Clip for Top Cover (Back)	H20A18	H20A18
Screw for Hinge	H20A47	H20A47
Screw for H13A59 Gasket	H20A48	H20A48
Door Spring	H20A57	H20A57
Screw for H20A14, H20A18 or H20A61 Clips	H20A60	H20A60
Spring Clip for Refrigerating Machine Compartment Panel	H20A61	H20A61
Fiber Washer for H12X2 Liner Cover Screw	H20A74	H20A74
Rubber Washer for H12X2 Liner Cover Screw	H20A75	H20A75
Tray Lifter Hook	H20A98	H20A98
Plug for Inner Liner Cover	H20A110	H20A110
Washer for H20A6 Screw	H20A116	H20A116
Lockwasher for H15A32 Nut	H20A117	H20A117
Rivet for H11A59 Tapping Strip	H20A118	H20A118
Catch for Refrigerating Machine Compartment Panel	*H20A137	H20A137
Washer for 11X339 Screw	*H20A138	H20A138
Sealing Cup with Connecting Rod	H23A24	H23A24
Strike Case with Plunger (Right-Hand Cabinet)	H23A26	H23A26
Strike Case with Plunger (Left-Hand Cabinet)	H23A27	H23A27
Foot Pedal Door Opener (Right-Hand Cabinet)	H23A31	H23A31
Foot Pedal Door Opener (Left-Hand Cabinet)	H23A32	H23A32
Foot Pedal with Bracket and Hinge Pin (Right-Hand Cabinet)	H23A33	H23A33
Foot Pedal with Bracket and Hinge Pin (Left-Hand Cabinet)	H23A34	H23A34
Rubber Boot for Foot Pedal	H23A35	H23A35
Connecting Rod between Foot Pedal and Turnbuckle	H23A36	H23A36
Connecting Rod between Gland and Turnbuckle	H23A37	H23A37
Connecting Rod between Sealing Cup and Plunger Rod	H23A38	H23A38
Turnbuckle for Connecting Rod	H23A39	H23A39
Base for Cabinet and Refrigerating Machine	H27A14	H27A14
Skirt for Base (Right Hand)	H28A12	H28A12
Skirt for Base (Left Hand)	H28A13	H28A13
Cotter Pin for Foot Pedal and Rod	14239	14239
Cap Screw fastening Refrigerating Machine to Base	106775	106775
Cap Screw fastening Condenser to Base	153609	153609
Screw for Tube Seal	153998	153998
Washer for 69X893 or 11X339 Screw (1/2" O.D.)	165736	165736
Nut for 106775 or 279364 Screws	177811	177811
Washer for 153998 Screw	179789	179789
Cap Screw for Base Back Piece	279364	279364
Lockwasher for Screw fastening Foot Pedal Bracket to Base	6X814	6X814
Screw for H15A31, H14A13, H20A13, H23A26, H23A27 or H20A137	*11X339	11X339
Nut for 153998 Screw	29X705	29X705
Light Receptacle with Leads	49X789	49X789
Retaining Ring for Light Receptacle	*58X310	58X310
Lockwasher for 11X339 Screw	64X973	64X973
Check Nut for Turnbuckle (Left-Hand Thread)	64X974	64X974
Check Nut for Turnbuckle (Right-Hand Thread)	69X893	69X893
Screw fastening Condenser to Cabinet	GE3014	GE3014
Connector for Leads	NP62762B	NP62762B
Clip for Nameplate		

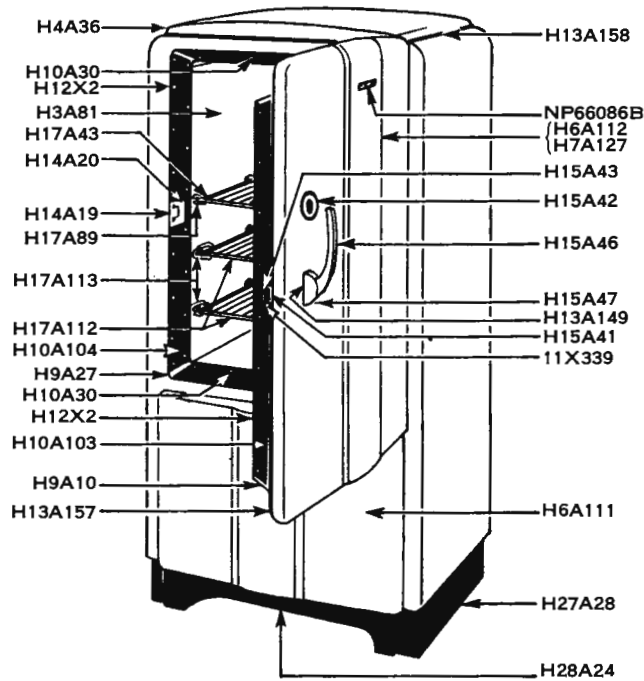
Name of Part	Cat. No.	
	V-5A	V-5C
†Accessories	A1R54	A1R54
Inner Liner with Shelf Supports	H3A81	H3A81
Cabinet Cover	H4A18	H4A18
Insulation for Refrigerating Machine Compartment Door	H5A99	H5A99
Insulation between Top Cover and Liner Cover	H5A141	H5A141
Insulation for Refrigerating Machine Compartment (Side)	H5A101	H5A101
Cabinet Insulation (Kimsul, 18' roll)	H5X20	H5X20
Door for Cabinet (Right Hand)	H6A62	H6A62
Door for Cabinet (Left Hand)	H6A63	H6A63
Inner Cabinet Door Panel	H7A18	H7A18
Outer Cabinet Door Panel (Right Hand)	H7A80	H7A80
Outer Cabinet Door Panel (Left Hand)	H7A81	H7A81
Door Panel with Catches for Refrigerating Machine Compartment	H7A82	H7A82
Door Corner	H9A10	H9A10
Door Jamb Corner	H9A13	H9A13
Door Strip (Horizontal)	H10A27	H10A27
Door Strip (Vertical, Hinge Side)	H10A28	H10A28
Door Strip (Vertical, Latch Side)	H10A29	H10A29
Door Jamb Strip (Horizontal)	H10A30	H10A30
Door Jamb Strip (Vertical, Latch Side)	H10A31	H10A31
Door Jamb Strip (Vertical, Hinge Side for use with Door Spring)	H10A58	
Door Jamb Strip (Vertical, Hinge Side, Right-Hand Cabinet without Door Spring)	H10A78	H10A78
Door Jamb Strip (Vertical, Hinge Side, Left-Hand Cabinet without Door Spring)	H10A79	H10A79
Tapping Strip for Outer Case (Vertical)	H11A11	H11A11
Tapping Strip for Outer Case (Horizontal)	H11A12	H11A12
Tapping Strip for Inner Liner (Vertical)	H11A13	H11A13
Tapping Strip for Inner Liner (Horizontal)	H11A14	H11A14
Tapping Strip for Door (Outer Vertical, Latch Side)	H11A15	H11A15
Tapping Strip for Door (Outer Vertical, Hinge Side)	H11A16	H11A16
Tapping Strip for Door (Outer, Horizontal)	H11A17	H11A17
Tapping Strip for Door (Inner, Vertical)	H11A18	H11A18
Tapping Strip for Door (Inner, Horizontal)	H11A19	H11A19
Tapping Strip for Hinge and Outer Case	H11A20	H11A20
Tapping Strip for Hinge and Door	H11A47	H11A47
Tapping Strip for Inner Liner Cover	H11A49	H11A49
Tapping Strip for Outer Case and Condenser Screw	H11A59	H11A59
Screw for Shelf Support	H12A2	H12A2
Screw for Door Strip, Door Jamb Strip or Inner Liner Cover	H12X2	H12X2
Gasket for Sealing Cup	H13A59	H13A59
Gasket for H4A18 Top Cover	H13A65	H13A65
Gasket for Latch Handle Escutcheon Plate and Outer Door Panel	H13A104	H13A104
Rubber Bushing for Light Receptacle		H13A142

\* On first production the Catch for Refrigerating Machine Compartment Door was welded in position but later fastened to the door with screws.  
 † When ordering specify for V-5A Cabinet and one H19A15 Light Receptacle with Retaining Ring and short leads and one H13A142 Rubber Bushing will be furnished, no charge.  
 ‡ Refer to Accessories Section for parts included.

Always Give Catalog Number



## B-5-37A—Cabinet Parts

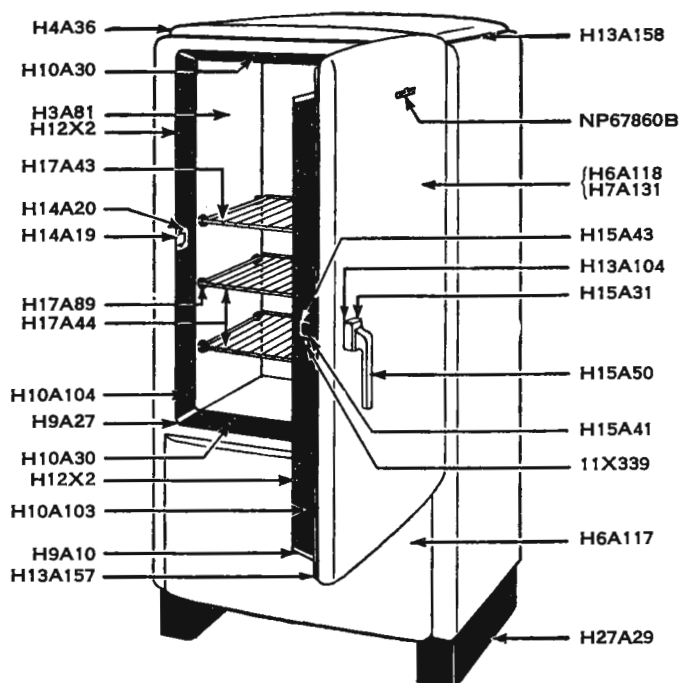


A1R76†	Accessories	H17A112	Shelf (First or Second from Bottom, Sliding)
H3A81	Inner Liner with Shelf Supports	H17A113	Frame for H17A112 Sliding Shelf
H4A36	Cabinet Cover	H17A118	Shelf (Top, small)
H5A101	Insulation for Refrigerating Machine Compartment Side	H18A18	Washer for H20A15 or H20A173 Screws
H5A155	Insulation between Inner Liner Cover and Cabinet Cover	H18A22	Washer for 106775 or 261646 Screws (1/8" O.D.)
H5A156	Cabinet Insulation (Set)	H18A54	Momentary Contact Switch (Short Leads)
H6A111	Refrigerating Machine Compartment Door	H18A92	Rivet Fastening H11A20 to Outer Case or H11A47 to Outer Door Panel
H6A112	Door Complete (Right-Hand Cabinet)	H19A5	Lamp Guard
H6A113	Door Complete (Left-Hand Cabinet)	H19A6	Retaining Spring for Momentary Contact Switch
H7A18	Inner Door Panel	H19A15	Light Receptacle with Porcelain Bushing (Short Leads)
H7A127	Outer Door Panel (Right-Hand Cabinet)	H19A18	Lockwasher for Momentary Contact Switch
H7A128	Outer Door Panel (Left-Hand Cabinet)	H19A21	Nut Fastening Momentary Contact Switch to Door Jamb Strip
H9A10	Door Corner	H20A4	Rivet Fastening Tapping Strip to Outer Case, Inner Liner or Outer Door Panel
H9A27	Door Jamb Corner	H20A6	Screw for Nameplate Clip
H10A27	Door Strip (Horizontal)	H20A15	Cap Screw Fastening Cross Piece to Side of Base
H10A28	Door Strip (Vertical, Hinge Side)	H20A47	Screw for Hinge
H10A30	Door Jamb Strip (Horizontal)	H20A60	Screw for H20A162 Clip
H10A78	Door Jamb Strip (Vertical, Hinge Side, Right-Hand Cabinet)	H20A74	Fiber Washer for Screw Fastening Inner Liner Cover to Inner Liner
H10A79	Door Jamb Strip (Vertical, Hinge Side, Left-Hand Cabinet)	H20A75	Rubber Washer for Screw Fastening Inner Liner Cover to Inner Liner
H10A103	Door Strip (Vertical, Latch Side, with Escutcheon for Latch Bolt)	H20A86	Screw for H20A161 Clip
H10A104	Door Jamb Strip (Vertical, Latch Side)	H20A110	Rubber Plug for Inner Liner Cover
H11A11	Tapping Strip for Outer Case (Vertical)	H20A117	Lockwasher for Latch Handle Nut
H11A12	Tapping Strip for Outer Case (Bottom)	H20A118	Rivet Fastening H11A59 to Back of Outer Case
H11A13	Tapping Strip for Inner Liner (Vertical)	H20A161	Clip for Cabinet Cover (Front)
H11A14	Tapping Strip for Inner Liner (Horizontal)	H20A162	Clip for Cabinet Cover (Back)
H11A16	Tapping Strip for Outer Door Panel (Vertical, Hinge Side)	H20A165	Spring Catch for Refrigerating Machine Compartment Door (Left-Hand Side)
H11A17	Tapping Strip for Outer Door Panel (Horizontal)	H20A166	Spring Catch for Refrigerating Machine Compartment Door (Right-Hand Side)
H11A18	Tapping Strip for Inner Door Panel (Vertical)	H20A167	Ice Tray Lifter Hook
H11A19	Tapping Strip for Inner Door Panel (Horizontal)	H20A173	Cap Screw Fastening Condenser to Base
H11A20	Tapping Strip for Outer Case and Hinge	H20A181	Catch for Refrigerating Machine Compartment Door
H11A47	Tapping Strip for Door and Hinge	H20A182	Rubber Spacer for Refrigerating Machine Compartment Door
H11A49	Tapping Strip for Screw Fastening Inner Liner Cover to Inner Liner	H20A230	Washer under Scuff Plate or Nameplate
H11A59	Tapping Strip for Outer Case and Condenser	H22A29	Insulation for Refrigerating Machine Compartment Door
H11A107	Tapping Strip for Outer Case (Top)	H27A28	Base
H11A124	Tapping Strip for Outer Door Panel (Vertical, Latch Side)	H28A24	Skirt for Base
H12A2	Screw Fastening Straight or Headed Shelf Support to Inner Liner	11X339	Screw Fastening Latch Case to Door Strip or Screw for Strike
H12X2	Screw for Door Strip, Door Jamb Strip, or Inner Liner Cover	12X732	Lockwasher for 177811 Nut
H13A142	Rubber Bushing for Light Receptacle	30X562	Lockwasher for 46X784 Screw
H13A148	Gasket between Latch Case and Outer Door Panel	46X784	Screw Fastening Skirt to Base
H13A149	Seal for Latch Handle	49X972	Porcelain Bushing for Light Receptacle
H13A152	Gasket for H20A161 Clip	58X310	Lockwasher for Strike Screw 11X339
H13A157	Rubber Door Gasket	58X325	Lockwasher for 58X326 Nut
H13A158	Gasket for Cabinet Cover	58X326	Nut Fastening Scuff Plate to Outer Door Panel
H14A19	Strike	58X337	Screw for H20A181 Catch
H14A20	Strike Case	69X893	Screw Fastening Unit Condenser to Back of Outer Case
H15A41	Escutcheon for Door Strip and Latch Bolt	80X132	Washer for H20A60 Screw
H15A42	Scuff Plate for Latch Handle	165736	Washer for 69X893 Screw or Steel Washer under Scuff Plate
H15A43	Latch Case with Bolt, Spring, Gasket and Nut	177811	Nut for H20A173, 106775 or 261646 Screws
H15A44	Spring for Latch Case and Bolt	261646	Cap Screw Fastening Base to Outer Case or Unit to Base
H15A45	Nut Fastening Latch Case and Latch Handle to Outer Door Panel	GE3014	Connector for Leads
H15A46	Latch Handle, without Escutcheon Plate	NP66086B	Nameplate Clip
H15A47	Escutcheon Plate for Latch Handle		
H16A35	Hinge with End Covers		
H16A36	Cover for Hinge		
H17A43	Shelf (Top, large)		
H17A89	Shelf Support (Straight) or Nut for 46X784 Screw		
H17A90	Shelf Support (Headed)		

† Refer to Accessories Section for parts included.

Always Give Catalog Number

## JB-5-37A—Cabinet Parts



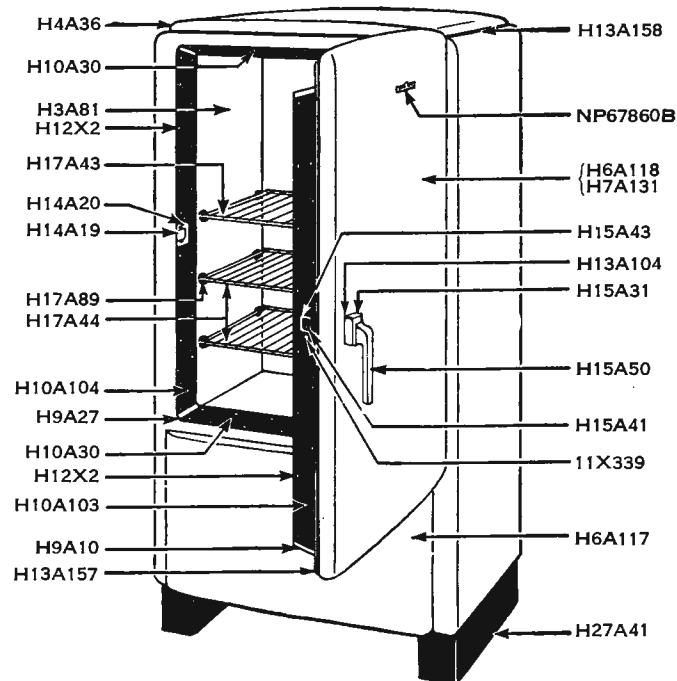
- A1R81† Accessories
- H3A81 Inner Liner with Shelf Supports
- H4A36 Cabinet Cover
- H5A155 Insulation between Inner Liner Cover and Cabinet Cover
- H5A158 Cabinet Insulation (Set)
- H6A117 Refrigerating Machine Compartment Door
- H6A118 Door Complete (Right-Hand Cabinet)
- H6A119 Door Complete (Left-Hand Cabinet)
- H7A18 Inner Door Panel
- H7A131 Outer Door Panel (Right-Hand Cabinet)
- H7A132 Outer Door Panel (Left-Hand Cabinet)
- H9A10 Door Corner
- H9A27 Door Jamb Corner
- H10A27 Door Strip (Horizontal)
- H10A28 Door Strip (Vertical, Hinge Side)
- H10A30 Door Jamb Strip (Horizontal)
- H10A78 Door Jamb Strip (Vertical, Hinge Side, Right-Hand Cabinet)
- H10A79 Door Jamb Strip (Vertical, Hinge Side, Left-Hand Cabinet)
- H10A103 Door Strip (Vertical, Latch Side, with Escutcheon for Latch Bolt)
- H10A104 Door Jamb Strip (Vertical, Latch Side)
- H11A11 Tapping Strip for Outer Case (Vertical)
- H11A12 Tapping Strip for Outer Case (Bottom)
- H11A13 Tapping Strip for Inner Liner (Vertical)
- H11A14 Tapping Strip for Inner Liner (Horizontal)
- H11A16 Tapping Strip for Outer Door Panel (Vertical, Hinge Side)
- H11A17 Tapping Strip for Outer Door Panel (Horizontal)
- H11A18 Tapping Strip for Inner Door Panel (Vertical)
- H11A19 Tapping Strip for Inner Door Panel (Horizontal)
- H11A20 Tapping Strip for Outer Case and Hinge
- H11A47 Tapping Strip for Door and Hinge
- H11A49 Tapping Strip for Screw Fastening Inner Liner Cover to Inner Liner
- H11A59 Tapping Strip for Outer Case and Condenser
- H11A103 Tapping Strip for Outer Door Panel (Vertical, Latch Side)
- H11A107 Tapping Strip for Outer Case (Top)
- H12A2 Screw Fastening Straight or Headed Shelf Support to Inner Liner
- H12X2 Screw for Door Strip, Door Jamb Strip or Inner Liner Cover
- H13A104 Seal for Latch Handle
- H13A142 Rubber Bushing for Light Receptacle
- H13A148 Gasket between Latch Case and Outer Door Panel
- H13A152 Gasket for H20A161 Clip
- H13A157 Rubber Door Gasket
- H13A158 Gasket for Cabinet Cover
- H14A19 Strike
- H14A20 Strike Case
- H15A31 Escutcheon Plate for Latch Handle
- H15A41 Escutcheon for Door Strip and Latch Bolt
- H15A43 Latch Case with Bolt, Spring, Gasket and Nut
- H15A44 Spring for Latch Case and Bolt
- H15A45 Nut Fastening Latch Case and Latch Handle to Outer Door Panel
- H15A50 Latch Handle without Escutcheon Plate
- H16A37 Hinge with End Covers
- H16A38 Cover for Hinge

- H17A43 Shelf (Top, large)
- H17A44 Shelf (Middle or Bottom)
- H17A89 Shelf Support (Straight)
- H17A90 Shelf Support (Headed)
- H17A118 Shelf (Top, small)
- H18A18 Washer for H20A15 or H20A173 Screws (5/8" O. D.)
- H18A22 Washer for H20A173, 106775 or 261646 Screws (1/8" O. D.)
- H18A54 Momentary Contact Switch (Short Leads)
- H19A21 Rivet Fastening H11A20 to Outer Case or H11A47 to Outer Door Panel
- H19A5 Lamp Guard
- H19A6 Retaining Spring for Momentary Contact Switch
- H19A15 Light Receptacle with Porcelain Bushing (Short Leads)
- H19A18 Lockwasher for Momentary Contact Switch
- H19A21 Nut Fastening Momentary Contact Switch to Door Jamb Strip
- H20A4 Rivet Fastening Tapping Strip to Inner Liner, Outer Case or Outer Door Panel
- H20A6 Screw for Nameplate Clip
- H20A15 Cap Screw Fastening Front Cross Piece to Side of Base
- H20A47 Screw for Hinge
- H20A60 Screw for H20A162 Clip
- H20A74 Fiber Washer for Screw Fastening Inner Liner Cover to Inner Liner
- H20A75 Rubber Washer for Screw Fastening Inner Liner Cover to Inner Liner
- H20A86 Screw for H20A161 Clip
- H20A110 Rubber Plug for Inner Liner Cover
- H20A117 Lockwasher for Latch Handle Nut
- H20A118 Rivet Fastening H11A59 to back of Outer Case
- H20A161 Clip for Cabinet Cover (Front)
- H20A162 Clip for Cabinet Cover (Back)
- H20A165 Spring Catch for Refrigerating Machine Compartment Door (Left-Hand Side)
- H20A166 Spring Catch for Refrigerating Machine Compartment Door (Right-Hand Side)
- H20A167 Ice Tray Lifter Hook
- H20A173 Cap Screw Fastening Condenser or Back Cross Piece to Side of Base
- H20A181 Catch for Refrigerating Machine Compartment Door
- H20A182 Rubber Spacer for Refrigerating Machine Compartment Door
- H22A29 Insulation for Refrigerating Machine Compartment Door
- H27A29 Base
- 11X339 Screw Fastening Latch Case to Door Strip or Screw for Strike
- 12X732 Lockwasher for 17781 Nut
- 49X972 Porcelain Bushing for Light Receptacle
- 58X310 Lockwasher for 11X339 Strike Screw
- 58X337 Screw for H20A181 Catch
- 69X893 Screw Fastening Unit Condenser to Back of Outer Case
- 80X132 Washer for H20A60 Screw
- 165736 Washer for 69X893 Screw
- 17781 Nut for H20A173, 106775 or 261646 Screws
- 261646 Cap Screw Fastening Base to Outer Case or Unit to Base
- GE3014 Connector for Leads
- NP67860B Nameplate Clip

† Refer to Accessories Section for parts included.

Always Give Catalog Number

## RC-5-37A—Cabinet Parts

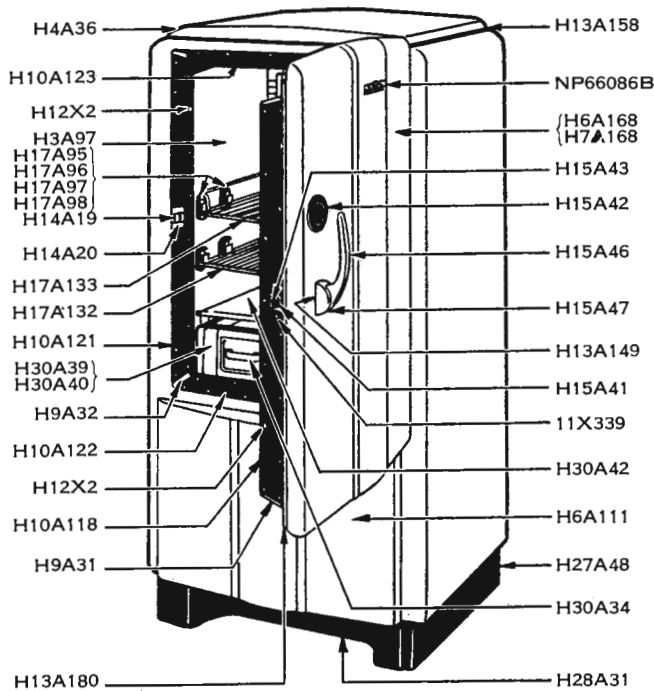


- |         |   |          |   |
|---------|---|----------|---|
| A1R99†  | Accessories   | H16A37   | Hinge with End Covers   |
| A20H15  | Rubber Spacer with H20A62 Screw and 179789 Fiber Washer for H20A201 Clamp | H16A38   | Cover for Hinge   |
| C20A81  | Screw Fastening Inner Liner Cover to Evaporator                           | H17A42   | Shelf (Top, Small)  |
| C20A82  | Washer for C20A81 Screw   | H17A43   | Shelf (Top, Large)  |
| C20A83  | Steel Washer for C20A81 Screw   | H17A44   | Shelf (Middle or Bottom)  |
| H3A22   | Inner Liner Cover   | H17A89   | Shelf Support (Straight)  |
| H3A81   | Inner Liner with Shelf Supports   | H17A90   | Shelf Support (Headed)  |
| H4A36   | Cabinet Cover   | H18A18   | Washer for 261646 Screw (5/8" O.D.)   |
| H5A155  | Insulation between Inner Liner Cover and Cabinet Cover                    | H18A22   | Washer for 261646 Screw (1/2" O.D.)   |
| H5A158  | Cabinet Insulation (Set)  | H18A54   | Momentary Contact Switch with Short Leads   |
| H5A173  | Insulation for Base   | H18A92   | Rivet Fastening H11A20 to Outer Case, or H11A47 to Outer Door Panel   |
| H6A117  | Refrigerating Machine Compartment Door                                    | H19A5    | Lamp Guard  |
| H6A118  | Door Complete (Right-Hand Cabinet)  | H19A6    | Retaining Spring for Momentary Contact Switch   |
| H6A119  | Door Complete (Left-Hand Cabinet)   | H19A15   | Light Receptacle with Porcelain Bushing (Short Leads)   |
| H7A18   | Inner Door Panel  | H19A18   | Lockwasher for Momentary Contact Switch   |
| H7A131  | Outer Door Panel (Right-Hand Cabinet)                                     | H19A21   | Nut Fastening Momentary Contact Switch to Door Jamb Strip   |
| H7A132  | Outer Door Panel (Left-Hand Cabinet)                                      | H20A4    | Rivet Fastening H11A11 to Outer Case, H11A13 and H11A14 to Inner Liner or H11A16 and H11A17 to Outer Door Panel |
| H9A10   | Door Corner   | H20A6    | Screw for Nameplate Clip  |
| H9A27   | Door Jamb Corner  | H20A47   | Screw for Hinge   |
| H10A27  | Door Strip (Horizontal)   | H20A59   | Cork Spacer between Inner Liner Cover and Evaporator  |
| H10A28  | Door Strip (Vertical, Hinge Side)   | H20A60   | Screw for H20A162 Clip or for Fastening H20A201 and H20A202 Clamps to Cabinet                                   |
| H10A30  | Door Jamb Strip (Horizontal)  | H20A62   | Screw Fastening Rubber Spacer to H20A201 Clamp  |
| H10A78  | Door Jamb Strip (Vertical, Hinge Side, Right-Hand Cabinet)                | H20A74   | Black Fiber Washer for H12X2 Inner Liner Cover Screw (5/8" O.D.)  |
| H10A79  | Door Jamb Strip (Vertical, Hinge Side, Left-Hand Cabinet)                 | H20A75   | Rubber Washer for H12X2 Inner Liner Cover Screw (5/8" O.D.)   |
| H10A103 | Door Strip (Vertical, Latch Side, with Escutcheon for Latch Bolt)         | H20A86   | Screw Fastening H20A161 Clip  |
| H10A104 | Door Jamb Strip (Vertical, Latch Side)                                    | H20A110  | Rubber Plug for Inner Liner Cover   |
| H11A11  | Tapping Strip for Outer Case (Vertical)                                   | H20A117  | Lockwasher for Latch Handle Nut   |
| H11A12  | Tapping Strip for Outer Case (Bottom)                                     | H20A161  | Clip for Cabinet Cover (Front)  |
| H11A13  | Tapping Strip for Inner Liner (Vertical)                                  | H20A162  | Clip for Cabinet Cover (Back)   |
| H11A14  | Tapping Strip for Inner Liner (Horizontal)                                | H20A165  | Spring Catch for Refrigerating Machine Compartment Door (Left-Hand Side)  |
| H11A16  | Tapping Strip for Outer Door Panel (Vertical, Hinge Side)                 | H20A166  | Spring Catch for Refrigerating Machine Compartment Door (Right-Hand Side)                                       |
| H11A17  | Tapping Strip for Outer Door Panel (Horizontal)                           | H20A167  | Ice Tray Lifter Hook  |
| H11A18  | Tapping Strip for Inner Door Panel (Vertical)                             | H20A181  | Catch for Refrigerating Machine Compartment Door  |
| H11A19  | Tapping Strip for Inner Door Panel (Horizontal)                           | H20A182  | Rubber Spacer for Refrigerating Machine Compartment Door  |
| H11A20  | Tapping Strip for Outer Case and Hinge                                    | H20A201  | Clamp for Tubes (Upper)   |
| H11A47  | Tapping Strip for Door and Hinge  | H20A202  | Clamp for Tubes (Middle or Lower)   |
| H11A49  | Tapping Strip for Screw Fastening Inner Liner Cover to Inner Liner        | H22A29   | Insulation for Refrigerating Machine Compartment Door   |
| H11A107 | Tapping Strip for Outer Case (Top)  | H27A41   | Base  |
| H11A124 | Tapping Strip for Outer Door Panel (Latch Side)                           | 13919    | Nut for C20A81 Screw  |
| H12A2   | Screw Fastening Straight or Headed Shelf Support to Inner Liner           | 145995   | Screw Fastening Insulation to Base  |
| H12X2   | Screw for Door Strip, Door Jamb Strip or Inner Liner Cover                | 145996   | Nut for 145995 Screw  |
| H13A104 | Seal for Latch Handle   | 165736   | Washer for 145995 Screw (5/8" O.D.)   |
| H13A142 | Rubber Bushing for Light Receptacle                                       | 179789   | Fiber Washer for H20A62 Screw   |
| H13A148 | Gasket between Latch Case and Outer Door Panel                            | 261646   | Screw Fastening Base to Outer Case or Unit to Base  |
| H13A152 | Gasket for H20A161 Clip   | 11X339   | Screw for Strike or Escutcheon  |
| H13A157 | Rubber Door Gasket  | 49X972   | Porcelain Bushing for Light Receptacle  |
| H13A158 | Gasket for H4A36 Cabinet Cover  | 58X310   | Lockwasher for 11X339 Strike Screw  |
| H14A19  | Strike  | 58X337   | Screw Fastening H20A181 Catch to Cabinet  |
| H14A20  | Strike Case   | 61X328   | Lockwasher for C20A81 Screw (1 1/2" O.D.)   |
| H15A31  | Escutcheon Plate for Latch Handle   | GE3014   | Connector for Leads   |
| H15A41  | Escutcheon for Door Strip and Latch Bolt                                  | NP67860B | Nameplate Clip  |
| H15A43  | Latch Case with Bolt, Spring, Gasket and Nut                              |          |   |
| H15A44  | Spring for Latch Case and Bolt  |          |   |
| H15A45  | Nut Fastening Latch Case and Latch Handle to Outer Door Panel             |          |   |
| H15A50  | Latch Handle  |          |   |

† Refer to Accessories Section for parts included.

Always Give Catalog Number

## B-5-38A—Cabinet Parts



- A1R106† Accessories
- H3A97 Inner Liner with Shelf Supports
- H4A36 Cabinet Cover
- H5A184 Insulation between Inner Liner Cover and Cabinet Cover
- H5X20 Cabinet Insulation (Kimsul, 18" roll)
- H6A111 Refrigerating Machine Compartment Door
- H6A168 Door Complete (Right-Hand Cabinet)
- H6A169 Door Complete (Left-Hand Cabinet)
- H7A168 Outer Door Panel with Tapping Strips (Right-Hand Cabinet)
- H7A169 Outer Door Panel with Tapping Strips (Left-Hand Cabinet)
- H7A170 Inner Door Panel
- H9A31 Door Corner
- H9A32 Door Jamb Corner
- H10A117 Door Strip (Vertical, Hinge Side)
- H10A118 Door Strip (Vertical, Latch Side, with Escutcheon for Latch Bolt)
- H10A119 Door Strip (Horizontal)
- H10A120 Door Jamb Strip (Vertical, Hinge Side)
- H10A121 Door Jamb Strip (Vertical, Latch Side)
- H10A122 Door Jamb Strip (Bottom)
- H10A123 Door Jamb Strip (Top)
- H11A11 Tapping Strip for Outer Case (Vertical)
- H11A20 Tapping Strip for Outer Case and Hinge
- H11A47 Tapping Strip for Outer Door Panel and Hinge
- H11A49 Tapping Strip for Screw Fastening Inner Liner Cover to Inner Liner or Spring to Refrigerating Machine Compartment Door
- H11A59 Tapping Strip for Outer Case and Condenser or for Back Clip for Cabinet Cover
- H11A124 Tapping Strip for Outer Door Panel (Vertical, Latch Side)
- H11A125 Tapping Strip for Inner Door Panel (Vertical)
- H11A127 Tapping Strip for Outer Case (Top)
- H11A128 Tapping Strip for Outer Case (Bottom)
- H11A129 Tapping Strip for Inner Door Panel (Horizontal)
- H11A130 Tapping Strip for Outer Door Panel (Vertical, Hinge Side)
- H11A131 Tapping Strip for Outer Door Panel (Horizontal)
- H11A132 Tapping Strip for Inner Liner (Vertical)
- H11A133 Tapping Strip for Inner Liner (Horizontal)
- H11A134 Tapping Strip for Inner Liner and Slotted Shelf Support
- H12A2 Screw Fastening H17A89 or H17A90 Shelf Supports to Inner Liner
- H12X2 Screw for Door Strip, Door Jamb Strip, Light Switch or Inner Liner Cover
- H13A148 Gasket between Latch Case and Outer Door Panel
- H13A149 Seal for Latch Handle
- H13A158 Rubber Gasket for Cabinet Cover
- H13A180 Rubber Door Gasket
- H13A181 Fiber Gasket between Light Switch and Door Jamb Strip
- H14A19 Strike
- H14A20 Strike Case
- H15A41 Escutcheon for Door Strip and Latch Bolt

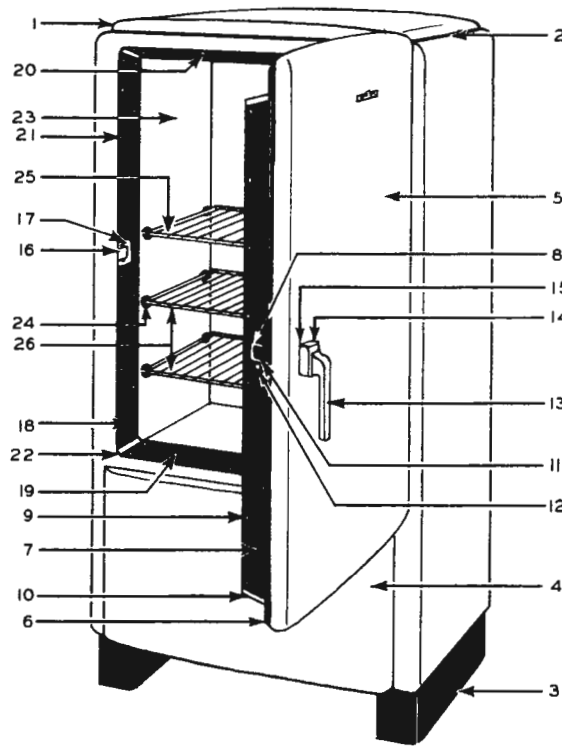
- H15A42 Scuff Plate and Clip for Latch Handle
- H15A43 Latch Case with Bolt, Spring, Gasket and Nut
- H15A44 Spring for Latch Case and Bolt
- H15A45 Nut Fastening Latch Case and Latch Handle to Outer Door Panel
- H15A46 Latch Handle without Escutcheon
- H15A47 Escutcheon for Latch Handle
- H16A35 Hinge with End Covers
- H16A36 Center Cover for Hinge
- H17A89 Shelf Support (Straight) or Nut for 46X784 Skirt Screw (1/2" long)
- H17A90 Shelf Support (Headed)
- H17A95 Shelf Support (Double Slot, 1/4" thick)
- H17A96 Shelf Support (Double Slot, 3/8" thick)
- H17A97 Shelf Support (Double Slot, 1/2" thick)
- H17A98 Shelf Support (Double Slot, 5/8" thick)
- H17A105 Stop for Shelf
- H17A111 Fiber Washer for Double Slot Shelf Support
- H17A122 Shelf Support (Straight, 3/4" long)
- H17A132 Sliding Shelf with Stop (Lower)
- H17A133 Sliding Shelf with Stop (Upper)
- H17A134 Shelf (Top)
- H17A135 Removable Half Shelf (Bottom)
- H18A3 Washer for H17A90 Shelf Support (1/2" O.D.)
- H18A22 Washer for 153608 or 261646 Screws (3/8" O.D.)
- H18A92 Rivet for H11A20 or H11A47 Tapping Strips
- H19A26 Lamp Guard
- H19A27 Bushing for Light Receptacle
- H20A4 Rivet for H11A11, H11A124, H11A127, H11A128, H11A130, H11A131, H11A182 or H11A133 Tapping Strips
- H20A6 Screw for Nameplate Clip
- H20A47 Screw for Hinge
- H20A49 Screw for H20A181 Catch
- H20A60 Screw for H20A170 Clip, Tube Seal, H20A239 Catch, or H20A282 Bracket
- H20A62 Screw Fastening H20A243 Spacer to Bottom of Condenser
- H20A74 Fiber Washer for H12X2 Screw Fastening Inner Liner Cover to Inner Liner (5/8" O.D.)
- H20A86 Screw for H20A161 Clip
- H20A110 Rubber Plug for Inner Liner Cover
- H20A117 Lockwasher for Latch Handle Nut
- H20A118 Rivet for H11A59 Tapping Strip
- H20A159 Screw Fastening H17A95, H17A96, H17A97 or H17A98 Shelf Supports to Inner Liner
- H20A161 Clip for Cabinet Cover (Front)
- H20A170 Clip for Cabinet Cover (Back)
- H20A174 Screw Fastening Spring to Refrigerating Machine Compartment Door
- H20A181 Catch for Refrigerating Machine Compartment Door
- H20A239 Catch for Refrigerating Machine Compartment Door Spring
- H20A240 Washer for H20A181 Catch (1/2" O.D.)
- H20A241 Spring for Refrigerating Machine Compartment Door
- H20A242 Rubber Button Spacer for Refrigerating Machine Compartment Door
- H20A243 Rubber Spacer for Bottom of Condenser
- H20A247 Support for Shelf and Drawer
- H20A248 Rubber Bumper for Shelf
- H20A249 Rubber Button for H20A247 Support
- H20A250 Washer between Front Panel and Pan for Vegetable Drawer (1" O.D.)
- H20A251 Rubber Washer between Scuff Plate Clip and Outer Door Panel (1/2" O.D.)
- H20A253 Rubber Spacer for Shelf Support
- H20A256† Bracket for Separator Release (Early production Cabinets)
- H20A282‡ Bracket for Separator Release (Late production Cabinets)
- H22A29 Insulation for Refrigerating Machine Compartment Door
- H27A48 Base
- H28A31 Skirt for Base
- H30A34 Handle for Vegetable Drawer
- H30A39 Vegetable Drawer
- H30A40 Front Panel for Vegetable Drawer
- H30A41 Pan for Vegetable Drawer
- H30A42 Cover for Vegetable Drawer
- 153608 Screw Fastening Condenser to Base
- 160980 Washer for 46X784 Screw (3/4" O.D.)
- 165736 Washer for 69X893 or H20A174 Screws (3/8" O.D.)
- 177811 Nut for 153608 or 261646 Screws
- 179789 Fiber Washer for 58X350 Screw (1/2" O.D.)
- 261646 Screw Fastening Unit to Base
- 11X339 Screw for H14A19 Strike, H14A20 Strike Case, or H15A43 Latch Case
- 20X536 Screw Fastening Cabinet to Base
- 46X784 Screw Fastening Skirt to Base
- 58X310 Lockwasher for 11X339 Strike Screw
- 58X324 Lockwasher for H20A159 Screw
- 58X325 Lockwasher for 58X326 Scuff Plate Nut
- 58X326 Nut Fastening Scuff Plate to Outer Door Panel
- 58X350 Screw Fastening Front Panel of Vegetable Drawer
- 69X893 Screw Fastening Unit Condenser to Back of Outer Case, or H20A170 Clip to Cabinet
- 78X81 Light Receptacle
- 80X132 Washer for H20A62 Screw (1/2" O.D.)
- 1GA21H3 Momentary Contact Switch with 8" Leads
- GE3014 Connector for Leads
- NP66086B Nameplate Clip

† Refer to Accessories Section for parts included.

‡ H20A282 is fastened to the liner with a screw while H20A256 is clamped between liner and liner cover. These parts are not interchangeable.

Always Give Catalog Number

# JB5-38A - Cabinet Parts



Ref. No.	Cat. No.	Name of Part
1	H4A36	TOP COVER FOR CABINET
2	H13A158	Gasket for top cover
	H20A161	Clip for top cover, front
	H20A170	Clip for top cover, back
	H20A86	Screw for Cat. H20A161 (10-30)
	H20A60	Screw fastening Cat. H20A170 to top cover, or for refrigerator line sealing plate (No. 8)
	69X893	Screw fastening Condenser to outer case or Cat. H20A170 to Cabinet (No. 10)
	165736	Washer for Cat. 69X893
	H20A243	Rubber spacer for back of condenser
	H20A62	Screw fastening spacer to condenser (No. 8)
	80X132	Washer for Cat. H20A62
3	H27A49	BASE WITH SCREWS FOR CONDENSER
	153608	Cap screw fastening condenser to base
	177811	Nut for Cat. 153608
	H18A22	Washer for Cat. 153608
	20X536	Cap screw fastening Cabinet to base (1/4 in.-20)
	160980	Washer for Cat. 20X536
	261646	Cap Screw Fastening Refrigerating Machine to Base (5/16 in.-18)
	177811	Nut for Cat. 261646
	H18A22	Washer for Cat. 261646
4	H6A117	LOWER DOOR PANEL
	H20A241	Spring Clip for Lower Door Panel
	H20A174	Screw for Cat. H20A241 (10-30)
	165736	Washer for Cat. H20A174
	H20A242	Rubber Button Spacer for Lower Door Panel
	H20A181	Support for Lower Door Panel
	H20A49	Screw for Cat. H20A181 (No. 8)
	H20A240	Washer for Cat. H20A49
	H20A239	Catch for Spring Clip Cat. H20A241
	H20A60	Screw for Cat. H20A239 (No. 8)
5	-	DOOR FOR CABINET
5	H7A171	Outer Door Panel (Right-Hand Cabinet)
	H7A172	Outer Door Panel (Left-Hand Cabinet)
6	H13A180	Door Gasket
	H10A117	Door Strip, Hinge Side
	H10A119	Door Strip, Top or Bottom
	H10A118	Door Strip, Latch Side, with Escutcheon for Latch Bolt
8	H15A41	Escutcheon for Latch Bolt
9	H12X2	Screw for Door Strip (10-30)
10	H9A31	Door Corner
	H7A170	Inner Door Panel
11	H15A43	Latch, with Gasket, Nut and Lockwasher
	H15A44	Spring for Latch
	H15A45	Nut for Latch and Handle

Ref. No.	Cat. No.	Name of Part
	H13A148	Gasket Between Latch and Outer Door Panel
	H20A117	Lockwasher for Cat. H15A45
12	11X339	Screw Fastening Latch to Door Strip (10-30)
	H20A6	Screw for Nameplate Clip (4-48)
	NP67860A	Nameplate
	NP67860B	Nameplate Clip
13	H15A50	Latch Handle without Escutcheon
14	H15A31	Escutcheon for Latch Handle
15	H13A148	Gasket Between Latch Handle and Door Panel
	H16A37	Hinge with End Covers
	H16A38	Middle Cover for Hinge
	H20A47	Screw for Hinge (12-28)
16	H14A19	Strike for Latch Bolt
17	H14A20	Strike Case
	11X339	Screw for Cat. H14A19 (10-30)
	58X310	Lockwasher for Cat. 11X339
	1GA21H3	Door Switch with 8 inch Leads
	H13A181	Gasket for Cat. 1GA21H3
	H12X2	Screw for Cat. 1GA21H3 (10-30)
18	H10A121	Door Jamb Strip, Latch Side
19	H10A122	Door Jamb Strip, Bottom
20	H10A123	Door Jamb Strip, Top
	H10A120	Door Jamb Strip, Hinge Side
21	H12X2	Screw for Door Jamb Strip (10-30)
22	H9A32	Door Jamb Corner
23	H3A98	INNER LINER WITH SHELF SUPPORTS
24	H17A89	Shelf Support, Straight (1/2 in. long)
	H17A122	Shelf Support, Straight (3/4 in. long)
	H17A90	Shelf Support, Headed (1/2 in. long)
	H18A3	Washer for Cat. H17A90
	H12A2	Screw for Shelf Support (1/4 in.-20)
	H20A110	Rubber Plug for Inner Liner Cover
	H12X2	Screw Fastening Inner Liner Cover to Inner Liner (10-30)
	H20A74	Washer (Fiber) for Cat. H12X2
	H17A134	Shelf, Small, Side of Evaporator
25	H17A137	Shelf, Large, Top
26	H17A136	Shelf, Large, Middle or Bottom
	H20A244	Hook for ice tray lifter (early production)
	H20A282	Bracket for Ice Tray Separator Release (late production)
	H20A60	Screw for Cat. H20A282 (No. 8)
	78X81	Lamp Receptacle
	H19A27	Bushing for Lamp Receptacle
	H19A26	Lamp Guard
	GE3014	Connector for Wire
	H5A185	Cabinet Insulation (set)
	H22A29	Insulation for lower door panel
	*AIR107	Accessories

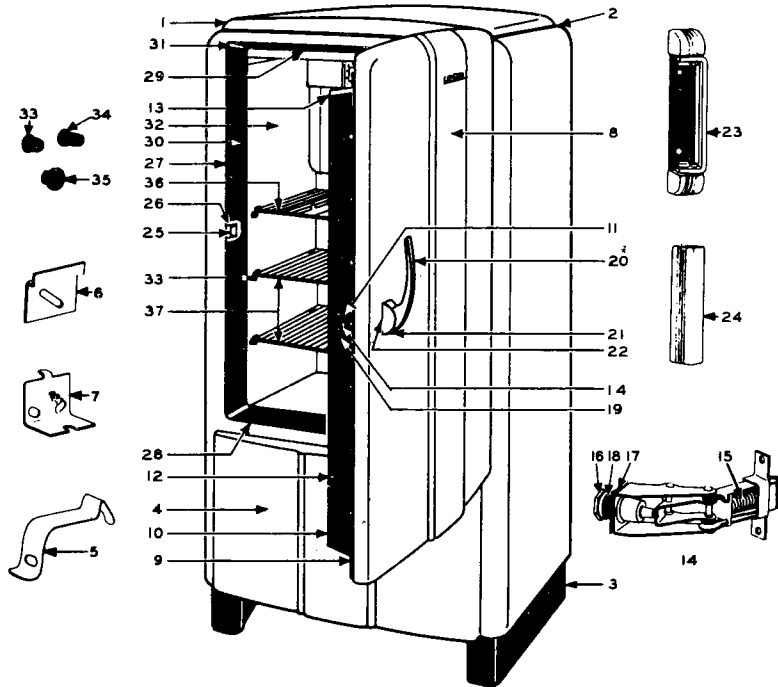
\*Superseded by Cat. H3A119. Cat. 78X435 Lamp Receptacle and Cat. H20A60 Screw must be used with Cat. H3A119 Liner.

\*\*Refer to Accessories Section for parts included.

Always Give Catalog Number

# JB5-39A, JB5-39B—Cabinet Parts

FOR REFRIGERATING MACHINE PARTS REFER TO CF-1G UNIT  
FOR ACCESSORIES REFER TO ACCESSORIES SECTION



Ref. No.	Catalog Number	Name of Part
1	H4A36	TOP COVER FOR CABINET
2	H13A158	Gasket for Top Cover
	H20A161	Clip for Top Cover, Front
	H20A170	Clip for Top Cover, Back
	H20A86	Screw for Cat. H20A161 (10-30)
	H20A60	Screw for Fastening H20A170 to Top Cover, or Refrigerant Line Sealing Plate (No. 8)
	69X893	Screw Fastening Condenser to Outer Case, or H20A170 to Cabinet (No. 10)
	H20A243	Rubber Spacer for Back of Condenser
	H20A62	Screw Fastening Spacer to Condenser (No. 8)
	80X132	Washer for Cat. H20A62
3	H27A49	BASE WITH SCREWS FOR CONDENSER
	91X208	Cap Screw Fastening Condenser to Base (5/16 in.-18)
	177811	Nut for Cat. 91X208
	H18A22	Washer for Cat. 91X208 (7/8 in. O.D.)
	H18A18	Washer for Cat. 91X208 (5/8 in. O.D.)
	20X536	Cap Screw Fastening Outer Case to Base (1/4 in.-20)
	180980	Washer for Cat. 20X536
	261646	Cap Screw Fastening Refrigerating Machine to Base (5/16 in.-18)
	177811	Nut for Cat. 261646
	H18A22	Washer for Cat. 261646
4	H6A121	LOWER DOOR PANEL
5	H20A241	Spring Clip for Lower Door Panel
	H20A174	Screw for Cat. H20A241 (10-30)
	165736	Washer for Cat. H20A174
	H20A242	Rubber Button Spacer for Lower Door Panel
6	H20A181	Support for Lower Door Panel
	H20A49	Screw for Cat. H20A181 (No. 8)
	H20A240	Washer for Cat. H20A49
7	H20A239	Catch for Spring Clip Cat. H20A241
	H20A60	Screw for Cat. H20A239 (No. 8)
8	-	DOOR FOR CABINET
	H7A227	Outer Door Panel (Right-Hand Cabinet)
	H7A228	Outer Door Panel (Left-Hand Cabinet)
9	H13A180	Door Gasket
	H10A117	Door Strip, Hinge Side
	H10A119	Door Strip, Top or Bottom
	H10A118	Door Strip, Latch Side, with Escutcheon for Latch Bolt
11	H15A41	Escutcheon for Latch Bolt
12	H12X2	Screw for Door Strip (10-30)
13	H9A31	Door Corner
	H7A170	Inner Door Panel
14	H15A43	Latch, with Gasket, Nut and Lockwasher
15	H15A44	Spring for Latch
16	H15A45	Nut for Latch and Handle
17	H13A148	Gasket Between Latch and Outer Door Panel

Ref. No.	Catalog Number	Name of Part
18	H20A117	Lockwasher for Cat. H15A45
19	11X339	Screw Fastening Latch to Door Strip (10-30)
	H20A6	Screw for Nameplate Clip (4-48)
	NP66086A	Nameplate
	NP66086B	Nameplate Clip
20	H15A62	Latch Handle without Escutcheon
21	H15A47	Escutcheon for Latch Handle
22	H13A149	Gasket Between Latch Handle and Door Panel
23	H16A49	Hinge with End Covers
24	H16A50	Middle Cover for Hinge
	H20A47	Screw for Hinge (12-28)
25	H14A19	Strike for Latch Bolt
26	H14A20	Strike Case
	11X339	Screw for Cat. H14A19 (10-30)
	58X310	Lockwasher for Cat. 11X339
	1GA21H3	Door Switch with 8 Inch Leads
	H13A181	Gasket for Cat. 1GA21H3
	H12X2	Screw for Cat. 1GA21H3 (10-30)
27	H10A121	Door Jamb Strip, Latch Side
28	H10A122	Door Jamb Strip, Bottom
29	H10A123	Door Jamb Strip, Top
	H10A120	Door Jamb Strip, Hinge Side
30	H12X2	Screw for Door Jamb Strip (10-30)
31	H9A32	Door Jamb Corner
32	H3A98	INNER LINER WITH SHELF SUPPORTS (JB-5-39A)
32	H3A119	INNER LINER WITH SHELF SUPPORTS (JB-5-39B)
33	H17A89	Shelf Support, Straight (1/2 in. long)
34	H17A122	Shelf Support, Straight (3/4 in. long)
35	H17A90	Shelf Support, Headed (1/2 in. long)
	H12A2	Screw for Shelf Support (1/4 in.-20)
	H20A110	Rubber Plug for Inner Liner Cover
	H12X2	Screw Fastening Inner Liner Cover to Inner Liner (10-30)
	H20A74	Washer (Fiber) for Cat. H12X2
	H20A75	Washer (Rubber) for Cat. H12X2
	H17A134	Shelf, Small, Side of Evaporator
	H17A137	Shelf, Large, Top
	H17A136	Shelf, Large, Middle or Bottom
	H20A282	Bracket for Ice Tray Separator Release
	H20A60	Screw for Cat. H20A282 (No. 8)
	78X81	Lamp Receptacle (JB-5-39A)
	H19A27	Bushing for Lamp Receptacle (JB-5-39A)
	H19A26	Lamp Guard (JB-5-39A)
	78X435	Lamp Receptacle (JB-5-39B)
	H20A60	Screw for 78X435 (No. 8)
	GE3014	Connector for Wire
	H5X20	Cabinet Insulation (Kimsul, 18' roll)
	*AIR142	Accessories

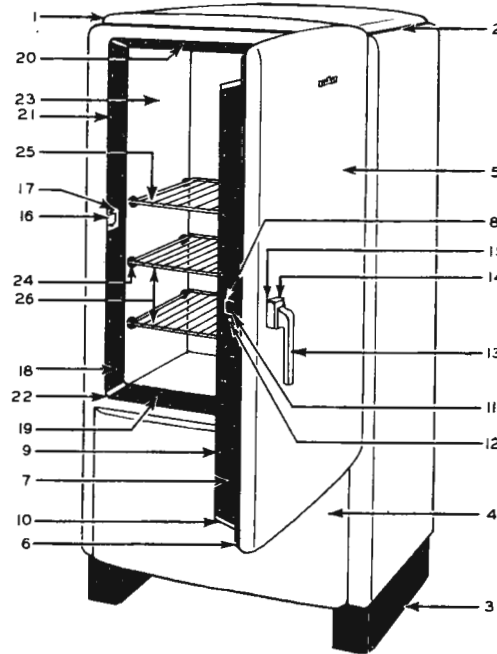
\* Refer to Accessories Section for Parts Included.

† Later Production Cabinets used Cat. 105113 Screw (10-32) with Cat. 200384 Nut.

‡ Later Production Cabinets used Cat. 105136 Screw (10-32) with Cat. 200384 Nut and Cat. H20A380 Washer.

# RC5-38A - Cabinet Parts

FOR REFRIGERATING MACHINE PARTS REFER TO CD-2 UNIT  
FOR ACCESSORIES REFER TO ACCESSORIES SECTION



Ref. No.	Catalog Number	Name of Part
1	H4A36	TOP COVER FOR CABINET
2	H13A158	Gasket for Top Cover
	H20A161	Clip for Top Cover, Front
	H20A170	Clip for Top Cover, Back
	H20A86	Screw for H20A161 (10-30)
	H20A60	Screw Fastening H20A170 to Top Cover (No. 8)
	69X893	Screw Fastening H20A170 to Cabinet (No. 10)
	165736	Washer for 69X893 Screw
	H20A287	Plate for Refrigerant Line Seal
	H20A288	Gasket for Refrigerant Line Seal
	H20A60	Screw for H20A287 (No. 8)
	H20A201	Clamp for Tubes, Upper
	H20A202	Clamp for Tubes, Lower
	H20A60	Screw for H20A201 and H20A202 (No. 8)
	H20A20	Spacer for Clamp H20A201
	H20A62	Screw for H20A20 (No. 8)
	179789	Fiber Washer for H20A62
3	H27A81	BASE
	20X536	Screw Fastening Cabinet to Base (1/4 in.-20)
	160980	Washer for 20X536 (3/4 in. O.D.)
	6X737	Screw Fastening Refrigerating Machine to Base (5/16 in.-18)
	H18A18	Steel Washer for 6X737 (5/8 in. O.D.)
	H18A22	Washer for 6X737 (7/8 in. O.D.)
	177811	Nut for Screw 6X737
4	H6A117	LOWER DOOR PANEL
	H20A241	Spring Clip for Lower Door Panel
	H20A174	Screw for H20A241 (10-30)
	165736	Washer for H20A174 (5/8 in. O.D.)
	H20A242	Rubber Button Spacer for Lower Door Panel
	H20A181	Support for Lower Door Panel
	H20A240	Washer for H20A181 (7/8 in. O.D.)
	H20A49	Screw for H20A181 (No. 8)
	H20A239	Catch for Spring Clip, Cat. H20A241
	H20A60	Screw for H20A239 (No. 8)
5	H6A171	DOOR FOR RIGHT-HAND CABINET
	H6A172	DOOR FOR LEFT-HAND CABINET
5	H7A171	Outer Door Panel (Right-Hand Cabinet)
	H7A172	Outer Door Panel (Left-Hand Cabinet)
6	H13A180	Door Gasket
	H10A117	Door Strip, Hinge Side
	H10A119	Door Strip, Top or Bottom
7	H10A118	Door Strip, Latch Side, with Escutcheon for Latch Bolt
8	H15A41	Escutcheon for Door Strip and Latch Bolt
9	H12X2	Screw for Door Strip (10-30)
10	H9A31	Door Corner
	H7A170	Inner Door Panel
11	H15A43	Latch, with Gasket, Nut and Lockwasher
	H15A44	Spring for Latch
	H15A45	Nut for Latch and Handle
	H13A148	Gasket Between Latch and Outer Door Panel
	H20A117	Lockwasher for H15A45
12	11X339	Screw Fastening Latch to Door Strip (10-30)

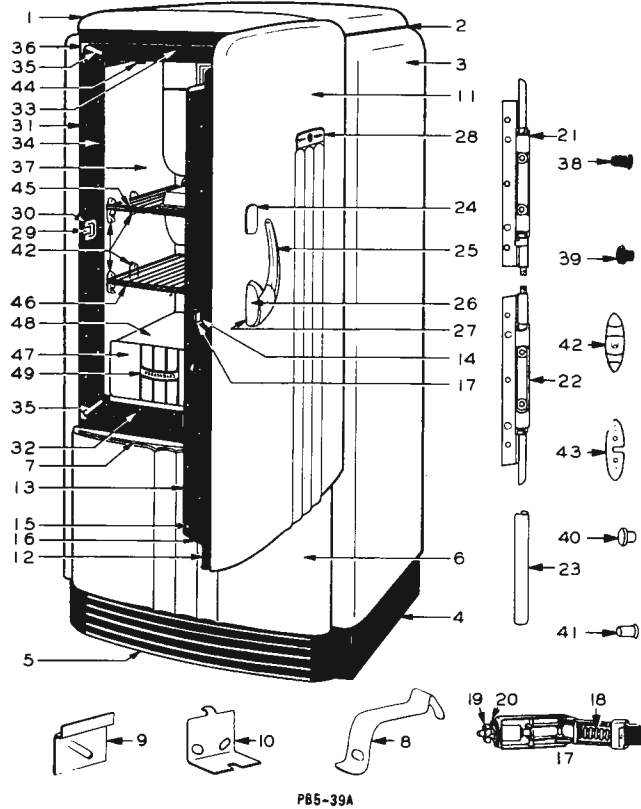
Ref. No.	Catalog Number	Name of Part
	NP67860A	Nameplate
	NP67860B	Nameplate Clip
	H20A6	Screw for Nameplate Clip (4-48)
13	H15A50	Latch Handle without Escutcheon
14	H15A31	Escutcheon for Latch Handle
15	H13A104	Gasket Between Latch Handle and Door Panel
	H16A37	Hinge with End Covers
	H16A38	Middle Cover for Hinge
	H20A47	Screw for Hinge (12-28)
16	H14A19	Strike
17	H14A20	Strike Case
	11X339	Screw for Strike (10-30)
	58X310	Lockwasher for 11X339
	1GA21M3	Door Switch with 8 in. Leads
	H13A181	Fiber Gasket Between Door Switch and Door Jamb Strip
	H12X2	Screw for Door Switch (10-30)
	H10A120	Door Jamb Strip, Hinge Side
	H10A121	Door Jamb Strip, Latch Side
	H10A122	Door Jamb Strip, Bottom
20	H10A123	Door Jamb Strip, Top
21	H12X2	Screw for Door Jamb Strip (10-30)
22	H9A32	Door Jamb Corner
23	H3A98	INNER LINER WITH SHELF SUPPORTS
24	H17A89	Shelf Support, Straight
	H17A90	Shelf Support, Headed
	H16A3	Washer for H17A90 (1/2 in. O.D.)
	H12A2	Screw for Shelf Support (1/4 in.-20)
	H3A22	Inner Liner Cover
	H20A110	Rubber Plug for Inner Liner Cover
	H12X2	Screw for Inner Liner Cover (10-30)
	H20A74	Washer for H12X2, Fiber (5/8 in. O.D.)
	H20A55	Cork Spacer Between Inner Liner Cover and Evaporator
	H20A337	Screw Fastening Evaporator to Inner Liner Cover (5/16 in.-18)
	H20A322	Steel Washer for H20A337 (1-1/8 in. O.D.)
	H20A323	Cork Washer for H20A337 (1 in. O.D.)
	I26869	Nut for H20A337
	61X328	Lockwasher for I26869
	H17A134	Shelf (Top, Small)
	H17A137	Shelf (Top, Large)
	H17A136	Shelf (Middle or Bottom)
25	H20A167	Hook for Ice Tray Lifter
26	78X81	Lamp Receptacle
	H19A27	Bushing for Lamp Receptacle
	H19A26	Lamp Guard
	GE3014	Connector for Leads
	H5A185	Cabinet Insulation (set)
	H22A29	Insulation for Lower Door Panel
	H5A184	Insulation Between Inner Liner Cover & Top Cover
	H5A173	Insulation for Base
	150167	Screw Fastening Insulation to Base (10-32)
	165736	Washer for 150167 (5/8 in. O.D.)
	145996	Nut for 150167
	*A1R130	Accessories

\* Refer to Accessories Section for Parts Included.

† Superseded by H3A119. Cat. 78X435 Lamp Receptacle and H20A60 Screw must be used with H3A119 Liner.

# B5-39A, PB5-39A - Cabinet Parts

FOR REFRIGERATING MACHINE PARTS REFER TO CF-1G UNIT  
FOR ACCESSORIES REFER TO ACCESSORIES SECTION



PB5-39A

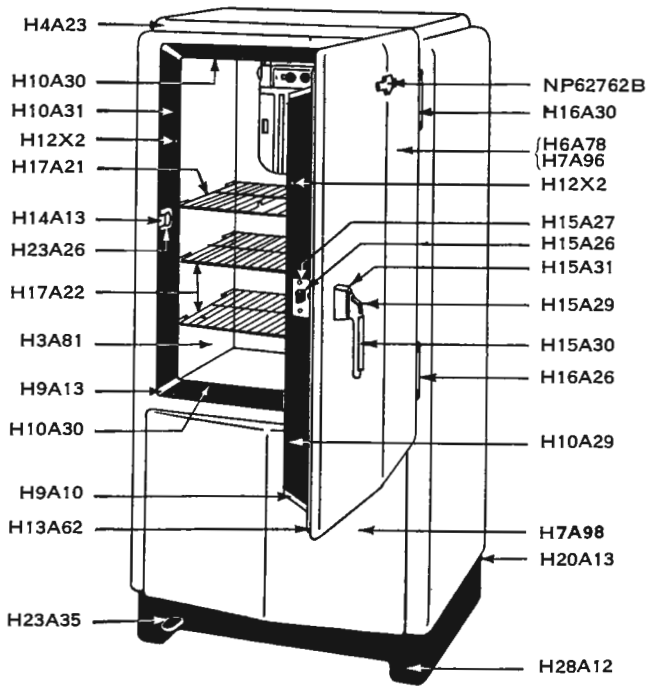
Ref. No.	Catalog Number		Name of Part
	B5-39A	PB5-39A	
1	H4A36	H4A39	TOP COVER FOR CABINET
2	H13A156	H13A152	Gasket for Top Cover
	H20A161	H20A161	Clip for Top Cover, Front
	H20A170	H20A170	Clip for Top Cover, Back
	-	H13A183	Gasket for Cat. H20A170
	H20A86	H20A86	Screw for Cat. H20A161 (10-30)
	H20A60	H20A60	Screw Fastening H20A170 to Top Cover, or for Refrigerant Line Sealing Plate (No. 8)
	-	H13A166	Gasket for Refrigerant Line Sealing Plate
	-	H2A97	OUTER CASE (RIGHT-HAND CABINET)
	-	H2A98	OUTER CASE (LEFT-HAND CABINET)
3	69X893	69X893	Screw Fastening Condenser to Outer Case, or Cat. H20A170 to Cabinet (No. 10)
	H20A243	H20A243	Rubber Spacer for Back of Condenser
	H20A62	H20A62	Screw for Cat. H20A243 (No. 8)
	80X132	80X132	Washer for Cat. H20A62
4	H27A88	H27A88	BASE WITH SCREWS FOR CONDENSER
	91X208	91X208	Cap Screw Fastening Condenser to Base (5/16 in.-18)
	177811	177811	Nut for Cat. 91X208
	H18A18	H18A18	Washer for Cat. 91X208, (5/8 in. O.D.)
	H18A22	H18A22	Washer for Cat. 91X208, (7/8 in. O.D.)
	-	H20A254	Rubber Pad Between Base and Cabinet
	20X536	20X529	Cap Screw Fastening Outer Case to Base (1/4 in.-20)
	160980	160980	Washer for Cat. 20X529 or 20X536
	-	H20A255	Fiber Washer for Cat. 20X529
	261646	261646	Cap Screw Fastening Refrigerating Machine to Base (5/16 in.-18)
	177811	177811	Nut for Cat. 261646
	H18A22	H18A22	Washer for Screw Cat. 261646
5	H27A89	H27A89	Grille for Base
	65X229	65X229	Cap Screw Fastening Grille to Base (1/4"-20)
	59X241	59X241	Wing Nut for Cat. 65X229
6	H7A215	H7A219	LOWER DOOR PANEL
7	-	H18A150	Trim with Clips for Lower Door Panel
	-	H20A358	Clip for Trim
8	H20A241	H20A241	Spring Clip for Lower Door Panel
	H20A174	H20A174	Screw for Cat. H20A241 (10-30)
	165736	165736	Washer for Cat. H20A174
	H20A242	H20A242	Rubber Button Spacer for Lower Door Panel
9	H20A181	H20A181	Support for Lower Door Panel
	H20A49	H20A49	Screw for Cat. H20A181 (No. 8)
	H20A240	H20A240	Washer for Cat. H20A49
10	H20A239	H20A239	Catch for Spring Clip Cat. H20A241
	H20A60	H20A60	Screw for Cat. H20A239 (No. 8)
11	-	-	DOOR FOR CABINET
	H7A216	H7A220	Outer Door Panel (Right-Hand Cabinet)
	H7A217	H7A221	Outer Door Panel (Left-Hand Cabinet)
12	H13A180	H13A180	Door Gasket

Ref. No.	Catalog Number		Name of Part
	B5-39A	PB5-39A	
13	H10A117	H10A117	Door Strip, Hinge Side
	H10A119	H10A119	Door Strip, Top or Bottom
	H10A147	H10A147	Door Strip, Latch Side, with Escutcheon for Latch Bolt
14	H15A41	H15A41	Escutcheon for Latch Bolt
15	H12X2	H12X2	Screw for Door Strip (10-30)
16	H9A31	H9A31	Door Corner
	H7A218	H7A218	Inner Door Panel
17	H15A63	H15A63	Latch with Gasket and Nut
18	H15A64	H15A64	Spring for Latch
19	H15A65	H15A65	Nut for Latch and Handle
20	H15A66	H15A66	Gasket Between Latch & Outer Door Panel
	11X339	11X339	Screw Fastening Latch to Door Strip (10-30)
21	H16A55	H16A55	Hinge, without Cover, Upper RH or Lower LH
22	H16A56	H16A56	Hinge, without Cover, Lower RH or Upper LH
	H16A57	H16A57	Space Tube Between Hinges
23	H16A52	H16A52	Cover for Hinge
	128619	H13A197	Gasket Between Hinge & Outer Door Panel
	H15A67	H15A67	Screw Fastening Hinge to Outer Door (10-32)
24	H20A6	H20A6	Scuff Plate for Latch Handle
	58X276	58X276	Screw for Thermometer, Nameplate Clip or Scuff Plate (4-48)
25	H15A68	H15A68	Latch Handle Without Escutcheon
26	H15A69	H15A69	Escutcheon for Latch Handle
27	H13A195	H13A195	Gasket Between Latch Handle and Outer Door Panel
28	NP74779A	NP74779A	Nameplate
	NP74779B	NP74779B	Nameplate Clip
	167651	167651	Screw Fastening Hinge to Cabinet (12-28)
	-	H13A196	Gasket Between Hinge and Cabinet
29	H14A19	H14A19	Strike for Latch Bolt
30	H14A20	H14A20	Strike Case
	11X339	11X339	Screw for Strike (10-30)
	58X310	58X310	Lockwasher for Cat. 11X339
	1GA21H3	1GA21H3	Door Switch with 8 inch Leads
	H13A181	H13A181	Gasket for Cat. 1GA21H3
	H12X2	H12X2	Screw for Cat. 1GA21H3 (10-30)
31	H10A121	H10A121	Door Jamb Strip, Latch Side
32	H10A122	H10A122	Door Jamb Strip, Bottom
33	H10A123	H10A123	Door Jamb Strip, Top
	H10A120	H10A120	Door Jamb Strip, Hinge Side
34	H12X2	H12X2	Screw for Door Jamb Strip (10-30)
35	H9A32	H9A32	Door Jamb Corner
36	-	H18A136	Door Jamb Corner Trim
37	H3A117	H3A117	INNER LINER WITH SHELF SUPPORTS
38	H17A122	H17A122	Shelf Support, Straight, Black (3/4 in. long)
39	H17A90	H17A90	Shelf Support, Headed (1/2 in. long)
	H20A253	H20A253	Spacer for Cat. H17A90
40	H17A194	H17A194	Shelf Support, Headed, White (1/2 in. long)
	H18A3	H18A3	Washer for Cat. H17A194
41	H17A195	H17A195	Shelf Support, Straight, White (3/4 in. long)
	H12A2	H12A2	Screw for H17A122, H17A90, H17A194 or H17A195 (1/4 in.-20)
42	H17A197	H17A197	Shelf Support, Double Slot
43	H20A389	H20A389	Shim for H17A197 (.031 in. thick)
	H20A390	H20A390	Shim for H17A197 (.0625 in. thick)
	H20A159	H20A159	Screw for Cat. H17A197 (10-30)
	58X364	58X364	Lockwasher for Cat. H20A159
	H20A110	H20A110	Rubber Plug for Inner Liner Cover
	H12X2	H12X2	Screw Fastening Inner Liner Cover to Inner Liner (10-30)
	H20A74	H20A74	Washer (Fiber) for Cat. H12X2
	H20A75	H20A75	Washer (Rubber) for Cat. H12X2
44	H20A282	H20A282	Bracket for Ice Tray Separator Release
	H20A60	H20A60	Screw for Cat. H20A282 (No. 8)
	H17A205	H17A205	Shelf, Small, Side of Evaporator
45	H17A206	H17A206	Sliding Shelf with Stops, Top, Large
	H18A156	H18A156	Trim for Shelf Slide
46	H17A207	H17A207	Sliding Shelf with Stops, Bottom, Large
	H17A202	H17A202	Shelf Stop
	H17A208	H17A208	Shelf, Small, Over Utility Basket
	H20A248	H20A248	Bumper for Shelf
47	H30A75	H30A75	VEGETABLE DRAWER WITH COVER
48	H30A76	H30A76	Cover for Vegetable Drawer
	H30A77	H30A77	Pan for Vegetable Drawer
	H30A78	H30A80	Front Panel for Vegetable Drawer
49	H30A66	H30A70	Handle for Vegetable Drawer
	H30A67	H30A67	Spacer Between Pan and Front Panel
	H20A341	H20A341	Screw Fastening Handle and Front Panel to Pan (10-30)
	205128	205128	Nut for Cat. H20A341
	179789	179789	Washer for Cat. H20A341
	A21R115	A21R115	UTILITY BASKET
	A21R116	A21R116	Utility Basket without Handle and Front Panel
	H30A78	H30A80	Front Panel for Utility Basket
	H30A89	A21R94	Handle for Utility Basket
	H30A67	H30A67	Spacer Between Front Panel and Utility Basket
	H20A341	H20A341	Screw Fastening Handle and Front Panel to Utility Basket
	205128	205128	Nut for Cat. H20A341
	H20A342	H20A342	Support for Vegetable Drawer and Utility Basket
	H17A125	H17A125	Rubber Bumper for Cat. H20A342
	78X435	78X435	Lamp Receptacle
	H20A60	H20A60	Screw for Cat. 78X435 (No. 8)
	GE3014	GE3014	Connector for Wire
	H5X20	H5X20	Cabinet Insulation (Kimsul, 18' roll)
	A1R139	A1R140	*Accessories

† Later Production Cabinets used Cat. 105113 Screw (10-32) with Cat. 200384 Nut.  
‡ Later Production Cabinets used Cat. 105136 Screw (10-32) with Cat. 200384 Nut and Cat. H20A380 Washer.  
\* Refer to Accessories Section for Parts Included.



## VP-5A, VP-5C—Cabinet Parts



Name of Part	Cat. No.	
	VP-5A	VP-5C
Rubber Bushing for Light Receptacle	H13A145	H13A142
Gasket for H20A18 Cover Clip	H13A157	H13A145
Rubber Door Gasket	H14A13	H13A157
Strike	H15A26	H14A13
Latch Case with Bolt and Spring, Gasket and Nut	H15A27	H15A26
Escutcheon Plate for Latch Bolt	H15A29	H15A27
Latch Handle with Trim	H15A30	H15A29
Trim for Latch Handle	H15A31	H15A30
Escutcheon Plate for Latch Handle	H15A32	H15A31
Nut fastening Handle to Latch	H15A44	H15A32
Spring for Latch Case	H16A26	H15A44
Hinge (without Cover)	H16A27	H16A26
Opening Spring Cartridge for Hinge	H16A28	H16A27
Retarding Spring Cartridge for Hinge	H16A30	H16A28
Cover for Hinge	H17A1	H16A30
Shelf Support (Straight)	H17A3	H17A1
Shelf Support (Headed)	H17A20	H17A3
Shelf (Small)	H17A21	H17A20
Shelf (Large, Upper)	H17A22	H17A21
Shelf (Middle or Bottom)	H18A3	H17A22
Washer for H12A2 Screw	H18A18	H18A3
Washer for Screw fastening Condenser to Base	H18A22	H18A18
Washer for H20A15 or 106775 Screws	H18A54	H18A22
Momentary Contact Switch with Leads	H18A92	H18A54
Rivet for H11A20 or H11A47 Tapping Strips	H18A133	H18A92
Door Jamb Corner Trim	H19A4	H18A133
Lamp Guard		H19A5
Spring for H18A54 Switch		H19A6
Light Receptacle with Retaining Ring and Short Leads	H20A4	H19A15
Rivet for Tapping Strips	H20A6	H20A4
Screw for Nameplate Clip	H20A8	H20A6
Speed Nut for 49X789 Receptacle	H20A13	H20A8
Clip for Skirt	H20A14	H20A13
Clip for Cabinet Cover (Front)		H20A14
Cap Screw fastening Cabinet to Base or Foot Pedal Bracket to Base	H20A15	H20A15
Clip for Cabinet Cover (Back)	H20A18	H20A18
Screw for Hinge	H20A47	H20A47
Screw for H13A59 Gasket	H20A48	H20A48
Gasket for Hinge	H20A56	H20A56
Screw for H20A14, H20A18 or H20A61	H20A60	H20A60
Spring Clip for Refrigerating Machine Compartment Panel	H20A61	H20A61
Fiber Washer for H12X2 Screw	H20A74	H20A74
Rubber Washer for H12X2 Screw	H20A75	H20A75
Tray Lifter Hook	H20A98	H20A98
Plug for Inner Liner Cover	H20A110	H20A110
Lockwasher for H15A32 Nut	H20A117	H20A117
Rivet for H11A59 Strip	H20A118	H20A118
Catch for Refrigerating Machine Compartment Panel	H20A137	H20A137
Washer for 11X339 Screw	H20A138	H20A138
Sealing Cup with Connecting Rod	H23A24	H23A24
Strike Case with Plunger (Right-Hand Cabinet)	H23A26	H23A26
Strike Case with Plunger (Left-Hand Cabinet)	H23A27	H23A27
Foot Pedal Door Opener (Right-Hand Cabinet)	H23A31	H23A31
Foot Pedal Door Opener (Left-Hand Cabinet)	H23A32	H23A32
Foot Pedal with Bracket and Hinge Pin (Right-Hand Cabinet)	H23A33	H23A33
Foot Pedal with Bracket and Hinge Pin (Left-Hand Cabinet)	H23A34	H23A34
Rubber Boot for Foot Pedal	H23A35	H23A35
Connecting Rod between Foot Pedal and Turnbuckle	H23A36	H23A36
Connecting Rod between Sealing Cup and Turnbuckle	H23A37	H23A37
Connecting Rod between Sealing Cup and Plunger Rod	H23A38	H23A38
Turnbuckle for Connecting Rod	H23A39	H23A39
Base for Cabinet and Refrigerating Machine	H27A14	H27A14
Skirt for Base (Right-Hand Cabinet)	H28A12	H28A12
Skirt for Base (Left-Hand Cabinet)	H28A13	H28A13
Cotter Pin for Foot Pedal and Rod	14239	14239
Cap Screw fastening Refrigerating Machine to Base	106775	106775
Cap Screw fastening Condenser to Base	153609	
Screw for Tube Seal	153998	153998
Washer for 69X893 or 11X339 Screws (3/8" O.D.)	165736	165736
Nut fastening Condenser to Base or for 106775 Screw	177811	177811
Washer for 153998 Screw	179789	
Lockwasher for H20A15 Screw	6X814	6X814
Screw for H20A13, H14A13, H23A26, H23A27 or H20A137	11X339	11X339
Nut for 153998 Screw	29X705	29X705
Light Receptacle with Leads	49X789	
Retaining Ring for Light Receptacle		49X972
Lockwasher for 11X339 Screw	58X310	58X310
Check Nut for Turnbuckle (Left-Hand Thread)	64X973	64X973
Check Nut for Turnbuckle (Right-Hand Thread)	64X974	64X974
Screw fastening Condenser to Cabinet	69X893	69X893
Connector for Leads	GE3014	GE3014
Clip for Nameplate	NP62762B	NP62762B

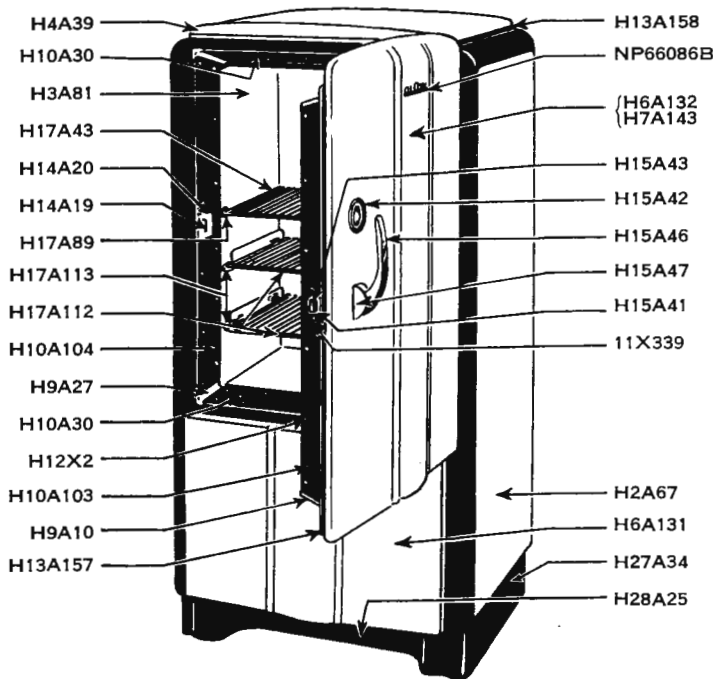
Name of Part	Cat. No.	
	VP-5A	VP-5C
†Accessories	A1R54	A1R54
Outer Case (Right Hand)	H2A31	H2A31
Outer Case (Left Hand)	H2A32	H2A32
Inner Liner with Shelf Supports	*H3A81	H3A81
Cabinet Cover	H4A23	H4A23
Insulation between Liner Cover and Top Cover	H5A141	H5A141
Cabinet Insulation (Kimsul, 18" roll)	H5X20	H5X20
Door Complete (Right Hand)	H6A78	H6A78
Door Complete (Left Hand)	H6A79	H6A79
Inner Cabinet Door Panel	H7A18	H7A18
Outer Cabinet Door Panel (Right Hand)	H7A96	H7A96
Outer Cabinet Door Panel (Left Hand)	H7A97	H7A97
Door Panel with Catches for Refrigerating Machine Compartment	H7A98	H7A98
Door Corner	H9A10	H9A10
Door Jamb Corner	H9A13	H9A13
Door Strip (Horizontal)	H10A27	H10A27
Door Strip (Vertical, Hinge Side)	H10A28	H10A28
Door Strip (Vertical, Latch Side)	H10A29	H10A29
Door Jamb Strip (Horizontal)	H10A30	H10A30
Door Jamb Strip (Vertical, Latch Side)	H10A31	H10A31
Door Jamb Strip (Vertical, Hinge Side, Right-Hand Cabinet)	H10A78	H10A78
Door Jamb Strip (Vertical, Hinge Side, Left-Hand Cabinet)	H10A79	H10A79
Tapping Strip for Outer Case (Vertical)	H11A11	H11A11
Tapping Strip for Outer Case (Horizontal)	H11A12	H11A12
Tapping Strip for Inner Liner (Vertical)	H11A13	H11A13
Tapping Strip for Inner Liner (Horizontal)	H11A14	H11A14
Tapping Strip for Door (Outer Vertical, Latch Side)	H11A15	H11A15
Tapping Strip for Door (Outer Vertical, Hinge Side)	H11A16	H11A16
Tapping Strip for Door (Outer, Horizontal)	H11A17	H11A17
Tapping Strip for Door (Inner, Vertical)	H11A18	H11A18
Tapping Strip for Door (Inner, Horizontal)	H11A19	H11A19
Tapping Strip for Hinge and Outer Case	H11A20	H11A20
Tapping Strip for Hinge and Door	H11A47	H11A47
Tapping Strip for Inner Liner Cover	H11A49	H11A49
Tapping Strip for Outer Case and Condenser Screw	H11A59	H11A59
Screw for Shelf Support	H12A2	H12A2
Screw for Door Jamb Strip, Door Strip, or Inner Liner Cover	H12X2	H12X2
Gasket for Sealing Cup	H13A59	H13A59
Gasket for H4A23 Cover	H13A65	H13A65
Gasket between Hinge Tapping Strip and Door Panel	H13A83	H13A83
Gasket for Latch Handle Escutcheon Plate and Outer Door Panel	H13A104	H13A104

\* When ordering specify for VP-5A Cabinet and one H19A15 Light Receptacle with Retaining Ring and short leads and one H13A142 Rubber Bushing will be furnished, no charge.

† Refer to Accessories Section for parts included.

Always Give Catalog Number

## PB-5-37A—Cabinet Parts



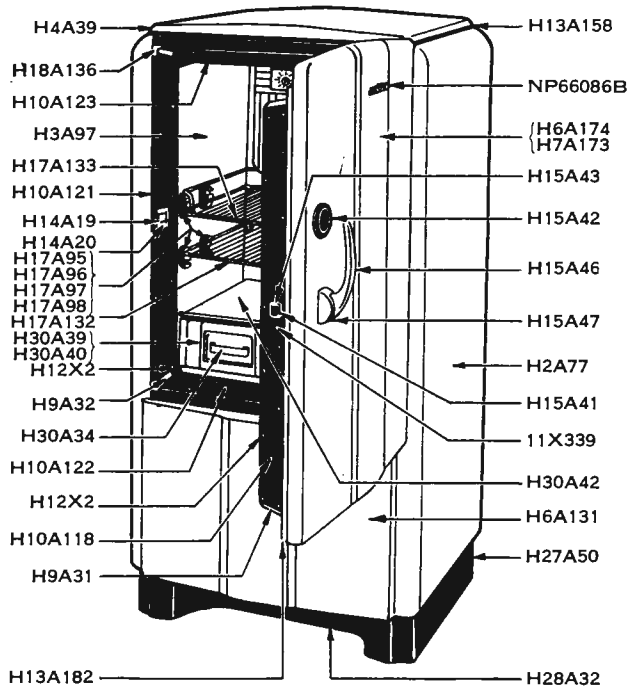
- A1R90† Accessories
- H2A67 Outer Case (Right-Hand Cabinet)
- H2A68 Outer Case (Left-Hand Cabinet)
- H3A81 Inner Liner with Shelf Supports
- H4A39 Cabinet Cover
- H5A101 Insulation for Refrigerating Machine Compartment Side
- H5A155 Insulation between Inner Liner Cover and Top Cover
- H5A163 Cabinet Insulation (Set)
- H6A131 Refrigerating Machine Compartment Door
- H6A132 Door Complete (Right-Hand Cabinet)
- H6A133 Door Complete (Left-Hand Cabinet)
- H7A18 Inner Door Panel
- H7A143 Outer Door Panel (Right-Hand Cabinet)
- H7A144 Outer Door Panel (Left-Hand Cabinet)
- H9A10 Door Corner
- H9A27 Door Jamb Corner
- H10A27 Door Strip (Horizontal)
- H10A28 Door Strip (Vertical, Hinge Side)
- H10A30 Door Strip (Horizontal)
- H10A78 Door Jamb Strip (Vertical, Hinge Side, Right-Hand Cabinet)
- H10A79 Door Jamb Strip (Vertical, Hinge Side, Left-Hand Cabinet)
- H10A103 Door Strip (Vertical, Latch Side, with Escutcheon for Latch Bolt)
- H10A104 Door Jamb Strip (Vertical, Latch Side)
- H11A11 Tapping Strip for Outer Case (Vertical)
- H11A12 Tapping Strip for Outer Case (Bottom)
- H11A13 Tapping Strip for Inner Liner (Vertical)
- H11A14 Tapping Strip for Inner Liner (Horizontal)
- H11A16 Tapping Strip for Outer Door Panel (Vertical, Hinge Side)
- H11A17 Tapping Strip for Outer Door Panel (Horizontal)
- H11A18 Tapping Strip for Inner Door Panel (Vertical, Side)
- H11A19 Tapping Strip for Inner Door Panel (Horizontal)
- H11A20 Tapping Strip for Outer Case and Hinge
- H11A47 Tapping Strip for Door and Hinge
- H11A49 Tapping Strip for Screw Fastening Inner Liner Cover to Inner Liner
- H11A59 Tapping Strip for Outer Case and Condenser
- H11A107 Tapping Strip for Outer Case (Top)
- H11A124 Tapping Strip for Outer Door Panel (Vertical, Latch Side)
- H12A2 Screw Fastening Straight or Headed Shelf Support to Inner Liner
- H12X2 Screw for Door Strip, Door Jamb Strip or Inner Liner Cover
- H13A83 Gasket between H11A47 and Outer Door Panel
- H13A142 Rubber Bushing for Light Receptacle
- H13A148 Gasket between Latch Case and Outer Door Panel
- H13A149 Seal for Latch Handle

† Refer to Accessories Section for parts included.

- H13A152 Gasket for H20A161 Clip
- H13A158 Gasket for Cabinet Cover
- H13A164 Gasket between H11A59 and Back of Outer Case
- H13A165 Gasket between H20A162 and Outer Case
- H13A166 Gasket for Tube Seal (1 1/2" long)
- H13A167 Gasket for Tube Seal (2 3/4" long)
- H13A178 Rubber Door Gasket
- H13A179 Rubber Gasket for H18A134 and H18A135 Trim
- H14A19 Strike
- H14A20 Strike Case
- H15A41 Escutcheon for Door Strip and Latch Bolt
- H15A42 Scuff Plate for Latch Handle
- H15A43 Latch Case with Bolt, Spring, Gasket and Nut
- H15A44 Spring for Latch Case and Bolt
- H15A45 Nut Fastening Latch Case and Latch Handle to Outer Door Panel
- H15A46 Latch Handle without Escutcheon Plate
- H15A47 Escutcheon Plate for Latch Handle
- H16A35 Hinge with End Covers
- H16A36 Cover for Hinge
- H17A43 Shelf (Top, large)
- H17A89 Shelf Support (Straight) or Nut for 46X784 Screw
- H17A90 Shelf Support (Headed)
- H17A112 Shelf, Sliding (First or Second from Bottom)
- H17A113 Frame for H17A112 Sliding Shelf
- H17A118 Shelf (Top, small)
- H18A18 Washer for H20A15 or H20A173 Screws (5/8" O.D.)
- H18A22 Washer for 106775, 261646 or H20A173 Screws (7/8" O.D.)
- H18A43 Fiber Washer for H20A173 or 261646 Screws
- H18A54 Momentary Contact Switch (Short Leads)
- H18A92 Rivet Fastening H11A20 to Outer Case or H11A47 to Outer Door Panel
- H18A133 Door Jamb Corner Trim
- H18A134 Trim for Upper Right-Hand Corner of Outer Case (Front)
- H18A135 Trim for Upper Left-Hand Corner of Outer Case (Front)
- H19A5 Lamp Guard
- H19A6 Retaining Spring for Momentary Contact Switch
- H19A15 Light Receptacle with Porcelain Bushing (Short Leads)
- H19A18 Lockwasher for Momentary Contact Switch
- H19A21 Nut Fastening Momentary Contact Switch to Door Jamb Strip
- H20A4 Rivet Fastening Tapping Strip to Outer Case, Inner Liner or Outer Door Panel
- H20A6 Screw for Nameplate Clip
- H20A15 Cap Screw Fastening Front Cross Piece to Side of Base
- H20A47 Screw for Hinge
- H20A56 Gasket between Hinge and Outer Case or between Hinge and Outer Door Panel
- H20A60 Screw for H20A162 Clip
- H20A74 Fiber Washer for Screw Fastening Inner Liner Cover to Inner Liner
- H20A75 Rubber Washer for Screw Fastening Inner Liner Cover to Inner Liner
- H20A86 Screw for H20A161 Clip
- H20A110 Rubber Plug for Inner Liner Cover
- H20A117 Lockwasher for Latch Handle Nut
- H20A118 Rivet Fastening H11A59 to Back of Outer Case
- H20A161 Clip for Cabinet Cover (Front)
- H20A162 Clip for Cabinet Cover (Back)
- H20A165 Spring Catch for Refrigerating Machine Compartment Door (Left-Hand Side)
- H20A166 Spring Catch for Refrigerating Machine Compartment Door (Right-Hand Side)
- H20A167 Ice Tray Lifter Hook
- H20A168 Washer for H18A134 or H18A135 Trim
- H20A173 Cap Screw Fastening Condenser or Back Cross Piece to Side of Base
- H20A181 Catch for Refrigerating Machine Compartment Door
- H20A182 Rubber Spacer for Refrigerating Machine Compartment Door
- H20A184 Rubber Pad for Base
- H20A230 Washer under Scuff Plate or Nameplate
- H20A235 Fiber Shim between Hinge and Cabinet
- H22A29 Insulation for Refrigerating Machine Compartment Door
- H27A34 Base
- H28A25 Skirt for Base
- 165736 Washer for 69X893 Screw or Steel Washer under Scuff Plate
- 177811 Nut for H20A173, 106775 or 261646 Screws
- 261646 Cap Screw Fastening Unit to Base
- 279364 Screw Fastening Base to Outer Case
- 11X339 Screw Fastening Latch Case to Door Strip or Screw for Strike
- 12X732 Lockwasher for 177811 Nut
- 30X562 Lockwasher for 46X784 Screw
- 46X784 Screw Fastening Skirt to Base
- 49X972 Porcelain Bushing for Light Receptacle
- 58X310 Lockwasher for 11X339 Strike Screw
- 58X325 Lockwasher for 58X326 Nut
- 58X326 Nut Fastening Scuff Plate to Outer Door Panel
- 58X337 Screw for H20A181 Catch
- 69X893 Screw Fastening Unit Condenser to Back of Outer Case
- 80X132 Washer for H20A60 Screw
- GE3014 Connector for Lead
- NP66086B Nameplate Clip

Always Give Catalog Number

# PB-5-38A—Cabinet Parts



- A1R108† Accessories
- H2A77 Outer Case (Right-Hand Cabinet)
- H2A78 Outer Case (Left-Hand Cabinet)
- H3A97 Inner Liner with Shelf Supports
- H4A39 Cabinet Cover
- H5A184 Insulation between Inner Liner Cover and Cabinet Cover
- H5A186 Cabinet Insulation (Set)
- H6A131 Refrigerating Machine Compartment Door
- H6A174 Door Complete (Right-Hand Cabinet)
- H6A175 Door Complete (Left-Hand Cabinet)
- H7A170 Inner Door Panel
- H7A173 Outer Door Panel (Right-Hand Cabinet)
- H7A174 Outer Door Panel (Left-Hand Cabinet)
- H9A31 Door Corner
- H9A32 Door Jamb Corner
- H10A117 Door Strip (Vertical, Hinge Side)
- H10A118 Door Strip (Vertical, Latch Side, with Escutcheon for Latch Bolt)
- H10A119 Door Strip (Horizontal)
- H10A120 Door Jamb Strip (Vertical, Hinge Side)
- H10A121 Door Jamb Strip (Vertical, Latch Side)
- H10A122 Door Jamb Strip (Bottom)
- H10A123 Door Jamb Strip (Top)
- H11A11 Tapping Strip for Outer Case (Vertical)
- H11A20 Tapping Strip for Outer Case and Hinge
- H11A47 Tapping Strip for Outer Door Panel and Hinge
- H11A49 Tapping Strip for Screw Fastening Inner Liner Cover to Inner Liner, or Spring to Refrigerating Machine Compartment Door
- H11A59 Tapping Strip for Outer Case and Condenser, or Back Clip for Cabinet Cover
- H11A124 Tapping Strip for Outer Door Panel (Vertical, Latch Side)
- H11A125 Tapping Strip for Inner Door Panel (Vertical)
- H11A127 Tapping Strip for Outer Case (Top)
- H11A128 Tapping Strip for Outer Case (Bottom)
- H11A129 Tapping Strip for Inner Door Panel (Horizontal)
- H11A130 Tapping Strip for Outer Door Panel (Vertical, Hinge Side)
- H11A131 Tapping Strip for Outer Door Panel (Horizontal)
- H11A132 Tapping Strip for Inner Liner (Vertical)
- H11A133 Tapping Strip for Inner Liner (Horizontal)
- H11A134 Tapping Strip for Inner Liner and Slotted Shelf Supports
- H12A2 Screw Fastening H17A89 or H17A90 Shelf Supports to Inner Liner
- H12X2 Screw for Door Strip, Door Jamb Strip, Light Switch, or Inner Liner Cover
- H13A83 Gasket between H11A47 Tapping Strip and Outer Door Panel
- H13A148 Gasket between Latch Case and Outer Door Panel
- H13A149 Seal for Latch Handle
- H13A158 Rubber Gasket for Cabinet Cover
- H13A164 Gasket for H11A59 Tapping Strip
- H13A166 Gasket for Tube Seal (1 1/4" long)
- H13A181 Fiber Gasket between Light Switch and Door Jamb Strip
- H13A182 Rubber Door Gasket
- H13A183 Gasket for H20A170 Clip
- H14A19 Strike
- H14A20 Strike Case
- H15A41 Escutcheon for Door Strip and Latch Bolt

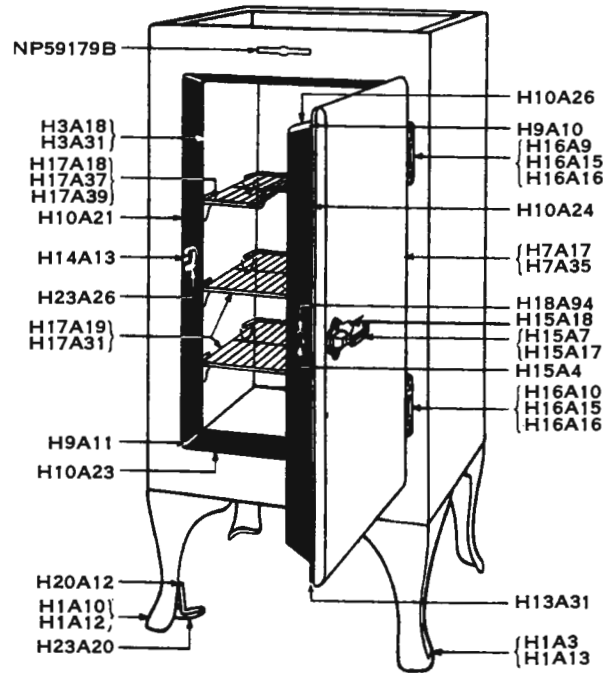
- H15A42 Scuff Plate and Clip for Latch Handle
- H15A43 Latch Case with Bolt, Spring, Gasket and Nut
- H15A44 Spring for Latch Case and Bolt
- H15A45 Nut Fastening Latch Case and Latch Handle to Outer Door Panel
- H15A46 Latch Handle without Escutcheon
- H15A47 Escutcheon for Latch Handle
- H16A35 Hinge with End Covers
- H16A36 Center Cover for Hinge
- H17A89 Shelf Support (Straight) or Nut for 46X784 Skirt Screw (1/2" long)
- H17A90 Shelf Support (Headed)
- H17A95 Shelf Support (Double Slot, 1/4" thick)
- H17A96 Shelf Support (Double Slot, 3/8" thick)
- H17A97 Shelf Support (Double Slot, 1/4" thick)
- H17A98 Shelf Support (Double Slot, 3/8" thick)
- H17A105 Stop for Shelf
- H17A111 Fiber Washer for Double Slot Shelf Support
- H17A132 Sliding Shelf with Stop (Lower)
- H17A133 Sliding Shelf with Stop (Upper)
- H17A134 Shelf (Top)
- H17A135 Removable Half Shelf (Bottom)
- H18A3 Washer for H17A90 Shelf Support (1/2" O.D.)
- H18A22 Washer for 153608 or 261646 Screw (3/8" O.D.)
- H18A43 Fiber Washer for 153608 Screw (3/8" O.D.)
- H18A92 Rivet for H11A20 or H11A47 Tapping Strips
- H18A136 Door Jamb Corner Trim
- H19A26 Lamp Guard
- H19A27 Bushing for Light Receptacle
- H20A4 Rivet for H11A11, H11A124, H11A127, H11A128, H11A130, H11A131, H11A132 or H11A133 Tapping Strips
- H20A6 Screw for Nameplate Clip
- H20A47 Screw for Hinge
- H20A49 Screw for H20A181 Catch
- H20A56 Gasket between Hinge and Outer Case, or between Hinge and Outer Door Panel
- H20A60 Screw Fastening H20A170 Clip, H20A239 Catch or Tube Seal to Cabinet or H20A282 Bracket
- H20A62 Screw Fastening H20A243 Spacer to Bottom of Condenser
- H20A74 Fiber Washer for H12X2 Screw Fastening Inner Liner Cover to Inner Liner (3/8" O.D.)
- H20A86 Screw for H20A161 Clip
- H20A110 Rubber Plug for Inner Liner Cover
- H20A117 Lock washer for Latch Handle Nut
- H20A118 Rivet for H11A59 Tapping Strip
- H20A159 Screw Fastening H17A95, H17A96, H17A97, or H17A98 Shelf Supports to Inner Liner
- H20A161 Clip for Cabinet Cover (Front)
- H20A170 Clip for Cabinet Cover (Back)
- H20A174 Screw Fastening Spring to Refrigerating Machine Compartment Door
- H20A181 Catch for Refrigerating Machine Compartment Door
- H20A235 Fiber Shim between Hinge and Outer Case
- H20A239 Catch for Refrigerating Machine Compartment Door Spring
- H20A240 Washer for H20A181 Catch (3/8" O.D.)
- H20A241 Spring for Refrigerating Machine Compartment Door
- H20A242 Rubber Button Spacer for Refrigerating Machine Compartment Door
- H20A243 Rubber Spacer for Bottom of Condenser
- H20A247 Support for Shelf and Drawer
- H20A248 Rubber Bumper for Shelf
- H20A249 Rubber Button for H20A247 Support
- H20A250 Washer between Front Panel and Pan for Vegetable Drawer (1" O.D.)
- H20A251 Rubber Washer between Scuff Plate Clip and Outer Door Panel (1/2" O.D.)
- H20A253 Rubber Spacer for Shelf Support
- H20A254 Rubber Pad between Base and Cabinet
- H20A255 Fiber Washer for 71X571 Screw (3/4" O.D.)
- H20A256† Bracket for Separator Release (Early production Cabinets)
- H20A282‡ Bracket for Separator Release (Late production Cabinets)
- H22A29 Insulation for Refrigerating Machine Compartment Door
- H27A50 Base
- H28A32 Skirt for Base
- H30A34 Handle for Vegetable Drawer
- H30A39 Vegetable Drawer
- H30A40 Front Panel for Vegetable Drawer
- H30A41 Pan for Vegetable Drawer
- H30A42 Cover for Vegetable Drawer
- 153608 Screw Fastening Condenser to Base
- 160980 Washer for 71X571 Screw (3/4" O.D.)
- 165736 Washer for 69X893 or H20A174 Screws (5/8" O.D.)
- 177811 Nut for 153608 or 261646 Screws
- 179789 Fiber Washer for 58X350 Screw (1/4" O.D.)
- 261646 Screw Fastening Unit to Base
- 11X339 Screw for H14A19 Strike, H14A20 Strike Case, or H15A43 Latch Case
- 46X784 Screw Fastening Skirt to Base
- 58X310 Lockwasher for 11X339 Strike Screw
- 58X324 Lockwasher for H20A159 Screw
- 58X325 Lockwasher for 58X326 Nut
- 58X350 Screw Fastening Front Panel of Vegetable Drawer
- 69X893 Screw Fastening Unit Condenser to Back of Outer Case, or H20A170 Clip to Cabinet
- 71X571 Screw Fastening Cabinet to Base
- 78X81 Light Receptacle
- 80X132 Washer for H20A62 Screw (1/2" O.D.)
- GE3014 Connector for Leads
- 1GA21H3 Momentary Contact Switch with 8" Leads
- NP66086B Nameplate Clip

† Refer to Accessories Section for parts included.

‡ H20A282 is fastened to the liner with a screw while H20A256 is clamped between liner and liner cover. These parts are not interchangeable.

Always Give Catalog Number

## X-5A, X-5C, X-5D and X-5G—Cabinet Parts



Name of Part	X-5A	X-5D	X-5C X-5G
†Accessories (X-5C)			A1R39
†Accessories (X-5A, D, and G)	A1R25	A1R36	A1R38
Leg without Bracket (11 $\frac{1}{4}$ "')	H1A3	H1A13	H1A13
Leg with Bracket (11 $\frac{1}{4}$ "')	H1A10	H1A12	H1A12
Leg with Bracket (5 $\frac{3}{4}$ "')	H1A11	H1A11	H1A11
Inner Liner	H3A18	*H3A31	*H3A31
Cabinet Insulation (Set)	§	H5A52	H5A52
Door Complete	H6A15	H6A29	H6A29
Inner Door Panel	H7A16	H7A16	H7A16
Outer Door Panel	H7A17	H7A35	H7A35
Door Corner	H9A10	H9A10	H9A10
Door Jamb Corner	H9A11	H9A11	H9A11
Door Jamb Strip (Latch Side)	H10A21	H10A21	H10A21
Door Jamb Strip (Hinge Side)	H10A22	H10A48	*H10A48
Door Jamb Strip (Horizontal)	H10A23	H10A23	H10A23
Door Strip with Escutcheon Plate (Latch Side)	H10A24	H10A24	H10A24
Door Strip (Hinge Side)	H10A25	H10A25	H10A25
Door Strip (Horizontal)	H10A26	H10A26	H10A26
Tapping Strip for Door (Outer, Vertical)	H11A5	H11A5	H11A5
Tapping Strip for Door (Outer, Horiz.)	H11A6	H11A6	H11A6
Tapping Strip for Door (Inner, Vertical)	H11A7	H11A7	H11A7
Tapping Strip for Door (Inner, Horiz.)	H11A8	H11A8	H11A8
Tapping Strip for Inner Liner (Horiz.)	H11A9	H11A9	H11A9
Tapping Strip for Inner Liner (Vertical)	H11A10	H11A10	H11A10
Hinge Pad	H11A47	H11A47	H11A47
Latch Pad	H11A48	H11A48	H11A48
Screw for Sealing Cup and Gasket	H12A4	H20A48	H20A48
Hardware Screw (except Strike)	H12A10		
Screw for Door or Door Jamb Strip		H12X2	H12X2
Rubber Door Gasket	H13A31	H13A31	H13A31
Gasket for Leg	H13A32	H13A27	H13A27
Gasket for Sealing Cup	H13A59	H13A59	H13A59
Gasket for 49X542 Receptacle	H13A60	H13A60	H13A60
Sponge Rubber Gasket for Inner Liner	H13A61	H13A61	H13A61
Strike	H14A13	H14A13	H14A13
Latch Bolt with Rivet	H15A4	H15A4	H15A4
Latch	H15A7	H15A17	H15A17
Escutcheon Plate for Latch		H15A18	H15A18
Latch Handle Spring	H15A49	H15A55	H15A55
Latch Handle Pin	H15A54	H15A56	H15A56
Hinge (Top)	H16A9		
Hinge (Bottom)	H16A10		
Hinge		H16A15	H16A15
Hinge Cover		H16A16	H16A16
Shelf (Top)	H17A18	H17A37	H17A39
Shelf (Middle or Bottom)	H17A19	H17A31	H17A31

\* X-5G Cabinet uses H10A49 Door Jamb Strip (Hinge Side)

† X-5G Cabinet uses H20A57 Door Spring

§ Use Kimsul. Cat. H5X20 covers 18' roll.

† Refer to Accessories Section for parts included.

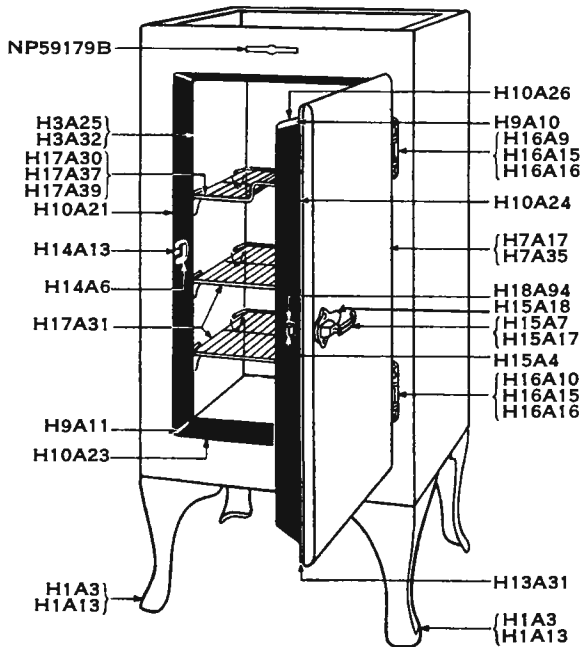
Note: A few of these cabinets were called HX-50.

Name of Part	X-5A	X-5D	X-5C X-5G
Special Top Shelf (for use with CK-1 Unit)	H17A50		
Washer for H20A15 Cap Screw	H18A18	H18A18	H18A18
Washer for Short Leg	H18A22	H18A22	H18A22
Momentary Contact Switch with Leads	H18A54	H18A54	H18A54
Escutcheon Plate for Door Strip (Latch Side)	H18A94	H18A94	H18A94
Lamp Guard	H19A4	H19A4	H19A4
Rivet for Tapping Strip	H20A4	H20A4	H20A4
Screw for Nameplate Clip	H20A6	H20A6	H20A6
Speed Nut for 49X563 or 49X564 Receptacle	H20A8	H20A8	H20A8
Retaining Washer for 49X542 Receptacle	H20A9	H20A9	H20A9
Lock Nut for 49X542 Receptacle	H20A10	H20A10	H20A10
Guard for Leg	H20A12	H20A12	H20A12
Cap Screw for Leg	H20A15	H20A15	H20A15
Door Spring	H20A21	H20A21	†H20A21
Screw for Hinge	H20A47	H20A47	H20A47
Screw for H20A21 Door Spring	H20A49	H20A49	†H20A49
Box Top Adapter for DR-1B Unit	H20A58	H20A58	H20A58
Light Adapter Bracket (for use with CK-1 Unit)	H20A73		
Foot Pedal with Hinge, Bolt, Nut and Washer	H23A20	H23A20	H23A20
Ball Joint Connector	H23A21	H23A21	H23A21
Lock Nut for H23A21 Connector	H23A22	H23A22	H23A22
Connecting Rod (Lower) for use with Long Leg	H23A23	H23A23	H23A23
Sealing Cup with Rod	H23A24	H23A24	H23A24
Strike Case with Plunger (Right-Hand Cabinet)	H23A26	H23A26	H23A26
Strike Case with Plunger (Left-Hand Cabinet)	H23A27	H23A27	H23A27
Foot Pedal Door Opener	H23A28	H23A28	H23A28
Connecting Rod (Upper)	H23A29	H23A29	H23A29
Connecting Rod (Lower) for use with Short Leg	H23A30	H23A30	H23A30
Leg without Bracket (5 $\frac{3}{4}$ "')	11X10	11X10	11X10
Screw for Door Strip, Door Jamb Strip or Strike	11X339		
Screw for Strike		11X339	11X339
Flush Cup Receptacle with Leads	49X542	49X542	49X542
Light Receptacle	49X789	49X789	49X789
Lockwasher for 89943 Nut	61X327	61X327	61X327
Nut for Foot Pedal Bolt	89943	89943	89943
Screw for Latch	144066	144066	144066
Clip for Nameplate	NP59179B	NP59179B	NP59179B

\* Superseded by Cat. H3A53 Inner Liner. Cat. H19A15 Light Receptacle and Cat. H13A142 Rubber Bushing must be used with H3A53.

Always Give Catalog Number

## X-5B, X-5E and X-5F—Cabinet Parts



Name of Part	X-5B	X-5E	X-5F	Name of Part	X-5B	X-5E	X-5F
†Accessories.....	A1R30	A1R37	A1R39	Rubber Door Gasket....	H13A31	H13A31	H13A31
Leg (11 $\frac{1}{8}$ "').....	H1A3	H1A13	H1A13	Gasket for Leg.....	H13A32	H13A27	H13A27
Inner Liner.....	H3A25	H3A32	H3A32	Sponge Rubber Gasket for Inner Liner.....	H13A61	H13A61	H13A61
Cabinet Insulation (Set) *		H5A53	H5A53	Strike Case.....	H14A6	H14A6	H14A6
Door Complete.....	H6A15	H6A29	H6A29	Strike.....	H14A13	H14A13	H14A13
Inner Door Panel.....	H7A16	H7A16	H7A16	Latch Bolt with Rivet...	H15A4	H15A4	H15A4
Outer Door Panel.....	H7A17	H7A35	H7A35	Latch.....	H15A7	H15A17	H15A17
Door Corner.....	H9A10	H9A10	H9A10	Escutcheon Plate for Latch.....		H15A18	H15A18
Door Jamb Corner.....	H9A11	H9A11	H9A11	Latch Handle Spring....	H15A49	H15A55	H15A55
Door Jamb Strip (Latch Side).....	H10A21	H10A21	H10A21	Latch Handle Pin.....	H15A54	H15A56	H15A56
Door Jamb Strip (Hori- zontal).....	H10A23	H10A23	H10A23	Hinge (Top).....	H16A9		
Door Strip with Escutcheon Plate (Latch Side).....	H10A24	H10A24	H10A24	Hinge (Bottom).....	H16A10		
Door Strip (Hinge Side).....	H10A25	H10A25	H10A25	Hinge.....		H16A15	H16A15
Door Strip (Horizontal).....	H10A26	H10A26	H10A26	Hinge Cover.....		H16A16	H16A16
Door Jamb Strip (Hinge Side).....	H10A42	H10A42	H10A42	Shelf (Top).....	H17A30	H17A37	H17A39
Tapping Strip for Door (Outer, Side).....	H11A5	H11A5	H11A5	Shelf (Middle or Bottom)	H17A31	H17A31	H17A31
Tapping Strip for Door (Outer, Horizontal).....	H11A6	H11A6	H11A6	Special Top Shelf (for use with CK-1 Unit)	H17A50		
Tapping Strip for Door (Inner, Side).....	H11A7	H11A7	H11A7	Washer for H20A15 Cap Screw.....	H18A18	H18A18	H18A18
Tapping Strip for Door (Inner, Horizontal).....	H11A8	H11A8	H11A8	Washer for Short Leg...	H18A22	H18A22	H18A22
Tapping Strip for Inner Liner (Horizontal).....	H11A9	H11A9	H11A9	Escutcheon Plate for Door Strip (Latch Side)...	H18A94	H18A94	H18A94
Tapping Strip for Inner Liner (Side).....	H11A10	H11A10	H11A10	Rivet for Tapping Strip..	H20A4	H20A4	H20A4
Tapping Strip for Door (with Latch Pad)....	H11A22			Screw for Nameplate Clip	H20A6	H20A6	H20A6
Hinge Pad.....		H11A47	H11A47	Cap Screw for Leg.....	H20A15	H20A15	H20A15
Latch Pad.....		H11A48	H11A48	Screw for Hinge.....	H20A47	H20A47	H20A47
Hardware Screw (except Strike).....	H12A10			Box Top Adapter (DR-1B Unit).....	H20A58	H20A58	H20A58
Screw for Door or Door Jamb Strip.....		H12X2	H12X2	Leg (5 $\frac{3}{4}$ "').....	11X10	11X10	11X10
				Screw for Door Strip, Door Jamb Strip or Strike.....	11X339		
				Screw for Strike.....		11X339	11X339
				Screw for Latch.....		144066	144066
				Clip for Nameplate.....	NP59179B	NP59179B	NP59179B

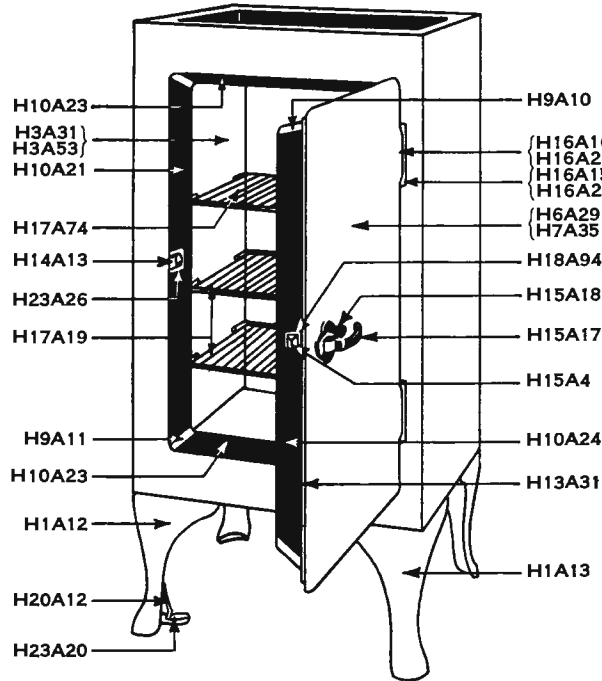
\* Use Kimsul. Cat. H5X20 covers 18' roll.

† Refer to Accessories Section for parts included.

Note: A few of these cabinets were called HX-50.

Always Give Catalog Number

# M-5A, M-5C—Cabinet Parts



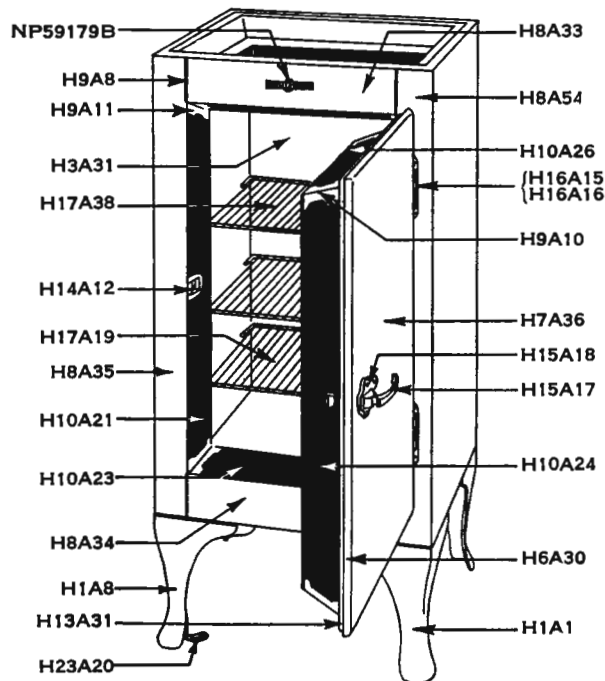
Name of Part	Cat. No.	
	M-5A	M-5C
†Accessories	A1R55	A1R55
Leg with Bracket (5 3/4")	H1A11	H1A11
Leg with Bracket (11 1/4")	H1A12	H1A12
Leg without Bracket (11 1/4")	H1A13	H1A13
Inner Liner	*H3A31	H3A53
Cabinet Insulation (Set)	H5A52	H5A52
Door Complete	H6A29	H6A29
Inner Door Panel	H7A16	H7A16
Outer Door Panel	H7A35	H7A35
Door Corner	H9A10	H9A10
Door Jamb Corner	H9A11	H9A11
Door Jamb Strip (Vertical, Latch Side)	H10A21	H10A21
Door Jamb Strip (Vertical, Hinge Side, Right-Hand Cabinet) for use with Spring in Hinge	H10A22	H10A22
Door Jamb Strip (Horizontal)	H10A23	H10A23
Door Strip with Escutcheon Plate (Vertical, Latch Side)	H10A24	H10A24
Door Strip (Vertical, Hinge Side)	H10A25	H10A25
Door Strip (Horizontal)	H10A26	H10A26
Door Jamb Strip (Vertical, Hinge Side) for use with Door Spring	H10A49	
Door Jamb Strip (Vertical, Hinge Side, Left-Hand Cabinet) for use with Spring in Hinge	H10A86	H10A86
Tapping Strip for Door (Outer, Vertical)	H11A5	H11A5
Tapping Strip for Door (Outer, Horizontal)	H11A6	H11A6
Tapping Strip for Door (Inner, Vertical)	H11A7	H11A7
Tapping Strip for Door (Inner, Horizontal)	H11A8	H11A8
Tapping Strip for Inner Liner (Horizontal)	H11A9	H11A9
Tapping Strip for Inner Liner (Vertical)	H11A10	H11A10
Tapping Strip for Outer Case and Hinge	H11A20	H11A20
Tapping Strip for Hinge and Door	H11A47	H11A47
Tapping Strip for Latch and Door	H11A48	H11A48
Tapping Strip for Outer Case (Vertical)	H11A70	H11A70
Tapping Strip for Outer Case (Horizontal)	H11A71	H11A71
Screw for Door Strip or Door Jamb Strip	H12X2	H12X2
Gasket for Leg	H13A27	H13A27
Rubber Door Gasket	H13A31	H13A31
Gasket for Sealing Cup	H13A59	H13A59
Gasket for 49X542 Receptacle	H13A60	H13A60
Rubber Bushing for Light Receptacle	H13A142	H13A142
Strike	H14A13	H14A13
Latch Bolt with Rivet	H15A4	H15A4
Latch	H15A17	H15A17
Escutcheon Plate for Latch	H15A18	H15A18
Latch Handle Spring	H15A55	H15A55
Latch Handle Pin	H15A56	H15A56
Hinge for use with Cover 3 3/4" long	H16A15	

Name of Part	Cat. No.	
	M-5A	M-5C
Cover for H16A15 Hinge	H16A16	H16A26
Hinge for use with Cover 3 3/4" long	H16A26	H16A27
Opening Spring Cartridge for Hinge	H16A27	H16A27
Retarding Spring Cartridge for Hinge	H16A28	H16A28
Cover for H16A26 Hinge	H16A29	H16A29
Shelf (Middle or Bottom)	H17A19	H17A19
Shelf (Top)	H17A74	H17A74
Washer for H20A15 Screw	H18A18	H18A18
Washer for H1A11 or 11X10 Legs	H18A22	H18A22
Momentary Contact Switch with Leads	H18A54	H18A54
Rivet for H11A20, H11A47, or H11A48 Tapping Strips	H18A92	H18A92
Escutcheon Plate for Latch Bolt	H18A94	H18A94
Lamp Guard	H19A4	H19A5
Spring for H18A54 Switch		H19A12
Light Receptacle with Retaining Ring and Short Leads		H19A15
Rivet for Tapping Strip	H20A4	H20A4
Speed Nut for Light Receptacle	H20A8	
Retaining Washer for 49X542 Receptacle	H20A9	H20A9
Lock Nut for 49X542 Receptacle	H20A10	H20A10
Guard for Leg	H20A12	H20A12
Cap Screw for Leg	H20A15	H20A15
Screw for Hinge	H20A47	H20A47
Screw for Sealing Cup and Gasket	H20A48	H20A48
Door Spring	H20A57	
Tray Lifter Hook	H20A98	H20A98
Foot Pedal with Hinge, Bolt, Nut and Washer	H23A20	H23A20
Ball Joint Connector	H23A21	H23A21
Lock Nut for H23A21 Connector	H23A22	H23A22
Connecting Rod (Lower) for use with Long Leg	H23A23	H23A23
Sealing Cup with Rod	H23A24	H23A24
Strike Case with Plunger (Right-Hand Cabinet)	H23A26	H23A26
Strike Case with Plunger (Left-Hand Cabinet)	H23A27	H23A27
Foot Pedal Door Opener	H23A28	H23A28
Connecting Rod (Upper)	H23A29	H23A29
Connecting Rod (Lower) for use with Short Leg	H23A30	H23A30
Nut for Foot Pedal Bolt	89943	89943
Screw for Latch	144066	144066
Leg without Foot Pedal Support (5 3/4")	11X10	11X10
Screw for Strike	11X339	11X339
Flush Cup Receptacle with Leads	49X542	49X542
Light Receptacle with Leads	49X789	
Retaining Ring for Light Receptacle	49X972	49X972
Lockwasher for Strike	58X310	58X310
Lockwasher for 89943 Nut	61X327	61X327
Connector for Lead	GE3014	GE3014

† Refer to Accessories Section for parts included.  
 \* Superseded by Cat. H3A53 Inner Liner. Cat. H19A15 Light Receptacle and Cat. H13A142 Rubber Bushing must be used with H3A53.

Always Give Catalog Number

## T-5C—Cabinet Parts



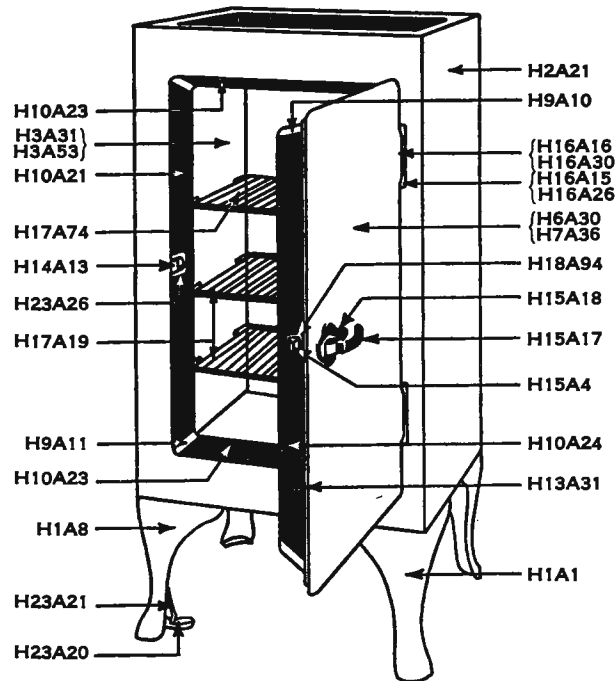
A1R38†	Accessories	H16A16	Hinge Cover
H1A1	Leg without Bracket (11 $\frac{1}{4}$ "	H17A19	Shelf (Center or Bottom)
H1A8	Leg with Bracket (11 $\frac{1}{4}$ "	H17A38	Shelf (Top)
H1A9	Leg with Bracket (5 $\frac{1}{4}$ "	H18A18	Washer for H12A9 Cap Screw
*H3A31	Inner Liner	H18A22	Washer for Short Leg
H5A54	Cabinet Insulation (Set)	H18A38	Washer for H20A49 Screw
H6A30	Door	H18A43	Fiber Washer between Leg and Pane
H7A16	Inner Door Panel	H18A54	Momentary Contact Switch with Leads
H7A36	Outer Door Panel	H18A92	Rivet for Hinge or Latch Pad
H8A33	Top Front Panel	H18A94	Escutcheon Plate for H10A24 Door Strip
H8A34	Bottom Front Panel	H19A4	Lamp Guard
H8A35	Latch Side Panel	H20A4	Rivet for Tapping Strip
H8A54	Hinge Side Panel	H20A6	Screw for Nameplate Clip
H9A8	Metal Trim	H20A8	Speed Nut for 49X563 or 49X564 Receptacle
H9A10	Door Corner	H20A9	Retaining Washer for 49X542 Receptacle
H9A11	Door Jamb Corner	H20A10	Lock Nut for 49X542 Receptacle
H10A21	Door Jamb Strip (Latch Side)	H20A40	Shim between Side Panel and Outer Case
H10A23	Door Jamb Strip (Horizontal)	H20A47	Screw for Hinge
H10A24	Door Strip (Latch Side) with Escutcheon Plate	H20A48	Screw for Sealing Cup and Gasket
H10A25	Door Strip (Hinge Side)	H20A49	Screw for Side Panel
H10A26	Door Strip (Horizontal)	H20A50	Pad between Hinge and Cabinet
H10A49	Door Jamb Strip (Hinge Side)	H20A51	Pad between Side Panel and Outer Case
H11A5	Tapping Strip (Vertical) for Outer Door	H20A53	Washer (0.134") between Hinge and Cabine
H11A6	Tapping Strip (Horizontal) for Outer Door	H20A54	Washer (0.010") between Hinge and Cabinet
H11A7	Tapping Strip (Vertical) for Inner Door	H20A55	Washer (0.020") between Hinge and Cabinet
H11A8	Tapping Strip (Horizontal) for Inner Door	H20A56	Pad between Hinge and Door
H11A9	Tapping Strip (Horizontal) for Inner Liner	H20A57	Door Spring
H11A10	Tapping Strip (Vertical) for Inner Liner	H23A20	Foot Pedal with Hinge, Bolt, Nut and Washer
H11A47	Hinge Pad	H23A21	Ball Joint Connector
H11A48	Latch Pad	H23A22	Lock Nut for H23A21 Connector
H12A9	Cap Screw for Leg	H23A23	Connecting Rod (Lower) for use with Long Leg
H12X2	Screw for Door Strip or Door Jamb Strip	H23A24	Sealing Cup with Rod
H13A31	Rubber Door Gasket	H23A26	Strike Case with Plunger (Right Hand)
H13A47	Sponge Rubber Gasket for Side Panel	H23A27	Strike Case with Plunger (Left Hand)
H13A48	Sponge Rubber Gasket for Front Panels	H23A28	Foot Pedal Door Opener
H13A59	Gasket for Sealing Cup	H23A29	Connecting Rod (Upper)
H13A60	Gasket for 49X542 Receptacle	H23A30	Connecting Rod (Lower) for use with Short Leg
H13A61	Sponge Rubber Gasket for Liner	1X452	Nut for Foot Pedal Bolt
H14A12	Strike	11X11	Leg with Bracket (5 $\frac{1}{4}$ "
H15A4	Latch Bolt with Rivet	49X542	Flush Cup Receptacle with Leads
H15A17	Latch	49X789	Light Receptacle
H15A18	Latch Cover	61X327	Lockwasher for 1X452 Nut
H15A55	Latch Handle Spring	144066	Screw for Latch
H15A56	Latch Handle Pin	NP59179B	Nameplate Clip

† Refer to Accessories Section for parts included.

\* Superseded by Cat. No. H3A53 Inner Liner. Cat. No. H19A15 Light Receptacle and Cat. No. H13A142 Rubber Bushing must be used with H3A53.

Always Give Catalog Number

## MP-5A, MP-5C—Cabinet Parts



Name of Part	Cat. No.	
	MP-5A	MP-5C
†Accessories.....	A1R63	A1R63
Leg without Bracket (11 $\frac{1}{8}$ "").....	H1A1	H1A1
Leg with Bracket (11 $\frac{1}{8}$ "").....	H1A8	H1A8
Leg with Bracket (5 $\frac{1}{4}$ "").....	H1A9	H1A9
Outer Case (Right-Hand Cabinet).....	H2A21	H2A21
Outer Case (Left-Hand Cabinet).....	H2A22	H2A22
Inner Liner with Tapping Strips.....	*H3A31	H3A53
Cabinet Insulation (Set).....	H5A120	H5A120
Door, Complete.....	H6A30	H6A30
Inner Door Panel.....	H7A16	H7A16
Outer Door Panel.....	H7A36	H7A36
Door Corner.....	H9A10	H9A10
Door Jamb Corner.....	H9A11	H9A11
Door Jamb Strip (Vertical, Latch Side).....	H10A21	H10A21
Door Jamb Strip (Vertical, Hinge Side, Right-Hand Cabinet) for use with Spring in Hinge.....	H10A22	H10A22
Door Jamb Strip (Horizontal).....	H10A23	H10A23
Door Strip with Escutcheon Plate (Vertical, Latch Side).....	H10A24	H10A24
Door Strip (Vertical, Hinge Side).....	H10A25	H10A25
Door Strip (Horizontal).....	H10A26	H10A26
Door Jamb Strip (Vertical, Hinge Side) for use with Door Spring.....	H10A49	
Door Jamb Strip (Vertical, Hinge Side, Left-Hand Cabinet) for use with Spring in Hinge.....	H10A86	H10A86
Tapping Strip for Door (Outer, Vertical).....	H11A5	H11A5
Tapping Strip for Door (Outer, Horizontal).....	H11A6	H11A6
Tapping Strip for Door (Inner, Vertical).....	H11A7	H11A7
Tapping Strip for Door (Inner, Horizontal).....	H11A8	H11A8
Tapping Strip for Inner Liner (Horizontal).....	H11A9	H11A9
Tapping Strip for Inner Liner (Vertical).....	H11A10	H11A10
Tapping Strip for Outer Case and Hinge.....	H11A20	H11A20
Tapping Strip for Hinge and Door.....	H11A47	H11A47
Tapping Strip for Latch and Door.....	H11A48	H11A48
Tapping Strip for Outer Case (Vertical).....	H11A70	H11A70
Tapping Strip for Outer Case (Horizontal).....	H11A71	H11A71
Cap Screw for Leg.....	H12A9	H12A9
Rubber Door Gasket.....	H13A31	H13A31
Gasket for Sealing Cup.....	H13A59	H13A59
Gasket for 49X542 Receptacle.....	H13A60	H13A60
Gasket between Hinge Tapping Strip and Outer Door Panel.....	H13A83	H13A83
Rubber Bushing for Light Receptacle.....	H13A142	H13A142
Strike.....	H14A13	H14A13
Latch Bolt with Rivet.....	H15A4	H15A4
Latch.....	H15A17	H15A17
Escutcheon Plate for Latch.....	H15A18	H15A18
Latch Handle Spring.....	H15A55	H15A55
Latch Handle Pin.....	H15A56	H15A56

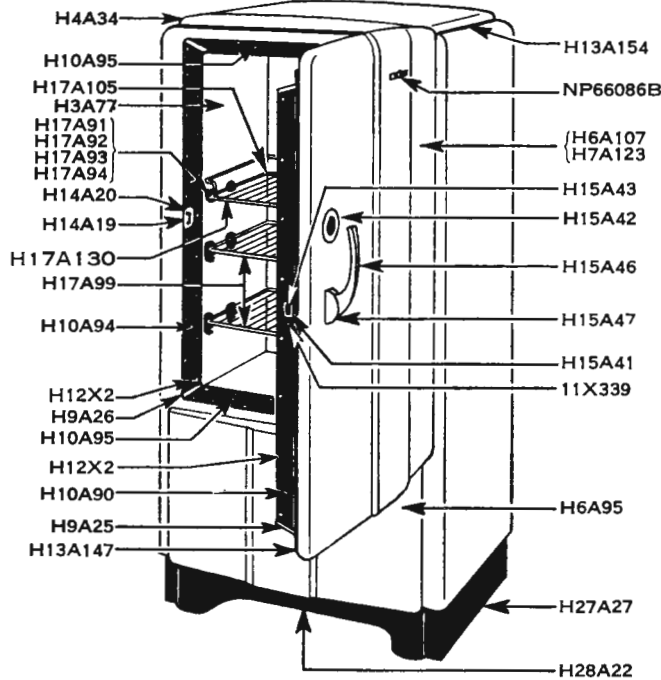
Name of Part	Cat. No.	
	MP-5A	MP-5C
Hinge for use with Cover 3 $\frac{1}{8}$ " long.....	H16A15	
Cover for H16A15 Hinge.....	H16A16	
Hinge for use with Cover 3 $\frac{1}{4}$ " long.....	H16A26	H16A26
Opening Spring Cartridge for Hinge.....	H16A27	H16A27
Retarding Spring Cartridge for Hinge.....	H16A28	H16A28
Cover for H16A26 Hinge.....	H16A30	H16A30
Shelf (Middle or Bottom).....	H17A19	H17A19
Shelf (Top).....	H17A74	H17A74
Washer for H12A9 Screw.....	H18A18	H18A18
Washer for Short Leg.....	H18A22	H18A22
Fiber Washer between Leg and Outer Case.....	H18A43	H18A43
Momentary Contact Switch with Leads.....	H18A54	H18A54
Rivet for H11A20, H11A47, or H11A48 Tapping Strips.....	H18A92	H18A92
Escutcheon Plate for Latch Bolt.....	H18A94	H18A94
Lamp Guard.....	H19A4	H19A5
Spring for H18A54 Switch.....		H19A12
Light Receptacle with Retaining Ring and Short Leads.....		H19A15
Rivet for Tapping Strips.....	H20A4	H20A4
Speed Nut for 49X563 Receptacle.....	H20A8	
Retaining Washer for 49X542 Receptacle.....	H20A9	H20A9
Lock Nut for 49X542 Receptacle.....	H20A10	H20A10
Screw for Hinge.....	H20A47	H20A47
Screw for Sealing Cup and Gasket.....	H20A48	H20A48
Shim between Hinge and Cabinet.....	H20A50	H20A50
Gasket between Hinge and Door.....	H20A56	H20A56
Door Spring.....	H20A57	
Tray Lifter Hook.....	H20A98	H20A98
Foot Pedal with Hinge, Bolt, Nut and Washer.....	H23A20	H23A20
Ball Joint Connector.....	H23A21	H23A21
Lock Nut for H23A21 Connector.....	H23A22	H23A22
Connecting Rod (Lower) for use with Long Leg.....	H23A23	H23A23
Sealing Cup with Rod.....	H23A24	H23A24
Strike Case with Plunger (Right-Hand Cabinet).....	H23A26	H23A26
Strike Case with Plunger (Left-Hand Cabinet).....	H23A27	H23A27
Foot Pedal Door Opener.....	H23A28	H23A28
Connecting Rod (Upper).....	H23A29	H23A29
Connecting Rod (Lower) for use with Short Leg.....	H23A30	H23A30
Nut for Foot Pedal Bolt.....	89943	89943
Screw for Latch.....	144066	144066
Leg without Bracket (5 $\frac{1}{4}$ "").....	11X11	11X11
Screw for Door Jamb Strip, Door Strip or Strike.....	11X339	11X339
Flush Cup Receptacle with Leads.....	49X542	49X542
Light Receptacle with Leads.....	49X789	
Retaining Ring for Light Receptacle.....		49X972
Lockwasher for Strike.....	58X310	58X310
Lockwasher for 89943 Nut.....	61X327	61X327
Connector for Leads.....	GE3014	GE3014

† Refer to Accessories Section for parts included.  
 \* Superseded by Cat. H3A53 Inner Liner. Cat. H19A15 Light Receptacle and Cat. H13A142 Rubber Bushing must be used with H3A53.

Always Give Catalog Number



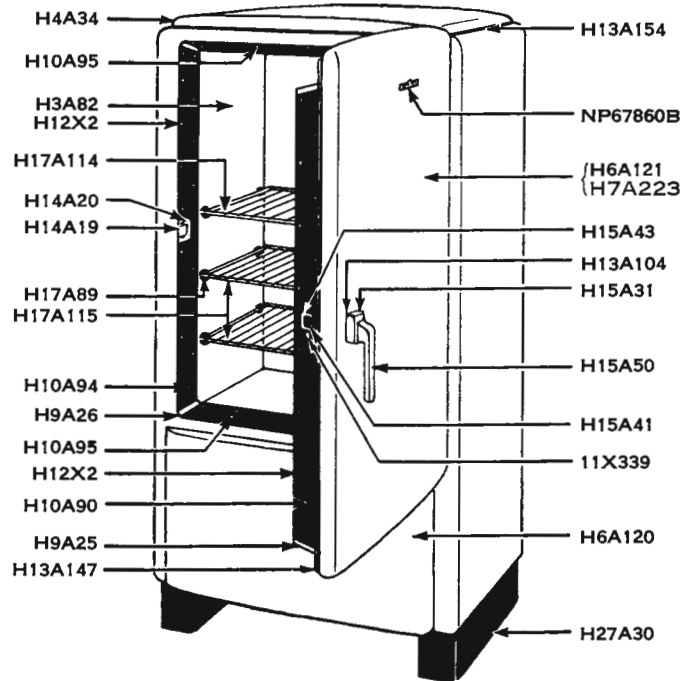
## B-6-37A—Cabinet Parts



A1R79†	Accessories	H17A98	Shelf Support (Double Slot, $\frac{3}{8}$ " thick)
H3A77	Inner Liner with Shelf Supports	H17A99	Shelf (First or Second from Bottom)
H4A34	Cabinet Cover	H17A101	Shelf (Top, small)
H5A147	Insulation between Inner Liner Cover and Top Cover	H17A105	Stop for Shelf
H5A153	Cabinet Insulation (Set)	H17A110	Fiber Washer for Single Slot Shelf Support
H6A95	Refrigerating Machine Compartment Door	H17A111	Fiber Washer for Double Slot Shelf Support
H6A107	Door Complete (Right-Hand Cabinet)	H17A130	Shelf (Top, large)
H6A108	Door Complete (Left-Hand Cabinet)	H18A3	Washer for H12A2 Screw
H7A106	Inner Door Panel	H18A18	Washer for 80X178, 106775 or 279364 Screws ( $\frac{1}{8}$ " O.D.)
H7A123	Outer Door Panel (Right-Hand Cabinet)	H18A22	Washer for 106775 or 261646 Screws ( $\frac{7}{16}$ " O.D.)
H7A124	Outer Door Panel (Left-Hand Cabinet)	H18A54	Momentary Contact Switch (Short Leads)
H9A25	Door Corner	H18A92	Rivet fastening H11A20 to Outer Case or H11A47 to Outer Door Panel
H9A26	Door Jamb Corner	H19A5	Lamp Guard
H10A89	Door Strip (Vertical, Hinge Side)	H19A6	Retaining Spring for Momentary Contact Switch
H10A90	Door Strip (Vertical, Latch Side, with Escutcheon for Latch Bolt)	H19A15	Light Receptacle with Porcelain Bushing (Short Leads)
H10A91	Door Strip (Horizontal)	H19A18	Lockwasher for Momentary Contact Switch
H10A92	Door Jamb Strip (Vertical, Hinge Side, Right-Hand Cabinet)	H19A21	Nut Fastening Momentary Contact Switch to Door Jamb Strip
H10A93	Door Jamb Strip (Vertical, Hinge Side, Left-Hand Cabinet)	H20A4	Rivet Fastening Tapping Strip to Outer Case, Inner Liner or Outer Door Panel
H10A94	Door Jamb Strip (Vertical, Latch Side)	H20A6	Screw for Nameplate Clip
H10A95	Door Jamb Strip (Horizontal)	H20A47	Screw for Hinge
H11A20	Tapping Strip for Outer Case and Hinge	H20A60	Screw for H20A162 Clip
H11A47	Tapping Strip for Door and Hinge	H20A74	Fiber Washer for Screw fastening Inner Liner Cover to Inner Liner
H11A49	Tapping Strip for Screw fastening Inner Liner Cover to Inner Liner	H20A75	Rubber Washer for Screw fastening Inner Liner Cover to Inner Liner
H11A59	Tapping Strip for Outer Case and Condenser	H20A86	Screw for H20A161 Clip
H11A78	Tapping Strip for Inner Liner (Horizontal)	H20A110	Rubber Plug for Inner Liner Cover
H11A79	Tapping Strip for Inner Liner (Vertical)	H20A117	Lockwasher for Latch Handle Nut
H11A80	Tapping Strip for Shelf Supports, without Screw	H20A118	Rivet Fastening H11A59 to Back of Outer Case
H11A81	Tapping Strip for Shelf Supports, with Screw for H17A90 Shelf Support	H20A155	Ice Tray Lifter Hook
H11A82	Tapping Strip for Outer Door Panel (Vertical, Hinge Side)	H20A159	Screw Fastening Slotted Shelf Support to Tapping Strip
H11A83	Tapping Strip for Outer Door Panel (Horizontal)	H20A161	Clip for Cabinet Cover (Front)
H11A84	Tapping Strip for Outer Door Panel (Vertical, Latch Side)	H20A162	Clip for Cabinet Cover (Back)
H11A85	Tapping Strip for Inner Door Panel (Vertical)	H20A165	Spring Catch for Refrigerating Machine Compartment Door (Left-Hand Side)
H11A86	Tapping Strip for Inner Door Panel (Horizontal)	H20A166	Spring Catch for Refrigerating Machine Compartment Door (Right-Hand Side)
H11A87	Tapping Strip for Outer Case (Bottom)	H20A181	Catch for Refrigerating Machine Compartment Door
H11A88	Tapping Strip for Outer Case (Vertical)	H20A182	Rubber Spacer for Refrigerating Machine Compartment Door
H11A105	Tapping Strip for Outer Case (Top)	H20A230	Washer under Scuff Plate or Nameplate
H12A2	Screw Fastening Straight or Headed Shelf Support to Inner Liner	H22A23	Insulation for Refrigerating Machine Compartment Side
H12X2	Screw for Door Strip, Door Jamb Strip or Inner Liner Cover	H22A25	Insulation for Refrigerating Machine Compartment Door
H13A142	Rubber Bushing for Light Receptacle	H27A27	Base
H13A147	Rubber Door Gasket	H28A22	Skirt for Base
H13A148	Gasket between Latch Case and Outer Door Panel	11X339	Screw fastening Latch Case to Door Strip or Screw for Strike
H13A149	Seal for Latch Handle	12X732	Lockwasher for 17781 Nut
H13A152	Gasket for H20A161 Clip	30X562	Lockwasher for 46X784 Screw
H13A154	Gasket for Cabinet Cover	46X784	Screw fastening Skirt to Base
H14A19	Strike	49X972	Porcelain Bushing for Light Receptacle
H14A20	Strike Case	58X310	Lockwasher for 11X339 Strike Screw
H15A41	Escutcheon for Door Strip and Latch Bolt	58X324	Lockwasher for H20A159 Screw
H15A42	Scuff Plate for Latch Handle	58X325	Lockwasher for 58X326 Nut
H15A43	Latch Case with Bolt, Spring, Gasket and Nut	58X326	Nut fastening Scuff Plate to Outer Door Panel
H15A44	Spring for Latch Case and Bolt	58X337	Screw for H20A181 Catch
H15A45	Nut Fastening Latch Case and Latch Handle to Outer Door Panel	69X893	Screw fastening Unit Condenser to Back of Outer Case
H15A46	Latch Handle without Escutcheon Plate	80X132	Washer for H20A60 Screw
H15A47	Escutcheon Plate for Latch Handle	80X178	Cap Screw Fastening Front Cross Piece to Side of Base
H16A35	Hinge with End Covers	106775	Cap Screw Fastening Condenser and Back Cross Piece to Side of Base
H16A36	Cover for Hinge	165736	Washer for 69X893 Screw or Steel Washer under Scuff Plate
H17A89	Shelf Support (Straight) or Nut for 46X784 Screw	17781	Nut for 106775, 261646 or 279364 Screws
H17A90	Shelf Support (Headed)	261646	Cap Screw Fastening Base to Outer Case or Unit to Base
H17A91	Shelf Support (Single Slot, $\frac{1}{4}$ " thick)	279364	Cap Screw Fastening Back Cross Piece to Side of Base
H17A92	Shelf Support (Single Slot, $\frac{3}{8}$ " thick)	GE3014	Connector for Leads
H17A93	Shelf Support (Single Slot, $\frac{1}{2}$ " thick)	NP66086B	Nameplate Clip
H17A94	Shelf Support (Single Slot, $\frac{3}{4}$ " thick)		
H17A95	Shelf Support (Double Slot, $\frac{1}{4}$ " thick)		
H17A96	Shelf Support (Double Slot, $\frac{3}{8}$ " thick)		
H17A97	Shelf Support (Double Slot, $\frac{1}{2}$ " thick)		

† Refer to Accessories Section for parts included.

## JB-6-37A—Cabinet Parts

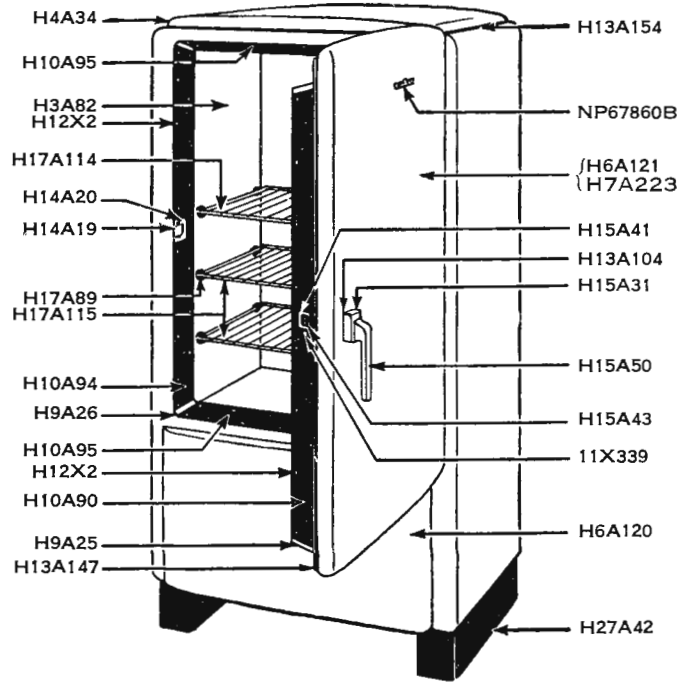


A1R82†	Accessories	H17A101	Shelf (Top, small)
H3A82	Inner Liner with Shelf Supports	H17A114	Shelf (Top, large)
H4A34	Cabinet Cover	H17A115	Shelf (Middle or Bottom)
H5A147	Insulation between Inner Liner Cover and Top Cover	H18A3	Washer for H12A2 Screw
H5A159	Cabinet Insulation (Set)	H18A18	Washer for 80X178, 106775 or 279364 Screws (5/8" O.D.)
H6A120	Refrigerating Machine Compartment Door	H18A22	Washer for 106775 or 261646 Screws (3/8" O.D.)
H6A121	Door Complete (Right-Hand Cabinet)	H18A54	Momentary Contact Switch (Short Leads)
H6A122	Door Complete (Left-Hand Cabinet)	H18A92	Rivet Fastening H11A20 to Outer Case or H11A47 to Outer Door Panel
H7A106	Inner Door Panel	H19A5	Lamp Guard
H7A223	Outer Door Panel (Right-Hand Cabinet)	H19A6	Retaining Spring for Momentary Contact Switch
H7A224	Outer Door Panel (Left-Hand Cabinet)	H19A15	Light Receptacle with Porcelain Bushing (Short Leads)
H9A25	Door Corner	H19A18	Lockwasher for Momentary Contact Switch
H9A26	Door Jamb Corner	H19A21	Nut Fastening Momentary Contact Switch to Door Jamb Strip
H10A89	Door Strip (Vertical, Hinge Side)	H20A4	Rivet Fastening Tapping Strip to Inner Liner, Outer Case or Outer Door Panel
H10A90	Door Strip (Vertical, Latch Side, with Escutcheon for Latch Bolt)	H20A6	Screw for Nameplate Clip
H10A91	Door Strip (Horizontal)	H20A47	Screw for Hinge
H10A92	Door Jamb Strip (Vertical, Hinge Side, Right-Hand Cabinet)	H20A60	Screw for H20A162 Clip
H10A93	Door Jamb Strip (Vertical, Hinge Side, Left-Hand Cabinet)	H20A74	Fiber Washer for Screw Fastening Inner Liner Cover to Inner Liner
H10A94	Door Jamb Strip (Vertical, Latch Side)	H20A75	Rubber Washer for Screw Fastening Inner Liner Cover to Inner Liner
H10A95	Door Jamb Strip (Horizontal)	H20A86	Screw for H20A161 Clip
H11A20	Tapping Strip for Outer Case and Hinge	H20A110	Rubber Plug for Inner Liner Cover
H11A47	Tapping Strip for Door and Hinge	H20A117	Lockwasher for Latch Handle Nut
H11A49	Tapping Strip for Screw Fastening Inner Liner Cover to Inner Liner	H20A118	Rivet Fastening H11A59 to Back of Outer Case
H11A59	Tapping Strip for Outer Case and Condenser	H20A161	Clip for Cabinet Cover (Front)
H11A78	Tapping Strip for Inner Liner (Horizontal)	H20A162	Clip for Cabinet Cover (Back)
H11A79	Tapping Strip for Inner Liner (Vertical)	H20A165	Spring Catch for Refrigerating Machine Compartment Door (Left-Hand Side)
H11A82	Tapping Strip for Outer Door Panel (Vertical, Hinge Side)	H20A166	Spring Catch for Refrigerating Machine Compartment Door (Right-Hand Side)
H11A83	Tapping Strip for Outer Door Panel (Horizontal)	H20A167	Ice Tray Lifter Hook
H11A84	Tapping Strip for Outer Door Panel (Vertical, Latch Side)	H20A181	Catch for Refrigerating Machine Compartment Door
H11A85	Tapping Strip for Inner Door Panel (Vertical)	H20A182	Rubber Spacer for Refrigerating Machine Compartment Door
H11A86	Tapping Strip for Inner Door Panel (Horizontal)	H22A25	Insulation for Refrigerating Machine Compartment Door
H11A87	Tapping Strip for Outer Case (Bottom)	H27A30	Base
H11A88	Tapping Strip for Outer Case (Vertical)	11X339	Screw Fastening Latch Case to Door Strip or Screw for Strike
H11A105	Tapping Strip for Outer Case (Top)	12X732	Lockwasher for 177811 Nut
H12A2	Screw Fastening Straight or Headed Shelf Support to Inner Liner	49X972	Porcelain Bushing for Light Receptacle
H12X2	Screw for Door Strip, Door Jamb Strip or Inner Liner Cover	58X310	Lockwasher for Strike Screw 11X339
H13A104	Seal for Latch Handle	58X337	Screw for H20A181 Catch
H13A142	Rubber Bushing for Light Receptacle	69X893	Screw Fastening Unit Condenser to Back of Outer Case
H13A147	Rubber Door Gasket	80X132	Washer for H20A60 Screw
H13A148	Gasket between Latch Case and Outer Door Panel	80X178	Cap Screw Fastening Front Cross Piece to Side of Base
H13A152	Gasket for H20A161 Clip	106775	Cap Screw Fastening Condenser and Back Cross Piece to Side of Base
H13A154	Gasket for Cabinet Cover	165736	Washer for 69X893 Screw
H14A19	Strike	177811	Nut for 106775, 261646 or 279364 Screws
H14A20	Strike Case	261646	Cap Screw Fastening Base to Outer Case or Unit to Base
H15A31	Escutcheon Plate for Latch Handle	279364	Cap Screw Fastening Back Cross Piece to Side of Base
H15A41	Escutcheon for Door Strip and Latch Bolt	GE3014	Connector for Leads
H15A43	Latch Case with Bolt, Spring, Gasket and Nut	NP67860B	Nameplate Clip
H15A44	Spring for Latch Case and Bolt		
H15A45	Nut Fastening Latch Case and Latch Handle to Outer Door Panel		
H15A50	Latch Handle without Escutcheon Plate		
H16A37	Hinge with End Covers		
H16A38	Cover for Hinge		
H17A89	Shelf Support (Straight)		
H17A90	Shelf Support (Headed)		

† Refer to Accessories Section for parts included.

Always Give Catalog Number

## RC-6-37A—Cabinet Parts

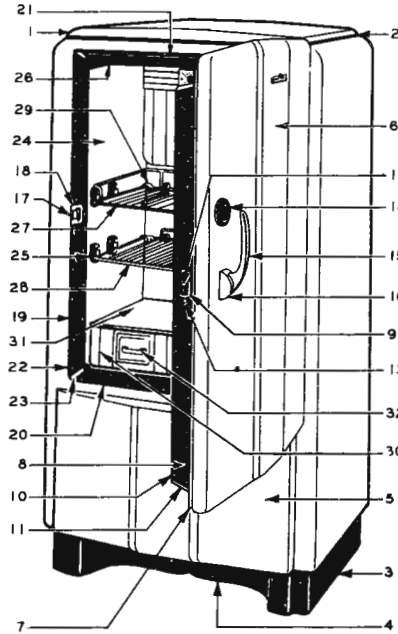


A1R82†	Accessories	H17A90	Shelf Support (Headed)
A20H15	Rubber Spacer with H20A62 Screw and 179789 Fiber Washer for H20A201 Clamp	H17A101	Shelf (Top, Small)
C20A81	Screw Fastening Inner Liner Cover to Evaporator	H17A114	Shelf (Top, Large)
C20A82	Washer for C20A81 Screw (1¼" O. D.)	H17A115	Shelf (Middle or Bottom)
C20A83	Steel Washer for C20A81 Screw (1½" O. D.)	H18A3	Washer between H17A90 Shelf Support and Inner Liner (¾" O. D.)
H3A82	Inner Liner with Shelf Supports	H18A18	Washer for 261646 Screw (5⁄8" O. D.)
H3A91	Inner Liner Cover	H18A22	Washer for 279364 Screw
H4A34	Cabinet Cover	H18A54	Momentary Contact Switch with Short Leads
H5A147	Insulation between Inner Liner Cover and Cabinet Cover	H18A92	Rivet Fastening H11A20 Tapping Strip to Outer Case, or H11A47 Tapping Strip to Door
H5A159	Cabinet Insulation (Set)	H19A5	Lamp Guard
H5A174	Insulation for Base	H19A6	Retaining Spring for Momentary Contact Switch
H6A120	Refrigerating Machine Compartment Door	H19A15	Light Receptacle with Porcelain Bushing (Short Leads)
H6A121	Door Complete (Right-Hand Cabinet)	H19A18	Lockwasher for Momentary Contact Switch
H6A122	Door Complete (Left-Hand Cabinet)	H19A21	Nut Fastening Momentary Contact Switch to Door Jamb Strip
H7A106	Inner Door Panel	H20A4	Rivet Fastening Tapping Strip to Outer Case, Inner Liner or Outer Door Panel
H7A223	Outer Door Panel (Right-Hand Cabinet)	H20A6	Screw for Nameplate Clip
H7A224	Outer Door Panel (Left-Hand Cabinet)	H20A47	Screw for Hinge
H9A25	Door Corner	H20A59	Cork Spacer Between Inner Liner Cover and Evaporator
H9A26	Door Jamb Corner	H20A60	Screw for Tube Seal, H20A162 Clip or Fastening H20A201 or H20A202 Clamps to Cabinet
H10A89	Door Strip (Vertical, Hinge Side)	H20A62	Screw Fastening Rubber Spacer to H20A201 Clamp
H10A90	Door Strip (Vertical, Latch Side, with Escutcheon for Latch Bolt)	H20A74	Fiber Washer for Screw Fastening Inner Liner Cover to Inner Liner
H10A91	Door Strip (Horizontal)	H20A75	Rubber Washer for Screw Fastening Inner Liner Cover to Inner Liner
H10A92	Door Jamb Strip (Vertical, Hinge Side, Right-Hand Cabinet)	H20A86	Screw for H20A161 Clip
H10A93	Door Jamb Strip (Vertical, Hinge Side, Left-Hand Cabinet)	H20A110	Rubber Plug for Inner Liner Cover
H10A94	Door Jamb Strip (Vertical, Latch Side)	H20A117	Lockwasher for Latch Handle Nut
H10A95	Door Jamb Strip (Horizontal)	H20A161	Clip for Cabinet Cover (Front)
H11A20	Tapping Strip for Outer Case and Hinge	H20A162	Clip for Cabinet Cover (Back)
H11A47	Tapping Strip for Door and Hinge	H20A165	Spring Catch for Refrigerating Machine Compartment Door (Left-Hand Side)
H11A49	Tapping Strip for Screw Fastening Inner Liner Cover to Inner Liner	H20A166	Spring Catch for Refrigerating Machine Compartment Door (Right-Hand Side)
H11A78	Tapping Strip for Inner Liner (Horizontal)	H20A167	Ice Tray Lifter Hook
H11A79	Tapping Strip for Inner Liner (Vertical)	H20A181	Catch for Refrigerating Machine Compartment Door
H11A82	Tapping Strip for Outer Door Panel (Vertical, Hinge Side)	H20A182	Rubber Spacer for Refrigerating Machine Compartment Door
H11A83	Tapping Strip for Outer Door Panel (Horizontal)	H20A201	Clamp for Tubes (Upper)
H11A84	Tapping Strip for Outer Door Panel (Vertical, Latch Side)	H20A202	Clamp for Tubes (Middle or Lower)
H11A85	Tapping Strip for Inner Door Panel (Vertical)	H22A25	Insulation for Refrigerating Machine Compartment Door
H11A86	Tapping Strip for Inner Door Panel (Horizontal)	H27A42	Base
H11A87	Tapping Strip for Outer Case (Bottom)	13919	Nut for C20A81 Screw
H11A88	Tapping Strip for Outer Case (Vertical)	145995	Screw Fastening Insulation to Base
H11A105	Tapping Strip for Outer Case (Top)	145996	Nut for 145995 Screw
H12A2	Screw Fastening Straight or Headed Shelf Support to Inner Liner	165736	Washer for 145995 Screw
H12X2	Screw for Door Strip, Door Jamb Strip or Inner Liner Cover	177811	Nut for 279364 Screw
H13A104	Seal for Latch Handle	179789	Fiber Washer for H20A62 Screw
H13A142	Rubber Bushing for Light Receptacle	261646	Screw Fastening Unit to Base
H13A147	Rubber Door Gasket	279364	Screw Fastening Back Cross Piece to Side of Base
H13A148	Gasket between Latch Case and Outer Door Panel	11X339	Screw for Latch Case or Strike
H13A152	Gasket for H20A161 Clip	49X972	Porcelain Bushing for Light Receptacle
H13A154	Gasket for Cabinet Cover	58X310	Lockwasher for 11X339 Strike Screw
H14A19	Strike	58X337	Screw Fastening H20A181 Catch to Cabinet
H14A20	Strike Case	61X328	Lockwasher for C20A81 Screw (1¼" O. D.)
H15A31	Escutcheon Plate for Latch Handle	GE3014	Connector
H15A41	Escutcheon for Door Strip and Latch Bolt	NP67860B	Nameplate Clip
H15A43	Latch Case with Bolt, Spring, Gasket and Nut		
H15A44	Spring for Latch Case and Bolt		
H15A45	Nut Fastening Latch Case and Latch Handle to Outer Door Panel		
H15A50	Latch Handle		
H16A37	Hinge with End Cover		
H16A38	Cover for Hinge		
H17A89	Shelf Support (Straight)		

† Refer to Accessories Section for parts included.

Always Give Catalog Number

# B6-38A—Cabinet Parts



REF. NO.	CAT. NO.	NAME OF PART
1.	H4A34	TOP COVER FOR CABINET
2.	H13A154	Gasket for Top Cover
	H20A161	Clip for Top Cover, Front
	H20A162	Clip for Top Cover, Back
	H20A86	Screw for H20A161 (10-30)
	H20A60	Screw for Cat. H20A162 or Refrigerant Line Sealing Plate (No. 8)
	69X893	Screw Fastening Condenser to Outer Case (No. 10)
	165736	Washer for Cat. 69X893
	H20A243	Rubber Spacer for Back of Condenser
	H20A62	Screw for Cat. H20A243 (No. 8)
	80X132	Washer for Cat. H20A62
3.	H27A46	BASE WITH SCREWS FOR CONDENSER
	153608	Cap Screw Fastening Condenser to Base (5/16 in.-18)
	177811	Nut for Cat. 153608
	H18A22	Washer for Cat. 153608 (7/8 in. O.D.)
	20X536	Cap Screw Fastening Outer Case to Base (1/4 in.-20)
	160980	Washer for Cat. 20X536
	261646	Cap Screw Fastening Refrigerating Machine to Base (5/16 in.-18)
	177811	Nut for Cat. 261646
	H18A22	Washer for Cat. 261646
4.	H28A29	Skirt for Base
	46X784	Screw Fastening Skirt to Base (1/4 in.-20)
	H17A89	Nut for Cat. 46X784
5.	H6A95	LOWER DOOR PANEL
	H20A241	Spring Clip for Cat. H6A95
	H20A174	Screw for Cat. H20A241 (10-30)
	165736	Washer for Cat. H20A174
	H20A242	Rubber Button Spacer for Cat. H6A95
	H20A181	Support for Cat. H6A95
	H20A49	Screw for Cat. H20A181 (No. 8)
	H20A240	Washer for Cat. H20A49
	H20A239	Catch for Spring Clip Cat. H20A241
	H20A60	Screw for Cat. H20A239 (No. 8)
6.	H6A107	DOOR FOR RIGHT-HAND CABINET
	H6A108	DOOR FOR LEFT-HAND CABINET
6.	H7A123	Outer Door Panel (Right-Hand Cabinet)
	H7A124	Outer Door Panel (Left-Hand Cabinet)
7.	H13A147	Door Gasket
	H10A89	Door Strip, Hinge Side
	H10A91	Door Strip, Top or Bottom
8.	H10A90	Door Strip, Latch Side, with Escutcheon for Latch Bolt
9.	H15A41	Escutcheon for Latch Bolt
10.	H12X2	Screw for Door Strip (10-30)
11.	H9A25	Door Corner
	H7A106	Inner Door Panel
12.	H15A43	Latch with Gasket, Nut, and Lockwasher
	H15A44	Spring for Latch
	H15A45	Nut for Latch and Handle
	H20A117	Lockwasher for Cat. H15A45
	H13A148	Gasket Between Latch and Outer Door Panel
13.	11X339	Screw Fastening Latch to Door Strip (10-30)
	H16A35	Hinge with End Covers
	H16A36	Middle Cover for Hinge
	H20A47	Screw for Hinge (12-28)
14.	H15A42	Scuff Plate and Clip for Latch Handle
	H20A251	Rubber Washer for Scuff Plate
	58X326	Nut for Cat. H15A42
	58X325	Lockwasher for Cat. 58X326
	NP66086B	Nameplate Clip

REF. NO.	CAT. NO.	NAME OF PART
	H20A6	Screw for Nameplate Clip (4-48)
15.	H15A46	Latch Handle without Escutcheon
16.	H15A47	Escutcheon for Latch Handle
	H13A149	Gasket Between Latch Handle and Outer Door Panel
17.	H14A19	Strike for Latch Bolt
18.	H14A20	Strike Case
	11X339	Screw for Strike (10-30)
	58X310	Lockwasher for Cat. 11X339
	1GA21H3	Door Switch with 8 in. Leads
	H13A181	Gasket for Cat. 1GA21H3
	H12X2	Screw for Cat. 1GA21H3 (10-30)
19.	H10A94	Door Jamb Strip, Latch Side
20.	H10A95	Door Jamb Strip, Bottom
21.	H10A115	Door Jamb Strip, Top
	H10A116	Door Jamb Strip, Hinge Side
22.	H12X2	Screw for Door Jamb Strip (10-30)
23.	H9A26	Door Jamb Corner
24.	H3A96	INNER LINER WITH SHELF SUPPORTS
	H17A89	Shelf Support, Straight, (1/2 in. long)
	H17A90	Shelf Support, Headed
	H20A253	Rubber Spacer for Cat. H17A90
	H18A3	Washer for Cat. H17A90
	H12A2	Screw for Cat. H17A89, H17A90 (1/4 in.-20)
25.	H17A96	Shelf Support, Double Slot (3/4 in. thick)
	H17A111	Fiber Washer for Cat. H17A96
	H20A159	Screw for Cat. H17A96 (10-30)
	58X324	Lockwasher for Cat. H20A159
	H20A110	Rubber Plug for Inner Liner Cover
	H12X2	Screw Fastening Inner Liner Cover to Inner Liner (10-30)
	H20A74	Washer (Fiber) for Cat. H12X2
26.	*H20A282	Bracket for Ice Tray Separator Release (Late Production Cabinets)
	*H20A252	Bracket for Ice Tray Separator Release (Early Production Cabinets)
	H20A60	Screw for Cat. H20A282 (No. 8)
	H17A129	Shelf, Small, Side of Evaporator
27.	H17A130	Sliding Shelf with Stops, Upper
28.	H17A99	Sliding Shelf with Stops, Lower
29.	H17A105	Stop for Shelf
	H17A131	Removable Shelf, Bottom
	H20A248	Bumper for Shelf
30.	H30A35	VEGETABLE DRAWER
	H30A37	Pan for Cat. H30A35
	H30A38	Front Panel for Cat. H30A35
	H30A34	Handle for Cat. H30A35
32.	H20A250	Washer Between Cat. H30A38 and H30A37
	58X350	Screw Fastening Front Panel to Vegetable Drawer (No. 10)
	179789	Washer for Cat. 58X350
31.	H30A36	Cover for Cat. H30A35
	H20A247	Support for Cat. H30A35 and H17A131
	H20A249	Rubber Button for Cat. H20A247
	78X81	Lamp Receptacle
	H19A27	Bushing for Lamp Receptacle
	H19A26	Lamp Guard
	GE3014	Connector for Wire
	H5A181	Cabinet Insulation (set)
	H22A25	Insulation for Lower Door Panel
	H22A23	Insulation for Refrigerating Machine Compartment Side
	H5A179	Insulation Between Inner Liner Cover and Top Cover
	**AIR104	Accessories

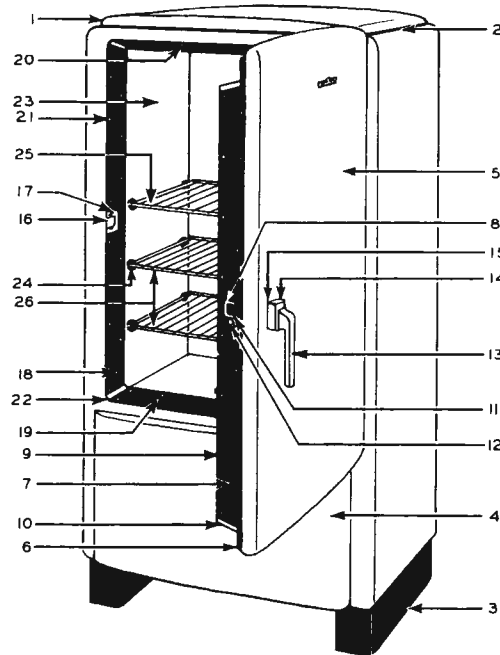
\*H20A282 is fastened to the liner with a screw while H20A252 is clamped between liner and liner cover. These parts are not interchangeable.

\*\*Refer to Accessories Section for Parts Included.

Use Kimsul, Cat. H5X20

Always Give Catalog Number

# JB6-37B, JB6-37C and JB6-38A—Cabinet Parts



REF. NO.	CATALOG NO.		NAME OF PART
	JB6-38A JB6-37C	JB6-37B	
1.	HWA34	HWA34	TOP COVER FOR CABINET
2.	H13A154	H13A154	Gasket for Top Cover
	H20A161	H20A161	Clip for Top Cover, Front
	H20A162	H20A162	Clip for Top Cover, Back
	H20A86	H20A86	Screw for Cat. H20A161 (10-30)
	H20A60	H20A60	Screw for H20A162 Clip, or Refrigerant Line Sealing Plate (No. 8)
	69X893	69X893	Screw Fastening Condenser to Outer Case (No. 10)
	165736	165736	Washer for 69X893 (5/8 in. O.D.)
	H20A243	H20A243	Rubber Spacer for Back of Condenser
	H20A62	H20A62	Screw Fastening Spacer to Condenser (No. 8)
	80X132	80X132	Washer for H20A62 (1/2 in. O.D.)
3.	H27A45	H27A45	BASE WITH SCREWS FOR CONDENSER
	153608	153608	Cap Screw Fastening Condenser to Base (5/16 in. -18)
	H18A22	H18A22	Washer for 153608 Screw
	177811	177811	Nut for 153608 Screw
	20X536	20X536	Cap Screw Fastening Outer Case to Base (1/4 in.-20)
	160980	160980	Washer for 20X536 Screw (3/4 in. O.D.)
	261646	261646	Cap Screw Fastening Unit to Base (5/16 in.-18)
	H18A22	H18A22	Washer for 261646 Screw (7/8 in. O.D.)
	177811	177811	Nut for 261646 Screw
4.	H6A120	H6A120	LOWER DOOR PANEL
	H20A241	H20A241	Spring Clip for H6A120
	H20A174	H20A174	Screw for H20A241 (10-30)
	165736	165736	Washer for H20A174 (5/8 in. O.D.)
	H20A242	H20A242	Rubber Button Spacer for H6A120
	H20A181	H20A181	Support for H6A120
	H20A49	H20A49	Screw for H20A181 (No. 8)
	H20A240	H20A240	Washer for H20A49 (7/8 in. O.D.)
	H20A239	H20A239	Catch for Spring Clip, Cat. H20A241
	H20A60	H20A60	Screw for H20A239 (No. 8)
5.	H6A121	H6A121	DOOR FOR RIGHT-HAND CABINET
	H6A122	H6A122	DOOR FOR LEFT-HAND CABINET
5.	H7A223	H7A223	Outer Door Panel, Right-Hand Cabinet
	H7A224	H7A224	Outer Door Panel, Left-Hand Cabinet
6.	H13A147	H13A147	Door Gasket
	H10A85	H10A85	Door Strip, Hinge Side
	H10A91	H10A91	Door Strip, Top or Bottom
7.	H10A90	H10A90	Door Strip, Latch Side, with Escutcheon for Latch
	H15A41	H15A41	Escutcheon for Door Strip and Latch Bolt
8.	H12X2	H12X2	Screw for Door Strip (10-30)
	H9A25	H9A25	Door Corner
10.	H7A106	H7A106	Inner Door Panel
	H15A43	H15A43	Latch, with Gasket, Nut, and Lockwasher
11.	H15A44	H15A44	Spring for Latch
	H15A45	H15A45	Nut for Latch and Handle
	H13A148	H13A148	Gasket Between Latch and Outer Door Panel
	H20A117	H20A117	Lockwasher for H15A45
12.	11X339	11X339	Screw Fastening Latch to Door Strip (10-30)
	H15A50	H15A50	Latch Handle without Escutcheon
14.	H15A31	H15A31	Escutcheon for Latch Handle
	H13A104	H13A104	Gasket Between Latch Handle and Door Panel

REF. NO.	CATALOG NO.		NAME OF PART
	JB6-38A JB6-37C	JB6-37B	
	H16A37	H16A37	Hinge with End Covers
	H16A38	H16A38	Center Cover for Hinge
	H20A47	H20A47	Screw for Hinge (12-28)
	NP67860B	NP67860B	Nameplate Clip
	H20A6	H20A6	Screw for Nameplate Clip (4-48)
16.	H14A19	H14A19	Strike
	H14A20	H14A20	Strike Case
17.	11X339	11X339	Screw for H14A19 (10-30)
	58X310	58X310	Lockwasher for 11X339
	1GA21H3	H18A54	Door Switch with Short Leads
	H13A181	-	Gasket for 1GA21H3
	H12X2	-	Screw for 1GA21H3 (10-30)
	-	H19A6	Retaining Spring for H18A54
	-	H19A18	Lockwasher for H18A54
	-	H19A21	Nut for H18A54
18.	H10A94	H10A94	Door Jamb Strip, Latch Side
	H10A95	H10A95	Door Jamb Strip, Bottom
20.	H10A11C	H10A95	Door Jamb Strip, Top
	H10A116	H10A92	Door Jamb Strip, Hinge Side (Right-Hand Cabinet)
	H10A116	H10A93	Door Jamb Strip, Hinge Side (Left-Hand Cabinet)
21.	H12X2	H12X2	Screw for Door Jamb Strip (10-30)
	H9A26	H9A26	Door Jamb Corner
22.	H3A95	†H3A113	INNER LINER WITH SHELF SUPPORTS
	H17A89	H17A89	Shelf Support, Straight (1/2 in. long)
24.	H17A122	-	Shelf Support, Straight (3/4 in. long)
	H17A90	H17A90	Shelf Support, Headed
	H12A2	H12A2	Screw for Shelf Support (1/4 in.-20)
	H20A110	H20A110	Rubber Plug for Inner Liner Cover
	H12X2	H12X2	Screw Fastening Inner Liner Cover to Inner Liner (10-30)
	H20A74	H20A74	Washer for H12X2 (5/8 in. O.D.)
25.	H17A129	H17A129	Shelf, Small, Side of Evaporator
	H17A114	H17A114	Shelf, Top, Large
26.	H17A115	H17A115	Shelf, Middle or Bottom
	H20A244	-	Hook for Ice Tray Lifter (Early Production Cabinets) (JB-6-38A)
	H20A167	H20A167	Hook for Ice Tray Lifter (JB-6-37B and C)
	*H20A252	-	Bracket for Separator Release (Early Production Cabinets) (JB-6-38A)
	*H20A282	-	Bracket for Separator Release (Late Production Cabinets) (JB-6-38A)
	H20A60	-	Screw for H20A282 (No. 8)
	78X81	-	Lamp Receptacle
	-	H19A15	Lamp Receptacle with Porcelain Bushing, Short Leads
	-	49X972	Porcelain Bushing for Lamp Receptacle
	H19A27	H13A142	Rubber Bushing for Lamp Receptacle
	H19A26	H19A5	Lamp Guard
	GE3014	GE3014	Connector for Wires
	H5A178	H5A178	Cabinet Insulation (set)
	†H5A179	†H5A179	Insulation Between Inner Liner Cover & Top Cover
	H2A225	H2A225	Insulation for H6A120
	A1R102	-	**Accessories (JB-6-38A)
	A1R129	A1R129	**Accessories (JB-6-37C, JB-6-37B)

\*H20A282 is Fastened to the Liner with a Screw, While H20A252 is Clamped between Liner and Liner Cover. These Parts are not interchangeable.

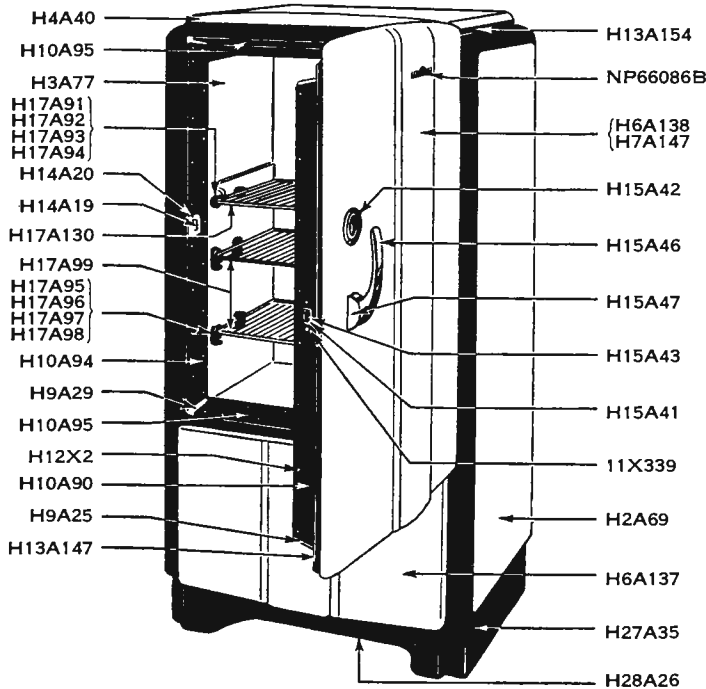
\*\*Refer to Accessories Section for Parts included.

†Superseded by Cat. H3A115 Inner Liner, Cat. H19A28 Lamp Receptacle and Cat. H20A60 Screw must be used with Cat. H3A115 Inner Liner.

‡Use Kimsul, Cat. H5X20.

Always Give Catalog Number

## PB-6-37A—Cabinet Parts

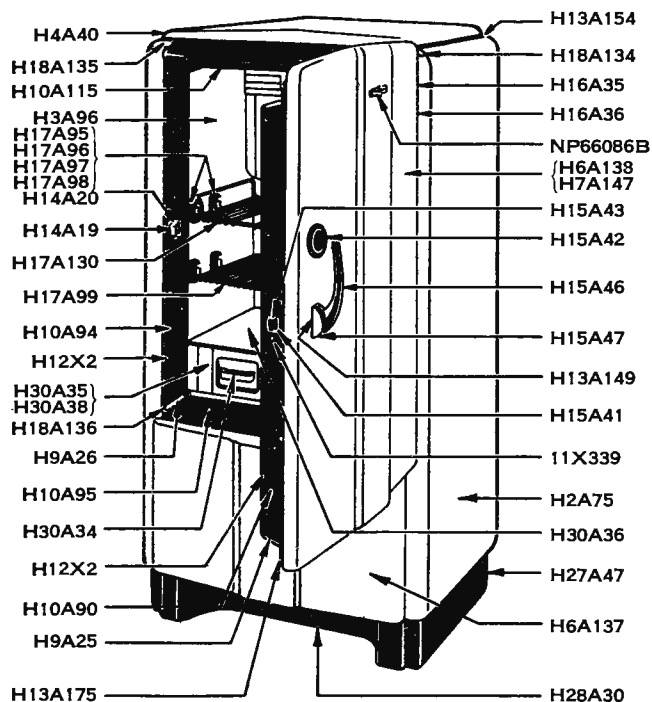


- |  |  |
|--|--|
| <p>A1R92† Accessories<br/>                 H2A69 Outer Case (Right-Hand Cabinet)<br/>                 H2A70 Outer Case (Left-Hand Cabinet)<br/>                 H3A77 Inner Liner with Shelf Supports<br/>                 H4A40 Cabinet Cover<br/>                 H5A147 Insulation between Inner Liner Cover and Top Cover<br/>                 H5A165 Cabinet Insulation (Set)<br/>                 H6A137 Refrigerating Machine Compartment Door<br/>                 H6A138 Door Complete (Right-Hand Cabinet)<br/>                 H6A139 Door Complete (Left-Hand Cabinet)<br/>                 H7A106 Inner Door Panel<br/>                 H7A147 Outer Door Panel (Right-Hand Cabinet)<br/>                 H7A148 Outer Door Panel (Left-Hand Cabinet)<br/>                 H9A25 Door Corner<br/>                 H9A26 Door Jamb Corner<br/>                 H10A89 Door Strip (Vertical, Hinge Side)<br/>                 H10A90 Door Strip (Vertical, Latch Side, with Escutcheon for Latch Bolt)<br/>                 H10A91 Door Strip (Horizontal)<br/>                 H10A92 Door Jamb Strip (Vertical, Hinge Side, Right-Hand Cabinet)<br/>                 H10A93 Door Jamb Strip (Vertical, Hinge Side, Left-Hand Cabinet)<br/>                 H10A94 Door Jamb Strip (Vertical, Latch Side)<br/>                 H10A95 Door Jamb Strip (Horizontal)<br/>                 H11A20 Tapping Strip for Outer Case and Hinge<br/>                 H11A47 Tapping Strip for Door and Hinge<br/>                 H11A49 Tapping Strip for Screw Fastening Inner Liner Cover to Inner Liner<br/>                 H11A59 Tapping Strip for Outer Case and Condenser<br/>                 H11A78 Tapping Strip for Inner Liner (Horizontal)<br/>                 H11A79 Tapping Strip for Inner Liner (Vertical)<br/>                 H11A80 Tapping Strip for Shelf Support without Screw<br/>                 H11A81 Tapping Strip for Shelf Support with Screw for H17A90 Shelf Support<br/>                 H11A82 Tapping Strip for Outer Door Panel (Vertical, Hinge Side)<br/>                 H11A83 Tapping Strip for Outer Door Panel (Horizontal)<br/>                 H11A84 Tapping Strip for Outer Door Panel (Vertical, Latch Side)<br/>                 H11A85 Tapping Strip for Inner Door Panel (Vertical)<br/>                 H11A86 Tapping Strip for Inner Door Panel (Horizontal)<br/>                 H11A87 Tapping Strip for Outer Case (Bottom)<br/>                 H11A88 Tapping Strip for Outer Case (Horizontal)<br/>                 H11A105 Tapping Strip for Outer Case (Top)<br/>                 H12A2 Screw Fastening Straight or Headed Shelf Support to Inner Liner<br/>                 H12X2 Screw for Door Strip, Door Jamb Strip or Inner Liner Cover<br/>                 H13A83 Gasket between H11A47 and Outer Door Panel<br/>                 H13A142 Rubber Bushing for Light Receptacle<br/>                 H13A148 Gasket between Latch Case and Outer Door Panel<br/>                 H13A149 Seal for Latch Handle<br/>                 H13A152 Gasket for H20A161 Clip<br/>                 H13A154 Gasket for Cabinet Cover<br/>                 H13A164 Gasket between H11A59 and Back of Outer Case<br/>                 H13A165 Gasket between H20A162 and Outer Case<br/>                 H13A166 Gasket for Tube Seal (1 1/4" long)<br/>                 H13A167 Gasket for Tube Seal (2 1/4" long)<br/>                 H13A175 Rubber Door Gasket</p> | <p>H13A154 Rubber Gasket for H18A134 or H18A135 Trim<br/>                 H14A19 Strike<br/>                 H14A20 Strike Case<br/>                 H15A41 Escutcheon for Door Strip and Latch Bolt<br/>                 H15A42 Scuff Plate for Latch Handle<br/>                 H15A43 Latch Case with Bolt, Spring, Gasket and Nut<br/>                 H15A44 Spring for Latch Case and Bolt<br/>                 H15A45 Nut Fastening Latch Case and Latch Handle to Outer Door Panel<br/>                 H15A46 Latch Handle without Escutcheon Plate<br/>                 H15A47 Escutcheon Plate for Latch Handle<br/>                 H16A35 Hinge with End Covers<br/>                 H16A36 Cover for Hinge<br/>                 H17A89 Nut for 46X784 Screw or Shelf Support (Straight)<br/>                 H17A90 Shelf Support (Headed)<br/>                 H17A91 Shelf Support (Single Slot, 1/4" thick)<br/>                 H17A92 Shelf Support (Single Slot, 3/8" thick)<br/>                 H17A93 Shelf Support (Single Slot, 1/2" thick)<br/>                 H17A94 Shelf Support (Single Slot, 5/8" thick)<br/>                 H17A95 Shelf Support (Double Slot, 1/4" thick)<br/>                 H17A96 Shelf Support (Double Slot, 3/8" thick)<br/>                 H17A97 Shelf Support (Double Slot, 1/2" thick)<br/>                 H17A98 Shelf Support (Double Slot, 5/8" thick)<br/>                 H17A99 Shelf (First or Second from Bottom)<br/>                 H17A101 Shelf (Top, small)<br/>                 H17A105 Stop for Shelf<br/>                 H17A110 Fiber Washer for Single Slot Shelf Support<br/>                 H17A111 Fiber Washer for Double Slot Shelf Support<br/>                 H17A130 Shelf (Top, large)<br/>                 H18A3 Washer for H12A2 Screw<br/>                 H18A18 Washer for 80X178, 106775 or 279364 Screws (5/8" O.D.)<br/>                 H18A22 Washer for 106775 or 261646 Screws (3/8" O.D.)<br/>                 H18A43 Fiber Washer for 80X178, 106775, 279364 or 261646 Screws<br/>                 H18A54 Momentary Contact Switch, Short Leads<br/>                 H18A92 Rivet Fastening H11A47 to Outer Door Panel or H11A20 to Outer Case<br/>                 H18A133 Door Jamb Corner Trim<br/>                 H18A134 Trim for Upper Right-Hand Corner of Outer Case (Front)<br/>                 H18A135 Trim for Upper Left-Hand Corner of Outer Case (Front)<br/>                 H19A5 Lamp Guard<br/>                 H19A6 Retaining Spring for Momentary Contact Switch<br/>                 H19A15 Light Receptacle with Porcelain Bushing (Short Leads)<br/>                 H19A18 Lockwasher for Momentary Contact Switch<br/>                 H19A21 Nut Fastening Momentary Contact Switch to Door Jamb Strip<br/>                 H20A4 Rivet Fastening Tapping Strip to Outer Case, Inner Liner or Outer Door Panel<br/>                 H20A6 Screw for Nameplate Clip<br/>                 H20A47 Screw for Hinge<br/>                 H20A56 Gasket between Hinge and Outer Case or between Hinge and Outer Door Panel<br/>                 H20A60 Screw for H20A162 Clip<br/>                 H20A74 Fiber Washer for Screw Fastening Inner Liner Cover to Inner Liner<br/>                 H20A75 Rubber Washer for Screw Fastening Inner Liner Cover to Inner Liner<br/>                 H20A86 Screw for H20A161 Clip<br/>                 H20A110 Rubber Plug for Inner Liner Cover<br/>                 H20A117 Lockwasher for Latch Handle Nut<br/>                 H20A118 Rivet Fastening H11A59 to Back of Outer Case<br/>                 H20A155 Ice Tray Lifter Hook<br/>                 H20A159 Screw Fastening Slotted Shelf Support to Tapping Strip<br/>                 H20A161 Clip for Cabinet Cover (Front)<br/>                 H20A162 Clip for Cabinet Cover (Back)<br/>                 H20A165 Spring Catch for Refrigerating Machine Compartment Door (Left-Hand Side)<br/>                 H20A166 Spring Catch for Refrigerating Machine Compartment Door (Right-Hand Side)<br/>                 H20A168 Washer for H18A134 or H18A135 Trim<br/>                 H20A181 Catch for Refrigerating Machine Compartment Door<br/>                 H20A182 Rubber Spacer for Refrigerating Machine Compartment Door<br/>                 H20A230 Washer under Scuff Plate or Nameplate<br/>                 H20A235 Fiber Shim between Hinge and Cabinet<br/>                 H22A23 Insulation for Refrigerating Machine Compartment Side<br/>                 H22A25 Insulation for Refrigerating Machine Compartment Door Base<br/>                 H27A35 Skirt for Base<br/>                 H28A26 Cap Screw Fastening Condenser and Back Cross Piece to Side of Base<br/>                 165736 Steel Washer under Scuff Plate or for 69X893 Screw<br/>                 177811 Nut for 106775, 261646 or 279364 Screws<br/>                 261646 Cap Screw Fastening Base to Outer Case or Unit to Base<br/>                 279364 Cap Screw Fastening Back Cross Piece to Side of Base<br/>                 11X339 Screw Fastening Latch Case to Door Strip or Screw for Strike<br/>                 12X732 Lockwasher for 177811 Nut<br/>                 30X562 Lockwasher for 46X784 Screw<br/>                 46X784 Screw Fastening Skirt to Base<br/>                 49X972 Porcelain Bushing for Light Receptacle<br/>                 58X310 Lockwasher for 11X339 Strike Screw<br/>                 58X324 Lockwasher for H20A159 Screw<br/>                 58X325 Lockwasher for 58X326 Nut<br/>                 58X326 Nut Fastening Scuff Plate to Outer Door Panel<br/>                 58X337 Screw for H20A181 Catch<br/>                 69X893 Screw Fastening Unit Condenser to Back of Outer Case<br/>                 80X132 Washer for H20A60 Screw<br/>                 80X178 Cap Screw Fastening Front Cross Piece to Side of Base<br/>                 GE3014 Connector for Leads<br/>                 NP66086B Nameplate Clip</p> |
|--|--|

† Refer to Accessories Section for parts included.

Always Give Catalog Number

## PB-6-38A—Cabinet Parts



- A1R105† Accessories
- H2A75 Outer Case (Right-Hand Cabinet)
- H2A76 Outer Case (Left-Hand Cabinet)
- H3A96 Inner Liner with Shelf Supports
- H4A40 Cabinet Cover
- \*H5A179 Insulation between Inner Liner Cover and Cabinet Cover
- H5A182 Cabinet Insulation (Set)
- H6A137 Refrigerating Machine Compartment Door
- H6A138 Door Complete (Right-Hand Cabinet)
- H6A139 Door Complete (Left-Hand Cabinet)
- H7A106 Inner Door Panel
- H7A147 Outer Door Panel (Right-Hand Cabinet)
- H7A148 Outer Door Panel (Left-Hand Cabinet)
- H9A25 Door Corner
- H9A26 Door Jamb Corner
- H10A89 Door Strip (Vertical, Hinge Side)
- H10A90 Door Strip (Vertical, Latch Side, with Escutcheon for Latch Bolt)
- H10A91 Door Strip
- H10A94 Door Jamb Strip (Vertical, Latch Side)
- H10A95 Door Jamb Strip (Bottom)
- H10A115 Door Jamb Strip (Top)
- H10A116 Door Jamb Strip (Vertical, Hinge Side)
- H11A20 Tapping Strip for Outer Case and Hinge
- H11A47 Tapping Strip for Outer Door Panel and Hinge
- H11A49 Tapping Strip for Screw Fastening Inner Liner Cover to Inner Liner, or Spring to Refrigerating Machine Compartment Door
- H11A59 Tapping Strip for Outer Case and Condenser
- H11A78 Tapping Strip for Inner Liner (Horizontal)
- H11A79 Tapping Strip for Inner Liner (Vertical)
- H11A82 Tapping Strip for Outer Door Panel (Vertical, Hinge Side)
- H11A83 Tapping Strip for Outer Door Panel (Horizontal)
- H11A84 Tapping Strip for Outer Door Panel (Vertical, Latch Side)
- H11A85 Tapping Strip for Inner Door Panel (Vertical)
- H11A86 Tapping Strip for Inner Door Panel (Horizontal)
- H11A87 Tapping Strip for Outer Case (Bottom)
- H11A88 Tapping Strip for Outer Case (Vertical)
- H11A105 Tapping Strip for Outer Case (Top)
- H11A126 Tapping Strip for Inner Liner and Slotted Shelf Support
- H12A2 Screw Fastening H17A89 or H17A90 Shelf Supports to Inner Liner
- H12X2 Screw for Door Strip, Door Jamb Strip, Light Switch, or Inner Liner Cover
- H13A83 Gasket Between Hinge Tapping Strip and Outer Door Panel
- H13A148 Gasket Between Latch Handle and Outer Door Panel
- H13A149 Seal for Latch Handle
- H13A154 Rubber Gasket for Cabinet Cover
- H13A164 Gasket for H11A59 Tapping Strip
- H13A165 Gasket for H20A162 Clip
- H13A166 Gasket for Tube Seal (1 1/4" long)
- H13A175 Rubber Door Gasket
- H13A179 Rubber Gasket for H18A134 or H18A135 Trim
- H13A181 Fiber Gasket Between Light Switch and Door Jamb Strip
- H14A19 Strike
- H14A20 Strike Case
- H15A41 Escutcheon for Door Strip and Latch Bolt

- H15A42 Scuff Plate and Clip for Latch Handle
- H15A43 Latch Case with Bolt, Spring, Gasket and Nut
- H15A44 Spring for Latch Case and Bolt
- H15A45 Nut Fastening Latch Case and Latch Handle to Outer Door Panel
- H15A46 Latch Handle without Escutcheon
- H15A47 Escutcheon for Latch Handle
- H16A35 Hinge with End Covers
- H16A36 Center Cover for Hinge
- H17A89 Shelf Support (Straight) or Nut for 46X784 Skirt Screw (1/2" long)
- H17A90 Shelf Support (Headed)
- H17A95 Shelf Support (Double Slot, 1/4" thick)
- H17A96 Shelf Support (Double Slot, 3/8" thick)
- H17A97 Shelf Support (Double Slot, 1/2" thick)
- H17A98 Shelf Support (Double Slot, 5/8" thick)
- H17A99 Sliding Shelf with Stop (Lower)
- H17A105 Stop for Shelf
- H17A111 Fiber Washer for Double Slot Shelf Support
- H17A129 Shelf (Top, Small)
- H17A130 Sliding Shelf with Stop (Upper)
- H17A131 Removable Shelf (Bottom)
- H18A3 Washer for H17A90 Shelf Support (1/2" O.D.)
- H18A22 Washer for 153608 or 261646 Screws (7/8" O.D.)
- H18A43 Fiber Washer for 153608 Screw
- H18A92 Rivet for H11A20 or H11A47 Tapping Strips
- H18A134 Trim for Upper Right-Hand Corner of Outer Case (Front)
- H18A135 Trim for Upper Left-Hand Corner of Outer Case (Front)
- H18A136 Door Jamb Corner Trim
- H19A26 Lamp Guard
- H19A27 Bushing for Light Receptacle
- H20A4 Rivet for H11A78, H11A79, H11A82, H11A83, H11A84, H11A87, H11A88 or H11A105 Tapping Strips
- H20A6 Screw for Nameplate Clip
- H20A47 Screw for Hinge
- H20A49 Screw
- H20A56 Gasket between Hinge and Door
- H20A60 Screw for H20A162 Clip, Tube Seal, H20A239 Catch, or H20A282 Bracket
- H20A62 Screw Fastening H20A243 Spacer to Bottom of Condenser
- H20A74 Fiber Washer for H12X2 Screw, Fastening Inner Liner Cover to Inner Liner (5/8" O.D.)
- H20A86 Screw for H20A161 Clip
- H20A110 Rubber Plug for Inner Liner Cover
- H20A117 Lockwasher for Latch Handle Nut
- H20A118 Rivet for H11A59 Tapping Strip
- H20A159 Screw Fastening H17A95, H17A96, H17A97, or H17A98 Shelf Supports to Inner Liner
- H20A161 Clip for Cabinet Cover (Front)
- H20A162 Clip for Cabinet Cover (Back)
- H20A168 Washer for H18A134 or H18A135 Trim (1/2" O.D.)
- H20A174 Screw Fastening Spring to Refrigerating Machine Compartment Door
- H20A181 Catch for Refrigerating Machine Compartment Door
- H20A235 Fiber Shim between Hinge and Cabinet
- H20A239 Catch for Refrigerating Machine Compartment Door Spring
- H20A240 Washer for H20A181 (1/2" O.D.)
- H20A241 Spring for Refrigerating Machine Compartment Door
- H20A242 Rubber Button Spacer for Refrigerating Machine Compartment Door
- H20A243 Rubber Spacer for Bottom of Condenser
- H20A247 Support for Shelf and Drawer
- H20A248 Rubber Bumper for Shelf
- H20A249 Rubber Button for H20A247 Support
- H20A250 Washer between Front Panel and Pan for Vegetable Drawer (1" O.D.)
- H20A251 Rubber Washer for Scuff Plate (1/2" O.D.)
- H20A252† Bracket for Separator Release (Early production Cabinets)
- H20A253 Rubber Spacer for Shelf Support
- H20A254 Rubber Pad between Base and Cabinet
- H20A255 Fiber Washer for 71X571 Screw (3/4" O.D.)
- H20A282† Bracket for Separator Release (Late production Cabinets)
- H22A25 Insulation for Refrigerating Machine Compartment Door
- H27A47 Base
- H28A30 Skirt for Base
- H30A34 Handle for Vegetable Drawer
- H30A35 Vegetable Drawer
- H30A36 Cover for Vegetable Drawer
- H30A37 Pan for Vegetable Drawer
- H30A38 Front Panel for Vegetable Drawer
- 153608 Screw Fastening Condenser to Base
- 160980 Washer for 71X571 Screw (3/4" O.D.)
- 165736 Washer for 69X893 or H20A174 Screws (5/8" O.D.)
- 177811 Nut for 153608 or 261646 Screws
- 179789 Fiber Washer for 58X350 Screw (1/2" O.D.)
- 261646 Screw Fastening Unit to Base
- 11X339 Screw for H14A19 Strike, H14A20 Strike Case, or H15A43 Latch Case
- 46X784 Screw Fastening Skirt to Base
- 58X310 Lockwasher for 11X339 Strike Screw
- 58X324 Lockwasher for H20A159 Screw
- 58X325 Lockwasher for 58X326 Scuff Plate Nut
- 58X326 Nut Fastening Scuff Plate to Outer Door Panel or H18A134 and H18A135 Trim to Outer Case
- 58X350 Screw Fastening Front Panel of Vegetable Drawer
- 69X893 Screw Fastening Unit Condenser to Back of Outer Case
- 71X571 Screw Fastening Cabinet to Base
- 78X81 Light Receptacle
- 80X132 Washer for H20A62 Screw (1/2" O.D.)
- 1GA21H3 Momentary Contact Switch with 8" Leads
- GE3014 Connector for Leads
- NP66086B Nameplate Clip

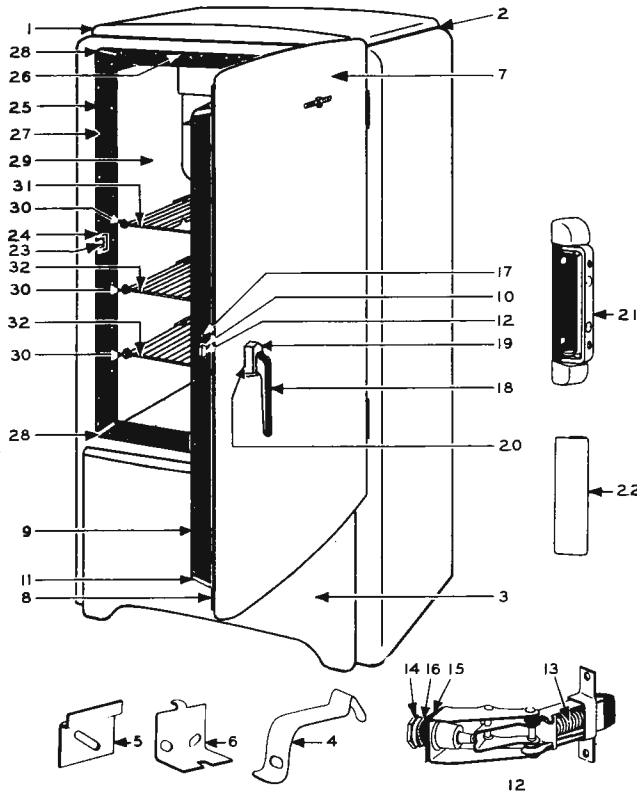
† Refer to Accessories Section for parts included.

‡ H20A282 is fastened to liner with a screw while H20A252 is clamped between liner and liner cover. These parts are not interchangeable.

\* Use Kimsul, Cat. H5X20.

Always Give Catalog Number

## LB6-39A - Cabinet Parts



REF. NO.	CAT. NO.	NAME OF PART
1.	H4A34	TOP COVER FOR CABINET
2.	H13A154	Gasket for Cat. H4A34
	H20A161	Clip for Top Cover, Front
	H20A162	Clip for Top Cover, Back
	H20A86	Screw for Cat. H20A161 (10-30)
	H20A60	Screw for Cat. H20A162 or Refrigerant Line Sealing Plate (No. 8)
	69X893	Screw Fastening Condenser to Outer Case (No. 10)
	H20A243	Rubber Spacer for Back of Condenser
	H20A62	Screw Fastening Spacer to Condenser (No. 8)
	20X132	Washer for Cat. H20A62
	H27A90	Front Angle with Front Gliders for Base
	H27A91	Back Angle for Base
	A2R13	Glider, Back
	106775	Cap Screw Fastening Rack Angle to Back Glider (5/16 in.-18)
	177811	Nut for Cat. 106775
	H18A1E	Washer for Cat. 106775
	6X737	Cap Screw Fastening Condenser to Base (5/16 in.-18)
	H18A22	Washer for Cat. 6X737
	20X536	Cap Screw Fastening Outer Case to Base (1/4 in.-20)

REF. NO.	CAT. NO.	NAME OF PART
	160980	Washer for Cat. 20X536
	261646	Cap Screw Fastening Refrigerating Machine to Base (5/16 in.-18)
	177811	Nut for Cat. 261646
	H18A22	Washer for Cat. 261646
3.	H7A222	LOWER DOOR PANEL
4.	H20A241	Spring Clip for Cat. H7A222
	H20A174	Screw for Cat. H20A241 (10-30)
	165736	Washer for Cat. H20A174
	H20A242	Rubber Button Spacer for Cat. H7A222
5.	H20A181	Support for Cat. H7A222
	H20A49	Screw for Cat. H20A181 (No. 8)
	H20A240	Washer for Cat. H20A49
6.	H20A239	Catch for Spring Clip Cat. H20A241
	H20A60	Screw for Cat. H20A239 (No. 8)
7.		DOOR FOR CABINET
7.	H7A223	Outer Door Panel (Right-Hand Cabinet)
	H7A224	Outer Door Panel (Left-Hand Cabinet)
8.	H13A147	Door Gasket
	H10A89	Door Strip, Hinge Side
	H10A91	Door Strip, Top or Bottom
9.	H10A90	Door Strip, Latch Side, with Escutcheon for Latch Bolt
10.	H15A41	Escutcheon for Latch Bolt
	H12X2	Screw for Door Strip (10-30)
11.	H9A25	Door Corner
	H7A106	Inner Door Panel
12.	H15A43	Latch with Gasket, Nut and Lockwasher
13.	H15A44	Spring for Latch
14.	H15A45	Nut for Latch and Handle
15.	H13A148	Gasket Between Latch and Outer Door Panel
16.	H20A117	Lockwasher for Cat. H15A45
17.	11X339	Screw Fastening Latch to Door Strip (10-30)
	H20A6	Screw for Nameplate Clip (4-48)
	NP67860B	Nameplate Clip
18.	H15A50	Latch Handle without Escutcheon
19.	H15A31	Escutcheon for Latch Handle
20.	H13A104	Gasket Between Latch Handle and Door Panel
21.	H16A37	Hinge with End Covers
22.	H16A38	Middle Cover for Hinge
	H20A47	Screw for Hinge (12-28)
23.	H14A19	Strike for Latch Bolt
24.	H14A20	Strike Case
	11X339	Screw for Strike (10-30)
	58X310	Lockwasher for Cat. 11X339
25.	H10A94	Door Jamb Strip, Latch Side
26.	H10A95	Door Jamb Strip, Top or Bottom
	H10A116	Door Jamb Strip, Hinge Side
27.	H12X2	Screw for Door Jamb Strip (10-30)
28.	H9A26	Door Jamb Corner
29.	H3A118	INNER LINER WITH SHELF SUPPORT
30.	H17A89	Shelf Support, Straight (1/2 in. long)
	H12A2	Screw for Shelf Support (1/4 in.-20)
	H20A110	Rubber Plug for Inner Liner Cover
	†H12X2	Screw Fastening Inner Liner Cover to Inner Liner (10-30)
	†H20A74	Washer (Fiber) for Cat. H12X2
	†H20A75	Washer (Rubber) for Cat. H12X2
31.	H17A114	Shelf, Large, Top
32.	H17A115	Shelf, Large, Middle or Bottom
	H20A244	Hook for Ice Tray Release
	H5X20	Cabinet Insulation (Kimsul, 18" roll)
	*AIR141	Accessories

\*Refer to Accessories Section for Parts included.

†Later Production Cabinets used Cat. 105113 Screw (10-32) with Cat. 200384 Nut.

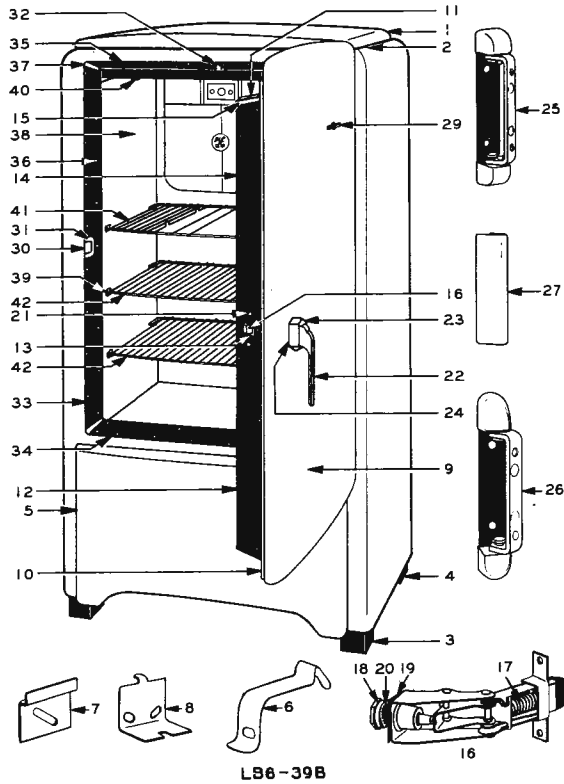
†Later Production Cabinets used Cat. 105136 Screw (10-32) with Cat. 200384 Nut and Cat. H20A380 Washer.

Always Give Catalog Number



# LBC6-39A, LB6-39B, LB6-39C - Cabinet Parts

FOR REFRIGERATING MACHINE PARTS REFER TO CF-2G UNIT (FOR LBC6-39A) AND TO CF-2H UNIT (FOR LB6-39B & C)  
FOR ACCESSORIES REFER TO ACCESSORIES SECTION



Ref. No.	Catalog Number		Name of Part
	LBC6-39A LB6-39B	LB6-39C	
1	H4A34	H4A34	TOP COVER FOR CABINET
2	H13A154	H13A154	Gasket for Cat. H4A34
	H20A161	H20A161	Clip for top cover, front
3	H20A162	H20A162	Clip for top cover, back
	H20A8E	H20A8E	Screw for Cat. H20A161 (10-30)
	91X648	91X648	Screw for Cat. H20A162 or refrigerant line sealing plate (No. 8)
	69X893	69X893	Screw fastening condenser to outer case (No. 10)
	H20A243	H20A243	Rubber spacer for back of condenser
4	H20A62	H20A62	Screw fastening spacer to condenser (No. 8)
	80X132	80X132	Washer for Cat. H20A62
	H27A90	H27A90	Front angle with front gliders for base
	H27A91	H27A91	Back angle for base
	A2R13	A2R13	Glider, back
5	267234	267234	Cap screw fastening back angle to back glider (5/16 in.-18)
	177811	177811	Nut for Cat. 267234
	H18A18	H18A18	Washer for Cat. 267234
	6X737	6X737	Cap screw fastening condenser to base (5/16 in.-18)
	H18A22	H18A22	Washer for Cat. 6X737
	20X536	20X536	Cap screw fastening outer case to base (1/4 in.-20)
	160980	160980	Washer for Cat. 20X536
	71X272	71X272	Screw fastening refrigerating machine to base (5/16 in.-18)
	177811	177811	Nut for Cat. 71X272
	91X648	H18A22	Washer for Cat. 71X272
6	H7A222	H7A222	LOWER DOOR PANEL
	H20A241	H20A241	Spring clip for Lower door panel
7	105113	105113	Screw for Cat. H20A241 (10-32)
	200384	200384	Nut for Cat. 105113
	165736	165736	Washer for Cat. 105113

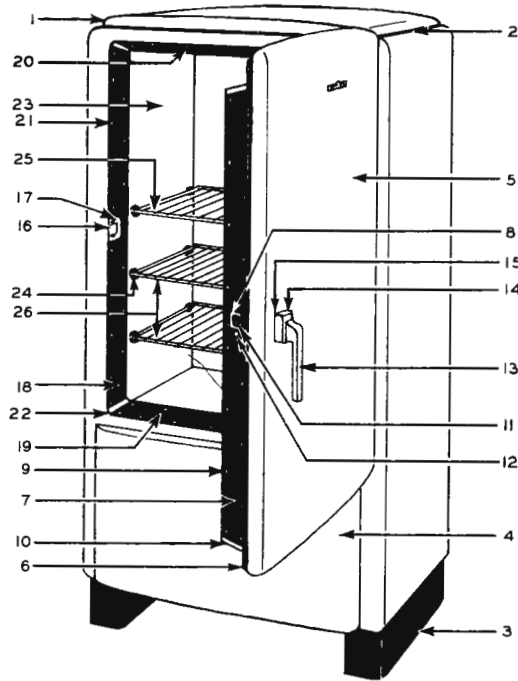
Ref. No.	Catalog Number		Name of Part
	LBC6-39A LB6-39B	LB6-39C	
7	H20A242	H20A242	Rubber button spacer for Lower door panel
	H20A181	H20A181	Support for lower door panel
8	H20A49	H20A49	Screw for Cat. H20A181 (No. 8)
	H20A240	H20A240	Washer for Cat. H20A49
	H20A239	H20A239	Catch for spring clip Cat. H20A241
	91X648	91X648	Screw for Cat. H20A239 (No. 8)
DOOR FOR CABINET			
9	H7A223	H7A223	Outer door panel (right-hand cabinet)
	H7A224	H7A224	Outer door panel (left-hand cabinet)
9	H7A322	-	Outer door panel (right-hand cabinet)
	H7A323	-	Outer door panel (left-hand cabinet)
10	H13A147	H13A147	Door gasket
	H10A89	H10A89	Door strip, hinge side
11	H10A91	H10A91	Door strip, top or bottom
12	H10A90	H10A90	Door strip, latch side, with escutcheon for latch bolt
	H15A41	H15A41	Escutcheon for latch bolt
14	H12X2	H12X2	Screw for door strip (10-30)
14	H20A381	-	Screw for door strip, stainless steel (No. 8)
	H9A25	H9A25	Door corner
15	H7A106	H7A106	Inner door panel
	H15A43	H15A43	Latch with gasket, nut, and lockwasher
17	H15A44	H15A44	Spring for latch
18	H15A45	H15A45	Nut for latch and handle
19	H13A148	H13A148	Gasket between latch and outer door panel
20	H20A117	H20A117	Lockwasher for Cat. H15A45
21	H1X339	H1X339	Screw fastening latch to door strip (10-30)
21	92X882	-	Screw fastening latch to door strip, stainless steel (No. 10)
22	H20A6	H20A6	Screw for nameplate clip (4-48)
	H15A50	H15A50	Latch handle without escutcheon
23	H15A31	H15A31	Escutcheon for latch handle
24	H13A104	H13A104	Gasket between latch handle and door panel
25	H16A37	H16A37	Hinge with end covers (Except LBC6-39A)
26	H16A39	-	Hinge with end covers (LBC6-39A)
27	H16A38	H16A38	Middle cover for hinge
27	H20A47	H20A47	Screw for hinge (12-28)
	H20A386	-	Screw fastening hinge to Cabinet (12-28) (LB6-39B)
29	NP67860A	NP67860A	Nameplate
29	NP67860B	NP67860B	Clip for nameplate
30	H14A22	H14A22	Strike for latch bolt (Except LBC6-39A)
30	H14A19	-	Strike for latch bolt (LBC6-39A)
31	H14A20	H14A20	Strike case
31	H1X339	H1X339	Screw for strike (10-30)
	92X882	-	Screw for strike, stainless steel (No. 10)
32	58X310	58X310	Lockwasher for Cat. H1X339 or 92X882
	1GA21H3	1GA21H3	Door switch with eight inch leads
32	H13A181	H13A181	Gasket for door switch
	H12X2	H12X2	Screw for door switch (10-30)
33	H10A94	H10A94	Door jamb strip, latch side
34	H10A95	H10A95	Door jamb strip, bottom
35	H10A115	H10A115	Door jamb strip, top
36	H10A116	H10A116	Door jamb strip, hinge side
	H12X2	H12X2	Screw for door jamb strip (10-30)
36	H20A381	-	Screw for door jamb strip, stainless steel (No. 8)
37	H9A26	H9A26	Door jamb corner
38	H3A124	H3A118	INNER LINER WITH SHELF SUPPORTS
39	H17A89	H17A89	Shelf support, straight (1/2 in. long)
	H12A2	H12A2	Screw for shelf support (1/4 in.-20)
39	H20A382	-	Bracket for lamp receptacle
	91X648	-	Screw for Cat. H20A382 (No. 8)
40	H20A110	H20A110	Rubber plug for inner liner cover
	105136	105136	Screw fastening inner liner cover to inner liner (10-32)
40	200384	200384	Nut for Cat. 105136
	H20A380	H20A380	Washer for Cat. 105136
40	H20A255	-	Fiber Washer for Cat. 105136
	-	H20A382	Bracket for lamp receptacle
41	-	H20A159	Screw for Cat. H20A382 (10-30)
	-	H11A49	Tapping strip for Cat. H20A159
42	-	H20A230	Rubber washer for Cat. H11A49
	-	H20A380	Washer for Cat. H11A49
42	-	H20A244	Hook for freezing tray lifter
	H20A262	-	Bracket for freezing tray lifter
41	91X648	-	Screw for Cat. H20A282 (No. 8)
41	H17A114	H17A114	Shelf, large, top
	H17A115	H17A115	Shelf, large, middle, or bottom
42	78X719	78X719	Lamp receptacle
	H20A406	H20A406	Connector with insulation for wires (Except LBC6-39A)
42	GE3014	-	Connector for wires (LBC6-39A)
42	H5X20	H5X20	Cabinet Insulation (Kimsul, 18' roll)

\*For use on later production LB6-39B Cabinets using prestole tapping strips and stainless steel screws.

Always Give Catalog Number

# RC6-38A - Cabinet Parts

FOR REFRIGERATING MACHINE PARTS REFER TO CD-3 UNIT  
FOR ACCESSORIES REFER TO ACCESSORIES SECTION



Ref. No.	Catalog Number	Name of Part
1	H4A34	TOP COVER FOR CABINET
2	H13A154	Gasket for Top Cover
	H20A161	Clip for Top Cover, Front
	H20A162	Clip for Top Cover, Back
	H20A86	Screw for H20A161 (10-30)
	H20A60	Screw for H20A162 (No. 8)
	H20A287	Plate for Refrigerant Line Seal
	H20A288	Gasket for Refrigerant Line Seal
	H20A60	Screw for H20A287 (No. 8)
	H20A201	Clamp for Tubes, Upper
	H20A202	Clamp for Tubes, Lower
	H20A60	Screw for H20A201 and H20A202 (No. 8)
	H20A20	Spacer for Clamp H20A201
	H20A62	Screw for H20A20 (No. 8)
	I79789	Fiber Washer for H20A62
3	H27A83	BASE
	20X536	Screw Fastening Cabinet to Base (1/4 in.-20)
	160980	Washer for 20X536 (3/4 in. O.D.)
	6X737	Screw Fastening Refrigerating Machine to Base (5/16 in.-18)
	H18A18	Steel Washer for 6X737 (5/8 in. O.D.)
4	H6A120	LOWER DOOR PANEL
	H20A241	Spring Clip for Lower Door Panel
	H20A174	Screw for H20A241 (10-30)
	165736	Washer for H20A174 (5/8 in. O.D.)
	H20A242	Rubber Button Spacer for Lower Door Panel
	H20A181	Support for Lower Door Panel
	H20A240	Washer for H20A181 (7/8 in. O.D.)
	H20A49	Screw for H20A181 (No. 8)
	H20A239	Catch for Spring Clip, Cat. H20A241
	H20A60	Screw for H20A239 (No. 8)
5	H6A121	DOOR FOR RIGHT-HAND CABINET
	H6A122	DOOR FOR LEFT-HAND CABINET
5	H7A223	Outer Door Panel (Right-Hand Cabinet)
	H7A224	Outer Door Panel (Left-Hand Cabinet)
6	H13A147	Door Gasket
	H10A89	Door Strip, Hinge Side
	H10A91	Door Strip, Top or Bottom
7	H10A90	Door Strip, Latch Side, with Escutcheon for Latch Bolt
8	H15A41	Escutcheon for Door Strip and Latch Bolt
9	H12X2	Screw for Door Strip (10-30)
10	H9A25	Door Corner
	H7A106	Inner Door Panel
11	H15A43	Latch, with Gasket, Nut and Lockwasher
	H15A44	Spring for Latch
	H15A45	Nut for Latch and Handle
	H13A148	Gasket Between Latch and Outer Door Panel
	H20A117	Lockwasher for H15A45
12	I1X339	Screw Fastening Latch to Door Strip (10-30)
	NP67860A	Nameplate
	NP67860B	Nameplate Clip
	H20A6	Screw for Nameplate Clip (4-48)

Ref. No.	Catalog Number	Name of Part
13	H15A50	Latch Handle without Escutcheon
14	H15A31	Escutcheon for Latch Handle
15	H13A104	Gasket Between Latch Handle and Door Panel
	H16A37	Hinge with End Covers
	H16A38	Middle Cover for Hinge
	H20A47	Screw for Hinge (12-28)
16	H14A19	Strike
17	H14A20	Strike Case
	I1X339	Screw for Strike (10-30)
	58X310	Lockwasher for I1X339
	10A21H3	Door Switch with 8 in. Leads
	H13A181	Fiber Gasket Between Door Switch and Door Jamb Strip
	H12X2	Screw for Door Switch (10-30)
	H10A116	Door Jamb Strip, Hinge Side
	H10A94	Door Jamb Strip, Latch Side
	H10A95	Door Jamb Strip, Bottom
	H10A115	Door Jamb Strip, Top
21	H12X2	Screw for Door Jamb Strip (10-30)
22	H9A26	Door Jamb Corner
23	H3A95	INNER LINER WITH SHELF SUPPORTS
24	H17A89	Shelf Support, Straight
	H17A90	Shelf Support, Headed
	H18A3	Washer for H17A90 (1/2 in. O.D.)
	H12A2	Screw for Shelf Support (1/4 in.-20)
	H3A88	Inner Liner Cover for CM-33 Unit
	H3A91	Inner Liner Cover for CD-3 Unit
	H20A110	Rubber Plug for Inner Liner Cover
	H12X2	Screw for Inner Liner Cover (10-30)
	H20A74	Washer for H12X2, Fiber (5/8 in. O.D.)
	H20A59	Cork Spacer Between Inner Liner Cover and Evaporator
	H20A337	Screw Fastening Evaporator to Inner Liner Cover (5/16 in.-18)
	H20A322	Steel Washer for H20A337 (1-1/8 in. O.D.)
	H20A323	Cork Washer for H20A337 (1 in. O.D.)
	I26869	Nut for H20A337
	61X328	Lockwasher for I26869
	H17A129	Shelf (Top, Small)
	H17A114	Shelf (Top, Large)
	H17A115	Shelf (Middle or Bottom)
	H20A167	Hook for Ice Tray Lifter
	78X81	Lamp Receptacle
	H19A27	Bushing for Lamp Receptacle
	H19A26	Lamp Guard
	GE3014	Connector for Leads
	H5A178	Cabinet Insulation (set)
	H22A25	Insulation for Lower Door Panel
	*H5A179	Insulation Between Inner Liner Cover and Top Cover
	H5A174	Insulation for Base
	I50167	Screw Fastening Insulation to Base (10-32)
	165736	Washer for I50167 (5/8 in. O.D.)
	I45996	Nut for I50167
	*A1R131	Accessories

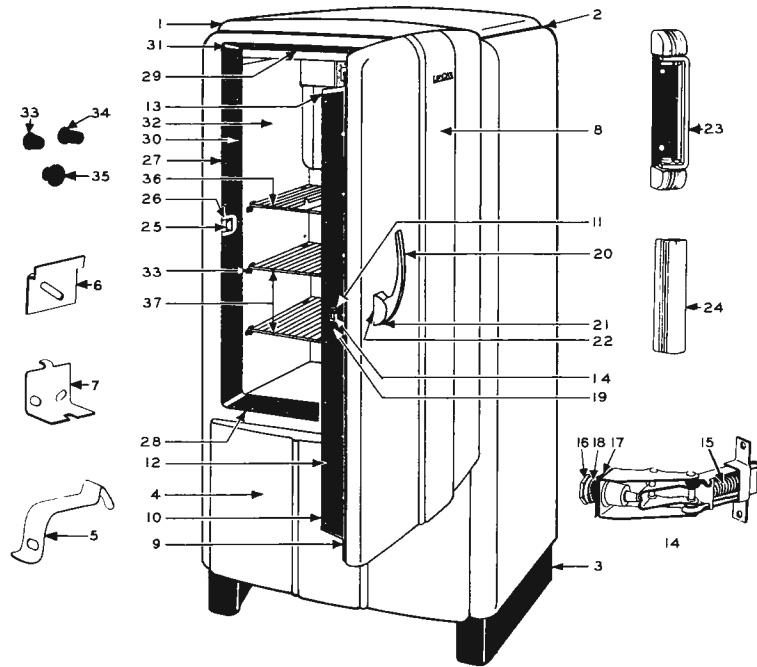
\* Refer to Accessories Section for Parts Included.

\* Use Ximsul, Cat. H5X20

Always Give Catalog Number

# JB6-39A, JB6-39B - Cabinet Parts

FOR REFRIGERATING MACHINE PARTS REFER TO CF-2G UNIT  
FOR ACCESSORIES REFER TO ACCESSORIES SECTION



Ref. No.	Catalog Number	Name of Part
1	HWA34	TOP COVER FOR CABINET
2	H13A154	Gasket for Top Cover
	H20A161	Clip for Top Cover, Front
	H20A162	Clip for Top Cover, Back
	H20A86	Screw for Cat. H20A161 (10-30)
	H20A60	Screw for H20A162 or Refrigerant Line Sealing Plate (No. 8)
	69X893	Screw Fastening Condenser to Outer Case, (No. 10)
	H20A243	Rubber Spacer for Back of Condenser
	H20A62	Screw Fastening Spacer to Condenser (No. 8)
	80X132	Washer for Cat. H20A62
3	H27A45	BASE WITH SCREWS FOR CONDENSER
	91X208	Cap Screw Fastening Condenser to Base (5/16 in.-18)
	177811	Nut for Cat. 91X208
	H18A22	Washer for Cat. 91X208 (7/8 in. O.D.)
	H18A18	Washer for Cat. 91X208 (5/8 in. O.D.)
	20X536	Cap Screw Fastening Outer Case to Base (1/4 in.-20)
	160980	Washer for Cat. 20X536
	261646	Cap Screw Fastening Refrigerating Machine to Base (5/16 in.-18)
	177811	Nut for Cat. 261646
	H18A22	Washer for Cat. 261646
4	H6A95	LOWER DOOR PANEL
5	H20A241	Spring Clip for Lower Door Panel
	*H20A174	Screw for Cat. H20A241 (10-30)
	165736	Washer for Cat. H20A174
	H20A242	Rubber Button Spacer for Lower Door Panel
6	H20A181	Support for Lower Door Panel
	H20A49	Screw for Cat. H20A181 (No. 8)
	H20A240	Washer for Cat. H20A49
	H20A239	Catch for Spring Clip Cat. H20A241
	H20A60	Screw for Cat. H20A239 (No. 8)
7	-	DOOR FOR CABINET
	H7A198	Outer Door Panel (Right-Hand Cabinet)
	H7A199	Outer Door Panel (Left-Hand Cabinet)
9	H13A147	Door Gasket
	H10A89	Door Strip, Hinge Side
	H10A91	Door Strip, Top or Bottom
	H10A90	Door Strip, Latch Side, with Escutcheon for Latch Bolt
11	H15A41	Escutcheon for Latch Bolt
12	H12X2	Screw for Door Strip (10-30)
13	H9A25	Door Corner
	H7A106	Inner Door Panel
14	H15A43	Latch, with Gasket, Nut and Lockwasher
15	H15A44	Spring for Latch
16	H15A45	Nut for Latch and Handle
17	H13A148	Gasket Between Latch and Outer Door Panel
18	H20A117	Lockwasher for Cat. H15A45
19	11X339	Screw Fastening Latch to Door Strip (10-30)

Ref. No.	Catalog Number	Name of Part
	H20A6	Screw for Nameplate Clip (4-48)
	NP660868	Nameplate Clip
20	*H15A62	Latch Handle Without Escutcheon (All Chromium)
	*H15A46	Latch Handle without Escutcheon (White Stripes)
21	H15A47	Escutcheon for Latch Handle
22	H13A149	Gasket Between Latch Handle and Door Panel
23	*H16A49	Hinge with End Covers (All Chromium)
24	*H16A50	Middle Cover for Hinge (All Chromium)
	*H16A35	Hinge with End Covers (White Stripes)
	*H16A36	Middle Cover for Hinge (White Stripes)
	H20A47	Screw for Hinge (12-28)
25	H14A19	Strike for Latch Bolt
26	H14A20	Strike Case
	11X339	Screw for Cat. H14A19 (10-30)
	58X310	Lockwasher for Cat. 11X339
	1GA21H3	Door Switch with 8 Inch Leads
	H13A181	Gasket for Cat. 1GA21H3
	H12X2	Screw for Cat. 1GA21H3 (10-30)
27	H10A94	Door Jamb Strip, Latch Side
28	H10A95	Door Jamb Strip, Bottom
29	H10A115	Door Jamb Strip, Top
	H10A116	Door Jamb Strip, Hinge Side
30	H12X2	Screw for Door Jamb Strip (10-30)
31	H9A26	Door Jamb Corner
32	H3A95	INNER LINER WITH SHELF SUPPORTS (JB-6-39A)
	H3A115	INNER LINER WITH SHELF SUPPORTS (JB-6-39B)
33	H17A89	Shelf Support, Straight (1/2 in. long)
34	H17A122	Shelf Support, Straight (3/4 in. long)
35	H17A90	Shelf Support, Headed (1/2 in. long)
	H12A2	Screw for Shelf Support (1/4 in.-20)
	H20A110	Rubber Plug for Inner Liner Cover
	H12X2	Screw Fastening Inner Liner Cover to Inner Liner (10-30)
	H20A74	Washer (Fiber) for Cat. H12X2
	H20A75	Washer (Rubber) for Cat. H12X2
	H17A129	Shelf, Small, Side of Evaporator
	H17A114	Shelf, Large, Top
36	H17A115	Shelf, Large, Middle or Bottom
37	H20A282	Bracket for Ice Tray Separator Release
	H20A60	Screw for Cat. H20A282 (No. 8)
	78X81	Lamp Receptacle (JB-6-39A)
	H19A27	Bushing for Lamp Receptacle (JB-6-39A)
	H19A26	Lamp Guard (JB-6-39A)
	H19A28	Lamp Receptacle (JB-6-39B)
	H20A60	Screw for H19A28 (No. 8)
	GE3014	Connector for Wire
	H5X20	Cabinet Insulation (Kimsul, 16' roll)
	**AIR133	Accessories

\* Early Production Cabinets Used Hardware with White Stripes on Chromium. Later Production Used All Chromium Hardware.

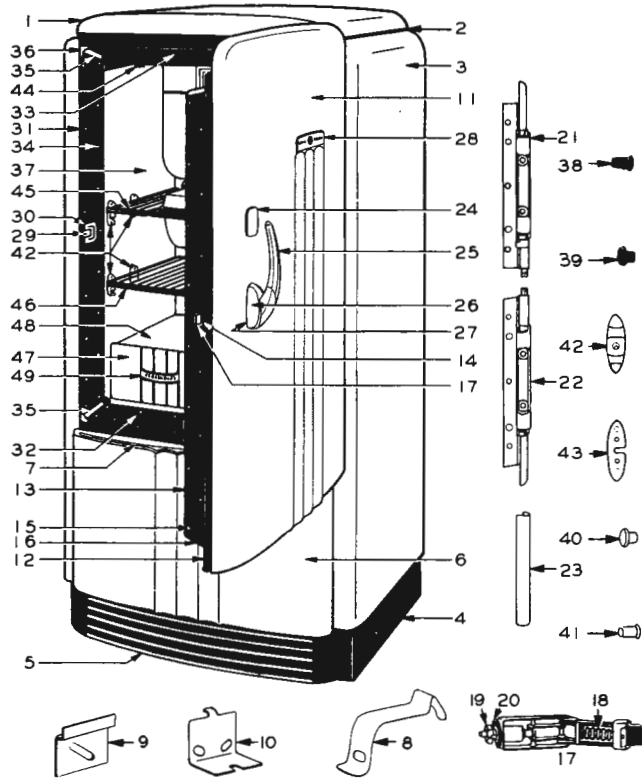
\*\* Refer to Accessories Section for Parts Included.

\* Later Production Cabinets Used Cat. 105113 Screw (10-32) with Cat. 200384 Nut.

† Later Production Cabinets used Cat. 105136 Screw (10-32) with Cat. 200384 Nut and Cat. H20A380 Washer.

# B6-39A, PB6-39A - Cabinet Parts

FOR REFRIGERATING MACHINE PARTS REFER TO CF-2G UNIT  
FOR ACCESSORIES REFER TO ACCESSORIES SECTION

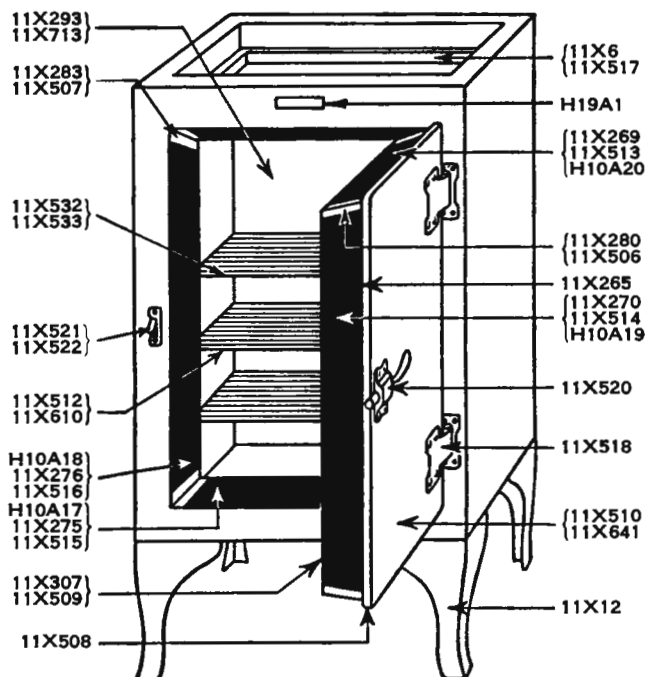


Ref. No.	Catalog Number		Name of Part
	B6-39A	PB6-39A	
12	H7A207	H7A206	Outer Door Panel (Left-Hand Cabinet)
	H13A147	H13A147	Door Gasket
	H10A89	H10A89	Door Strip, Hinge Side
	H10A91	H10A91	Door Strip, Top or Bottom
13	H10A143	H10A143	Door Strip, Latch Side, with Escutcheon for Latch Bolt
14	H15A41	H15A41	Escutcheon for Latch Bolt
15	H12X2	H12X2	Screw for Door Strip (10-30)
16	H9A25	H9A25	Door Corner
	H7A203	H7A203	Inner Door Panel
17	H15A63	H15A63	Latch with Gasket and Nut
18	H15A64	H15A64	Spring for Latch
19	H15A65	H15A65	Nut for Latch and Handle
20	H15A66	H15A66	Gasket Between Latch & Outer Door Panel
	11X339	11X339	Screw Fastening Latch to Door Strip (10-30)
21	H16A55	H16A55	Hinge, without Cover, Upper RH or Lower LH
22	H16A56	H16A56	Hinge, without Cover, Lower RH or Upper LH
	H16A58	H16A58	Space Tube Between Hinges
23	H16A52	H16A52	Cover for Hinge
	128619	128619	Gasket Between Hinge & Outer Door Panel
24	H15A67	H15A67	Screw Fastening Hinge to Outer Door (10-32)
	H20A6	H20A6	Scuff Plate for Latch Handle
	58X276	58X276	Screw for Thermometer, Nameplate Clip or Scuff Plate (4-48)
25	H15A68	H15A68	Screw Fastening Latch Handle to Outer Door Panel (No. 8)
26	H15A69	H15A69	Latch Handle Without Escutcheon
27	H13A195	H13A195	Escutcheon for Latch Handle
28	NP74779A	NP74779A	Gasket Between Latch Handle and Outer Door Panel
	NP74779B	NP74779B	Nameplate
	167651	167651	Nameplate Clip
29	H14A19	H14A19	Screw Fastening Hinge to Cabinet (12-28)
30	H14A20	H14A20	Gasket Between Hinge and Cabinet
	11X339	11X339	Strike for Latch Bolt
	58X310	58X310	Strike Case
	1GA21H3	1GA21H3	Screw for Strike (10-30)
	H13A181	H13A181	Lockwasher for Cat. 11X339
	H12X2	H12X2	Door Switch with 8 Inch Leads
31	H10A94	H10A94	Gasket for Cat. 1GA21H3
32	H10A95	H10A95	Screw for Cat. 1GA21H3 (10-30)
33	H10A115	H10A115	Door Jamb Strip, Latch Side
	H10A116	H10A116	Door Jamb Strip, Bottom
	H12X2	H12X2	Door Jamb Strip, Top
34	H9A26	H9A26	Door Jamb Strip, Hinge Side
35	H18A136	H18A136	Screw for Door Jamb Strip (10-30)
36	H3A116	H3A116	Door Jamb Corner
37	H17A122	H17A122	Door Jamb Corner Trim
38	H17A90	H17A90	INNER LINER WITH SHELF SUPPORTS
39	H20A253	H20A253	Shelf Support, Straight, Black (3/4 in. long)
	H17A194	H17A194	Shelf Support, Headed (1/2 in. long)
	H18A3	H18A3	Spacer for Cat. H17A90
40	H17A199	H17A199	Shelf Support, Headed, White (1/2 in. long)
	H17A195	H17A195	washer for Cat. H17A199
41	H12A2	H12A2	Shelf Support, Straight, White (3/4 in. long)
	H17A122	H17A122	Screw for H17A122, H17A90, H17A194 or H17A195 (1/4 in.-20)
42	H17A197	H17A197	Shelf Support, Double Slot
43	H20A389	H20A389	Shim for H17A197 (.031 in. thick)
	H20A390	H20A390	Shim for H17A197 (.0625 in. thick)
	H20A159	H20A159	Screw for Cat. H17A197 (10-30)
	58X364	58X364	Lockwasher for Cat. H20A159
	H20A110	H20A110	Rubber Plug for Inner Liner Cover
	H12X2	H12X2	Screw Fastening Inner Liner Cover to Inner Liner (10-30)
	H20A74	H20A74	Washer (Fiber) for Cat. H12X2
	H20A75	H20A75	Washer (Rubber) for Cat. H12X2
44	H20A282	H20A282	Bracket for Ice Tray Separator Release
	H20A60	H20A60	Screw for Cat. H20A282 (No. 8)
	H17A200	H17A200	Shelf, Small, Side of Evaporator
45	H17A201	H17A201	Sliding Shelf with Stops, Top, Large
	H18A156	H18A156	Trim for Shelf Slide
46	H17A203	H17A203	Sliding Shelf with Stops, Bottom, Large
	H17A202	H17A202	Shelf Stop
	H17A204	H17A204	Shelf, Small, Over Utility Basket
	H20A248	H20A248	Bumper for Shelf
47	H30A62	H30A62	VEGETABLE DRAWER WITH COVER
48	H30A63	H30A63	Cover for Vegetable Drawer
	H30A64	H30A64	Pan for Vegetable Drawer
	H30A65	H30A65	Front Panel for Vegetable Drawer
49	H30A66	H30A66	Handle for Vegetable Drawer
	H30A67	H30A67	Spacer Between Pan and Front Panel
	H20A341	H20A341	Screw Fastening Handle and Front Panel to Pan (10-30)
	205128	205128	Nut for Cat. H20A341
	179789	179789	Washer for Cat. H20A341
	A21R82	A21R82	UTILITY BASKET
	A21R83	A21R83	Utility Basket without Handle and Front Panel
	H30A69	H30A69	Front Panel for Utility Basket
	A21R84	A21R84	Handle for Utility Basket
	H30A67	H30A67	Spacer Between Front Panel and Utility Basket
	H20A341	H20A341	Screw Fastening Handle and Front Panel to Utility Basket
	205128	205128	Nut for Cat. H20A341
	H20A342	H20A342	Support for Vegetable Drawer and Utility Basket
	H17A125	H17A125	Rubber Bumper for Cat. H20A342
	78X435	78X435	Lamp Receptacle
	H20A60	H20A60	Screw for Cat. 78X435 (No. 8)
	GE3014	GE3014	Connector for Wire
	H5X20	H5X20	Cabinet Insulation (Kimsul, 18' roll)
	A1R134	A1R135	*Accessories

Ref. No.	Catalog Number		Name of Part
	B6-39A	PB6-39A	
1	H4A52	H4A52	TOP COVER FOR CABINET
2	H13A154	H13A154	Gasket for Top Cover
	H20A161	H20A161	Clip for Top Cover, Front
	H20A162	H20A162	Clip for Top Cover, Back
	-	H13A165	Gasket for Cat. H20A162
	H20A86	H20A86	Screw for Cat. H20A161 (10-30)
	H20A60	H20A60	Screw for H20A162, or for Refrigerant Line Sealing Plate (No. 8)
3	-	H13A166	Gasket for Refrigerant Line Sealing Plate
	-	H2A93	OUTER CASE (RIGHT-HAND CABINET)
	-	H2A94	OUTER CASE (LEFT-HAND CABINET)
	69X893	69X893	Screw Fastening Condenser to Outer Case (No. 10)
	H20A243	H20A243	Rubber Spacer for Back of Condenser
	H20A62	H20A62	Screw for Cat. H20A243 (No. 8)
4	80X132	80X132	Washer for Cat. H20A62
	H27A84	H27A84	BASE WITH SCREWS FOR CONDENSER
	91X208	91X208	Cap Screw Fastening Condenser to Base (5/16 in.-18)
	177811	177811	Nut for Cat. 91X208
	H18A18	H18A18	Washer for Cat. 91X208, (5/8 in. O.D.)
	H18A22	H18A22	Washer for Cat. 91X208, (7/8 in. O.D.)
	-	H20A254	Rubber Pad Between Base and Cabinet
	20X536	20X529	Cap Screw Fastening Outer Case to Base (1/4 in.-20)
	160980	160980	Washer for Cat. 20X529 or 20X536
	-	H20A255	Fiber Washer for Cat. 20X529
	261646	261646	Cap Screw Fastening Refrigerating Machine to Base (5/16 in.-18)
	177811	177811	Nut for Cat. 261646
5	H18A22	H18A22	Washer for Screw Cat. 261646
	H27A85	H27A85	Grille for Base
	65X229	65X229	Cap Screw Fastening Grille to Base (1/4"-20)
	59X241	59X241	Wing Nut for Cat. 65X229
6	H7A200	H7A204	LOWER DOOR PANEL
	-	H18A148	Trim with Clips for Lower Door Panel
	-	H20A358	Clip for Trim
8	H20A241	H20A241	Spring Clip for Lower Door Panel
	H20A174	H20A174	Screw for Cat. H20A241 (10-30)
	165736	165736	Washer for Cat. H20A174
	H20A242	H20A242	Rubber Button Spacer for Lower Door Panel
9	H20A181	H20A181	Support for Lower Door Panel
	H20A49	H20A49	Screw for Cat. H20A181 (No. 8)
	H20A240	H20A240	Washer for Cat. H20A49
10	H20A239	H20A239	Catch for Spring Clip Cat. H20A241
	H20A60	H20A60	Screw for Cat. H20A239 (No. 8)
11	-	-	DOOR FOR CABINET
11	H7A201	H7A205	Outer Door Panel (Right-Hand Cabinet)

\* Refer to Accessories Section for Parts Included.  
 † Later Production Cabinets used Cat. 105113 Screw (10-32) with Cat. 200384 Nut.  
 ‡ Later Production Cabinets used Cat. 105136 Screw (10-32) with Cat. 200384 Nut and Cat. H20A380 Washer.

## R-5\*, G-55 and S-62—Cabinet Parts



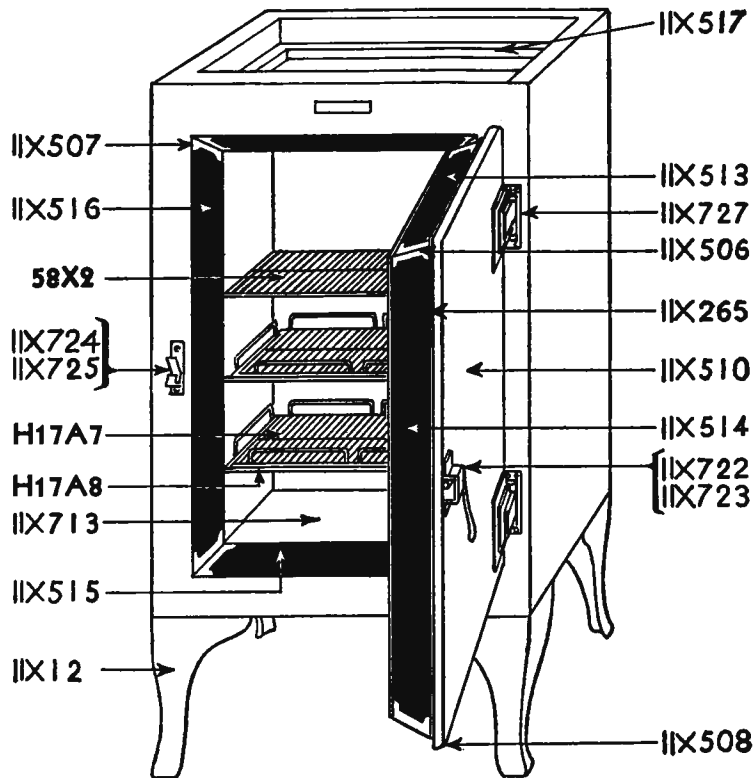
- |        |  |         |  |
|--------|--|---------|--|
| 11X6   | Sponge Gasket for R-5, G-55  | 11X516  | Door Jamb Strip (Vertical) for S-62  |
| 11X12  | Leg  | 11X517  | Sponge Gasket for S-62   |
| 11X265 | Door Gasket Complete (4 Pieces)                                      | 11X518  | Hinge (Chromium)   |
| 11X269 | Door Strip (Horizontal) for G-55                                     | 11X520  | Latch, Right or Left Hand (Chromium)   |
| 11X270 | Door Strip (Vertical) for G-55                                       | 11X521  | Strike, Right Hand (Chromium)  |
| 11X275 | Door Jamb Strip (Horizontal) for G-55                                | 11X522  | Strike, Left Hand (Chromium)   |
| 11X276 | Door Jamb Strip (Vertical) for G-55                                  | 11X532  | Shelf (Offset) for New Unit Replacement for G-55 and R-5 Cabinets Nos. 10,000 to 103,457 |
| 11X280 | Door Corner for G-55 and R-5   | 11X533  | Shelf (Offset) for New Unit Replacement for G-55 Cabinets Nos. 103,458 to 117,357        |
| 11X283 | Door Jamb Corner for G-55 and R-5                                    | 11X610  | Shelf (Adjustable) for G-55 and R-5  |
| 11X293 | Inner Liner for G-55   | 11X641  | Outer Door Panel for R-5 Cabinets below No. 43,090                                       |
| 11X307 | Inner Door Panel for G-55 and R-5                                    | 11X713  | Inner Liner for S-62   |
| 11X338 | Hardware Screw   | 11X812  | Cabinet Insulation (Set)   |
| 11X339 | Door Strip Screw   | H10A17  | Door Jamb Strip (Horizontal) for R-5   |
| 11X340 | Nameplate Screw  | H10A18  | Door Jamb Strip (Vertical) for R-5   |
| 11X506 | Door Corner for S-62   | H10A19  | Door Strip (Vertical) for R-5  |
| 11X507 | Door Jamb Corner for S-62  | H10A20  | Door Strip (Horizontal) for R-5  |
| 11X508 | Complete Door  | H18A96  | Tapping Strip (Horizontal) for Inner Door 11X307   |
| 11X509 | Inner Door Panel for S-62  | H18A97  | Tapping Strip (Vertical) for Inner Door 11X307   |
| 11X510 | Outer Door Panel for G-55 and S-62 Cabinets and R-5 above No. 43,090 | H18A98  | Tapping Strip (Horizontal) for Outer Door for G-55                                       |
| 11X512 | Shelf (Adjustable) for S-62  | H18A99  | Tapping Strip (Vertical) for Outer Door for G-55   |
| 11X513 | Door Strip (Horizontal) for S-62                                     | H18A100 | Tapping Strip (Horizontal) for Outer Door 11X641   |
| 11X514 | Door Strip (Vertical) for S-62                                       | H18A101 | Tapping Strip (Vertical) for Outer Door 11X641   |
| 11X515 | Door Jamb Strip (Horizontal) for S-62                                |         |  |

\* R-5 Cabinets made by G. E. Co. Serial Nos. 5SL-10,000 to 5SL-66,932.

Note: The accessories furnished depend on the unit used. Refer to the Accessories Section.

Always Give Catalog Number

## S-62S, SS-62 and S-67—Cabinet Parts

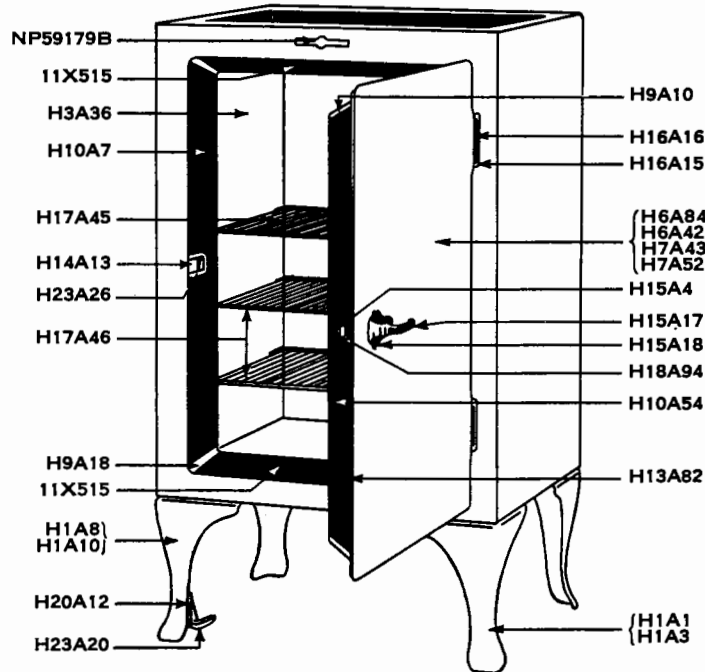


11X12	Leg	11X727	Hinge
11X265	Rubber Door Gasket (4 Pieces)	11X785	Door Strip Screw
11X340	Nameplate Screw	11X788	Hardware Screw
11X506	Door Corner	11X815	Insulation (Set)
11X507	Door Jamb Corner	58X2	Straight Adjustable Shelf
11X508	Door Complete	H5A32	Insulation for Top
11X509	Inner Door Panel	H17A7	Sliding Shelf Only
11X510	Outer Door Panel	H17A8	Frame for Sliding Shelf
11X513	Door Strip (Horizontal)	H17A9	Shelf (Special Top) for DRB-31B
11X514	Door Strip (Vertical)	H17X93	Half Size Sliding Shelf
11X515	Door Jamb Strip (Horizontal)	H17X94	Half Size Sliding Shelf Frame
11X516	Door Jamb Strip (Vertical)	H18A102	Tapping Strip (Horizontal) for Outer Door
11X517	Sponge Gasket	H18A103	Tapping Strip (Vertical) for Outer Door
11X713	Inner Liner	H18A106	Tapping Strip for Hinge
11X722	Latch (Right Hand)	H18A107	Tapping Strip for Latch
11X723	Latch (Left Hand)	H20A3	Oversize Strip Screw
11X724	Strike (Right Hand)	H20A4	Eyelet for Tapping Strip
11X725	Strike (Left Hand)		

Note: The accessories furnished depend on the unit used. Refer to the Accessories Section.

Always Give Catalog Number

## X-6A, XT-6A—Cabinet Parts



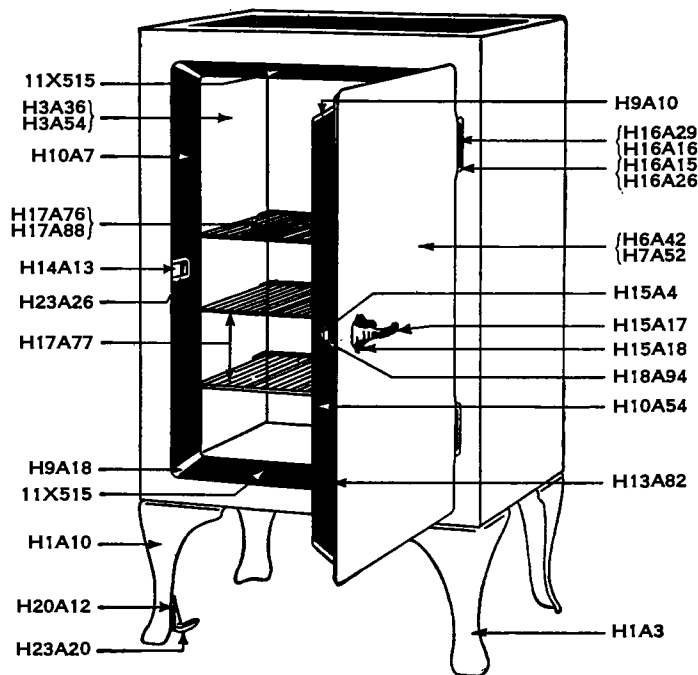
Name of Part	Cat. No.	
	X-6A	XT-6A
†Accessories	A1R45	A1R45
Leg without Bracket (11 3/4")	H1A3	H1A1
Leg with Bracket (11 3/4")	H1A10	H1A8
Leg with Bracket (5 3/4")	H1A11	H1A9
Inner Liner with Shelf Supports	H3A36	H3A36
Cabinet Insulation (Kimsul, 18' roll)	H5X20	H5X20
Door Complete	H6A84	H6A84
Outer Door Panel	H7A52	H7A43
Door Corner	H9A10	H9A10
Door Jamb Corner	H9A18	H9A18
Door Jamb Strip (Vertical, Latch Side)	H10A7	H10A7
Door Strip with Escutcheon Plate (Latch Side)	H10A54	H10A54
Door Strip (Vertical, Hinge Side)	H10A55	H10A55
Door Strip (Horizontal)	H10A56	H10A56
Door Jamb Strip (Vertical, Hinge Side)	H10A57	H10A57
Tapping Strip for Inner Liner (Vertical)	H11A1	H11A1
Tapping Strip for Inner Liner (Horizontal)	H11A2	H11A2
Tapping Strip for Door (Inner, Vertical)	H11A3	H11A3
Tapping Strip for Door (Inner, Horizontal)	H11A4	H11A4
Hinge Tapping Strip for Outer Case	H11A20	H11A20
Tapping Strip for Outer Case (Vertical)	H11A41	H11A41
Tapping Strip for Hinge and Door	H11A47	H11A47
Tapping Strip for Latch	H11A48	H11A48
Tapping Strip for Outer Case (Horizontal)	H11A50	H11A50
Screw for Shelf Support	H12A2	H12A2
Screw for Door Jamb Strip or Door Strip	H12X2	H12X2
Gasket for Leg	H13A32	H13A32
Gasket for Sealing Cup	H13A59	H13A59
Gasket for 49X542 Flush Cup Receptacle	H13A60	H13A60
Rubber Door Gasket	H13A82	H13A82
Gasket for Inner Liner	H13A84	H13A84
Gasket between Door Strip and Tapping Strip (Horizontal)	H13A85	H13A85
Gasket between Door Strip and Tapping Strip (Vertical)	H13A86	H13A86
Strike	H14A13	H14A13
Latch Bolt with Rivet	H15A4	H15A4
Latch	H15A17	H15A17
Escutcheon Plate for Latch	H15A18	H15A18
Latch Handle Spring	H15A55	H15A55
Latch Handle Pin	H15A56	H15A56
Hinge	H16A15	H16A15
Cover for Hinge	H16A16	H16A16
Shelf Support	H17A1	H17A1
Shelf (Top)	H17A45	H17A45

Name of Part	Cat. No.	
	X-6A	XT-6A
Shelf (Middle or Bottom)	H17A46	H17A46
Washer for H12A2 Screw	H18A3	H18A3
Washer for H20A15 Cap Screw	H18A18	H18A18
Washer for Short Leg	H18A22	H18A22
Fiber Washer for Leg	H18A43	H18A43
Momentary Contact Switch with Leads	H18A54	H18A54
Rivet for Hinge Tapping Strip or Tapping Strip for Door	H18A92	H18A92
Escutcheon Plate for Door Strip (Latch Side)	H18A94	H18A94
Tapping Strip for Door (Outer, Horizontal)	H18A102	H18A102
Tapping Strip for Door (Outer, Vertical)	H18A103	H18A103
Lamp Guard	H19A4	H19A4
Screw for Outer Case Tapping Strip	H20A4	H20A4
Speed Nut for 49X563 and 49X564 Receptacles	H20A6	H20A6
Retaining Washer for 49X542 Receptacle	H20A8	H20A8
Lock Nut for 49X542 Receptacle	H20A9	H20A9
Shim for H20A10 Lock Nut	H20A10	H20A10
Guard for Leg	H20A11	H20A11
Cap Screw for Leg	H20A12	H20A12
Screw for Hinge	H20A15	H20A15
Screw for Gasket and Sealing Cup	H20A47	H20A47
Shim between Hinge and Door	H20A48	H20A48
Spring for Cabinet Door	H20A57	H20A57
Foot Pedal with Hinge, Bolt, Nut and Washer	H23A20	H23A20
Ball Joint Connector	H23A21	H23A21
Lock Nut	H23A22	H23A22
Connecting Rod (Lower) for use with Long Leg	H23A23	H23A23
Sealing Cup with Rod	H23A24	H23A24
Strike Case with Plunger (Right-Hand Cabinet)	H23A26	H23A26
Strike Case with Plunger (Left-Hand Cabinet)	H23A27	H23A27
Connecting Rod (Lower) for use with Short Leg	H23A30	H23A30
Foot Pedal Door Opener	H23A58	H23A58
Connecting Rod (Upper)	H23A59	H23A59
Nut for Foot Pedal Bolt	89943	89943
Screw for Latch	144066	144066
Leg without Bracket (5 3/4")	11X10	11X11
Screw for Strike	11X339	11X339
Inner Door Panel	11X509	11X509
Door Jamb Strip (Horizontal)	11X515	11X515
Flush Cup Receptacle with Leads	49X542	49X542
Light Receptacle	49X789	49X789
Lockwasher for 89943 Nut	61X327	61X327
Clip for Nameplate	NP59179B	NP59179B

† Refer to Accessories Section for parts included.

Always Give Catalog Number

## M-6A, \*M-6B and M-6C—Cabinet Parts



Name of Part	Cat. No.	
	M-6A	M-6C
†Accessories	A1R56	A1R56
Leg without Bracket (11 1/8")	H1A3	H1A3
Leg with Bracket (11 1/8")	H1A10	H1A10
Leg with Bracket (5 1/2")	H1A11	H1A11
Inner Liner with Shelf Supports	H3A36	H3A54
Cabinet Insulation (Kimsul, 18' roll)	H5X20	H5X20
Door Complete	H6A42	H6A42
Outer Door Panel	H7A52	H7A52
Door Corner	H9A10	H9A10
Door Jamb Corner	H9A18	H9A18
Door Jamb Strip (Vertical, Latch Side)	H10A7	H10A7
Door Strip with Escutcheon Plate (Latch Side)	H10A54	H10A54
Door Strip (Vertical, Hinge Side)	H10A55	H10A55
Door Strip (Horizontal)	H10A56	H10A56
Door Jamb Strip (Vertical, Hinge Side)	H10A57	H10A57
Door Jamb Strip (Vertical, Hinge Side, Right-Hand Cabinet)		H10A87
Door Jamb Strip (Vertical, Hinge Side, Left-Hand Cabinet)		H10A88
Tapping Strip for Inner Liner (Vertical)	H11A1	H11A1
Tapping Strip for Inner Liner (Horizontal)	H11A2	H11A2
Tapping Strip for Door (Inner, Vertical)	H11A3	H11A3
Tapping Strip for Door (Inner, Horizontal)	H11A4	H11A4
Tapping Strip for Outer Case and Hinge	H11A20	H11A20
Tapping Strip for Outer Case (Vertical)	H11A41	H11A41
Tapping Strip for Door and Hinge	H11A47	H11A47
Tapping Strip for Door and Latch	H11A48	H11A48
Tapping Strip for Outer Case (Horizontal)	H11A50	H11A50
Screw for Shelf Support	H12A2	H12A2
Screw for Door Strip or Door Jamb Strip	H12X2	H12X2
Gasket for Leg	H13A32	H13A32
Gasket for Sealing Cup	H13A59	H13A59
Gasket for 49X542 Flush Cup Receptacle	H13A60	H13A60
Rubber Door Gasket	H13A82	H13A82
Rubber Bushing for Light Receptacle	H13A142	H13A142
Strike	H14A13	H14A13
Latch Bolt with Rivet	H15A4	H15A4
Latch	H15A17	H15A17
Escutcheon Plate for Latch	H15A18	H15A18
Latch Handle Spring	H15A55	H15A55
Latch Handle Pin	H15A56	H15A56
Hinge	H16A15	H16A26
Cover for Hinge	H16A16	H16A29
Opening Spring Cartridge for Hinge		H16A27
Retarding Spring Cartridge for Hinge		H16A28
Shelf Support	H17A1	H17A1
Shelf (Top)	H17A76	H17A88
Shelf (Middle or Bottom)	H17A77	H17A77

Name of Part	Cat. No.	
	M-6A	M-6C
Sliding Shelf (Middle or Bottom)		H17A85
Sliding Shelf Frame		H17A86
Washer for H12A2 Screw	H18A3	H18A3
Washer for H20A15 Cap Screw	H18A18	H18A18
Washer for Short Leg	H18A22	H18A22
Momentary Contact Switch with Leads	H18A54	H18A54
Rivet for H11A20, H11A47 or H11A48 Tapping Strips	H18A92	H18A92
Escutcheon Plate for Latch Bolt	H18A94	H18A94
Tapping Strip for Door (Outer, Horizontal)	H18A102	H18A102
Tapping Strip for Door (Outer, Vertical)	H18A103	H18A103
Lamp Guard	H19A4	H19A5
Spring for H18A54 Switch		H19A6
Light Receptacle with Retaining Ring and Short Leads		H19A15
Rivet for Tapping Strips	H20A4	H20A4
Speed Nut for Light Receptacle	H20A8	
Retaining Washer for 49X542 Receptacle	H20A9	H20A9
Lock Nut for 49X542 Receptacle	H20A10	H20A10
Guard for Leg	H20A12	H20A12
Cap Screw for Leg	H20A15	H20A15
Screw for Hinge	H20A47	H20A47
Screw for Sealing Cup and Gasket	H20A48	H20A48
Spring for Cabinet Door	H20A57	
Tray Lifter Hook	H20A98	H20A98
Foot Pedal with Hinge, Bolt, Nut and Washer	H23A20	H23A20
Ball Joint Connector	H23A21	H23A21
Lock Nut for H23A21 Connector	H23A22	H23A22
Connecting Rod (Lower) for use with Long Leg	H23A23	H23A23
Sealing Cup with Rod	H23A24	H23A24
Strike Case with Plunger (Right-Hand Cabinet)	H23A26	H23A26
Strike Case with Plunger (Left-Hand Cabinet)	H23A27	H23A27
Connecting Rod (Lower) for use with Short Leg	H23A30	H23A30
Foot Pedal Door Opener	H23A58	H23A58
Connecting Rod (Upper)	H23A59	H23A59
Nut for Foot Pedal Bolt	89943	89943
Screw for Latch	144066	144066
Leg without Bracket for Foot Pedal (5 1/2")	11X10	11X10
Screw for Strike	11X339	11X339
Inner Door Panel	11X509	11X509
Door Jamb Strip (Horizontal)	11X515	11X515
Flush Cup Receptacle with Leads	49X542	49X542
Light Receptacle with Leads	49X789	
Retaining Ring for Light Receptacle		49X972
Lockwasher for 11X339 Screw		58X310
Lockwasher for 89943 Nut	61X327	61X327
Connector for Leads	GE3014	GE3014

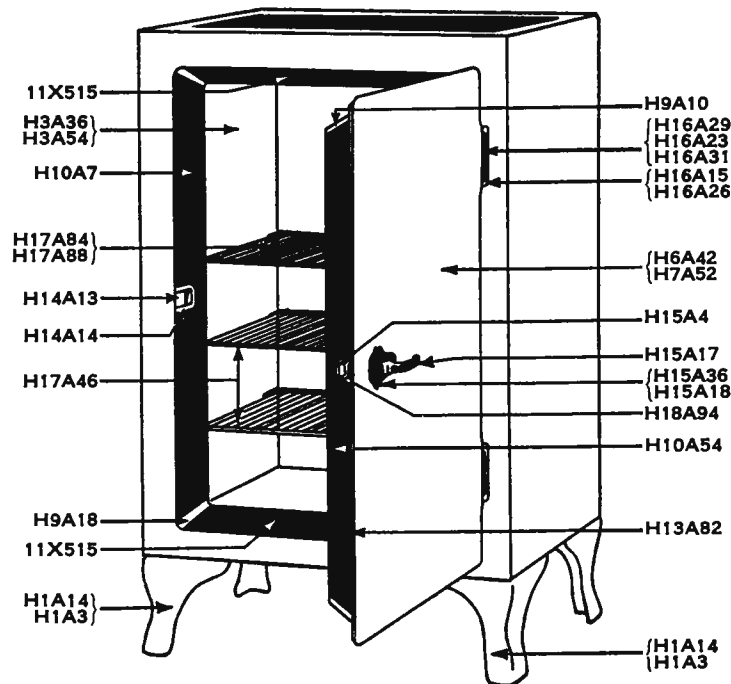
\* M-6B Cabinet same as M-6A Cabinet except replace middle and bottom shelf Cat. No. H17A77 with Cat. No. H17A85 sliding shelf and Cat. No. H17A86 sliding shelf frame. Cat. No. H17A76 top shelf is for use with Evaporator on side and Cat. No. H17A88 top shelf is for use with Evaporator in center.

† Refer to Accessories Section for parts included.

Always Give Catalog Number



## SM-66A, SM-66B and SM-66C—Cabinet Parts



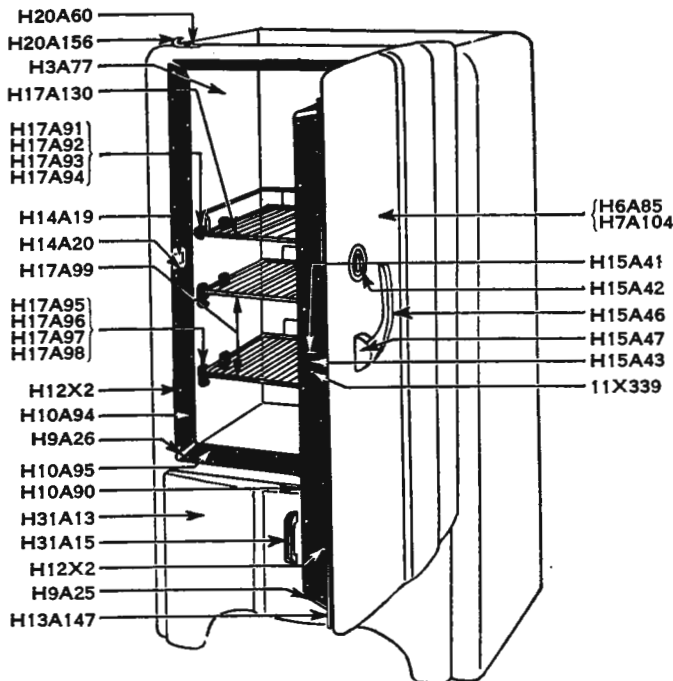
Name of Part	Cat. No.		
	SM-66A	SM-66B	SM-66C
†Accessories (with CK-15A Unit)...	A1R62	A1R69	A1R69
†Accessories (with CK-2C Unit)...	A1R68	A1R70	A1R70
Leg (8")	H1A14		
Leg (11 1/4")		H1A3	H1A3
Inner Liner with Shelf Supports...	H3A36	H3A36	H3A54
Cabinet Insulation (Set).....	H5A108	H5A108	H5A108
Door Complete.....	H6A42	H6A42	H6A42
Outer Door Panel.....	H7A52	H7A52	H7A52
Door Corner.....	H9A10	H9A10	H9A10
Door Jamb Corner.....	H9A18	H9A18	H9A18
Door Jamb Strip (Vertical, Latch Side).....	H10A7	H10A7	H10A7
Door Strip with Escutcheon Plate (Vertical, Latch Side).....	H10A54	H10A54	H10A54
Door Strip (Vertical, Hinge Side).....	H10A55	H10A55	H10A55
Door Strip (Horizontal).....	H10A56	H10A56	H10A56
Door Jamb Strip (Vertical, Hinge Side, Right-Hand Cabinet).....	H10A87	H10A87	H10A87
Door Jamb Strip (Vertical, Hinge Side, Left-Hand Cabinet).....	H10A88	H10A88	H10A88
Tapping Strip for Inner Liner (Vertical).....	H11A1	H11A1	H11A1
Tapping Strip for Inner Liner (Horizontal).....	H11A2	H11A2	H11A2
Tapping Strip for Door (Inner, Vertical).....	H11A3	H11A3	H11A3
Tapping Strip for Door (Inner, Horizontal).....	H11A4	H11A4	H11A4
Tapping Strip for Hinge and Outer Case.....	H11A20	H11A20	H11A20
Tapping Strip for Outer Case (Vertical).....	H11A41	H11A41	H11A41
Tapping Strip for Door and Hinge	H11A47	H11A47	H11A47
Tapping Strip for Door and Latch (Horizontal).....	H11A48	H11A48	H11A48
Tapping Strip for Outer Case (Horizontal).....	H11A50	H11A50	H11A50
Screw for Shelf Support.....	H12A2	H12A2	H12A2
Screw for Door Strip or Door Jamb Strip.....	H12X2	H12X2	H12X2
Gasket for Leg.....	H13A27	H13A32	H13A32
Gasket for 49X542 Receptacle.....	H13A60	H13A60	H13A60
Rubber Door Gasket.....	H13A82	H13A82	H13A82
Rubber Bushing for Light Receptacle Strike.....	H13A142	H13A142	H13A142
Strike.....	H14A13	H14A13	H14A13
Strike Case.....	H14A14	H14A14	H14A14
Latch Bolt with Rivet.....	H15A4	H15A4	H15A4
Latch.....	H15A17	H15A17	H15A17
Escutcheon Plate for Latch (Chrome Finish).....		H15A18	H15A18

† Refer to Accessories Section for parts included.

Name of Part	Cat. No.		
	SM-66A	SM-66B	SM-66C
Escutcheon Plate for Latch (Black Dulux Finish).....	H15A36	H15A36	H15A36
Latch Handle Spring.....	H15A55	H15A55	H15A55
Latch Handle Pin.....	H15A56	H15A56	H15A56
Hinge for use with Cover 3 1/4" long	H16A15		
Cover for H16A15 Hinge.....	H16A23		
Hinge for use with Cover 3 1/4" long	H16A26	H16A26	H16A26
Cover for H16A26 Hinge (White Dulux Finish).....	H16A29	H16A29	H16A29
Cover for H16A26 Hinge (Black Dulux Finish).....	H16A31	H16A31	H16A31
Shelf Support.....	H17A1	H17A1	H17A1
Shelf (Middle or Bottom).....	H17A46	H17A46	H17A46
Shelf (Top) (CK-15 Unit).....	H17A84	H17A84	H17A84
Shelf (Top) (CK-2C Unit).....	H17A88	H17A88	H17A88
Washer for H12A2 Screw.....	H18A3	H18A3	H18A3
Washer for H20A15 Screw.....	H18A18	H18A18	H18A18
Washer for 11X10 Leg.....	H18A22	H18A22	H18A22
Momentary Contact Switch with Leads.....	H18A54	H18A54	H18A54
Rivet for H11A20, H11A47, or H11A48 Tapping Strips.....	H18A92	H18A92	H18A92
Escutcheon Plate for Latch Bolt.....	H18A94	H18A94	H18A94
Tapping Strip for Door (Outer, Horizontal).....	H18A102	H18A102	H18A102
Tapping Strip for Door (Outer, Vertical).....	H18A103	H18A103	H18A103
Lamp Guard.....	H19A4	H19A4	H19A5
Spring for H18A54 Switch.....			H19A6
Light Receptacle with Retaining Ring and Short Leads.....			H19A15
Rivet for Tapping Strips.....	H20A4	H20A4	H20A4
Speed Nut for 49X563 Receptacle.....	H20A8	H20A8	
Retaining Washer for 49X542 Receptacle.....	H20A9	H20A9	H20A9
Lock Nut for 49X542 Receptacle.....	H20A10	H20A10	H20A10
Cap Screw for Leg.....	H20A15	H20A15	H20A15
Screw for Hinge.....	H20A47	H20A47	H20A47
Tray Lifter Hook.....	H20A98	H20A98	H20A98
Screw for Latch.....	144066	144066	144066
Leg (5 1/2").....	11X339	11X339	11X339
Screw for Strike.....	11X509	11X509	11X509
Inner Door Panel.....	11X515	11X515	11X515
Door Jamb Strip (Horizontal).....	49X542	49X542	49X542
Flush Cup Receptacle with Leads.....	49X789	49X789	49X789
Light Receptacle with Leads.....			49X972
Retaining Ring for Light Receptacle.....			58X310
Lockwasher for Strike Screw.....	58X310	58X310	58X310
Connector for Leads.....	GE3014	GE3014	GE3014

Always Give Catalog Number

## M-6-37A—Cabinet Parts



- |         |   |
|---------|---|
| A1R73†  | Accessories   |
| A2R10   | Glider for Outer Case (Left Front or Right Rear)                |
| A2R11   | Glider for Outer Case (Right Front or Left Rear)                |
| H3A77   | Inner Liner with Shelf Supports                                 |
| H5A143  | Cabinet Insulation (Set)  |
| H6A85   | Door Complete (Right Hand)                                      |
| H6A86   | Door Complete (Left Hand)                                       |
| H7A104  | Outer Door Panel (Right-Hand Cabinet)                           |
| H7A105  | Outer Door Panel (Left-Hand Cabinet)                            |
| H7A106  | Inner Door Panel  |
| H9A25   | Door Corner   |
| H9A26   | Door Jamb Corner  |
| H10A89  | Door Strip (Vertical, Hinge Side)                               |
| H10A90  | Door Strip (Vertical, Latch Side, with Escutcheon Plate)        |
| H10A91  | Door Strip (Horizontal)   |
| H10A92  | Door Jamb Strip (Vertical, Hinge Side, Right-Hand Cabinet)      |
| H10A93  | Door Jamb Strip (Vertical, Hinge Side, Left-Hand Cabinet)       |
| H10A94  | Door Jamb Strip (Vertical, Latch Side)                          |
| H10A95  | Door Jamb Strip (Horizontal)                                    |
| H11A20  | Tapping Strip for Outer Case and Hinge                          |
| H11A47  | Tapping Strip for Door and Hinge                                |
| H11A78  | Tapping Strip for Inner Liner (Horizontal)                      |
| H11A79  | Tapping Strip for Inner Liner (Vertical)                        |
| H11A80  | Tapping Strip for Shelf Supports, without Screw                 |
| H11A81  | Tapping Strip with Screw for H17A90 Shelf Support               |
| H11A82  | Tapping Strip for Outer Door Panel (Vertical, Hinge Side)       |
| H11A83  | Tapping Strip for Outer Door Panel (Horizontal)                 |
| H11A84  | Tapping Strip for Outer Door Panel (Vertical, Latch Side)       |
| H11A85  | Tapping Strip for Inner Door Panel (Vertical)                   |
| H11A86  | Tapping Strip for Inner Door Panel (Horizontal)                 |
| H11A87  | Tapping Strip for Outer Case (Horizontal)                       |
| H11A88  | Tapping Strip for Outer Case (Vertical)                         |
| H11A89  | Tapping Strip for Drawer Frame (Right-Hand Side)                |
| H11A104 | Tapping Strip for Drawer Frame (Left-Hand Side)                 |
| H12A2   | Screw Fastening Straight or Headed Shelf Support to Inner Liner |
| H12X2   | Screw for Door Strip or Door Jamb Strip                         |
| H13A60  | Gasket for Flush Cup Receptacle                                 |
| H13A142 | Rubber Bushing for Light Receptacle                             |
| H13A147 | Rubber Door Gasket  |
| H13A148 | Gasket between Latch Case and Outer Door Panel                  |
| H13A149 | Seal for Latch Handle   |
| H14A19  | Strike  |
| H14A20  | Strike Case   |
| H15A41  | Escutcheon for Door Strip and Latch Bolt                        |

- |          |  |
|----------|--|
| H15A42   | Scuff Plate for Latch Handle   |
| H15A43   | Latch Case with Bolt, Spring, Gasket and Nut                                 |
| H15A44   | Spring for Latch Case and Bolt   |
| H15A45   | Nut Fastening Latch Case and Latch Handle to Outer Door Panel                |
| H15A46   | Latch Handle   |
| H15A47   | Escutcheon Plate for Latch Handle  |
| H16A35   | Hinge with End Covers  |
| H16A36   | Cover for Hinge  |
| H17A89   | Shelf Support (Straight)   |
| H17A90   | Shelf Support (Headed)   |
| H17A91   | Shelf Support (Single Slot, 1/4" thick)                                      |
| H17A92   | Shelf Support (Single Slot, 3/8" thick)                                      |
| H17A93   | Shelf Support (Single Slot, 1/2" thick)                                      |
| H17A94   | Shelf Support (Single Slot, 5/8" thick)                                      |
| H17A95   | Shelf Support (Double Slot, 1/4" thick)                                      |
| H17A96   | Shelf Support (Double Slot, 3/8" thick)                                      |
| H17A97   | Shelf Support (Double Slot, 1/2" thick)                                      |
| H17A98   | Shelf Support (Double Slot, 5/8" thick)                                      |
| H17A99   | Shelf (Middle or Bottom)   |
| H17A101  | Shelf (Top, small)   |
| H17A105  | Stop for Shelf   |
| H17A110  | Fiber Washer for Single Slot Shelf Support                                   |
| H17A111  | Fiber Washer for Double Slot Shelf Support                                   |
| H17A130  | Shelf (Top, large)   |
| H18A3    | Washer for H12A2 Screw   |
| H18A54   | Momentary Contact Switch (Short Leads)                                       |
| H18A92   | Rivet Fastening H11A20 to Outer Case or H11A47 to Outer Door Panel           |
| H19A5    | Lamp Guard   |
| H19A6    | Retaining Spring for Momentary Contact Switch                                |
| H19A15   | Light Receptacle with Porcelain Bushing (Short Leads)                        |
| H19A18   | Lockwasher for Momentary Contact Switch                                      |
| H19A21   | Nut Fastening Momentary Contact Switch to Door Jamb Strip                    |
| H20A4    | Rivet Fastening Tapping Strip to Outer Case, Outer Door Panel or Inner Liner |
| H20A9    | Washer for Flush Cup Receptacle  |
| H20A10   | Lock Nut for Flush Cup Receptacle  |
| H20A47   | Screw for Hinge  |
| H20A60   | Screw for H20A156 or H20A157 Clips   |
| H20A117  | Lockwasher for Latch Handle Nut  |
| H20A138  | Washer for 126914 or 58X287 Screws (Fiber) (.031" thick)                     |
| H20A155  | Ice Tray Lifter Hook   |
| H20A156  | Clip for Top Cover or Unit Base (Front)                                      |
| H20A157  | Clip for Top Cover or Unit Base (Back)                                       |
| H20A159  | Screw Fastening Slotted Shelf Support to Tapping Strip                       |
| H20A160  | Speed Nut for 46X795 Glider Screw  |
| H20A168  | Washer for 126914 or 58X287 Screws (.018" thick)                             |
| H20A171* | Rubber Washer between Glider and Base Plate                                  |
| H20A172† | Rubber Stop for Storage Drawer   |
| H20A174  | Screw Fastening Storage Drawer Frame to Cabinet                              |
| H20A175† | Rubber Stop for Storage Drawer   |
| H20A230  | Washer under Scuff Plate   |
| H22A23   | Insulation for Storage Drawer Compartment (Side)                             |
| H22A27   | Insulation for Front Panel on Storage Drawer                                 |
| H27A24   | Base Plate   |
| H31A13   | Front Panel Only for Storage Drawer  |
| H31A14   | Storage Drawer without Front Panel   |
| H31A15   | Handle for Storage Drawer  |
| H31A16   | Wire Partition for Storage Drawer  |
| H31A17   | Stop for Storage Drawer (Hexagon Head)                                       |
| H31A18   | Frame with Guide Channels for Storage Drawer                                 |
| H31A19   | Guide Channel for Storage Drawer Frame (Right Hand)                          |
| H31A20   | Guide Channel for Storage Drawer Frame (Left Hand)                           |
| H31A26   | Clip for H31A13 Panel  |
| H31A27   | Roller for H31A14 Storage Drawer   |
| H31A28   | Rivet for H31A27 Roller  |
| H31A29   | Rivet for H31A19 or H31A20 Storage Drawer Guide Channels                     |
| H31A30   | Rivet for H31A29 Roller  |
| H31A31   | Stop for Storage Drawer (Countersunk Flat Head)                              |
| 11X339   | Screw Fastening Latch Case to Door Strip or Screw for Strike                 |
| 20X536   | Cap Screw Fastening Guide Channel for Storage Drawer to Frame                |
| 46X794*  | Screw Fastening Glider and Washer to Cabinet                                 |
| 46X795   | Screw Fastening Glider to Cabinet  |
| 49X556   | Flush Cup Receptacle (Short Leads)   |
| 49X972   | Porcelain Bushing for Light Receptacle                                       |
| 58X287   | Screw Fastening Front Panel to Storage Drawer or Clip to Front Panel         |
| 58X310   | Lockwasher for 11X339 Strike Screw or 126914 Screw                           |
| 58X324   | Lockwasher for H20A159 Screw   |
| 58X325   | Lockwasher for 58X326 Nut  |
| 58X326   | Nut Fastening Scuff Plate to Outer Door Panel                                |
| 126914   | Screw Fastening Handle to Storage Drawer                                     |
| 150279   | Washer for H20A174 or 58X287 Screws (.044" thick)                            |
| 150606   | Cotter Pin for H31A31 Storage Drawer Stop                                    |
| 160980   | Washer for 20X536 Screw  |
| 165736   | Washer for H20A60 Screw or Steel Washer under Scuff Plate                    |

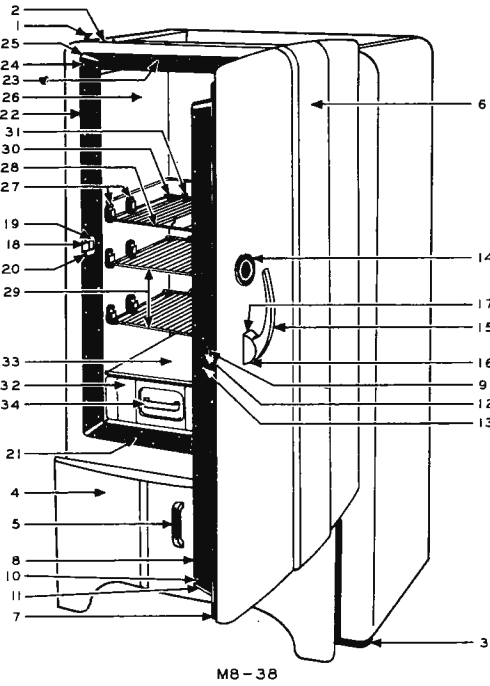
\* On early run of the above type cabinet the glider was fastened by means of a flat head screw and a rubber washer was used between the glider and base plate. For use with this glider, which has a flat surface on both sides, order Cat. No. H20A171 and 46X794.

† During the early run of the above type cabinet, four rubber bumpers for the storage drawer were inserted in front of the outer case and one on the rear side of the storage drawer. Order Catalog H20A172 for these cabinets. During the later run the cabinet has two bumpers for the storage drawer inserted in the front of the outer case and three on the rear side of the storage drawer. Order Catalog H20A175 for these cabinets.

‡ Refer to Accessories Section for parts included.

Always Give Catalog Number

# M6-38A and M8-38A—Cabinet Parts



REF. NO.	CATALOG NO.		NAME OF PART
	M6-38A	M8-38A	
1.	H20A156	H20A156	Clip for Cabinet Cover, Front
	165736	165736	Steel Washer under Clip H20A156
2.	H20A60	H20A60	Screw for H20A156, H20A157 (No. 8)
	-	69X893	Screw for H20A284 (No. 10)
	49X542	49X542	Flush Cup Receptacle
	H13A60	H13A60	Gasket for Flush Cup Receptacle
	H20A9	H20A9	Washer for Flush Cup Receptacle
	H20A10	H20A10	Locknut for Flush Cup Receptacle
3.	A2R10	A2R10	Glider for Cabinet (Left Front or Right Rear)
	A2R11	A2R11	Glider for Cabinet (Right Front or Left Rear)
	58X338	46X795	Screw Fastening Glider to Cabinet (1/4 in.-20)
	H20A160	H20A160	Speed Nut for 58X338 or 46X795
4.	H31A13	H31A21	STORAGE DRAWER FRONT PANEL, WITHOUT HANDLE OR CLIP
	58X287	58X287	Screw for Fastening Front Panel to Storage Drawer (No. 8)
	150279	150279	Washer for 58X287 (.044 in. thick)
	H20A168	H20A168	Washer for 58X287 (.018 in. thick)
	H31A15	H31A15	Handle for Storage Drawer
	126914	126914	Screw Fastening Handle to Storage Drawer (10-24)
	H20A168	H20A168	Washer for 126914
	58X310	58X310	Lockwasher for 126914
	H31A26	H31A26	Clip for H31A13, or H31A21
	58X287	58X287	Screw for H31A26 (No. 8)
	150279	150279	Washer for 58X287 (.044 in. thick)
	H20A168	H20A168	Washer for 58X287 (.018 in. thick)
	H31A14	H31A22	Storage Drawer without Front Panel
	H31A27	H31A27	Roller for Storage Drawer
	H31A28	H31A28	Rivet for H31A27
	H31A16	H31A16	Wire Partition for Storage Drawer
	H31A18	H31A23	Frame with Guide Channels for Storage Drawer
	H31A19	H31A24	Guide Channel (Right-Hand)
	H31A20	H31A25	Guide Channel (Left-Hand)
	20X536	20X536	Screw Fastening Guide Channel to Frame (1/4"-20)
	160980	160980	Washer for 20X536 (3/4 in. O.D.)
	H31A29	H31A29	Roller for Storage Drawer Guide Channel
	H31A30	H31A29	Rivet for H31A29
	H20A174	H20A174	Screw Fastening Storage Drawer Frame to Cabinet (10-30)
	150279	150279	Washer for H20A174
	H31A31	H31A31	Stop for Storage Drawer (Countersunk Flat Head)
	150606	150606	Cotter Pin for H31A31
	H20A175	H20A175	Rubber Stop for Storage Drawer
6.	H6A85	H6A87	DOOR FOR RIGHT-HAND CABINET
	H6A86	H6A88	DOOR FOR LEFT-HAND CABINET
6.	H7A104	H7A108	Outer Door Panel (Right-Hand Cabinet)
	H7A105	H7A109	Outer Door Panel (Left-Hand Cabinet)

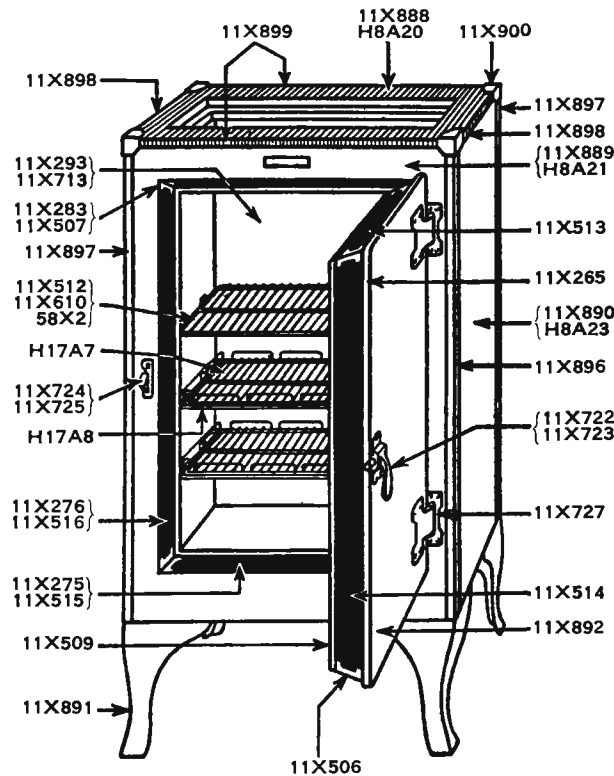
\*Refer to the Accessories Section for the Parts Included.

\*\*Use Kinsul, Cat. No. H5X20.

REF. NO.	CATALOG NO.		NAME OF PART
	M6-38A	M8-38A	
7.	H13A147	H13A150	Door Gasket
	H10A51	H10A9C	Door Strip, Top or Bottom
	H10A89	H10A56	Door Strip, Hinge Side
8.	H10A90	H10A97	Door Strip, Latch Side, with Escutcheon for Latch Bolt
9.	H15A41	H15A41	Escutcheon for Door Strip and Latch Bolt
10.	H12X2	H12X2	Screw for Door Strip (10-30)
11.	H9A25	H9A25	Door Corner
	H7A106	H7A107	Inner Door Panel
12.	H15A43	H15A43	Latch, with Gasket, Nut, and Lockwasher
	H15A44	H15A44	Spring for Latch
	H15A45	H15A45	Nut for Latch and Handle
	H13A146	H13A148	Gasket Between Latch and Outer Door Panel
	H20A117	H20A117	Lockwasher for H15A45
13.	11X335	11X335	Screw Fastening Latch to Door Strip (10-30)
14.	H15A42	H15A42	Scuff Plate and Clip for Latch Handle
	H20A251	H20A251	Rubber Washer Between Scuff Plate Clip and Outer Door
	58X326	58X326	Nut for Scuff Plate
	58X325	58X325	Lockwasher for 58X326
15.	H15A46	H15A46	Latch Handle without Escutcheon
16.	H15A47	H15A47	Escutcheon for Latch Handle
17.	H13A149	H13A149	Gasket Between Latch Handle and Door Panel
	H16A35	H16A35	Hinge with End Covers
	H16A36	H16A36	Middle Cover for Hinge
	H20A47	H20A47	Screw for Hinge (12-28)
18.	H14A19	H14A19	Strike
19.	H14A20	H14A20	Strike Case
20.	11X339	11X339	Screw for H14A19 and H14A20 (10-30)
	58X310	58X310	Lockwasher for 11X339
	1GA21H3	1GA21H3	Door Switch with 8 in. Leads
	H12X2	H12X2	Screw for 1GA21H3 (10-30)
21.	H13A161	H13A181	Fiber Gasket Between Door Switch and Door Jamb Strip
22.	H10A95	H10A102	Door Jamb Strip, Bottom
23.	H10A94	H10A101	Door Jamb Strip, Latch Side
	H10A115	H10A125	Door Jamb Strip, Top
	H10A116	H10A124	Door Jamb Strip, Hinge Side
24.	H12X2	H12X2	Screw for Door Jamb Strip (10-30)
25.	H9A26	H9A26	Door Jamb Corner
26.	H3A96	H3A101	INNER LINER WITH SHELF SUPPORTS
	H17A89	H17A89	Shelf Support, Straight (1/2 in. long)
	H17A122	H17A122	Shelf Support, Straight (3/4 in. long)
	H17A90	H17A90	Shelf Support, Heated
	H20A253	H20A253	Rubber Spacer for H17A90
	H18A3	H18A3	Washer for H17A90 (1/2 in. O.D.)
	H12A2	H12A2	Screw for Straight or Heated Shelf Support (1/4 in.-20)
27.	H17A96	H17A96	Shelf Support (Double Slot, 3/4 in. thick)
	H17A111	H17A111	Fiber Washer for Cat. H17A96
	H20A159	H20A159	Screw for Cat. H17A96 (10-30)
	58X324	58X324	Lockwasher for H20A159
	H17A129	H17A142	Shelf, Top, Small
	H17A130	H17A141	Sliding Shelf with Stop, Upper
28.	-	H17A102	Sliding Shelf with Stop, Lower or Middle
29.	-	-	Sliding Shelf with Stop, Lower
	H17A99	-	Stop for Shelf
30.	H17A105	H17A105	Removable Half Shelf, Bottom
	H17A131	H17A143	Rubber Bumper for Shelf
31.	H20A248	H20A248	Bracket for Separator Release
	H20A222	H20A222	Screw for H20A248 (No. 8)
	H20A60	H20A60	Lamp Receptacle
	78X62	78X62	Bushing for Lamp Receptacle
	H19A27	H19A27	Lamp Guard
	H19A26	H19A26	Connector for Leads
	GE3014	GE3014	UTILITY BASKET
	-	A21R57	Wire Partition for Utility Basket
	-	A21R59	Front Panel for Utility Basket
	-	A21R60	Screw Fastening Front Panel to Utility Basket (10-30)
	-	11X339	Handle for Utility Basket
	-	H30A34	Screw for H30A34 (No. 10)
	-	58X350	Fiber Washer for 58X350 (13/32 in. O.D.)
	-	179789	Wire Basket Less Front Panel and Partition
	-	A21R55	VEGETABLE DRAWER
32.	H30A35	H30A44	Pan for Vegetable Drawer
	H30A37	H30A45	Front Panel for Vegetable Drawer
	H30A38	H30A46	Washer Between Front Panel and Pan for Vegetable Drawer
32.	H20A250	H20A250	Screw for Front Panel of Vegetable Drawer (No. 10)
	58X350	58X350	Fiber Washer for 58X350 (13/32 in. O.D.)
	179789	179789	Cover for Vegetable Drawer
33.	H30A36	H30A47	Handle for Vegetable Drawer
34.	H30A34	H30A34	Center Support for Vegetable Drawer and Shelf
	H20A247	H20A257	Rubber Button for H20A247 or H20A257
	H20A249	H20A249	Cabinet Insulation (set)
	H5A211	H5A212	Insulation for Front Panel on Storage Drawer
	H22A27	H22A22	Insulation for Storage Drawer Compartment Side
	H22A23	H22A53	Accessories
	*AIR124	*AIR125	

Always Give Catalog Number

## P-55E, \*PS-65 and P-67E—Cabinet Parts



Name of Part	P-55E	PS-65	P-67E
Rubber Door Gasket (4 Pieces) . . . . .	11X265	11X265	11X265
Nameplate Screw . . . . .	H12A4	11X340	H12A4
Door Corner . . . . .	11X506	11X506	11X506
Door Jamb Corner . . . . .	11X283	11X507	11X507
Inner Door Panel . . . . .	11X509	11X509	11X509
Straight Adjustable Shelf . . . . .	11X610	11X512	58X2
Door Strip (Horizontal) . . . . .	11X513	11X513	11X513
Door Strip (Vertical) . . . . .	11X514	11X514	11X514
Door Jamb Strip (Horizontal) . . . . .	11X275	11X515	11X515
Door Jamb Strip (Vertical) . . . . .	11X276	11X516	11X516
Sliding Shelf Only . . . . .		H17A7	H17A7
Frame for Sliding Shelf . . . . .		H17A8	H17A8
Inner Liner . . . . .	11X293	11X713	11X713
Door Strip Screw . . . . .	11X339	11X785	11X339
Hardware Screw . . . . .	H12A10	11X788	H12A10
Spacer (Top Back) . . . . .		11X884	
Spacer (Top Right or Left Side) . . . . .		11X885	
Spacer (Vertical), each Corner . . . . .		11X886	
Spacer (Bottom) . . . . .		11X887	
Top Panel . . . . .	H8A20	11X888	H8A20
Front Panel (Right) . . . . .	H8A21	11X889	H8A21
Right or Left End Panel . . . . .	H8A23	11X890	H8A23
Leg . . . . .	11X891	11X891	11X891
Outer Door Panel . . . . .	11X892	11X892	11X892
Door Complete . . . . .	58X1	58X1	58X1
Door Gasket (Vertical) . . . . .	H13A15	H13A15	H13A15
Door Gasket (Horizontal) . . . . .	11X800	11X800	11X800
Front Panel (Left) . . . . .	H8A22	H8A22	H8A22
Sponge Rubber Gasket . . . . .	H13A16	11X893	11X893
Flange Gasket . . . . .		11X894	11X894
Door Trim . . . . .		11X895	
Vertical Trim (Right Front or Left Rear) . . . . .	11X896	11X896	11X896

Name of Part	P-55E	PS-65	P-67E
Vertical Trim (Left Front or Right Rear) . . . . .	11X897	11X897	11X897
Top Trim (Right or Left Side) . . . . .	11X898	11X898	11X898
Top Trim (Front or Back) . . . . .	11X899	11X899	11X899
Top Corner Cap . . . . .	11X900	11X900	11X900
Washer (Hinge) . . . . .	H18A23	11X901	H18A23
Washer (Leg) . . . . .	11X902	11X902	11X902
Washer (Strike) . . . . .	11X903	11X903	11X903
Washer (Latch) . . . . .	H18A24	11X904	H18A24
Hinge Shim (.080" thick) . . . . .	H18A25	H18A25	H18A25
Hinge Shim (.060" thick) . . . . .		11X906	
Latch Shim . . . . .	H18A26	11X907	H18A26
Trim Screw, Side . . . . .	11X908	11X908	11X908
Trim Screw, Top Corner . . . . .	11X909	11X909	11X909
Trim Screw, Side, Oversize . . . . .	11X910	11X910	11X910
Trim Screw, Top Corner, Oversize . . . . .		11X911	
Hinge . . . . .	11X727	11X727	11X727
Latch (Left Hand) . . . . .	11X723	11X723	11X723
Latch (Right Hand) . . . . .	11X722	11X722	11X722
Strike (Left Hand) . . . . .	11X725	11X725	11X725
Strike (Right Hand) . . . . .	11X724	11X724	11X724
Strike Shim . . . . .	H18A27	H18A27	H18A27
Washer for Top Panel Screw . . . . .	H18A19	H18A19	H18A19
Cap Screw for Leg . . . . .	H12A9	H12A9	H12A9
Washer for H12A9 Screw . . . . .	H18A22	H18A22	H18A22
Spacer for Leg . . . . .	H18A21	H18A21	H18A21
Washer for Nameplate Screw . . . . .	H18A28	H18A28	H18A28
Rubber Seal for Door Jamb Strip . . . . .	H13A17	H13A18	H13A18
Insulation (Set) . . . . .	11X812	11X815	11X815
Top Shelf (Offset at End) . . . . .	11X533		
†Adapter Panel Assembly (CK-2 Units) . . . . .	H20A134	H20A134	H20A134

\* First cabinets known as PS-62 or PSS-62 with Symbol SE or SSE. First cabinets had three straight adjustable shelves 11X512.

† Refer to Installation and Service Material Section of Catalog for Parts of this assembly.

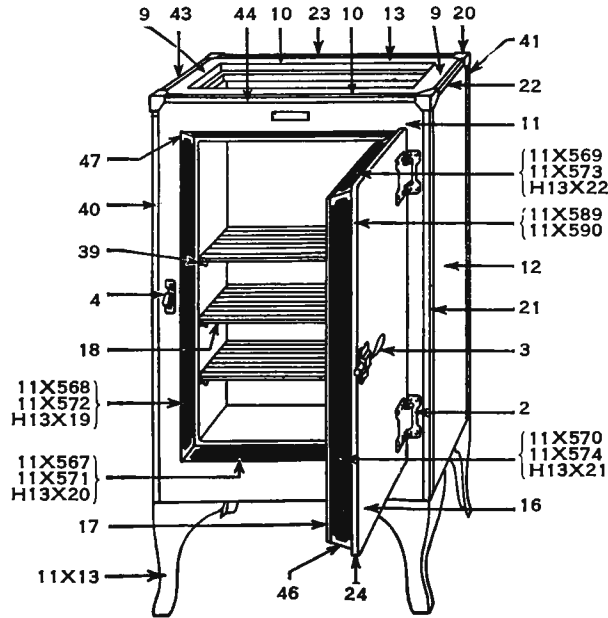
Note: The accessories furnished depend on the unit used. Refer to the Accessories Section.

Always Give Catalog Number

# PS-5, PS-55, P-55S, PS-6 and PS-7 — Cabinet Parts

Order by part number, giving symbol and serial number of cabinet  
when no catalog number is shown

Refer to last three pages of this section for information on Hardware and Shelves for these Cabinets.



Name of Part	PS-5	PS-55	P-55S	PS-6	PS-7
Top Panel (Right or Left End).....	PS5-9	PS55-9	P55S-9	PS6-9	PS7-9
Top Panel (Front or Rear).....	PS5-10	PS55-10	P55S-10	PS6-10	PS7-10
Front Panel.....	PS5-11	PS55-11	P55S-11	PS6-11	PS7-11
Side Panel (Right).....	PS5-12	PS55-12	P55S-12	PS6-12	PS7-12
Side Panel (Left).....	PS5-45	PS55-45	P55S-45	PS6-45	PS7-45
Top Panel Complete.....	PS5-13	PS55-13	P55S-13	PS6-13	PS7-13
Outer Door Panel.....	PS5-16	PS55-16	P55S-16	PS6-16	PS7-16
Inner Door Panel.....	PS5-17	PS55-17	P55S-17	PS6-17	PS7-17
Liner.....	PS5-15	PS55-15	P55S-15	PS6-15	PS7-15
Metal Corner.....	PS5-20	PS55-20	P55S-20	PS6-20	PS7-20
Metal Stile (Right Front).....	PS5-21	PS55-21	P55S-21	PS6-21	PS7-21
Metal Stile (Left Front).....	PS5-40	PS55-40	P55S-40	PS6-40	PS7-40
Metal Stile (Right Rear).....	PS5-41	PS55-41	P55S-41	PS6-41	PS7-41
Metal Stile (Left Rear).....	PS5-42	PS55-42	P55S-42	PS6-42	PS7-42
Metal Trim (Right Top).....	PS5-22	PS55-22	P55S-22	PS6-22	PS7-22
Metal Trim (Top Rear).....	PS5-23	PS55-23	P55S-23	PS6-23	PS7-23
Metal Trim (Left Top).....	PS5-43	PS55-43	P55S-43	PS6-43	PS7-43
Metal Trim (Top Front).....	PS5-44	PS55-44	P55S-44	PS6-44	PS7-44
Door Complete.....	PS5-24	PS55-24	P55S-24	PS6-24	PS7-24
Shelf Hook.....	PS5-39	PS55-39	P55S-39	PS6-39	PS7-39
Door Corner.....	PS5-46	PS55-46	P55S-46	PS6-46	PS7-46
Door Jamb Corner.....	PS5-47	PS55-47	P55S-47	PS6-47	PS7-47
Leg (Unwiped).....	11X13	11X13	11X13	11X13	11X13
Door Jamb Strip (Horizontal).....	11X567	11X567	11X567	H13X20	11X571
Door Jamb Strip (Vertical).....	11X568	11X568	11X568	H13X19	11X572
Door Strip (Horizontal).....	11X569	11X569	11X569	H13X22	11X573
Door Strip (Vertical).....	11X570	11X570	11X570	H13X21	11X574
Door Gasket Complete.....	11X589	11X589	11X589	11X589	11X590
Sponge Rubber Gasket.....	11X517	11X517	11X517	11X517	11X517

Note: Refer to Installation and Service Material Section of Catalog for Adapter Panel Assembly to use CK-2 Units in these Cabinets.

Note: The accessories furnished depend on the unit used. Refer to the Accessories Section.

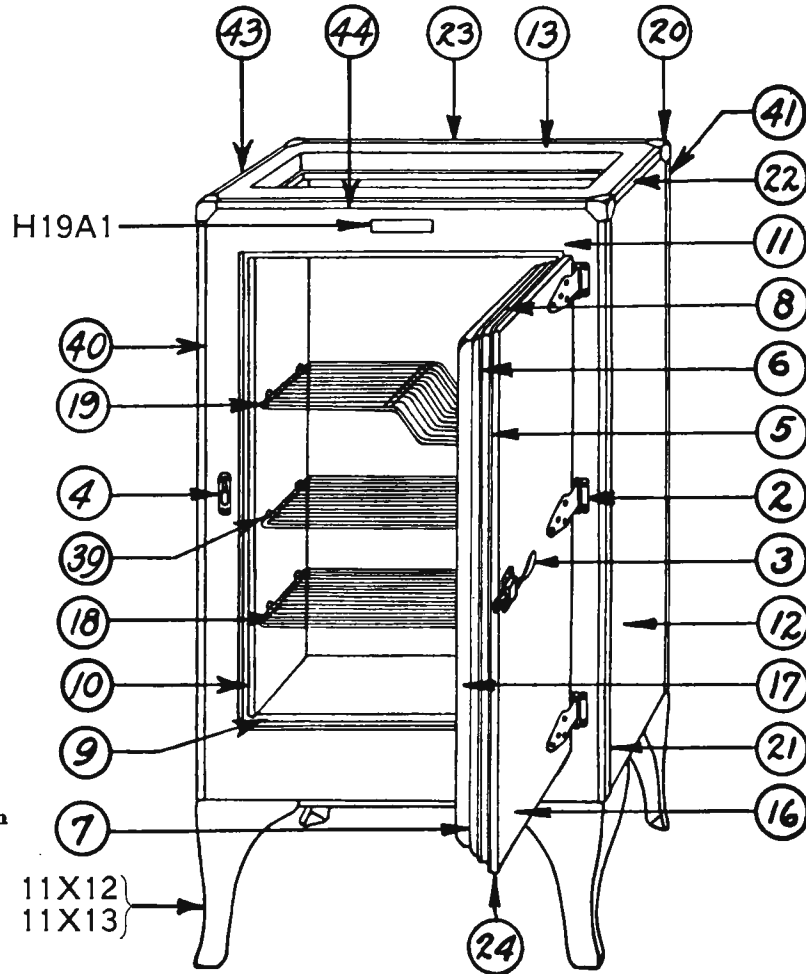
Always Give Catalog Number



# One Piece Front, One Door Porcelain or Lacquer Model

Order by part number,  
giving symbol and  
serial number  
of cabinet

Refer to last three pages of this section  
for information on Hardware, Shelves  
and Door Gaskets for these Cabinets.



Name of Part	P-4	RT-5	P-5	RT-7	P-7
Sponge Rubber Gasket	H1X11	11X6	11X6	11X6	11X6
Leg	*11X13	11X12	*11X13	11X12	*11X13
Front Panel	P4-11	RT5-11	P5-11	RT7-11	P7-11
Side Panel (Right)	P4-12	RT5-12	P5-12	RT7-12	P7-12
Side Panel (Left)	P4-45	RT5-45	P5-45	RT7-45	P7-45
Top Panel	P4-13	RT5-13	P5-13	RT7-13	P7-13
Inner Liner	P4-15	RT5-15	P5-15	RT7-15	P7-15
Outer Door Panel	P4-16		P5-16	RT7-16	P7-16
Inner Door Panel	P4-17	RT5-17	P5-17	RT7-17	P7-17
Metal Corner	P4-20	RT5-20	P5-20	RT7-20	P7-20
Metal Stile (Right Front)	P4-21	RT5-21	P5-21	RT7-21	P7-21
Metal Stile (Left Front)	P4-40	RT5-40	P5-40	RT7-40	P7-40
Metal Stile (Right Rear)	P4-41	RT5-41	P5-41	RT7-41	P7-41
Metal Stile (Left Rear)	P4-42	RT5-42	P5-42	RT7-42	P7-42
Metal Trim (Right Top)	P4-22	RT5-22	P5-22	RT7-22	P7-22
Metal Trim (Top Rear)	P4-23	RT5-23	P5-23	RT7-23	P7-23
Metal Trim (Left Top)	P4-43	RT5-43	P5-43	RT7-43	P7-43
Metal Trim (Top Front)	P4-44	RT5-44	P5-44	RT7-44	P7-44
Complete Door	P4-24	RT5-24	P5-24	RT7-24	P7-24
Shelf Hooks	P4-39	RT5-39	P5-39	RT7-39	P7-39

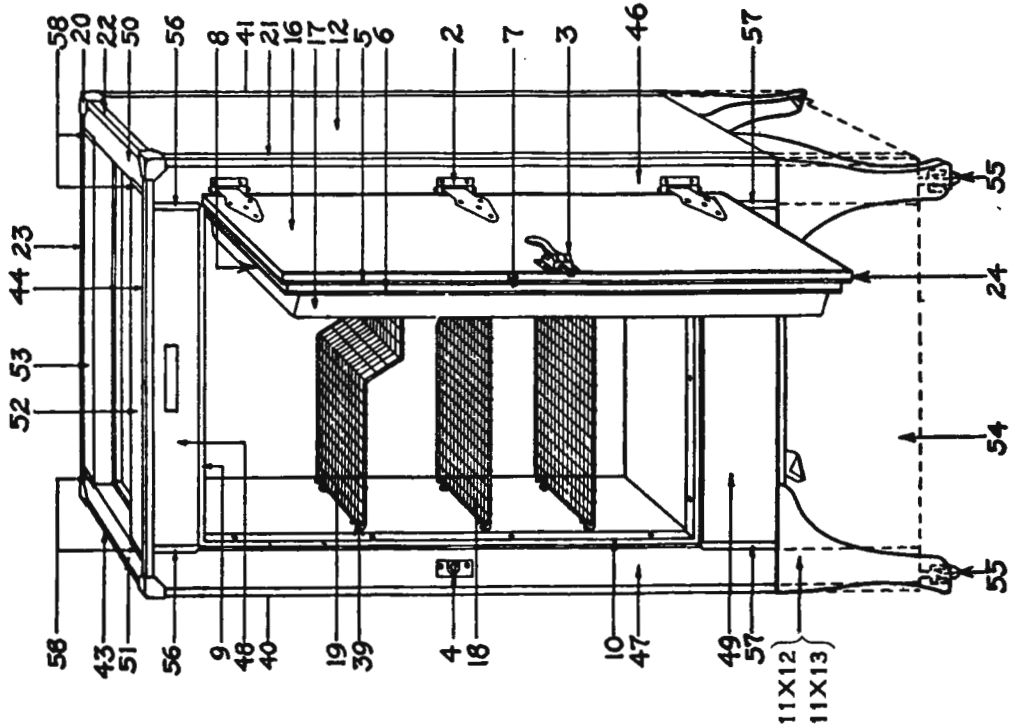
\* Specify leg as unwiped.

Note: Refer to Installation and Service Material Section of Catalog for Adapter Panel Assembly to use CK-2 Units in these Cabinets.  
Note: The accessories furnished depend on the unit used. Refer to the Accessories Section.

Always Give Catalog Number

# Four Panel Front and Base Type—One Door Porcelain or Lacquer Model

Order by part number, giving symbol and serial number of cabinet



Refer to last three pages of this section for information on Hardware, Shelves and Door Gaskets for these Cabinets

Name of Part	RT-5	PB-5	P-5	RB-7	RT-7	PB-7	P-7
Sponge Rubber Gasket.....	11X6	11X6	11X6	11X6	11X6	11X6	11X6
Leg.....	11X12	*11X13	*11X13	11X12	11X12	*11X13	*11X13
Side Panel (Left).....	RT5-45	PB5-45	P5-45	RB7-45	RT7-45	PB7-45	P7-45
Side Panel (Right).....	RT5-12	PB5-12	P5-12	RB7-12	RT7-12	PB7-12	P7-12
Inner Liner.....	RT5-15	PB5-15	P5-15	RB7-15	RT7-15	PB7-15	P7-15
Outer Door Panel.....	RT5-16	PB5-16	P5-16	RB7-16	RT7-16	PB7-16	P7-16
Inner Door Panel.....	RT5-17	PB5-17	P5-17	RB7-17	RT7-17	PB7-17	P7-17
Metal Corner.....	RT5-20	PB5-20	P5-20	RB7-20	RT7-20	PB7-20	P7-20
Metal Stile (Right Front).....	RT5-21	PB5-21	P5-21	RB7-21	RT7-21	PB7-21	P7-21
Metal Stile (Left Front).....	RT5-40	PB5-40	P5-40	RB7-40	RT7-40	PB7-40	P7-40
Metal Stile (Right Rear).....	RT5-41	PB5-41	P5-41	RB7-41	RT7-41	PB7-41	P7-41
Metal Stile (Left Rear).....	RT5-42	PB5-42	P5-42	RB7-42	RT7-42	PB7-42	P7-42
Metal Trim (Left Top).....	RT5-22	PB5-22	P5-22	RB7-22	RT7-22	PB7-22	P7-22
Metal Trim (Top Rear).....	RT5-23	PB5-23	P5-23	RB7-23	RT7-23	PB7-23	P7-23
Metal Trim (Right Top).....	RT5-43	PB5-43	P5-43	RB7-43	RT7-43	PB7-43	P7-43
Metal Trim (Left Top).....	RT5-44	PB5-44	P5-44	RB7-44	RT7-44	PB7-44	P7-44
Complete Door.....	RT5-24	PB5-24	P5-24	RB7-24	RT7-24	PB7-24	P7-24
Shelf Hook.....	RT5-39	PB5-39	P5-39	RB7-39	RT7-39	PB7-39	P7-39
Right Front Panel.....	RT5-46	PB5-46	P5-46	RB7-46	RT7-46	PB7-46	P7-46
Left Front Panel.....	RT5-47	PB5-47	P5-47	RB7-47	RT7-47	PB7-47	P7-47
Top Front Panel.....	RT5-48	PB5-48	P5-48	RB7-48	RT7-48	PB7-48	P7-48
Bottom Front Panel.....	RT5-49	PB5-49	P5-49	RB7-49	RT7-49	PB7-49	P7-49
Right Top Plate.....	RT5-50	PB5-50	P5-50	RB7-50	RT7-50	PB7-50	P7-50
Left Top Plate.....	RT5-51	PB5-51	P5-51	RB7-51	RT7-51	PB7-51	P7-51
Front Top Plate.....	RT5-52	PB5-52	P5-52	RB7-52	RT7-52	PB7-52	P7-52
Rear Top Plate.....	RT5-53	PB5-53	P5-53	RB7-53	RT7-53	PB7-53	P7-53
Base.....	RT5-54	PB5-54	P5-54	RB7-54	RT7-54	PB7-54	P7-54
Castor.....	RT5-55	PB5-55	P5-55	RB7-55	RT7-55	PB7-55	P7-55
Upper Front Strap.....	RT5-56	PB5-56	P5-56	RB7-56	RT7-56	PB7-56	P7-56
Lower Front Strap.....	RT5-57	PB5-57	P5-57	RB7-57	RT7-57	PB7-57	P7-57
Top Horizontal Strap.....	RT5-58	PB5-58	P5-58	RB7-58	RT7-58	PB7-58	P7-58

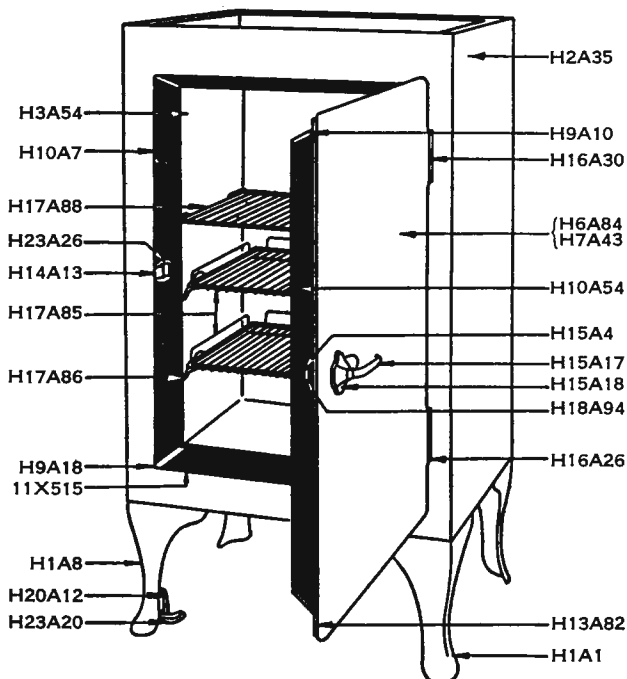
\* Specify leg as unwiped.

Note: Refer to Installation and Service Material Section of Catalog for Adapter Panel Assembly to use CK-2 Units in these cabinets.

Note: The accessories furnished depend on the unit used. Refer to the Accessories Section.



## MP-6C—Cabinet Parts

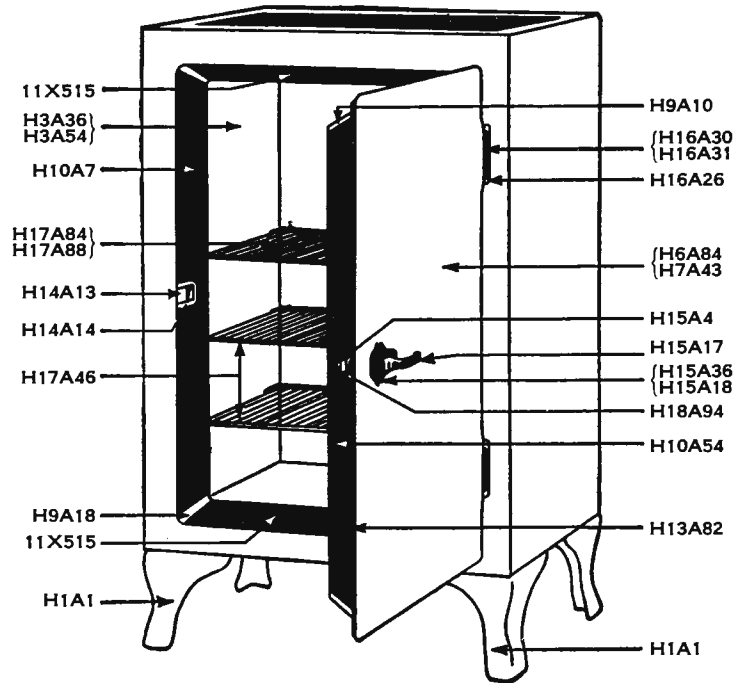


A1R56†	Accessories	H17A85	Sliding Shelf (Middle or Bottom)
H1A1	Leg without Bracket (11 $\frac{1}{8}$ "	H17A86	Sliding Shelf Frame
H1A8	Leg with Bracket (11 $\frac{1}{8}$ "	H17A88	Shelf (Top)
H1A9	Leg with Bracket (5 $\frac{3}{8}$ "	H18A3	Washer for H12A2 Screw
H2A35	Outer Case (Right-Hand Cabinet)	H18A18	Washer for H12A9 Screw
H2A36	Outer Case (Left-Hand Cabinet)	H18A22	Washer for Short Leg
H3A54	Inner Liner with Shelf Supports	H18A43	Fiber Washer between Leg and Outer Case
H5A121	Cabinet Insulation (Set)	H18A54	Momentary Contact Switch with Leads
H6A84	Door Complete	H18A92	Rivet for H11A20, H11A47 or H11A48 Tapping Strip
H7A43	Outer Door Panel	H18A94	Escutcheon Plate for Door Strip (Latch Side)
H9A10	Door Corner	H18A102	Tapping Strip for Door (Outer, Horizontal)
H9A18	Door Jamb Corner	H18A103	Tapping Strip for Door (Outer, Vertical)
H10A7	Door Jamb Strip (Vertical, Latch Side)	H19A5	Lamp Guard
H10A54	Door Strip (Vertical, Latch Side, with Escutcheon Plate)	H19A6	Spring for H18A54 Switch
H10A55	Door Strip (Vertical, Hinge Side)	H19A15	Light Receptacle with Retaining Ring and Short Leads
H10A56	Door Strip (Horizontal)	H20A4	Rivet for Tapping Strips
H10A87	Door Jamb Strip (Vertical, Hinge Side, Right-Hand Cabinet)	H20A9	Retaining Washer for 49X542 Receptacle
H10A88	Door Jamb Strip (Vertical, Hinge Side, Left-Hand Cabinet)	H20A10	Lock Nut for 49X542 Receptacle
H11A1	Tapping Strip for Inner Liner (Vertical)	H20A12	Guard for Leg
H11A2	Tapping Strip for Inner Liner (Horizontal)	H20A47	Screw for Hinge
H11A3	Tapping Strip for Door (Inner, Vertical)	H20A48	Screw for Sealing Cup and Gasket
H11A4	Tapping Strip for Door (Inner, Horizontal)	H20A56	Gasket between Hinge and Door, or between Hinge and Outer Case
H11A20	Tapping Strip for Outer Case and Hinge	H20A98	Tray Lifter Hook
H11A41	Tapping Strip for Outer Case (Vertical)	H23A20	Foot Pedal with Hinge, Bolt, Nut and Washer
H11A47	Tapping Strip for Door and Hinge	H23A21	Ball Joint Connector
H11A48	Tapping Strip for Door and Latch	H23A22	Lock Nut for H23A21 Connector
H11A50	Tapping Strip for Outer Case (Horizontal)	H23A23	Connecting Rod (Lower) for use with Long Leg
H12A2	Screw for Shelf Support	H23A24	Sealing Cup with Rod
H12A9	Cap Screw for Leg	H23A26	Strike Case with Plunger (Right-Hand Cabinet)
H12X2	Screw for Door Strip or Door Jamb Strip	H23A27	Strike Case with Plunger (Left-Hand Cabinet)
H13A59	Gasket for Sealing Cup	H23A30	Connecting Rod (Lower) for use with Short Leg
H13A60	Gasket for 49X542 Receptacle	H23A58	Foot Pedal Door Opener
H13A82	Rubber Door Gasket	H23A59	Connecting Rod (Upper)
H13A83	Gasket between Hinge Tapping Strip and Outer Door Panel	89943	Nut for Foot Pedal Bolt
H13A142	Rubber Bushing for Light Receptacle	144066	Screw for Latch
H14A13	Strike	11X11	Leg without Bracket (5 $\frac{3}{8}$ "
H15A4	Latch Bolt with Rivet	11X339	Screw for Strike
H15A17	Latch	11X509	Inner Door Panel
H15A18	Escutcheon Plate for Latch	11X515	Door Jamb Strip (Horizontal)
H15A55	Latch Handle Spring	49X542	Flush Cup Receptacle with Leads
H15A56	Latch Handle Pin	49X972	Retaining-Ring for Light Receptacle
H16A26	Hinge	58X310	Lockwasher for Strike Screw
H16A27	Opening Spring Cartridge for Hinge	61X327	Lockwasher for 89943 Nut
H16A28	Retarding Spring Cartridge for Hinge	GE3014	Connector for Leads
H16A30	Cover for Hinge		
H17A1	Shelf Support		

† Refer to Accessories Section for parts included.

Always Give Catalog Number

## SMP-66A, SMP-66C—Cabinet Parts



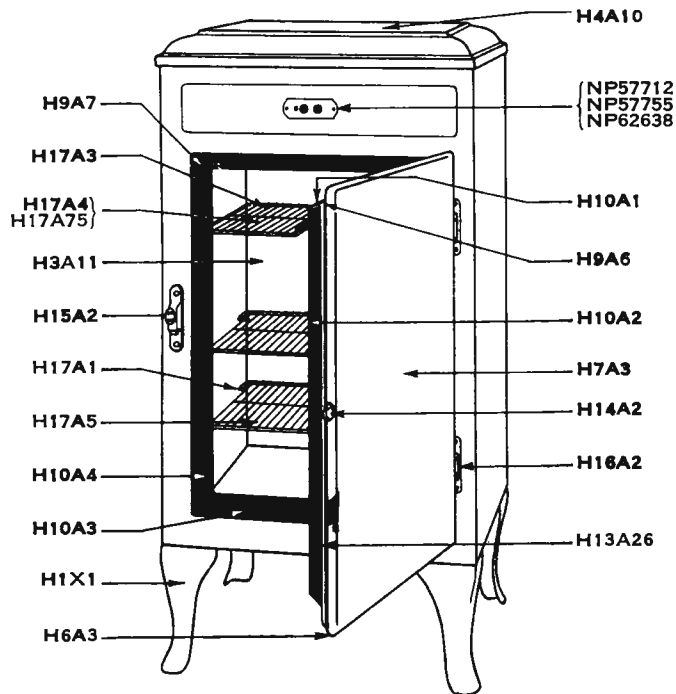
Name of Part	Cat. No.	
	SMP-66A	SMP-66C
†Accessories (with CK-15A Unit)	A1R71	A1R71
†Accessories (with CK-2C Unit)	A1R72	A1R72
Leg (1 1/4")	H1A1	H1A1
Outer Case (Right-Hand Cabinet)	H2A37	H2A37
Outer Case (Left-Hand Cabinet)	H2A38	H2A38
Inner Liner with Shelf Supports	H3A36	H3A54
Cabinet Insulation (Set)	H5A121	H5A121
Door Complete	H6A84	H6A84
Door Jamb Corner	H7A43	H7A43
Door Corner	H9A10	H9A10
Door Jamb Strip	H9A18	H9A18
Door Strip (Vertical, Latch Side)	H10A7	H10A7
Door Strip (Vertical, Latch Side) with Escutcheon Plate	H10A54	H10A54
Door Strip (Vertical, Hinge Side)	H10A55	H10A55
Door Strip (Horizontal)	H10A56	H10A56
Door Jamb Strip (Vertical, Hinge Side, Right-Hand Cabinet)	H10A87	H10A87
Door Jamb Strip (Vertical, Hinge Side, Left-Hand Cabinet)	H10A88	H10A88
Tapping Strip for Inner Liner (Vertical)	H11A1	H11A1
Tapping Strip for Inner Liner (Horizontal)	H11A2	H11A2
Tapping Strip for Door (Inner, Vertical)	H11A3	H11A3
Tapping Strip for Door (Inner, Horizontal)	H11A14	H11A14
Tapping Strip for Hinge and Outer Case	H11A20	H11A20
Tapping Strip for Outer Case (Vertical)	H11A41	H11A41
Tapping Strip for Door and Hinge	H11A47	H11A47
Tapping Strip for Door and Latch	H11A48	H11A48
Tapping Strip for Outer Case (Horizontal)	H11A50	H11A50
Screw for Shelf Support	H12A2	H12A2
Cap Screw for Leg	H12A9	H12A9
Screw for Door Strip or Door Jamb Strip	H12X2	H12X2
Gasket for 49X542 Receptacle	H13A60	H13A60
Rubber Door Gasket	H13A82	H13A82
Gasket between Hinge Tapping Strip and Outer Door Panel	H13A83	H13A83
Rubber Bushing for Light Receptacle	H13A142	H13A142
Strike	H14A13	H14A13
Strike Case	H14A14	H14A14
Latch Bolt with Rivet	H15A4	H15A4
Latch	H15A17	H15A17
Escutcheon Plate for Latch (Chrome Finish)	H15A18	H15A18
Escutcheon Plate for Latch (Black Dulux Finish)	H15A36	H15A36

† Refer to Accessories Section for parts included.

Name of Part	Cat. No.	
	SMP-66A	SMP-66C
Latch Handle Spring	H15A55	H15A55
Latch Handle Pin	H15A56	H15A56
Hinge	H16A26	H16A26
Cover for Hinge (Bright Chrome Finish)	H16A30	H16A30
Cover for Hinge (Black Dulux Finish)	H16A31	H16A31
Shelf Support	H17A1	H17A1
Shelf (Middle or Bottom)	H17A46	H17A46
Shelf (Top) (CK-15 Unit)	H17A84	H17A84
Shelf (Top) (CK-2 Unit)	H17A88	H17A88
Washer for H12A2 Screw	H18A3	H18A3
Steel Washer for H20A15 or H12A9 Screws	H18A18	H18A18
Washer for Short Leg	H18A22	H18A22
Fiber Washer between Leg and Outer Case	H18A43	H18A43
Momentary Contact Switch with Leads	H18A54	H18A54
Rivet for H11A20, H11A47 or H11A48 Tapping Strips	H18A92	H18A92
Escutcheon Plate for Latch Bolt	H18A94	H18A94
Tapping Strip for Door (Outer, Horizontal)	H18A102	H18A102
Tapping Strip for Door (Outer, Vertical)	H18A103	H18A103
Lamp Guard	H19A4	H19A5
Spring for H18A54 Switch	H19A6	H19A6
Light Receptacle with Retaining Ring and Short Leads		H19A15
Rivet for Tapping Strips	H20A4	H20A4
Speed Nut for 49X563 Receptacle	H20A8	
Retaining Washer for 49X542 Receptacle	H20A9	H20A9
Lock Nut for 49X542 Receptacle	H20A10	H20A10
Cap Screw for Leg	H20A15	H20A15
Screw for Hinge	H20A47	H20A47
Gasket between Hinge and Door or between Hinge and Outer Case	H20A56	H20A56
Tray Lifter Hook	H20A98	H20A98
Screw for Latch	144066	144066
Leg (5 3/4")	11X11	11X11
Screw for Strike	11X339	11X339
Inner Door Panel	11X509	11X509
Door Jamb Strip (Horizontal)	11X515	11X515
Flush Cup Receptacle with Leads	49X542	49X542
Light Receptacle with Leads	49X789	
Retaining Ring for Light Receptacle		49X972
Lockwasher for Strike Screw	58X310	58X310
Connector for Leads	GE3014	GE3014

Always Give Catalog Number

## HE-7A—Cabinet Parts

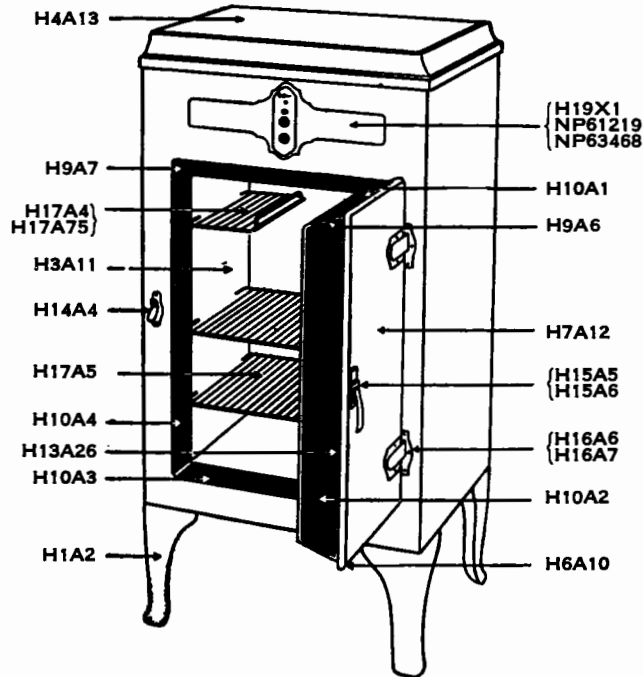


A1R9†	Accessories	H17A3	Shelf Support (Headed)
H1X1	Leg	H17A4	Shelf (Top)
H3A11	Inner Liner with Shelf Supports	H17A5	Shelf (Center and Lower)
H4A10	Cover for Cabinet	H17A71	Shelf (Center) (Used with CB-3D Unit)
H5A23	Cabinet Insulation (Set)	H17A75	Shelf (Top) (Used with CB-3D Unit)
H5A24	Insulation for Top Cover	H18A2	Spacer for Escutcheon Plate
H6A3	Door Complete	H18A3	Washer for H12A2 Screw
H7A3	Outer Door Panel	H18A18	Washer for H20A15 Cap Screw
H9A6	Door Corner	H18A19	Washer for H12A12 Cap Screw
H9A7	Door Jamb Corner	H18A34	Nut for Latch Screw
H10A1	Door Strip (Horizontal)	H18A36	Support for Unit
H10A2	Door Strip (Vertical)	H18A48	Nut for 11X909 Screw
H10A3	Door Jamb Strip (Horizontal)	H18A49	Washer for 11X909 Screw
H10A4	Door Jamb Strip (Vertical)	H18A62	Spring Clip for Cover
H12A2	Screw for Shelf Support	H20A15	Cap Screw for Leg
H12A10	Hardware Screw	H22A17	Acoustic Insulation for Front of Unit Case
H12A12	Screw for Ventilating Duct	H22A18	Acoustic Insulation for Right or Left Side of Unit Case
H12A18	Ventilating Duct	H22A19	Acoustic Insulation (Lower) for Vent. Duct
H12X2	Screw for Door and Door Jamb Strip	H22A20	Acoustic Insulation (Upper) for Vent. Duct
H13A26	Rubber Door Gasket	11X340	Screw for H18A62 Clip
H13A27	Gasket for Leg	11X509	Inner Door Panel
H13A28	Gasket between Cover and Cabinet	11X909	Screw for Escutcheon Plate
H13A29	Gasket for Unit Support	C20A273	Sponge Gasket for Cabinet Cover (Used with CB-3D Unit)
H13A30	Gasket for Inner Liner	NP57712	Escutcheon Plate (Non-Defrost-off position at top)
H13A38	Gasket for Strike Cover and Door	NP57755	Escutcheon Plate (Defrost)
H13A39	Side Gasket for Cover	NP62638	Escutcheon Plate (Non-Defrost-off position at bottom)
H13X4	Spacer between Cover and Cabinet		
H14A2	Strike		
H15A2	Latch		
H16A2	Hinge		
H17A1	Shelf Support (Straight)		

† Refer to Accessories Section for parts included.

Always Give Catalog Number

## HE-7B—Cabinet Parts

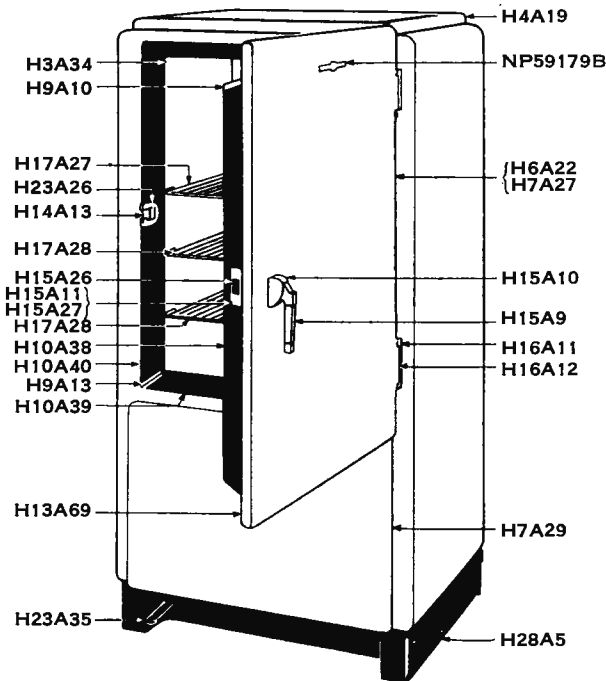


- |        |                                    |         |  |
|--------|------------------------------------|---------|--|
| A1R15† | Accessories                        | H17A3   | Shelf Support (Headed)                                 |
| H1A2   | Leg                                | H17A4   | Shelf (Top)  |
| H3A11  | Inner Liner with Shelf Supports    | H17A5   | Shelf (Center and Lower)                               |
| H4A13  | Cover for Cabinet                  | H17A71  | Shelf (Center) (Used with CB-3D Unit)                  |
| H5A25  | Cabinet Insulation (Set)           | H17A75  | Shelf (Top) (Used with CB-3D Unit)                     |
| H5A26  | Insulation for Top Cover           | H18A2   | Washer for Escutcheon Plate                            |
| H6A10  | Door Complete                      | H18A3   | Washer for H12A2 Screw                                 |
| H7A12  | Outer Door Panel                   | H18A18  | Washer for H20A15 Cap Screw                            |
| H9A6   | Door Corner                        | H18A19  | Washer for H12A12 Screw                                |
| H9A7   | Door Jamb Corner                   | H18A48  | Nut for 11X909 Screw                                   |
| H10A1  | Door Strip (Horizontal)            | H18A49  | Washer for 11X909 Screw                                |
| H10A2  | Door Strip (Vertical)              | H18A59  | Shim for Hinge   |
| H10A3  | Door Jamb Strip (Horizontal)       | H18A60  | Shim for Latch   |
| H10A4  | Door Jamb Strip (Vertical)         | H18A61  | Support for Unit                                       |
| H12A2  | Screw for Shelf Support            | H18A62  | Spring Clip for Cover                                  |
| H12A12 | Screw for Ventilating Duct         | H19X1   | Escutcheon Plate (Non-Defrost-off position on right)   |
| H12A18 | Ventilating Duct                   | H20A15  | Cap Screw for Leg                                      |
| H12X2  | Screw for Door and Door Jamb Strip | H22A17  | Acoustic Insulation for Front of Unit Case             |
| H13A26 | Rubber Door Gasket                 | H22A18  | Acoustic Insulation for Side of Unit Case              |
| H13A27 | Gasket for Leg                     | H22A19  | Acoustic Insulation (Lower) for Vent. Duct             |
| H13A29 | Gasket for Unit Support            | H22A20  | Acoustic Insulation (Upper) for Vent. Duct             |
| H13A30 | Gasket for Inner Liner             | 11X340  | Screw for H18A62 Spring Clip                           |
| H13A50 | Top Gasket for Cover               | 11X509  | Inner Door Panel                                       |
| H13A51 | Side Gasket for Cover              | 11X909  | Screw for Escutcheon Plate                             |
| H13X4  | Spacer between Cover and Cabinet   | 58X76   | Hardware Screw   |
| H14A4  | Strike                             | C20A273 | Sponge Gasket for Cabinet Cover (Used with CB-3D Unit) |
| H15A5  | Latch (Right)                      | NP61219 | Escutcheon Plate (Defrost)                             |
| H15A6  | Latch (Left)                       | NP63468 | Escutcheon Plate (Non-Defrost-off position on left)    |
| H16A6  | Hinge (Right)                      |         |  |
| H16A7  | Hinge (Left)                       |         |  |
| H17A1  | Shelf Support (Straight)           |         |  |

† Refer to Accessories Section for parts included.

Always Give Catalog Number

## F-7A—Cabinet Parts

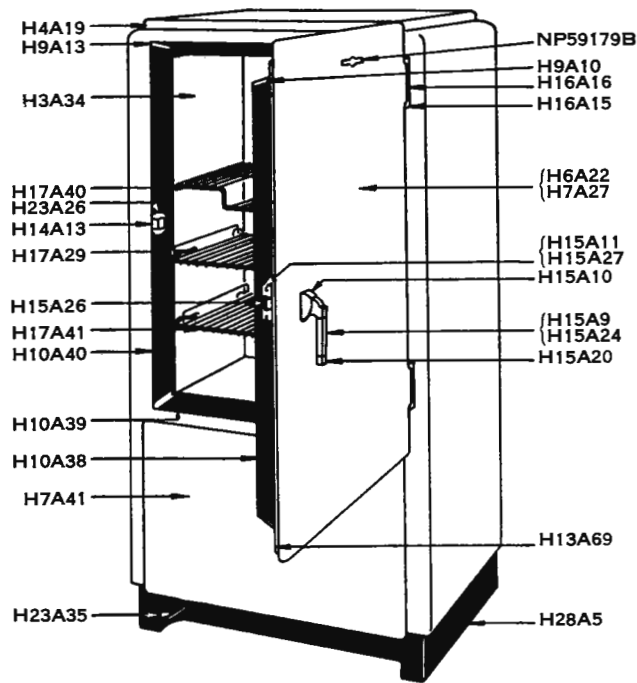


- |         |   |          |  |
|---------|---|----------|--|
| A1R29†  | Accessories   | H17A27   | Top Shelf  |
| C20A82  | Rubber Gasket between Inner Liner Cover and Washer    | H17A28   | Sliding Shelf  |
| C20A83  | Washer for C20A109 Screw                              | H17A29   | Frame for Sliding Shelf  |
| C20A86  | Spacer between Evaporator and Inner Liner Cover       | H17A40   | Special Top Shelf (CF-2C Unit)                                 |
| C20A109 | Screw Fastening Evaporator to Inner Liner Cover       | H18A3    | Fiber Washer (1/2" O.D.) for H12A2 Screw                       |
| H3A24   | Inner Liner Cover                                     | H18A18   | Washer for H20A15 or H20A22 Cap Screw                          |
| H3A30   | Special Liner Cover (CM-33 Unit Replacement)          | H18A54   | Momentary Contact Switch with Leads                            |
| H3A34   | Inner Liner with Shelf Supports                       | H18A92   | Rivet for Hinge Tapping Strip                                  |
| H4A19   | Cabinet Cover   | H19A4    | Lamp Guard   |
| H5A43   | Cabinet Insulation (Set)                              | H20A4    | Rivet for Tapping Strip  |
| H5A44   | Insulation for Inner Liner Cover                      | H20A6    | Screw for Nameplate Clip                                       |
| H5A45   | Insulation for Refrigerating Machine Compartment Door | H20A8    | Speed Nut for 49X563 Receptacle                                |
| H5A46   | Insulation for Refrigerating Machine Compartment      | H20A13   | Clip for Skirt and Base  |
| H6A22   | Door Complete (Right-Hand Cabinet)                    | H20A14   | Clip for Cover (Front)   |
| H6A23   | Door Complete (Left-Hand Cabinet)                     | H20A15   | Cap Screw Fastening Refrigerating Machine Base to Cabinet Base |
| H7A26   | Inner Door Panel                                      | H20A16   | Screw Fastening Inner Liner Cover to Inner Liner               |
| H7A27   | Outer Door Panel (Right-Hand Cabinet)                 | H20A18   | Clip for Cover (Back)  |
| H7A28   | Outer Door Panel (Left-Hand Cabinet)                  | H20A20   | Rubber Spacer for Channel                                      |
| H7A29   | Door Panel with Catches for Refr. Mach. Compartment   | H20A21   | Spring for Cabinet Door  |
| H9A10   | Door Corner   | H20A22   | Cap Screw Fastening Cabinet to Base                            |
| H9A13   | Door Jamb Corner                                      | H20A23   | Shim for Base  |
| H10A36  | Door Strip (Horizontal)                               | H20A24   | Shim Support   |
| H10A37  | Door Strip (Vertical, Hinge Side)                     | H20A46   | Clamp for Tubing   |
| H10A38  | Door Strip (Vertical, Latch Side)                     | H20A61   | Spring Clip for Refr. Mach. Compartment Panel                  |
| H10A39  | Door Jamb Strip (Horizontal)                          | H20A66   | Screw for Latch Handle Thimble                                 |
| H10A40  | Door Jamb Strip (Vertical, Latch Side)                | H20A178* | Set of Parts for Installing CF-2 Unit                          |
| H10A41  | Door Jamb Strip (Vertical, Hinge Side)                | H23A24   | Sealing Cup with Connecting Rod                                |
| H11A20  | Hinge Tapping Strip for Outer Casing                  | H23A26   | Strike Case with Plunger (Right-Hand Cabinet)                  |
| H11A28  | Tapping Strip (Vertical, for Outer Case)              | H23A27   | Strike Case with Plunger (Left-Hand Cabinet)                   |
| H11A29  | Tapping Strip (Horizontal, for Outer Case)            | H23A33   | Foot Pedal with Bracket and Hinge Pin (Right-Hand Cabinet)     |
| H11A30  | Tapping Strip (Vertical, for Inner Liner)             | H23A34   | Foot Pedal with Bracket and Hinge Pin (Left-Hand Cabinet)      |
| H11A31  | Tapping Strip (Horizontal, for Inner Liner)           | H23A35   | Rubber Boot for Foot Pedal                                     |
| H11A32  | Tapping Strip for Door (Outer, Latch Side)            | H23A36   | Connecting Rod for Foot Pedal and Turnbuckle                   |
| H11A33  | Tapping Strip for Door (Outer, Hinge Side)            | H23A37   | Connecting Rod between Gland and Turnbuckle                    |
| H11A34  | Tapping Strip for Door (Outer, Horizontal)            | H23A39   | Turnbuckle for Connecting Rods                                 |
| H11A35  | Tapping Strip for Door (Inner, Vertical)              | H23A45   | Foot Pedal Door Opener (Right-Hand Cabinet)                    |
| H11A36  | Tapping Strip for Door (Inner, Horizontal)            | H23A46   | Foot Pedal Door Opener (Left-Hand Cabinet)                     |
| H11A47  | Hinge Tapping Strip for Door                          | H23A47   | Connecting Rod between Sealing Cup and Plunger                 |
| H12A2   | Screw for Shelf Support                               | H27A3    | Base for Cabinet and Refrigerating Machine                     |
| H12A3   | Screw for Hinge                                       | H28A5    | Skirt for Base   |
| H12A4   | Screw for Sealing Cup and Gasket                      | H29A2    | Channel for Tubing (Full Length)                               |
| H12A8   | Screw for H20A21 Spring                               | H29A4    | Channel for Tubing (Short)                                     |
| H12A12  | Screw for Clips or Tubing Channel                     | 13919    | Nut for C20A109 Screw  |
| H12X2   | Screw for Door Strip or Door Jamb Strip               | 14239    | Cotter Pin for Foot Pedal and Rod                              |
| H13A59  | Gasket for Sealing Cup                                | 153179   | Fiber Washer (1/2" O.D.) for H20A16 Screw                      |
| H13A63  | Gasket between H15A10 Plate and Outer Door Panel      | 153998   | Screw for Tube Seal  |
| H13A69  | Rubber Gasket for Cabinet Door                        | 160936   | Cap Screw Fastening Foot Pedal Bracket to Base                 |
| H13A70  | Rubber Gasket for Refr. Mach. Compartment Panel       | 179789   | Washer for H12A12 Screw  |
| H13A71  | Soft Rubber Gasket for H4A19 Cover                    | 465012   | Steel Washer for H20A16 Screw                                  |
| H14A13  | Strike  | 1480733  | Nut for H20A22 Cap Screw                                       |
| H15A9   | Latch Handle  | 1X452    | Nut for H20A16 Screw   |
| H15A10  | Escutcheon Plate for Latch Handle                     | 6X814    | Lockwasher for 13919 Nut                                       |
| H15A11  | Escutcheon Plate for Latch Bolt (Old Style)           | 11X339   | Screw for H15A11 Escutcheon Plate, Strike or Clip for Skirt    |
| H15A23  | Thimble for Latch Handle Grip                         | 29X705   | Nut for 153998 Screw   |
| H15A26  | Latch Case with Bolt, Spring, Gasket and Nut          | 49X789   | Light Receptacle with Leads                                    |
| H15A27  | Escutcheon Plate for Latch Bolt (New Style)           | 64X973   | Check Nut for Turnbuckle (Left-Hand Thread)                    |
| H15A44  | Spring for Latch Case                                 | 64X974   | Check Nut for Turnbuckle (Right-Hand Thread)                   |
| H16A11  | Hinge   | 64X975   | Screw for Spacer   |
| H16A12  | Cover for Hinge                                       | NP59179B | Clip for Nameplate   |
| H17A1   | Shelf Support   |          |  |

\* Refer to Installation and Service Material Section of Catalog for items in this set of parts.

† Refer to Accessories Section for parts included.

## KF-7A—Cabinet Parts

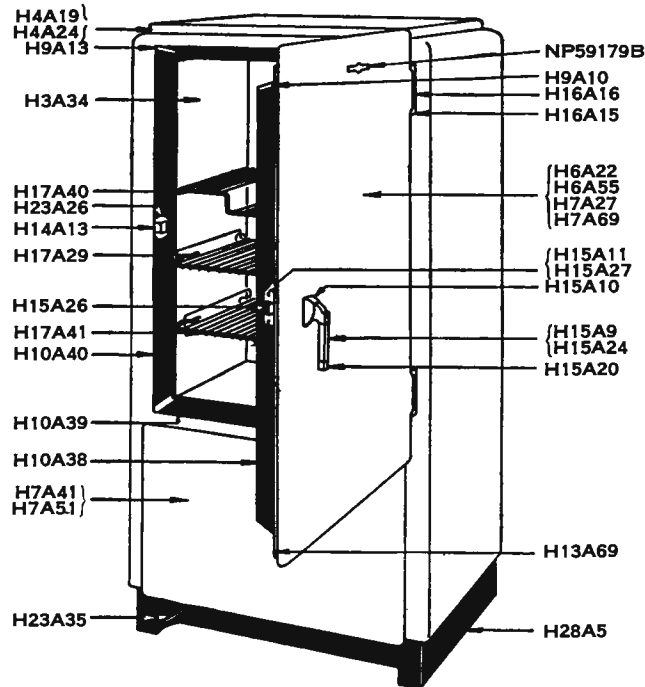


- |        |  |          |   |
|--------|--|----------|---|
| A1R41† | Accessories  | H17A69   | Straight Shelf (to replace Sliding)                             |
| C20A81 | Screw Fastening Evaporator to Inner Liner Cover        | H18A3    | Fiber Washer (1/4" O.D.) for H12A2 or H20A16 Screws             |
| C20A82 | Rubber Washer between Inner Liner Cover and Washer     | H18A18   | Washer for H20A15 or 106775 Screws                              |
| C20A83 | Washer for C20A81 Screw                                | H18A54   | Momentary Contact Switch with Leads                             |
| H3A30  | Inner Liner Cover                                      | H18A92   | Rivet for Hinge Tapping Strip                                   |
| H3A34  | Inner Liner with Shelf Supports                        | H19A4    | Lamp Guard  |
| H4A19  | Cover for Cabinet                                      | H20A4    | Rivet for Tapping Strip   |
| H5A61  | Cabinet Insulation (Set)                               | H20A6    | Screw for Nameplate Clip  |
| H5A62  | Insulation for Unit Compartment Door                   | H20A8    | Speed Nut for 49X563 Receptacle                                 |
| H5A63  | Insulation for Refrigerating Machine Compartment       | H20A13   | Clip for Skirt  |
| *      | Insulation between Inner Liner Cover and Cabinet Cover | H20A14   | Clip for Cover (Front)  |
| H6A22  | Door Complete (Right Hand)                             | H20A15   | Cap Screw Fastening Cabinet to Base                             |
| H6A23  | Door Complete (Left Hand)                              | H20A16   | Screw Fastening Inner Liner Cover to Inner Liner                |
| H7A26  | Inner Cabinet Door Panel                               | H20A18   | Clip for Cover (Back)   |
| H7A27  | Outer Cabinet Door Panel (Right Hand)                  | H20A20   | Rubber Spacer for Channel                                       |
| H7A28  | Outer Cabinet Door Panel (Left Hand)                   | H20A46   | Clamp for Tubing  |
| H7A41  | Door Panel with Catches for Refr. Mach. Compartment    | H20A47   | Screw for Hinge   |
| H9A10  | Door Corner  | H20A57   | Spring for Cabinet Door   |
| H9A13  | Door Jamb Corner                                       | H20A59   | Spacer between Evaporator and Inner Liner Cover                 |
| H10A36 | Door Strip (Horizontal)                                | H20A60   | Screw for Clip  |
| H10A37 | Door Strip (Vertical, Hinge Side)                      | H20A61   | Spring-Clip for Refr. Mach. Compartment Panel                   |
| H10A38 | Door Strip (Vertical, Latch Side)                      | H20A62   | Screw Fastening Rubber Spacer to Channel                        |
| H10A39 | Door Jamb Strip (Horizontal)                           | H20A64   | Screw for Latch Handle Thimble                                  |
| H10A40 | Door Jamb Strip (Vertical, Latch Side)                 | H23A24   | Sealing Cup with Connecting Rod                                 |
| H10A50 | Door Jamb Strip (Vertical, Hinge Side)                 | H23A26   | Strike Case with Plunger (Right-Hand Cabinet)                   |
| H11A20 | Hinge Tapping Strip for Outer Case                     | H23A27   | Strike Case with Plunger (Left-Hand Cabinet)                    |
| H11A28 | Tapping Strip for Outer Case (Vertical)                | H23A33   | Foot Pedal with Bracket and Hinge Pin (Right-Hand Cabinet)      |
| H11A29 | Tapping Strip for Outer Case (Horizontal)              | H23A34   | Foot Pedal with Bracket and Hinge Pin (Left-Hand Cabinet)       |
| H11A30 | Tapping Strip for Inner Liner (Vertical)               | H23A35   | Rubber Boot for Foot Pedal                                      |
| H11A31 | Tapping Strip for Inner Liner (Horizontal)             | H23A36   | Connecting Rod between Foot Pedal and Turnbuckle                |
| H11A32 | Tapping Strip for Door (Outer, Latch Side)             | H23A37   | Connecting Rod between Gland and Turnbuckle                     |
| H11A33 | Tapping Strip for Door (Outer, Hinge Side)             | H23A39   | Turnbuckle for Connecting Rod                                   |
| H11A34 | Tapping Strip for Door (Outer, Horizontal)             | H23A45   | Foot Pedal Door Opener (Right-Hand Cabinet)                     |
| H11A35 | Tapping Strip for Door (Inner, Vertical)               | H23A46   | Foot Pedal Door Opener (Left-Hand Cabinet)                      |
| H11A36 | Tapping Strip for Door (Inner, Horizontal)             | H23A47   | Connecting Rod between Sealing Cup and Plunger Rod              |
| H11A47 | Hinge Tapping Strip for Door                           | H27A7    | Base for Cabinet and Refrigerating Machine (Right-Hand Cabinet) |
| H12A2  | Screw for Shelf Support                                | H27A8    | Base for Cabinet and Refrigerating Machine (Left-Hand Cabinet)  |
| H12X2  | Screw for Door Strip or Door Jamb Strip                | H28A5    | Skirt for Base  |
| H13A59 | Gasket for Sealing Cup                                 | H29A4    | Channel for Tubing  |
| H13A63 | Gasket between H15A10 Plate and Outer Door Panel       | 13919    | Nut for C20A81 Screw  |
| H13A69 | Rubber Gasket for Cabinet Door                         | 14239    | Cotter Pin for Foot Pedal and Rod                               |
| H13A71 | Soft Rubber Gasket for H4A19 Cover                     | 106775   | Cap Screw Fastening Refrigerating Machine Base to Cabinet Base  |
| H14A13 | Strike   | 153179   | Fiber Washer (3/4" O.D.) for H20A16 Screw                       |
| H15A9  | Latch Handle   | 153998   | Screw for Tube Seal   |
| H15A10 | Escutcheon Plate for Latch Handle                      | 160936   | Cap Screw Fastening Foot Pedal Bracket to Base                  |
| H15A11 | Escutcheon Plate for Latch Bolt (Old Style)            | 179789   | Washer for H20A60 Screw   |
| H15A20 | Thimble for Latch Handle Grip                          | 465012   | Steel Washer for H20A16 Screw                                   |
| H15A24 | Latch Handle Grip                                      | 1X452    | Nut for H20A16 Screw  |
| H15A26 | Latch Case with Bolt, Spring, Gasket and Nut           | 6X737    | Cap Screw Fastening Base Back Plate to Base and for H20A13 Clip |
| H15A27 | Escutcheon Plate for Latch Bolt (New Style)            | 6X814    | Lockwasher for 13919 Nut  |
| H15A44 | Spring for Latch Case                                  | 11X339   | Screw for Latch Bolt Escutcheon Plate or Strike                 |
| H16A15 | Hinge  | 29X705   | Nut for 153998 Screw  |
| H16A16 | Cover for Hinge  | 49X789   | Light Receptacle with Leads                                     |
| H17A1  | Shelf Support  | 64X973   | Check Nut for Turnbuckle (Left-Hand Thread)                     |
| H17A29 | Frame for Sliding Shelf                                | 64X974   | Check Nut for Turnbuckle (Right-Hand Thread)                    |
| H17A40 | Shelf (Top)  | NP59179B | Clip for Nameplate  |
| H17A41 | Sliding Shelf  |          |   |

† Refer to Accessories Section for parts included.  
\* Use Kimsul. Cat. H5X20 covers 18' roll.

Always Give Catalog Number

## K-7A, K-7B, KT-7A and KT-7B—Cabinet Parts

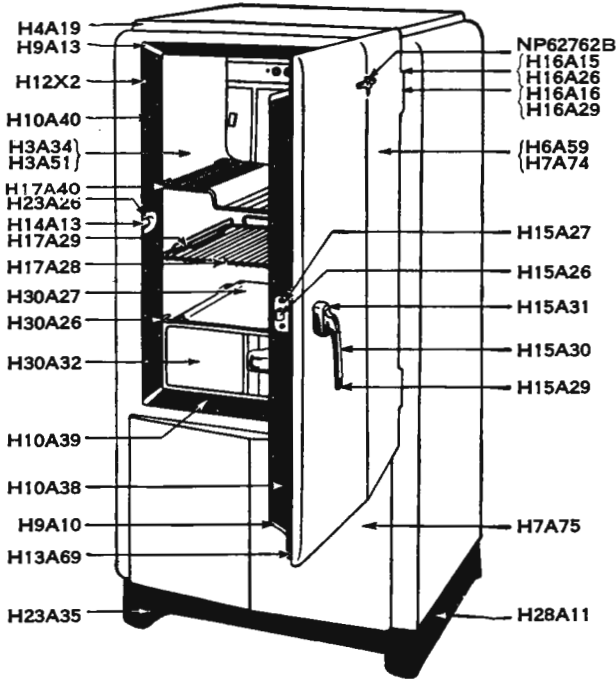


Name of Part	Cat. No.	
	K-7A K-7B	KT-7A KT-7B
†Accessories (K-7A, KT-7A)	A1R41	A1R41
†Accessories (K-7B, KT-7B)	A1R51	A1R51
Inner Liner with Shelf Supports	H3A34	H3A34
Cover for Cabinet	H4A19	H4A24
Insulation for Unit Compartment Door	H5A62	H5A62
Cabinet Insulation (Set)	H5A65	H5A65
Insulation between Inner Liner Cover and Cabinet Cover	H5A66	H5A66
Door Complete (Right Hand)	H6A22	H6A55
Door Complete (Left Hand)	H6A23	H6A56
Inner Cabinet Door Panel	H7A26	H7A26
Outer Cabinet Door Panel (Right Hand)	H7A27	H7A69
Outer Cabinet Door Panel (Left Hand)	H7A28	H7A70
Door Panel with Catches for Unit Compartment Door	H7A41	H7A51
Door Corner	H9A10	H9A10
Door Jamb Corner	H9A13	H9A13
Door Strip (Horizontal)	H10A36	H10A36
Door Strip (Vertical, Hinge Side)	H10A37	H10A37
Door Strip (Vertical, Latch Side)	H10A38	H10A38
Door Jamb Strip (Horizontal)	H10A39	H10A39
Door Jamb Strip (Vertical, Latch Side)	H10A40	H10A40
Door Jamb Strip (Vertical, Hinge Side)	H10A50	H10A50
Hinge Tapping Strip for Outer Case	H11A20	H11A20
Tapping Strip for Outer Case (Vertical)	H11A28	H11A28
Tapping Strip for Outer Case (Horizontal)	H11A29	H11A29
Tapping Strip for Inner Liner (Vertical)	H11A30	H11A30
Tapping Strip for Inner Liner (Horizontal)	H11A31	H11A31
Tapping Strip for Door (Outer, Latch Side)	H11A32	H11A32
Tapping Strip for Door (Outer, Hinge Side)	H11A33	H11A33
Tapping Strip for Door (Outer, Horizontal)	H11A34	H11A34
Tapping Strip for Door (Inner, Vertical)	H11A35	H11A35
Tapping Strip for Door (Inner, Horizontal)	H11A36	H11A36
Hinge Tapping Strip for Door	H11A47	H11A47
Tapping Strip for Inner Liner Cover Screw	H11A49	H11A49
Screw for Shelf Support	H12A2	H12A2
Screw for Door Strip, Door Jamb Strip or Inner Liner Cover	H12X2	H12X2
Gasket for Sealing Cup	H13A59	H13A59
Gasket between H15A10 Plate and Outer Door Panel	H13A63	H13A63
Rubber Gasket for Cabinet Door	H13A69	H13A69
Soft Rubber Gasket for Cabinet Cover	H13A71	H13A71
Gasket between Hinge Tapping Strip and Door	H13A83	H13A83
Strike	H14A13	H14A13
Latch Handle	H15A9	H15A9
Escutcheon Plate for Latch Handle	H15A10	H15A10
Escutcheon Plate for Latch Bolt (Old Style)	H15A11	H15A11
Thimble for Latch Handle Grip	H15A20	H15A20
Latch Handle Grip	H15A24	H15A24
Latch Case with Bolt, Spring, Gasket and Nut	H15A26	H15A26
Escutcheon Plate for Latch Bolt (New Style)	H15A27	H15A27
Spring for Latch Case	H15A44	H15A44
Hinge	H16A15	H16A15
Cover for Hinge	H16A16	H16A16
Shelf Support	H17A1	H17A1
Frame for Sliding Shelf	H17A29	H17A29
Shelf (Top)	H17A40	H17A40
Sliding Shelf	H17A41	H17A41
Straight Shelf (to replace Sliding)	H17A69	H17A69
Fiber Washer (1/2" O.D.) for H12A2 Screw	H18A3	H18A3
Washer for H20A15 Screw	H18A18	H18A18

† Refer to Accessories Section for parts included.

Name of Part	Cat. No.	
	K-7A K-7B	KT-7A KT-7B
Washer for 271318 Screw	H18A22	H18A22
Momentary Contact Switch with Leads	H18A54	H18A54
Rivet for Hinge Tapping Strip	H18A92	H18A92
Lamp Guard	H19A4	H19A4
Rivet for Tapping Strip	H20A4	H20A4
Screw for Nameplate Clip	H20A6	H20A6
Speed Nut for 49X563 Receptacle	H20A8	H20A8
Clip for Skirt	H20A13	H20A13
Clip for Cover (Front)	H20A14	H20A14
Cap Screw Fastening Cabinet to Base	H20A15	H20A15
Clip for Cover (Back)	H20A18	H20A18
Screw for Hinge	H20A47	H20A47
Pad between Hinge and Door	H20A56	H20A56
Spring for Cabinet Door	H20A57	H20A57
Spacer between Evaporator and Inner Liner Cover	H20A59	H20A59
Screw for Clip	H20A60	H20A60
Spring Clip for Unit Compartment Door	H20A61	H20A61
Screw Fastening Condenser to Cabinet	H20A62	H20A62
Washer for H20A62 Screw	H20A63	H20A63
Screw for Latch Handle Thimble	H20A64	H20A64
Fiber Washer for H12X2 Liner Cover Screw	H20A74	H20A74
Rubber Washer for H12X2 Liner Cover Screw	H20A75	H20A75
Tray Lifter Hook	H20A98	H20A98
Rubber Plug for Liner Cover	H20A110	H20A110
Sealing Cup with Connecting Rod	H23A24	H23A24
Strike Case with Plunger (Right-Hand Cabinet)	H23A26	H23A26
Strike Case with Plunger (Left-Hand Cabinet)	H23A27	H23A27
Foot Pedal with Bracket and Hinge Pin (Right-Hand Cabinet)	H23A33	H23A33
Foot Pedal with Bracket and Hinge Pin (Left-Hand Cabinet)	H23A34	H23A34
Rubber Boot for Foot Pedal	H23A35	H23A35
Connecting Rod between Foot Pedal and Turnbuckle	H23A36	H23A36
Connecting Rod between Gland and Turnbuckle	H23A37	H23A37
Turnbuckle for Connecting Rod	H23A39	H23A39
Foot Pedal Door Opener (Right-Hand Cabinet)	H23A45	H23A45
Foot Pedal Door Opener (Left-Hand Cabinet)	H23A46	H23A46
Connecting Rod between Sealing Cup and Plunger Rod	H23A47	H23A47
Base for Cabinet and Refrigerating Machine (Right-Hand Cabinet)	H27A7	H27A7
Base for Cabinet and Refrigerating Machine (Left-Hand Cabinet)	H27A8	H27A8
Skirt for Base	H28A5	H28A5
Cotter Pin for Foot Pedal and Rod	14239	14239
Cap Screw Fastening Refrigerating Machine Base to Cabinet Base	106775	106775
Screw for Tube Seal	153998	153998
Cap Screw Fastening Foot Pedal Bracket to Base	160936	160936
Washer for H20A60 Screw	179789	179789
Cap Screw Fastening Condenser to Base	271318	271318
Cap Screw Fastening Base Back Plate to Base or for H20A13 Clip	6X737	6X737
Screw for Latch Bolt Escutcheon Plate or Strike	11X339	11X339
Nut for 153998 Screw	29X705	29X705
Light Receptacle with Leads	49X789	49X789
Check Nut for Turnbuckle (Left-Hand Thread)	64X973	64X973
Check Nut for Turnbuckle (Right-Hand Thread)	64X974	64X974
Clip for Nameplate	NP59179B	NP59179B

## V-7A, V-7C—Cabinet Parts



Name of Part	Cat. No.	
	V-7A	V-7C
Strike	H14A13	H14A13
Latch Case with Bolt, Spring, Gasket and Nut	H15A26	H15A26
Escutcheon Plate for Latch Bolt	H15A27	H15A27
Latch Handle with Trim	H15A29	H15A29
Trim for Latch Handle	H15A30	H15A30
Escutcheon Plate for Latch Handle	H15A31	H15A31
Nut fastening Handle to Latch	H15A32	H15A32
Spring for Latch Case	H15A44	H15A44
Hinge for use with Cover 3 1/4" long	H16A15	
Cover for H16A15 Hinge	H16A16	
Hinge for use with Cover 3 1/4" long	H16A26	H16A26
Opening Spring Cartridge for Hinge	H16A27	H16A27
Retarding Spring Cartridge for Hinge	H16A28	H16A28
Cover for H16A26 Hinge	H16A29	H16A29
Shelf Support	H17A1	H17A1
Sliding Shelf	H17A28	H17A28
Sliding Shelf Frame	H17A29	H17A29
Shelf (Top)	H17A40	H17A40
Washer for H12A2 Screw	H18A3	H18A3
Washer for H20A15 or 106775 Screws	H18A22	H18A22
Momentary Contact Switch with Leads	H18A54	H18A54
Rivet for H11A47 or H11A20 Tapping Strips	H18A92	H18A92
Lamp Guard	H19A5	H19A5
Spring for H18A54 Switch	H19A6	H19A6
Light Receptacle with Retaining Ring and Short Leads		H19A15
Rivet for H11A28, H11A29, H11A30, H11A31, or Door Tapping Strips	H20A4	H20A4
Screw for Nameplate Clip	H20A6	H20A6
Speed Nut for 49X789 Light Receptacle	H20A8	
Clip for Skirt	H20A13	H20A13
Clip for Cover (Front)	H20A14	H20A14
Cap Screw for fastening Cabinet to Base or Foot Pedal Bracket to Base	H20A15	H20A15
Clip for Cover (Back)	H20A18	H20A18
Screw for Hinge	H20A47	H20A47
Screw for H13A59 Gasket	H20A48	H20A48
Door Spring	H20A57	H20A57
Screw for H20A61, H20A14 or H20A18 Clips	H20A60	H20A60
Spring Clip for Refr. Mach. Compartment Panel	H20A61	H20A61
Fiber Washer for H12X2 Screw	H20A74	H20A74
Rubber Washer for H12X2 Screw	H20A75	H20A75
Tray Lifter Hook	H20A98	H20A98
Plug for Inner Liner Cover	H20A110	H20A110
Lockwasher for H20A6 Screw	H20A116	
Lockwasher for Latch Nut	H20A117	H20A117
Rivet for H11A59 Tapping Strip	H20A118	H20A118
Catch for Refr. Mach. Compartment Panel	*H20A137	H20A137
Washer for 11X339 Screw	*H20A138	H20A138
Sealing Cup with Connecting Rod	H23A24	H23A24
Strike Case with Plunger (Right-Hand Cabinet)	H23A26	H23A26
Strike Case with Plunger (Left-Hand Cabinet)	H23A27	H23A27
Foot Pedal with Bracket and Hinge Pin (Right-Hand Cabinet)	H23A33	H23A33
Foot Pedal with Bracket and Hinge Pin (Left-Hand Cabinet)	H23A34	H23A34
Rubber Boot for Foot Pedal	H23A35	H23A35
Connecting Rod between Foot Pedal and Turnbuckle	H23A36	H23A36
Connecting Rod between Sealing Cup and Turnbuckle	H23A37	H23A37
Turnbuckle for Connecting Rod	H23A39	H23A39
Foot Pedal Door Opener (Right-Hand Cabinet)	H23A45	H23A45
Foot Pedal Door Opener (Left-Hand Cabinet)	H23A46	H23A46
Connecting Rod between Sealing Cup and Plunger Rod	H23A47	H23A47
Base for Cabinet and Refrigerating Machine	H27A13	H27A13
Skirt for Base (Right-Hand Cabinet)	H28A11	H28A11
Skirt for Base (Left-Hand Cabinet)	H28A16	H28A16
Vegetable Drawer with Cover, Frame and Front Panel	H30A23	H30A23
Vegetable Drawer Only	H30A25	H30A25
Frame with Channels for Vegetable Drawer	H30A26	H30A26
Cover for Vegetable Drawer	H30A27	H30A27
Spacer for Vegetable Drawer	H30A28	H30A28
Channel for Vegetable Drawer	H30A30	H30A30
Vegetable Drawer with Front Porcelain Panel	H30A31	H30A31
Front Porcelain Panel for Vegetable Drawer	H30A32	H30A32
Nut for 153998 Screw	1507	1507
Cotter Pin for Foot Pedal and Rod	14239	14239
Cap Screw fastening Refrigerating Machine to Base	106775	106775
Cap Screw for Condenser and Base	153609	
Screw for Tube Seal	153998	153998
Washer for 69X893 Screw	165736	165736
Nut for 106775 Screw	177811	177811
Washer for 153998 or 66X744 Screws	179789	179789
Lockwasher for H20A15 Screw	6X814	6X814
Screw for H14A13 Strike, H15A27 Plate or H20A137 Catch	*11X339	11X339
Light Receptacle with Leads	49X789	49X972
Retaining Ring for Light Receptacle		58X310
Lockwasher for 11X339 Screw	*58X310	58X310
Check Nut for Turnbuckle (Left-Hand Thread)	64X973	64X973
Check Nut for Turnbuckle (Right-Hand Thread)	64X974	64X974
Rivet for H30A30 Channel	66X743	
Screw for Front Panel and Vegetable Drawer	66X744	66X744
Screw for Condenser and Cabinet	69X893	69X893
Connector for Leads	GE3014	GE3014
Clip for Nameplate	NP62762B	NP62762B

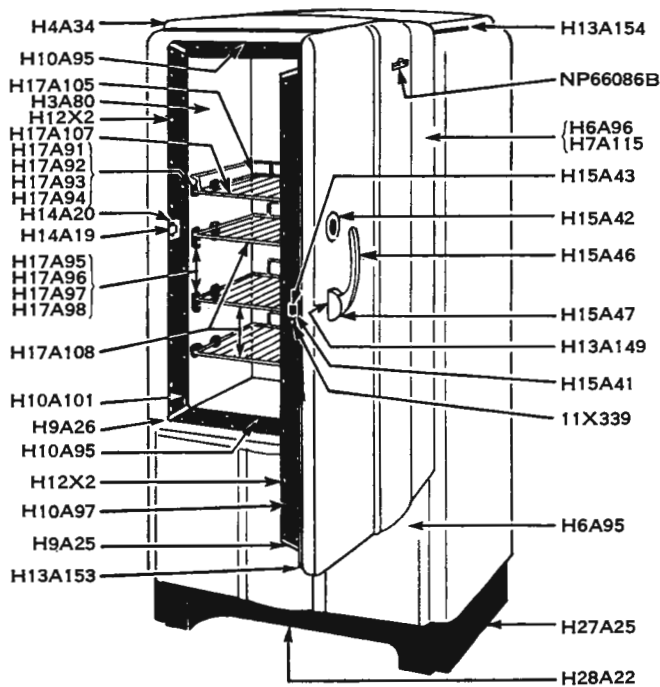
Name of Part	Cat. No.	
	V-7A	V-7C
†Accessories	A1R53	A1R53
Inner Liner with Shelf Supports	H3A34	H3A51
Cabinet Cover	H4A19	H4A19
Cabinet Insulation (Set)	H5A92	H5A92
Insulation between Inner Liner Cover and Cabinet Cover	H5A142	H5A142
Insulation for Refrigerating Machine Compartment Door	H5A94	H5A94
Insulation for Refrigerating Machine Compartment (Side)	H5A95	H5A95
Door Complete (Right Hand)	H6A59	H6A59
Door Complete (Left Hand)	H6A61	H6A61
Inner Door Panel	H7A26	H7A26
Outer Door Panel (Right Hand)	H7A74	H7A74
Door Panel with Catches for Refr. Mach. Compartment	H7A75	H7A75
Outer Door Panel (Left Hand)	H7A76	H7A76
Door Corner	H9A10	H9A10
Door Jamb Corner	H9A13	H9A13
Door Strip (Horizontal)	H10A36	H10A36
Door Strip (Vertical, Hinge Side)	H10A37	H10A37
Door Strip (Vertical, Latch Side)	H10A38	H10A38
Door Jamb Strip (Horizontal)	H10A39	H10A39
Door Jamb Strip (Vertical, Latch Side)	H10A40	H10A40
Door Jamb Strip (Vertical, Hinge Side for use with Door Spring)	H10A50	
Door Jamb Strip (Vertical, Hinge Side, Right-Hand Cabinet for use without Door Spring)	H10A82	H10A82
Door Jamb Strip (Vertical, Hinge Side, Left-Hand Cabinet for use without Door Spring)	H10A83	H10A83
Tapping Strip for Hinge and Outer Case	H11A20	H11A20
Tapping Strip for Outer Case (Vertical)	H11A28	H11A28
Tapping Strip for Outer Case (Horizontal)	H11A29	H11A29
Tapping Strip for Inner Liner (Vertical)	H11A30	H11A30
Tapping Strip for Inner Liner (Horizontal)	H11A31	H11A31
Tapping Strip for Door (Outer Vertical, Latch Side)	H11A32	H11A32
Tapping Strip for Door (Outer Vertical, Hinge Side)	H11A33	H11A33
Tapping Strip for Door (Outer, Horizontal)	H11A34	H11A34
Tapping Strip for Door (Inner, Vertical)	H11A35	H11A35
Tapping Strip for Door (Inner, Horizontal)	H11A36	H11A36
Tapping Strip for Hinge and Door	H11A47	H11A47
Tapping Strip for Inner Liner Cover	H11A49	H11A49
Tapping Strip for Outer Case and Condenser Screw	H11A59	H11A59
Screw for H17A1 Shelf Support	H12A2	H12A2
Screw for Door Strip, Door Jamb Strip or Inner Liner Cover	H12X2	H12X2
Gasket for Sealing Cup	H13A59	H13A59
Door Gasket	H13A69	H13A69
Gasket for H4A19 Cabinet Cover	H13A71	H13A71
Gasket between Latch Handle Escutcheon Plate and Outer Door Panel	H13A104	H13A104
Rubber Bushing for Light Receptacle	H13A142	H13A142
Gasket for H20A137 Catch	H13A146	H13A146
Rubber Button for Vegetable Drawer Cover Clip	H13X4	H13X4

\* On first production the Catch for Refrigerating Machine Compartment Door was welded in position but later fastened to the door with screws.

† Refer to Accessories Section for parts included.



## B-7-37A—Cabinet Parts



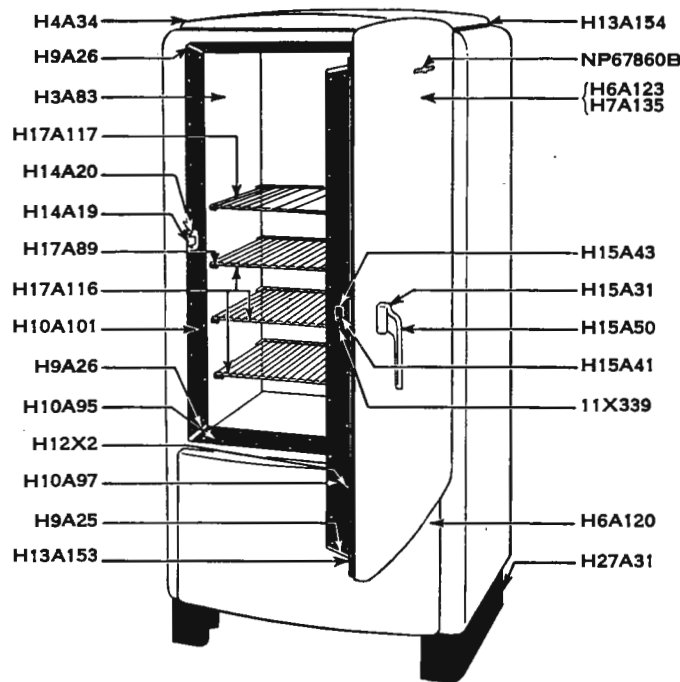
- A1R77† Accessories
- H3A80 Inner Liner with Shelf Supports
- H4A34 Cabinet Cover
- H5A147 Insulation between Inner Liner Cover and Top Cover
- H5A148 Cabinet Insulation (Set)
- H6A95 Refrigerating Machine Compartment Door
- H6A96 Door Complete (Right-Hand Cabinet)
- H6A97 Door Complete (Left-Hand Cabinet)
- H7A114 Inner Door Panel
- H7A115 Outer Door Panel (Right-Hand Cabinet)
- H7A116 Outer Door Panel (Left-Hand Cabinet)
- H9A25 Door Corner
- H9A26 Door Jamb Corner
- H10A91 Door Strip (Horizontal)
- H10A95 Door Jamb Strip (Horizontal)
- H10A96 Door Strip (Vertical, Hinge Side)
- H10A97 Door Strip (Vertical, Latch Side, with Escutcheon for Latch Bolt)
- H10A99 Door Jamb Strip (Vertical, Hinge Side, Right-Hand Cabinet)
- H10A100 Door Jamb Strip (Vertical, Hinge Side, Left-Hand Cabinet)
- H10A101 Door Jamb Strip (Vertical, Latch Side)
- H11A20 Tapping Strip for Outer Case and Hinge
- H11A47 Tapping Strip for Door and Hinge
- H11A49 Tapping Strip for Screw Fastening Inner Liner Cover to Inner Liner
- H11A59 Tapping Strip for Outer Case and Condenser or for Back Clip for Top Cover
- H11A78 Tapping Strip for Inner Liner (Horizontal)
- H11A83 Tapping Strip for Outer Door Panel (Horizontal)
- H11A86 Tapping Strip for Inner Door Panel (Horizontal)
- H11A87 Tapping Strip for Outer Case (Bottom)
- H11A91 Tapping Strip for Outer Case (Vertical)
- H11A93 Tapping Strip for Inner Liner (Vertical)
- H11A94 Tapping Strip for Shelf Supports, without Screw
- H11A95 Tapping Strip for Shelf Supports, with Screw for H17A90 Shelf Support
- H11A96 Tapping Strip for Inner Door Panel (Vertical)
- H11A98 Tapping Strip for Outer Door Panel (Vertical, Latch Side)
- H11A99 Tapping Strip for Outer Door Panel (Vertical, Hinge Side)
- H11A105 Tapping Strip for Outer Case (Top)
- H12A2 Screw Fastening Straight or Headed Shelf Support to Inner Liner
- H12X2 Screw for Door Strip, Door Jamb Strip or Inner Liner Cover
- H13A142 Rubber Bushing for Light Receptacle
- H13A148 Gasket between Latch Case and Outer Door Panel
- H13A149 Seal for Latch Handle
- H13A152 Gasket for H20A161 Clip
- H13A153 Rubber Door Gasket

† Refer to Accessories Section for parts included.

- H13A154 Gasket for Cabinet Cover
- H14A19 Strike
- H14A20 Strike Case
- H15A41 Escutcheon for Door Strip and Latch Bolt
- H15A42 Scuff Plate for Latch Handle
- H15A43 Latch Case with Bolt, Spring, Gasket and Nut
- H15A44 Spring for Latch Case and Bolt
- H15A45 Nut Fastening Latch Case and Latch Handle to Outer Door Panel
- H15A46 Nut Fastening Latch Case and Latch Handle to Outer Door Panel
- H15A47 Escutcheon Plate for Latch Handle
- H16A35 Hinges with End Covers
- H16A36 Cover for Hinge
- H17A89 Shelf Support (Straight), or Nut for 46X784 Screw
- H17A90 Shelf Support (Headed)
- H17A91 Shelf Support (Single Slot, 1/4" thick)
- H17A92 Shelf Support (Single Slot, 1/4" thick)
- H17A93 Shelf Support (Single Slot, 1/4" thick)
- H17A94 Shelf Support (Single Slot, 1/4" thick)
- H17A95 Shelf Support (Double Slot, 1/4" thick)
- H17A96 Shelf Support (Double Slot, 1/4" thick)
- H17A97 Shelf Support (Double Slot, 1/4" thick)
- H17A98 Shelf Support (Double Slot, 1/4" thick)
- H17A105 Stop for Shelf
- H17A107 Shelf (Top, large)
- H17A108 Shelf (First, Second or Third from Bottom)
- H17A109 Shelf (Top, small)
- H17A110 Fiber Washer for Single Slot Shelf Support
- H17A111 Fiber Washer for Double Slot Shelf Support
- H18A3 Washer for H12A2 Screw
- H18A18 Washer for H20A22, 80X178 or 279364 Screws (5/8" O.D.)
- H18A22 Washer for 106775 or 261646 Screws (3/4" O.D.)
- H18A54 Momentary Contact Switch (Short Leads)
- H18A92 Rivet Fastening H11A20 to Outer Case or H11A47 to Outer Door Panel
- H19A5 Lamp Guard
- H19A6 Retaining Spring for Momentary Contact Switch
- H19A15 Light Receptacle with Porcelain Bushing (Short Leads)
- H19A18 Lockwasher for Momentary Contact Switch
- H19A21 Nut Fastening Momentary Contact Switch to Door Jamb Strip
- H20A4 Rivet Fastening Tapping Strip to Outer Case, Outer Door Panel or Inner Liner
- H20A6 Screw for Nameplate Clip
- H20A22 Cap Screw Fastening Condenser and Back Cross Piece to Side of Base
- H20A47 Screw for Hinge
- H20A60 Screw for H20A170 Clip
- H20A74 Fiber Washer for Screw Fastening Inner Liner Cover to Inner Liner
- H20A75 Rubber Washer for Screw Fastening Inner Liner Cover to Inner Liner
- H20A86 Screw for H20A161 Clip
- H20A110 Rubber Plug for Inner Liner Cove
- H20A117 Lockwasher for Latch Handle Nut
- H20A118 Rivet Fastening H11A59 to Back of Outer Case
- H20A155 Ice Tray Lifter Hook
- H20A159 Screw Fastening Slotted Shelf Support to Tapping Strip
- H20A161 Clip for Cabinet Cover (Front)
- H20A165 Spring Catch for Refrigerating Machine Compartment Door (Left-Hand Side)
- H20A166 Spring Catch for Refrigerating Machine Compartment Door (Right-Hand Side)
- H20A170 Clip for Cabinet Cover (Back)
- H20A181 Catch for Refrigerating Machine Compartment Door
- H20A182 Rubber Spacer for Refrigerating Machine Compartment Door
- H20A230 Washer under Scuff Plate or Nameplate
- H22A24 Insulation for Refrigerating Machine Compartment Side
- H22A25 Insulation for Refrigerating Machine Compartment Door
- H27A25 Base
- H28A22 Skirt for Base
- 11X339 Screw Fastening Latch Case to Door Strip or Screw for Strike
- 12X732 Lockwasher for 17781 Nut
- 30X562 Lockwasher for 46X784 Screw
- 46X784 Screw Fastening Skirt to Base
- 49X972 Porcelain Bushing for Light Receptacle
- 58X310 Lockwasher for 11X339 Strike Screw
- 58X324 Lockwasher for H20A159 Screw
- 58X325 Lockwasher for 58X326 Nut
- 58X326 Nut Fastening Scuff Plate to Outer Door Panel
- 58X337 Screw for H20A181 Catch
- 69X893 Screw Fastening Unit Condenser or Back Clip for Top Cover to Back of Outer Case
- 80X178 Cap Screw Fastening Front Cross Piece to Side of Base
- 150279 Washer for 69X893 Screw (1/2" O.D.)
- 165736 Washer for 69X893 Screw or Steel Washer under Scuff Plate (3/4" O.D.)
- 17781 Nut for H20A22, 106775, 261646 or 279364 Screws
- 261646 Cap Screw Fastening Base to Outer Case or Unit to Base
- 279364 Cap Screw Fastening Back Cross Piece to Side of Base
- GE3014 Connector for Leads
- NP66086B Nameplate Clip

Always Give Catalog Number

## JB-7-37A—Cabinet Parts

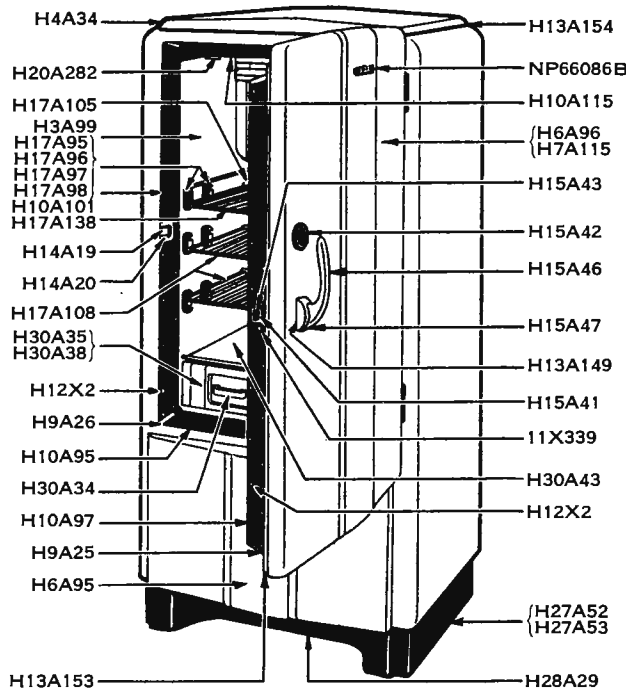


- |         |   |          |   |
|---------|---|----------|---|
| A1R83†  | Accessories   | H17A90   | Shelf Support (Headed)  |
| H3A83   | Inner Liner with Shelf Supports   | H17A109  | Shelf (Top, small)  |
| H4A34   | Cabinet Cover   | H17A116  | Shelf (First, Second or Third from Bottom)  |
| H5A147  | Insulation between Inner Liner Cover and Top Cover                        | H17A117  | Shelf (Top, large)  |
| H5A160  | Cabinet Insulation (Set)  | H18A3    | Washer for H12A2 Screw  |
| H6A120  | Refrigerating Machine Compartment Door                                    | H18A18   | Washer for H20A22, 80X178 or 279364 Screws (5/8" O.D.)                              |
| H6A123  | Door Complete (Right-Hand Cabinet)  | H18A22   | Washer for 106775 or 261646 Screws (5/8" O.D.)                                      |
| H6A124  | Door Complete (Left-Hand Cabinet)   | H18A54   | Momentary Contact Switch (Short Leads)  |
| H7A114  | Inner Door Panel  | H18A92   | Rivet Fastening H11A47 to Outer Door Panel, or Fastening H11A20 to Outer Case       |
| H7A135  | Outer Door Panel (Right-Hand Cabinet)                                     | H19A5    | Lamp Guard  |
| H7A136  | Outer Door Panel (Left-Hand Cabinet)                                      | H19A6    | Retaining Spring for Momentary Contact Switch                                       |
| H9A25   | Door Corner   | H19A15   | Light Receptacle with Porcelain Bushing (Short Leads)                               |
| H9A26   | Door Jamb Corner  | H19A18   | Lockwasher for Momentary Contact Switch   |
| H10A91  | Door Strip (Horizontal)   | H19A21   | Nut Fastening Momentary Contact Switch to Door Jamb Strip                           |
| H10A95  | Door Jamb Strip (Horizontal)  | H20A4    | Rivet Fastening Tapping Strip to Inner Liner, to Outer Door Panel and to Outer Case |
| H10A96  | Door Strip (Vertical, Hinge Side)   | H20A6    | Screw for Nameplate Clip  |
| H10A97  | Door Strip (Vertical, Latch Side, with Escutcheon for Latch Bolt)         | H20A22   | Cap Screw Fastening Condenser and Back Cross Piece to Side of Base                  |
| H10A99  | Door Jamb Strip (Vertical, Hinge Side, Right-Hand Cabinet)                | H20A47   | Screw for Hinge   |
| H10A100 | Door Jamb Strip (Vertical, Hinge Side, Left-Hand Cabinet)                 | H20A60   | Screw for H20A170 Clip  |
| H10A101 | Door Jamb Strip (Vertical, Latch Side)                                    | H20A74   | Fiber Washer for Screw Fastening Inner Liner Cover to Inner Liner                   |
| H11A20  | Tapping Strip for Outer Case and Hinge                                    | H20A75   | Rubber Washer for Screw Fastening Inner Liner Cover to Inner Liner                  |
| H11A47  | Tapping Strip for Door and Hinge  | H20A86   | Screw for H20A161 Clip  |
| H11A49  | Tapping Strip for Screw Fastening Inner Liner Cover to Inner Liner        | H20A110  | Rubber Plug for Inner Liner Cover   |
| H11A59  | Tapping Strip for Outer Case and Condenser or for Back Clip for Top Cover | H20A117  | Lockwasher for Latch Handle Nut   |
| H11A78  | Tapping Strip for Inner Liner (Horizontal)                                | H20A118  | Rivet Fastening H11A59 to Back of Outer Case  |
| H11A83  | Tapping Strip for Outer Door Panel (Horizontal)                           | H20A155  | Ice Tray Lifter Hook  |
| H11A86  | Tapping Strip for Inner Door Panel (Horizontal)                           | H20A161  | Clip for Cabinet Cover (Front)  |
| H11A87  | Tapping Strip for Outer Case (Bottom)                                     | H20A165  | Spring Catch for Refrigerating Machine Compartment Door (Left-Hand Side)            |
| H11A91  | Tapping Strip for Outer Case (Vertical)                                   | H20A166  | Spring Catch for Refrigerating Machine Compartment Door (Right-Hand Side)           |
| H11A93  | Tapping Strip for Inner Liner (Vertical)                                  | H20A170  | Clip for Cabinet Cover (Back)   |
| H11A96  | Tapping Strip for Inner Door Panel (Vertical)                             | H20A181  | Catch for Refrigerating Machine Compartment Door                                    |
| H11A98  | Tapping Strip for Outer Door Panel (Vertical, Latch Side)                 | H20A182  | Rubber Spacer for Refrigerating Machine Compartment Door                            |
| H11A99  | Tapping Strip for Outer Door Panel (Vertical, Hinge Side)                 | H22A25   | Insulation for Refrigerating Machine Compartment Door Base                          |
| H11A105 | Tapping Strip for Outer Case (Top)  | H27A31   | Base  |
| H12A2   | Screw Fastening Straight or Headed Shelf Support to Inner Liner           | 165736   | Washer for 69X893 Screw   |
| H12X2   | Screw for Door Strip, Door Jamb Strip or Inner Liner Cover                | 177811   | Nut for H20A22, 106775, 261646 or 279364 Screws                                     |
| H13A104 | Seal for Latch Handle   | 261646   | Cap Screw Fastening Base to Outer Case or Unit to Base                              |
| H13A142 | Rubber Bushing for Light Receptacle                                       | 279364   | Cap Screw Fastening Back Cross Piece to Side of Base                                |
| H13A148 | Gasket between Latch Case and Outer Door Panel                            | 11X339   | Screw Fastening Latch Case to Door Strip, or Screw for Strike                       |
| H13A152 | Gasket for H20A161 Clip   | 12X732   | Lockwasher for 177811 Nut   |
| H13A153 | Rubber Door Gasket  | 49X972   | Porcelain Bushing for Light Receptacle  |
| H13A154 | Gasket for Cabinet Cover  | 58X310   | Lockwasher for 11X339 Strike Screw  |
| H14A19  | Strike  | 58X337   | Screw for H20A181 Catch   |
| H14A20  | Strike Case   | 69X893   | Screw Fastening Unit Condenser or Back Clip for Top Cover to Back of Outer Case     |
| H15A31  | Escutcheon Plate for Latch Handle   | 80X178   | Cap Screw Fastening Front Cross Piece to Side of Base                               |
| H15A41  | Escutcheon for Door Strip and Latch Bolt                                  | GE3014   | Connector for Leads   |
| H15A43  | Latch Case with Bolt, Spring, Gasket and Nut                              | NP67860B | Nameplate Clip  |
| H15A44  | Spring for Latch Case and Bolt  |          |   |
| H15A45  | Nut Fastening Latch Case and Latch Handle to Outer Door Panel             |          |   |
| H15A50  | Latch Handle without Escutcheon Plate                                     |          |   |
| H16A37  | Hinge with End Covers   |          |   |
| H16A38  | Cover for Hinge   |          |   |
| H17A89  | Shelf Support (Straight)  |          |   |

† Refer to Accessories Section for parts included.

Always Give Catalog Number

## B-7-38A, B-7-38B—Cabinet Parts



- A1R110† Accessories
- A21R53 Utility Basket
- A21R54 Partition for Utility Basket
- A21R55 Front Panel for Utility Basket
- A21R56 Wire Basket Less Front Panel and Handle
- H3A99 Inner Liner with Shelf Supports
- H4A34 Cabinet Cover
- H5X20 Cabinet Insulation (Kimsul, 18" roll)
- H5A188 Insulation between Inner Liner Cover and Cabinet Cover
- H6A95 Refrigerating Machine Compartment Door
- H6A96 Door Complete (Right-Hand Cabinet)
- H6A97 Door Complete (Left-Hand Cabinet)
- H7A114 Inner Door Panel
- H7A115 Outer Door Panel (Right-Hand Cabinet)
- H7A116 Outer Door Panel (Left-Hand Cabinet)
- H9A25 Door Corner
- H9A26 Door Jamb Corner
- H10A91 Door Strip (Horizontal)
- H10A95 Door Jamb Strip (Bottom)
- H10A96 Door Strip (Vertical, Hinge Side)
- H10A97 Door Strip (Vertical, Latch Side, with Escutcheon for Latch Bolt)
- H10A101 Door Jamb Strip (Vertical, Latch Side)
- H10A115 Door Jamb Strip (Top)
- H10A124 Door Jamb Strip (Vertical, Hinge Side)
- H11A20 Tapping Strip for Outer Case and Hinge
- H11A47 Tapping Strip for Outer Door Panel and Hinge
- H11A49 Tapping Strip for Screw Fastening Inner Liner Cover to Inner Liner, or Spring to Refrigerating Machine Compartment Door
- H11A59 Tapping Strip for Outer Case and Condenser or for Back Clip for Cabinet Cover
- H11A78 Tapping Strip for Inner Liner (Horizontal)
- H11A83 Tapping Strip for Outer Door Panel (Horizontal)
- H11A86 Tapping Strip for Inner Door Panel (Horizontal)
- H11A87 Tapping Strip for Outer Case (Bottom)
- H11A91 Tapping Strip for Outer Case (Vertical)
- H11A93 Tapping Strip for Inner Liner (Vertical)
- H11A96 Tapping Strip for Inner Door Panel (Vertical)
- H11A98 Tapping Strip for Outer Door Panel (Vertical, Latch Side)
- H11A99 Tapping Strip for Outer Door Panel (Vertical, Hinge Side)
- H11A105 Tapping Strip for Outer Case (Top)
- H11A135 Tapping Strip for Inner Liner and Slotted Shelf Support
- H12A2 Screw Fastening H17A89 or H17A90 Shelf Supports to Inner Liner
- H12X2 Screw for Door Strip, Door Jamb Strip, Light Switch or Inner Liner Cover
- H13A148 Gasket between Latch Case and Outer Door Panel
- H13A149 Seal for Latch Handle
- H13A153 Rubber Door Gasket
- H13A154 Rubber Gasket for Cabinet Cover
- H13A181 Fiber Gasket between Light Switch and Door Jamb Strip
- H14A19 Strike
- H14A20 Strike Case
- H15A41 Escutcheon for Door Strip and Latch Bolt

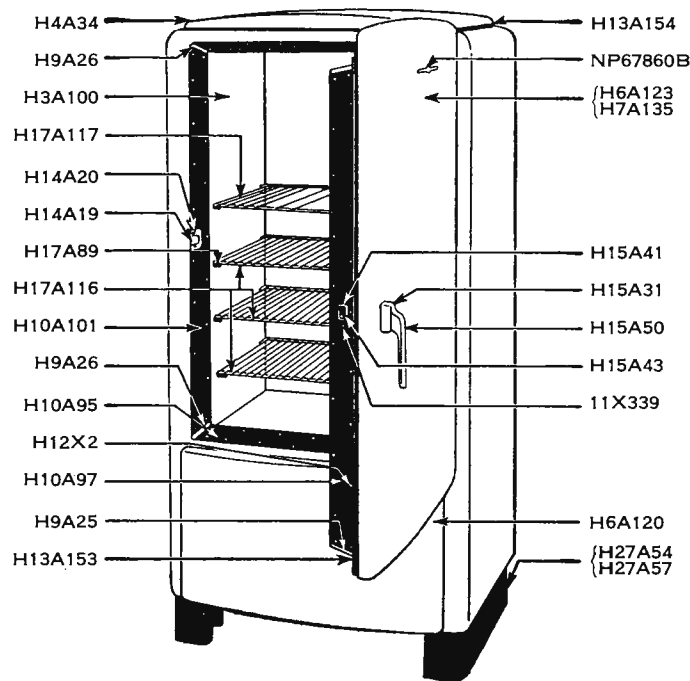
- H15A42 Scuff Plate and Clip for Latch Handle
- H15A43 Latch Case with Bolt, Spring, Gasket and Nut
- H15A44 Spring for Latch Case and Bolt
- H15A45 Nut Fastening Latch Case and Latch Handle to Outer Door Panel
- H15A46 Latch Handle without Escutcheon
- H15A47 Escutcheon for Latch Handle
- H16A35 Hinge with End Covers
- H16A36 Center Cover for Hinge
- H17A89 Shelf Support (Straight), or Nut for 46X784 Skirt Screw (½" long)
- H17A90 Shelf Support (Sealed)
- H17A95 Shelf Support (Double Slot, ¼" thick)
- H17A96 Shelf Support (Double Slot, ⅜" thick)
- H17A97 Shelf Support (Double Slot, ½" thick)
- H17A98 Shelf Support (Double Slot, ⅝" thick)
- H17A105 Stop for Shelf
- H17A108 Shelf with Stop (First or Second from Bottom)
- H17A111 Fiber Washer for Double Slot Shelf Support
- H17A138 Shelf with Stop (Upper)
- H17A139 Shelf (Top, Small)
- H17A140 Removable Shelf
- H18A3 Washer for H17A90 Shelf Support (½" O.D.)
- H18A18 Washer for 106775 Screw (⅜" O.D.)
- H18A22 Washer for 106775 or 261646 Screws (⅜" O.D.)
- H18A92 Rivet for H11A20 or H11A47 Tapping Strips
- H19A26 Lamp Guard
- H19A27 Bushing for Light Receptacle
- H20A4 Rivet for H11A78, H11A83, H11A87, H11A91, H11A93, H11A98, H11A99 or H11A105 Tapping Strips
- H20A6 Screw for Nameplate Clip
- H20A47 Screw for Hinge
- H20A49 Screw for H20A181
- H20A60 Screw for H20A170 Clip, Tube Seal, H20A239 Catch or H20A282 Bracket
- H20A62 Screw Fastening H20A243 Spacer to Bottom of Condenser
- H20A74 Fiber Washer for H12X2 Screw Fastening Inner Liner Cover to Inner Liner (⅝" O.D.)
- H20A86 Screw for H20A161 Clip
- H20A110 Rubber Plug for Inner Liner Cover
- H20A117 Lockwasher for Latch Handle Nut
- H20A118 Rivet for H11A59 Tapping Strip
- H20A159 Screw Fastening H17A95, H17A96, H17A97, or H17A98 Tapping Strips to Inner Liner
- H20A161 Clip for Cabinet Cover (Front)
- H20A170 Clip for Cabinet Cover (Back)
- H20A174 Screw Fastening Spring to Refrigerating Machine Compartment Door
- H20A181 Catch for Refrigerating Machine Compartment Door
- H20A239 Catch for Refrigerating Machine Compartment Door Spring
- H20A240 Washer for H20A181 Catch (⅜" O.D.)
- H20A241 Spring for Refrigerating Machine Compartment Door
- H20A242 Rubber Button Spacer for Refrigerating Machine Compartment Door
- H20A243 Rubber Spacer for Bottom of Condenser
- H20A248 Rubber Bumper for Shelf
- H20A249 Rubber Button for H20A257 Support
- H20A250 Washer between Front Panel and Pan for Vegetable Drawer (1" O.D.)
- H20A251 Rubber Washer between Scuff Plate Clip and Door (½" O.D.)
- H20A252‡ Bracket for Separator Release (Early production Cabinets)
- H20A253 Rubber Spacer for Shelf Support
- H20A257 Support for Shelf and Drawer
- H20A282‡ Bracket for Separator Release (Late production Cabinets)
- H22A25 Insulation for Refrigerating Machine Compartment Door
- H22A33 Insulation for Refrigerating Machine Compartment Side
- H27A52 Base (B-7-38B Cabinet)
- H27A53 Base (B-7-38A Cabinet)
- H28A29 Skirt for Base
- H30A34 Handle for Utility Basket and Vegetable Drawer
- H30A35 Vegetable Drawer
- H30A37 Pan for Vegetable Drawer
- H30A38 Front Panel for Vegetable Drawer
- H30A43 Cover for Vegetable Drawer
- 106775 Screw Fastening Condenser to Base (B-7-38A Cabinet)
- 165736 Washer for 20X536 Screw (⅜" O.D.)
- 177811 Washer for 69X893, H20A174 or 58X350 Screws
- 179789 Nut for 106775 or 261646 Screws
- 261646 Fiber Washer for 58X350 or H12X2 Screws (⅝" O.D.)
- 11X339 Screw Fastening Unit to Base for B-7-38A or B Cabinet, Back Angle Bracket to Side of Base, or Condenser to Base for B-7-38B Cabinet
- 20X536 Screw for H14A19 Strike, H14A20 Strike Case, H15A43 Latch Case or Fastening Front Panel to Utility Basket
- 46X784 Screw Fastening Cabinet to Base
- 58X310 Lockwasher for Skirt to Base
- 58X324 Lockwasher for 11X339 Strike Screw
- 58X325 Lockwasher for H20A159 Screw
- 58X326 Lockwasher for 58X326 Scuff Plate Nut
- 58X326 Nut Fastening Scuff Plate to Outer Door Panel
- 58X350 Screw Fastening Front Panel of Vegetable Drawer or Handle of Utility Basket
- 69X893 Screw Fastening Unit Condenser to Back of Outer Case or H20A170 Clip to Cabinet
- 78X81 Light Receptacle
- 80X132 Washer for H20A62 Screw (½" O.D.)
- GE3014 Connector for Leads
- 1GA21H3 Momentary Contact Switch with 8" Leads
- NP66086B Nameplate Clip

† Refer to Accessories Section for parts included.

‡ H20A282 is fastened to liner with a screw while H20A252 is clamped between liner and liner cover. These parts are not interchangeable.

Always Give Catalog Number

## JB-7-38A, JB-7-38B—Cabinet Parts



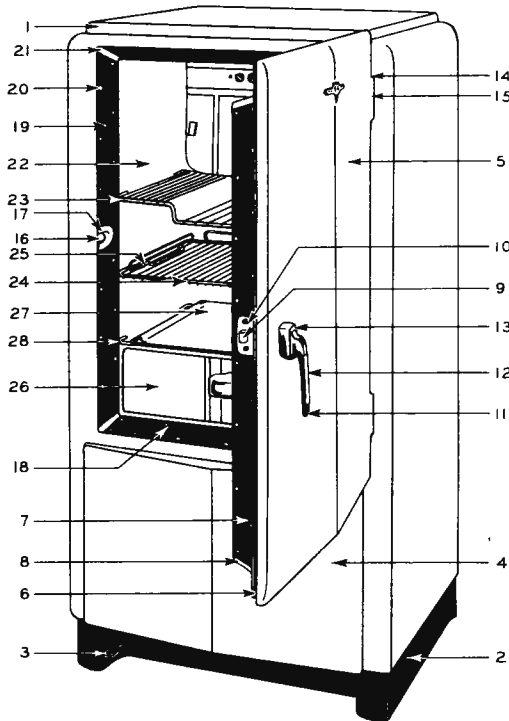
A1R111†	Accessories	H17A117	Shelf (Top, Large)
H3A100	Inner Liner with Shelf Supports	H17A122	Shelf Support for JB-7-38A (¾" long)
H4A34	Cabinet Cover	H17A139	Shelf (Top, Small)
H5A188	Insulation between Inner Liner Cover and Cabinet Cover	H18A3	Washer for H17A90 Shelf Support (½" O.D.)
H5A189	Cabinet Insulation (Set)	H18A18	Washer for 106775 Screw (⅝" O.D.)
H6A120	Refrigerating Machine Compartment Door	H18A22	Washer for 106775 or 261646 Screws (⅞" O.D.)
H6A123	Door Complete (Right-Hand Cabinet)	H18A92	Rivet for H11A20 or H11A47 Tapping Strips
H6A124	Door Complete (Left-Hand Cabinet)	H19A26	Lamp Guard
H7A114	Inner Door Panel	H19A27	Bushing for Light Receptacle
H7A135	Outer Door Panel (Right-Hand Cabinet)	H20A4	Rivet for H11A78, H11A83, H11A87, H11A91, H11A93, H11A98, H11A99 or H11A105 Tapping Strips
H7A136	Outer Door Panel (Left-Hand Cabinet)	H20A6	Screw for Nameplate Clip
H9A25	Door Corner	H20A47	Screw for Hinge
H9A26	Door Jamb Corner	H20A49	Screw for H20A181 Catch
H10A91	Door Strip (Horizontal)	H20A60	Screw for H20A170 Clip, Tube Seal, H20A239 Catch or H20A282 Bracket
H10A95	Door Jamb Strip (Bottom)	H20A62	Screw Fastening H20A243 Spacer to Bottom of Condenser
H10A96	Door Strip (Vertical, Hinge Side)	H20A74	Fiber Washer for H12X2 Screw Fastening Inner Liner Cover to Inner Liner (⅝" O.D.)
H10A97	Door Strip (Vertical, Latch Side, with Escutcheon for Latch Bolt)	H20A86	Screw for H20A161 Clip
H10A101	Door Jamb Strip (Vertical, Latch Side)	H20A110	Rubber Plug for Inner Liner Cover
H10A115	Door Jamb Strip (Top)	H20A117	Lockwasher for Latch Handle Nut
H10A124	Door Jamb Strip (Vertical, Hinge Side)	H20A118	Rivet for H11A59 Tapping Strip
H11A20	Tapping Strip for Outer Case and Hinge	H20A161	Clip for Cabinet Cover (Front)
H11A47	Tapping Strip for Outer Door Panel and Hinge	H20A170	Clip for Cabinet Cover (Back)
H11A49	Tapping Strip for Screw Fastening Inner Liner Cover to Inner Liner, or Spring to Refrigerating Machine Compartment Door	H20A174	Screw Fastening Spring to Refrigerating Machine Compartment Door
H11A59	Tapping Strip for Outer Case and Condenser or Back Clip for Cabinet Cover	H20A181	Catch for Refrigerating Machine Compartment Door
H11A78	Tapping Strip for Inner Liner (Horizontal)	H20A239	Catch for Refrigerating Machine Compartment Door Spring
H11A83	Tapping Strip for Outer Door Panel (Horizontal)	H20A240	Washer for H20A181 Catch (⅞" O.D.)
H11A86	Tapping Strip for Inner Door Panel (Horizontal)	H20A241	Spring for Refrigerating Machine Compartment Door
H11A87	Tapping Strip for Outer Case (Bottom)	H20A242	Rubber Button Spacer for Refrigerating Machine Compartment Door
H11A91	Tapping Strip for Outer Case (Vertical)	H20A243	Rubber Spacer for Bottom of Condenser
H11A93	Tapping Strip for Inner Liner (Vertical)	H20A252‡	Bracket for Separator Release (Early production Cabinets)
H11A96	Tapping Strip for Inner Door Panel (Vertical)	H20A282‡	Bracket for Separator Release (Late production Cabinets)
H11A98	Tapping Strip for Outer Door Panel (Vertical, Latch Side)	H22A25	Insulation for Refrigerating Machine Compartment Door
H11A99	Tapping Strip for Outer Door Panel (Vertical, Hinge Side)	H27A54	Base (JB-7-38A Cabinet)
H11A105	Tapping Strip for Outer Case (Top)	H27A57	Base (JB-7-38B Cabinet)
H12A2	Screw Fastening H17A89 or H17A90 Shelf Supports to Inner Liner	106775	Screw Fastening Condenser to Base (JB-7-38A Cabinet)
H12X2	Screw for Door Strip, Door Jamb Strip, Light Switch or Inner Liner Cover	160980	Washer for 20X536 Screw (¾" O.D.)
H13A104	Seal for Latch Handle	165736	Washer for 69X893 or H20A174 Screws (⅝" O.D.)
H13A148	Gasket between Latch Case and Outer Door Panel	177811	Nut for 106775 or 261646 Screws
H13A153	Rubber Door Gasket	261646	Screw Fastening Unit to Base for JB-7-38A or B Cabinet, Back Angle Bracket to Side of Base, or Condenser to Base for JB-7-38B Cabinet
H13A154	Rubber Gasket for Cabinet Cover	11X339	Screw for H14A19 Strike, H14A20 Strike Case or H15A43 Latch Case
H13A181	Fiber Gasket between Light Switch and Door Jamb Strip	20X536	Screw Fastening Cabinet to Base
H14A19	Strike	58X310	Lockwasher for 11X339 Strike Screw
H14A20	Strike Case	69X893	Screw Fastening Unit Condenser to Back of Outer Case or H20A170 Clip to Cabinet
H15A31	Escutcheon for Latch Handle	78X81	Light Receptacle
H15A41	Escutcheon for Door Strip and Latch Bolt	80X132	Washer for H20A62 Screw (½" O.D.)
H15A43	Latch Case with Bolt, Spring, Gasket and Nut	GE3014	Connector for Leads
H15A44	Spring for Latch Case and Bolt	1GA21H3	Momentary Contact Switch with 8" Leads
H15A45	Nut Fastening Latch Case and Latch Handle to Outer Door Panel	NP67860B	Nameplate Clip
H15A50	Latch Handle without Escutcheon		
H16A37	Hinge with End Covers		
H16A38	Center Cover for Hinge		
H17A89	Shelf Support (Straight)		
H17A90	Shelf Support (Headed)		
H17A116	Shelf (First, Second or Third from Bottom)		

† Refer to Accessories Section for parts included.

‡ H20A282 is fastened to liner with a screw while H20A252 is clamped between liner and liner cover. These parts are not interchangeable.

Always Give Catalog Number

# VP-7A and VP-7C—Cabinet Parts



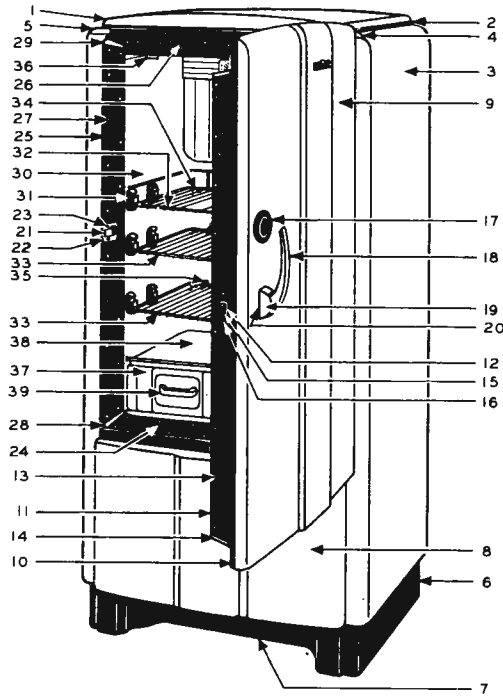
REF. NO.	CATALOG NUMBER		NAME OF PART
	VP-7A	VP-7C	
1.	H4A24	H4A24	TOP COVER FOR CABINET
	H13A71	H13A71	Gasket for Top Cover
	H20A14	H20A14	Clip for Top Cover, Front
	H20A18	H20A18	Clip for Top Cover, Back
	H13A145	H13A145	Gasket for H20A18
	H20A60	H20A60	Screw for H20A14 or H20A18 (No. 8)
	153998	153998	Screw for Refrigerant Line Sealing Plate (10-24)
	179789	-	Washer for 153998 Screw
	1507	1507	Nut for 153998 Screw
	H2A29	H2A29	OUTER CASE, RIGHT-HAND CABINET
	H2A30	H2A30	OUTER CASE, LEFT-HAND CABINET
	69X893	69X893	Screw Fastening Condenser to Outer Case (No. 10)
	165736	165736	Washer for 69X893 Screw
	H27A13	H27A13	BASE FOR CABINET
	279364	279364	Cap Screw Fastening Condenser to Base (5/16 in.-18)
	H18A18	H18A18	Washer for 279364 Screw
2.	H28A11	H28A11	Skirt for Base (Right-Hand Cabinet)
	H28A16	H28A16	Skirt for Base (Left-Hand Cabinet)
	H20A13	H20A13	Clip for Skirt
	11X339	11X339	Screw for H20A13 Clip (10-30)
	106775	106775	Cap Screw Fastening Refrigerating Machine to Base (5/16 in.-18)
	H18A22	H18A22	Washer for 106775 Screw
	177811	177811	Nut for 106775 Screw
	H23A45	H23A45	FOOT PEDAL DOOR OPENER (RIGHT-HAND CABINET)
	H23A46	H23A46	FOOT PEDAL DOOR OPENER (LEFT-HAND CABINET)
	H23A33	H23A33	Foot Pedal with Bracket and Hinge Pin (Right-Hand Cabinet)
	H23A34	H23A34	Foot Pedal with Bracket and Hinge Pin (Left-Hand Cabinet)
	14239	14239	Cotter Pin for Foot Pedal and Rod
	H23A24	H23A24	Sealing Cup with Connecting Rod
	H23A36	H23A36	Connecting Rod Between Foot Pedal and Turnbuckle
	H23A37	H23A37	Connecting Rod Between Sealing Cup and Turnbuckle
	H23A47	H23A47	Connecting Rod Between Sealing Cup and Plunger Rod
	H23A39	H23A39	Turnbuckle for Connecting Rod
	64X973	64X973	Check-Nut for Turnbuckle (Left-Hand Thread)
	64X974	64X974	Check-Nut for Turnbuckle (Right-Hand Thread)
3.	H23A35	H23A35	Rubber Boot for Foot Pedal
	H13A59	H13A59	Gasket for Sealing Cup
	H20A48	H20A48	Screw for H13A59 Gasket (No. 6)
	H20A15	H20A15	Cap Screw for Base and Foot Pedal Bracket (5/16-18)
	6X814	6X814	Lockwasher for H20A15 Screw
	H18A22	H18A22	Washer for H20A15 Screw

\* Refer to Accessories Section for Parts Included.

REF. NO.	CATALOG NUMBER		NAME OF PART
	VP-7A	VP-7C	
4.	H7A101	H7A101	LOWER DOOR PANEL WITH CATCHES
	H20A137	H20A137	Catch for H7A101
	11X339	11X339	Screw for H20A137 (10-30)
	H20A13E	H20A13E	Washer for 11X339
	58X310	58X310	Lockwasher for 11X339
	H20A61	H20A61	Spring Clip for H7A101
	H20A60	H20A60	Screw for H20A61 (No. 8)
5.	H6A81	H6A81	DOOR FOR RIGHT-HAND CABINET
	H6A82	H6A82	DOOR FOR LEFT-HAND CABINET
	H7A95	H7A99	Outer Door Panel (Right-Hand Cabinet)
	H7A100	H7A100	Outer Door Panel (Left-Hand Cabinet)
	H13A65	H13A69	Door Gasket
6.	H10A36	H10A36	Door Strip, Top or Bottom
	H10A37	H10A37	Door Strip, Hinge Side
	H10A38	H10A36	Door Strip, Latch Side
7.	H12X2	H12X2	Screw for Door Strip (10-30)
8.	H9A10	H9A10	Door Corner
	H7A26	H7A26	Inner Door Panel
9.	H15A26	H15A26	Latch with Gasket, Nut, and Lockwasher
	H15A44	H15A44	Spring for Latch
	H15A45	H15A45	Nut for Latch and Handle
	H13A148	H13A148	Gasket Between Latch and Outer Door Panel
	H20A117	H20A117	Lockwasher for H15A45 Nut
10.	H15A27	H15A27	Escutcheon for Latch Bolt
	11X339	11X339	Screw for H15A27 Escutcheon (10-30)
11.	H15A29	H15A29	Latch Handle with Trim
12.	H15A30	H15A30	Trim for Latch Handle
13.	H15A31	H15A31	Escutcheon for Latch Handle
	H13A104	H13A104	Gasket under Latch Handle Escutcheon Plate
14.	H16A26	H16A26	Hinge (Without Cover)
	H16A27	H16A27	Opening Spring Cartridge for Hinge
	H16A28	H16A28	Retarding Spring Cartridge for Hinge
15.	H16A30	H16A30	Cover for Hinge
	H20A47	H20A47	Screw for Hinge (12-28)
	H20A56	H20A56	Gasket for Hinge
	NP62762B	NP62762B	Nameplate Clip
	H20A116	-	Washer for Nameplate Clip
	H20A6	H20A6	Screw for Nameplate Clip (4-48)
16.	H14A13	H14A13	Strike
17.	H23A26	H23A26	Strike Case with Plunger (Right-Hand Cabinet)
	H23A27	H23A27	Strike Case with Plunger (Left-Hand Cabinet)
	11X339	11X339	Screw for H14A13 Strike (10-30)
	58X310	58X310	Lockwasher for 11X339 Screw
	H18A54	H18A54	Door Switch with Leads
	-	H18A6	Spring for H18A54 Switch
18.	H10A39	H10A39	Door Jamb Strip, Top or Bottom
19.	H10A40	H10A40	Door Jamb Strip, Latch Side
	H10A82	H10A82	Door Jamb Strip, Hinge Side (Right-Hand Cabinet)
	H10A83	H10A83	Door Jamb Strip, Hinge Side (Left-Hand Cabinet)
20.	H12X2	H12X2	Screw for Door Jamb Strips (10-30)
21.	H9A13	H9A13	Door Jamb Corner
	H18A133	H18A133	Door Jamb Corner Trim
22.	H3A34	H3A51	INNER LINER WITH SHELF SUPPORTS
	H17A1	H17A1	Shelf Support
	H12A2	H12A2	Screw for Shelf Support (1/4 in.-20)
	H18A3	H18A3	Washer for H12A2 Screw
	H20A110	H20A110	Rubber Plug for Inner Liner Cover
	H12X2	H12X2	Screw Fastening Inner Liner Cover to Inner Liner (10-30)
	H20A74	H20A74	Washer (Fiber) for H12X2 Screw
	H20A75	H20A75	Washer (Rubber) for H12X2 Screw
23.	H17A40	H17A40	Shelf, Top
24.	H17A28	H17A28	Sliding Shelf
25.	H17A29	H17A29	Sliding Shelf Frame
	H20A58	H20A58	Ice Tray Lifter Hook
	-	H19A15	Lamp Receptacle with Retaining Ring & Short Leads
	-	49X972	Retaining Ring for H19A15
	-	H13A142	Rubber Bushing for H19A15
	49X759	-	Lamp Receptacle with Leads
	H20A8	-	Speed Nut for 49X789
	H19A4	H19A4	Lamp Guard
	GE3014	GE3014	Connector for Leads
26.	H30A23	H30A23	VEGETABLE DRAWER WITH COVER
	H30A31	H30A31	Vegetable Drawer with Front Panel
	H30A25	H30A25	Vegetable Drawer Only
26.	H30A32	H30A32	Front Panel for Vegetable Drawer
	66X744	66X744	Screw Fastening Front Panel to Vegetable Drawer (8-32)
	179789	-	Washer for 66X744 Screw
	H30A28	H30A28	Spacer for Vegetable Drawer
27.	H30A27	H30A27	Cover for Vegetable Drawer
	H13X4	H13X4	Rubber Button for Cover Clip on Vegetable Drawer
28.	H30A26	H30A26	Frame with Channels for Vegetable Drawer
	H5A117	H5A117	Cabinet Insulation, Set
	H5A142	H5A142	Insulation Between Inner Liner Cover and Top Cover
	*AIR53	*AIR53	Accessories

Always Give Catalog Number

# PB7-38A—Cabinet Parts



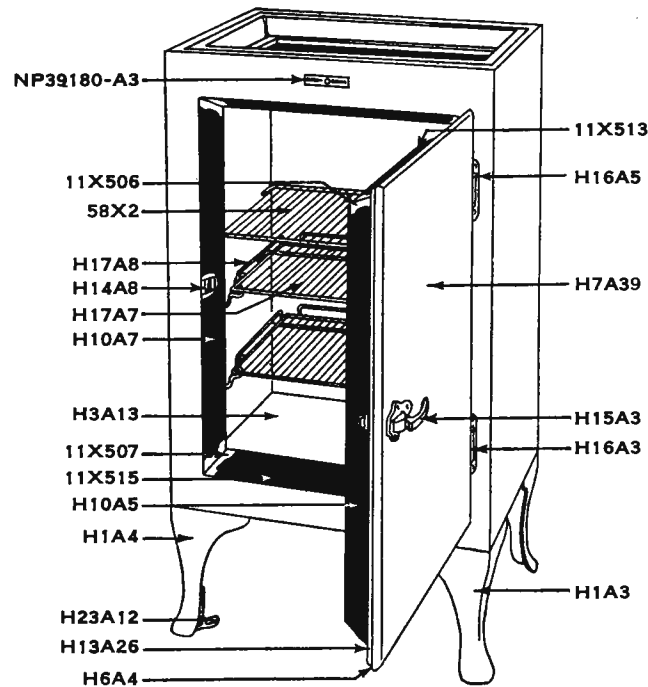
REF. NO.	CAT. NO.	NAME OF PART
1.	H4440	TOP COVER FOR CABINET
2.	H13A154	Gasket for Top Cover
	H20A161	Clip for Top Cover, Front
	H20A86	Screw for H20A161 Clip (10-30)
	H20A170	Clip for Top Cover, Back
	69X893	Screw for H20A170 Clip (No. 10)
	I65736	Washer for 69X893 Screw
	H13A183	Gasket for H20A170 Clip
	H20A60	Screw for H20A170 Clip or Refrigerant Line Sealing Plate (No.8)
	H13A166	Gasket for Refrigerant Line Seal (1-1/4 in. long)
3.	H2A91	OUTER CASE, RIGHT-HAND CABINET
	H2A92	OUTER CASE, LEFT-HAND CABINET
4.	H18A134	Trim for Upper Right-Hand Corner of Outer Case, Front
5.	H18A135	Trim for Upper Left-Hand Corner of Outer Case, Front
	H13A179	Rubber Gasket for H18A134 or H18A135 Trim
	H20A168	Washer for H18A134 or H18A135 Trim (13/32 in. O.D.)
	58X326	Nut Fastening H18A134 or H18A135 Trim to Outer Case
	58X325	Lockwasher for 58X326 Nut
	69X893	Screw Fastening Condenser to Outer Case (No. 10)
	I65736	Washer for 69X893 Screw
	H20A243	Rubber Spacer for Back of Condenser
	H20A62	Screw Fastening H20A243 to Condenser (No. 8)
	80X132	Washer for H20A62 Screw (1/2 in. O.D.)
6.	H27A73	BASE
	I06775	Screw Fastening Condenser to Base (5/16-18)
	I77811	Nut for I06775 Screw
	H18A18	Washer for I06775 Screw (5/8 in. O.D.)
	H18A22	Washer for I06775 Screw (7/8 in. O.D.)
	H20A169	Fiber Washer for I06775 Screw (21/32 in. O.D.)
	20X529	Screw Fastening Cabinet to Base (1/4 in.-20)
	H20A255	Fiber Washer for 20X529 Screw (3/4 in. O.D.)
	I60980	Washer for 20X529 Screw (3/4 in. O.D.)
	H20A254	Rubber Pad Between Base and Cabinet
7.	H28A30	Skirt for Base
	46X784	Screw Fastening Skirt to Base (1/4 in.-20)
	H17A89	Nut for 46X784 Screw
	261646	Screw Fastening Refrigerating Machine to Base (5/16 in.-18)
	H13A22	Washer for 261646 Screw (7/8 in. O.D.)
	I77811	Nut for 261646 Screw
8.	H6A137	LOWER DOOR PANEL
	H20A241	Spring Clip for H6A137 Panel
	H20A174	Screw for H20A241 (10-30)
	I65736	Washer for H20A174
	H20A242	Rubber Button Spacer for H6A137
	H20A181	Support for H6A137
	H20A49	Screw for H20A181 (No. 8)
	H20A240	Washer for H20A181 (7/8 in. O.D.)
	H20A239	Catch for Spring Clip H20A241
	H20A60	Screw for H20A239 (No. 8)
	H6A204	DOOR FOR RIGHT-HAND CABINET

REF. NO.	CAT. NO.	NAME OF PART
	H6A205	DOOR FOR LEFT-HAND CABINET
9.	H7A189	Outer Door Panel (Right-Hand Cabinet)
	H7A190	Outer Door Panel (Left-Hand Cabinet)
10.	H13A193	Door Gasket
	H10A91	Door Strip, Top or Bottom
	H10A96	Door Strip, Hinge Side
11.	H10A97	Door Strip, Latch Side, With Escutcheon for Latch Bolt
12.	H15A41	Escutcheon for Door Strip and Latch Bolt
13.	H12X2	Screw for Door Strip (10-30)
14.	H9A25	Door Corner
	H7A114	Inner Door Panel
15.	H15A43	Latch, with Gasket, Nut, and Lockwasher
	H15A44	Spring for Latch
	H15A45	Nut for Latch and Handle
	H13A148	Gasket between Latch and Outer Door Panel
	H20A117	Lockwasher for H15A45
16.	H1X339	Screw fastening Latch to Door Strip (10-30)
17.	H15A42	Scuff Plate and Clip for Latch Handle
	H20A251	Rubber Washer Between Scuff Plate Clip and Door Panel
	58X326	Nut for Scuff Plate
	58X325	Lockwasher for Cat. 58X326
18.	H15A46	Latch Handle without Escutcheon
19.	H15A47	Escutcheon for Latch Handle
20.	H13A149	Gasket Between Latch Handle and Door Panel
	H16A35	Hinge with End Covers
	H16A36	Center Cover for Hinge
	H20A47	Screw for Hinge (12-28)
	H20A56	Gasket Between Hinge and Outer Case or Outer Door Panel
	NP660E6B	Nameplate Clip
	H20A6	Screw for Nameplate Clip (4-48)
21.	H14A19	Strike
22.	H14A20	Strike Case
23.	H1X339	Screw for H14A19 and H14A20 (10-30)
	58X310	Lockwasher for H1X339
	1GA21H3	Door Switch with 8 in. Leads
	H12X2	Screw for 1GA21H3 (10-30)
24.	H10A95	Door Jamb Strip, Bottom
25.	H10A101	Door Jamb Strip, Latch Side
26.	H10A115	Door Jamb Strip, Top
	H10A124	Door Jamb Strip, Hinge Side
27.	H12X2	Screw for Door Jamb Strip (10-30)
28.	H9A26	Door Jamb Corner
29.	H18A136	Door Jamb Corner Trim
30.	H3A99	INNER LINER WITH SHELF SUPPORTS
	H17A89	Shelf Support, Straight (1/2 in. long)
	H17A122	Shelf Support, Straight (3/4 in. long)
	H17A90	Shelf Support, Headed
	H18A3	Washer for H17A90 (1/2 in. O.D.)
	H12A2	Screw for Straight or Headed Shelf Support (1/4 in.-20)
31.	H17A96	Shelf Support (Double Slot, 3/4 in. thick)
	H17A111	Fiber Washer for H17A96
	H20A159	Screw for H17A96 (10-30)
	58X324	Lockwasher for H20A159
	H20A253	Rubber Spacer for Shelf Support
	H20A110	Rubber Plug for Inner Liner Cover
	H12X2	Screw Fastening Inner Liner Cover to Inner Liner (10-30)
	H20A74	Fiber Washer for H12X2 (5/8 in. O.D.)
	H17A139	Shelf (Top, Small)
32.	H17A138	Shelf with Stop (Top, Large)
33.	H17A108	Shelf with Stop (First or Second from Bottom)
34.	H17A105	Stop for Shelf
	H17A140	Removable Half Shelf
35.	H20A248	Rubber Bumper for Shelf
36.	H20A282	Bracket for Separator Release
	H20A60	Screw for H20A282 (No. 8)
	78X81	Lamp Receptacle
	H19A27	Bushing for Lamp Receptacle
	H19A26	Lamp Guard
	GE3014	Connector for Leads
	A21R53	UTILITY BASKET
	A21R54	Wire Partition for Utility Basket
	A21R55	Front Panel for Utility Basket
	H1X339	Screw Fastening Front Panel to Utility Basket (10-30)
	I79789	Fiber Washer for H1X339 (13/32 in. O.D.)
	H30A34	Handle for Utility Basket
	58X350	Screw for H30A34 (No. 10)
	I65736	Washer for 58X350 (5/8 in. O.D.)
	A21R56	Wire Basket less Front Panel and Partitions
37.	H30A35	VEGETABLE DRAWER
	H30A37	Pan for Vegetable Drawer
	H30A38	Front Panel for Vegetable Drawer
	58X350	Screw for H30A38 (No. 10)
	I797E9	Fiber Washer for 58X350 (13/32 in. O.D.)
	H20A250	Washer Between Front Panel & Pan for Vegetable Drawer (1" O.D.)
38.	H30A43	Cover for Vegetable Drawer
35.	H30A34	Handle for Vegetable Drawer
	H20A257	Support for Shelf and Drawer
	H20A249	Rubber Button for H20A257
	H5A213	Cabinet Insulation (set)
	H5A186	Insulation Between Inner Liner Cover and Cabinet Cover
	H22A25	Insulation for Lower Door Panel
	*A1R126	Accessories

\* Refer to the Accessories Section for Parts Included.

Always Give Catalog Number

## HX-70A — Cabinet Parts



A1R14†	Accessories	H18A57	Porcelain Ring for Lamp Socket
A1R20†	Accessories (with DR-2F or D-2 Unit)	H18A76	Shim for Latch
GE2291	Flush Cup for Lamp Plug	H18A80	Top Adapter with Gasket for DR-2F and D-2
H1A3	Leg without Bracket (11 $\frac{3}{8}$ "')	H18A94	Escutcheon Plate for H10A5 Door Strip
H1A4	Leg with Bracket (11 $\frac{3}{8}$ "')	H20A15	Cap Screw for Leg
H1A6	Leg with Bracket (6"')	H20A25	Guard for Leg (Old Style)
H3A13	Inner Liner	H23A1	Plunger with Bell Crank and Connector for Door Opener
H5A14	Cabinet Insulation (Set)	H23A2	Torsion Spring for Plunger
H6A4	Door Complete	H23A3	Hinge Pin for Bell Crank or Foot Pedal and Connector
H7A39*	Outer Door Panel (Modified)	H23A4	Tension Spring between Connectors
H10A5	Door Strip with Escutcheon Plate (Vertical, Latch Side)	H23A5	Connector for Connecting Wire and Tension Spring
H10A6	Door Jamb Strip (Vertical, Hinge Side)	H23A6	Connector for Connecting Wire and Foot Pedal
H10A7	Door Jamb Strip with Escutcheon Plate (Vertical, Latch Side)	H23A7	Set Screw for Connector
H12A4	Screw for Sealing Cup	H23A8	Connecting Wire
H12A10	Hardware Screw (except Strike)	H23A9	Tube for Connecting Wire
H13A26	Rubber Door Gasket	H23A10	Sealing Cup for H23A9 Tube
H13A32	Gasket for Leg	H23A11	Felt Washer for H23A10 Sealing Cup
H13A34	Gasket for H18A53 Flush Cup	H23A12	Foot Pedal with Bracket
H13A35	Gasket for H18A52 Lamp Socket	H23A13	Guard for Leg (Right)
H14A8	Strike	H23A14	Guard for Leg (Left)
H14A9	Strike and Case	H23A15	Foot Pedal Door Opener Complete with Tapped Strip (Right)
H14A10	Case for Strike	H23A16	Foot Pedal Door Opener Complete with Tapped Strip (Left)
H15A3	Latch	11X10	Leg without Bracket (6"')
H15A4	Latch Bolt with Rivet	11X339	Screw for Door Strip, Door Jamb Strip, Foot Pedal or Strike
H15A49	Latch Handle Spring	11X340	Screw for Nameplate
H15A54	Latch Handle Pin	11X506	Door Corner
H16A3	Hinge (Lower)	11X507	Door Jamb Corner
H16A5	Hinge (Upper)	11X509	Inner Door Panel
H17A7	Sliding Shelf	11X513	Door Strip (Horizontal)
H17A8	Frame for Sliding Shelf	11X514	Door Strip (Vertical, Hinge Side)
H18A18	Washer for H20A15 Cap Screw	11X515	Door Jamb Strip (Horizontal)
H18A19	Washer for Foot Pedal Screw	11X517	Sponge Gasket for Inner Liner
H18A37	Nut for Lamp Socket	58X2	Shelf (Top Adjustable)
H18A50	Spring Cotter for Hinge Pin		
H18A51	Washer for Hinge Pin		
H18A52	Lamp Socket		
H18A54	Momentary Contact Switch with Leads		

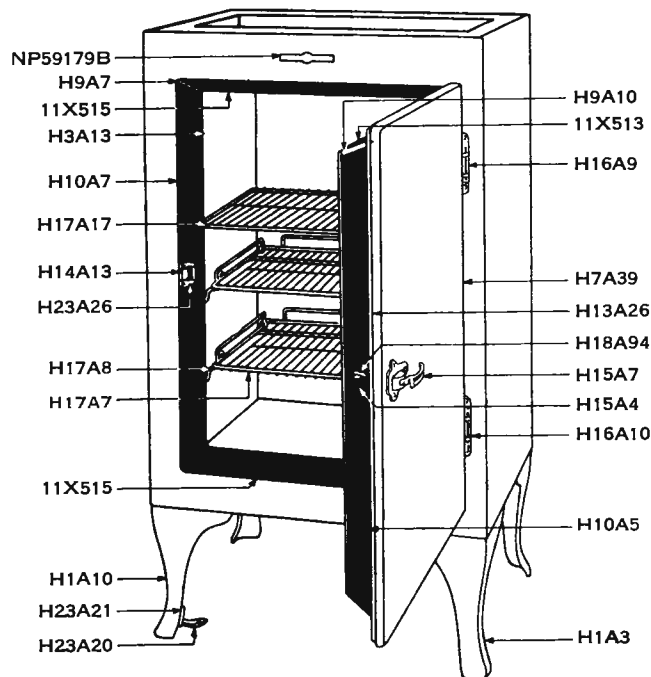
\* Door Gasket Included.

† Refer to Accessories Section for parts included.

Note: A few of these cabinets were called HX-67.

Always Give Catalog Number

## X-7B—Cabinet Parts



A1R24†	Accessories	H18A54	Momentary Contact Switch with Leads
H1A3	Leg without Bracket (11 $\frac{1}{8}$ "")	H18A94	Escutcheon Plate for Door Strip (Latch Side)
H1A10	Leg with Bracket (11 $\frac{1}{8}$ "")	H18A102	Tapping Strip for Door (Outer, Horizontal)
H1A11	Leg with Bracket (5 $\frac{3}{4}$ "")	H18A103¶	Tapping Strip for Door (Outer, Vertical)
H3A13	Inner Liner	H19A4	Lamp Guard
H5A31	Cabinet Insulation (Set)	H20A4	Rivet for Tapping Strip
H6A14	Door Complete	H20A6	Screw for Nameplate Clip
H7A39*	Outer Door Panel (Modified)	H20A8	Speed Nut for 49X563 and 49X564 Receptacles
H9A7	Door Jamb Corner	H20A9	Retaining Washer for 49X542 Receptacle
H9A10	Door Corner	H20A10	Lock Nut for 49X542 Receptacle
H10A5	Door Strip with Escutcheon Plate (Latch Side)	H20A11	Shim for H20A10 Nut
H10A6	Door Jamb Strip (Hinge Side)	H20A12	Guard for Leg
H10A7	Door Jamb Strip (Latch Side)	H20A15	Cap Screw for Leg
H11A1	Tapping Strip for Inner Liner (Vertical)	H23A20	Foot Pedal with Hinge, Bolt, Nut and Washer
H11A2	Tapping Strip for Inner Liner (Horizontal)	H23A21	Ball Joint Connector
H11A3	Tapping Strip for Door (Inner, Vertical)	H23A22	Lock Nut
H11A4	Tapping Strip for Door (Inner, Horizontal)	H23A23	Connecting Rod (Lower for Long Leg)
H11A23¶	Tapping Strip with Latch Strip for Door (Outer, Latch Side)	H23A24	Sealing Cup with Rod
H12A4	Screw for Sealing Cup and Gasket	H23A26	Strike Case with Plunger (Right-Hand Cabinet)
H12A10	Hardware Screw (except Strike)	H23A27	Strike Case with Plunger (Left-Hand Cabinet)
H13A26	Rubber Door Gasket	H23A28	Foot Pedal Door Opener
H13A32	Gasket for Leg	H23A29	Connecting Rod (Upper)
H13A59	Gasket for Sealing Cup	H23A30	Connecting Rod (Lower, for Short Legs)
H13A60	Gasket for 49X542 Receptacle	89943	Nut for Foot Pedal Bolt
H14A13	Strike	11X10	Leg without Bracket (5 $\frac{3}{4}$ "")
H15A4	Latch Bolt with Rivet	11X339	Screw for Door Strip, Door Jamb Strip or Strike
H15A7	Latch	11X509	Inner Door Panel
H15A49	Latch Handle Spring	11X513	Door Strip (Horizontal)
H15A54	Latch Handle Pin	11X514	Door Strip (Hinge Side)
H16A9	Hinge (Upper)	11X515	Door Jamb Strip (Horizontal)
H16A10	Hinge (Lower)	11X517	Sponge Rubber Gasket for Inner Liner
H17A7	Sliding Shelf	49X542	Flush Cup Receptacle with Leads
H17A8	Frame for Sliding Shelf	49X789	Light Receptacle (Right-Hand Cabinet)
H17A17	Top Shelf	49X564	Light Receptacle (Left-Hand Cabinet)
H18A18	Washer for H20A15 Cap Screw	61X327	Lockwasher for 89943 Nut
H18A22	Washer for Short Leg	NP59179B	Clip for Nameplate

¶ Doors have been manufactured with two designs of Tapping Strips for Door (Outer, Latch Side). One design uses Tapping Strip only Cat. H18A103; the other, Tapping Strip with Latch Strip Cat. H11A23. Care should be taken to determine the Tapping Strip required.

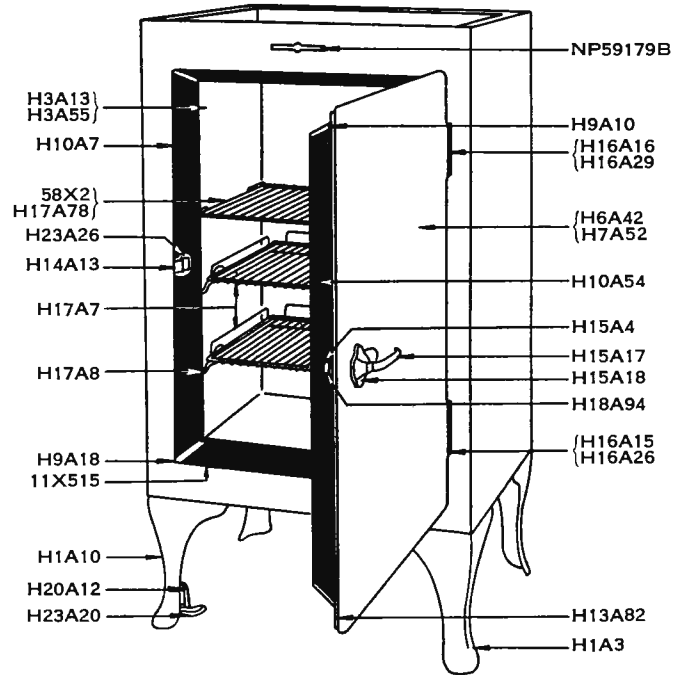
\* Door Gasket Included.

† Refer to Accessories Section for parts included.

Always Give Catalog Number



## X-7C, M-7A and M-7C—Cabinet Parts

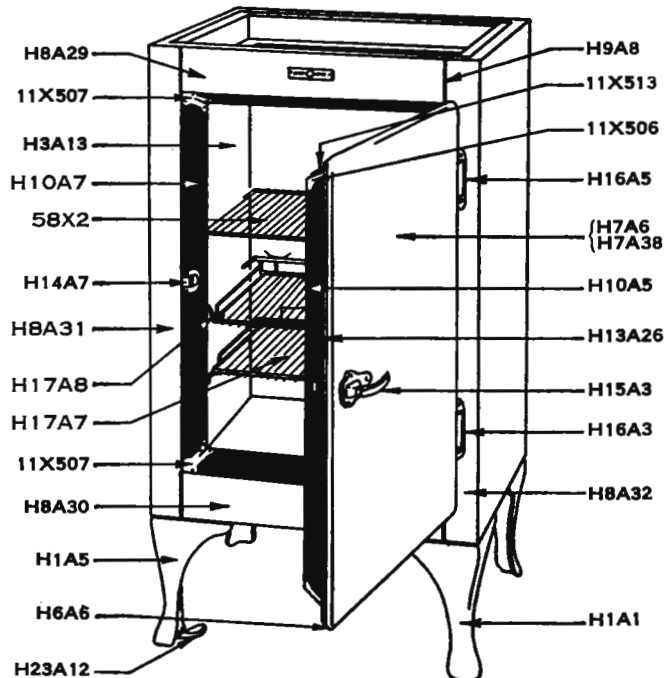


Name of Part	Cat. No.		
	X-7C	M-7A	M-7C
†Accessories	A1R47	A1R57	A1R57
Leg without Bracket (11 $\frac{1}{8}$ " )	H1A3	H1A3	H1A3
Leg with Bracket (11 $\frac{1}{8}$ " )	H1A10	H1A10	H1A10
Leg with Bracket (5 $\frac{3}{8}$ " )	H1A11	H1A11	H1A11
Inner Liner	H3A13	H3A13	H3A55
Cabinet Insulation (Kimsul, 18' Roll)	H5X20	H5X20	H5X20
Door Complete	H6A42	H6A42	H6A42
Outer Door Panel	H7A52	H7A52	H7A52
Door Corner	H9A10	H9A10	H9A10
Door Jamb Corner	H9A18	H9A18	H9A18
Door Jamb Strip (Vertical, Latch Side)	H10A7	H10A7	H10A7
Door Strip with Escutcheon Plate (Latch Side)	H10A54	H10A54	H10A54
Door Strip (Vertical, Hinge Side)	H10A55	H10A55	H10A55
Door Strip (Horizontal)	H10A56	H10A56	H10A56
Door Jamb Strip (Vertical, Hinge Side, use with Door Spring)	H10A57	H10A57	
Door Jamb Strip (Vertical, Hinge Side, Right-Hand Cabinet, use with Spring in Hinge)		H10A87	H10A87
Door Jamb Strip (Vertical, Hinge Side, Left-Hand Cabinet, use with Spring in Hinge)		H10A88	H10A88
Tapping Strip for Inner Liner (Vertical)	H11A1	H11A1	H11A1
Tapping Strip for Inner Liner (Horizontal)	H11A2	H11A2	H11A2
Tapping Strip for Door (Inner, Vertical)	H11A3	H11A3	H11A3
Tapping Strip for Door (Inner, Horizontal)	H11A4	H11A4	H11A4
Tapping Strip for Hinge and Outer Case	H11A20	H11A20	H11A20
Tapping Strip for Outer Case (Vertical)	H11A41	H11A41	H11A41
Tapping Strip for Hinge and Door	H11A47	H11A47	H11A47
Tapping Strip for Door and Latch	H11A48	H11A48	H11A48
Tapping Strip for Outer Case (Horizontal)	H11A50	H11A50	H11A50
Screw for Sealing Cup and Gasket	H12A4		
Screw for Door Strip or Door Jamb Strip	H12X2	H12X2	H12X2
Gasket for Leg	H13A32	H13A32	H13A32
Gasket for Sealing Cup	H13A59	H13A59	H13A59
Gasket for 49X542 Receptacle	H13A60	H13A60	H13A60
Rubber Door Gasket	H13A82	H13A82	H13A82
Shim between Door Strip and Tapping Strip (Horizontal)	H13A85		
Shim between Door Strip and Tapping Strip (Vertical)	H13A86		
Rubber Bushing for Lamp Receptacle			H13A142
Strike	H14A13	H14A13	H14A13
Latch Bolt with Rivet	H15A4	H15A4	H15A4
Latch	H15A17	H15A17	H15A17
Escutcheon Plate for Latch	H15A18	H15A18	H15A18
Latch Handle Spring	H15A55	H15A55	H15A55
Latch Handle Pin	H15A56	H15A56	H15A56
Hinge (use with Cover 3 $\frac{3}{8}$ " long)	H16A15	H16A15	
Cover for H16A15 Hinge	H16A16	H16A16	
Hinge (use with Cover 3 $\frac{1}{2}$ " long)		H16A26	H16A26
Opening Spring Cartridge for Hinge		H16A27	H16A27
Retarding Spring Cartridge for Hinge		H16A28	H16A28
Cover for H16A26 Hinge		H16A29	H16A29

Name of Part	Cat. No.		
	X-7C	M-7A	M-7C
Top Shelf	58X2	H17A78	H17A78
Sliding Shelf	H17A7	H17A7	H17A7
Frame for Sliding Shelf	H17A8	H17A8	H17A8
Washer for H20A15 Cap Screw	H18A18	H18A18	H18A18
Washer for Short Leg	H18A22	H18A22	H18A22
Momentary Contact Switch with Leads	H18A54	H18A54	H18A54
Rivet for H11A20, H11A47, H11A48			
Tapping Strips	H18A92	H18A92	H18A92
Escutcheon Plate for Door Strip (Latch Side)	H18A94	H18A94	H18A94
Tapping Strip for Door (Outer, Horizontal)	H18A102	H18A102	H18A102
Tapping Strip for Door (Outer, Vertical)	H18A103	H18A103	H18A103
Lamp Guard	H19A4	H19A4	H19A5
Spring for H18A54 Switch			H19A6
Light Receptacle with Retaining Ring and Short Leads			H19A15
Rivet for Tapping Strip and Inner Liner	H20A4	H20A4	
Screw for Nameplate Clip	H20A6		
Speed Nut for 49X563 or 49X564 Receptacles	H20A8	H20A8	
Retaining Washer for 49X542 Receptacle	H20A9	H20A9	H20A9
Lock Nut for 49X542 Receptacle	H20A10	H20A10	H20A10
Shim for H20A10 Nut	H20A11		
Guard for Leg	H20A12	H20A12	H20A12
Cap Screw for Leg	H20A15	H20A15	H20A15
Screw for Hinge	H20A47	H20A47	H20A47
Screw for Sealing Cup and Gasket	H20A48	H20A48	H20A48
Door Spring	H20A57	H20A57	H20A57
Tray Lifter Hook	H20A98	H20A98	H20A98
Foot Pedal with Hinge, Bolt, Nut and Washer	H23A20	H23A20	H23A20
Ball Joint Connector	H23A21	H23A21	H23A21
Lock Nut for H23A21 Connector	H23A22	H23A22	H23A22
Connecting Rod (Lower, for Long Leg)	H23A23	H23A23	H23A23
Sealing Cup with Rod	H23A24	H23A24	H23A24
Strike Case with Plunger (Right-Hand Cabinet)	H23A26	H23A26	H23A26
Strike Case with Plunger (Left-Hand Cabinet)	H23A27	H23A27	H23A27
Foot Pedal Door Opener	H23A28	H23A28	H23A28
Connecting Rod (Upper)	H23A29	H23A29	H23A29
Connecting Rod (Lower, for Short Leg)	H23A30	H23A30	H23A30
Nut for Foot Pedal Bolt	89943	89943	89943
Screw for Latch	144066	144066	144066
Leg without Bracket (5 $\frac{3}{8}$ " )	11X10	11X10	11X10
Screw for Strike	11X339	11X339	11X339
Inner Door Panel	11X509	11X509	11X509
Door Jamb Strip (Horizontal)	11X515	11X515	11X515
Sponge Rubber Gasket for Inner Liner	11X517		
Flush Cup Receptacle with Leads	49X542	49X542	49X542
Light Receptacle	49X789	49X789	
Retaining Ring for Lamp Receptacle			49X972
Lockwasher for Strike Screw		58X310	58X310
Lockwasher for 89943 Nut	61X327	61X327	61X327
Clip for Nameplate	NP59179B		
Connector for Leads		GE3014	GE3014

† Refer to Accessories Section for parts included.

## HT-70A — Cabinet Parts



- |        |   |        |   |
|--------|---|--------|---|
| A1R21† | Accessories (with DR-2F or D-2 Unit)                    | H18A40 | Shim for Hinge (Cabinet)                                  |
| GE2291 | Flush Cup for Lamp Plug                                 | H18A41 | Washer for Hinge (Cabinet)                                |
| H1A1   | Leg without Bracket (11 $\frac{3}{8}$ "")               | H18A42 | Washer for Latch  |
| H1A5   | Leg with Bracket (11 $\frac{3}{8}$ "")                  | H18A43 | Fiber Washer for Leg                                      |
| H1A7   | Leg with Bracket (6")                                   | H18A50 | Spring Cotter for Hinge Pin                               |
| H3A13  | Inner Liner   | H18A51 | Washer for Hinge Pin                                      |
| H5A13  | Cabinet Insulation (Set)                                | H18A52 | Lamp Socket   |
| H6A6   | Door Complete   | H18A54 | Momentary Contact Switch with Leads                       |
| H7A6   | Outer Door Panel  | H18A57 | Porcelain Ring for H18A52 Lamp Socket                     |
| H7A38† | Outer Door Panel (Modified)                             | H18A76 | Shim for Latch  |
| H8A29  | Top Front Panel   | H18A81 | Top Adapter with Gasket for DR-2F and D-2 Units           |
| H8A30  | Bottom Front Panel                                      | H18A90 | "A" Frame for Outer Door Panel                            |
| H8A31* | Latch Side Panel  | H18A92 | Rivets for H18A90 Frame                                   |
| H8A32* | Hinge Side Panel  | H18A93 | Rubber Bushings for Hinge Holes                           |
| H9A8   | Metal Trim  | H18A94 | Escutcheon Plate for H10A5 Door Strip                     |
| H10A5  | Door Strip with Escutcheon Plate (Vertical, Latch Side) | H23A1  | Plunger with Bell Crank and Connector for Door Opener     |
| H10A6  | Door Jamb Strip (Vertical, Hinge Side)                  | H23A2  | Torsion Spring for Plunger                                |
| H10A7  | Door Jamb Strip (Vertical, Latch Side)                  | H23A3  | Hinge Pin for Bell Crank or Foot Pedal and Connector      |
| H12A4  | Screw for Gasket or Sealing Cup                         | H23A4  | Tension Spring between Connectors                         |
| H12A8  | Screw for Panels  | H23A5  | Connector for Connecting Wire and Tension Spring          |
| H12A9  | Cap Screw for Leg                                       | H23A6  | Connector for Connecting Wire and Foot Pedal              |
| H12A10 | Hardware Screw (except Strike)                          | H23A7  | Set Screw for Connector                                   |
| H12A14 | Screw for Nameplate                                     | H23A8  | Connecting Wire   |
| H13A26 | Rubber Door Gasket                                      | H23A9  | Tube for H23A8 Connecting Wire                            |
| H13A34 | Gasket for H18A53 Flush Cup                             | H23A10 | Sealing Cup for H23A9 Tube                                |
| H13A35 | Gasket for H18A52 Lamp Socket                           | H23A11 | Felt Washer for Sealing Cup                               |
| H13A36 | Sponge Rubber Gasket for Side Panel                     | H23A12 | Foot Pedal with Bracket                                   |
| H13A37 | Sponge Rubber Gasket for Top or Bottom Panels           | H23A13 | Guard for Leg (Right)                                     |
| H14A7  | Strike  | H23A14 | Guard for Leg (Left)                                      |
| H14A10 | Case for Strike   | H23A17 | Foot Pedal Door Opener Complete with Tapped Strip (Right) |
| H14A11 | Strike and Case   | H23A18 | Foot Pedal Door Opener Complete with Tapped Strip (Left)  |
| H15A3  | Latch   | 11X11  | Leg without Bracket (6")                                  |
| H15A4  | Latch Bolt with Rivet                                   | 11X339 | Screw for Door Strip, Door Jamb Strip or Foot Pedal       |
| H15A49 | Latch Handle Spring                                     | 11X506 | Door Corner   |
| H15A54 | Latch Handle Pin  | 11X507 | Door Jamb Corner  |
| H16A3  | Hinge (Lower)   | 11X509 | Inner Door Panel  |
| H16A5  | Hinge (Upper)   | 11X513 | Door Strip (Horizontal)                                   |
| H17A7  | Sliding Shelf   | 11X514 | Door Strip (Vertical, Hinge Side)                         |
| H17A8  | Frame for Sliding Shelf                                 | 11X515 | Door Jamb Strip (Horizontal)                              |
| H18A18 | Washer for H12A9 Screw                                  | 11X517 | Gasket for Inner Liner                                    |
| H18A19 | Washer for Foot Pedal Screw                             | 58X2   | Shelf (Top Adjustable)                                    |
| H18A28 | Washer for H12A14 Screw                                 | 58X24† | Accessories   |
| H18A37 | Nut for H18A52 Lamp Socket                              |        |   |
| H18A38 | Washer for H12A8 Screw                                  |        |   |
| H18A39 | Shim for Hinge (Door)                                   |        |   |

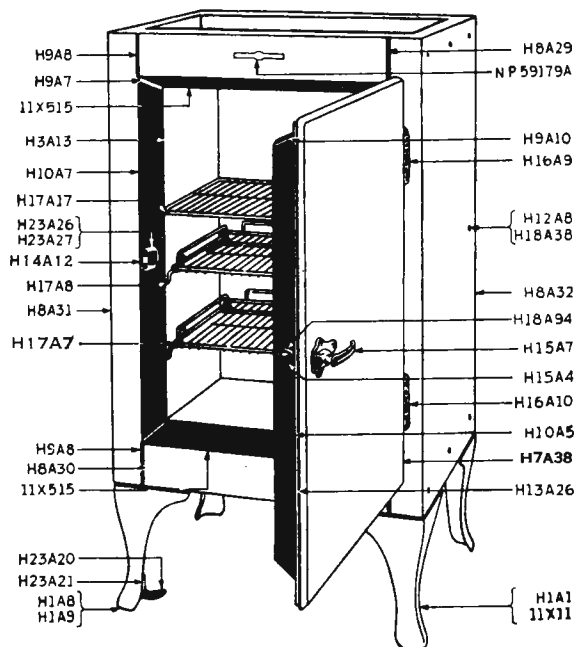
\* Panels furnished with eight screw holes as standard equipment. Panels with six screw holes can be furnished. If Panel for six screw holes required, purchase order must specify accordingly.

† Door Gasket Included.

‡ Refer to Accessories Section for parts included.

Note: A few of these Cabinets were called HT-67

## T-7B—Cabinet Parts



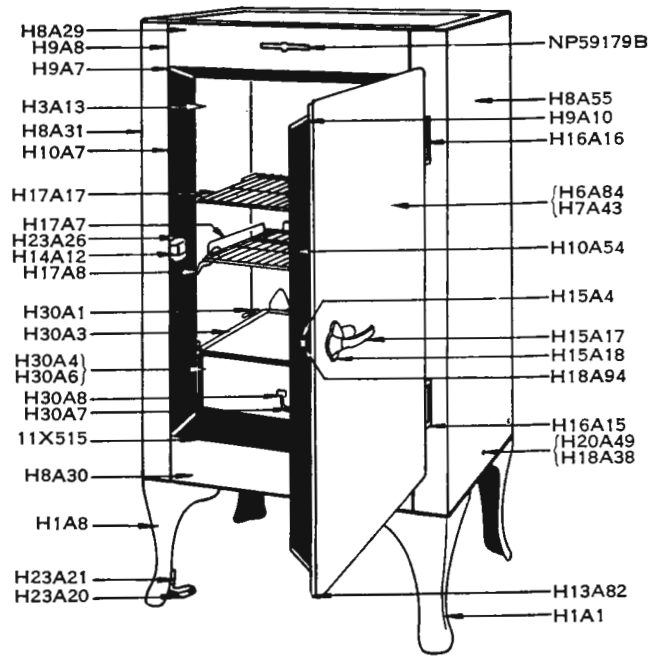
- |        |   |          |   |
|--------|---|----------|---|
| A1R23† | Accessories                                   | H18A22   | Washer for Short Leg                            |
| H1A1   | Leg without Bracket (11 $\frac{1}{8}$ "       | H18A38   | Washer for H12A8 Screw                          |
| H1A8   | Leg with Bracket (11 $\frac{1}{8}$ "          | H18A39   | Shim between Hinge and Door                     |
| H1A9   | Leg with Bracket (5 $\frac{3}{4}$ "           | H18A43   | Fiber Washer for Leg                            |
| H3A13  | Inner Liner                                   | H18A54   | Momentary Contact Switch with Leads             |
| H5A27  | Cabinet Insulation (Set)                      | H18A90   | Door Brace                                      |
| H6A13  | Door Complete                                 | H18A92   | Rivet for Door Brace                            |
| H7A38* | Outer Door Panel                              | H18A94   | Escutcheon Plate for Door Strip (Latch Side)    |
| H8A29  | Top Front Panel                               | H18A102  | Tapping Strip for Door (Outer, Horizontal)      |
| H8A30  | Bottom Front Panel                            | H18A103  | Tapping Strip for Door (Outer, Vertical)        |
| H8A31  | Latch Side Panel                              | H19A4    | Lamp Guard                                      |
| H8A32  | Hinge Side Panel                              | H20A4    | Rivet for Tapping Strip                         |
| H9A7   | Door Jamb Corner                              | H20A5    | Washer between Hinge and Cabinet (0.134")       |
| H9A8   | Metal Trim                                    | H20A6    | Screw for Nameplate Clip                        |
| H9A10  | Door Corner                                   | H20A7    | Washer between Hinge and Cabinet (0.020")       |
| H10A5  | Door Strip with Escutcheon Plate (Latch Side) | H20A8    | Speed Nut for 49X563 and 49X564 Receptacles     |
| H10A6  | Door Jamb Strip (Hinge Side)                  | H20A9    | Retaining Washer for 49X542 Receptacle          |
| H10A7  | Door Jamb Strip (Latch Side)                  | H20A10   | Lock Nut for 49X542 Receptacle                  |
| H11A1  | Tapping Strip for Inner Liner (Vertical)      | H20A11   | Shim for H20A10 Nut                             |
| H11A2  | Tapping Strip for Inner Liner (Horizontal)    | H23A19   | Foot Pedal Door Opener                          |
| H11A3  | Tapping Strip for Door (Inner, Vertical)      | H23A20   | Foot Pedal with Hinge, Bolt, Nut and Washer     |
| H11A4  | Tapping Strip for Door (Inner, Horizontal)    | H23A21   | Ball Joint Connector                            |
| H12A4  | Screw for Sealing Cup and Gasket              | H23A22   | Lock Nut for H23A21 Connector                   |
| H12A8  | Screw for Side Panel                          | H23A23   | Connecting Rod (Lower for Long Legs)            |
| H12A9  | Cap Screw for Leg                             | H23A24   | Sealing Cup with Rod                            |
| H12A10 | Hardware Screw (except Strike)                | H23A25   | Connecting Rod (Upper)                          |
| H13A26 | Rubber Door Gasket                            | H23A26   | Strike Case with Plunger (Right-Hand Cabinet)   |
| H13A36 | Sponge Rubber Gasket for Side Panel           | H23A27   | Strike Case with Plunger (Left-Hand Cabinet)    |
| H13A37 | Sponge Rubber Gasket for Top or Bottom Panel  | H23A30   | Connecting Rod (Lower, for Short Legs)          |
| H13A59 | Gasket for Sealing Cup                        | 89943    | Nut for Foot Pedal Bolt                         |
| H13A60 | Gasket for 49X542 Receptacle                  | 11X11    | Leg without Bracket (5 $\frac{3}{4}$ "          |
| H14A12 | Strike  | 11X339   | Screw for Door Strip, Door Jamb Strip or Strike |
| H15A4  | Latch Bolt with Rivet                         | 11X509   | Inner Door Panel                                |
| H15A7  | Latch   | 11X513   | Door Strip (Horizontal)                         |
| H15A49 | Latch Handle Spring                           | 11X514   | Door Strip (Hinge Side)                         |
| H15A54 | Latch Handle Pin                              | 11X515   | Door Jamb Strip (Horizontal)                    |
| H16A9  | Hinge (Upper)                                 | 11X517   | Sponge Rubber Gasket for Inner Liner            |
| H16A10 | Hinge (Lower)                                 | 49X542   | Flush Cup Receptacle with Leads                 |
| H17A7  | Sliding Shelf                                 | 49X789   | Light Receptacle                                |
| H17A8  | Frame for Sliding Shelf                       | 61X327   | Lockwasher for 89943 Nut                        |
| H17A17 | Top Shelf                                     | NP59179B | Clip for Nameplate                              |
| H18A18 | Washer for H12A9 Cap Screw                    |          |   |

\* Door Gasket Included.

† Refer to Accessories Section for parts included.

Always Give Catalog Number

## T-7C—Cabinet Parts

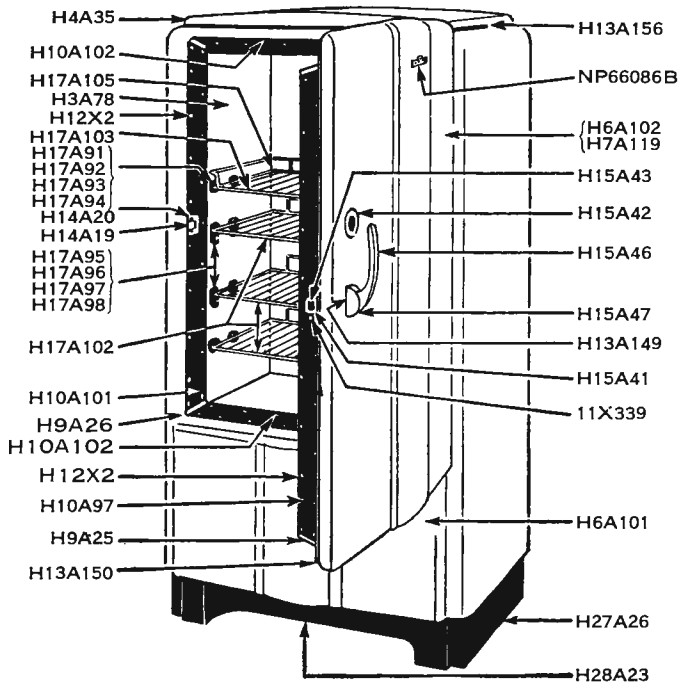


- |         |   |          |  |
|---------|---|----------|--|
| A1R42†  | Accessories   | H18A103  | Tapping Strip for Door (Outer, Vertical)               |
| H1A1    | Leg without Bracket (11 $\frac{1}{8}$ "")               | H19A4    | Lamp Guard   |
| H1A8    | Leg with Bracket (11 $\frac{1}{8}$ "")                  | H20A6    | Screw for Nameplate Clip                               |
| H1A9    | Leg with Bracket (5 $\frac{3}{4}$ "")                   | H20A8    | Speed Nut for 49X563 or 49X564 Receptacles             |
| H3A13   | Inner Liner   | H20A9    | Retaining Washer for 49X542 Receptacle                 |
| H5A27   | Cabinet Insulation (Set)                                | H20A10   | Lock Nut for 49X542 Receptacle                         |
| H6A84   | Door Complete   | H20A11   | Shim for H20A10 Nut                                    |
| H7A43   | Outer Door Panel  | H20A47   | Screw for Hinge  |
| H8A29   | Top Front Panel   | H20A48   | Screw for Sealing Cup and Gasket                       |
| H8A30   | Bottom Front Panel                                      | H20A49   | Screw for Side Panel                                   |
| H8A31   | Latch Side Panel  | H20A50   | Pad between Hinge and Cabinet                          |
| H8A55   | Hinge Side Panel  | H20A53   | Washer between Hinge and Cabinet (0.134" thick)        |
| H9A7    | Door Jamb Corner  | H20A54   | Washer between Hinge and Cabinet (0.010" thick)        |
| H9A8    | Metal Trim  | H20A55   | Washer between Hinge and Cabinet (0.020" thick)        |
| H9A10   | Door Corner   | H20A56   | Shim between Hinge and Door                            |
| H10A7   | Door Jamb Strip (Vertical, Latch Side)                  | H20A57   | Door Spring  |
| H10A54  | Door Strip with Escutcheon Plate (Vertical, Latch Side) | H20A65   | Pad between Hinge Side Panel and Outer Case            |
| H10A55  | Door Strip (Vertical, Hinge Side)                       | H23A19   | Foot Pedal Door Opener                                 |
| H10A56  | Door Strip (Horizontal)                                 | H23A20   | Foot Pedal with Hinge, Bolt, Nut and Washer            |
| H10A57  | Door Jamb Strip (Vertical, Hinge Side)                  | H23A21   | Ball Joint Connector                                   |
| H11A1   | Tapping Strip for Inner Liner (Vertical)                | H23A22   | Lock Nut for H23A21 Connector                          |
| H11A2   | Tapping Strip for Inner Liner (Horizontal)              | H23A23   | Connecting Rod (Lower, for Long Leg)                   |
| H11A3   | Tapping Strip for Door (Inner, Vertical)                | H23A24   | Sealing Cup with Rod                                   |
| H11A4   | Tapping Strip for Door (Inner, Horizontal)              | H23A25   | Connecting Rod (Upper)                                 |
| H11A47  | Hinge Pad   | H23A26   | Strike Case with Plunger (Right-Hand Cabinet)          |
| H11A48  | Latch Pad   | H23A27   | Strike Case with Plunger (Left-Hand Cabinet)           |
| H12A9   | Cap Screw for Leg                                       | H23A30   | Connecting Rod (Lower, for Short Leg)                  |
| H12X2   | Screw for Door Strip, Door Jamb Strip or Strike         | H30A1    | Frame for Vegetable Drawer Cover                       |
| H13A36  | Sponge Rubber Gasket for Side Panel                     | H30A2    | Channel for Vegetable Drawer and Frame                 |
| H13A37  | Sponge Rubber Gasket for Top or Bottom Front Panel      | H30A3    | Cover for Vegetable Drawer                             |
| H13A59  | Gasket for Sealing Cup                                  | H30A4    | Vegetable Drawer with Front Panel and Handle           |
| H13A60  | Gasket for 49X542 Receptacle                            | H30A5    | Vegetable Drawer only                                  |
| H13A82  | Rubber Door Gasket                                      | H30A6    | Front Panel for Vegetable Drawer                       |
| H13A83  | Gasket between Hinge Tapping Strip and Outer Door Panel | H30A7    | Handle for Vegetable Drawer                            |
| H14A12  | Strike  | H30A8    | Block for H30A7 Handle                                 |
| H15A4   | Latch Bolt with Rivet                                   | H30A9    | Spacer for Vegetable Drawer                            |
| H15A17  | Latch   | H30A10   | Gasket between H30A8 Block and Front Panel             |
| H15A18  | Escutcheon Plate for Latch                              | H30A17   | Vegetable Drawer Assembly                              |
| H15A55  | Latch Handle Spring                                     | 89943    | Nut for Foot Pedal Bolt                                |
| H15A56  | Latch Handle Pin  | 144066   | Screw for Latch  |
| H16A15  | Hinge   | 179789   | Fiber Washer for 66X744 Screw                          |
| H16A16  | Cover for Hinge   | 11X11    | Leg without Bracket (5 $\frac{3}{4}$ "")               |
| H17A7   | Sliding Shelf   | 11X509   | Inner Door Panel                                       |
| H17A8   | Frame for Sliding Shelf                                 | 11X515   | Door Jamb Strip (Horizontal)                           |
| H17A17  | Top Shelf   | 11X517   | Sponge Rubber Gasket for Inner Liner                   |
| H18A18  | Washer for H12A9 Cap Screw                              | 49X542   | Flush Cup Receptacle with Leads                        |
| H18A22  | Washer for Short Leg                                    | 49X549   | Light Receptacle                                       |
| H18A38  | Washer for H20A49 Screw                                 | 49X789   | Lockwasher for 89943 Nut                               |
| H18A43  | Fiber Washer for Leg                                    | 61X327   | Screw fastening Vegetable Drawer Cover to Frame        |
| H18A54  | Momentary Contact Switch with Leads                     | 66X742   | Rivet for Vegetable Drawer Channel and Frame           |
| H18A92  | Rivet for Tapping Strip                                 | 66X743   | Screw fastening Vegetable Drawer Front Panel to Drawer |
| H18A94  | Escutcheon Plate for Door Strip (Latch Side)            | 66X744   | or Handle Block to Front Panel                         |
| H18A102 | Tapping Strip for Door (Outer, Vertical)                | NP59179B | Clip for Nameplate                                     |

† Refer to Accessories Section for parts included.

Always Give Catalog Number

## B-8-37A—Cabinet Parts



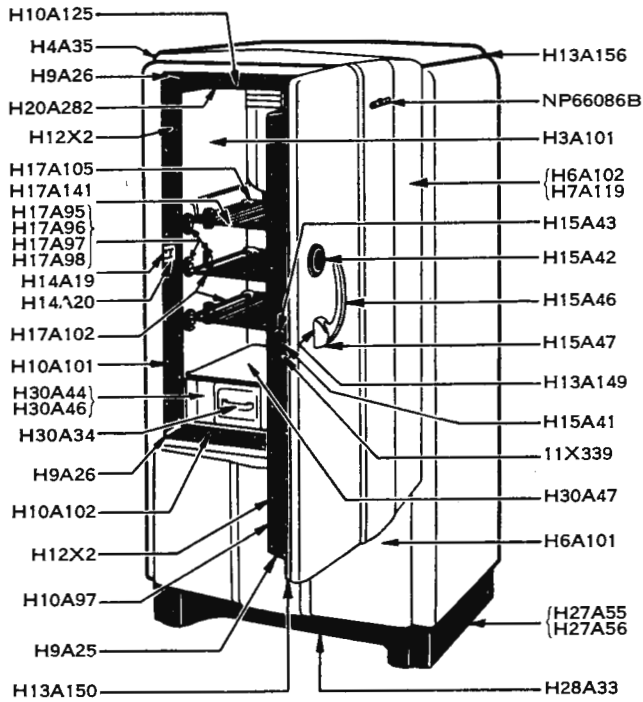
- A1R80† Accessories
- H3A78 Inner Liner with Shelf Supports
- H4A35 Cabinet Cover
- H5A150 Insulation between Inner Liner Cover and Top Cover
- H5X20 Cabinet Insulation (Kimsul, 18' roll)
- H6A101 Refrigerating Machine Compartment Door
- H6A102 Door Complete (Right-Hand Cabinet)
- H6A103 Door Complete (Left-Hand Cabinet)
- H7A107 Inner Door Panel
- H7A119 Outer Door Panel (Right-Hand Cabinet)
- H7A120 Outer Door Panel (Left-Hand Cabinet)
- H9A25 Door Corner
- H9A26 Door Jamb Corner
- H10A96 Door Strip (Vertical, Hinge Side)
- H10A97 Door Strip (Vertical, Latch Side, with Escutcheon for Latch Bolt)
- H10A98 Door Strip (Horizontal)
- H10A99 Door Jamb Strip (Vertical, Hinge Side, Right-Hand Cabinet)
- H10A100 Door Jamb Strip (Vertical, Hinge Side, Left-Hand Cabinet)
- H10A101 Door Jamb Strip (Vertical, Latch Side)
- H10A102 Door Jamb Strip (Horizontal)
- H11A20 Tapping Strip for Outer Case and Hinge
- H11A47 Tapping Strip for Door and Hinge
- H11A49 Tapping Strip for Screw Fastening Inner Liner Cover to Inner Liner
- H11A59 Tapping Strip for Outer Case and Condenser
- H11A90 Tapping Strip for Outer Case (Bottom)
- H11A91 Tapping Strip for Outer Case (Vertical)
- H11A92 Tapping Strip for Inner Liner (Horizontal)
- H11A93 Tapping Strip for Inner Liner (Vertical)
- H11A94 Tapping Strip for Shelf Supports, without Screw
- H11A95 Tapping Strip for Shelf Supports, with Screw for H17A90 Shelf Support
- H11A96 Tapping Strip for Inner Door Panel (Vertical)
- H11A97 Tapping Strip for Inner Door Panel (Horizontal)
- H11A98 Tapping Strip for Outer Door Panel (Vertical, Latch Side)
- H11A99 Tapping Strip for Outer Door Panel (Vertical, Hinge Side)
- H11A100 Tapping Strip for Outer Door Panel (Horizontal)
- H11A106 Tapping Strip for Outer Case (Top)
- H12A2 Screw Fastening Straight or Headed Shelf Support to Inner Liner
- H12X2 Screw for Door Strip, Door Jamb Strip or Inner Liner Cover
- H13A142 Rubber Bushing for Light Receptacle
- H13A148 Gasket between Latch Case and Outer Door Panel
- H13A149 Seal for Latch Handle

† Refer to Accessories Section for parts included.

- H13A150 Rubber Door Gasket
- H13A152 Gasket for H20A161 Clip
- H13A156 Gasket for Cabinet Cover
- H14A19 Strike
- H14A20 Strike Case
- H15A41 Escutcheon for Door Strip and Latch Bolt
- H15A42 Scuff Plate for Latch Handle
- H15A43 Latch Case with Bolt, Spring, Gasket and Nut
- H15A44 Spring for Latch Case and Bolt
- H15A45 Nut Fastening Latch Case and Latch Handle to Outer Door Panel
- H15A46 Latch Handle without Escutcheon Plate
- H15A47 Escutcheon Plate for Latch Handle
- H16A35 Hinge with End Covers
- H16A36 Cover for Hinge
- H17A89 Shelf Support (Straight), or Nut for 46X784 Screw
- H17A90 Shelf Support (Headed)
- H17A91 Shelf Support (Single Slot,  $\frac{1}{8}$ " thick)
- H17A92 Shelf Support (Single Slot,  $\frac{3}{8}$ " thick)
- H17A93 Shelf Support (Single Slot,  $\frac{1}{2}$ " thick)
- H17A94 Shelf Support (Single Slot,  $\frac{3}{4}$ " thick)
- H17A95 Shelf Support (Double Slot,  $\frac{1}{8}$ " thick)
- H17A96 Shelf Support (Double Slot,  $\frac{3}{8}$ " thick)
- H17A97 Shelf Support (Double Slot,  $\frac{1}{2}$ " thick)
- H17A98 Shelf Support (Double Slot,  $\frac{3}{4}$ " thick)
- H17A102 Shelf (First, Second or Third from Bottom)
- H17A103 Shelf (Top, large)
- H17A104 Shelf (Top, small)
- H17A105 Stop for Shelf
- H17A110 Fiber Washer for Single Slot Shelf Support
- H17A111 Fiber Washer for Double Slot Shelf Support
- H18A3 Washer for H12A2 Screw
- H18A18 Washer for H20A22, 80X178 or 279364 Screws ( $\frac{5}{8}$ " O.D.)
- H18A22 Washer for 106775 or 261646 Screws ( $\frac{1}{2}$ " O.D.)
- H18A54 Momentary Contact Switch (Short Leads)
- H18A92 Rivet Fastening H11A20 to Outer Case or H11A47 to Outer Door Panel
- H19A5 Lamp Guard
- H19A6 Retaining Spring for Momentary Contact Switch
- H19A15 Light Receptacle with Porcelain Bushing (Short Leads)
- H19A18 Lockwasher for Momentary Contact Switch
- H19A21 Nut Fastening Momentary Contact Switch to Door Jamb Strip
- H20A4 Rivet Fastening Tapping Strip to Outer Door Panel, Outer Case, or Inner Liner
- H20A6 Screw for Nameplate Clip
- H20A22 Cap Screw Fastening Condenser to Back Cross Piece
- H20A47 Screw for Hinge
- H20A60 Screw for H20A162 Clip
- H20A74 Fiber Washer for Screw Fastening Inner Liner Cover to Inner Liner
- H20A75 Rubber Washer for Screw Fastening Inner Liner Cover to Inner Liner
- H20A86 Screw for H20A161 Clip
- H20A110 Rubber Plug for Inner Liner Cover
- H20A117 Lockwasher for Latch Handle Nut
- H20A118 Rivet Fastening H11A59 to Back of Outer Case
- H20A155 Ice Tray Lifter Hook
- H20A159 Screw Fastening Slotted Shelf Support to Tapping Strip
- H20A161 Clip for Top Cover (Front)
- H20A162 Clip for Top Cover (Back)
- H20A165 Spring Catch for Refrigerating Machine Compartment Door (Left-Hand Side)
- H20A166 Spring Catch for Refrigerating Machine Compartment Door (Right-Hand Side)
- H20A181 Catch for Refrigerating Machine Compartment Door
- H20A182 Rubber Spacer for Refrigerating Machine Compartment Door
- H20A230 Washer under Scuff Plate or Nameplate
- H22A24 Insulation for Refrigerating Machine Compartment Side
- H22A26 Insulation for Refrigerating Machine Compartment Door Base
- H27A26 Skirt for Base
- H28A23 Skirt for Base
- 11X339 Screw Fastening Latch Case to Door Strip or Screw for Strike
- 12X732 Lockwasher for 177811 Nut
- 30X562 Lockwasher for 46X784 Screw
- 46X784 Screw Fastening Skirt to Base
- 49X972 Porcelain Bushing for Light Receptacle
- 58X310 Lockwasher for 11X339 Strike Screw
- 58X324 Lockwasher for H20A159 Screw
- 58X325 Lockwasher for 58X326 Nut
- 58X326 Nut Fastening Scuff Plate to Outer Door Panel
- 58X337 Screw for H20A181 Catch
- 69X893 Screw Fastening Unit Condenser to Back of Outer Case
- 80X132 Washer for H20A60 Screw
- 80X178 Cap Screw Fastening Front Cross Piece to Side of Base
- 165736 Washer for 69X893 Screw or Steel Washer under Scuff Plate
- 177811 Nut for H20A22, 106775, 261646 or 279364 Screws
- 261646 Cap Screw Fastening Base to Outer Case or Unit to Base
- 279364 Cap Screw Fastening Back Cross Piece to Side of Base
- GE3014 Connector for Leads
- NP66086B Nameplate Clip

Always Give Catalog Number

## B-8-38A, B-8-38B—Cabinet Parts



- A1R110† Accessories
- A21R57 Utility Basket
- A21R58 Wire Basket less Front Panel and Handle
- A21R59 Partition for Utility Basket
- A21R60 Front Panel for Utility Basket
- H3A101 Inner Liner with Shelf Supports
- H4A35 Cabinet Cover
- H5A190 Cabinet Insulation (Set)
- H5A191 Insulation between Inner Liner Cover and Cabinet Cover
- H6A101 Refrigerating Machine Compartment Door
- H6A102 Door Complete (Right-Hand Cabinet)
- H6A103 Door Complete (Left-Hand Cabinet)
- H7A107 Inner Door Panel
- H7A119 Outer Door Panel (Right-Hand Cabinet)
- H7A120 Outer Door Panel (Left-Hand Cabinet)
- H9A25 Door Corner
- H9A26 Door Jamb Corner
- H10A96 Door Strip (Vertical, Hinge Side)
- H10A97 Door Strip (Vertical, Latch Side, with Escutcheon for Latch Bolt)
- H10A98 Door Strip (Horizontal)
- H10A101 Door Jamb Strip (Vertical, Latch Side)
- H10A102 Door Jamb Strip (Bottom)
- H10A124 Door Jamb Strip (Vertical, Hinge Side)
- H10A125 Door Jamb Strip (Top)
- H11A20 Tapping Strip for Outer Case and Hinge
- H11A47 Tapping Strip for Outer Door Panel and Hinge
- H11A49 Tapping Strip for Screw Fastening Inner Liner Cover to Inner Liner or Spring to Refrigerating Machine Compartment Door
- H11A59 Tapping Strip for Outer Case and Condenser or for Back Clip for Cabinet Cover
- H11A90 Tapping Strip for Outer Case (Bottom)
- H11A91 Tapping Strip for Outer Case (Vertical)
- H11A92 Tapping Strip for Inner Liner (Horizontal)
- H11A93 Tapping Strip for Inner Liner (Vertical)
- H11A96 Tapping Strip for Inner Door Panel (Vertical)
- H11A97 Tapping Strip for Inner Door Panel (Horizontal)
- H11A98 Tapping Strip for Outer Door Panel (Vertical, Latch Side)
- H11A99 Tapping Strip for Outer Door Panel (Vertical, Hinge Side)
- H11A100 Tapping Strip for Outer Door Panel (Horizontal)
- H11A106 Tapping Strip for Outer Case (Top)
- H11A135 Tapping Strip for Inner Liner and Slotted Shelf Support
- H12A2 Screw Fastening H17A89 or H17A90 Shelf Supports to Inner Liner
- H12X2 Screw for Door Strip, Door Jamb Strip, Light Switch or Inner Liner Cover
- H13A148 Gasket between Latch Case and Outer Door Panel
- H13A149 Seal for Latch Handle
- H13A150 Rubber Door Gasket
- H13A156 Gasket for Cabinet Cover
- H13A181 Fiber Gasket between Light Switch and Door Jamb Strip
- H14A19 Strike
- H14A20 Strike Case
- H15A41 Escutcheon for Door Strip and Latch Bolt
- H15A42 Scuff Plate and Clip for Latch Handle

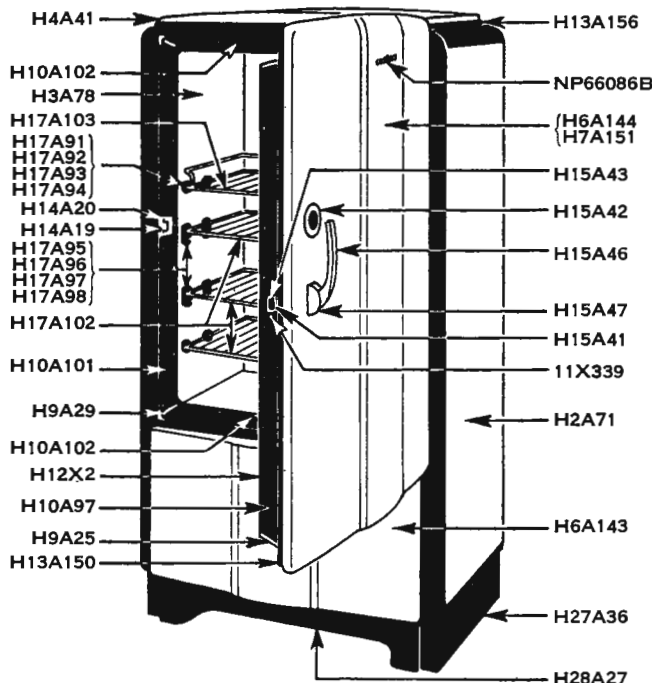
- H15A43 Latch Case with Bolt, Spring, Gasket and Nut
- H15A44 Spring for Latch Case and Bolt
- H15A45 Nut Fastening Latch Case and Latch Handle to Outer Door Panel
- H15A46 Latch Handle without Escutcheon
- H15A47 Escutcheon for Latch Handle
- H16A35 Hinge with End Covers
- H16A36 Center Cover for Hinge
- H17A89 Shelf Support (Straight), or Nut for 46X784 Skirt Screw (1/2" long)
- H17A90 Shelf Support (Headed)
- H17A95 Shelf Support (Double Slot, 1/4" thick)
- H17A96 Shelf Support (Double Slot, 3/8" thick)
- H17A97 Shelf Support (Double Slot, 1/2" thick)
- H17A98 Shelf Support (Double Slot, 5/8" thick)
- H17A102 Shelf with Stop (First or Second from Bottom)
- H17A105 Stop for Shelf
- H17A111 Fiber Washer for Double Slot Shelf Support
- H17A122 Shelf Support (Straight, 3/4" long)
- H17A141 Shelf with Stop (Upper)
- H17A142 Shelf (Top, Small)
- H17A143 Removable Half Shelf
- H18A3 Washer for H17A90 Shelf Support (1/2" O.D.)
- H18A18 Washer for 106775 Screw (3/8" O.D.)
- H18A22 Washer for 106775 or 261646 Screws (7/8" O.D.)
- H18A92 Rivet for H11A20 or H11A47 Tapping Strips
- H19A26 Lamp Guard
- H19A27 Bushing for Light Receptacle
- H20A4 Rivet for H11A90, H11A91, H11A92, H11A93, H11A98, H11A99, H11A100, or H11A106 Tapping Strips
- H20A6 Screw for Nameplate Clip
- H20A47 Screw for Hinge
- H20A49 Screw for H20A181 Catch
- H20A60 Screw for H20A170 Clip, Tube Seal, H20A239 Catch, or H20A282 Bracket
- H20A62 Screw Fastening H20A243 Spacer to Bottom of Condenser
- H20A74 Fiber Washer for H12X2 Screw Fastening Inner Liner Cover to Inner Liner (5/8" O.D.)
- H20A86 Screw for H20A161 Clip
- H20A110 Rubber Plug for Inner Liner Cover
- H20A117 Lockwasher for Latch Handle Nut
- H20A118 Rivet for H11A59 Tapping Strip
- H20A159 Screw Fastening H17A95, H17A96, H17A97 or H17A98 Shelf Supports to Inner Liner
- H20A161 Clip for Cabinet Cover (Front)
- H20A170 Clip for Cabinet Cover (Back)
- H20A174 Screw Fastening Spring to Refrigerating Machine Compartment Door
- H20A181 Catch for Refrigerating Machine Compartment Door
- H20A239 Catch for Refrigerating Machine Compartment Door Spring
- H20A240 Washer for H20A181 Catch (3/8" O.D.)
- H20A241 Spring for Refrigerating Machine Compartment Door
- H20A242 Rubber Button Spacer for Refrigerating Machine Compartment Door
- H20A243 Rubber Spacer for Bottom of Condenser
- H20A248 Rubber Bumper for Shelf
- H20A249 Rubber Button for H20A257 Support
- H20A250 Washer between Front Panel and Pan for Vegetable Drawer (1" O.D.)
- H20A251 Rubber Washer between Scuff Plate Clip and Door (1/2" O.D.)
- H20A253 Rubber Spacer for H17A90 Shelf Support
- H20A256† Bracket for Separator Release (Early production Cabinets)
- H20A257 Support for Shelf and Drawer
- H20A282‡ Bracket for Separator Release (Late production Cabinets)
- H22A26 Insulation for Refrigerating Machine Compartment Door
- H22A33 Insulation for Refrigerating Machine Compartment Side
- H27A55 Base (B-8-38A Cabinet)
- H27A56 Base (B-8-38B Cabinet)
- H28A33 Skirt for Base
- H30A34 Handle for Utility Basket and Drawer
- H30A44 Vegetable Drawer
- H30A45 Pan for Vegetable Drawer
- H30A46 Front Panel for Vegetable Drawer
- H30A47 Cover for Vegetable Drawer
- 106775 Screw Fastening Condenser to Base (B-8-38A Cabinet)
- 160980 Washer for 20X536 Screw (3/4" O.D.)
- 165736 Washer for 69X893, H20A174 Screws, or for Handle of Utility Basket (5/8" O.D.)
- 177811 Nut for 106775 or 261646 Screws
- 179789 Fiber Washer for 58X350 or H12X2 Screws (1/4" O.D.)
- 261646 Screw Fastening Unit to Base for B-8-38A or B Cabinet Back
- 11X339 Angle Bracket to Side of Base, or Condenser to Base for B-8-38B Cabinet
- 20X536 Screw for H14A19 Strike, H14A20 Strike Case, H15A43 Latch Case or Fastening Front Panel to Utility Basket
- 46X784 Screw Fastening Cabinet to Base
- 58X310 Screw Fastening Skirt to Base
- 58X324 Lockwasher for 11X339 Strike Screw
- 58X325 Lockwasher for H20A159 Screw
- 58X326 Lockwasher for 58X326 Nut
- 58X350 Nut Fastening Scuff Plate Clip to Outer Door Panel
- 69X893 Screw Fastening Front Panel of Vegetable Drawer or Handle of Utility Basket
- 78X81 Screw Fastening Unit Condenser to Back of Outer Case or H20A170 Clip to Cabinet
- 80X132 Light Receptacle
- GE3014 Washer for H20A62 Screw (1/2" O.D.)
- 1GA21H3 Connector for Leads
- NP66086B Momentary Contact Switch with 8" Leads
- NP66086B Nameplate Clip

† Refer to Accessories Section for parts included.

‡ H20A282 is fastened to the liner with a screw while H20A256 is clamped between liner and liner cover. These parts are not interchangeable.

Always Give Catalog Number

## PB-8-37A—Cabinet Parts



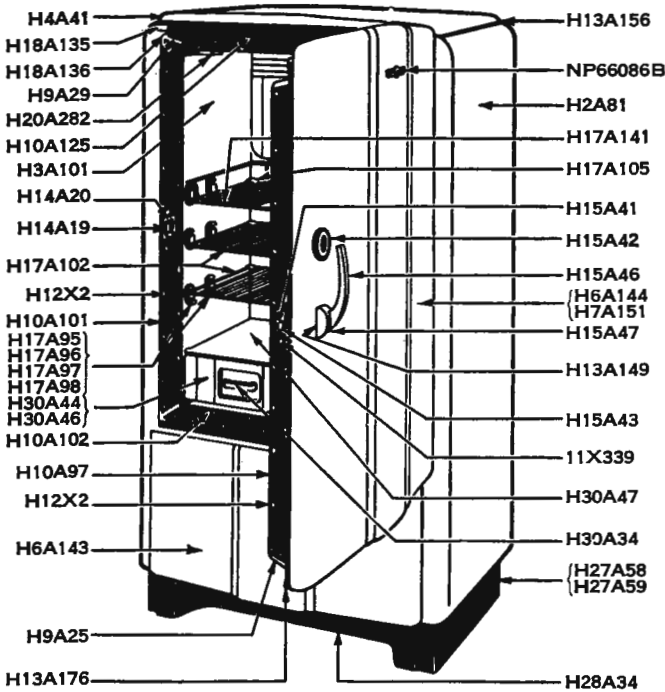
- A1R80† Accessories
- H2A71 Outer Case (Right-Hand Cabinet)
- H2A72 Outer Case (Left-Hand Cabinet)
- H3A78 Inner Liner with Shelf Supports
- H4A41 Cabinet Cover
- H5A150 Insulation between Inner Liner Cover and Top Cover
- H5A167 Cabinet Insulation (Set)
- H6A143 Refrigerating Machine Compartment Door
- H6A144 Door Complete (Right-Hand Cabinet)
- H6A145 Door Complete (Left-Hand Cabinet)
- H7A107 Inner Door Panel
- H7A151 Outer Door Panel (Right-Hand Cabinet)
- H7A152 Outer Door Panel (Left-Hand Cabinet)
- H9A25 Door Corner
- H9A29 Door Jamb Corner
- H10A96 Door Strip (Vertical, Hinge Side)
- H10A97 Door Strip (Vertical, Latch Side, with Escutcheon for Latch Bolt)
- H10A98 Door Strip (Horizontal)
- H10A99 Door Jamb Strip (Vertical, Hinge Side, Right-Hand Cabinet)
- H10A100 Door Jamb Strip (Vertical, Hinge Side, Left-Hand Cabinet)
- H10A101 Door Jamb Strip (Vertical, Latch Side)
- H10A102 Door Jamb Strip (Horizontal)
- H11A20 Tapping Strip for Outer Case and Hinge
- H11A47 Tapping Strip for Door and Hinge
- H11A49 Tapping Strip for Screw Fastening Inner Liner Cover to Inner Liner
- H11A59 Tapping Strip for Outer Case and Condenser
- H11A90 Tapping Strip for Outer Case (Bottom)
- H11A91 Tapping Strip for Outer Case (Vertical)
- H11A92 Tapping Strip for Inner Liner (Horizontal)
- H11A93 Tapping Strip for Inner Liner (Vertical)
- H11A94 Tapping Strip for Shelf Support without Screw
- H11A95 Tapping Strip for Shelf Support with Screw for H17A90 Shelf Support
- H11A96 Tapping Strip for Inner Door Panel (Vertical)
- H11A97 Tapping Strip for Inner Door Panel (Horizontal)
- H11A98 Tapping Strip for Outer Door Panel (Vertical, Latch Side)
- H11A99 Tapping Strip for Outer Door Panel (Vertical, Hinge Side)
- H11A100 Tapping Strip for Outer Door Panel (Horizontal)
- H11A106 Tapping Strip for Outer Case (Top)
- H12A2 Screw Fastening Straight or Headed Shelf Support to Inner Liner
- H12X2 Screw for Door Strip, Door Jamb Strip or Inner Liner Cover
- H13A83 Gasket between H11A47 and Outer Door Panel
- H13A142 Rubber Bushing for Light Receptacle
- H13A148 Gasket between Latch Case and Outer Door Panel
- H13A149 Seal for Latch Handle
- H13A152 Gasket for H20A161 Clip
- H13A156 Gasket for Cabinet Cover
- H13A164 Gasket between H11A59 and Back of Outer Case
- H13A165 Gasket between H20A162 and Outer Case
- H13A166 Gasket for Tube Seal (1 1/4" long)
- H13A167 Gasket for Tube Seal (2 3/4" long)

† Refer to Accessories Section for parts included.

- H13A176 Rubber Door Gasket
- H13A179 Rubber Gasket for H18A134 or H18A135 Trim
- H14A19 Strike
- H14A20 Strike Case
- H15A41 Escutcheon for Door Strip and Latch Bolt
- H15A42 Scuff Plate for Latch Handle
- H15A43 Latch Case with Bolt, Spring, Gasket and Nut
- H15A44 Spring for Latch Case and Bolt
- H15A45 Nut Fastening Latch Case and Latch Handle to Outer Door Panel
- H15A46 Latch Handle without Escutcheon Plate
- H15A47 Escutcheon Plate for Latch Handle
- H16A35 Hinge with End Covers
- H16A36 Cover for Hinge
- H17A89 Shelf Support (Straight), or Nut for 46X784 Screw
- H17A90 Shelf Support (Headed)
- H17A91 Shelf Support (Single Slot, 1/2" thick)
- H17A92 Shelf Support (Single Slot, 3/4" thick)
- H17A93 Shelf Support (Single Slot, 1/2" thick)
- H17A94 Shelf Support (Single Slot, 3/4" thick)
- H17A95 Shelf Support (Double Slot, 1/2" thick)
- H17A96 Shelf Support (Double Slot, 3/4" thick)
- H17A97 Shelf Support (Double Slot, 1/2" thick)
- H17A98 Shelf Support (Double Slot, 3/4" thick)
- H17A102 Shelf (First, Second or Third from Bottom)
- H17A103 Shelf (Top, large)
- H17A104 Shelf (Top, small)
- H17A105 Stop for Shelf
- H17A110 Fiber Washer for Single Slot Shelf Support
- H17A111 Fiber Washer for Double Slot Shelf Support
- H18A3 Washer for H12A2 Screw
- H18A18 Washer for H20A22, 80X178 or 279364 (5/8" O.D.) Screws
- H18A22 Washer for 106775 or 261646 Screws (3/8" O.D.)
- H18A43 Fiber Washer for H20A22, 279364 or 261646 Screws
- H18A54 Momentary Contact Switch (Short Leads)
- H18A92 Rivet Fastening H11A20 to Outer Case or H11A47 to Outer Door Panel
- H18A133 Door Jamb Corner Trim
- H18A134 Trim for Upper Right-Hand Corner of Outer Case (Front)
- H18A135 Trim for Upper Left-Hand Corner of Outer Case (Front)
- H19A5 Lamp Guard
- H19A6 Retaining Spring for Momentary Contact Switch
- H19A15 Light Receptacle with Porcelain Bushing (Short Leads)
- H19A18 Lockwasher for Momentary Contact Switch
- H19A21 Nut Fastening Momentary Contact Switch to Door Jamb Strip
- H20A4 Rivet Fastening Tapping Strip to Outer Door Panel, Outer Case or Inner Liner
- H20A6 Screw for Nameplate Clip
- H20A22 Cap Screw Fastening Condenser to Back Cross Piece
- H20A47 Screw for Hinge
- H20A56 Gasket between Hinge and Outer Case or between Hinge and Outer Door Panel
- H20A60 Screw for H20A162 Clip
- H20A74 Fiber Washer for Screw Fastening Inner Liner Cover to Inner Liner
- H20A75 Rubber Washer for Screw Fastening Inner Liner Cover to Inner Liner
- H20A86 Screw for H20A161 Clip
- H20A110 Rubber Plug for Inner Liner Cover
- H20A117 Lockwasher for Latch Handle Nut
- H20A118 Rivet Fastening H11A59 to Back of Outer Case
- H20A155 Ice Tray Lifter Hook
- H20A159 Screw Fastening Slotted Shelf Support to Tapping Strip
- H20A161 Clip for Top Cover (Front)
- H20A162 Clip for Top Cover (Back)
- H20A165 Spring Catch for Refrigerating Machine Compartment Door (Left-Hand Side)
- H20A166 Spring Catch for Refrigerating Machine Compartment Door (Right-Hand Side)
- H20A168 Washer for H18A134 or H18A135 Trim
- H20A181 Catch for Refrigerating Machine Compartment Door
- H20A182 Rubber Spacer for Refrigerating Machine Compartment Door
- H20A230 Washer under Scuff Plate or Nameplate
- H20A235 Fiber Shim between Hinge and Cabinet
- H22A24 Insulation for Refrigerating Machine Compartment Side
- H22A26 Insulation for Refrigerating Machine Compartment Door
- H27A36 Base
- H28A27 Skirt for Base
- 165736 Steel Washer under Scuff Plate, or for 69X893 Screw
- 177811 Nut for H20A22, 80X178, 279364, 106775 or 261646 Screws
- 261646 Cap Screw Fastening Base to Outer Case or Unit to Base
- 279364 Cap Screw Fastening Back Cross Piece to Side of Base
- 11X339 Screw Fastening Latch Case to Door Strip, or Screw for Strike
- 12X732 Lockwasher for 177811 Nut
- 30X562 Lockwasher for 46X784 Screw
- 46X784 Screw Fastening Skirt to Base
- 49X972 Porcelain Bushing for Light Receptacle
- 58X310 Lockwasher for 11X339 Strike Screw
- 58X324 Lockwasher for H20A159 Screw
- 58X325 Lockwasher for 58X326 Nut
- 58X326 Nut Fastening Scuff Plate to Outer Door Panel
- 58X337 Screw for H20A181 Catch
- 69X893 Screw Fastening Unit Condenser to Back of Outer Case
- 80X132 Washer for H20A60 Screw
- 80X178 Cap Screw Fastening Front Cross Piece to Side of Base
- GE3014 Connector for Leads
- NP66086B Nameplate Clip

Always Give Catalog Number

## PB-8-38A, PB-8-38B—Cabinet Parts



- H4A41
  - H18A135
  - H18A136
  - H9A29
  - H20A282
  - H10A125
  - H3A101
  - H14A20
  - H14A19
  - H17A102
  - H12X2
  - H10A101
  - H17A95
  - H17A96
  - H17A97
  - H17A98
  - H30A44
  - H30A46
  - H10A102
  - H10A97
  - H12X2
  - H6A143
  - H9A25
  - H13A176
  - H13A156
  - NP66086B
  - H2A81
  - H17A141
  - H17A105
  - H15A41
  - H15A42
  - H15A46
  - (H6A144
  - (H7A151
  - H15A47
  - H13A149
  - H15A43
  - 11X339
  - H30A47
  - H30A34
  - (H27A58
  - (H27A59
  - H28A34
- A1R110† Accessories**
- A21R57 Utility Basket
  - A21R58 Wire Basket less Front Panel and Handle
  - A21R69 Partition for Utility Basket
  - A21R60 Front Panel for Utility Basket
  - H2A81 Outer Case (Right-Hand Cabinet)
  - H2A82 Outer Case (Left-Hand Cabinet)
  - H3A101 Inner Liner with Shelf Supports
  - H4A41 Cabinet Cover
  - H5A191 Insulation between Inner Liner Cover and Cabinet Cover
  - H5A192 Cabinet Insulation (Set)
  - H6A143 Refrigerating Machine Compartment Door
  - H6A144 Door Complete (Right-Hand Cabinet)
  - H6A145 Door Complete (Left-Hand Cabinet)
  - H7A107 Inner Door Panel
  - H7A151 Outer Door Panel (Right-Hand Cabinet)
  - H7A152 Outer Door Panel (Left-Hand Cabinet)
  - H9A25 Door Corner
  - H9A29 Door Jamb Corner
  - H10A96 Door Strip (Vertical, Hinge Side)
  - H10A97 Door Strip (Vertical, Latch Side, with Escutcheon for Latch Bolt)
  - H10A98 Door Strip (Horizontal)
  - H10A101 Door Jamb Strip (Vertical, Latch Side)
  - H10A102 Door Jamb Strip (Bottom)
  - H10A124 Door Jamb Strip (Vertical, Hinge Side)
  - H10A125 Door Jamb Strip (Top)
  - H11A20 Tapping Strip for Outer Case and Hinge
  - H11A47 Tapping Strip for Outer Door Panel and Hinge
  - H11A49 Tapping Strip for Screw Fastening Inner Liner Cover to Inner Liner or Spring to Refrigerating Machine Compartment Door
  - H11A59 Tapping Strip for Outer Case and Condenser or for Back Clip for Cabinet Cover
  - H11A90 Tapping Strip for Outer Case (Bottom)
  - H11A91 Tapping Strip for Outer Case (Vertical)
  - H11A92 Tapping Strip for Inner Liner (Horizontal)
  - H11A93 Tapping Strip for Inner Liner (Vertical)
  - H11A96 Tapping Strip for Inner Door Panel (Vertical)
  - H11A97 Tapping Strip for Inner Door Panel (Horizontal)
  - H11A98 Tapping Strip for Outer Door Panel (Vertical, Latch Side)
  - H11A99 Tapping Strip for Outer Door Panel (Vertical, Hinge Side)
  - H11A100 Tapping Strip for Outer Door Panel (Horizontal)
  - H11A106 Tapping Strip for Outer Case (Top)
  - H11A135 Tapping Strip for Inner Liner and Slotted Shelf Support
  - H12A2 Screw Fastening H17A89 or H17A90 Shelf Supports to Inner Liner
  - H12X2 Screw for Door Strip, Door Jamb Strip, Light Switch, Inner Liner Cover or Fastening Front Panel to Utility Basket
  - H13A83 Gasket between H11A47 Tapping Strip and Outer Door Panel
  - H13A148 Gasket between Latch Case and Outer Door Panel
  - H13A149 Seal for Latch Handle
  - H13A156 Gasket for Cabinet Cover
  - H13A164 Gasket between H11A59 Tapping Strip and Back of Outer Case
  - H13A166 Gasket for Tube Seal (1 1/4" long)
  - H13A176 Rubber Door Gasket
  - H13A179 Rubber Gasket for H18A134 or H18A135 Trim
  - H13A181 Fiber Gasket between Light Switch and Door Jamb Strip
  - H13A183 Gasket for H20A170 Clip
  - H14A19 Strike
  - H14A20 Strike Case
  - H15A41 Escutcheon for Door Strip and Latch Bolt
  - H15A42 Scuff Plate and Clip for Latch Handle
  - H15A43 Latch Case with Bolt, Spring, Gasket and Nut

- H15A44 Spring for Latch Case and Bolt
- H15A45 Nut Fastening Latch Case and Latch Handle to Outer Door Panel
- H15A46 Latch Handle without Escutcheon
- H15A47 Escutcheon for Latch Handle
- H16A35 Hinge with End Covers
- H16A36 Center Cover for Hinge
- H17A89 Shelf Support (Straight), or Nut for 46X784 Skirt Screw (1/2" long)
- H17A90 Shelf Support (Headed)
- H17A95 Shelf Support (Double Slot, 1/4" thick)
- H17A96 Shelf Support (Double Slot, 3/8" thick)
- H17A97 Shelf Support (Double Slot, 1/2" thick)
- H17A98 Shelf Support (Double Slot, 5/8" thick)
- H17A102 Shelf with Stop (First or Second from Bottom)
- H17A105 Stop for Shelf
- H17A111 Fiber Washer for Double Slot Shelf Support
- H17A122 Shelf Support (Straight, 3/4" long)
- H17A141 Shelf with Stop (Upper)
- H17A142 Shelf (Top, Small)
- H17A143 Removable Half Shelf
- H18A3 Washer for H17A90 Shelf Support (1/2" O.D.)
- H18A18 Washer for 106775 Screw (3/8" O.D.)
- H18A22 Washer for 106775 or 261646 Screws (3/4" O.D.)
- H18A92 Rivet for H11A20 or H11A47 Tapping Strips
- H18A134 Trim for Upper Right-Hand Corner of Outer Case (Front)
- H18A135 Trim for Upper Left-Hand Corner of Outer Case (Front)
- H18A136 Door Jamb Corner Trim
- H19A26 Lamp Guard
- H19A27 Bushing for Light Receptacle
- H20A4 Rivet for H11A90, H11A91, H11A92, H11A93, H11A98, H11A99, H11A100 or H11A106 Tapping Strips
- H20A6 Screw for Nameplate Clip
- H20A47 Screw for Hinge
- H20A49 Screw for H20A181 Catch
- H20A56 Gasket between Hinge and Outer Case or between Hinge and Outer Door Panel
- H20A60 Screw for H20A170 Clip, Tube Seal, H20A239 Catch or H20A282 Bracket
- H20A62 Screw Fastening H20A243 Spacer to Bottom of Condenser
- H20A74 Fiber Washer for H12X2 Screw Fastening Inner Liner Cover to Inner Liner (1/2" O.D.)
- H20A86 Screw for H20A161 Clip
- H20A110 Rubber Plug for Inner Liner Cover
- H20A117 Lockwasher for Latch Handle Nut
- H20A118 Rivet for H11A59 Tapping Strip
- H20A159 Screw Fastening H17A95, H17A96, H17A97 or H17A98 Shelf Supports to Inner Liner
- H20A161 Clip for Cabinet Cover (Front)
- H20A168 Washer for H18A134 or H18A135 Trim (1/2" O.D.)
- H20A169 Fiber Washer for 106775 Screw (1/2" O.D.)
- H20A170 Screw for Cabinet Cover (Back)
- H20A174 Screw Fastening Spring to Refrigerating Machine Compartment Door
- H20A181 Catch for Refrigerating Machine Compartment Door
- H20A239 Catch for Refrigerating Machine Compartment Door Spring
- H20A240 Washer for H20A181 Catch (1/2" O.D.)
- H20A241 Spring for Refrigerating Machine Compartment Door
- H20A242 Rubber Button Spacer for Refrigerating Machine Compartment Door
- H20A243 Rubber Spacer for Bottom of Condenser
- H20A248 Rubber Bumper for Shelf
- H20A249 Rubber Button for H20A257 Support
- H20A250 Washer between Front Panel and Pan for Vegetable Drawer (1" O.D.)
- H20A251 Rubber Washer between Scuff Plate Clip and Door (1/2" O.D.)
- H20A253 Rubber Spacer for H17A90 Shelf Support
- H20A254 Rubber Pad between Base and Cabinet
- H20A255 Fiber Washer for 71X571 Screw (3/4" O.D.)
- H20A256† Bracket for Shelf and Drawer
- H20A257 Support for Separator Release (Early production Cabinets)
- H20A282† Bracket for Separator Release (Late production Cabinets)
- H22A26 Insulation for Refrigerating Machine Compartment Door
- H27A58 Base (PB-8-38A Cabinet)
- H27A59 Base (PB-8-38B Cabinet)
- H28A34 Skirt for Base
- H30A34 Handle for Utility Basket and Drawer
- H30A44 Vegetable Drawer
- H30A45 Pan for Vegetable Drawer
- H30A46 Front Panel for Vegetable Drawer
- H30A47 Cover for Vegetable Drawer
- 106775 Screw Fastening Condenser to Base (PB-8-38A Cabinet)
- 160980 Washer for 71X571 Screw (3/4" O.D.)
- 165736 Washer for 69X893, H20A174 Screws or for Handle of Utility Basket (5/8" O.D.)
- 177811 Nut for 106775 or 261646 Screws
- 179789 Fiber Washer for 58X350 or H12X2 Screws (1/2" O.D.)
- 261646 Screw Fastening Unit to Base for the PB-8-38A or B Cabinet, Back Angle Bracket to Side of Base, or Condenser to Base for PB-8-38B Cabinet
- 11X339 Screw for H14A19 Strike, H14A20 Strike Case or H15A43 Latch Case
- 46X784 Screw Fastening Skirt to Base
- 58X310 Lockwasher for 11X339 Strike Screw
- 58X324 Lockwasher for H20A159 Screw
- 58X325 Lockwasher for 58X326 Nut
- 58X326 Nut Fastening Scuff Plate Clip to Outer Door Panel or H18A134 and H18A135 Trim to Outer Case
- 58X350 Screw Fastening Front Panel of Vegetable Drawer or Handle of Utility Basket
- 69X893 Screw Fastening Unit Condenser to Back of Outer Case or H20A170 Clip to Cabinet
- 71X571 Screw Fastening Cabinet to Base
- 78X81 Light Receptacle
- 80X132 Washer for H20A62 Screw (1/2" O.D.)
- GE3014 Connector for Leads
- 1GA21H3 Momentary Contact Switch with 8" Leads
- NP66086B Nameplate Clip

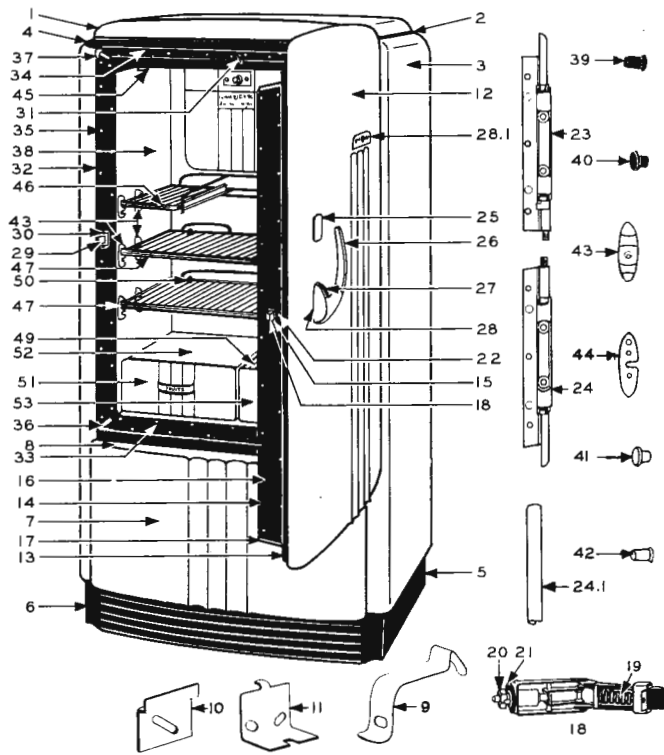
† Refer to Accessories Section for parts included.

‡ H20A282 is fastened to liner with a screw while H20A256 is clamped between liner and liner cover. These parts are not interchangeable.



# B8-39A, PB8-39A - Cabinet Parts

FOR REFRIGERATING MACHINE PARTS REFER TO CF-28C UNIT  
FOR ACCESSORIES REFER TO ACCESSORIES SECTION



Ref. No.	Catalog Number		Name of Part
	B8-39A	PB8-39A	
1	H4A54	H4A55	TOP COVER FOR CABINET
2	H13A156	H13A156	Gasket for top cover
	H20A161	H20A161	Clip for top cover, front
	H20A170	H20A170	Clip for top cover, back
	-	H13A183	Gasket for Cat. H20A170
	H20A85	H20A86	Screw for Cat. H20A161 (10-30)
	H20A60	H20A60	Screw fastening Cat. H20A170 to top cover, or for refrigerant line sealing plate (No. 8)
3	-	H13A166	Gasket for refrigerant line sealing plate
	-	H2A101	OUTER CASE (RIGHT-HAND CABINET)
	-	H2A102	OUTER CASE (LEFT-HAND CABINET)
4	-	H18A134	Trim for upper RH corner of outer case, front
	-	H18A135	Trim for upper LH corner of outer case, front
	-	58X326	Nut fastening Cat. H18A134 or H18A135
	-	H20A168	Washer for Cat. H18A134 or H18A135
	-	H13A179	Rubber gasket for Cat. H18A134 or H18A135
	69X893	69X893	Screw fastening condenser to outer case, or Cat. H20A170 to cabinet (No. 10)
	H20A243	H20A243	Rubber spacer for back of condenser
	H20A62	H20A62	Screw for Cat. H20A243 (No. 8)
	80X132	80X132	Washer for Cat. H20A62
5	H27A96	H27A96	BASE WITH SCREWS FOR CONDENSER
	106775	106775	Cap screw fastening condenser to base
	177811	177811	Nut for Cat. 106775
	H18A18	H18A18	Washer for Cat. 106775 (5/8 in. O.D.)
	H18A22	H18A22	Washer for Cat. 106775 (7/8 in. O.D.)
	-	H20A254	Rubber pad between base and cabinet
	20X529	20X536	Cap screw fastening outer case to base (1/4 in.-20)
	160980	160980	Washer for Cat. 20X529 or 20X536
	-	H20A255	Fiber washer for Cat. 20X529
	261646	261646	Cap screw fastening refrigerating machine to base (5/16 in.-18)
	177811	177811	Nut for Cat. 261646
	H18A22	H18A22	Washer for screw Cat. 261646
6	H27A97	H27A97	Grille for base
	65X229	65X229	Cap screw fastening grille to base (1/4 in.-20)
	59X241	59X241	Wing nut for Cat. 65X229
7	H7A237	H7A241	LOWER DOOR PANEL
8	-	H18A152	Trim with clips for lower door panel
	-	H20A358	Clip for Cat. H18A152
9	H20A241	H20A241	Spring clip for lower door panel
	H20A174	H20A174	Screw for Cat. H20A241 (10-30)
	165736	165736	Washer for Cat. H20A174
	H20A242	H20A242	Rubber button spacer for lower door panel
10	H20A181	H20A181	Support for lower door panel
	H20A49	H20A49	Screw for Cat. H20A181 (No. 8)
	H20A240	H20A240	Washer for Cat. H20A49
	H20A239	H20A239	Catch for spring clip Cat. H20A241
	H20A60	H20A60	Screw for Cat. H20A239 (No. 8)
12	-	-	DOOR FOR CABINET

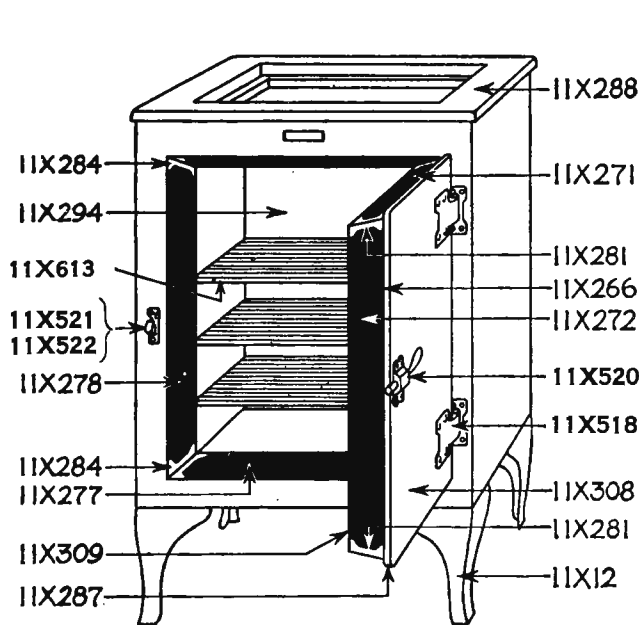
Ref. No.	Catalog Number		Name of Part
	B8-39A	PB8-39A	
12	H7A238	H7A242	Outer door panel (right-hand cabinet)
	H7A239	H7A243	Outer door panel (left-hand cabinet)
13	H13A150	H13A150	Door gasket
	H10A96	H10A96	Door strip, hinge side
	H10A98	H10A98	Door strip, top or bottom
14	H10A144	H10A144	Door strip, latch side, with escutcheon for latch bolt
15	H15A41	H15A41	Escutcheon for latch bolt
16	H12X2	H12X2	Screw for door strip (10-30)
17	H9A25	H9A25	Door corner
	H7A240	H7A240	Inner door panel
18	H15A63	H15A63	Latch with gasket and nut
19	H15A64	H15A64	Spring for latch
20	H15A65	H15A65	Nut for latch and handle
21	H15A66	H15A66	Gasket between latch and outer door panel
22	11X339	11X339	Screw fastening latch to door strip (10-30)
23	H16A55	H16A55	Hinge, without cover, Upper RH or Lower LH
24	H16A56	H16A56	Hinge, without cover, Lower RH or Upper LH
	H16A59	H16A59	Space tube between hinges
24.1	H16A52	H16A52	Cover for hinge
	-	H13A197	Gasket between hinge and outer door panel
	128619	128619	Screw fastening hinge to outer door panel (10-32)
25	H15A67	H15A67	Scuff plate for latch handle
	H20A6	H20A6	Screw for thermometer, nameplate clip or scuff plate (4-48)
	58X276	58X276	Screw fastening latch handle to outer door panel (No. 8)
26	H15A68	H15A68	Latch handle without escutcheon
27	H15A69	H15A69	Escutcheon for latch handle
28	H13A195	H13A195	Gasket between latch handle and outer door panel
28.1	NP74779A	NP74779A	Nameplate
	NP74779B	NP74779B	Clip for nameplate
	167651	167651	Screw fastening hinge to cabinet (12-28)
	-	H13A196	Gasket between hinge and cabinet
29	H14A19	H14A19	Strike for latch bolt
	H14A20	H14A20	Strike case
30	11X339	11X339	Screw for strike (10-30)
	58X310	58X310	Lockwasher for Cat. 11X339
31	1G21H3	1G21H3	Door switch with 8 inch leads
	H13A181	H13A181	Gasket for Cat. 1G21H3 (10-30)
	H12X2	H12X2	Screw for Cat. 1G21H3 (10-30)
32	H10A101	H10A101	Door jamb strip, latch side
33	H10A102	H10A102	Door jamb strip, bottom
34	H10A125	H10A125	Door jamb strip, top
	H10A124	H10A124	Door jamb strip, hinge side
35	H12X2	H12X2	Screw for door jamb strip (10-30)
36	H9A26	H9A26	Door jamb corner
37	-	H18A136	Door jamb corner trim
38	H3A120	H3A120	INNER LINER WITH SHELF SUPPORTS
39	H17A122	H17A122	Shelf support, straight, black (3/4 in. long)
40	H17A90	H17A90	Shelf support, headed (1/2 in. long)
	H20A253	H20A253	Spacer for Cat. H17A90
41	H17A194	H17A194	Shelf support, headed, white (1/2 in. long)
	H18A3	H18A3	Washer for Cat. H17A194
42	H17A195	H17A195	Shelf support, straight, white (3/4 in. long)
	H12A2	H12A2	Screw for Cat. H17A122, H17A90, H17A194 or H17A195 (1/4 in.-20)
43	H17A197	H17A197	Shelf support, double slot
44	H20A389	H20A389	Shim for Cat. H17A197 (.031 in. thick)
	H20A390	H20A390	Shim for Cat. H17A197 (.0625 in. thick)
	H20A159	H20A159	Screw for Cat. H17A197 (10-30)
	58X364	58X364	Lockwasher for Cat. H20A159
	H20A110	H20A110	Rubber plug for inner liner cover
	H12X2	H12X2	Screw fastening inner liner cover to inner liner
	H20A74	H20A74	Washer (fiber) for Cat. H12X2
	H20A75	H20A75	Washer (rubber) for Cat. H12X2
45	H20A282	H20A282	Bracket for ice tray separator release
	H20A60	H20A60	Screw for Cat. H20A282 (No. 8)
	H17A209	H17A209	Shelf, small, side of evaporator
46	H17A210	H17A210	Sliding shelf with stops, top, large
	H18A156	H18A156	Trim for Shelf Slide
47	H17A211	H17A211	Sliding shelf with stops, middle or bottom, large
	H17A202	H17A202	Shelf stop
49	H17A213	H17A213	Shelf, small, over utility basket
50	H20A248	H20A248	Bumper for shelf
51	H30A83	H30A83	VEGETABLE DRAWER WITH COVER
52	H30A86	H30A86	Front panel for vegetable drawer
	H30A84	H30A84	Cover for vegetable drawer
	H30A85	H30A85	Pan for vegetable drawer
	H30A66	H30A66	Handle for vegetable drawer
	H30A67	H30A67	Spacer between pan and front panel
	H20A341	H20A341	Screw fastening front panel and handle to pan
	205128	205128	Nut for Cat. H20A341
	179789	179789	Washer for Cat. H20A341
53	A21R123	A21R123	UTILITY BASKET
	A21R124	A21R124	Utility basket without handle and front panel
	H30A88	H30A88	Front panel for utility basket
	A21R84	A21R84	Handle for utility basket
	H30A67	H30A67	Spacer between front panel and utility basket
	H20A341	H20A341	Screw fastening front panel and handle to utility basket (10-30)
	205128	205128	Nut for Cat. H20A341
	H20A364	H20A364	Support for vegetable drawer and utility basket
	H17A125	H17A125	Rubber bumper for Cat. H20A364
	78X435	78X435	Lamp receptacle
	H20A60	H20A60	Screw for Cat. 78X435 (No. 8)
	GE3014	GE3014	Connector for wire
	H5X20	H5X20	Cabinet Insulation (Kimsul, 18' roll)
	A1R134	A1R134	*Accessories

\* Refer to Accessories Section for Parts Included.

^ Later Production Cabinets used Cat. 105113 Screw (10-32) with Cat. 200384 Nut.

† Later Production Cabinets used Cat. 105136 Screw (10-32) with Cat. 200384 Nut and Cat. H20A380 Washer.

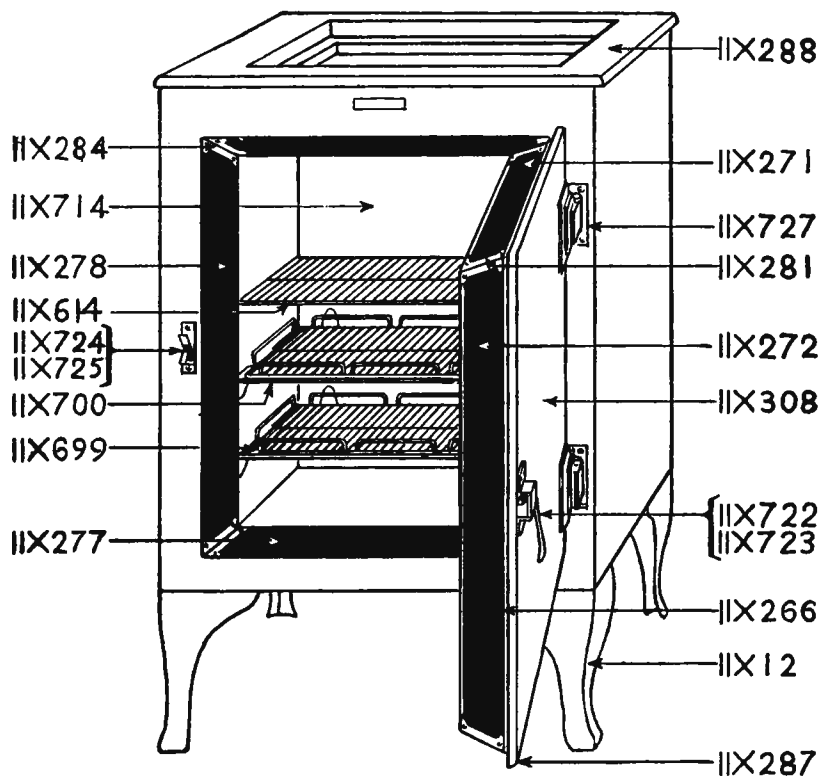
## G-75 — Cabinet Parts



- 11X12 Leg
- 11X266 Rubber Door Gasket (4 Pieces)
- 11X271 Door Strip (Horizontal)
- 11X272 Door Strip (Vertical)
- 11X277 Door Jamb Strip (Horizontal)
- 11X278 Door Jamb Strip (Vertical)
- 11X281 Door Corner
- 11X284 Door Jamb Corner
- 11X287 Complete Door
- 11X288 Top Cover
- 11X294 Inner Liner
- 11X308 Outer Door Panel
- 11X309 Inner Door Panel
- 11X338 Hardware Screw
- 11X339 Door Strip Screw
- 11X340 Nameplate Screw
- 11X518 Hinge
- 11X520 Latch
- 11X521 Strike (Right Hand)
- 11X522 Strike (Left Hand)
- 11X613 Adjustable Shelf
- 11X813 Insulation (Set)
- H5A33 Insulation for Top of Cabinet
- H17A14 Special (Top) Shelf for DRB-31B (replacing Straight)
- H17A15 Special (Top) Shelf for DRB-31B (replacing Offset)
- H17A64 Special Top Shelf (Straight, Offset on End)

Note: The accessories furnished depend on the unit used. Refer to Accessories Section.

## SS-82 and S-85 — Cabinet Parts

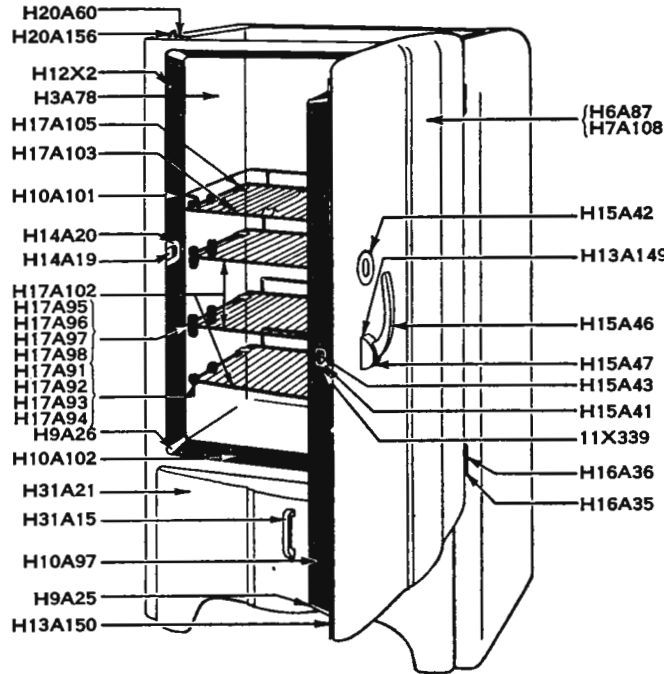


- 11X12 Leg
- 11X266 Rubber Door Gasket (4 Pieces)
- 11X271 Door Strip (Horizontal)
- 11X272 Door Strip (Vertical)
- 11X277 Door Jamb Strip (Horizontal)
- 11X278 Door Jamb Strip (Vertical)
- 11X281 Door Corner
- 11X284 Door Jamb Corner
- 11X287 Complete Door
- 11X288 Top Cover
- 11X308 Outer Door Panel
- 11X309 Inner Door Panel
- 11X614 Straight Adjustable Shelf
- 11X699 Sliding Shelf Only
- 11X700 Frame for Sliding Shelf
- 11X714 Inner Liner
- 11X722 Latch (Right Hand)
- 11X723 Latch (Left Hand)
- 11X724 Strike (Right Hand)
- 11X725 Strike (Left Hand)
- 11X727 Hinge
- 11X785 Door Strip Screw
- 11X788 Hardware Screw
- 11X816 Insulation (Set)
- H5A33 Insulation for Top of Cabinet
- H17A13 Shelf (Special Top for DRB-31B)
- H17X95 Half Size Sliding Shelf
- H17X96 Half Size Sliding Shelf Frame

Note: The accessories furnished depend on the unit used. Refer to Accessories Section.

Always Give Catalog Number

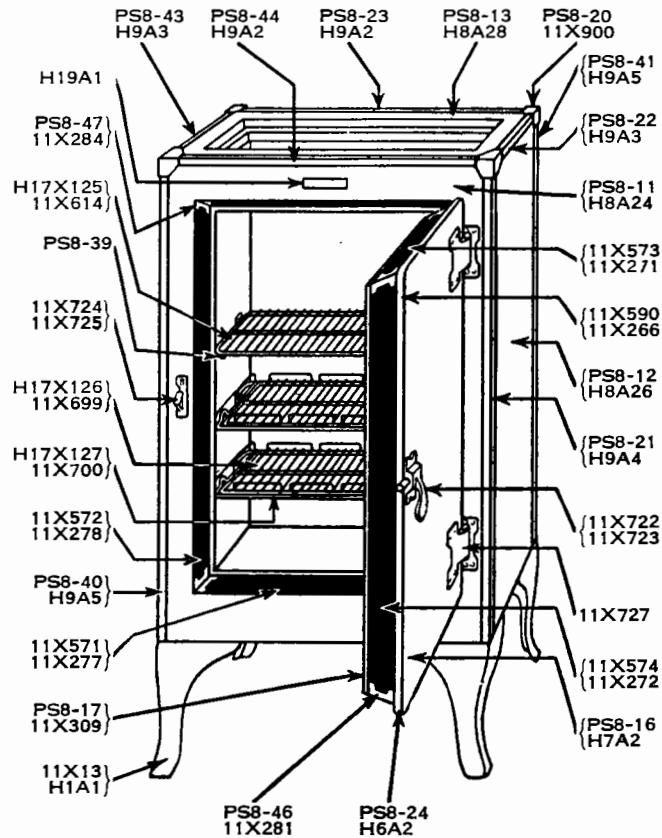
## M-8-37A—Cabinet Parts



- |   |  |
|---|--|
| <p>A1R74† Accessories<br/>                 A2R10 Glider for Outer Case (Left Front or Right Rear)<br/>                 A2R11 Glider for Outer Case (Right Front or Left Rear)<br/>                 H3A78 Inner Liner with Shelf Supports<br/>                 H5A144 Cabinet Insulation (Set)<br/>                 H6A87 Door Complete (Right-Hand Cabinet)<br/>                 H6A88 Door Complete (Left-Hand Cabinet)<br/>                 H7A107 Inner Door Panel<br/>                 H7A108 Outer Door Panel (Right-Hand Cabinet)<br/>                 H7A109 Outer Door Panel (Left-Hand Cabinet)<br/>                 H9A25 Door Corner<br/>                 H9A26 Door Jamb Corner<br/>                 H10A96 Door Strip (Vertical, Hinge Side)<br/>                 H10A97 Door Strip (Vertical, Latch Side, with Escutcheon for Latch Bolt)<br/>                 H10A98 Door Strip (Horizontal)<br/>                 H10A99 Door Jamb Strip (Vertical, Hinge Side, Right-Hand Cabinet)<br/>                 H10A100 Door Jamb Strip (Vertical, Hinge Side, Left-Hand Cabinet)<br/>                 H10A101 Door Jamb Strip (Vertical, Latch Side)<br/>                 H10A102 Door Jamb Strip (Horizontal)<br/>                 H11A20 Tapping Strip for Outer Case and Hinge<br/>                 H11A47 Tapping Strip for Door and Hinge<br/>                 H11A89 Tapping Strip for Drawer Frame (Right-Hand Side)<br/>                 H11A90 Tapping Strip for Outer Case (Horizontal)<br/>                 H11A91 Tapping Strip for Outer Case (Vertical)<br/>                 H11A92 Tapping Strip for Inner Liner (Horizontal)<br/>                 H11A93 Tapping Strip for Inner Liner (Vertical)<br/>                 H11A94 Tapping Strip for Shelf Supports, without Screw<br/>                 H11A95 Tapping Strip for Shelf Supports, with Screw for H17A90 Shelf Support<br/>                 H11A96 Tapping Strip for Inner Door Panel (Vertical)<br/>                 H11A97 Tapping Strip for Inner Door Panel (Horizontal)<br/>                 H11A98 Tapping Strip for Outer Door Panel (Vertical, Latch Side)<br/>                 H11A99 Tapping Strip for Outer Door Panel (Vertical, Hinge Side)<br/>                 H11A100 Tapping Strip for Outer Door Panel (Horizontal)<br/>                 H11A104 Tapping Strip for Drawer Frame (Left-Hand Side)<br/>                 H12A2 Screw fastening Straight or Headed Shelf Support to Inner Liner<br/>                 H12X2 Screw for Door Jamb Strip or Door Strip<br/>                 H13A60 Gasket for Flush Cup Receptacle<br/>                 H13A142 Rubber Bushing for Light Receptacle<br/>                 H13A148 Gasket between Latch Case and Outer Door Panel<br/>                 H13A149 Seal for Latch Handle<br/>                 H13A150 Rubber Door Gasket<br/>                 H14A19 Strike<br/>                 H14A20 Strike Case<br/>                 H15A41 Escutcheon for Door Strip and Latch Bolt<br/>                 H15A42 Scuff Plate for Latch Handle<br/>                 H15A43 Latch Case with Bolt, Spring, Gasket and Nut<br/>                 H15A44 Spring for Latch Case and Bolt<br/>                 H15A45 Nut fastening Latch Case and Latch Handle to Outer Door Panel<br/>                 H15A46 Latch Handle without Escutcheon Plate<br/>                 H15A47 Escutcheon Plate for Latch Handle<br/>                 H16A35 Hinge with End Covers<br/>                 H16A36 Cover for Hinge<br/>                 H17A89 Shelf Support (Straight)<br/>                 H17A90 Shelf Support (Headed)<br/>                 H17A91 Shelf Support (Single Slot, 1/4" thick)<br/>                 H17A92 Shelf Support (Single Slot, 3/8" thick)<br/>                 H17A93 Shelf Support (Single Slot, 1/2" thick)<br/>                 H17A94 Shelf Support (Single Slot, 5/8" thick)<br/>                 H17A95 Shelf Support (Double Slot, 1/4" thick)<br/>                 H17A96 Shelf Support (Double Slot, 3/8" thick)<br/>                 H17A97 Shelf Support (Double Slot, 1/2" thick)<br/>                 H17A98 Shelf Support (Double Slot, 5/8" thick)</p> | <p>H17A102 Shelf (First, Second or Third from Bottom)<br/>                 H17A103 Shelf (Top, large)<br/>                 H17A104 Shelf (Top, small)<br/>                 H17A105 Stop for Shelf<br/>                 H17A110 Fiber Washer for Single Slot Shelf Support<br/>                 H17A111 Fiber Washer for Double Slot Shelf Support<br/>                 H18A3 Washer for H12A2 Screw<br/>                 H18A54 Momentary Contact Switch (Short Leads)<br/>                 H18A92 Rivet Fastening H11A20 to Outer Case or H11A47 to Outer Door Panel<br/>                 H19A5 Lamp Guard<br/>                 H19A6 Retaining Spring for Momentary Contact Switch<br/>                 H19A15 Light Receptacle with Porcelain Bushing (Short Leads)<br/>                 H19A18 Lockwasher for Momentary Contact Switch<br/>                 H19A21 Nut Fastening Momentary Contact Switch to Door Jamb Strip<br/>                 H20A4 Rivet Fastening Tapping Strip to Outer Case, Outer Door Panel or Inner Liner<br/>                 H20A9 Washer for Flush Cup Receptacle<br/>                 H20A10 Lock Nut for Flush Cup Receptacle<br/>                 H20A47 Screw for Hinge<br/>                 H20A60 Screw for H20A156 or H20A157 Clips<br/>                 H20A117 Lockwasher for Latch Handle Nut<br/>                 H20A138 Washer for 126914 or 58X287 Screws, Fiber (0.031" thick)<br/>                 H20A155 Ice Tray Lifter Hook<br/>                 H20A156 Clip for Top Cover or Unit Base (Front)<br/>                 H20A157 Clip for Top Cover or Unit Base (Back)<br/>                 H20A159 Screw Fastening Slotted Shelf Support to Tapping Strip<br/>                 H20A160 Speed Nut for 46X795 Screw<br/>                 H20A168 Washer for 126914 or 58X287 Screws (0.018" thick)<br/>                 H20A174 Screw Fastening Storage Drawer Frame to Cabinet<br/>                 H20A230 Washer under Scuff Plate<br/>                 H22A24 Insulation for Storage Drawer Compartment Side<br/>                 H22A28 Insulation for Front Panel on Storage Drawer<br/>                 H31A15 Handle for Storage Drawer<br/>                 H31A16 Wire Partition for Storage Drawer<br/>                 H31A17 Stop for Storage Drawer (Hexagon Head)<br/>                 H31A21 Front Panel for Storage Drawer without Handle or Clip<br/>                 H31A22 Storage Drawer without Front Panel<br/>                 H31A23 Frame with Guide Channels for Storage Drawer<br/>                 H31A24 Guide Channel for Storage Drawer Frame (Right Hand)<br/>                 H31A25 Guide Channel for Storage Drawer Frame (Left Hand)<br/>                 H31A26 Clip for H31A21 Panel<br/>                 H31A27 Roller for H31A22 Storage Drawer<br/>                 H31A28 Rivet for H31A27 Roller<br/>                 H31A29 Roller for H31A24, H31A25 Storage Drawer Guide Channel<br/>                 H31A30 Rivet for H31A29 Roller<br/>                 H31A31 Stop for Storage Drawer (Countersunk Flat Head)<br/>                 11X339 Screw Fastening Latch Case to Door Strip or Screw for Strike<br/>                 20X536 Cap Screw Fastening Guide Channel for Storage Drawer to Frame<br/>                 49X556 Flush Cup Receptacle (Short Leads)<br/>                 49X972 Porcelain Bushing for Light Receptacle<br/>                 58X287 Screw Fastening Front Panel to Storage Drawer or Clip to Front Panel<br/>                 58X310 Lockwasher for 11X339 Strike Screw or 126914 Screw<br/>                 58X324 Lockwasher for H20A159 Screw<br/>                 58X325 Lockwasher for 58X326 Nut<br/>                 58X326 Nut Fastening Scuff Plate to Outer Door Panel<br/>                 58X338 Screw fastening Glider to Cabinet<br/>                 126914 Screw Fastening Handle to Storage Drawer<br/>                 150279 Washer for H20A174 or 58X287 Screws (0.044" thick)<br/>                 150606 Cotter Pin for H31A31 Storage Drawer Stop<br/>                 160980 Washer for 20X536 Screw<br/>                 165736 Washer for H20A60 Screw or Steel Washer under Scuff Plate</p> |
|---|--|

† Refer to Accessories Section for parts included.

## PS-8 and P-85E — Cabinet Parts



Name of Part	PS-8	P-85E	Name of Part	PS-8	P-85E
Front Panel (Right Hand)	PS8-11	H8A24	Latch (Left Hand)	11X723	11X723
Front Panel (Left Hand)	PS8-11	H8A25	Strike (Right Hand)	11X724	11X724
Side Panel (Right)	PS8-12	H8A26	Strike (Left Hand)	11X725	11X725
Side Panel (Left)	PS8-45	H8A27	Hinge	11X727	11X727
Top Panel Complete	PS8-13	H8A28	Door Gasket (Vertical)		H13A19
Outer Door Panel	PS8-16	H7A2	Door Gasket (Horizontal)		11X801
Inner Door Panel	PS8-17	11X309	Screw for Door or Door Jamb Strip, Top Panel, Bottom of Front and Side Panel		11X339
Shelf (Straight Adjustable)	H17X125	11X614	Hardware Screw		H12A10
Metal Corner	PS8-20	11X900	Washer for Hinge		H18A23
Metal Stile (Right Front)	PS8-21	H9A4	Washer for Latch		H18A24
Metal Stile (Left Front)	PS8-40	H9A5	Washer for Strike		11X903
Metal Stile (Right Rear)	PS8-41	H9A5	Shim for Hinge		H18A25
Metal Stile (Left Rear)	PS8-42	H9A4	Shim for Latch		H18A26
Inner Liner	PS8-15	11X714	Top Panel (Right or Left)	PS8-9	
Sliding Shelf	H17X126	11X699	Top Panel (Front or Rear)	PS8-10	
Sliding Shelf Frame	H17X127	11X700	Shim for Strike		H18A27
Metal Trim (Right Top)	PS8-22	H9A3	Screw for Metal Corner		H12A11
Metal Trim (Top Rear)	PS8-23	H9A2	Screw for Metal Trim		58X18
Metal Trim (Left Top)	PS8-43	H9A3	Washer for Top Panel Screw		H18A19
Metal Trim (Top Front)	PS8-44	H9A2	Cap Screw for Leg		H12A9
Complete Door	PS8-24	H6A2	Washer for H12A9 Screw		H18A18
Shelf Lugs	PS8-39		Fiber Washer for Cap Screw		H18A17
Door Corner	PS8-46	11X281	Spacer for Leg		H18A29
Door Jamb Corner	PS8-47	11X284	Top Gasket		H13A16
Leg	*11X13	H1A1	Flange Gasket		H13A20
Door Jamb Strip (Horizontal)	11X571	11X277	Screw for Nameplate		H12A14
Door Jamb Strip (Vertical)	11X572	11X278	Washer for Nameplate Screw		H18A28
Door Strip (Horizontal)	11X573	11X271	Rubber Seal for Door Jamb Strip		H13A21
Door Strip (Vertical)	11X574	11X272	"A" Frame for Outer Door		H18A88
Door Gasket (4 Pieces)	11X590	11X266	Rivets for H18A88 Frame		H18A91
Latch (Right Hand)	11X722	11X722	Special Top Shelf for DRB-31B Unit		H17A13

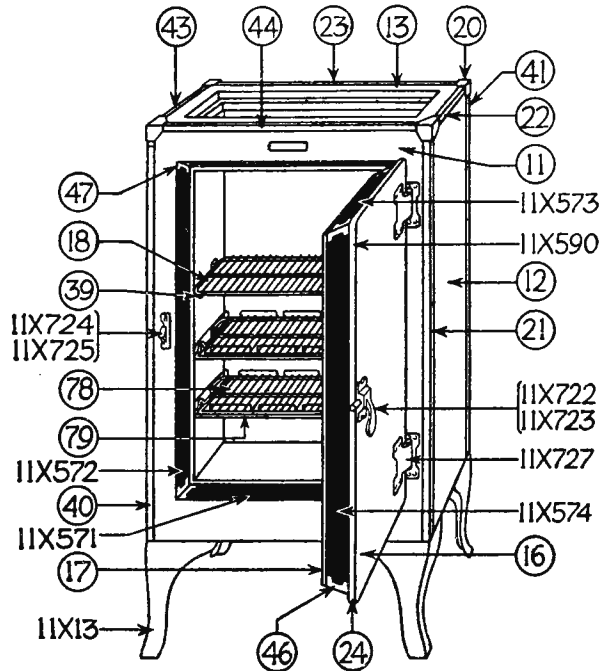
Note: PS-8 Cabinet built by Seeger; P-85E Cabinet built by General Electric Co.

\* When ordering specify as unwiped leg.

Note: The accessories furnished depend on the unit used. Refer to the Accessories Section.

Always Give Catalog Number

## P-83 — Cabinet Parts

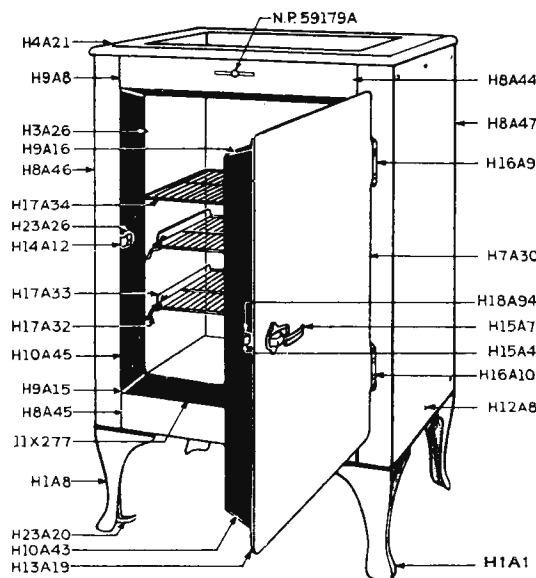


P83-9	Top Panel (Right or Left Piece)	P83-39	Shelf Lugs
P83-10	Top Panel (Front or Rear Piece)	P83-46	Door Corner
P83-11	Front Panel	P83-47	Door Jamb Corner
P83-12	Side Panel (Right)	11X13	Leg (Unwiped)
P83-45	Side Panel (Left)	11X571	Door Jamb Strip (Horizontal)
P83-13	Top Panel (4 Pieces)	11X572	Door Jamb Strip (Vertical)
P83-16	Outer Door Panel	11X573	Door Strip (Horizontal)
P83-17	Inner Door Panel	11X574	Door Strip (Vertical)
P83-20	Metal Corner	11X590	Door Gasket (4 Pieces)
P83-21	Metal Stile (Right Front)	11X722	Latch (Right Hand)
P83-40	Metal Stile (Left Front)	11X723	Latch (Left Hand)
P83-41	Metal Stile (Right Rear)	11X724	Strike (Right Hand)
P83-42	Metal Stile (Left Rear)	11X725	Strike (Left Hand)
P83-22	Metal Trim (Right Top)	11X727	Hinge
P83-23	Metal Trim (Top Rear)	H17X125	Shelf (Straight Adjustable)
P83-43	Metal Trim (Left Top)	H17X126	Sliding Shelf
P83-44	Metal Trim (Top Front)	H17X127	Sliding Shelf Frame
P83-24	Complete Door		

Note: The accessories furnished depend on the unit used. Refer to Accessories Section.

Always Give Catalog Number

## T-9A—Cabinet Parts

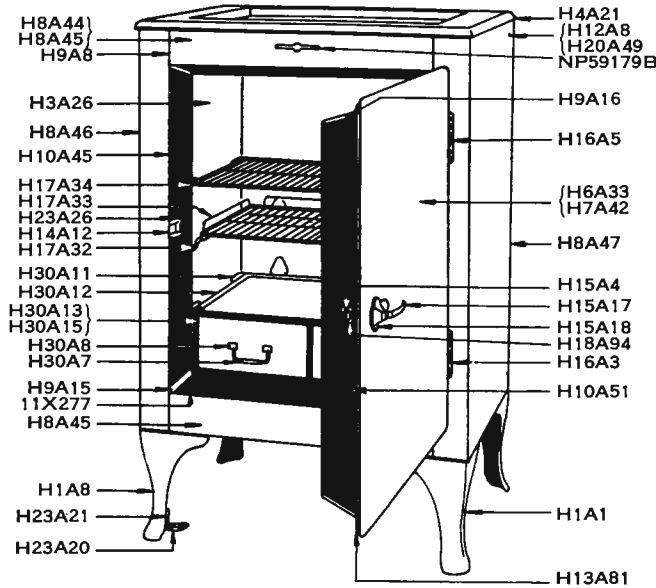


A1R31†	Accessories (Cabinet)	H18A18	Washer for H12A9 Cap Screw
H1A1	Leg without Bracket (11 1/8")	H18A19	Brass Washer for Top Panel Screw
H1A8	Leg with Bracket (11 1/8")	H18A22	Washer for Short Leg
H1A9	Leg with Bracket (5 3/4")	H18A38	Washer for H12A8 Screw
H3A26	Inner Liner	H18A43	Fiber Washer between Leg and Panel
H4A21	Top Panel	H18A54	Momentary Contact Switch with Leads
H5A48	Insulation (Set)	H18A92	Rivet for Door Brace
H6A25	Door Complete	H18A94	Escutcheon Plate for Door Strip (Latch Side)
H7A30	Outer Door Panel	H19A4	Lamp Guard
H8A44	Top Front Panel	H20A4	Rivet for Tapping Strip
H8A45	Bottom Front Panel	H20A5	Washer between Hinge and Cabinet (0.134")
H8A46	Latch Side Panel	H20A6	Screw for Nameplate Clip
H8A47	Hinge Side Panel	H20A7	Washer between Hinge and Cabinet (0.020")
H9A8	Metal Trim	H20A7	Speed Nut for 49X563 Receptacle
H9A15	Door Jamb Corner	H20A8	Retaining Washer for Flush Cup Receptacle
H9A16	Door Corner	H20A9	Retaining Washer for Flush Cup Receptacle
H10A43	Door Strip with Escutcheon Plate (Latch Side)	H20A10	Lock Nut for Flush Cup Receptacle
H10A44	Door Jamb Strip (Hinge Side)	H20A26	Washer between Hinge and Cabinet (0.010")
H10A45	Door Jamb Strip (Latch Side)	H20A36	Door Brace
H11A37	Tapping Strip for Inner Liner (Top or Bottom)	H20A37	Pad between Front Panel and Outer Casing
H11A38	Tapping Strip for Inner Liner (Side)	H20A38	Frame for Top Panel
H11A39	Tapping Strip for Door (Inner, Side)	H20A39	Pad for Top Panel
H11A40	Tapping Strip for Door (Inner, Top or Bottom)	H20A40	Shim between Side Panel and Outer Casing
H11A41	Tapping Strip for Door (Outer, Hinge Side)	H20A41	Shim for Leg
H11A42	Tapping Strip for Door (Outer, Top or Bottom)	H20A43	Shim between Hinge and Door
H11A44	Tapping Strip for Door (Outer, Latch Side)	H20A44	Washer between Hinge and Door
H11A46	Tapping Strip for Door (Outer, Latch Side)	H23A19	Foot Pedal Door Opener
H12A4	Screw for Sealing Cup and Gasket	H23A20	Foot Pedal with Hinge, Bolt, Nut and Washer
H12A8	Screw for Side Panel	H23A21	Ball Joint Connector
H12A9	Cap Screw for Leg	H23A22	Lock Nut
H12A10	Hardware Screw (except Strike)	H23A23	Connecting Rod (Lower) for use with Long Leg
H12X2	Screw for Door Strip, Door Jamb Strip, or Strike	H23A24	Sealing Cup with Rod
H13A19	Rubber Door Gasket (Side)	H23A25	Connecting Rod (Upper)
H13A36	Sponge Rubber Gasket for Side Panel	H23A26	Strike Case with Plunger (Right-Hand Cabinet)
H13A59	Gasket for Sealing Cup	H23A27	Strike Case with Plunger (Left-Hand Cabinet)
H13A60	Gasket for Flush Cup Receptacle	H23A30	Connecting Rod (Lower) for use with Short Leg
H13A73	Sponge Rubber Gasket for Top or Bottom Panel	89943	Nut for Foot Pedal Bolt
H13A74	Sponge Rubber Gasket for Inner Liner	151711	Screw Fastening H20A38 in Position
H13A75	Rubber Gasket between End of Door Brace and Outer Door Panel	11X11	Leg without Bracket (5 3/4")
H14A12	Strike	11X266	Rubber Door Gasket (4 pieces)
H15A4	Latch Bolt with Rivet	11X271	Door Strip (Top or Bottom)
H15A7	Latch	11X272	Door Strip (Hinge Side)
H15A49	Latch Handle Spring	11X277	Door Jamb Strip (Top or Bottom)
H15A54	Latch Handle Pin	11X309	Inner Door Panel
H16A9	Hinge (Upper)	11X801	Rubber Door Gasket (Top or Bottom)
H16A10	Hinge (Lower)	11X903	Fiber Washer for Top Panel Screw
H17A32	Frame for Sliding Shelf	49X556	Flush Cup Receptacle with Leads
H17A33	Sliding Shelf	49X789	Light Receptacle
H17A34	Top Shelf	61X327	Lockwasher for 89943 Nut
		NP59179B	Clip for Nameplate

† Refer to the Accessories Section for parts included. Other Accessories depend on the Unit used and can be found in the Accessories Section.

Always Give Catalog Number

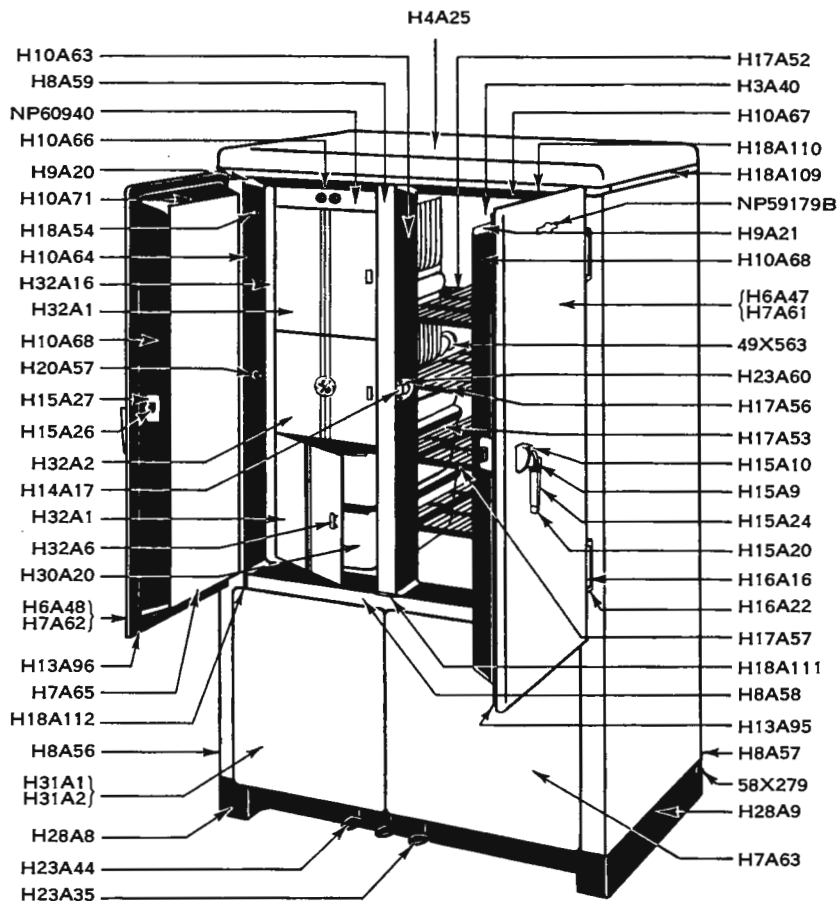
## T-9C, T-9D and TM-9A—Cabinet Parts



Name of Part	Cat. No.		Name of Part	Cat. No.	
	T-9C	TM-9A		T-9C	TM-9A
†Accessories (T-9C)	A1R43		Escutcheon Plate for Door Strip (Latch Side)	H18A94	H18A94
†Accessories (T-9D, TM-9A)	A1R46	A1R58	Lamp Guard	H19A4	H19A4
Leg without Bracket (11 $\frac{1}{8}$ "")	H1A1	H1A1	Rivet for Tapping Strip	H20A4	H20A4
Leg with Bracket (11 $\frac{1}{8}$ "")	H1A8	H1A8	Washer between Hinge and Cabinet (0.134"")	H20A5	H20A5
Leg with Bracket (5 $\frac{3}{4}$ "")	H1A9	H1A9	Screw for Nameplate Clip	H20A6	
Inner Liner	H3A26	H3A26	Washer between Hinge and Cabinet (0.020"")	H20A7	H20A7
Top Panel	H4A21	H4A21	Speed Nut for 49X563 Receptacle	H20A8	H20A8
Cabinet Insulation (Set)	H5A48	H5A48	Retaining Washer for Flush Cup Receptacle	H20A9	H20A9
Door Complete	H6A33	H6A33	Lock Nut for Flush Cup Receptacle	H20A10	H20A10
Outer Door Panel	H7A42	H7A42	Washer between Hinge and Cabinet (0.010"")	H20A26	H20A26
Top Front Panel	H8A44	H8A44	Door Brace	H20A36	H20A36
Bottom Front Panel	H8A45	H8A45	Pad between Front Panel and Outer Casing	H20A37	H20A37
Latch Side Panel	H8A46	H8A46	Frame for Top Panel	H20A38	H20A38
Hinge Side Panel	H8A47	H8A47	Pad for Top Panel	H20A39	H20A39
Metal Trim	H9A8	H9A8	Shim between Side Panel and Outer Casing	H20A40	H20A40
Door Jamb Corner	H9A15	H9A15	Shim between Hinge and Door	H20A43	H20A43
Door Corner	H9A16	H9A16	Washer between Hinge and Door	H20A44	H20A44
Door Jamb Strip (Vertical, Hinge Side)	H10A44	H10A44	Tray Lifter Hook		H20A98
Door Jamb Strip (Vertical, Latch Side)	H10A45	H10A45	Foot Pedal Door Opener	H23A19	H23A19
Door Strip with Escutcheon Plate (Latch Side)	H10A51	H10A51	Foot Pedal with Hinge, Bolt, Nut and Washer	H23A20	H23A20
Door Strip (Vertical, Hinge Side)	H10A52	H10A52	Ball Joint Connector	H23A21	H23A21
Door Strip (Horizontal)	H10A53	H10A53	Lock Nut for H23A21 Connector	H23A22	H23A22
Tapping Strip for Inner Liner (Horizontal)	H11A37	H11A37	Connecting Rod (Lower, for Long Leg)	H23A23	H23A23
Tapping Strip for Inner Liner (Vertical)	H11A38	H11A38	Sealing Cup with Rod	H23A24	H23A24
Tapping Strip for Door (Inner, Vertical)	H11A39	H11A39	Connecting Rod (Upper)	H23A25	H23A25
Tapping Strip for Door (Inner, Horizontal)	H11A40	H11A40	Strike Case with Plunger (Right-Hand Cabinet)	H23A26	H23A26
Tapping Strip for Door (Outer, Vertical, Hinge Side)	H11A41	H11A74	Strike Case with Plunger (Left-Hand Cabinet)	H23A27	H23A27
Tapping Strip for Door (Outer, Horizontal)	H11A42	H11A42	Connecting Rod (Lower, for Short Leg)	H23A30	H23A30
Tapping Strip for Door (Outer, Vertical, Latch Side)	H11A46	H11A46	Channel for Vegetable Drawer and Frame	H30A2	
Tapping Strip for Hinge and Outer Case	H11A73	H11A73	Handle for Vegetable Drawer	H30A7	H30A7
Screw for Sealing Cup and Gasket	H12A4	H20A48	Block for H30A7 Handle	H30A8	H30A8
Screw for Side Panel	H12A8	H20A49	Gasket between H30A8 Block and Front Panel	H30A10	H30A10
Cap Screw for Leg	H12A9	H12A9	Frame for Vegetable Drawer Cover	H30A11	H30A11
Screw for Hinge	H12A10	H12A10	Cover for Vegetable Drawer	H30A12	H30A12
Screw for Door Strip, Door Jamb Strip, or Strike	H12X2		Vegetable Drawer with Front Panel and Handle	H30A13	H30A13
Sponge Rubber Gasket for Side Panel	H13A36	H13A36	Vegetable Drawer only	H30A14	H30A14
Gasket for Sealing Cup	H13A59	H13A59	Front Panel for Vegetable Drawer	H30A15	H30A15
Gasket for Flush Cup Receptacle	H13A60	H13A60	Spacer for H30A15 Front Panel	H30A16	H30A16
Sponge Rubber Gasket for Top or Bottom Panel	H13A73	H13A73	Vegetable Drawer Assembly	H30A18	H30A18
Sponge Rubber Gasket for Inner Liner	H13A74		Nu <sup>o</sup> for Foot Pedal Bolt	89943	89943
Rubber Gasket between End of Door Brace and Outer Door Panel	H13A75	H13A75	Screw for Latch	144066	144066
Rubber Door Gasket	H13A81	H13A81	Screw fastening H20A38 Frame in position	151711	151711
Strike	H14A12	H14A12	Fiber Washer for 66X744 Screw	179789	179789
Latch Bolt with Rivet	H15A4	H15A4	Leg without Bracket (5 $\frac{3}{4}$ "")	11X11	11X11
Latch	H15A17	H15A17	Door Jamb Strip (Horizontal)	11X277	11X277
Escutcheon Plate for Latch Handle	H15A18	H15A18	Inner Door Panel	11X309	11X309
Latch Handle Spring	H15A55	H15A55	Screw for Door Jamb Strip, Door Strip, Strike or Top Panel		
Latch Handle Pin	H15A56	H15A56	Brass Washer for Top Panel Screw	11X903	11X903
Hinge (Lower)	H16A3	H16A3	Flush Cup Receptacle with Leads	49X556	49X542
Hinge (Upper)	H16A5	H16A5	Light Receptacle	49X789	49X789
Frame for Sliding Shelf	H17A32	H17A32	Lockwasher for Strike Screw		58X310
Sliding Shelf	H17A33	H17A33	Lockwasher for 89943 Nut	61X327	61X327
Top Shelf	H17A34	H17A34	Screw fastening Vegetable Drawer Cover to Frame	66X742	66X742
Washer for H12A9 Cap Screw	H18A18	H18A18	Rivet for Vegetable Drawer End Channel and Frame	66X743	
Fiber Washer for Top Panel Screw	H18A19	H18A19	Screw fastening Spacer to Vegetable Drawer or Spacer and Handle Block to Front Panel	66X744	66X744
Washer for Short Leg	H18A22	H18A22	Rivet for Vegetable Drawer Center Channel and Frame	66X745	
Washer for H12A8 or H20A49 Screw	H18A38	H18A38	Clip for Nameplate	NP59179B	
Fiber Washer between Leg and Outer Case	H18A43	H18A43	Connector for Leads	GE3014	
Momentary Contact Switch with Leads	H18A54	H18A54			
Rivet for Door Brace or H11A73 Tapping Strip	H18A92	H18A92			

\* A few Model T-9C Cabinets use H16A9 Hinge with white stripes on body of hinge.  
 † A few Model T-9C Cabinets use H16A10 Hinge with white stripes on body of hinge.  
 ‡ Refer to Accessories Section for parts included.

## KF-12A, †KF-12B—Cabinet Parts



- |        |   |         |  |
|--------|---|---------|--|
| A1R49† | Accessories   | H10A69  | Door Strip (Vertical, Hinge Side)  |
| C20A81 | Screw fastening Evaporator to Inner Liner Cover                         | H10A70  | Door Strip (Horizontal, Large Door)  |
| C20A82 | Rubber Washer between Inner Liner Cover and Washer                      | H10A71  | Door Strip (Horizontal, Small Door)  |
| C20A83 | Washer for C20A81 Screw   | H12A1   | Screw for Evaporator and Trim  |
| H3A40  | Inner Liner   | H12A2   | Screw for Shelf Support or Spacer  |
| H3A41  | Inner Liner Cover (Left Hand)   | H12A9   | Cap Screw for Storage Drawer Frame   |
| H3A42  | Inner Liner Cover (Center)  | H12X2   | Screw fastening Left-Hand Trim to Clip   |
| H3A43  | Inner Liner Cover (Right Hand)  | H13A59  | Gasket for Sealing Cup   |
| H4A25  | Top Cover for Cabinet   | H13A89  | Set of Gaskets between Door Jamb Strips and Outer Panels                         |
| H4A26  | Sealing Cover   | H13A90  | Gasket for Inner Liner Cover and Inner Liner                                     |
| H5A78  | Cabinet Insulation (Set)  | H13A91  | Gasket between Mullion and Inner Liner   |
| H5A79* | Insulation between Inner Liner Cover and Cabinet Cover                  | H13A92  | Gasket between Support and Mullion   |
| H5A80  | Insulation for Refrigerating Machine Compartment Door                   | H13A93  | Rubber Gasket for Latch and Door Frame   |
| H5A81  | Insulation for Refrigerating Machine Compartment (Bottom)               | H13A94  | Gasket for Sealing Cover   |
| H5A82  | Insulation between Refrigerating Machine Compartment and Storage Drawer | H13A95  | Rubber Gasket for Large Door   |
| H5A83  | Insulation between Side Panel and Base (Front Bottom)                   | H13A96  | Rubber Gasket for Small Door   |
| H5A84  | Insulation back of H8A60 Panel  | H13A97  | Gasket between Hinge and Outer Door Panel or between Spacer and Outer Door Panel |
| H5A85  | Insulation back of H8A58 Panel  | H13A101 | Gasket under Latch Handle Escutcheon Plate (Large)                               |
| H6A47  | Large Cabinet Door  | H13A102 | Gasket under Latch Handle Escutcheon Plate (Small)                               |
| H6A48  | Small Cabinet Door  | H13A110 | Gasket between Door Jamb Strip and Outer Panel (Hinge Side)                      |
| H7A61  | Large Outer Door Panel  | H13A111 | Gasket between Door Jamb Strip and Outer Panel (Latch Side)                      |
| H7A62  | Small Outer Door Panel  | H13A112 | Gasket between Door Jamb Strip and Outer Panel (Horizontal, Small Door)          |
| H7A63  | Door Panel with Catches for Refr. Mach. Compartment                     | H13A113 | Gasket between Door Jamb Strip and Outer Panel (Horizontal, Large Door)          |
| H7A64  | Large Inner Door Panel  | H13X4   | Rubber Button for H31A1 Panel  |
| H7A65  | Small Inner Door Panel  | H14A17  | Strike   |
| H8A56  | Side Panel (Left Hand)  | H15A9   | Latch Handle   |
| H8A57  | Side Panel (Right Hand)   | H15A10  | Escutcheon Plate for Latch Handle  |
| H8A58  | Front Panel (Horizontal)  | H15A20  | Thimble for Latch Handle   |
| H8A59  | Middle Panel (Upper Front)  | H15A24  | Handle Grip  |
| H8A60  | Middle Panel (Lower Front)  | H15A26  | Latch Case with Bolt, Spring, Gasket and Nut                                     |
| H9A20  | Door Jamb Corner  | H15A27  | Escutcheon Plate for Latch Bolt  |
| H9A21  | Door Corner   | H15A32  | Nut fastening Handle to Latch  |
| H10A63 | Door Jamb Strip (Vertical, Latch Side, with Filler Piece)               | H15A44  | Spring for Latch Case  |
| H10A64 | Door Jamb Strip (Vertical, Hinge Side, Small Door)                      | H16A16  | Cover for Hinge  |
| H10A65 | Door Jamb Strip (Vertical Hinge Side, Large Door)                       | H16A22  | Hinge (Less Cover)   |
| H10A66 | Door Jamb Strip (Horizontal, Small Door)                                | H17A52  | Shelf back of Evaporator Unit  |
| H10A67 | Door Jamb Strip (Horizontal, Large Door)                                |         |  |
| H10A68 | Door Strip (Vertical, Latch Side)                                       |         |  |

† Refer to Accessories Section for parts included.  
\* Use Kimsul, Cat. No. H5X20.

Always Give Catalog Number



## KF-12A, †KF-12B—Cabinet Parts (Continued)

H17A53	Small Shelf (Side)	H23A65	Foot Pedal (Right-Hand, with Rod)
H17A54	Channel with Catch for H17A57 Shelf	H23A66	Foot Pedal (Middle, with Rod)
H17A55	Channel for H17A53 Shelf	H23A67	Foot Pedal (Left-Hand, with Rod)
H17A56	Large Stationary Shelf	H23A68	Spacer (Left-Hand Foot Pedal)
H17A57	Large Sliding Shelf	H23A69	Foot Pedal Shield
H17A58	Shelf Support, Straight (Stationary Shelf)	H23A70	Connection Rod between Sealing Cup and Plunger Rod
H17A60	Shelf Support (Headed)	H23A71	Drawer Release Lever with Spring, Support and Hinge Pin
H18A3	Fiber Washer (½" O.D.) for H12A2 or H20A16 Screws	H23A72	Stop for Right-Hand or Middle Foot Pedal
H18A18	Washer for H20A15 or H12A9 Screws (⅝" O.D.)	H27A11	Base for Cabinet and Refrigerating Machine
H18A19*	Washer for 11X339 Screw	H28A8	Skirt for Base (Left Hand)
H18A20	Fiber Washer for 58X279 or H20A16 Screws (⅜" O.D.)	H28A9	Skirt for Base (Right Hand)
H18A22	Washer for 126869 Nut	H29A5	Channel for Refrigerating Machine and Evaporator Connection Tubing
H18A38	Washer for 58X304 Screw	H30A19	Cover for Vegetable Drawer
H18A43	Washer for H20A15 Screw and Foot Pedal	H30A20	Vegetable Drawer
H18A54	Momentary Contact Switch with Leads	H30A21	Shelf for Lower Vegetable Drawer
H18A95	Top Trim (Left Hand)	H30A22	Pin for H30A19 Cover
H18A109	Top Trim (Right Hand)	H31A1	Front Panel for Storage Drawer
H18A110	Top Trim (Front)	H31A2	Storage Drawer
H18A111	Trim between H8A58 and H8A59 Panels	H31A3	Rod with Support for Storage Drawer Opener
H18A112	Trim between H8A58 Panel and Side Panel	H31A4	Spring for Storage Drawer Opener
H19A4	Lamp Guard	H31A5	Rear Support for H31A3 Rod
H20A6	Screw for Nameplate Clip	H31A6	Spring Seat for H31A4 Spring
H20A9	Speed Nut for 49X563 Receptacle	H31A7	Stop for H31A4 Spring
H20A15	Screw for Foot Pedal and Base or Cabinet and Base	H31A8	Nut Strip for Stop
H20A16	Screw Fastening Inner Liner Cover to Inner Liner	H31A9	Fiber Wedge for Drawer
H20A19	Rubber Button for Outer Case	H31A10	Supports and Channels for Storage Drawer
H20A20	Rubber Spacer for Channel	H31A11	Sliding Guide Channel with Rollers for Storage Drawer (Right-Hand)
H20A22	Cap Screw Fastening Refrigerating Machine to Base	H31A12	Sliding Guide Channel with Rollers for Storage Drawer (Left-Hand)
H20A47	Screw for Hinge and Cabinet	H32A1	Upper or Lower Door for Evaporator Compartment
H20A48	Screw for Sealing Cup and Gasket	H32A2	Middle Door for Evaporator Compartment
H20A56	Shim between Spacer and Door Frame	H32A3	Trim, Right-Hand (Evaporator Compartment)
H20A57	Door Spring	H32A6	Handle for Evaporator Compartment Door
H20A59	Spacer between Evaporator and Inner Liner Cover	H32A7	Spring Latch for Evaporator Compartment Door
H20A60	Screw for Sealing Cover, Side Panel, Clamp, Trim or Spring Clip	H32A8	Upper Hinge for Middle Evaporator Compartment Door
H20A61	Spring Clip for Refr. Mach. Compartment Panel	H32A9	Lower Hinge for Middle Evaporator Compartment Door
H20A75	Rubber Washer for H20A16 Screw	H32A10	Hinge for Upper or Lower Evaporator Compartment Door
H20A76	Spacer for Side Channel and Inner Liner, or Shelf Support (Straight) for Sliding Shelf	H32A11	Pin for H32A8, H32A9 or H32A10 Hinges
H20A77	Spring for Door Jamb Strip	H32A12	Spacer between Evaporator and Trim Clip
H20A78	Spring Retainer for H20A77 or H20A88 Springs	H32A13	Spacer for Handle or H32A7 Spring Latch
H20A79	Support for Mullion Tube	H32A14	Baffle for Evaporator Compartment
H20A80	Spacer for Mullion	H32A15	Spring Clip for Baffle
H20A81	Washer for 58X276 Screw	H32A16	Trim, Left-Hand (Evaporator Compartment)
H20A82	Clamp for Tubes	H32A17	Clip (Left-Hand Trim)
H20A83	Pad for Hinges and Cabinet	4030	Cotter Pin for Hinge Pin
H20A84	Mullion for Inner Liner	13919	Nut for C20A81 Screw
H20A85	Support for H20A84 Mullion	126869	Nut for H20A22 Cap Screw
H20A86	Screw for H20A84 Mullion	126914	Screw for Stop and Drawer Release
H20A87	Spacer for Hinge and Door	150279	Washer for 126914 Screw
H20A88	Spring for Door Strip	153179	Fiber Washer (¾" O.D.) for H20A16 Screw
H20A89	Screw for Hinge and Door	153923	Screw for H20A80 Spacer and Outer Case
H20A90	Frame for Large Door	179789	Washer for 11X339, H20A60, H20A86 Screws and for 58X286 Nut
H20A91	Frame for Small Door	278451	Screw for H5A82 Insulation
H20A92	Drain for Chiller Tray	465012	Steel Washer for H20A16 Screw
H20A94	Rubber Bumper for Evaporator Compartment Door	1X452	Nut for H20A16 Screw
H20A95	Screw Fastening Control to Escutcheon Plate	11X339*	Screw for Tube Sealing Plate, Latch, Strike or H20A107 Catch
H20A96	Nut for H20A95 Screw	49X789	Light Receptacle with Leads
H20A103	Brass Washer between Hinge and Cabinet Door	54X685	Washer for 278451 Screw
H20A104	Rubber Spacer for Outer Door Panel and Frame (Left-Hand facing Inner Side of Panel)	58X272	Screw for End Channel, Fastening Channel to Mullion or Inner Liner
H20A105	Rubber Spacer for Outer Door Panel and Frame (Right-Hand facing Inner Side of Panel)	58X274	Washer for 58X303 Screw
H20A106	Rubber Button for Refr. Mach. Compartment Panel	58X275	Screw for Front Panel
H20A107*	Catch with Rivet and Filler Piece for Refr. Mach. Compartment Panel	58X276	Screw for Side Panel, Rear, or Channel Spacer
H20A108	Spacer for H12A9 Screw (0.125" thick)	58X277	Screw for Top Cover
H20A109	Spacer for H12A9 Screw (0.031" thick)	58X278	Washer for 58X277 Screw
H20A111	Heater for Mullion (32 Volt)	58X279	Screw for Skirt
H20A112	Heater for Mullion (65 Volt)	58X280	Screw for H8A60 Panel
H20A113	Heater for Mullion (230 Volt)	58X281	Screw for Channel and Shelf Support
H20A115	Pad for Side Panel (Front)	58X282	Screw for Trim
H20A140	Steel Washer for 58X287 Screw (⅜" O.D.)	58X283	Screw for H32A6 Handle
H20A267	Heater for Mullion (115 Volt)	58X284	Screw for H32A8, H32A9, H32A10 Hinges or for Escutcheon Plate
H20X6	Service Clip Assembly for Servicing Units	58X285	Nut for H30A22 Pin
H23A24	Sealing Cup with Connecting Rod	58X286	Nut for H12A1 Screw
H23A35	Black Rubber Boot for Foot Pedal	58X287	Screw for H31A1 Panel or for Fiber Wedge
H23A37	Connection Rod between Gland and Turnbuckle	58X303	Screw for H20A80 Spacer and Inner Liner
H23A39	Turnbuckle for Connection Rod	58X304	Screw for Side Panel
H23A44	Grey Rubber Boot for Foot Pedal	61X328	Lockwasher for 13919 Nut
H23A60	Strike Case with Plunger (Right-Hand Door)	64X973	Check Nut for Turnbuckle (Left-Hand Thread)
H23A61	Strike Case with Plunger (Left-Hand Door)	64X974	Check Nut for Turnbuckle (Right-Hand Thread)
H23A62	Foot Pedal Door and Drawer Opener	65X631	Washer for 58X275 or 58X280 Screws
H23A63	Foot Pedal with Bracket, Hinge Pin, Rod and Shield	GE3014	Connector for Leads
H23A64	Hinge Pin for Foot Pedal	NP59179B	Clip for Nameplate
		NP60940	Escutcheon Plate for Control

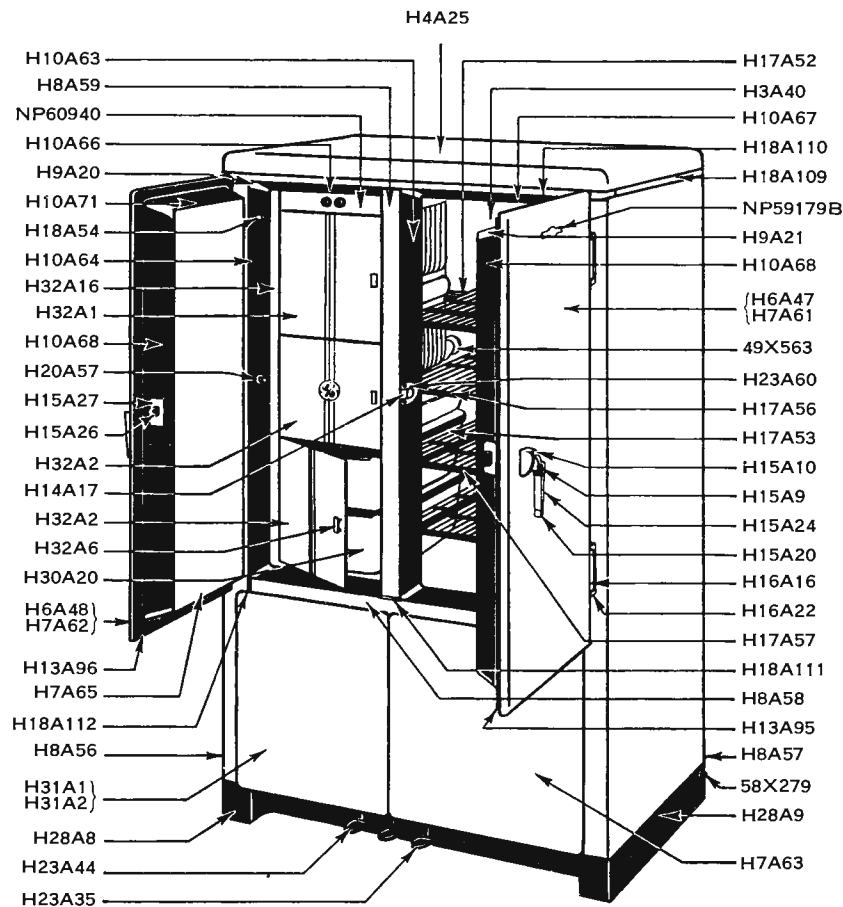
\* On first production the Catch for Refrigerating Machine Compartment Door was welded in position, but later fastened to the door with screws.

† KF-12B Cabinet has same renewal parts as KF-12A except Baffle for Evaporator Compartment and other parts not used on KF-12A as follows:

H17A87	Shelf and Hanger (Small)	H20A132	Cover Strip
H20A100	Acorn Nut	H20A133	Hanger for Top Shelf
H20A131	Baffle for Evaporator Compartment	63X305	Lockwasher for H17A87 Shelf

Always Give Catalog Number

## K-12A—Cabinet Parts



- |        |   |         |  |
|--------|---|---------|--|
| A1R49† | Accessories   | H12A1   | Screw for Evaporator and Trim  |
| H3A40  | Inner Liner   | H12A2   | Screw for Shelf Support or Spacer  |
| H3A43  | Inner Liner Cover (Right Hand)  | H12A9   | Cap Screw for Storage Drawer Frame   |
| H4A25  | Top Cover for Cabinet   | H12X2   | Screw Fastening Left-Hand Trim to Clip   |
| H4A26  | Sealing Cover   | H13A59  | Gasket for Sealing Cup   |
| H5A79* | Insulation between Inner Liner Cover and Cabinet Cover                  | H13A89  | Set of Gaskets between Door Jamb Strips and Outer Panels                         |
| H5A80  | Insulation for Refrigerating Machine Compartment Door                   | H13A91  | Gasket between Mullion and Inner Liner   |
| H5A82  | Insulation between Refrigerating Machine Compartment and Storage Drawer | H13A92  | Gasket between Support and Mullion   |
| H5A83  | Insulation between Side Panel and Base (Front Bottom)                   | H13A93  | Rubber Gasket for Latch and Door Frame   |
| H5A84  | Insulation back of H8A60 Panel  | H13A94  | Gasket for Sealing Cover   |
| H5A85  | Insulation back of H8A58 Panel  | H13A95  | Rubber Gasket for Large Door   |
| H5A161 | Cabinet Insulation (Set)  | H13A96  | Rubber Gasket for Small Door   |
| H6A47  | Large Cabinet Door  | H13A97  | Gasket between Hinge and Outer Door Panel or between Spacer and Outer Door Panel |
| H6A48  | Small Cabinet Door  | H13A101 | Gasket under Latch Handle Escutcheon Plate (Large)                               |
| H7A61  | Large Outer Door Panel  | H13A102 | Gasket under Latch Handle Escutcheon Plate (Small)                               |
| H7A62  | Small Outer Door Panel  | H13A110 | Gasket between Door Jamb Strip and Outer Panel (Hinge Side)                      |
| H7A63  | Door Panel with Catches for Refrigerating Machine Compartment           | H13A111 | Gasket between Door Jamb Strip and Outer Panel (Latch Side)                      |
| H7A64  | Large Inner Door Panel  | H13A112 | Gasket between Door Jamb Strip and Outer Panel (Horizontal, Small Door)          |
| H7A65  | Small Inner Door Panel  | H13A113 | Gasket between Door Jamb Strip and Outer Panel (Horizontal, Large Door)          |
| H8A56  | Side Panel (Left Hand)  | H13A161 | Gasket for Inner Liner Cover and Inner Liner                                     |
| H8A57  | Side Panel (Right Hand)   | H13X4   | Rubber Button for H31A1 Front Panel  |
| H8A58  | Front Panel (Horizontal)  | H14A17  | Strike   |
| H8A59  | Middle Panel (Upper Front)  | H15A9   | Latch Handle   |
| H8A60  | Middle Panel (Lower Front)  | H15A10  | Escutcheon Plate for Latch Handle  |
| H9A20  | Door Jamb Corner  | H15A20  | Thimble for Latch Handle   |
| H9A21  | Door Corner   | H15A24  | Handle Grip  |
| H10A63 | Door Jamb Strip (Vertical, Latch Side, with Filler Piece)               | H15A26  | Latch Case with Bolt, Spring, Gasket and Nut                                     |
| H10A64 | Door Jamb Strip (Vertical, Hinge Side, Small Door)                      | H15A27  | Escutcheon Plate for Latch Bolt  |
| H10A65 | Door Jamb Strip (Vertical, Hinge Side, Large Door)                      | H15A32  | Nut Fastening Handle to Latch  |
| H10A66 | Door Jamb Strip (Horizontal, Small Door)                                | H15A44  | Spring for Latch Case  |
| H10A67 | Door Jamb Strip (Horizontal, Large Door)                                | H16A16  | Cover for Hinge  |
| H10A68 | Door Strip (Vertical, Latch Side)                                       | H16A22  | Hinge (Less Cover)   |
| H10A69 | Door Strip (Vertical, Hinge Side)                                       | H17A52  | Shelf back of Evaporator Unit  |
| H10A70 | Door Strip (Horizontal, Large Door)                                     |         |  |
| H10A71 | Door Strip (Horizontal, Small Door)                                     |         |  |

† Refer to Accessories Section for parts included.  
\* Use Kimsul, Cat. No. H5X20.

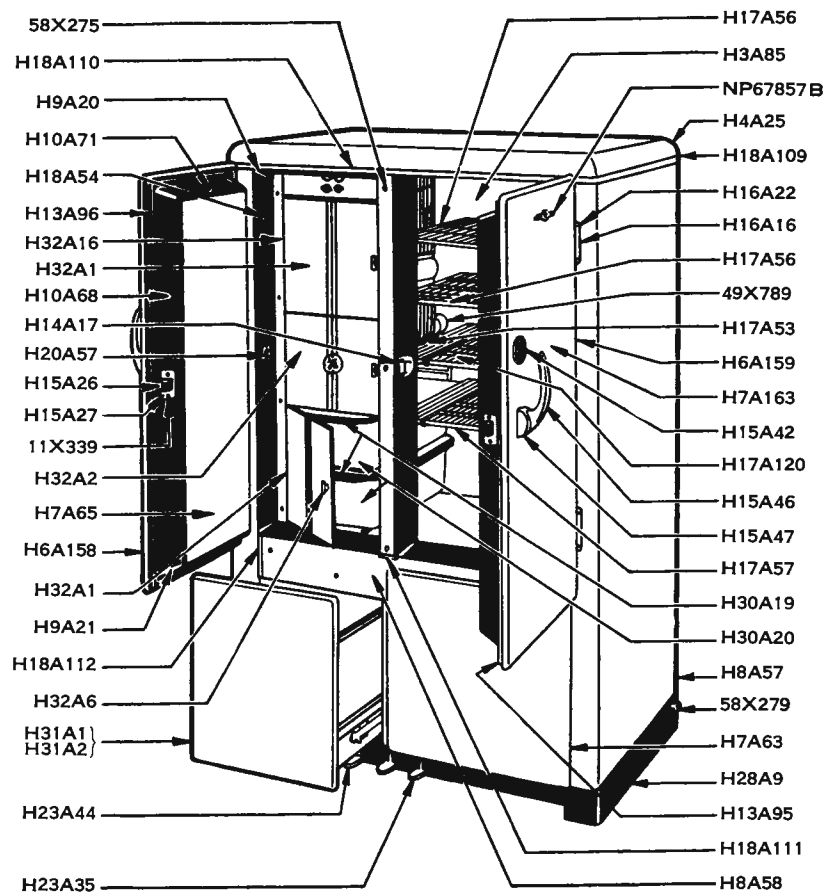
Always Give Catalog Number

## K-12A—Cabinet Parts (Continued)

H17A53	Small Shelf (Side)	H23A63	Foot Pedal with Bracket, Hinge Pin, Rod and Shield
H17A54	Channel with Catch for H17A57 Shelf	H23A64	Hinge Pin for Foot Pedal
H17A55	Channel for H17A53 Shelf	H23A65	Foot Pedal (Right-Hand, with Rod)
H17A56	Large Stationary Shelf	H23A66	Foot Pedal (Middle, with Rod)
H17A57	Large Sliding Shelf	H23A67	Foot Pedal (Left-Hand, with Rod)
H17A58	Shelf Support, Straight (Stationary Shelf)	H23A68	Spacer (Left-Hand Foot Pedal)
H17A60	Shelf Support (Headed)	H23A69	Foot Pedal Shield
H17A87	Shelf and Hanger (Small)	H23A70	Connection Rod between Sealing Cup and Plunger Rod
H18A3	Fiber Washer ( $\frac{1}{2}$ " O.D.) for H12A2 or H20A16 Screws	H23A71	Drawer Release Lever with Spring, Support and Hinge Pin
H18A18	Washer for H20A15, H12A9 or 279364 Screws ( $\frac{5}{8}$ " O.D.)	H23A72	Stop for Right-Hand or Middle Foot Pedal
H18A19	Washer for 11X339 Screw	H27A32	Base for Cabinet and Refrigerating Machine
H18A20	Fiber Washer for 58X279 or H20A16 Screws ( $\frac{3}{4}$ " O.D.)	H28A8	Skirt for Base (Left Hand)
H18A38	Washer for 58X304 Screw	H28A9	Skirt for Base (Right Hand)
H18A43	Washer for H20A15 Screw and Foot Pedal	H29A5	Channel for Refrigerating Machine and Evaporator Connection Tubing
H18A54	Momentary Contact Switch with Leads	H30A19	Cover for Vegetable Drawer
H18A95	Top Trim (Left Hand)	H30A20	Vegetable Drawer
H18A109	Top Trim (Right Hand)	H30A21	Shelf for Lower Vegetable Drawer
H18A110	Top Trim (Front)	H30A22	Pin for H30A19 Cover
H18A111	Trim between H8A58 and H8A59 Panels	H31A1	Front Panel for Storage Drawer
H18A112	Trim between H8A58 Panel and Side Panel	H31A2	Storage Drawer
H19A4	Lamp Guard	H31A3	Rod with Support for Storage Drawer Opener
H20A6	Screw for Nameplate Clip	H31A4	Spring for Storage Drawer Opener
H20A8	Speed Nut for 49X563 Receptacle	H31A5	Rear Support for H31A3 Rod
H20A15	Screw for Foot Pedal and Base or Cabinet and Base	H31A6	Spring Seat for H31A4 Spring
H20A16	Screw Fastening Inner Liner Cover to Inner Liner	H31A7	Stop for H31A4 Spring
H20A19	Rubber Button for Outer Case	H31A8	Nut Strip for Stop
H20A20	Rubber Spacer for Channel	H31A9	Fiber Wedge for Drawer
H20A47	Screw for Hinge and Cabinet	H31A10	Supports and Channels for Storage Drawer
H20A48	Screw for Sealing Cup and Gasket	H31A11	Sliding Guide Channel with Rollers for Storage Drawer (Right-Hand)
H20A56	Shim between Spacer and Door Frame	H31A12	Sliding Guide Channel with Rollers for Storage Drawer (Left-Hand)
H20A57	Door Spring	H32A1	Upper or Lower Door for Evaporator Compartment
H20A60	Screw for Sealing Cover, Side Panel, Clamp, Trim or Spring Clip	H32A2	Middle Door for Evaporator Compartment
H20A61	Spring Clip for Refrigerating Machine Compartment Panel	H32A3	Trim, Right-Hand (Evaporator Compartment)
H20A74	Fiber Washer for H20A86 Screw	H32A6	Handle for Evaporator Compartment Door
H20A75	Rubber Washer for H20A16 Screw	H32A7	Spring Latch for Evaporator Compartment Door
H20A76	Spacer for Side Channel and Inner Liner, or Shelf Support (Straight) for Sliding Shelf	H32A8	Upper Hinge for Middle Evaporator Compartment Door
H20A77	Spring for Door Jamb Strip	H32A9	Lower Hinge for Middle Evaporator Compartment Door
H20A78	Spring Retainer for H20A77 or H20A88 Springs	H32A10	Hinge for Upper or Lower Evaporator Compartment Door
H20A79	Support for Mullion Tube	H32A11	Pin for H32A8, H32A9 or H32A10 Hinges
H20A80	Spacer for Mullion	H32A12	Spacer between Evaporator and Trim Clip
H20A81	Washer for 58X276 Screw	H32A13	Spacer for Handle or H32A7 Spring Latch
H20A82	Clamp for Tubes	H32A16	Trim, Left-Hand (Evaporator Compartment)
H20A83	Pad for Hinges and Cabinet	H32A17	Clip (Left-Hand Trim)
H20A84	Mullion for Inner Liner	4030	Cotter Pin for Hinge Pin
H20A85	Support for H20A84 Mullion	126914	Screw for Stop and Drawer Release
H20A86	Screw for H20A84 Mullion	150279	Washer for 126914 Screw
H20A87	Spacer for Hinge and Door	153179	Fiber Washer ( $\frac{3}{4}$ " O.D.) for H20A16 Screw
H20A88	Spring for Door Strip	153923	Screw for H20A80 Spacer and Outer Case
H20A89	Screw for Hinge and Door	179789	Washer for 11X339, H20A60 Screws and for 58X286 Nut
H20A90	Frame for Large Door	278451	Screw for H5A82 Insulation
H20A91	Frame for Small Door	279364	Cap Screw Fastening Back Angle, Refrigerating Machine or H20A179 Bracket to Base
H20A92	Drain for Chiller Tray	465012	Steel Washer for H20A16 Screw
H20A94	Rubber Bumper for Evaporator Compartment Door	1X452	Nut for H20A16 Screw
H20A95	Screw Fastening Control to Escutcheon Plate	11X339	Screw for Tube Sealing Plate, Latch, Strike or H20A107 Catch
H20A96	Nut for H20A95 Screw	49X789	Light Receptacle with Leads
H20A100	Acorn Nut	54X685	Washer for 278451 Screw
H20A103	Brass Washer between Hinge and Cabinet Door	58X272	Screw for End Channel, Fastening Channel to Mullion or Inner Liner
H20A104	Rubber Spacer for Outer Door Panel and Frame (Left-Hand facing Inner Side of Panel)	58X274	Washer for 58X303 Screw
H20A105	Rubber Spacer for Outer Door Panel and Frame (Right-Hand facing Inner Side of Panel)	58X275	Screw for Front Panel
H20A106	Rubber Button for Refrigerating Machine Compartment Panel	58X276	Screw for Side Panel, Rear, or Channel Spacer
H20A107	Catch for Refrigerating Machine Compartment Panel	58X277	Screw for Top Cover
H20A108	Spacer for H12A9 Screw (0.125" thick)	58X278	Washer for 58X277 Screw
H20A109	Spacer for H12A9 Screw (0.031" thick)	58X279	Screw for Skirt
H20A111	Heater for Mullion (32 Volt)	58X280	Screw for H8A60 Panel
H20A112	Heater for Mullion (65 Volt)	58X281	Screw for Channel and Shelf Support
H20A113	Heater for Mullion (230 Volt)	58X282	Screw for Trim
H20A115	Pad for Side Panel (Front)	58X283	Screw for H32A6 Handle
H20A131	Baffle for Evaporator Compartment	58X284	Screw for H32A8, H32A9, H32A10 Hinges or for Escutcheon Plate
H20A132	Cover Strip for Inner Liner	58X285	Nut for H30A22 Pin
H20A133	Hanger for Top Shelf	58X286	Nut for H12A1 Screw
H20A140	Steel Washer for 58X287 Screw ( $\frac{3}{4}$ " O.D.)	58X287	Screw for H31A1 Panel or for Fiber Wedge
H20A179	Supporting Bracket for Refrigerating Machine Compartment Door	58X303	Screw for H20A80 Spacer and Inner Liner
H20A267	Heater for Mullion (115 Volt)	58X304	Screw for Side Panel
H23A24	Sealing Cup with Connecting Rod	63X305	Lockwasher for H17A87 Shelf
H23A35	Black Rubber Boot for Foot Pedal	64X973	Check Nut for Turnbuckle (Left-Hand Thread)
H23A37	Connection Rod between Gland and Turnbuckle	64X974	Check Nut for Turnbuckle (Right-Hand Thread)
H23A39	Turnbuckle for Connection Rod	65X631	Washer for 58X275 or 58X280 Screws
H23A44	Grey Rubber Boot for Foot Pedal	GE3014	Connector for Leads
H23A60	Strike Case with Plunger (Right-Hand Door)	NP59179B	Clip for Nameplate
H23A61	Strike Case with Plunger (Left-Hand Door)	NP60940	Escutcheon Plate for Control
H23A62	Foot Pedal Door and Drawer Opener		

Always Give Catalog Number

## K-12B—Cabinet Parts



- A1R96† Accessories
- H3A43 Inner Liner Cover (Right Hand)
- H3A85 Inner Liner with Mullion and Shelf Supports
- H3A86 Mullion for Inner Liner
- H4A25 Cabinet Cover
- H4A26 Sealing Cover
- H5A79\* Insulation between Inner Liner Cover and Sealing Cover
- H5A80 Insulation for Refrigerating Machine Compartment Door
- H5A82 Insulation between Refrigerating Machine Compartment and Storage Drawer
- H5A83 Insulation between Side Panel and Base (Front, Bottom)
- H5A84 Insulation Back of H8A60 Panel
- H5A85 Insulation Back of H8A58 Panel
- H5A161 Cabinet Insulation (Set)
- H6A159 Small Cabinet Door
- H6A158 Large Cabinet Door
- H7A63 Door Panel with Catches for Refrigerating Machine Compartment
- H7A64 Large Inner Door Panel
- H7A65 Small Inner Door Panel
- H7A162 Small Outer Door Panel
- H7A163 Large Outer Door Panel
- H8A56 Side Panel (Left Hand)
- H8A57 Side Panel (Right Hand)
- H8A58 Front Panel (Horizontal)
- H8A59 Middle Panel (Upper Front)
- H8A60 Middle Panel (Lower Front)
- H9A20 Door Jamb Corner
- H9A21 Door Corner
- H10A63 Door Jamb Strip (Vertical, Latch Side, with Filler Piece)
- H10A66 Door Jamb Strip (Horizontal, Small Door)
- H10A67 Door Jamb Strip (Horizontal, Large Door)
- H10A68 Door Strip (Vertical, Latch Side)
- H10A69 Door Strip (Vertical, Hinge Side)
- H10A70 Door Strip (Horizontal, for Large Door)
- H10A71 Door Strip (Horizontal, for Small Door)
- H10A110 Door Jamb Strip (Vertical, Hinge Side, Small Door)
- H10A111 Door Jamb Strip (Vertical, Hinge Side, Large Door)
- H11A123 Tapping Strip for H17A55 Channel
- H12A1 Screw Fastening Clip for Right-Hand Trim to Evaporator
- H12A2 Screw Fastening H17A58, H17A60, or H20A76 to Inner Liner
- H12A9 Cap Screw Fastening H31A3, H31A5, or H31A10 to Base
- H12X2 Screw Fastening H32A16 Trim to H32A17 Clip
- H13A59 Gasket for Sealing Cup
- H13A89 Set of Gaskets between Door Jamb Strips and Outer Panels
- H13A91 Gasket between Inner Liner and Support for Mullion

- H13A92 Gasket between Support and H3A86 Mullion
- H13A93 Rubber Gasket for Latch Case and Door Frame
- H13A94 Gasket for Sealing Cover
- H13A95 Rubber Gasket for Large Door
- H13A96 Rubber Gasket for Small Door
- H13A97 Gasket between Hinge and Outer Door Panel or between Spacer and Outer Door Panel
- H13A102 Gasket under Latch Handle (Small)
- H13A110 Gasket between Door Jamb Strip and Outer Panel (Hinge Side)
- H13A111 Gasket between Door Jamb Strip and Outer Panel (Latch Side)
- H13A112 Gasket between Door Jamb Strip and Outer Panel (Horizontal, Small Door)
- H13A113 Gasket between Door Jamb Strip and Outer Panel (Horizontal, Large Door)
- H13A149 Gasket under Latch Handle (Large)
- H13A161 Gasket for Inner Liner Cover and Inner Liner
- H13X4 Rubber Button for H31A1 Panel
- H14A17 Strike
- H15A26 Latch Case with Bolt, Spring, Gasket and Nut
- H15A27 Escutcheon Plate for Latch Bolt
- H15A32 Nut Fastening Latch Handle and Latch Case to Outer Door Panel
- H15A42 Scuff Plate for Latch Handle
- H15A46 Latch Handle
- H15A47 Escutcheon Plate for Latch Handle
- H16A16 Cover for Hinge
- H16A22 Hinge
- H17A53 Small Shelf (Side)
- H17A54 Channel with Catch, for Large Sliding Shelf
- H17A55 Channel for Small Side Shelf
- H17A56 Large Stationary Shelf
- H17A57 Large Sliding Shelf (First at Bottom)
- H17A58 Shelf Support (Straight)
- H17A60 Shelf Support (Headed)
- H17A120 Large Sliding Shelf (Second at Bottom)
- H18A3 Fiber Washer for H12A2 Screw
- H18A18 Washer for 279364, H12A9, or H20A15 Screws (5/8" O.D.)
- H18A19 Fiber Washer for Screw Fastening H20A107 Catch to H7A63 Panel
- H18A20 Fiber Washer for H20A16 or 58X279 Screws (1/4" O.D.)
- H18A38 Washer for 58X304 Screw
- H18A43 Washer for H20A15 Screw and Foot Pedal
- H18A54 Momentary Contact Switch (Short Leads)
- H18A95 Top Trim (Left Hand)
- H18A109 Top Trim (Right Hand)
- H18A110 Top Trim (Front)

† Refer to Accessories Section for parts included.

\* Use Kimsul, Cat. No. H5X20.

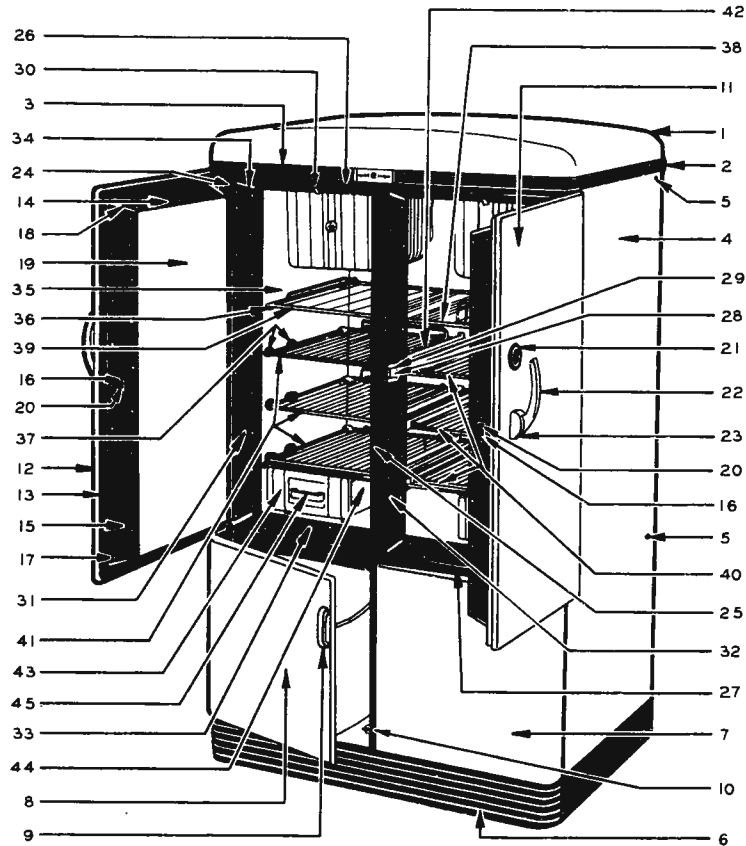
Always Give Catalog Number

## K-12B—Cabinet Parts (Continued)

H18A111	Trim between H8A58 Front Panel and H8A59 and H8A60 Middle Panels	H29A5	Channel for Refrigerating Machine and Evaporator Connection Tubing
H18A112	Trim between H8A58 Front Panel and Side Panel	H30A19	Cover for H30A20 Vegetable Pan
H19A18	Lockwasher for Momentary Contact Switch	H30A20	Vegetable Pan
H19A21	Nut Fastening Momentary Contact Switch to Door Jamb Strip	H30A21	Shelf for Lower Vegetable Pan
H20A4	Rivet Fastening H11A123 Tapping Strip to Inner Liner	H30A22	Supporting Stud for Vegetable Pan Cover
H20A6	Screw for Nameplate Clip	H31A1	Front Panel for Storage Drawer
H20A15	Cap Screw Fastening Foot Pedal, Cabinet, or H20A179 Support Bracket to Base	H31A2	Storage Drawer
H20A16	Screw Fastening Inner Liner Cover to Inner Liner	H31A3	Rod with Support for Storage Drawer Opener
H20A20	Rubber Spacer for H29A5 Channel	H31A4	Spring for Storage Drawer Opener
H20A47	Screw Fastening Hinge to Outer Case	H31A5	Rear Support for H31A3 Rod
H20A48	Screw Fastening Sealing Cup and Gasket to Bottom of Outer Case	H31A6	Spring Seat for H31A4 Spring
H20A49	Screw Fastening H20A57 Spring to Door Jamb Strip	H31A7	Stop for H31A4 Spring
H20A56	Shim between Spacer and Door Frame	H31A8	Tapping Strip for Screw Fastening H31A7 Stop to Storage Drawer
H20A57	Door Spring	H31A9	Fiber Wedge for Storage Drawer
H20A60	Screw for Sealing Cover, Trim, H29A5 Channel or H20A61 Clip	H31A10	Supports and Channels for Storage Drawer
H20A61	Spring Clip for Refrigerating Machine Compartment Panel	H31A11	Sliding Guide Channel with Rollers, (Right-Hand Side, for Storage Drawer)
H20A74	Fiber Washer for H20A86 Screw	H31A12	Sliding Guide Channel with Rollers (Left-Hand Side, for Storage Drawer)
H20A75	Rubber Washer under Scuff Plate or for H20A16 Screw	H32A1	Upper or Lower Door for Evaporator Compartment
H20A76	Support and Spacer for H17A54 Channel	H32A2	Middle Door for Evaporator Compartment
H20A77	Spring for Door Jamb Strip	H32A3	Trim (Right Hand) for Evaporator Compartment
H20A78	Spring Retainer for H20A88 or H20A77 Springs	H32A6	Handle for Evaporator Compartment Door
H20A79	Support for Mullion Tube	H32A7	Spring Latch for Evaporator Compartment Door
H20A80	Spacer for Mullion	H32A8	Hinge for Evaporator Compartment Door (Second from Top)
H20A81	Washer for 58X276 Screw	H32A9	Hinge for Evaporator Compartment Door (Second from Bottom)
H20A83	Pad for Hinge and Cabinet	H32A10	Hinge for Evaporator Compartment Door (Top or Bottom)
H20A85	Support for H3A86 Mullion	H32A11	Pin for Evaporator Compartment Door Hinge
H20A86	Screw Fastening Support to Mullion or Inner Liner	H32A12	Spacer between Clip for Right-Hand Trim and Evaporator
H20A87	Spacer between Outer Door Panel and Door Frame (Hinge Side)	H32A13	Spacer Plate for Screw Fastening Handle and Spring Latch to Evaporator Compartment Door
H20A88	Spring for Door Strip	H32A16	Trim (Left Hand) for Evaporator Compartment
H20A89	Screw Fastening Hinge to Door	H32A17	Clip for H32A16 Trim
H20A92	Drain for Chiller Tray	110774	Cotter Pin for H23A64 Pin
H20A94	Rubber Bumper for Evaporator Compartment Door	126914	Screw for Stop and Drawer Release
H20A95	Screw Fastening Control to Escutcheon Plate	150279	Washer for 126914 Screw
H20A96	Nut for H20A95 Screw	153179	Fiber Washer for H20A16 Screw (3/4" O.D.)
H20A103	Brass Washer between Hinge and Cabinet Door	153923	Screw for H20A80 and Outer Case
H20A104	Rubber Spacer for Outer Door Panel and Door Frame (Left Hand, Facing Inner Side of Panel)	153998	Screw Fastening Tube Support to Outer Case
H20A105	Rubber Spacer for Outer Door Panel and Door Frame (Right Hand, Facing Inner Side of Panel)	165736	Steel Washer under Scuff Plate
H20A106	Rubber Button for Refrigerating Machine Compartment Panel	179789	Fiber Washer for H12A1, H20A60 or 11X339 Screws
H20A107	Catch with Rivets and Filler Piece for Refrigerating Machine Compartment Panel	278451	Screw for H5A82 Insulation
H20A108	Spacer between Support for Storage Drawer and Base (0.125" thick)	279364	Cap Screw Fastening Back Cross Piece or Unit to Base
H20A109	Spacer between Support for Storage Drawer and Base (0.031" thick)	465012	Steel Washer for H20A16 Screw (3/4" O.D.)
H20A111	Heater for Mullion (32 Volt)	1440922	Spacing Washer between Skid on Back Cross Piece and Base
H20A112	Heater for Mullion (65 Volt)	1X452	Nut for H20A16 Screw
H20A113	Heater for Mullion (230 Volt)	11X339	Screw Fastening H20A107 Catch to H7A63 Panel, Latch Case to Door Strip, Strike, or Tube Sealing Plate
H20A116	Washer for 80X213 Screw	29X705	Nut for 153998 Screw
H20A131	Baffle between Top Vegetable Pan and Chiller Tray	49X648	Light Switch, Connector, and Leads
H20A140	Washer for 58X287 Screw	49X789	Light Receptacle (Long Leads)
H20A167	Ice Tray Lifter Hook	54X685	Washer for 278451 Screw
H20A179	Supporting Bracket for Refrigerating Machine Compartment Door	58X274	Washer for 58X303 Screw
H20A194	Frame for Door (Small)	58X275	Screw for Front Panel
H20A195	Frame for Door (Large)	58X276	Screw for Side Panel Rear or Channel Spacer
H20A267	Heater for Mullion (115 Volt)	58X277	Screw for Top Cover
H23A24	Sealing Cup with Connecting Rod	58X278	Washer for 58X277 Screw
H23A35	Black Rubber Boot for Foot Pedal	58X279	Screw for Skirt
H23A37	Connection Rod between Gland and Turnbuckle	58X280	Screw for H8A60 Panel
H23A39	Turnbuckle for Connection Rod	58X281	Screw Fastening H17A54 Channel to H20A76 Support
H23A44	Grey Rubber Boot for Foot Pedal	58X282	Screw Fastening Evaporator Trip in Position
H23A60	Strike Case with Plunger (Right-Hand Door)	58X283	Screw Fastening H32A6 Handle and H32A7 Latch in Position
H23A61	Strike Case with Plunger (Left-Hand Door)	58X284	Screw Fastening Hinge for Evaporator Compartment Door, or for Escutcheon Plate
H23A62	Foot Pedal Door and Drawer Opener	58X285	Nut for H30A22 Stud
H23A63	Foot Pedals with Bracket, Hinge Pin, Rods, and Shield	58X286	Nut for H12A1 Screw
H23A64	Hinge Pin for Foot Pedal	58X287	Screw Fastening Front Panel or Fiber Wedge to Storage Drawer
H23A65	Foot Pedal (Right Hand, with Rod)	58X303	Screw for H20A80 and Inner Liner
H23A66	Foot Pedal (Middle, with Rod)	58X304	Screw for Side Panel
H23A67	Foot Pedal (Left Hand, with Rod)	58X310	Lockwasher for 11X339 Strike Screw
H23A68	Spacer for Left-Hand Foot Pedal	64X973	Check Nut for Turnbuckle (Left-Hand Thread)
H23A69	Foot Pedal Shield	64X974	Check Nut for Turnbuckle (Right-Hand Thread)
H23A70	Connection Rod between Sealing Cup and Plunger Rod	65X631	Washer for 58X275 or 58X280 Screws
H23A71	Drawer Release Lever with Spring, Support, and Hinge Pin	80X213	Screw Fastening H17A55 Channel to Inner Liner and H11A123 Tapping Strip
H23A72	Stop for Right-Hand or Middle Foot Pedal	GE3014	Connector for Lead
H27A32	Base for Cabinet and Refrigerating Machine	NP60940	Escutcheon Plate for Control
H28A8	Skirt for Base (Left Hand)	NP67857B	Nameplate Clip
H28A9	Skirt for Base (Right Hand)		

Always Give Catalog Number

# PB12-38A and PB12-39B—Cabinet Parts



REF. NO.	CATALOG NUMBER		NAME OF PART
	PB12-38A	PB12-39B	
1.	H4A45	H4A56	TOP COVER FOR CABINET
	H20A297	H20A297	Rubber Corner Cushion for Cat. H4A56
	H20A261	H20A261	Clip for Top Cover, Side
	11X339	11X339	Screw for Cat. H20A261 (10-30)
	H20A272	H20A272	Spring Clamp for Clip Cat. H20A261
	H20A60	H20A60	Screw for Cat. H20A272 (No. 8)
	H20A181	H20A181	Clip for Top Cover, Back
	H20A276	H20A276	Spacer for Cat. H20A181
	58X337	58X337	Screw for Cat. H20A181 (No. 8)
2.	H18A137	H18A137	Trim for Top Cover, Right Side
3.	H18A138	H18A138	Trim for Top Cover, Left Side
	H20A60	H20A60	Screw for Cat. H18A137 or H18A138 (No. 8)
	H2A85	H2A85	OUTER CASE
4.	H8A83	H8A83	Panel, Side, Right
	H8A84	H8A84	Panel, Side, Left
5.	H20A49	H20A49	Screw for Cat. H8A83 or H8A84 (No. 8)
	H18A38	H18A38	Washer for Cat. H20A49
	H29A5	H29A5	Channel for Refrigerant Line
	H20A60	H20A60	Screw for Cat. H29A5 (No. 8)
	179789	179789	Washer for Cat. H20A60
	H20A20	H20A20	Rubber Spacer for Cat. H29A5
	58X276	58X276	Screw for Cat. H20A20 (No. 8)
	179789	179789	Washer for Cat. 58X276
	H27A69	H27A69	BASE
	H20A259	H20A259	Support for Refrigerating Machine
	279364	279364	Screw Fastening Cat. H20A259 to Base (5/16"-18)
	177811	177811	Nut for Cat. 279364
	H18A18	H18A18	Washer for Cat. 279364
	61X328	61X328	Lockwasher for Cat. 279364
	H31A32	H31A32	Roller and Bracket for Storage Bin
	11X339	11X339	Screw for Cat. H31A32 (10-30)
	58X310	58X310	Lockwasher for Cat. 11X339
	H20A260	H20A260	Catch for Storage Bin
	46X784	46X784	Screw Fastening Cat. H20A260 to Base (1/4 in.-20)
	61X327	61X327	Lockwasher for Cat. 46X784
	279364	279364	Cap Screw Fastening Outer Case to Base (5/16"-18)
	61X328	61X328	Lockwasher for Cat. 279364
	261646	261646	Cap Screw Fastening Refrigerating Machine to Base (5/16 in.-18)
	177811	177811	Nut for Cat. 261646
	H18A22	H18A22	Washer for Cat. 261646
	61X328	61X328	Lockwasher for Cat. 261646
	A2R12	A2R12	Slider for Cabinet
	64X77	46X794	Cap Screw for Cat. A2R12 (1/4 in.-20)
6.	H27A70	H27A70	Grille for Base
7.	-	H7A252	PANEL FOR REFRIGERATING MACHINE COMPARTMENT DOOR

REF. NO.	CATALOG NUMBER		NAME OF PART
	PB12-38A	PB12-39B	
7.	H6A194	-	Refrigerating Machine Compartment Door with Catch, Bumper and Insulation
	H20A262	H20A262	Supporting Plate for Hinges for H7A252 or H6A194
	11X339	11X339	Screw for Cat. H20A262 (10-30)
	58X310	58X310	Lockwasher for Cat. 11X339
	H20A264	H20A264	Spring Catch for Cat. H7A252 or H6A194
	H20A321	H20A321	Hasp for Cat. H7A252 or H6A194
	11X339	11X339	Screw for Cat. H20A264 and H20A321 (10-30)
	58X310	58X310	Lockwasher for Cat. 11X339
	11X339	11X339	Screw Fastening Cat. H20A321 to Mullion (10-30)
	H18A3	H18A3	Washer for Cat. 11X339
	-	H20A366	Handle for Cat. H7A252
	-	H20A138	Washer Between Handle and Door
	-	105113	Screw for Cat. H20A366 (10-32)
	-	54X441	Lockwasher for Cat. 105113
	H20A263	H20A263	Rubber Button Bumper for Cat. H7A252 or H6A194
	H20A75	H20A75	Washer for Cat. H20A263
	H16A47	H16A47	Hinge for Cat. H7A252, or H6A194
	H16A48	H16A48	Spacing Rod for Hinge
	11X339	11X339	Screw for Hinge (10-30)
8.	H31A41	H7A253	STORAGE BIN DOOR PANEL
	H31A34	H31A34	Storage Bin
	H12X2	H12X2	Screw Fastening Storage Bin to Door Panel (10-30)
	H20A116	H20A116	Washer for Cat. H12X2
9.	H31A15	H20A366	Handle for Storage Bin Door
	-	H20A138	Washer Between Handle and Door
	126914	105113	Screw Fastening Handle to Storage Bin Door
	54X441	54X441	Lockwasher for Cat. 105113 or 126914
10.	H20A263	H20A263	Rubber Button Bumper for Storage Bin Door
	H31A32	H31A32	Roller and Bracket for Storage Bin
	H20A628	H20A628	Roller Only
	11X339	11X339	Screw for Cat. H31A32 (10-30)
	H20A116	H20A116	Washer for Cat. 11X339
	H16A47	H16A47	Hinge for Storage Bin Door
	H16A48	H16A48	Spacing Rod for Hinge
	-	11X339	Screw for Hinge (10-30)
11.	H6A191	-	DOOR COMPLETE (RIGHT-HAND)
12.	H6A192	-	DOOR COMPLETE (LEFT-HAND)
13.	H7A182	H7A255	Outer Door Panel (Right-Hand Door)
14.	H7A183	H7A256	Outer Door Panel (Left-Hand Door)
15.	H13A184	H13A184	Door Gasket
16.	H10A127	H10A127	Door Strip, Top or Bottom
17.	H10A128	H10A128	Door Strip, Hinge Side
18.	H10A126	H10A126	Door Strip, Latch Side with Escutcheon for Latch Bolt
19.	H15A41	H15A41	Escutcheon for Latch Bolt
20.	H12X2	H12X2	Screw for Door Strip (10-30)
21.	H9A33	H9A33	Door Corner

Always Give Catalog Number

# PB12-38A and PB12-39B—Cabinet Parts (Continued)

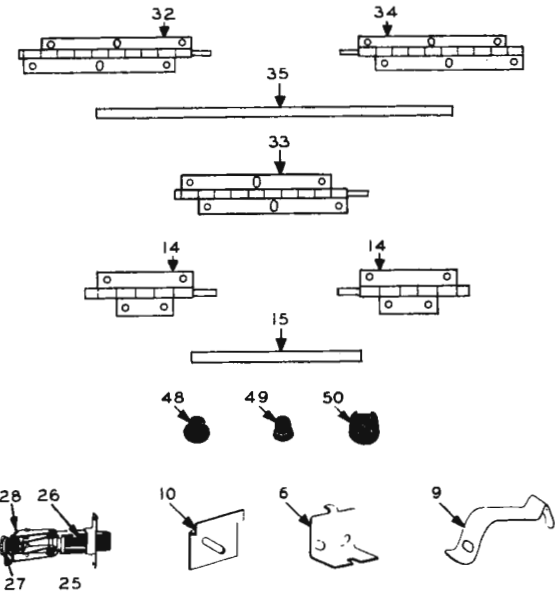
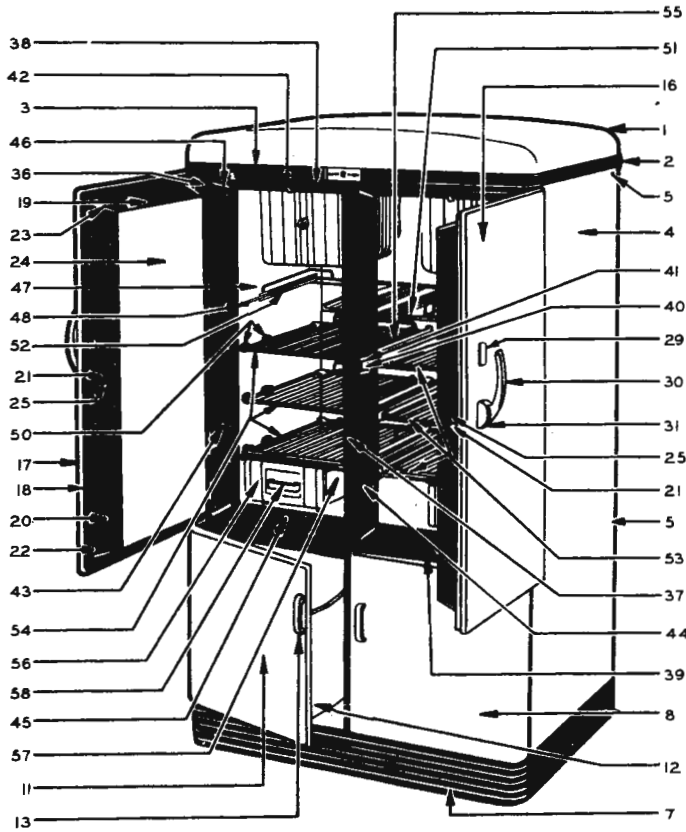
REF. NO.	CATALOG NUMBER		NAME OF PART	REF. NO.	CATALOG NUMBER		NAME OF PART	
	PB12-38A	PB12-39B			PB12-38A	PB12-39B		
19.	H7A151	H7A254	Inner Door Panel (Right-Hand Door)	H17A110	H17A110	Washer for Single Slot Shelf Support		
	H7A181	H7A181	Inner Door Panel (Left-Hand Door)	H20A258	H20A258	Double Clip for Supporting Rod for Vegetable Drawer Cover		
20.	H15A61	H15A72	Latch with Gasket and Nut (with Lockwasher for PB12-38A only)	H12A2	H12A2	Screw for Cat. H20A258		
	H15A44	H15A44	Spring for Latch	H17A122	H17A85	Shelf Support Used as a thumb nut for Cat. H12A2		
	H15A45	H15A45	Nut for Latch and Handle	H17A166	H17A166	Washer for Cat. H12A2		
	H13A148	H13A148	Gasket Between Latch and Outer Door Panel	H17A46	H17A48	Rubber Thimble for Supporting Rod for Vegetable Drawer Cover		
	H20A117	-	Lockwasher for Cat. H15A45	H12X2	H20A86	Screw Fastening Inner Liner Cover to Inner Liner (10-30)		
	H1X339	H1X339	Screw Fastening Latch to Door Strip (10-30)	H20A74	H20A74	Washer (Fiber) for Cat. H12X2 or H20A86		
21.	H15A42	H15A67	Scuff Plate and Clip for Latch Handle	H13A185	H13A185	Gasket for Inner Liner Cover		
	H20A251	-	Rubber Washer Between Scuff Plate Clip and Door	*H20A282	H20A282	Bracket for Ice Tray Separator Release		
	58X326	-	Nut for Scuff Plate Clip	*H20A256	-	Bracket for Ice Tray Separator Release (Early Production Cabinets)		
	58X325	-	Lockwasher for 58X326 Nut	H20A60	H20A60	Screw for Cat. H20A282 (No. 8)		
	-	H20A6	Screw for Cat. H15A67 (4-48)	H17A168	H17A168	Shelf, Top, Right-Hand		
	-	H20A6	Screw for Thermometer Clip (4-48)	H17A167	H17A218	Shelf, Top, Left-Hand		
	-	165736	Washer for Screw Cat. H1X339 Fastening Latch to Door Strip	-	H17A219	Trim for Cat. H17A218 Shelf Slide		
22.	H15A46	H15A68	Latch Handle without Escutcheon	40.	H17A169	H17A169	Sliding Shelf with Stops, Right-Hand	
23.	H15A47	H15A69	Escutcheon for Latch Handle	41.	H17A170	H17A170	Sliding Shelf with Stops, Left-Hand	
	H13A149	H13A195	Gasket Between Latch and Outer Door Panel	42.	H17A105	H17A105	Stop for Shelf	
	-	58X276	Screw Fastening Latch Handle to Outer Door Panel (No. 8)	43.	H17A171	H17A171	Shelf, Center	
	H16A45	H16A45	Upper Hinge for Right-Hand Door or Lower Hinge for Left-Hand Door	H20A248	H20A248	Bumper for Shelf		
	H15A44	H16A44	Upper Hinge for Left-Hand Door, or Lower Hinge for Right-Hand Door	43.	H30A57	H30A57	VEGETABLE DRAWER	
	H16A46	H16A46	Spacer Rod for Hinge	44.	H30A58	H30A58	Pan for Vegetable Drawer	
	H1X339	H1X339	Screw for Hinge (10-30)	43.	H30A40	H30A40	Front Panel for Vegetable Drawer	
24.	H18A139	H18A139	Trim, Front, Left Side	45.	H30A34	H30A34	Handle for Vegetable Drawer	
	H18A140	H18A140	Trim, Front, Right Side	58X350	58X350	Screw Fastening Cat. H30A34 and H30A40 to Cat. H30A58 (10-32)		
25.	H18A141	H18A141	Trim, Front, Mullion	179789	179789	Fiber Washer for Cat. 58X350 (13/32 in. O.D.)		
26.	H18A142	H18A142	Trim, Front, Top Cross Piece	H20A250	H20A250	Washer Between H30A40 and H30A58 (1 in. O.D.)		
27.	H18A143	H18A143	Trim, Front, Bottom Cross Piece	H30A59	H30A59	Cover for Vegetable Drawer		
	H1X339	H1X339	Screw for Trim (10-30)	H20A277	H20A277	Right-Hand Support for Cat. H30A59		
	H10A129	H10A129	Strip, Outer Case, Top	H20A278	H20A278	Left-Hand Support for Cat. H30A59		
	H20A86	H20A86	Screw for Cat. H10A129 (10-30)	H20A274	H20A274	Rubber Stop for Cat. H20A277 or H20A278		
28.	H14A19	H14A19	Strike for Latch Bolt	H20A275	H20A275	Rubber Rest for Cat. H20A277 or H20A278		
29.	H14A20	H14A20	Strike Case	H20A269	H20A269	Slide for Vegetable Drawer		
	H1X339	H1X339	Screw for Strike (10-30)	78X81	78X435	Lamp Receptacle		
	58X310	58X310	Lockwasher for Cat. H1X339	H15A27	-	Screw for Cat. 78X435 (No. 8)		
30.	1G2A1H3	1G2A1H3	Door Switch with 8 inch Leads	H19A26	H19A25	Bushing for Lamp Receptacle		
	H13A181	H13A181	Gasket for Cat. 1G2A1H3	-	H20A49	Lamp Guard		
	H12X2	H12X2	Screw for Cat. 1G2A1H3 (10-30)	GE3014	GE3014	Screw for Cat. H19A29 (No. 8)		
31.	H10A130	H10A130	Door Jamb Strip, Hinge Side	H20A265	H20A265	Connector for Leads		
32.	H10A131	H10A131	Door Jamb Strip, Latch Side	H20A266	H20A266	Heater for Mullion (32 volts)		
33.	H10A132	H10A132	Door Jamb Strip, Bottom	H20A267	H20A267	Heater for Mullion (65 volts)		
	H10A133	H10A133	Door Jamb Strip, Top	H20A268	H20A268	Heater for Mullion (115 volts)		
	H12X2	H12X2	Screw for Door Jamb Strip (10-30)	H20A268	H20A268	Heater for Mullion (230 volts)		
34.	H9A34	H9A34	Door Jamb Corner	H20A271	H20A271	Clip for Mullion Heater		
	H4A46	H4A46	Sealing Cover for Cabinet	134968	134968	Screw for Cat. H20A271 (8-32)		
	H20A86	H20A86	Screw for Cat. H4A46 (10-30)	H5A200	H5A200	Cabinet Insulation (set)		
	H20A74	-	Fiber Washer for Cat. H20A86	H22A34	H22A34	Insulation for Door		
	H13A186	H13A186	Gasket for Cat. H4A46	H5A201	H5A201	Insulation Between Refrigerating Machine Compartment and Storage Bin Compartment		
	H20A270	H20A270	Clip for Cat. H4A46	H5A202	H5A202	Insulation Between Inner Liner Cover and Sealing Cover		
	58X276	58X276	Screw for Cat. H20A270 (No. 8)	H5A203	H5A203	Insulation Filler Above Door Jamb Strip		
35.	H3A102	H3A121	INNER LINER WITH SHELF SUPPORTS AND TAPPING STRIPS	H5A204	H5A204	Sound Insulation for Storage Bin Door		
36.	H17A90	H17A90	Shelf Support, Headed (1/2 in. long)	H5A204	H22A36	Sound Insulation for Refrigerating Machine Compartment Door		
	-	H18A3	Washer for H17A90, left front only	H5A205	-	Board Insulation for Refrigerating Machine Compartment Door		
	-	H17A89	Shelf Support, Straight (1/2 in. long)	200104	-	Screw Fastening H5A205 to H20A262		
	H17A122	-	Shelf Support, Straight (3/4 in. long)	H20A273	-	Nut for Cat. 200104 Screw		
	H12A2	H12A2	Screw for Cat. H17A89, H17A90 or H17A122 (11/4"-20)	-	H1X339	Screw for Cat. H22A36 (10-30)		
	H17A166	H17A166	Washer for H17A89, H17A90 or H17A122	136979	136575	Screw for Insulation Cat. H5A201 (10-24)		
37.	H17A91	H17A91	Shelf Support, Single Slot (11/16 in. high)	H20A273	H20A273	Speed Nut for Cat. 136979		
37.	H17A92	H17A92	Shelf Support, Single Slot (3/4 in. high)	A1R116	A1R152	*Accessories		
37.	H17A93	H17A93	Shelf Support, Single Slot (13/16 in. high)					
37.	H17A94	H17A94	Shelf Support, Single Slot (7/8 in. high)					
	H20A159	H20A159	Screw for Single Slot Shelf Support (10-30)					
	58X324	58X324	Lockwasher for Cat. H20A159					

\*Cat. H20A282 is fastened to the liner with a screw while H20A256 is clamped between the liner and liner cover. These parts are not interchangeable.  
 \*\*Refer to the Accessories Section for Parts included.

Always Give Catalog Number

# PB12-39A, PB12-39C—Cabinet Parts

FOR REFRIGERATING MACHINE PARTS REFER TO CE-34B OR C MACHINE (FOR PB12-39A)  
AND CE-34C MACHINE (FOR PB12-39C)



REF. NO.	CAT. NO.	NAME OF PART
1.	H4A58	TOP COVER FOR CABINET
	H13A218	Gasket for Top Cover, Front and Sides
	H13A219	Gasket for Top Cover, Back
	H20A367	Clip for Top Cover, Front
	I45995	Screw for Cat. H20A367 (10-32)
	H20A368	Bracket for Top Cover, Front
	H20A60	Screw for Cat. H20A368 (No. 8)
	H20A369	Bracket for Outer Case, Back
	H20A60	Screw for Cat. H20A369 (No. 8)
	20X527	Screw fastening Cat. H20A368 to Cat. H20A369 (1/4 in.-20)
	I2X540	Nut for Cat. 20X527
	I43974	Washer for Cat. 20X527
2.	H18A159	Trim for Top Cover, Right Side
3.	H18A160	Trim for Top Cover, Left Side
	58X287	Screw for Cat. H18A159 or H18A160 (No. 8)
	H2A105	OUTER CASE
4.	H8A87	Panel, Side, Right
	H8A88	Panel, Side, Left
5.	H20A49	Screw for Cat. H8A87 or H8A88, Top or Side (No. 8)
	91X299	Screw for Cat. H8A87 or H8A88, Bottom (No. 8)
	H18A38	Washer for Cat. H20A49 or Cat. 91X299
	H20A372	Nut for Cat. 91X299
	I36979	Screw for Refrigerant Line Sealing Plate (10-24)
	H13A220	Gasket for Refrigerant Line Sealing Plate
	H20A370	Support for Refrigerant Line Sealing Plate
	H20A60	Screw for Cat. H20A370 (No. 8)
	H20A371	Clamp for Refrigerant Line, Upper
	H20A243	Rubber Spacer for Cat. H20A371
	H20A62	Screw for Cat. H20A243 (No. 8)
	80X132	Washer for Cat. H20A62
	H20A202	Clamp for Refrigerant Line, Lower
	H20A60	Screw for Cat. H20A202 (No. 8)
	H27A100	BASE
	H20A374	Partition between Storage Bin and Refrigerating Machine Compartments
	H20A263	Rubber Button Bumper
	H20A75	Washer for Cat. H20A263
	H22A43	Sound Insulation for Cat. H20A374
	I26915	Screw for Cat. H20A374 (8-32)
	H20A375	Speed Nut for Cat. I26915
	H31A32	Roller and Bracket for Storage Bin
	I1X339	Screw for Cat. H31A32 (10-30)
	I65736	Washer for Cat. I1X339
6.	H20A239	Catch for Spring Clip Cat. H20A241
	H20A60	Screw for Cat. H20A239 (No. 8)

\* Not used with CE-34C Machine.  
† Later Production Cabinets used Cat. 105113 Screw (10-32) with Cat. 200384 Nut.

REF. NO.	CAT. NO.	NAME OF PART
	H20A376	Baffle for Refrigerating Compartment
	H20A60	Screw for Cat. H20A376 (No. 8)
	279364	Cap Screw fastening Outer Case to Base (5/16 in.-18)
	61X328	Lockwasher for Cat. 279364
	261646	Cap Screw fastening Refrigerating Machine to Base (5/16"-18)
	I77811	Nut for Cat. 261646
	H18A22	Washer for Cat. 261646
7.	H27A101	Grille for Base
	H20A377	Spring Clip for Grille
	221423	Rivet for Cat. H20A377
8.	H7A262	PANEL FOR REFRIGERATING MACHINE COMPARTMENT DOOR
	H22A42	Sound Insulation for Cat. H7A262
	H20A366	Handle for Cat. H7A262
	H20A138	Washer between Handle and Door
	I05113	Screw for Cat. H20A366 (10-32)
	54X441	Lockwasher for Cat. I05113
9.	H20A241	Spring Clip for Cat. H7A262
	H20A174	Screw for Cat. H20A241 (10-30)
	I65736	Washer for Cat. H20A174
	H20A263	Rubber Button Bumper for Cat. H7A262
	H20A75	Washer for Cat. H20A263
10.	H20A181	Support for Cat. H7A262
	H20A49	Screw for Cat. H20A181 (No. 8)
	H20A49	Washer for Cat. H20A49
	H18A161	Trim and Clips for Cat. H7A262
	H20A358	Clip for Cat. H18A161
11.	H7A263	STORAGE BIN DOOR PANEL
	H22A42	Sound Insulation for Cat. H7A263
12.	H31A42	Storage Bin
	H20A60	Screw fastening Storage Bin to Cat. H7A263 (No. 8)
	I65736	Washer for Cat. H20A60
	H20A366	Handle for Cat. H7A263
	H20A138	Washer between Handle and Door
	I05113	Screw for Cat. H20A366 (10-32)
	54X441	Lockwasher for Cat. I05113
	H20A378	Catch for Storage Bin
	H12X2	Screw for Cat. H20A378 (10-30)
	H20A138	Washer for Cat. H12X2
	46X808	Stop for Storage Bin (1/4 in.-20)
	I2X540	Nut for Cat. 46X808
	61X327	Lockwasher for Cat. 46X808
	H31A32	Roller and Bracket for Storage Bin
	I26A628	Roller Only
	H18A162	Trim and Clips for Cat. H7A263
	H20A358	Clip for Cat. H18A162
14.	H16A47	Hinge for Storage Bin Door
15.	H16A48	Spacing Rod for Hinge



## PB12-39A, PB12-39C—Cabinet Parts (Cont.)

REF. NO.	CAT. NO.	NAME OF PART
16.	I1X339	Screw for Hinge (10-30)
17.	-	RIGHT-HAND DOOR
17.	-	LEFT-HAND DOOR
16.	H7A255	Outer Door Panel (Right-Hand Door)
17.	H7A256	Outer Door Panel (Left-Hand Door)
18.	H13A184	Door Gasket
19.	H10A127	Door Strip, Top or Bottom
20.	H10A128	Door Strip, Hinge Side
21.	H10A126	Door Strip, Latch Side with Escutcheon for Latch Bolt
22.	H15A41	Escutcheon for Latch Bolt
22.	H12X2	Screw for Door Strip (10-30)
23.	H9A33	Door Corner
24.	H7A254	Innar Door Panel (Right-Hand Door)
24.	H7A181	Innar Door Panel (Left-Hand Door)
25.	H15A72	Latch with Gasket and Nut
26.	H15A44	Spring for Latch
27.	H15A45	Nut for Latch and Handle
28.	H13A148	Gasket between Latch and Outer Door Panel
28.	I1X339	Screw Fastening Latch to Door Strip (10-30)
29.	H15A67	Scuff Plate for Latch Handle
29.	H20A6	Screw for Cat. H15A67 (4-48)
29.	H65736	Washer for Screw Cat. I1X339 fastening Latch to Door Strip
30.	H20A6	Screw for Thermometer Clip (4-48)
30.	H15A68	Latch Handle without Escutcheon
31.	H15A69	Escutcheon for Latch Handle
31.	H13A195	Gasket between Latch Handle and Outer Door Panel
32.	H16A45	Upper Hinge for Right-Hand or Lower Hinge for Left-Hand Door
33.	H16A44	Upper Hinge for Left-Hand Door
34.	H16A60	Lower Hinge for Right-Hand Door
35.	H16A46	Spacer Rod for Hinge
35.	I1X339	Screw for Hinge (10-30)
36.	H18A163	Trim, Front, Left Side
36.	H18A164	Trim, Front, Right Side
37.	H18A165	Trim, Front, Mullion
38.	H18A166	Trim, Front, Top cross Piece, Right or Left Side
39.	H18A167	Trim, Front, Bottom cross Piece, Refrigerating Compartment Side
	H18A168	Trim, Front, Bottom cross Piece, Storage Bin Side
	I1X339	Screw for Trim (10-30)
	H20A138	Washer for Cat. I1X339
	H10A145	Strip for Top of Outer Case
	H20A86	Screw for Cat. H10A145 (10-30)
	H20A138	Washer for Cat. H20A86
40.	H14A19	Strike for Latch Bolt
41.	H14A20	Strike Case
	I1X339	Screw for Strike (10-30)
	58X310	Lockwasher for Cat. I1X339
42.	1GA21H3	Door Switch with 8 inch Leads
	H13A181	Gasket for Cat. 1GA21H3
	H12X2	Screw for Cat. 1GA21H3 (10-30)
43.	H10A130	Door Jamb Strip, Hinge Side
44.	H10A131	Door Jamb Strip, Latch Side
45.	H10A132	Door Jamb Strip, Bottom
	H10A133	Door Jamb Strip, Top
	H12X2	Screw for Door Jamb Strip (10-30)
46.	H9A34	Door Jamb Corner

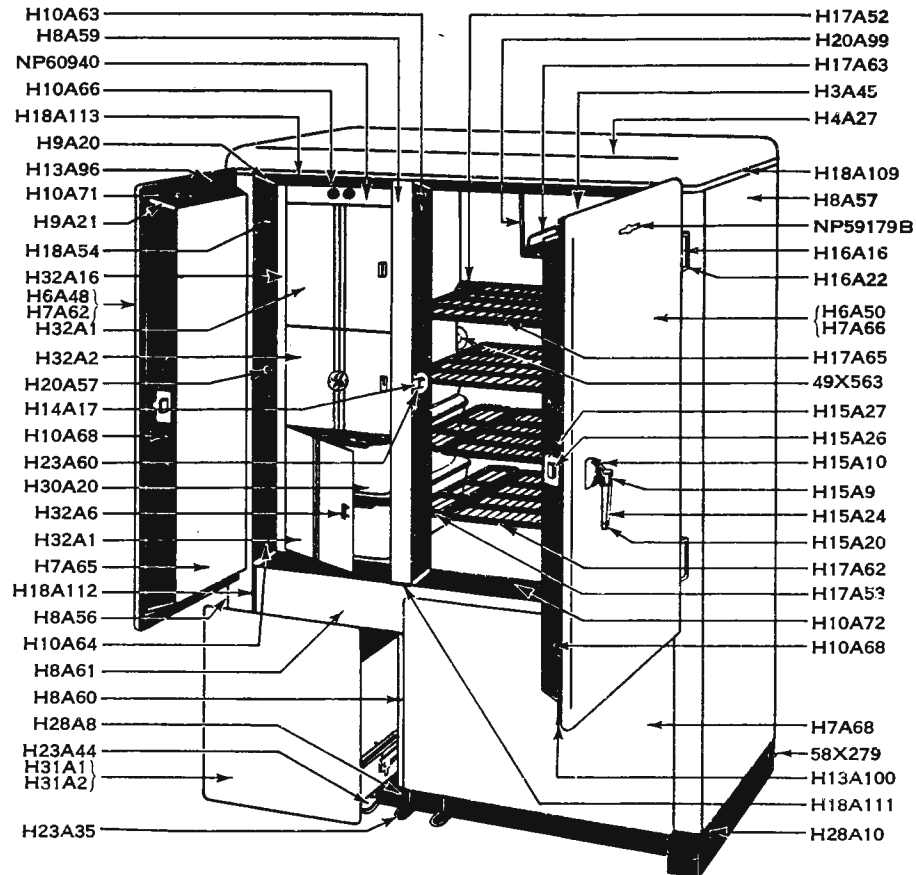
REF. NO.	CAT. NO.	NAME OF PART
47	H3A121	INNER LINER WITH SHELF SUPPORTS
48	H17A90	Shelf Support, Headed (1/2 in. long)
	H18A3	Washer for Cat. H17A90, Left Front Only
49	H17A89	Shelf Support, Straight (1/2 in. long)
	H12A2	Screw for Cat. H17A89 or H17A90 (1/4 in.-20)
	H17A166	Washer for Cat. H12A2
50	H17A92	Shelf Support, Single Slot (3/4 in. high)
	H20A159	Screw for Single Slot Shelf Support (10-30)
	58X324	Lockwasher for Single Slot Shelf Support
	H17A110	Washer for Single Slot Shelf Support
	H20A258	Double Clip for Supporting Rod for Vegetable Drawer Cover
	H12A2	Screw for Cat. H20A258 (1/4 in.-20)
	H17A89	Thumb Nut for Cat. H12A2
	H17A166	Washer for Cat. H12A2
	H17A48	Rubber Thimble for Supporting Rod for Vegetable Drawer Cover
	H20A86	Screw fastening Inner Liner Cover to Inner Liner (10-30)
	H20A74	Washer (Fiber) for Cat. H20A86
	H20A75	Washer (Rubber) for Cat. H20A86
	H20A282	Bracket for Ice Tray Separator Release
	H20A60	Screw for Cat. H20A282 (No. 8)
51	H17A168	Shelf, Top, Right-Hand (PB12-39A)
52	H17A218	Shelf, Top, Left-Hand (PB12-39A)
	H17A305	Shelf, Top, Right-Hand (PB12-39C)
	H17A303	Shelf, Top, Left-Hand (PB12-39C)
	H17A219	Trim for Cat. H17A218 or H17A303 Shelf
53	H17A169	Sliding Shelf with Stops, Right-Hand
54	H17A170	Sliding Shelf with Stops, Left-Hand
	H17A105	Stop for Shelf
55	H17A171	Shelf, Center
	H20A248	Bumper for Shelf
56	H30A57	VEGETABLE DRAWER
	H30A58	Pan for Vegetable Drawer
	H30A40	Front Panel for Vegetable Drawer
	H30A34	Handle for Vegetable Drawer
56	58X350	Screw fastening Cat. H30A34 and H30A40 to H30A58 (10-32)
58	I79789	Fiber Washer for Cat. 58X350 (13/32 in. O.D.)
	H20A250	Washer between Cat. H30A40 and H30A58 (1 in. O.D.)
	H30A59	Cover for Vegetable Drawer
	H20A277	Right-Hand Support for Cat. H30A59
	H20A278	Left-Hand Support for Cat. H30A59
	H20A274	Rubber Stop for Cat. H20A277 or H20A278
	H20A275	Rubber Rest for Cat. H20A277 or H20A278
	H20A269	Slide for Vegetable Drawer
	78X435	Lamp Receptacle
	H20A60	Screw for Cat. 78X435 (No. 8)
	H19A29	Lamp Guard
	H20A49	Screw for Cat. H19A29 (No. 8)
	GE3014	Connector for Leads
	H20A265	Heater for Mullion (32 volts)
	H20A266	Heater for Mullion (65 volts)
	H20A267	Heater for Mullion (115 volts)
	H20A268	Heater for Mullion (230 volts)
	H20A379	Clip for Mullion Heater
	H5X20	Cabinet Insulation (Kimsul, 18' roll)
	*AIR152	Accessories

\* Later Production Cabinets used Cat. 105136 Screw (10-32) with Cat. 200384 Nut and Cat. H20A380 Washer.

† A Right-hand top shelf with provision for a Cold Storage Tray is available. It is covered by Cat. No. H17A230 for PB12-39A and Cat. No. H17A304 for PB12-39C.

\* Refer to the Accessories Section for Parts Included.

## KF-15A, †KF-15B—Cabinet Parts



- |        |   |                  |  |
|--------|---|------------------|--|
| A1R52† | Accessories   | H10A72           | Door Jamb Strip (Horizontal, Large Door)   |
| C20A81 | Screw fastening Evaporator to Inner Liner Cover                         | H10A73           | Door Strip (Horizontal, Large Door)  |
| C20A82 | Rubber Washer between Inner Liner Cover and Washer                      | H12A1            | Screw for Evaporator and Trim  |
| C20A83 | Washer for C20A81 Screw   | H12A2            | Screw for H20A76 Support, Hanger or Shelf Support                                |
| H3A41  | Inner Liner Cover (Left Hand)   | H12A9            | Cap Screw for Storage Drawer Frame   |
| H3A42  | Inner Liner Cover (Middle)  | H12X2            | Screw fastening Left-Hand Trim to Clip   |
| H3A44  | Inner Liner Cover (Right Hand)  | H13A59           | Gasket for Sealing Cup   |
| H3A45  | Inner Liner   | H13A91           | Gasket between Mullion and Inner Liner   |
| H4A27  | Top Cover for Cabinet   | H13A92           | Gasket between Support and Mullion   |
| H4A28  | Sealing Cover   | H13A93           | Rubber Gasket for Latch and Door Frame   |
| H5A82  | Insulation between Refrigerating Machine Compartment and Storage Drawer | H13A96           | Rubber Gasket for Small Door   |
| H5A83  | Insulation between Side Panel and Base (Front, Bottom)                  | H13A97           | Gasket between Hinge and Outer Door Panel or between Spacer and Outer Door Panel |
| H5A84  | Insulation back of H8A60 Panel  | H13A98           | Set of Gaskets between Door Jamb Strips and Outer Panels                         |
| H5A86  | Cabinet Insulation (Set)  | H13A99           | Gasket for Inner Liner Cover and Inner Liner                                     |
| H5A87  | Insulation between Inner Liner Cover and Cabinet Cover                  | H13A100          | Rubber Gasket for Large Door   |
| H5A88  | Insulation for Refrigerating Machine Compartment Door                   | H13A101          | Large Gasket between Latch Handle Escutcheon Plate and Outer Door Panel          |
| H5A89  | Insulation for Refrigerating Machine Compartment (Bottom)               | H13A102          | Small Gasket between Latch Handle Escutcheon Plate and Outer Door Panel          |
| H5A90* | Insulation back of H8A61 Panel  | H13A103          | Gasket for Sealing Cover   |
| H5A91  | Insulation between Inner Liner and Outer Case                           | H13A110          | Gasket between Door Jamb Strip and Outer Panel (Hinge Side)                      |
| H6A48  | Small Cabinet Door  | H13A111          | Gasket between Door Jamb Strip and Outer Panel (Latch Side)                      |
| H6A50  | Large Cabinet Door  | H13A112          | Gasket between Door Jamb Strip and Outer Panel (Horizontal, Small Door)          |
| H7A62  | Small Outer Door Panel  | H13A114          | Gasket between Door Jamb Strip and Outer Panel (Horizontal, Large Door)          |
| H7A65  | Small Inner Door Panel  | H13X4            | Rubber Button for H31A1 Front Panel  |
| H7A66  | Large Outer Door Panel  | H14A17           | Strike   |
| H7A67  | Large Inner Door Panel  | H15A9            | Latch Handle   |
| H7A68  | Door Panel with Catches for Refrigerating Machine Compartment           | H15A10           | Escutcheon Plate for Latch Handle  |
| H8A56  | Side Panel (Left Hand)  | H15A20           | Thimble for Latch Handle   |
| H8A57  | Side Panel (Right Hand)   | H15A24           | Handle Grip  |
| H8A59  | Middle Panel (Upper Front)  | H15A26           | Latch Case with Bolt, Spring, Gasket and Nut                                     |
| H8A60  | Middle Panel (Lower Front)  | H15A27           | Escutcheon Plate for Latch Bolt  |
| H8A61  | Front Panel (Horizontal)  | H15A32           | Nut Fastening Handle to Latch  |
| H9A20  | Door Jamb Corner  | H15A44           | Spring for Latch Case  |
| H9A21  | Door Corner   | H16A16           | Cover for Hinge  |
| H10A63 | Door Jamb Strip with Filler Piece (Vertical, Latch Side)                | H16A22           | Hinge (Less Cover)   |
| H10A64 | Door Jamb Strip (Vertical, Hinge Side, Small Door)                      | H17A52           | Shelf back of Evaporator Unit  |
| H10A65 | Door Jamb Strip (Vertical, Hinge Side, Large Door)                      | H17A53           | Shelf (Small, Side)  |
| H10A66 | Door Jamb Strip (Horizontal, Small Door)                                | H17A54           | Channel with Catch for H17A62 Shelf  |
| H10A68 | Door Strip (Vertical, Latch Side)                                       |                  |  |
| H10A69 | Door Strip (Vertical, Hinge Side)                                       |                  |  |
| H10A71 | Door Strip (Horizontal, Small Door)                                     |                  |  |
|        |   | H17A52           |  |
|        |   | H20A99           |  |
|        |   | H17A63           |  |
|        |   | H3A45            |  |
|        |   | H4A27            |  |
|        |   | H18A109          |  |
|        |   | H8A57            |  |
|        |   | NP59179B         |  |
|        |   | H16A16           |  |
|        |   | H16A22           |  |
|        |   | (H6A50<br>H7A66) |  |
|        |   | H17A65           |  |
|        |   | 49X563           |  |
|        |   | H15A27           |  |
|        |   | H15A26           |  |
|        |   | H15A10           |  |
|        |   | H15A9            |  |
|        |   | H15A24           |  |
|        |   | H15A20           |  |
|        |   | H17A62           |  |
|        |   | H17A59           |  |
|        |   | H10A72           |  |
|        |   | H10A68           |  |
|        |   | H7A68            |  |
|        |   | 58X279           |  |
|        |   | H13A100          |  |
|        |   | H18A111          |  |
|        |   | H28A10           |  |

† Refer to Accessories Section for parts included.  
\* Use Kimsul, Cat No. H5X20.

Always Give Catalog Number

## KF-15A, †KF-15B—Cabinet Parts (Continued)

H17A55	Channel for H17A53 Shelf	H23A65	Foot Pedal (Right Hand, with Rod)
H17A58	Shelf Support, Straight (Stationary Shelf)	H23A66	Foot Pedal (Middle, with Rod)
H17A60	Shelf Support (Headed)	H23A67	Foot Pedal (Left Hand, with Rod)
H17A62	Large Sliding Shelf	H23A68	Spacer (Left-Hand Foot Pedal)
H17A63	Top Shelf	H23A69	Foot Pedal Shield
H17A65	Large Stationary Shelf	H23A70	Connection Rod between Sealing Cup and Plunger Rod
H18A3	Fiber Washer for H12A2 or H20A16 Screws (1/2" O.D.)	H23A71	Drawer Release Lever with Spring, Support and Hinge Pin
H18A18	Washer for H20A15 or H12A9 Screws (3/8" O.D.)	H23A72	Stop (Right-Hand, or Middle Foot Pedal)
H18A19*	Washer for 11X339 Screw	H27A12	Base for Cabinet and Refrigerating Machine
H18A20	Fiber Washer (21/32" O.D.) for H20A16 or 58X279 Screws	H28A8	Skirt for Base (Left Hand)
H18A22	Washer for 126869 Nut	H28A10	Skirt for Base (Right Hand)
H18A38	Washer for 58X304 Screw	H29A5	Channel for Refrigerating Machine and Evaporator Connection Tubing
H18A43	Washer for H20A15 Screw and Foot Pedal	H30A19	Cover for Vegetable Drawer
H18A54	Momentary Contact Switch with Leads	H30A20	Vegetable Drawer
H18A95	Top Trim (Left Hand)	H30A21	Shelf for Lower Vegetable Drawer
H18A109	Top Trim (Right Hand)	H30A22	Pin for H30A19 Cover
H18A111	Trim between H8A61 and H8A59 Panels	H31A1	Front Panel for Storage Drawer
H18A112	Trim between H8A61 Front Panel and Side Panel	H31A2	Storage Drawer
H18A113	Top Trim (Front)	H31A3	Rod with Support for Storage Drawer Opener
H19A4	Lamp Guard	H31A4	Spring for Storage Drawer Opener
H20A6	Screw for Nameplate Clip	H31A5	Rear Support for H31A3 Rod
H20A8	Speed Nut for 49X563 Receptacle	H31A6	Spring Seat for H31A4 Spring
H20A15	Screw for Foot Pedal and Base or Cabinet and Base	H31A7	Stop for H31A4 Spring
H20A16	Screw fastening Inner Liner Cover to Inner Liner	H31A8	Nut Strip for Stop
H20A19	Rubber Button for Outer Case	H31A9	Fiber Wedge for Drawer
H20A20	Rubber Spacer for Channel	H31A10	Supports and Channels for Storage Drawer
H20A22	Cap Screw fastening Refrigerating Machine to Base	H31A11	Sliding Guide Channel with Rollers for Storage Drawer (Right Hand)
H20A47	Screw for Hinge and Cabinet	H31A12	Sliding Guide Channel with Rollers for Storage Drawer (Left Hand)
H20A48	Screw for Sealing Cup and Gasket	H32A1	Upper or Lower Door for Evaporator Compartment
H20A56	Shim between Spacer and Door Frame	H32A2	Middle Door for Evaporator Compartment
H20A57	Door Spring	H32A3	Trim, Right Hand (Evaporator Compartment)
H20A59	Spacer between Evaporator and Inner Liner Cover	H32A6	Handle for Evaporator Compartment Door
H20A60	Screw for Spring Clip, Sealing Cover, Side Panel, Clamp, Trim	H32A7	Spring Latch for Evaporator Compartment Door
H20A61	Spring Clip for Refrigerating Machine Compartment Panel	H32A8	Upper Hinge for Middle Evaporator Compartment Door
H20A75	Rubber Washer for H20A16 Screw	H32A9	Lower Hinge for Middle Evaporator Compartment Door
H20A76	Shelf Support (Straight) for Sliding Shelf, or Spacer for Side Channel and Inner Liner	H32A10	Hinge for Upper or Lower Evaporator Compartment Door
H20A77	Spring for Door Jamb Strip	H32A11	Pin for H32A8, H32A9 or H32A10 Hinges
H20A78	Spring Retainer for H20A77 or H20A88 Springs	H32A12	Spacer between Evaporator and Trim Clip
H20A79	Support for Mullion Tube	H32A13	Spacer for Handle or H32A7 Spring Latch
H20A80	Spacer for Mullion	H32A14	Baffle for Evaporator Compartment
H20A81	Washer for 58X276 Screw	H32A15	Spring Clip for Baffle
H20A82	Clamp for Tubes	H32A16	Trim, Left Hand (Evaporator Compartment)
H20A83	Pad for Hinge and Cabinet	H32A17	Clip (Left-Hand Trim)
H20A84	Mullion for Inner Liner	4030	Cotter Pin for Hinge Pin
H20A85	Support for H20A84 Mullion	13919	Nut for C20A81 Screw
H20A86	Screw for H20A84 Mullion	126869	Nut for H20A22 Screw
H20A87	Spacer for Hinge and Door	126914	Screw for Stop and Drawer Release
H20A88	Spring for Door Strip	150279	Washer for 126914 Screw
H20A89	Screw for Hinge	153179	Fiber Washer (3/4" O.D.) for H20A16 Screw
H20A91	Frame for Small Door	153923	Screw for H20A80 Spacer and Outer Case
H20A92	Drain for Chiller Tray	179789	Washer for H20A86, 11X339 or H20A60 Screws and for 58X286 Nut
H20A94	Rubber Bumper for Evaporator Compartment Door	278451	Screw for H5A82 Insulation
H20A95	Screw fastening Control to Escutcheon Plate	465012	Steel Washer for H20A16 Screw (3/4" O.D.)
H20A96	Nut for H20A95 Screw	1X452	Nut for H20A16 Screw
H20A99	Hanger for Top Shelf	11X339*	Screw for Latch, H20A107 Catch, Tube Sealing Plate or Strike
H20A100	Nut for H12A2 Screw	49X789	Light Receptacle with Leads
H20A101	Fiber Washer for H20A100 Nut	54X685	Washer for 278451 Screw
H20A102	Frame for Large Door	58X272	Screw fastening Channel to Mullion or Inner Liner, or End Channel
H20A103	Brass Washer between Hinge and Cabinet Door	58X274	Washer for 58X303 Screw
H20A104	Rubber Spacer for Outer Door Panel and Frame (Left-Hand, Facing Inner Side of Panel)	58X275	Screw for Front Panels
H20A105	Rubber Spacer for Outer Door Panel and Frame (Right-Hand, Facing Inner Side of Panel)	58X276	Screw for Side Panel, Rear, or Channel Spacer
H20A106	Rubber Button for Refrigerating Machine Compartment Panel	58X277	Screw for Top Cover
H20A107*	Catch with Rivet and Filler Piece for Refrigerating Machine Compartment Panel	58X278	Washer for 58X277 Screw
H20A108	Spacer (0.125") for H12A9 Screw	58X279	Screw for Skirt
H20A109	Spacer (0.031") for H12A9 Screw	58X280	Screw for H8A60 Panel
H20A111	Heater for Mullion (32 Volt)	58X281	Screw for Channel and Shelf Support
H20A112	Heater for Mullion (65 Volt)	58X282	Screw for Trim
H20A113	Heater for Mullion (230 Volt)	58X283	Screw for H32A6 Handle
H20A115	Pad for Side Panel (Front)	58X284	Screw for H32A8, H32A9, H32A10 Hinges, or for Escutcheon Plate
H20A140	Steel Washer for 58X287 Screw (1/2" O.D.)	58X285	Nut for H30A22 Pin
H20A267	Heater for Mullion (115 Volt)	58X286	Nut for H12A1 Screw
H20X6	Service Clip Assembly for Servicing Units	58X287	Screw for H31A1 Panel or for Fiber Wedge
H23A24	Sealing Cup with Connection Rod	58X303	Screw for H20A80 Spacer and Inner Liner
H23A35	Black Rubber Boot for Foot Pedal	58X304	Screw for Side Panel
H23A37	Connection Rod between Gland and Turnbuckle	61X328	Lockwasher for 13919 Nut
H23A39	Turnbuckle for Connection Rod	64X973	Check Nut for Turnbuckle (Left-Hand Thread)
H23A44	Grey Rubber Boot for Foot Pedal	64X974	Check Nut for Turnbuckle (Right-Hand Thread)
H23A60	Strike Case with Plunger (Right-Hand Door)	65X631	Washer for 58X275 or 58X280 Screws
H23A61	Strike Case with Plunger (Left-Hand Door)	GE3014	Connector for Leads
H23A62	Foot Pedal Door and Drawer Opener	NP59179B	Clip for Nameplate
H23A63	Foot Pedal with Bracket, Hinge Pin, Rod, Shield and Stop	NP60940	Escutcheon Plate for Control
H23A64	Hinge Pin for Foot Pedal		

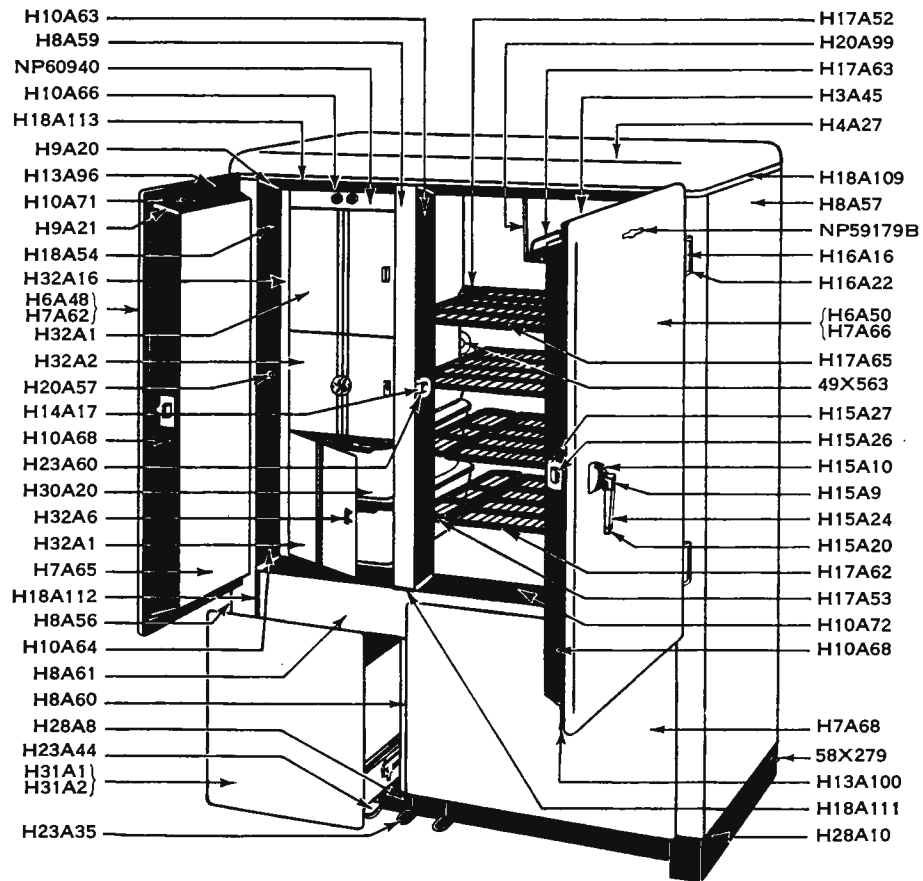
\* On first production the Catch for Refrigerating Compartment Door was welded in position, but later fastened to the door with screws.

† KF-15B Cabinet has same renewal parts as KF-15A except Baffle for Evaporator Compartment and Small Top Shelf and other parts not used on KF-15A as follows:

H17A87	Shelf and Hanger (Small)	H20A133	Strap for Shelf Hanger (Rear)
H20A131	Baffle for Evaporator Compartment	63X305	Lockwasher for H17A87 Shelf
H20A132	Cover Strip		

Always Give Catalog Number

## K-15A—Cabinet Parts



- A1R52† Accessories
- H3A44 Inner Liner Cover (Right Hand)
- H3A45 Inner Liner
- H4A27 Top Cover for Cabinet
- H4A28 Sealing Cover
- H5A82 Insulation between Refrigerating Machine Compartment and Storage Drawer
- H5A83 Insulation between Side Panel and Base (Front, Bottom)
- H5A84 Insulation back of H8A60 Panel
- H5A87 Insulation between Inner Liner Cover and Cabinet Cover
- H5A88 Insulation for Refrigerating Machine Compartment Door
- H5A90\* Insulation back of H8A61 Panel
- H5A91 Insulation between Inner Liner and Outer Case
- H5A162 Cabinet Insulation (Set)
- H6A48 Small Cabinet Door
- H6A50 Large Cabinet Door
- H7A62 Small Outer Door Panel
- H7A65 Small Outer Door Panel
- H7A66 Large Outer Door Panel
- H7A67 Large Inner Door Panel
- H7A68 Door Panel with Catches for Refrigerating Machine Compartment
- H8A56 Side Panel (Left Hand)
- H8A57 Side Panel (Right Hand)
- H8A59 Middle Panel (Upper Front)
- H8A60 Middle Panel (Lower Front)
- H8A61 Front Panel (Horizontal)
- H9A20 Door Jamb Corner
- H9A21 Door Corner
- H10A63 Door Jamb Strip with Filler Piece (Vertical, Latch Side)
- H10A64 Door Jamb Strip (Vertical, Hinge Side, Small Door)
- H10A65 Door Jamb Strip (Vertical, Hinge Side, Large Door)
- H10A66 Door Jamb Strip (Horizontal, Small Door)
- H10A68 Door Strip (Vertical, Latch Side)
- H10A69 Door Strip (Vertical, Hinge Side)
- H10A71 Door Strip (Horizontal, Small Door)
- H10A72 Door Jamb Strip (Horizontal, Large Door)
- H10A73 Door Strip (Horizontal, Large Door)
- H12A1 Screw for Evaporator and Trim

- H12A2 Screw for H20A76 Support, Hanger or Shelf Support
- H12A9 Cap Screw for Storage Drawer Frame
- H12X2 Screw Fastening Left-Hand Trim to Clip
- H13A59 Gasket for Sealing Cup
- H13A91 Gasket between Mullion and Inner Liner
- H13A92 Gasket between Support and Mullion
- H13A93 Rubber Gasket for Latch and Door Frame
- H13A96 Rubber Gasket for Small Door
- H13A97 Gasket between Hinge and Outer Door Panel or between Spacer and Outer Door Panel
- H13A98 Set of Gaskets between Door Jamb Strips and Outer Panels
- H13A100 Rubber Gasket for Large Door
- H13A101 Large Gasket between Latch Handle Escutcheon Plate and Outer Door Panel
- H13A102 Small Gasket between Latch Handle Escutcheon Plate and Outer Door Panel
- H13A103 Gasket for Sealing Cover
- H13A110 Gasket between Door Jamb Strip and Outer Panel (Hinge Side)
- H13A111 Gasket between Door Jamb Strip and Outer Panel (Latch Side)
- H13A112 Gasket between Door Jamb Strip and Outer Panel (Horizontal, Small Door)
- H13A114 Gasket between Door Jamb Strip and Outer Panel (Horizontal, Large Door)
- H13A162 Gasket for Inner Liner Cover and Inner Liner
- H13X4 Rubber Button for H31A1 Front Panel
- H14A17 Strike
- H15A9 Latch Handle
- H15A10 Escutcheon Plate for Latch Handle
- H15A20 Thimble for Latch Handle
- H15A24 Handle Grip
- H15A26 Latch Case with Bolt, Spring, Gasket and Nut
- H15A27 Escutcheon Plate for Latch Bolt
- H15A32 Nut Fastening Handle to Latch
- H15A44 Spring for Latch Case
- H16A16 Cover for Hinge
- H16A22 Hinge (Less Cover)
- H17A52 Shelf back of Evaporator Unit
- H17A53 Shelf (Small, Side)
- H17A54 Channel with Catch for H17A62 Shelf

† Refer to Accessories Section for parts included.  
\* Use Kimsul, Cat. No. H5X20.

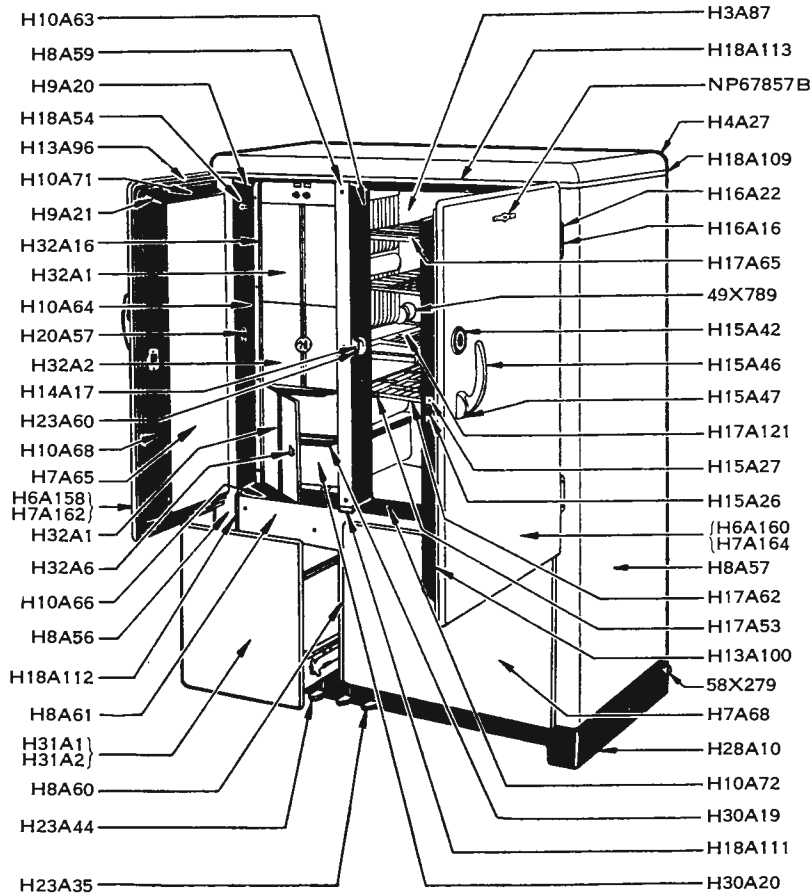
Always Give Catalog Number

## K-15A—Cabinet Parts (Continued)

H17A55	Channel for H17A53 Shelf	H23A61	Strike Case with Plunger (Left-Hand Door)
H17A58	Shelf Support, Straight (Stationary Shelf)	H23A62	Foot Pedal Door and Drawer Opener
H17A60	Shelf Support (Headed)	H23A63	Foot Pedal with Bracket, Hinge Pin, Rod, Shield and Stop
H17A62	Large Sliding Shelf	H23A64	Hinge Pin for Foot Pedal
H17A63	Top Shelf	H23A65	Foot Pedal (Right-Hand, with Rod)
H17A65	Large Stationary Shelf	H23A66	Foot Pedal (Middle, with Rod)
H17A87	Shelf and Hanger (Small)	H23A67	Foot Pedal (Left-Hand, with Rod)
H18A3	Fiber Washer for H12A2 or H20A16 Screws ( $\frac{1}{2}$ " O.D.)	H23A68	Spacer (Left-Hand Foot Pedal)
H18A18	Washer for H20A15, H12A9 or 279364 Screws ( $\frac{5}{8}$ " O.D.)	H23A69	Foot Pedal Shield
H18A19	Washer for 11X339 Screw	H23A70	Connection Rod between Sealing Cup and Plunger Rod
H18A20	Fiber Washer ( $\frac{1}{4}$ " O.D.) for H20A16 or 58X279 Screws	H23A71	Drawer Release Lever with Spring, Support and Hinge Pin
H18A38	Washer for 58X304 Screw	H23A72	Stop (Right-Hand, or Middle Foot Pedal)
H18A43	Washer for H20A15 Screw and Foot Pedal	H27A33	Base for Cabinet and Refrigerating Machine
H18A54	Momentary Contact Switch with Leads	H28A8	Skirt for Base (Left Hand)
H18A95	Top Trim (Left Hand)	H28A10	Skirt for Base (Right Hand)
H18A109	Top Trim (Right Hand)	H29A5	Channel for Refrigerating Machine and Evaporator Connection Tubing
H18A111	Trim between H8A61 and H8A59 Panels	H30A19	Cover for Vegetable Drawer
H18A112	Trim between H8A61 Front Panel and Side Panel	H30A20	Vegetable Drawer
H18A113	Top Trim (Front)	H30A21	Shelf for Lower Vegetable Drawer
H19A4	Lamp Guard	H30A22	Pin for H30A19 Cover
H20A6	Screw for Nameplate Clip	H31A1	Front Panel for Storage Drawer
H20A8	Speed Nut for 49X563 Receptacle	H31A2	Storage Drawer
H20A15	Screw for Foot Pedal and Base or Cabinet and Base	H31A3	Rod with Support for Storage Drawer Opener
H20A16	Screw Fastening Inner Liner Cover to Inner Liner	H31A4	Spring for Storage Drawer Opener
H20A19	Rubber Button for Outer Case	H31A5	Rear Support for H31A3 Rod
H20A20	Rubber Spacer for Channel	H31A6	Spring Seat for H31A4 Spring
H20A47	Screw for Hinge and Cabinet	H31A7	Stop for H31A4 Spring
H20A48	Screw for Sealing Cup and Gasket	H31A8	Nut Strip for Stop
H20A56	Shim between Spacer and Door Frame	H31A9	Fiber Wedge for Drawer
H20A57	Door Spring	H31A10	Supports and Channels for Storage Drawer
H20A60	Screw for Spring Clip, Sealing Cover, Side Panel, Clamp, Trim	H31A11	Sliding Guide Channel with Rollers for Storage Drawer (Right Hand)
H20A61	Spring Clip for Refrigerating Machine Compartment Panel	H31A12	Sliding Guide Channel with Rollers for Storage Drawer (Left Hand)
H20A74	Fiber Washer for H20A86 Screw	H32A1	Upper or Lower Door for Evaporator Compartment
H20A75	Rubber Washer for H20A16 Screw	H32A2	Middle Door for Evaporator Compartment
H20A76	Shelf Support (Straight) for Sliding Shelf, or Spacer for Side Channel and Inner Liner	H32A3	Trim, Right-Hand (Evaporator Compartment)
H20A77	Spring for Door Jamb Strip	H32A6	Handle for Evaporator Compartment Door
H20A78	Spring Retainer for H20A77 or H20A88 Springs	H32A7	Spring Latch for Evaporator Compartment Door
H20A79	Support for Mullion Tube	H32A8	Upper Hinge for Middle Evaporator Compartment Door
H20A80	Spacer for Mullion	H32A9	Lower Hinge for Middle Evaporator Compartment Door
H20A81	Washer for 58X276 Screw	H32A10	Hinge for Upper or Lower Evaporator Compartment Door
H20A82	Clamp for Tubes	H32A11	Pin for H32A8, H32A9 or H32A10 Hinges
H20A83	Pad for Hinge and Cabinet	H32A12	Spacer between Evaporator and Trim Clip
H20A84	Mullion for Inner Liner	H32A13	Spacer for Handle or H32A7 Spring Latch
H20A85	Support for H20A84 Mullion	H32A16	Trim, Left-Hand (Evaporator Compartment)
H20A86	Screw for H20A84 Mullion	H32A17	Clip (Left-Hand Trim)
H20A87	Spacer for Hinge and Door	4030	Cotter Pin for Hinge Pin
H20A88	Spring for Door Strip	126914	Screw for Stop and Drawer Release
H20A89	Screw for Hinge	150279	Washer for 126914 Screw
H20A91	Frame for Small Door	153179	Fiber Washer ( $\frac{3}{4}$ " O.D.) for H20A16 Screw
H20A92	Drain for Chiller Tray	153923	Screw for H20A80 Spacer and Outer Case
H20A94	Rubber Bumper for Evaporator Compartment Door	179789	Washer for 11X339 or H20A60 Screws and for 58X286 Nut
H20A95	Screw Fastening Control to Escutcheon Plate	278451	Screw for H5A82 Insulation
H20A96	Nut for H20A95 Screw	279364	Cap Screw Fastening Back Angle, Refrigerating Machine or H20A179 and H20A180 Brackets to Base
H20A99	Hanger for Top Shelf	465012	Steel Washer for H20A16 Screw ( $\frac{3}{4}$ " O.D.)
H20A100	Nut for H12A2 Screw	1X452	Nut for H20A16 Screw
H20A101	Fiber Washer for H20A100 Nut	11X339	Screw for Latch, H20A107 Catch, Tube Sealing Plate or Strike
H20A102	Frame for Large Door	49X789	Light Receptacle with Leads
H20A103	Brass Washer between Hinge and Cabinet Door	54X685	Washer for 278451 Screw
H20A104	Rubber Spacer for Outer Door Panel and Frame (Left-Hand Facing Inner Side of Panel)	58X272	Screw Fastening Channel to Mullion or Inner Liner, or End Channel
H20A105	Rubber Spacer for Outer Door Panel and Frame (Right-Hand, Facing Inner Side of Panel)	58X274	Washer for 58X303 Screw
H20A106	Rubber Button for Refrigerating Machine Compartment Panel	58X275	Screw for Front Panels
H20A107	Catch for Refrigerating Machine Compartment Panel	58X276	Screw for Side Panel, Rear, or Channel Spacer
H20A108	Spacer (0.125") for H12A9 Screw	58X277	Screw for Top Cover
H20A109	Spacer (0.031") for H12A9 Screw	58X278	Washer for 58X277 Screw
H20A111	Heater for Mullion (32 Volt)	58X279	Screw for Skirt
H20A112	Heater for Mullion (65 Volt)	58X280	Screw for H8A60 Panel
H20A113	Heater for Mullion (230 Volt)	58X281	Screw for Channel and Shelf Support
H20A115	Pad for Side Panel (Front)	58X282	Screw for Trim
H20A131	Baffle for Evaporator Compartment	58X283	Screw for H32A6 Handle
H20A132	Cover Strip for Inner Liner	58X284	Screw for H32A8, H32A9, H32A10 Hinges, or or Escutcheon Plate
H20A133	Strap for Shelf Hanger (Rear)	58X285	Nut for H30A22 Pin
H20A140	Steel Washer for 58X287 Screw ( $\frac{1}{4}$ " O.D.)	58X286	Nut for H12A1 Screw
H20A179	Supporting Bracket for Refrigerating Machine Compartment Door (Straight)	58X287	Screw for H31A1 Panel or for Fiber Wedge
H20A180	Supporting Bracket for Refrigerating Machine Compartment Door (Offset)	58X303	Screw for H20A80 Spacer and Inner Liner
H20A267	Heater for Mullion (115 Volt)	58X304	Screw for Side Panel
H23A24	Sealing Cup with Connection Rod	63X305	Lockwasher for H17A87 Shelf
H23A35	Black Rubber Boot for Foot Pedal	64X973	Check Nut for Turnbuckle (Left-Hand Thread)
H23A37	Connection Rod between Gland and Turnbuckle	64X974	Check Nut for Turnbuckle (Right-Hand Thread)
H23A39	Turnbuckle for Connection Rod	65X631	Washer for 58X275 or 58X280 Screws
H23A44	Grey Rubber Boot for Foot Pedal	GE3014	Connector for Leads
H23A60	Strike Case with Plunger (Right-Hand Door)	NP59179B	Clip for Nameplate
		NP60940	Escutcheon Plate for Control

Always Give Catalog Number

## K-15B—Cabinet Parts



- |         |   |                    |  |
|---------|---|--------------------|--|
| A1R97†  | Accessories   | H13A93             | Rubber Gasket for Latch Case and Door Frame                                      |
| H3A87   | Inner Liner with Tapping Strips and Shelf Supports                      | H13A96             | Rubber Gasket for Small Door   |
| H3A86   | Mullion for Inner Liner   | H13A97             | Gasket between Hinge and Outer Door Panel or between Spacer and Outer Door Panel |
| H3A89   | Inner Liner Cover (Right Hand)  | H13A98             | Set of Gaskets between Door Jamb Strips and Outer Door Panels                    |
| H4A27   | Cabinet Cover   | H13A100            | Rubber Gasket for Large Door   |
| H4A28   | Sealing Cover   | H13A102            | Gasket under Latch Handle (Small)  |
| H5A82   | Insulation between Refrigerating Machine Compartment and Storage Drawer | H13A103            | Gasket for Sealing Cover   |
| H5A83   | Insulation between Side Panel and Base (Front, Bottom)                  | H13A110            | Gasket between Door Jamb Strip and Outer Panel (Hinge Side)                      |
| H5A84   | Insulation back of H8A60 Panel  | H13A111            | Gasket between Door Jamb Strip and Outer Panel (Latch Side)                      |
| H5A87   | Insulation between Inner Liner Cover and Sealing Cover                  | H13A112            | Gasket between Door Jamb Strip and Outer Panel (Horizontal, Small Door)          |
| H5A88   | Insulation for Refrigerating Machine Compartment Door                   | H13A114            | Gasket between Door Jamb Strip and Outer Panel (Horizontal, Large Door)          |
| H5A90*  | Insulation back of H8A61 Panel  | H13A149            | Gasket under Latch Handle (Large)  |
| H5A162  | Cabinet Insulation (Set)  | H13A162            | Gasket for Inner Liner Cover and Inner Liner                                     |
| H6A158  | Door Complete (Small)   | H13X4              | Rubber Button for H31A1 Panel  |
| H6A160  | Door Complete (Large)   | H14A17             | Strike   |
| H7A65   | Small Inner Door Panel  | H15A26             | Latch Case with Bolt, Spring, Gasket and Nut                                     |
| H7A67   | Large Inner Door Panel  | H15A27             | Escutcheon Plate for Latch Bolt  |
| H7A68   | Door Panel with Catches for Refrigerating Machine Compartment           | H15A32             | Nut Fastening Latch Handle and Latch Case to Outer Door Panel                    |
| H7A162  | Small Outer Door Panel  | H15A42             | Scuff Plate for Latch Handle   |
| H7A164  | Large Outer Door Panel  | H15A44             | Spring for Latch Case and Bolt   |
| H8A56   | Side Panel (Left Hand)  | H15A46             | Latch Handle without Escutcheon Plate  |
| H8A57   | Side Panel (Right Hand)   | H15A47             | Escutcheon Plate for Latch Handle  |
| H8A59   | Middle Panel (Upper Front)  | H16A16             | Hinge Cover  |
| H8A60   | Middle Panel (Lower Front)  | H16A22             | Hinge for Cabinet Door   |
| H8A61   | Front Panel (Horizontal)  | H17A53             | Shelf (Small Side)   |
| H9A20   | Door Jamb Corner  | H17A54             | Channel with Catch for Large Sliding Shelf                                       |
| H9A21   | Door Corner   | H17A55             | Channel for Small Side Shelf   |
| H10A63  | Door Jamb Strip (Vertical, Latch Side, with Filler Piece)               | H17A58             | Shelf Support (Straight)   |
| H10A64  | Door Jamb Strip (Vertical, Hinge Side, Small Door)                      | H17A60             | Shelf Support (Headed)   |
| H10A66  | Door Jamb Strip (Horizontal, Small Door)                                | H17A62             | Shelf (Large, Sliding, First at Bottom)  |
| H10A68  | Door Strip (Vertical, Latch Side)                                       | H17A65             | Shelf (Large, Stationary)  |
| H10A69  | Door Strip (Vertical, Hinge Side)                                       | H17A121            | Shelf (Large, Sliding, Second at Bottom)   |
| H10A71  | Door Strip (Horizontal, Small Door)                                     | H18A3              | Fiber Washer for H12A2 Screw   |
| H10A72  | Door Jamb Strip (Horizontal, Large Door)                                | H18A18             | Washer for 279364, H12A9, or H20A15 Screws (3/8" O.D.)                           |
| H10A73  | Door Strip (Horizontal, Large Door)                                     | H18A19             | Fiber Washer for Screw Fastening H20A107 to H6A51                                |
| H10A111 | Door Jamb Strip (Vertical, Hinge Side, Large Door)                      | H18A20             | Fiber Washer for H20A16 or 58X279 Screws (1/2" O.D.)                             |
| H11A123 | Tapping Strip for H17A55 Channel  | H18A38             | Washer for 58X304 Screw  |
| H12A1   | Screw Fastening Clip for Right-Hand Trim to Evaporator                  | H18A43             | Washer for H20A15 Screw and Foot Pedal   |
| H12A2   | Screw Fastening H17A58, H17A60, or H20A76 to Inner Liner                | H18A54             | Momentary Contact Switch (Short Leads)   |
| H12A9   | Cap Screw Fastening H31A3, H31A5, or H31A10 to Base                     | H18A95             | Top Trim (Left Hand)   |
| H12X2   | Screw Fastening H32A16 Trim to H32A17 Clip                              | H18A109            | Top Trim (Right Hand)  |
| H13A59  | Gasket for Sealing Cup  | H18A111            | Trim between H8A61 Panel and H8A59 and H8A60 Middle Panels                       |
| H13A91  | Gasket between Inner Liner and Support for Mullion                      |                    |  |
| H13A92  | Gasket between Support and H3A86 Mullion                                |                    |  |
|         |   | H3A87              |  |
|         |   | H18A113            |  |
|         |   | NP67857B           |  |
|         |   | H4A27              |  |
|         |   | H18A109            |  |
|         |   | H16A22             |  |
|         |   | H16A16             |  |
|         |   | H17A65             |  |
|         |   | 49X789             |  |
|         |   | H15A42             |  |
|         |   | H15A46             |  |
|         |   | H15A47             |  |
|         |   | H17A121            |  |
|         |   | H15A27             |  |
|         |   | H15A26             |  |
|         |   | (H6A160<br>H7A164) |  |
|         |   | H8A57              |  |
|         |   | H17A62             |  |
|         |   | H17A53             |  |
|         |   | H13A100            |  |
|         |   | 58X279             |  |
|         |   | H7A68              |  |
|         |   | H28A10             |  |
|         |   | H10A72             |  |
|         |   | H30A19             |  |
|         |   | H18A111            |  |
|         |   | H30A20             |  |

† Refer to Accessories Section for details.  
\* Use Kimul, Cat. No. H5X20.

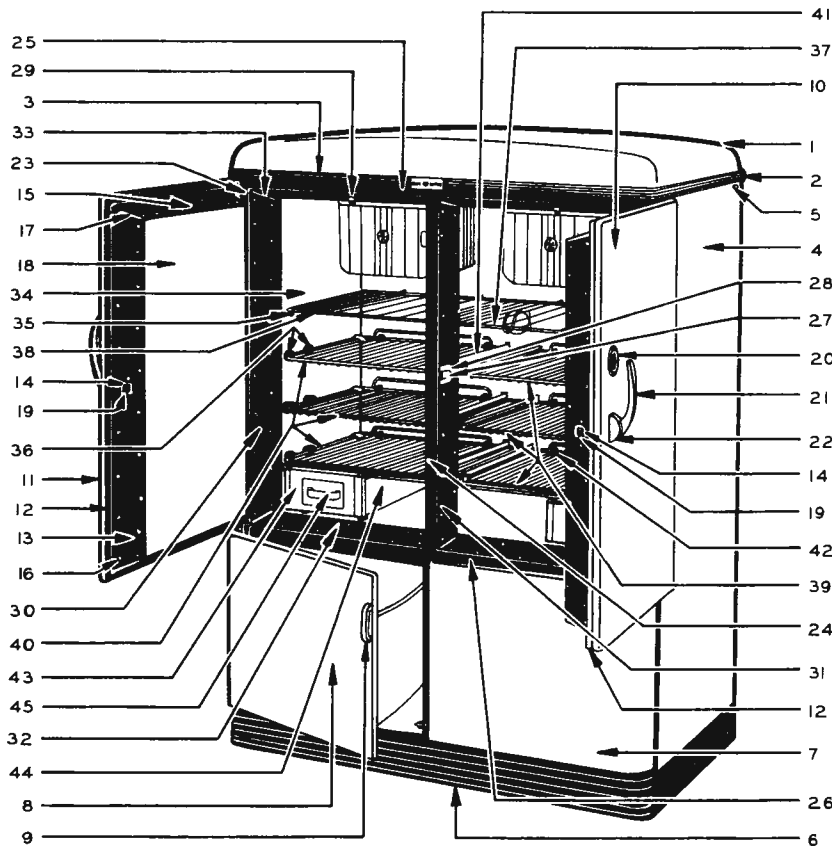
Always Give Catalog Number

## K-15B—Cabinet Parts (Continued)

H18A112	Trim between H8A61 Panel and Side Panel	H28A10	Skirt for Base (Right Hand)
H18A113	Top Trim (Front)	H29A5	Channel for Refrigerating Machine and Evaporator Connection Tubing
H19A18	Lockwasher for Momentary Contact Switch	H30A19	Cover for H30A20 Vegetable Pan
H19A21	Nut Fastening Momentary Contact Switch to Door Jamb Strip	H30A20	Vegetable Pan
H20A4	Rivet Fastening H11A123 Tapping Strip to Inner Liner	H30A21	Shelf for Lower Vegetable Pan
H20A6	Screw for Nameplate Clip	H30A22	Supporting Stud for Vegetable Pan Cover
H20A15	Cap Screw Fastening Foot Pedal, Cabinet, or H20A179 and H20A180 Support Bracket to Base	H31A1	Front Panel for Storage Drawer
H20A16	Screw Fastening Inner Liner Cover to Inner Liner	H31A2	Storage Drawer
H20A20	Rubber Spacer for H29A5 Channel	H31A3	Rod with Support for Storage Drawer Opener
H20A47	Screw Fastening Hinge to Outer Case	H31A4	Spring for Storage Drawer Opener
H20A48	Screw Fastening Sealing Cup and Gasket to Bottom of Outer Case	H31A5	Rear Support for H31A3 Rod
H20A49	Screw Fastening H20A57 Spring to Door Jamb Strip	H31A6	Spring Seat for H31A4 Spring
H20A56	Shim between Spacer and Door Frame	H31A7	Stop for H31A4 Spring
H20A57	Door Spring	H31A8	Tapping Strip for Screw Fastening H31A7 Stop to Storage Drawer
H20A60	Screw for Sealing Cover, Trim, H29A5 Channel or H20A61 Clip	H31A9	Fiber Wedge for Storage Drawer
H20A61	Spring Clip for Refrigerating Machine Compartment Panel	H31A10	Supports and Channels for Storage Drawer
H20A74	Fiber Washer for H20A86 Screw	H31A11	Sliding Guide Channel with Rollers (Right-Hand Side, for Storage Drawer)
H20A75	Rubber Washer under Scuff Plate or for H20A16 Screw	H31A12	Sliding Guide Channel with Rollers (Left-Hand Side, for Storage Drawer)
H20A76	Support and Spacer for H17A54 Channel	H32A1	Upper or Lower Door for Evaporator Compartment
H20A77	Spring for Door Jamb Strip	H32A2	Middle Door for Evaporator Compartment
H20A78	Spring Retainer for H20A88 or H20A77 Spring	H32A3	Trim (Right Hand) for Evaporator Compartment
H20A79	Support for Mullion Tube	H32A6	Handle for Evaporator Compartment Door
H20A80	Spacer for Mullion	H32A7	Spring Latch for Evaporator Compartment Door
H20A81	Washer for 58X276 Screw	H32A8	Hinge for Evaporator Compartment Door (Second from Top)
H20A83	Pad for Hinge and Cabinet	H32A9	Hinge for Evaporator Compartment Door (Second from Bottom)
H20A85	Support for H3A86 Mullion	H32A10	Hinge for Evaporator Compartment Door (Top or Bottom)
H20A86	Screw Fastening Support to Mullion or Inner Liner	H32A11	Pin for Evaporator Compartment Door Hinge
H20A87	Spacer between Outer Door Panel and Door Frame (Hinge Side)	H32A12	Spacer between Clip for Right-Hand Trim and Evaporator
H20A88	Spring for Door Strip	H32A13	Spacer Plate for Screw Fastening Handle and Spring Latch to Evaporator Compartment Door
H20A89	Screw Fastening Hinge to Door	H32A16	Trim (Left Hand) for Evaporator Compartment
H20A92	Drain for Chiller Tray	H32A17	Clip for H32A16 Trim
H20A94	Rubber Bumper for Evaporator Compartment Door	110774	Cotter Pin for H23A64 Pin
H20A95	Screw Fastening Control to Escutcheon Plate	126914	Screw for Stop and Drawer Release
H20A96	Nut for H20A95 Screw	150279	Washer for 126914 Screw
H20A103	Brass Washer between Hinge and Cabinet Door	153179	Fiber Washer for H20A16 Screw (3/4" O.D.)
H20A104	Rubber Spacer for Outer Door Panel and Door Frame (Left Hand, Facing Inner Side of Panel)	153923	Screw for H20A80 Spacer and Outer Case
H20A105	Rubber Spacer for Outer Door Panel and Door Frame (Right Hand, Facing Inner Side of Panel)	153998	Screw Fastening Tube Support to Outer Case
H20A106	Rubber Button for Refrigerating Machine Compartment Panel	165736	Steel Washer under Scuff Plate
H20A107	Catch with Rivets and Filler Piece for Refrigerating Machine Compartment Panel	179789	Fiber Washer for H12A1, H20A60 or 11X339 Screw
H20A108	Spacer between Supports for Storage Drawer and Base (0.125" thick)	278451	Screw for H5A82 Insulation
H20A109	Spacer between Supports for Storage Drawer and Base (0.031" thick)	279364	Cap Screw Fastening Back Cross Piece or Unit to Base
H20A111	Heater for Mullion (32 Volt)	465012	Steel Washer for H20A16 Screw (3/4" O.D.)
H20A112	Heater for Mullion (65 Volt)	1440922	Spacing Washer between Skid on Back Cross Piece and Base
H20A113	Heater for Mullion (230 Volt)	1X452	Nut for H20A16 Screw
H20A116	Washer for 80X213 Screw	11X339	Screw Fastening H20A107 Catch to H7A68 Panel, Latch Case to Door Strip, Strike or Tube Sealing Plate
H20A131	Baffle between Top Vegetable Pan and Chiller Tray	29X705	Nut for 153998 Screw
H20A140	Washer for 58X287 Screw	49X648	Light Switch, Connector and Leads
H20A155	Ice Tray Lifter Hook	49X789	Light Receptacle (Long Leads)
H20A179	Supporting Bracket for Refrigerating Machine Compartment Door (Straight)	54X685	Washer for 278451 Screw
H20A180	Supporting Bracket for Refrigerating Machine Compartment Door (Offset)	58X274	Washer for 58X303 Screw
H20A194	Frame for Door (Small)	58X275	Screw for Front Panel
H20A196	Frame for Door (Large)	58X276	Screw for Side Panel (Rear) or Channel Spacer
H20A267	Heater for Mullion (115 Volt)	58X277	Screw for Top Cover
H23A24	Sealing Cup with Connecting Rod	58X278	Washer for 58X277 Screw
H23A35	Black Rubber Boot for Foot Pedal	58X279	Screw for Skirt
H23A37	Connection Rod between Gland and Turnbuckle	58X280	Screw for H8A60 Panel
H23A39	Turnbuckle for Connecting Rod	58X281	Screw Fastening H17A54 Channel to H20A76 Support
H23A44	Grey Rubber Boot for Foot Pedal	58X282	Screw Fastening Evaporator Trim in Position
H23A60	Strike Case with Plunger (Right-Hand Door)	58X283	Screw Fastening H32A6 Handle and H32A7 Spring Latch in Position
H23A61	Strike Case with Plunger (Left-Hand Door)	58X284	Screw Fastening Hinge to Evaporator Compartment Door
H23A62	Foot Pedal Door and Drawer Opener	58X285	Nut for H30A22 Stud
H23A63	Foot Pedals with Bracket, Hinge Pin, Rods and Shield	58X286	Nut for H12A1 Screw
H23A64	Hinge Pin for Foot Pedal	58X287	Screw Fastening Front Panel or Fiber Wedge to Storage Drawer
H23A65	Foot Pedal (Right Hand, with Rod)	58X303	Screw for H20A80 and Inner Liner
H23A66	Foot Pedal (Middle, with Rod)	58X304	Screw for Side Panel or Clamp for Tubes
H23A67	Foot Pedal (Left Hand, with Rod)	58X310	Lockwasher for 11X339 Strike Screw
H23A68	Spacer for Left-Hand Foot Pedal	64X973	Check Nut for Turnbuckle (Left-Hand Thread)
H23A69	Foot Pedal Shield	64X974	Check Nut for Turnbuckle (Right-Hand Thread)
H23A70	Connection Rod between Sealing Cup and Plunger Rod	65X631	Washer for 58X275 or 58X280 Screws
H23A71	Drawer Release Lever with Spring, Support and Hinge Pin	80X213	Screw Fastening H17A55 Channel to Inner Liner and H11A123 Tapping Strip
H23A72	Stop for Right-Hand or Middle Foot Pedal	GE3014	Connector for Lead
H27A33	Base for Cabinet and Refrigerating Machine	NP60940	Escutcheon Plate for Control
H28A8	Skirt for Base (Left Hand)	NP67857B	Nameplate Clip

Always Give Catalog Number

# PB16-38A and PB16-39B—Cabinet Parts



REF. NO.	CATALOG NUMBER		NAME OF PART
	PB16-38A	PB16-39B	
1.	H4A47	H4A57	TOP COVER FOR CABINET
	H20A297	H20A297	Rubber Corner Cushion for Cat. H4A57
	H20A261	H20A261	Clip for Top Cover, Side
	11X339	11X339	Screw for Cat. H20A261 (10-30)
	H20A272	H20A272	Spring Clamp for Clip Cat. H20A261
	H20A60	H20A60	Screw for Cat. H20A272 (No. 8)
	H20A181	H20A181	Clip for Top Cover, Back
	H20A276	H20A276	Spacer for Cat. H20A181
	58X337	58X337	Screw for Cat. H20A181 (No. 8)
2.	H18A145	H18A145	Trim for Top Cover, Right Side
3.	H18A144	H18A144	Trim for Top Cover, Left Side
	H20A60	H20A60	Screw for Cat. H18A144 or H18A145
	H2A86	H2A86	OUTER CASE
4.	H8A83	H8A83	Panel, Side, Right
	H8A84	H8A84	Panel, Side, Left
5.	H20A49	H20A49	Screw for Cat. H8A83 or H8A84 (No. 8)
	H18A38	H18A38	Washer for Cat. H20A49
	H29A5	H29A5	Channel for Refrigerant Line
	H20A60	H20A60	Screw for Cat. H29A5 (No. 8)
	179789	179789	Washer for Cat. H20A60
	H20A20	H20A20	Rubber Spacer for Cat. H29A5
	58X276	58X276	Screw for Cat. H20A20 (No. 8)
	179789	179789	Washer for Cat. 58X276
	H27A71	H27A71	BASE
	H20A259	H20A259	Support for Refrigerating Machine
	279364	279364	Screw Fastening Cat. H20A259 to Base (5/16 in.-18)
	177811	177811	Nut for Cat. 279364
	H18A18	H18A18	Washer for Cat. 279364
	61X328	61X328	Lockwasher for Cat. 279364
	H31A32	H31A32	Roller and Bracket for Storage Bin
	11X339	11X339	Screw for Cat. H31A32
	58X310	58X310	Lockwasher for Cat. 11X339
	H20A260	H20A260	Catch for Storage Bin
	46X784	46X784	Screw Fastening Cat. H20A260 to Base (1/4 in.-20)
	61X327	61X327	Lockwasher for Cat. 46X784
	279364	279364	Cap Screw Fastening Outer Case to Base (5/16 in.-18)
	61X328	61X328	Lockwasher for Cat. 279364
	261646	261646	Cap Screw Fastening Refrigerating Machine to Base (5/16 in.-18)
	177811	177811	Nut for Cat. 261646
	H18A22	H18A22	Washer for Cat. 261646
	61X328	61X328	Lockwasher for Cat. 261646
	A2R12	A2R12	Glider for Cabinet
	64X77	46X794	Cap Screw for Cat. A2R12 (1/4 in.-20)
6.	H27A72	H27A72	Grille for Base
7.	-	H7A257	PANEL FOR REFRIGERATING MACHINE COMPARTMENT DOOR

REF. NO.	CATALOG NUMBER		NAME OF PART
	PB16-38A	PB16-39B	
7.	H6A198	-	Refrigerating Machine Compartment Door with Catch, Bumper and Insulation
	H20A262	H20A262	Supporting Plate for Hinges for H7A257 or H6A198
	11X339	11X339	Screw for Cat. H20A262 (10-30)
	58X310	58X310	Lockwasher for Cat. 11X339
	H20A264	H20A264	Spring Catch for Cat. H7A257 or H6A198
	H20A321	H20A321	Hasp for Cat. H7A257 or H6A198
	11X335	11X339	Screw for Cat. H20A264 and H20A321 (10-30)
	58X310	58X310	Lockwasher for Cat. 11X335
	11X339	11X339	Screw Fastening Cat. H20A321 to Mullion (10-30)
	H18A3	H18A3	Washer for Cat. 11X339
	-	H20A366	Handle for Cat. H7A257
	-	H20A136	Washer Between Handle and Door Panel
	-	105113	Screw for Cat. H20A366 (10-32)
	-	54X441	Lockwasher for Cat. 105113
	H20A263	H20A263	Rubber Bumper for Cat. H7A257 or H6A198
	H20A75	H20A75	Washer for Cat. H20A263
	-	H18A157	Trim and Clips for Cat. H7A257
	-	H20A358	Clip for Cat. H18A157
	H16A47	H16A47	Hinge for Cat. H7A257 or H6A198
	H16A48	H16A48	Spacer Rod for Hinge
	11X339	11X339	Screw for Hinge (10-30)
8.	H31A38	H7A258	STORAGE BIN DOOR PANEL
	H31A39	H31A39	Storage Bin
	H12X2	H12X2	Screw Fastening Storage Bin to Door Panel (10-30)
	H20A116	H20A116	Washer for Cat. H12X2
9.	H31A15	H20A366	Handle for Storage Bin Door
	-	H20A138	Washer Between Handle and Door
	126914	105113	Screw Fastening Handle to Storage Bin Door
	54X441	54X441	Lockwasher for Cat. 105113 or 126914
	H20A263	H20A263	Rubber Bumper for Storage Bin Door
	H31A32	H31A32	Roller and Bracket for Storage Bin
	H20A628	H20A628	Roller Only
	11X335	11X339	Screw for Cat. H31A32 (10-30)
	-	H20A116	Washer for Cat. 11X339
	-	H18A158	Trim and Clips for Cat. H7A258
	-	H20A358	Clip for Cat. H18A157
	H16A47	H16A47	Hinge for Storage Bin Door
	H16A48	H16A48	Spacer Rod for Hinge
	11X339	11X339	Screw for Hinge (10-30)
10.	H6A196	-	DOOR COMPLETE (RIGHT-HAND)
11.	-	-	DOOR COMPLETE (LEFT-HAND)
10.	H7A186	H7A259	Outer Door Panel (Right-Hand)
	H7A187	H7A260	Outer Door Panel (Left-Hand)
12.	H31A189	H31A189	Door Gasket
13.	H10A126	H10A126	Door Strip, Latch Side, with Escutcheon for Latch Bolt
14.	H15A41	H15A41	Escutcheon for Latch Bolt

Always Give Catalog Number



# PB16-38A and PB16-39B—Cabinet Parts (Continued)

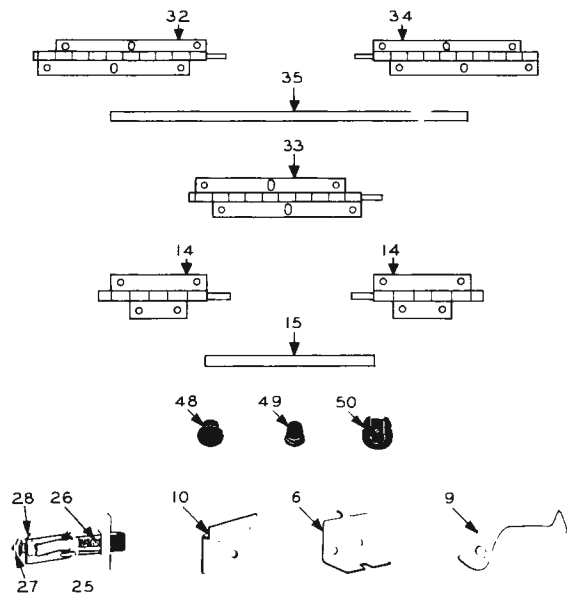
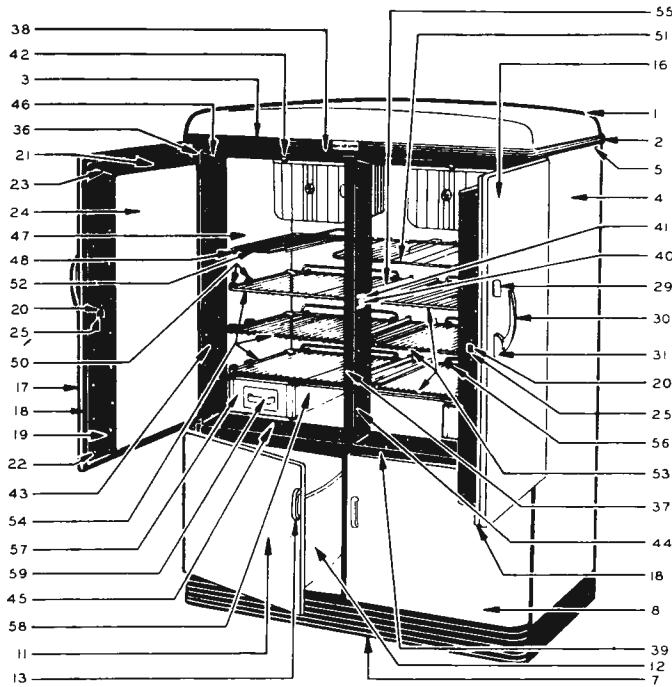
REF. NO.	CATALOG PB16-38A	NUMBER PB16-39B	NAME OF PART
15.	H10A128	H10A126	Door Strip, Hinge Side
	H10A134	H10A134	Door Strip, Top or Bottom
16.	H12X2	H12X2	Screw for Door Strip (10-30)
17.	H9A33	H9A33	Door Corner
	H7A165	H7A261	Inner Door Panel, Right-Hand Door
18.	H7A165	H7A185	Inner Door Panel, Left-Hand Door
19.	H15A61	H15A72	Latch with Gasket, and Nut (with Lockwasher for PB16-38A only)
	H15A44	H15A44	Spring for Latch
	H15A45	H15A45	Nut for Latch and Handle
	H13A148	H13A148	Gasket Between Latch and Outer Door Panel
	H20A117	-	Lockwasher for Cat. H15A45
	11X339	11X339	Screw Fastening Latch to Door Strip (10-30)
20.	H15A42	H15A67	Scuff Plate and Clip for Latch Handle
	H20A251	-	Rubber Washer Between Scuff Plate Clip and Door (1/2 in. O.D.)
	58X326	-	Nut for Scuff Plate Clip
	58X325	-	Lockwasher for 58X326 Nut
	-	H20A6	Screw for Scuff Plate Clip (4-48)
	-	H20A6	Screw for Thermometer Clip (4-48)
21.	H15A46	H15A68	Latch Handle without Escutcheon
22.	H15A47	H15A69	Escutcheon for Latch Handle
	H13A149	H13A195	Gasket Between Latch Handle and Outer Door Panel
	-	58X276	Screw Fastening Latch Handle to Outer Panel (No. 2)
	H16A45	H16A45	Upper Hinge for Right-Hand Door, or Lower Hinge for Left-Hand Door
	H16A44	H16A44	Upper Hinge for Left-Hand Door, or Lower Hinge for Right-Hand Door
	H16A46	H16A46	Spacer Rod for Hinge
	11X339	11X339	Screw for Hinge (10-30)
23.	H18A139	H18A139	Trim, Front, Left-Side
	H18A140	H18A140	Trim, Front, Right
24.	H18A141	H18A141	Trim, Front, Mullion
25.	H18A146	H18A146	Trim, Front, Top Cross Piece
26.	H18A147	H18A147	Trim, Front, Bottom Cross Piece
	11X339	11X339	Screw for Trim (10-30)
	H10A135	H10A135	Strip, Outer Case, Top
	H20A86	H20A86	Screw for Cat. H10A135 (10-30)
27.	H14A19	H14A19	Strike for Latch Bolt
28.	H14A20	H14A20	Strike Case
	11X339	11X339	Screw for Strike (10-30)
	58X310	58X310	Lockwasher for Cat. 11X339
29.	1GA21H3	1GA21H3	Door Switch with 8 inch Leads
	H13A181	H13A181	Gasket for Cat. 1GA21H3
	H12X2	H12X2	Screw for Cat. 1GA21H3 (10-30)
30.	H10A130	H10A130	Door Jamb Strip, Hinge Side
31.	H10A131	H10A131	Door Jamb Strip, Latch Side
	H10A136	H10A136	Door Jamb Strip, Top
32.	H10A137	H10A137	Door Jamb Strip, Bottom
	H12X2	H12X2	Screw for Door Jamb Strip (10-30)
33.	H9A34	H9A34	Door Jamb Corner
	H4A48	H4A48	Sealing Cover for Cabinet
	H20A86	H20A86	Screw for Cat. H4A48 (10-30)
	H20A74	-	Washer for Cat. H20A86
	H13A191	H13A191	Gasket for Cat. H4A48
	H20A270	H20A270	Clip for Cat. H4A48
	58X276	58X276	Screw for Cat. H20A270 (No. 8)
34.	H3A103	H3A103	INNER LINER WITH SHELF SUPPORTS
35.	H17A90	H17A90	Shelf Support, Headed (1/2 in. long)
	H18A3	-	Washer for H17A90, left front only
	H17A122	H17A122	Shelf Support, Straight (3/4 in. long)
	H12A2	H12A2	Screw for Cat. H17A90 or H17A122 (1/4 in.-20)
	H17A166	H17A166	Washer for Cat. H12A2
36.	H17A91	H17A91	Shelf Support, Single Slot, 11/16 in. high
37.	H17A92	H17A92	Shelf Support, Single Slot, 3/4 in. high
36.	H17A93	H17A93	Shelf Support, Single Slot, 13/16 in. high
36.	H17A94	H17A94	Shelf Support, Single Slot, 7/8 in. high
	H20A159	H20A159	Screw for Single Slot Shelf Support (10-30)
	58X324	58X324	Lockwasher for Single Slot Shelf Support
	H17A110	H17A110	Washer for Single Slot Shelf Support
	H20A258	H20A258	Double Clip for Supporting Rod for Vegetable Drawer Cover

REF. NO.	CATALOG PB16-38A	NUMBER PB16-39B	NAME OF PART
	H12A2	H12A2	Screw for Cat. H20A258 (1/4 in.-20)
	H17A122	H17A122	Shelf Support Used as Thumb Nut for Cat. H12A2
	H17A166	H17A166	Washer for Cat. H12A2
	H17A48	H17A48	Rubber Thimble for Supporting Rod for Vegetable Drawer Cover
	H12X2	H20A86	Screw Fastening Inner Liner Cover to Inner Liner (10-30)
	H20A74	H20A74	Washer (Fiber) for Cat. H12X2 or H20A86
	H20A281	H20A281	Top Plate for Inner Liner
	H20A86	H20A86	Screw for Cat. H20A281 (10-30)
	H20A74	H20A74	Washer for Cat. H20A86
	H13A185	H13A185	Gasket for Inner Liner Cover
	H13A190	H13A190	Gasket for Top Plate for Inner Liner
	H20A282	H20A282	Bracket for Ice Tray Separator Release
	H20A256	-	Bracket for Ice Tray Separator Release (Early Production Cabinets)
	H20A60	H20A60	Screw for Cat. H20A282 (No. 2)
37.	H17A179	H17A179	Shelf, Top, Right Side
38.	H17A178	H17A221	Shelf, Top, Left Side
	-	H17A219	Trim for Cat. H17A221 Shelf Slide
39.	H17A177	H17A177	Sliding Shelf with Stops, Right-Hand Side
40.	H17A176	H17A176	Sliding Shelf with Stops, Left-Hand Side
	H17A105	H17A105	Stop for Shelf
41.	H17A171	H17A171	Shelf, Center
42.	H20A248	H20A248	Rumper for Shelf
43.	H30A57	H30A57	VEGETABLE DRAWER
44.	H30A58	H30A58	Pan for Vegetable Drawer
45.	H30A40	H30A40	Front Panel for Vegetable Drawer
	H30A34	H30A34	Handle for Vegetable Drawer
	58X350	58X350	Screw Fastening Cat. H30A34 and H30A40 to Cat. H30A58 (10-32)
	179789	179789	Fiber Washer for Cat. 58X350 (13/32 in. O.D.)
	H20A250	H20A250	Washer Between Cat. H30A40 and Cat. H30A58 (1 in. O.D.)
	H30A59	H30A59	Cover for Vegetable Drawer
	H20A279	H20A279	Right-Hand Support for Cat. H30A59
	H20A280	H20A280	Left-Hand Support for Cat. H30A59
	H20A274	H20A274	Rubber Stop for Cat. H20A279 or H20A280
	H20A275	H20A275	Rubber Rest for Cat. H20A279 or H20A280
	H20A269	H20A269	Slide for Vegetable Drawer
	78X81	78X81	Lamp Receptacle
	H19A27	H19A27	Bushing for Lamp Receptacle
	H19A26	H19A26	Lamp Guard
	GE3014	GE3014	Connector for Leads
	H20A265	H20A265	Heater for Mullion (32 volts)
	H20A266	H20A266	Heater for Mullion (65 volts)
	H20A267	H20A267	Heater for Mullion (115 volts)
	H20A268	H20A268	Heater for Mullion (230 volts)
	H20A271	H20A271	Clip for Mullion Heater
	134568	134968	Screw for Cat. H20A271 (8-32)
	H5A206	H5A206	Cabinet Insulation
	H22A35	H22A35	Insulation for Door
	H5A201	H5A201	Insulation Between Refrigerating Machine Compartment and Storage Bin Compartment
	H5A207	H5A207	Insulation Between Inner Liner Cover and Sealing Cover
	H5A208	H5A208	Insulation Filler Above Door Jamb Strip
	H5A209	H5A209	Sound Insulation for Storage Bin Door
	H22A37	H22A37	Sound Insulation for Refrigerating Machine Compartment Door
	H5A210	-	Board Insulation for Refrigerating Machine Compartment Door
	200104	-	Screw Fastening H5A210 Insulation to H20A262 Supporting Plate
	H20A273	-	Nut for 200104 Screws
	11X335	11X335	Screw for Cat. H22A37 (10-30)
	136979	136979	Screw for Insulation Cat. H5A201 (10-24)
	H20A273	H20A273	Speed Nut for Cat. 136979
	A1R116	A1R152	**Accessories

\*Cat. No. H20A282 is Fastened to the Liner with a Screw while H20A256 is Clamped Between the Liner and the Liner Cover. These Parts are not Interchangeable.  
 \*\*Refer to the Accessories Section for the Parts Included.

Always Give Catalog Number

# PB16-39A—Cabinet Parts



REF. NO.	CAT. NO.	NAME OF PART
1.	H4A55	TOP COVER FOR CABINET
	H13A221	Gasket for Top Cover, front and sides
	H13A222	Gasket for Top Cover, Back
	H20A367	Clip for Top Cover, Front
	I4E595	Screw for Cat. H20A367 (10-32)
	H20A368	Bracket for Top Cover, Back
	H20A60	Screw for Cat. H20A368 (No. 8)
	H20A369	Bracket for Outer Case, Back
	H20A60	Screw for Cat. H20A369 (No. 8)
	20X527	Screw Fastening H20A368 to H20A369 (1/4 in.-20)
	I2X540	Nut for Cat. 20X527
	I43974	Washer for Cat. 20X527
2.	H18A170	Trim for Top Cover, Right
3.	H18A169	Trim for Top Cover, Left
	58X287	Screw for Cat. H18A169 or H18A170 (No. 8)
	H2A106	OUTER CASE
4.	H8A87	Panel, Side, Right
	H8A88	Panel, Side, Left
5.	H20A49	Screw for Cat. H8A87 or H8A88, Top or Side (No. 8)
	91X299	Screw for Cat. H8A87 or H8A88, Bottom (No. 8)
	H18A38	Washer for Cat. H20A49 or 91X299
	H20A372	Nut for Cat. 91X299
	I36975	Screw for Refrigerant Line Sealing Plate (10-24)
	H13A220	Gasket for Refrigerant Line Sealing Plate
	H20A370	Support for Refrigerant Line Sealing Plate
	H20A60	Screw for Cat. H20A370 (No. 8)
	H20A371	Clamp for Refrigerant Line, Upper
	H20A243	Rubber Spacer for Cat. H20A371
	H20A62	Screw for Cat. H20A243 (No. 8)
	80X132	Washer for Cat. H20A62
	H20A202	Clamp for Refrigerant Line, Lower
	H20A60	Screw for Cat. H20A202 (No. 8)
	H27A103	BASE
	H20A374	Partition between Storage Bin and Refrigerating Machine Compartments
	H2CA263	Rubber Button Bumper
	H20A75	Washer for Cat. H2CA263
	H22A43	Sound Insulation
	I26915	Screw for Cat. H20A374 (8-32)
	H20A375	Speed Nut for Cat. I26915
	H31A32	Roller and Bracket for Storage Bin
	I1X339	Screw for Cat. H31A32 (10-30)
	I65736	Washer for Cat. I1X339
6.	H20A239	Catch for Spring Clip Cat. H20A241
	H20A60	Screw for Cat. H20A239 (No. 8)
	H20A376	Baffle for Refrigerating Machine Compartment (Not used with CE34C Unit)
	H20A60	Screw for Cat. H20A376 (No. 8)
	279364	Cap Screw Fastening Outer Case to Base (5/16 in.-18)
	61X328	Lockwasher for Cat. 279364

REF. NO.	CAT. NO.	NAME OF PART
	261646	Cap Screw fastening Refrigerating Machine to Base (5/16 in.-18)
	I77811	Nut for Cat. 261646
	H18A22	Washer for Cat. 261646
7.	H27A102	Grill for Base
	H20A377	Spring Clip for Cat. H27A102
	221423	Rivet for Cat. H20A377
8.	H7A264	PANEL FOR REFRIGERATING MACHINE COMPARTMENT DOOR
	H22A44	Sound Insulation for Cat. H7A264
	H20A366	Handle for Cat. H7A264
	H20A138	Washer Between Handle and Door Panel
	I05113	Screw for Cat. H20A366 (10-32)
	54X441	Lockwasher for Cat. I05113
9.	H20A241	Spring Clip for Cat. H7A264
	H20A174	Screw for Cat. H20A241 (10-30)
	I65736	Washer for Cat. H20A174
	H20A263	Rubber Button Bumper for Cat. H7A264
	H20A75	Washer for Cat. H20A263
	H18A157	Trim and Clip for Cat. H7A264
	H20A358	Clip for Cat. H18A157
10.	H20A181	Support for Cat. H7A264
	H20A49	Screw for Cat. H20A181 (No. 8)
	H20A240	Washer for Cat. H20A49
11.	H7A265	STORAGE BIN DOOR PANEL
	H22A44	Sound Insulation for Cat. H7A265
12.	H31A43	Storage Bin
	H20A60	Screw fastening Storage Bin to Cat. H7A265 (No. 8)
	I65736	Washer for Cat. H20A60
13.	H20A366	Handle for Cat. H7A265
	H20A138	Washer between Handle and Door Panel
	I05113	Screw for Cat. H20A366 (10-32)
	54X441	Lockwasher for Cat. I05113
	I51A32	Roller and Bracket for Storage Bin
	H20A228	Roller Only
	H20A378	Catch for Storage Bin
	H12X2	Screw for Cat. H20A378 (10-30)
	H20A138	Washer for Cat. H12X2
	46X808	Stop for Storage Bin (1/4 in.-20)
	I2X540	Nut for Cat. 46X808
	61X327	Lockwasher for Cat. 46X808
	H18A153	Trim and Clip for Cat. H7A265
	H20A358	Clip for Cat. H18A153
14.	H16A47	Hinge for Cat. H7A265
15.	H16A48	Spacing Rod for Hinge
	I1X339	Screw for Hinge (10-30)
16.	-	RIGHT-HAND DOOR
17.	-	LEFT-HAND DOOR
16.	H7A259	Outer Door Panel (Right-Hand) with Tapping Strips
17.	H7A260	Outer Door Panel (Left-Hand) with Tapping Strips
18.	H13A189	Door Gasket
19.	H10A126	Door Strip, Latch Side, with Escutcheon for Latch Bolt

\*Later Production Cabinets used Cat. I05113 Screw (10-32) with Cat. 200384 Nut.

## PB16-39A—Cabinet Parts (Continued)

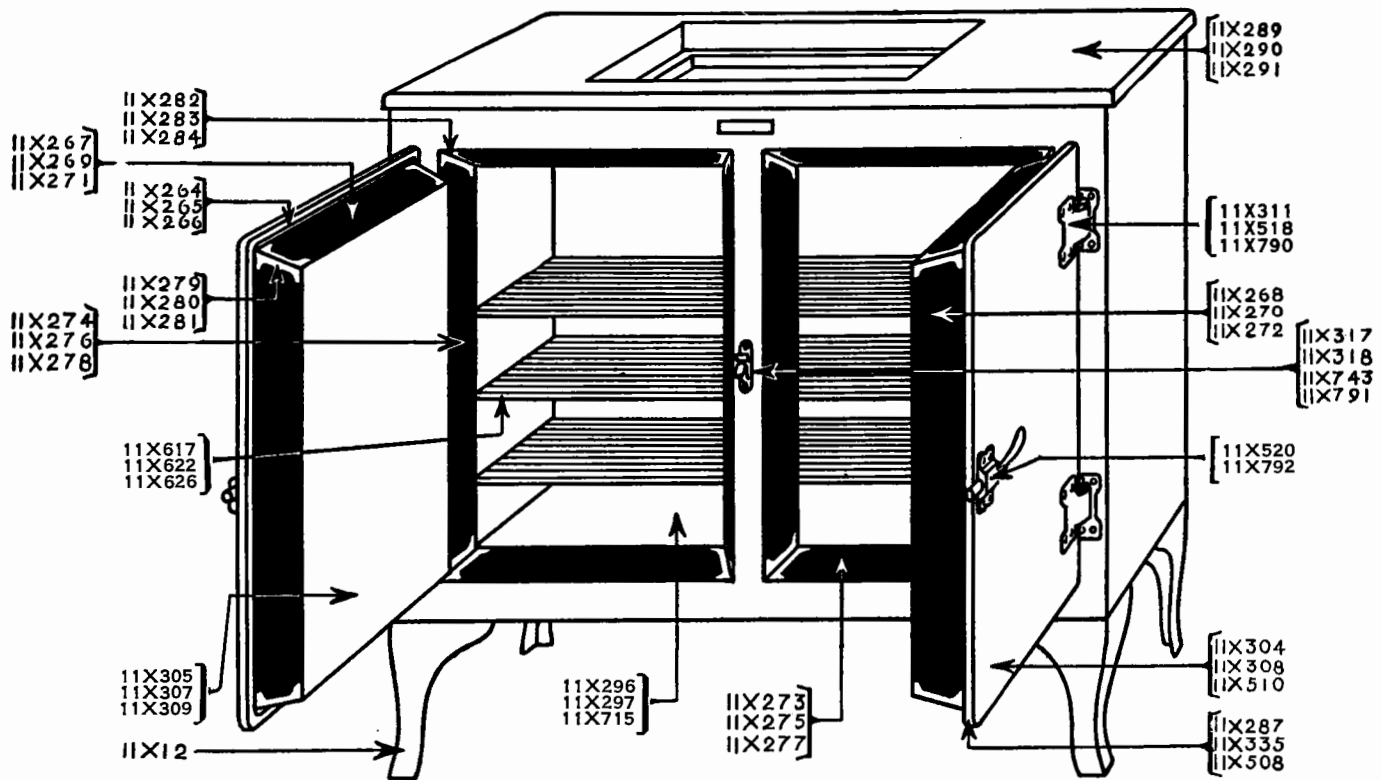
REF. NO.	CAT. NO.	NAME OF PART	REF. NO.	CAT. NO.	NAME OF PART
20.	H15A41	Escutcheon for Latch Bolt	50.	H17A92	Shelf Support, Single Slot (3/4 in. high)
	H10A128	Door Strip, Hinge Side	50.	H17A93	Shelf Support, Single Slot (13/16 in. high)
21.	H10A134	Door Strip, Top or Bottom	50.	H17A94	Shelf Support, Single Slot (7/8 in. high)
22.	H12X2	Screw for Door Strip (10-30)	H20A159	Screw for Single Slot Shelf Support (10-30)	
23.	H9A33	Door Corner	58X324	Lockwasher for Single Slot Shelf Support	
	H7A261	Inner Door Panel, Right-Hand Door	H17A110	Washer for Single Slot Shelf Support	
24.	H7A185	Inner Door Panel, Left-Hand Door	H20A258	Double Clip for Supporting Rod for Vegetable Drawer Cover	
25.	H15A72	Latch with Gasket and Nut	H12A2	Screw for Cat. H20A258 (1/4 in.-20)	
26.	H15A44	Spring for Latch	H17A69	Thumb Nut for Cat. H12A2	
27.	H15A45	Nut for Latch and Handle	H17A166	Washer for Cat. H12A2	
28.	H13A148	Gasket between Latch and Outer Door Panel	H17A48	Rubber Thimble for Supporting Rod for Vegetable Drawer Cover	
	11X339	Screw fastening Latch to Door Strip (10-30)	H20A86	Screw fastening Inner Liner Cover to Inner Liner (10-30)	
29.	H15A67	Scuff Plate	H20A74	Washer (Fiber) for Cat. H20A86	
	H20A6	Screw for Scuff Plate Clip (4-48)	H20A75	Washer (Rubber) for Cat. H20A86	
	H20A6	Screw for Thermometer Clip (4-48)	H20A281	Top Plate for Inner Liner	
30.	H15A68	Latch Handle without Escutcheon	H20A86	Screw for Cat. H20A281 (10-30)	
31.	H15A69	Escutcheon for Latch Handle	H20A74	Washer (Fiber) for Cat. H20A86	
	H13A195	Gasket between Latch Handle and Outer Door Panel	H20A75	Washer (Rubber) for Cat. H20A86	
	58X276	Screw fastening Latch Handle to Outer Door Panel (No. 8)	H20A282	Bracket for Ice Tray Separator Release	
32.	H16A45	Upper Hinge for Right-Hand or Lower Hinge for Left-Hand Door	H20A60	Screw for Cat. H20A282 (No. 8)	
33.	H16A44	Upper Hinge for Left-Hand Door	H17A179	Shelf, Top, Right Side	
34.	H16A50	Lower Hinge for Right-Hand Door	51.	H17A221	Shelf, Top, Left Side
35.	H16A46	Spacer Rod for Hinge	52.	H17A219	Trim for Cat. H17A221, Slide
	11X339	Screw for Hinge (10-30)	53.	H17A177	Sliding Shelf with Stops, Right Side
36.	H18A163	Trim, Front, Left Side	54.	H17A176	Sliding Shelf with Stops, Left Side
	H18A164	Trim, Front, Right Side		H17A105	Stop for Shelf
37.	H18A165	Trim, Front, Mullion	55.	H17A171	Shelf Center
38.	H18A171	Trim, Front, Top Cross Piece, Right or Left Side	56.	H20A248	Bumper for Shelf
39.	H18A172	Trim, Front, Bottom Cross Piece, Refrigerating Machine Compartment Side	57.	H30A57	VEGETABLE DRAWER
	H18A173	Trim, Front, Bottom Cross Piece, Storage Bin Compartment Side	58.	H30A58	Pan for Vegetable Drawer
	11X339	Screw for Trim (10-30)	57.	H30A40	Front Panel for Vegetable Drawer
	H20A138	Washer for Cat. 11X339	58.	H30A34	Handle for Vegetable Drawer
	H10A146	Strip for Top of Outer Case	59.	H30A34	Handle for Vegetable Drawer
	H20A86	Screw for Cat. H10A146 (10-30)	58X350	Screw fastening Cat. H30A34 and H30A40 to H30A58 (10-30)	
	H20A138	Washer for Cat. H20A86	179789	Washer for Cat. 58X350 (13/32 in. O.D.)	
40.	H14A19	Strike for Latch Bolt	H20A250	Washer between Cat. H30A40 and H30A58 (1 in. O.D.)	
41.	H14A20	Strike Case	H30A59	Cover for Vegetable Drawer	
	11X339	Screw for Strike (10-30)	H20A279	Right-Hand Support for Cat. H30A59	
	58X310	Lockwasher for Cat. 11X339	H20A280	Left-Hand Support for Cat. H30A59	
42.	1GA21H3	Door Switch with 8 inch Leads	H20A274	Rubber Stop for Cat. H20A279 or H20A280	
	H13A181	Gasket for Cat. 1GA21H3	H20A275	Rubber Rest for Cat. H20A279 or H20A280	
	H12X2	Screw for Cat. 1GA21H3 (10-30)	H20A269	Slide for Vegetable Drawer	
43.	H10A130	Door Jamb Strip, Hinge Side	78X435	Lamp Receptacle	
44.	H10A131	Door Jamb Strip, Latch Side	H20A60	Screw for Cat. 78X435 (No. 8)	
	H10A136	Door Jamb Strip, Top	H19A29	Lamp Guard	
	H10A137	Door Jamb Strip, Bottom	H20A49	Screw for Cat. H19A29 (No. 8)	
	H12X2	Screw for Door Jamb Strip (10-30)	GE3014	Connector for Leads	
46.	H9A34	Door Jamb Corner	H20A265	Heater for Mullion (32 volts)	
47.	H3A122	INNER LINER WITH SHELF SUPPORTS	H20A266	Heater for Mullion (65 volts)	
48.	H17A90	Shelf Support, Headed (1/2 in. long)	H20A267	Heater for Mullion (115 volts)	
	H18A3	Washer for H17A90, left front only	H20A268	Heater for Mullion (230 volts)	
49.	H17A89	Shelf Support, Straight (1/2 in. long)	H20A379	Clip for Mullion Heater	
	H12A2	Screw for Cat. H17A89 or H17A90 (1/4 in.-20)	H5X20	Cabinet Insulation (Kimsul, 18' roll)	
	H17A166	Washer for Cat. H12A2	†AIR152	Accessories	
50.	H17A91	Shelf Support, Single Slot (11/16 in. high)			

† Refer to the Accessories Section for Parts included.

\* Later production cabinets used Cat. 105136 Screw (10-32) with Cat. 200384 Nut and Cat. H20A380 Washer

Always Give Catalog Number

## S-100, G-100, S-140, G-135, S-180 and G-175—Cabinet Parts



### S-100 and G-100—Cabinet Parts

11X12 Leg	11X304 Outer Door Panel	11X790 Hinge (Chromium)
11X264 Door Gasket Complete (4 Pieces)	11X305 Inner Door Panel	11X791 Strike (Chromium)
11X267 Door Strip (Horizontal)	11X311 Hinge (Nickel)	11X792 Latch, Right or Left (Chromium)
11X268 Door Strip (Vertical)	11X317 Strike (Nickel)	11X943 Sliding Shelf (Right) with Pins
11X273 Door Jamb Strip (Horizontal)	11X337 Hardware Screw	11X944 Sliding Shelf (Left) with Pins
11X274 Door Jamb Strip (Vertical)	11X339 Door Strip Screw	11X945 Frame for Sliding Shelf (Right) with Pins
11X279 Door Corner	11X340 Nameplate Screw	11X946 Frame for Sliding Shelf (Left) with Pins
11X282 Door Jamb Corner	11X617 Shelf (Adjustable)	
11X285 Complete Door	11X296 Inner Liner	
11X289 Top Cover	11X297 Inner Liner	
	11X715 Inner Liner	
	11X273 Door Strip (Horizontal)	
	11X275 Door Strip (Vertical)	
	11X277 Door Strip (Vertical)	
	11X304 Outer Door Panel	
	11X308 Outer Door Panel	
	11X510 Outer Door Panel	
	11X287 Door Jamb Corner	
	11X335 Door Jamb Corner	
	11X508 Complete Door	

### S-140 and G-135—Cabinet Parts

11X12 Leg	11X290 Top Cover	11X508 Complete Door
11X265 Door Gasket Complete (4 Pieces)	11X296 Inner Liner	11X510 Outer Door Panel
11X269 Door Strip (Horizontal)	11X307 Inner Door Panel	11X518 Hinge (Chromium)
11X270 Door Strip (Vertical)	11X318 Strike (Nickel)	11X520 Latch, Right or Left (Chromium)
11X275 Door Jamb Strip (Horizontal)	11X338 Hardware Screw	11X622 Shelf (Adjustable)
11X276 Door Jamb Strip (Vertical)	11X339 Door Strip Screw	11X743 Strike (Chromium)
11X280 Door Corner	11X340 Nameplate Screw	H17A23 Special Top Shelf for DR-35B
11X283 Door Jamb Corner		

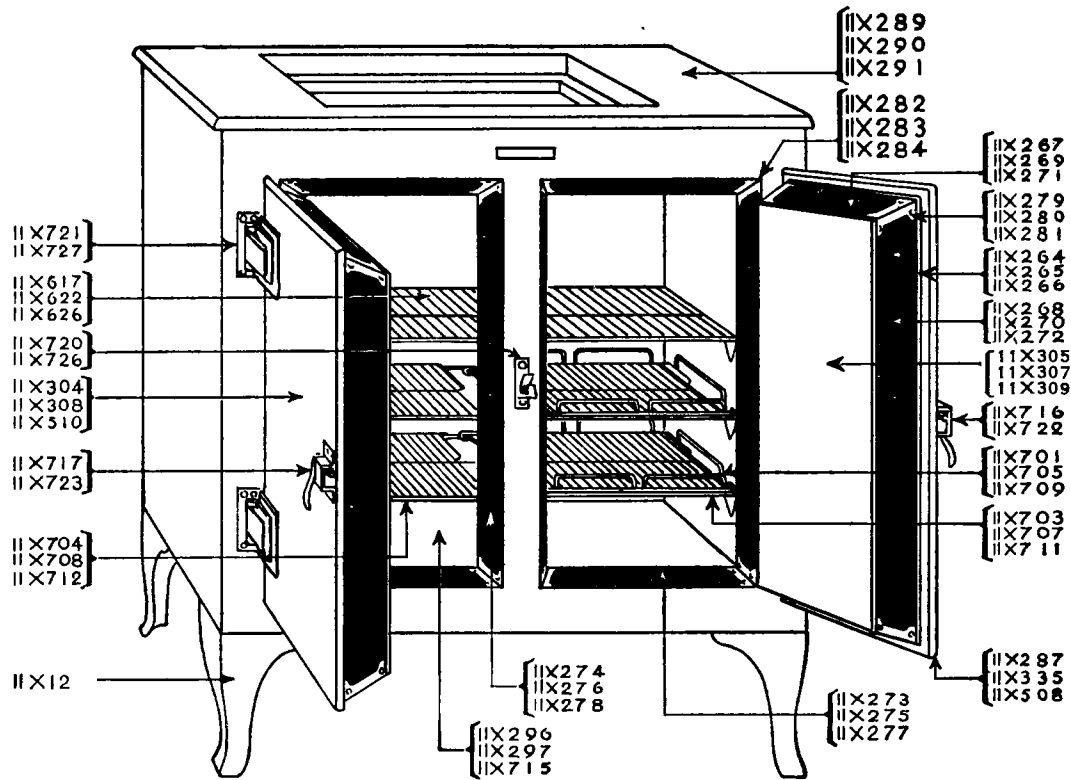
### S-180 and G-175—Cabinet Parts

11X12 Leg	11X284 Door Jamb Corner	11X338 Hardware Screw
11X266 Door Gasket Complete (4 Pieces)	11X287 Complete Door	11X339 Door Strip Screw
11X271 Door Strip (Horizontal)	11X291 Top Cover	11X340 Nameplate Screw
11X272 Door Strip (Vertical)	11X297 Inner Liner	11X518 Hinge (Chromium)
11X277 Door Jamb Strip (Horizontal)	11X308 Outer Door Panel	11X520 Latch, Right or Left (Chromium)
11X278 Door Jamb Strip (Vertical)	11X309 Inner Door Panel	11X626 Shelf (Adjustable)
11X281 Door Corner	11X318 Strike (Nickel)	11X743 Strike (Chromium)

Note: The accessories furnished depend on the unit used. Refer to Accessories Section.

Always Give Catalog Number

## SS-100, S-107, SS-140, S-146, SS-180 and S-182 — Cabinet Parts



### SS-100 and S-107 — Cabinet Parts

11X12 Leg	11X289 Top Cover	11X715 Inner Liner
11X264 Rubber Door Gasket (4 Pieces)	11X304 Outer Door Panel	11X716 Latch (Right Hand)
11X267 Door Strip (Horizontal)	11X305 Inner Door Panel	11X717 Latch (Left Hand)
11X268 Door Strip (Vertical)	11X340 Nameplate Screw	11X720 Strike (Double)
11X273 Door Jamb Strip (Horizontal)	11X617 Straight (Top) Adjustable Shelf	11X721 Hinge
11X274 Door Jamb Strip (Vertical)	11X701 Sliding Shelf Only	11X785 Door Strip Screw
11X279 Door Corner	11X702 Frame for Sliding Shelf (Left)	11X789 Hardware Screw
11X282 Door Jamb Corner	11X703 Frame for Sliding Shelf (Right)	11X817 Insulation (Set)
11X285 Complete Door	11X704 Straight (Side) Adjustable Shelf	

### SS-140 and S-146 — Cabinet Parts

11X12 Leg	11X296 Inner Liner	11X708 Straight (Side) Adjustable Shelf
11X265 Rubber Door Gasket (4 Pieces)	11X307 Inner Door Panel	11X722 Latch (Right Hand)
11X269 Door Strip (Horizontal)	11X340 Nameplate Screw	11X723 Latch (Left Hand)
11X270 Door Strip (Vertical)	11X508 Complete Door	11X726 Strike (Double)
11X275 Door Jamb Strip (Horizontal)	11X510 Outer Door Panel	11X727 Hinge
11X276 Door Jamb Strip (Vertical)	11X622 Straight (Top) Adjustable Shelf	11X785 Door Strip Screw
11X280 Door Corner	11X705 Sliding Shelf Only	11X788 Hardware Screw
11X283 Door Jamb Corner	11X706 Frame for Sliding Shelf (Left)	11X818 Insulation (Set)
11X290 Top Cover	11X707 Frame for Sliding Shelf (Right)	H17A23 Top Shelf for DR-35B Unit

### SS-180 and S-182 — Cabinet Parts

11X12 Leg	11X291 Top Cover	11X712 Straight (Side) Adjustable Shelf
11X266 Rubber Door Gasket (4 Pieces)	11X297 Inner Liner	11X722 Latch (Right Hand)
11X271 Door Strip (Horizontal)	11X308 Outer Door Panel	11X723 Latch (Left Hand)
11X272 Door Strip (Vertical)	11X309 Inner Door Panel	11X726 Strike (Double)
11X277 Door Jamb Strip (Horizontal)	11X340 Nameplate Screw	11X727 Hinge
11X278 Door Jamb Strip (Vertical)	11X626 Straight (Top) Adjustable Shelf	11X785 Door Strip Screw
11X281 Door Corner	11X709 Sliding Shelf Only	11X788 Hardware Screw
11X284 Door Jamb Corner	11X710 Frame for Sliding Shelf (Left)	11X819 Insulation (Set)
11X287 Complete Door	11X711 Frame for Sliding Shelf (Right)	

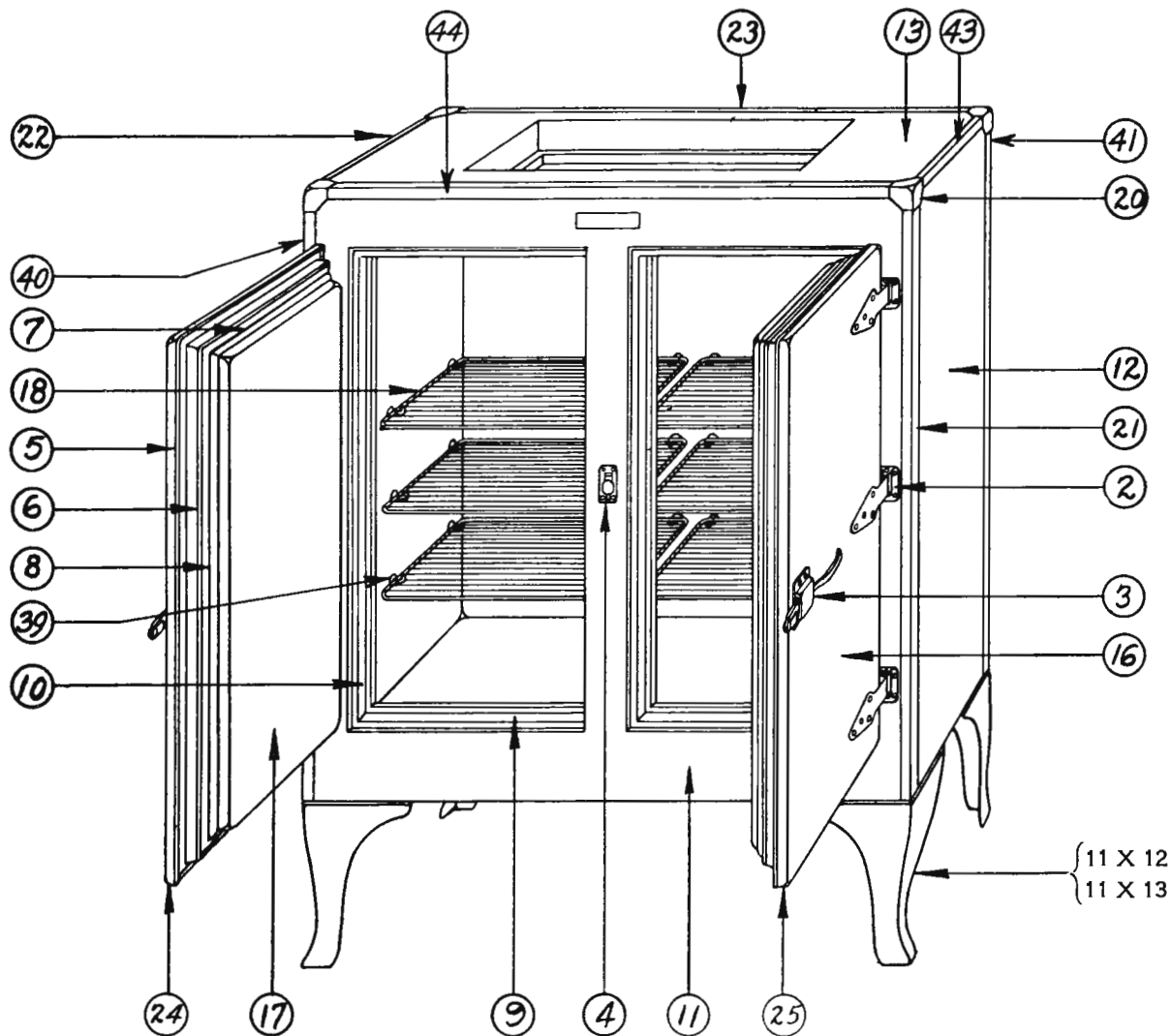
Note: The accessories furnished depend on the unit used. Refer to Accessories Section.

Always Give Catalog Number

# One Piece Front, Two Door Porcelain or Lacquer Model

Order by part number, giving symbol and serial number of cabinet

Refer to last three pages of this section for information on Hardware, Shelves and Door Gaskets for these Cabinets



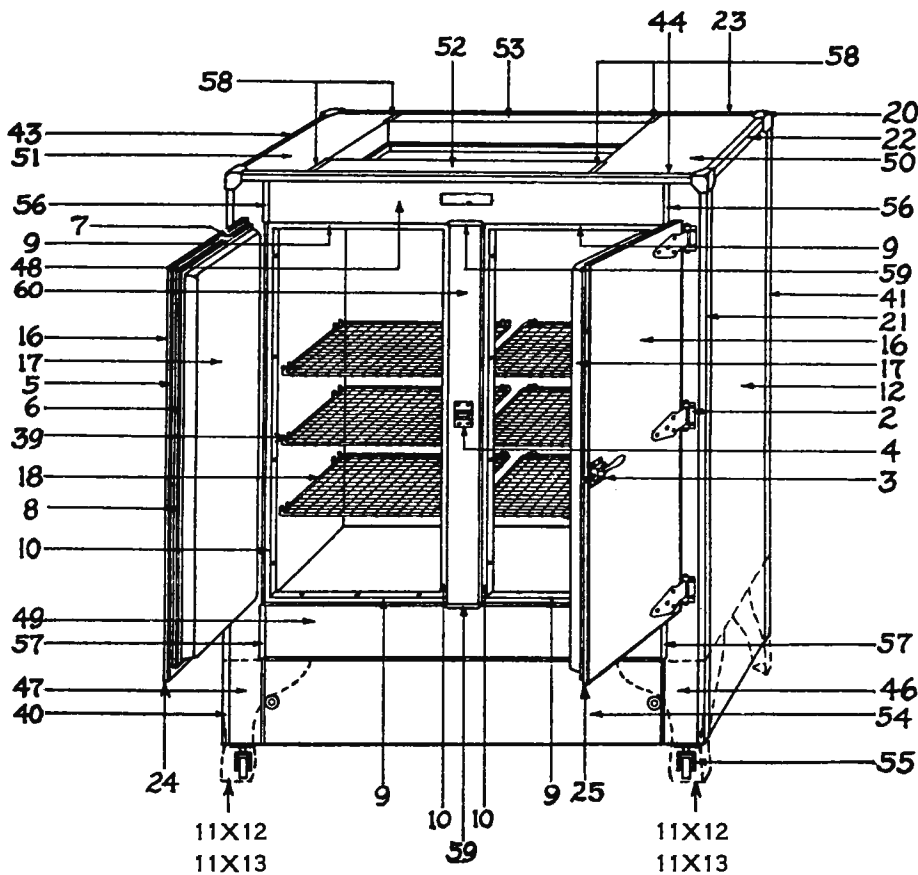
Name of Part	RL-95	PL-95	PL-13
Leg .....	11X12	*11X13	*11X13
Front Panel .....	RL95-11	PL95-11	PL13-11
Side Panel (Right) .....	RL95-12	PL95-12	PL13-12
Side Panel (Left) .....	RL95-45	PL95-45	PL13-45
Top Panel .....	RL95-13	PL95-13	PL13-13
Inner Liner .....	RL95-15	PL95-15	PL13-15
Outer Door Panel (Right and Left) .....	RL95-16	PL95-16	PL13-16
Inner Door Panel (Right and Left) .....	RL95-17	PL95-17	PL13-17
Metal Corner .....	RL95-20	PL95-20	PL13-20
Metal Stile (Right Front) .....	RL95-21	PL95-21	PL13-21

Name of Part	RL-95	PL-95	PL-13
Metal Stile (Left Front) .....	RL95-40	PL95-40	PL13-40
Metal Stile (Right Rear) .....	RL95-41	PL95-41	PL13-41
Metal Stile (Left Rear) .....	RL95-42	PL95-42	PL13-42
Metal Trim (Left Top) .....	RL95-22	PL95-22	PL13-22
Metal Trim (Top Rear) .....	RL95-23	PL95-23	PL13-23
Metal Trim (Right Top) .....	RL95-43	PL95-43	PL13-43
Metal Trim (Top Front) .....	RL95-44	PL95-44	PL13-44
Complete Door (Left) .....	RL95-24	PL95-24	PL13-24
Complete Door (Right) .....	RL95-25	PL95-25	PL13-25
Shelf Hooks .....	RL95-39	PL95-39	PL13-39
Liner Panel behind Center Mullion .....	RL95-60	PL95-60	PL13-60

\* Specify leg as unwiped.

Note: The accessories furnished depend on the unit used. Refer to Accessories Section.

Always Give Catalog Number



## Four Panel Front and Base Type—Two Door Porcelain or Lacquer Model

Order by part number,  
giving symbol and  
serial number  
of cabinet

Refer to last three pages  
of this section for informa-  
tion on Hardware, Shelves  
and Door Gaskets for these  
Cabinets.

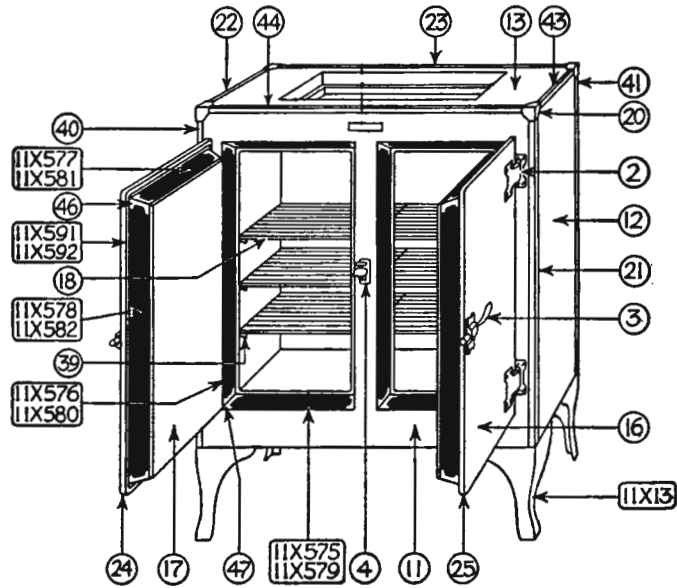
Name of Part	RB-9	R-9	PB-9	P-9	PB-12	P-12
Leg.....	11X12	11X12	*11X13	*11X13	*11X13	*11X13
Side Panel (Left).....	RB9-45	R9-45	PB9-45	P9-45	PB12-45	P12-45
Side Panel (Right).....	RB9-12	R9-12	PB9-12	P9-12	PB12-12	P12-12
Outer Door Panel.....	RB9-16	R9-16	PB9-16	P9-16	PB12-16	P12-16
Inner Door Panel.....	RB9-17	R9-17	PB9-17	P9-17	PB12-17	P12-17
Metal Corner.....	RB9-20	R9-20	PB9-20	P9-20	PB12-20	P12-20
Metal Stile (Right Front).....	RB9-21	R9-21	PB9-21	P9-21	PB12-21	P12-21
Metal Stile (Left Front).....	RB9-40	R9-40	PB9-40	P9-40	PB12-40	P12-40
Metal Stile (Right Rear).....	RB9-41	R9-41	PB9-41	P9-41	PB12-41	P12-41
Metal Stile (Left Rear).....	RB9-42	R9-42	PB9-42	P9-42	PB12-42	P12-42
Metal Trim (Right Top).....	RB9-22	R9-22	PB9-22	P9-22	PB12-22	P12-22
Metal Trim (Top Rear).....	RB9-23	R9-23	PB9-23	P9-23	PB12-23	P12-23
Metal Trim (Left Top).....	RB9-43	R9-43	PB9-43	P9-43	PB12-43	P12-43
Metal Trim (Top Front).....	RB9-44	R9-44	PB9-44	P9-44	PB12-44	P12-44
Complete Door (Left).....	RB9-24	R9-24	PB9-24	P9-24	PB12-24	P12-24
Complete Door (Right).....	RB9-25	R9-25	PB9-25	P9-25	PB12-25	P12-25
Shelf Hook.....	RB9-39	R9-39	PB9-39	P9-39	PB12-39	P12-39
Right Front Panel.....	RB9-46	R9-46	PB9-46	P9-46	PB12-46	P12-46
Left Front Panel.....	RB9-47	R9-47	PB9-47	P9-47	PB12-47	P12-47
Top Front Panel.....	RB9-48	R9-48	PB9-48	P9-48	PB12-48	P12-48
Bottom Front Panel.....	RB9-49	R9-49	PB9-49	P9-49	PB12-49	P12-49
Center Front Panel.....	RB9-60	R9-60	PB9-60	P9-60	PB12-60	P12-60
Right Top Plate.....	RB9-50	R9-50	PB9-50	P9-50	PB12-50	P12-50
Left Top Plate.....	RB9-51	R9-51	PB9-51	P9-51	PB12-51	P12-51
Front Top Plate.....	RB9-52	R9-52	PB9-52	P9-52	PB12-52	P12-52
Rear Top Plate.....	RB9-53	R9-53	PB9-53	P9-53	PB12-53	P12-53
Base.....	RB9-54	R9-54	PB9-54	P9-54	PB12-54	P12-54
Castor.....	RB9-55	.....	PB9-55	.....	PB12-55	.....
Upper Front Strap.....	RB9-56	R9-56	PB9-56	P9-56	PB12-56	P12-56
Lower Front Strap.....	RB9-57	R9-57	PB9-57	P9-57	PB12-57	P12-57
Top Horizontal Strap.....	RB9-58	R9-58	PB9-58	P9-58	PB12-58	P12-58
Center Front Strap.....	RB9-59	R9-59	PB9-59	P9-59	PB12-59	P12-59
Liner Panel behind Center Mullion.....	RB9-61	R9-61	PB9-61	P9-61	PB12-61	P12-61

\* Specify leg as unwiped.

Note: The accessories furnished depend on the unit used. Refer to Accessories Section.

Always Give Catalog Number

## P-110 and P-134—Cabinet Parts



Name of Part	P-110	P-134
Front Panel.....	P110-11	P134-11
Side Panel (Right).....	P110-12	P134-12
Side Panel (Left).....	P110-45	P134-45
Top Panel.....	P110-13	P134-13
Inner Liner.....	P110-15	P134-15
Outer Door Panel*.....	P110-16	P134-16
Inner Door Panel.....	P110-17	P134-17
Metal Corner.....	P110-20	P134-20
Metal Stile (Right Front).....	P110-21	P134-21
Metal Stile (Left Front).....	P110-40	P134-40
Metal Stile (Right Rear).....	P110-41	P134-41
Metal Stile (Left Rear).....	P110-42	P134-42
Metal Trim (Left Top).....	P110-22	P134-22
Metal Trim (Top Rear).....	P110-23	P134-23
Metal Trim (Right Top).....	P110-43	P134-43
Metal Trim (Top Front).....	P110-44	P134-44
Complete Door (Left).....	P110-24	P134-24
Complete Door (Right).....	P110-25	P134-25
Shelf Hooks.....	P110-39	P134-39

Name of Part	P-110	P-134
Door Corner.....	P110-46	P134-46
Door Jamb Corner.....	P110-47	P134-47
Liner Panel behind Center Mullion.....	P110-60	P134-60
Leg (Unwiped).....	11X13	11X13
Hinge (Nickel).....	11X311	.....
Latch (Nickel).....	11X418	11X418
Door Jamb Strip (Horizontal).....	11X575	11X579
Door Jamb Strip (Vertical).....	11X576	11X580
Door Strip (Horizontal).....	11X577	11X581
Door Strip (Vertical).....	11X578	11X582
Door Gasket Complete.....	11X591	11X592
Hinge (Chrome).....	11X790	11X518
Latch (Chrome).....	11X792	11X792
Strike (Chrome).....	H14X48	H14X48
Strike (Nickel).....	H14X49	H14X49
Sliding Shelf.....	H17X8	H17X11
Frame for Sliding Shelf.....	H17X9	H17X12
Shelf (Special Open End).....	H17X10	H17X13
Shelf.....	H17X129	H17X133
Set New Style Hardware.....	A1X1	A1X2

Note: PS-95 Cabinet has same replaceable parts as P-110, and PS-13 Cabinet has same replaceable parts as P-134.

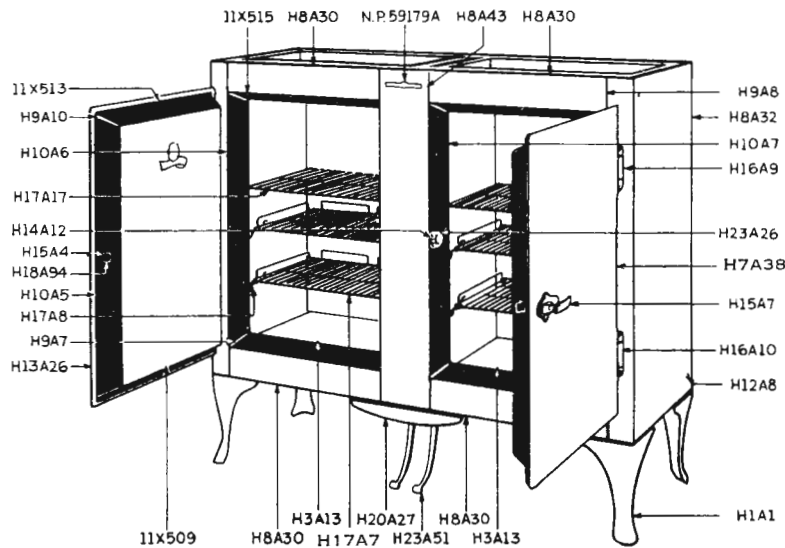
\* Specify if cloth or rubber button gasket used.

Note: The accessories furnished depend on the unit used. Refer to Accessories Section.

Always Give Catalog Number



## T-14A—Cabinet Parts



A1R32†	Accessories	H18A103	Tapping Strip for Door (Outer, Side)
H1A1	Leg	H19A4	Lamp Guard
H3A13	Inner Liner	H20A4	Rivet for Tapping Strip
H5A47	Insulation (Set)	H20A5	Washer between Hinge and Cabinet (0.134")
H6A13	Door Complete	H20A6	Screw for Nameplate Clip
H7A38	Outer Door Panel	H20A7	Washer between Hinge and Cabinet (0.020")
H8A30	Front Panel (Top or Bottom)	H20A8	Speed Nut for 49X563 or 49X564 Receptacle
H8A32	Side Panel	H20A9	Retaining Washer for 49X542 Receptacle
H8A43	Front Panel (Middle)	H20A10	Lock Nut for 49X542 Receptacle
H9A7	Door Jamb Corner	H20A26	Washer between Hinge and Cabinet (0.010")
H9A8	Metal Trim (Front)	H20A27	Apron
H9A10	Door Corner	H20A28	Support for Apron
H9A14	Metal Trim (Top)	H20A29	Base Plate (Front)
H10A5	Door Strip with Escutcheon Plate (Latch Side)	H20A30	Base Plate (Back)
H10A6	Door Jamb Strip (Hinge Side)	H20A31	Back Plate
H10A7	Door Jamb Strip (Latch Side)	H20A32	Spacer between Cabinets
H11A1	Tapping Strip for Inner Liner (Side)	H20A33	Plate Washer for 20X553 Cap Screw
H11A2	Tapping Strip for Inner Liner (Top or Bottom)	H20A34	Tension Spring for Top Trim
H11A3	Tapping Strip for Door (Inner, Side)	H20A35	Set of Parts Changing two T-7B to T-14A
H11A4	Tapping Strip for Door (Inner, Top or Bottom)	H23A24	Sealing Cup with Connecting Rod
H12A4	Screw for Sealing Cup and Gasket	H23A25	Connecting Rod (Upper)
H12A8	Screw for Side Panel	H23A26	Strike Case with Plunger (Right-Hand Cabinet)
H12A9	Cap Screw for Leg, Apron or Base Plate	H23A27	Strike Case with Plunger (Left-Hand Cabinet)
H12A10	Hardware Screw (except Strike)	H23A50	Foot Pedal Door Opener
H12A12	Screw for Back Plate	H23A51	Foot Pedal
H13A26	Rubber Door Gasket	H23A52	Lever for Right-Hand Foot Pedal
H13A36	Sponge Rubber Gasket for Side Panel	H23A53	Lever for Left-Hand Foot Pedal
H13A37	Sponge Rubber Gasket for Top or Bottom Panel	H23A54	Pivot Pin for Foot Pedal and Lever
H13A59	Gasket for Sealing Cup	H23A55	Spacer between Levers
H13A60	Gasket for 49X542 Receptacle	H23A56	Bracket for Foot Pedal and Lever
H13A72	Sponge Rubber Gasket between Halves of Cabinet	H23A57	Link between Lever and Connecting Rod
H14A12	Strike	110774	Cotter Pin for Pivot Pin
H15A4	Latch Bolt with Rivet	141259	Washer between Lever and Bracket
H15A7	Latch	150279	Washer for H12A12 Screw or 29X705 Nut
H15A49	Latch Handle Spring	165030	Screw for Foot Pedal and Lever
H15A54	Latch Handle Pin	1X452	Nut for 20X553 Cap Screw
H16A9	Hinge (Upper)	11X339	Screw for Door Strip, Door Jamb Strip, Strike or Front Panel
H16A10	Hinge (Lower)		
H17A7	Sliding Shelf	11X509	Inner Door Panel
H17A8	Frame for Sliding Shelf	11X513	Door Strip (Top or Bottom)
H17A17	Top Shelf	11X514	Door Strip (Hinge Side)
H18A18	Washer for H12A9 Cap Screw	11X515	Door Jamb Strip (Top or Bottom)
H18A19	Washer for Screw Fastening Front Panel in Position	11X517	Sponge Rubber Gasket for Inner Liner
H18A38	Washer for H12A8 Screw	20X553	Cap Screw for H20A32 Spacer
H18A39	Shim between Hinge and Door	29X705	Nut for Apron
H18A43	Fiber Washer for Leg or Base Plate	49X542	Flush Cup Receptacle with Leads
H18A54	Momentary Contact Switch with Leads	49X789	Light Receptacle
H18A90	Door Brace	54X511	Nut for 165030 Screw
H18A92	Rivet for Door Brace	NP59179B	Clip for Nameplate
H18A94	Escutcheon Plate for Door Strip (Latch Side)		
H18A102	Tapping Strip for Door (Outer, Top or Bottom)		

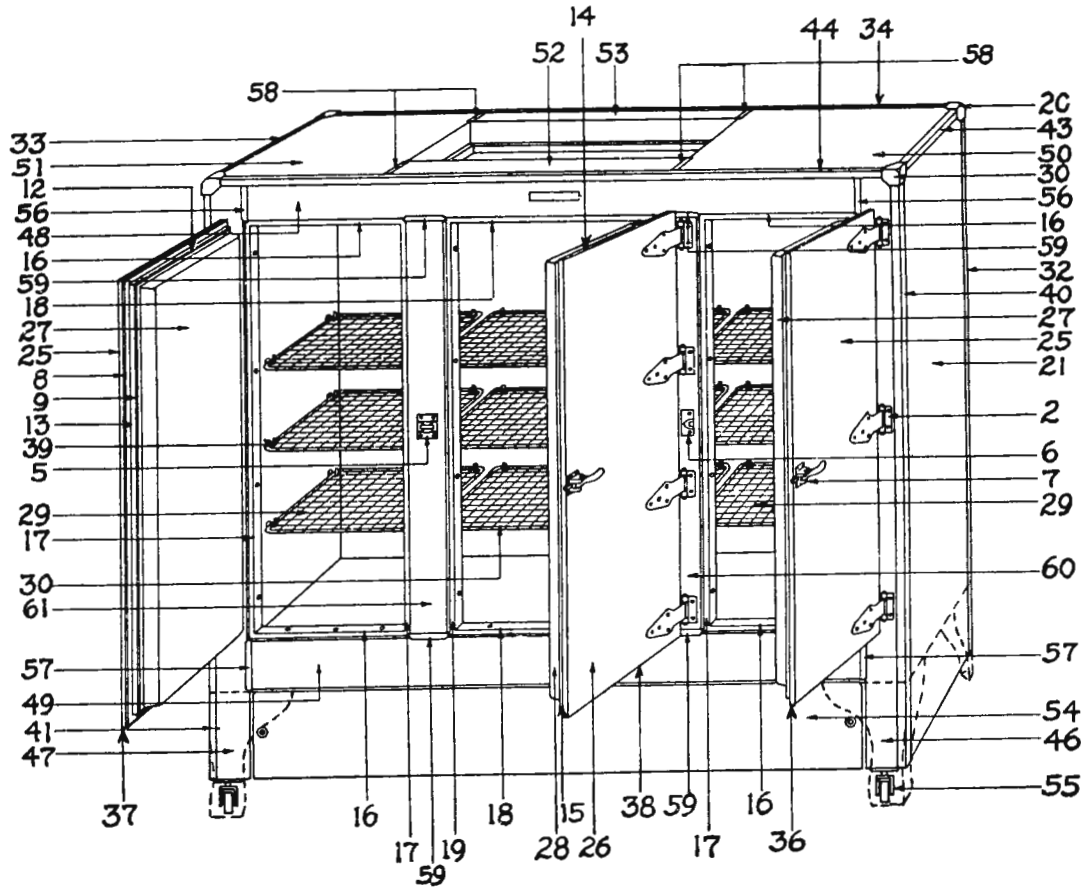
† Refer to Accessories Section for parts included.

Always Give Catalog Number

## Four Panel Front and Base Type Three Door Porcelain Model

Order by part number, giving symbol and serial number of cabinet

Refer to last three pages of this section for information on  
Hardware, Shelves and Door Gaskets for these Cabinets



Name of Part	PB-16	P-16
Side Panel (Right)	PB16-21	P16-21
Side Panel (Left)	PB16-45	P16-45
Outer Door Panel (End Door)	PB16-25	P16-25
Outer Door Panel (Center Door)	PB16-26	P16-26
Inner Door Panel (End Door)	PB16-27	P16-27
Inner Door Panel (Center Door)	PB16-28	P16-28
Metal Corner	PB16-31	P16-31
Metal Stile (Right Rear)	PB16-32	P16-32
Metal Stile (Right Front)	PB16-40	P16-40
Metal Stile (Left Front)	PB16-41	P16-41
Metal Stile (Left Rear)	PB16-42	P16-42
Metal Trim (Top Left)	PB16-33	P16-33
Metal Trim (Top Rear)	PB16-34	P16-34
Metal Trim (Top Right)	PB16-43	P16-43
Metal Trim (Top Front)	PB16-44	P16-44
Complete Door (Right)	PB16-36	P16-36
Complete Door (Left)	PB16-37	P16-37
Complete Door (Center)	PB16-38	P16-38

Name of Part	PB-16	P-16
Shelf Hook	PB16-39	P16-39
Right Front Panel	PB16-46	P16-46
Left Front Panel	PB16-47	P16-47
Top Front Panel	PB16-48	P16-48
Bottom Front Panel	PB16-49	P16-49
Right Center Front Panel	PB16-60	P16-60
Left Center Front Panel	PB16-61	P16-61
Right Top Plate	PB16-50	P16-50
Left Top Plate	PB16-51	P16-51
Top Front Plate	PB16-52	P16-52
Top Rear Plate	PB16-53	P16-53
Base	PB16-54	P16-54
Castor	PB16-55	P16-55
Upper Front Strap	PB16-56	P16-56
Lower Front Strap	PB16-57	P16-57
Top Horizontal Strap	PB16-58	P16-58
Center Front Strap	PB16-59	P16-59

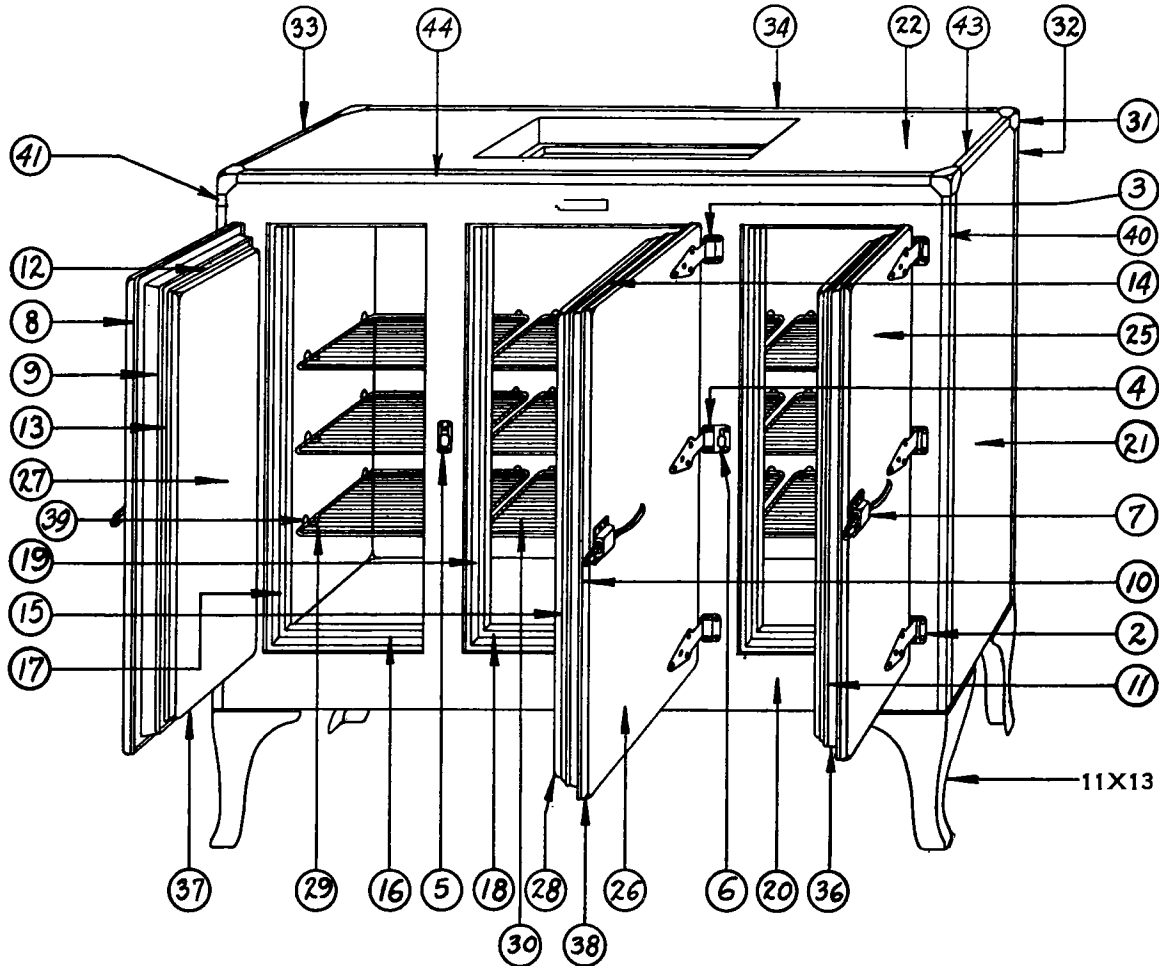
Note: The accessories furnished depend on the unit used. Refer to Accessories Section.

Always Give Catalog Number

## One Piece Front, Three Door Porcelain Model

Order by part number, giving symbol and serial number of cabinet

Refer to last three pages of this section for information on  
Hardware, Shelves and Door Gaskets for these Cabinets



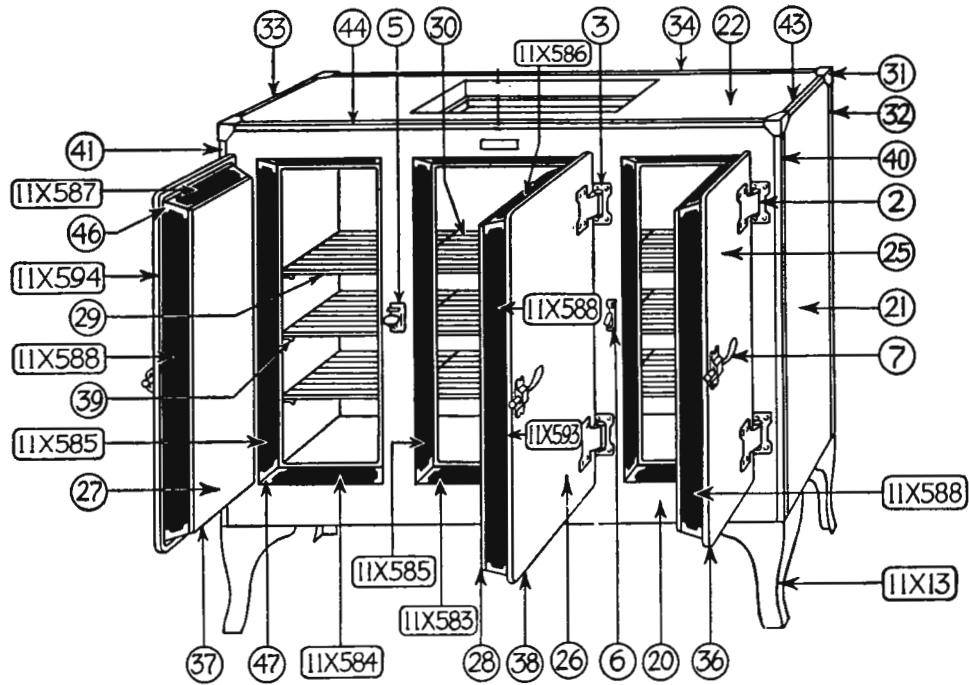
Name of Part	PL-17
Leg (Unwiped).....	11X13
Front Panel.....	PL17-20
Side Panel (Right).....	PL17-21
Side Panel (Left).....	PL17-45
Top Panel.....	PL17-22
Outer Door Panel (End Doors).....	PL17-25
Outer Door Panel (Center Door).....	PL17-26
Inner Door Panel (End Doors).....	PL17-27
Inner Door Panel (Center Door).....	PL17-28
Metal Corner.....	PL17-31
Metal Stile (Right Rear).....	PL17-32

Name of Part	PL-17
Metal Stile (Right Front).....	PL17-40
Metal Stile (Left Front).....	PL17-41
Metal Stile (Left Rear).....	PL17-42
Metal Trim (Top Left).....	PL17-33
Metal Trim (Top Rear).....	PL17-34
Metal Trim (Top Right).....	PL17-43
Metal Trim (Top Front).....	PL17-44
Complete Door (Right).....	PL17-36
Complete Door (Left).....	PL17-37
Complete Door (Center).....	PL17-38
Shelf Hook.....	PL17-39

Note: The accessories furnished depend on the unit used. Refer to Accessories Section.

Always Give Catalog Number

## P-170—Cabinet Parts



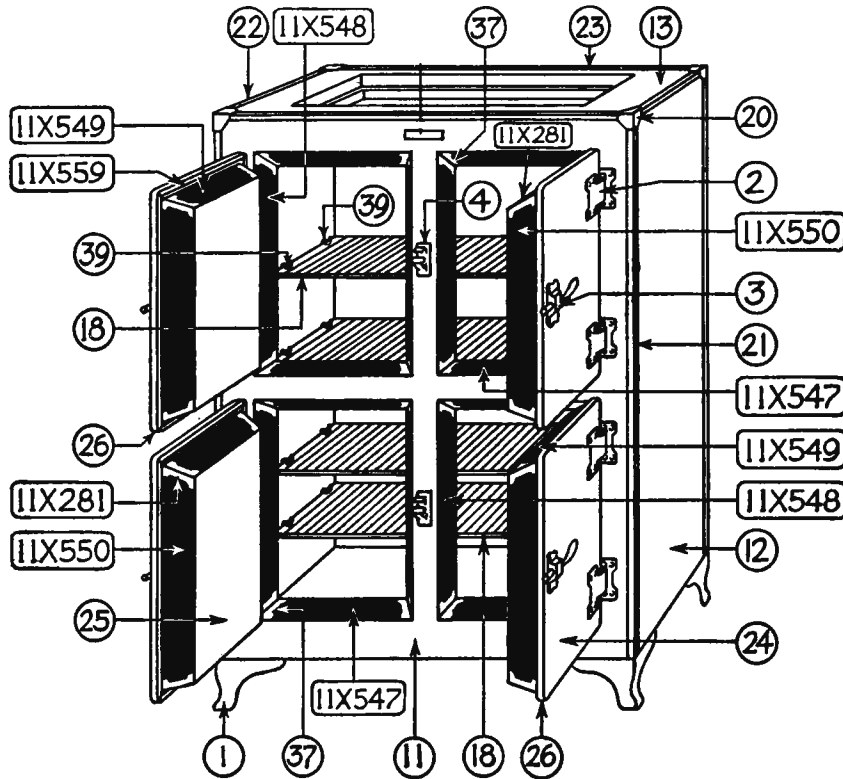
- |         |                           |         |                                      |
|---------|---------------------------|---------|--------------------------------------|
| P170-15 | Inner Liner               | P170-46 | Door Corner                          |
| P170-20 | Front Panel               | P170-47 | Door Jamb Corner                     |
| P170-21 | Side Panel (Right)        | 11X13   | Leg (Unwiped)                        |
| P170-22 | Top Panel                 | 11X315  | Strike (Single)                      |
| P170-25 | Outer Door Panel (End)    | 11X418  | Latch                                |
| P170-26 | Outer Door Panel (Center) | 11X518  | Hinge (End Doors)                    |
| P170-27 | Inner Door Panel (End)    | 11X583  | Door Jamb Strip (Center, Horizontal) |
| P170-28 | Inner Door Panel (Center) | 11X584  | Door Jamb Strip (End, Horizontal)    |
| P170-31 | Metal Corner              | 11X585  | Door Jamb Strip (Vertical)           |
| P170-32 | Metal Stile (Right Rear)  | 11X586  | Door Strip (Center, Horizontal)      |
| P170-33 | Metal Trim (Top Left)     | 11X587  | Door Strip (End, Horizontal)         |
| P170-34 | Metal Trim (Top Rear)     | 11X588  | Door Strip (Vertical)                |
| P170-36 | Complete Door (Right)     | 11X593  | Rubber Door Gasket (Center) 4 Pieces |
| P170-37 | Complete Door (Left)      | 11X594  | Rubber Door Gasket (End) 4 Pieces    |
| P170-38 | Complete Door (Center)    | H16X16  | Hinge (Center Door)                  |
| P170-39 | Shelf Hook                | H14X51  | Strike (Double)                      |
| P170-40 | Metal Stile (Right Front) | H17X14  | Sliding Shelf                        |
| P170-41 | Metal Stile (Left Front)  | H17X15  | Frame for Sliding Shelf              |
| P170-42 | Metal Stile (Left Rear)   | H17X16  | Shelf (Special Open End)             |
| P170-43 | Metal Trim (Top Right)    | H17X136 | Shelf (Large Standard)               |
| P170-44 | Metal Trim (Top Front)    | H17X137 | Shelf (Small Standard)               |
| P170-45 | Side Panel (Left)         |         |                                      |

N.B.—PS-17 Cabinet has same replaceable parts as P-170.

Note: The accessories furnished depend on the unit used. Refer to Accessories Section.

Always Give Catalog Number

## PS4-17, P4-180 and PS4-18—Cabinet Parts



Name of Part	PS4-17	P4-180	PS4-18
Leg.....	PS4-17-1	P4-180-1	PS4-18-1
Front Panel.....	PS4-17-11	P4-180-11	PS4-18-11
End Panel.....	PS4-17-12	P4-180-12	PS4-18-12
Top Panel.....	PS4-17-13	P4-180-13	PS4-18-13
Inner Liner.....	PS4-17-15	P4-180-15	PS4-18-15
Metal Corner.....	PS4-17-20	P4-180-20	PS4-18-20
Vertical Trim.....	PS4-17-21	P4-180-21	PS4-18-21
Top Horizontal Trim (Right and Left).....	PS4-17-22	P4-180-22	PS4-18-22
Top Horizontal Trim (Front and Rear).....	PS4-17-23	P4-180-23	PS4-18-23
Door Panel (Exterior).....	PS4-17-24	P4-180-24	PS4-18-24
Door Panel (Interior).....	PS4-17-25	P4-180-25	PS4-18-25
Door Complete.....	PS4-17-26	P4-180-26	PS4-18-26

Name of Part	PS4-17	P4-180	PS4-18
Door Jamb Corner.....	PS4-17-37	P4-180-37	PS4-18-37
Shelf Hook.....	PS4-17-39	P4-180-39	PS4-18-39
Door Corner.....	11X281	11X281	11X281
Door Jamb Strip (Horizontal)	11X547	11X547	11X547
Door Jamb Strip (Vertical)	11X548	11X548	11X548
Door Strip (Horizontal)....	11X549	11X549	11X549
Door Strip (Vertical).....	11X550	11X550	11X550
Rubber Door Gasket Complete.....	11X559	11X559	11X559
Hinge.....	11X790	11X790	11X721
Latch (Right Hand).....	11X792	11X792	11X716
Latch (Left Hand).....	11X792	11X792	11X717
Strike.....	H14X48	H14X48	11X720
Shelf.....	H17X138	H17X138	H17X139

Note: The accessories furnished depend on the unit used. Refer to Accessories Section.

Always Give Catalog Number

# HARDWARE, SHELVES and DOOR GASKETS

## For Single Door Vendor Type Household Cabinets

Cabinet Type	Manufacturer	Symbol	Serial Number	Hardware			Shelves		Door Gasket
				Latch	Strike	Hinge	*Top	Center or Lower	
S-3	Jewett	J	1 to 1000	H15X25	H14X69	H16X33(2)	H17X70	None	7 ft. No. 7 Miller
CS-45	Benjamin	-	1 up	H15X29	H14X30	H16X33(2)	H17X71	H17X102	8 ft. No. 2 1/2 Wirfs
P-4	Bohn	BS	1 to 21,000	H15X29	H14X33	H16X20(3)	H17X72	H17X103	8 ft. No. 2 1/2 Wirfs
P-4	Seeger	None	1 to 14,000	H15X29	H14X30	H16X25(3)	H17X73	H17X104	8 ft. No. 2 1/2 Wirfs
PS-45	Bohn	4B	32,001 to 33,000	H1X716(R) H1X717(L)	H1X718(R) H1X719(L)	H1X721(2)	H17X106	H17X106	H1X264
PS-45	Seeger	4S	22,001 to 23,000	H1X716(R) H1X717(L)	H1X718(R) H1X719(L)	H1X721(2)	H17X106	H17X106	H1X264
PB-5	Bohn	E	1 to 750	H15X25	H14X70	H16X35(3)	H17X78	H17X107	10 ft. No. 2 1/2 Wirfs
PB-5	Seeger	None	95,642 to 110,014	H15X37	H14X63	H16X25(3)	H17X76	H17X108	10 ft. No. 2 1/2 Wirfs
P-5	Leonard	LL	1 to 9642	H1X792	H1X419(L)	H1X311(2)	H17X116	H17X116	10 ft. No. 2 1/2 Wirfs
P-5	Jewett	JL	1 to 4051	H15X29	H14X41	H16X24(3)	H17X75	H17X109	10 ft. No. 2 1/2 Wirfs
P-5	Jewett	JL	4052 to 5680	H15X29	H14X40	H16X24(3)	H17X75	H17X109	10 ft. No. 2 1/2 Wirfs
P-5	Jewett	JL	See Note No. 1	H1X520	H14X56(R) H14X57(L)	H16X24(3)	H17X75	H17X109	10 ft. No. 2 1/2 Wirfs
P-5	Jewett	JL	See Note No. 2	H1X792	H14X46(R) H1X419(L)	H1X311(2)	H17X75	H17X109	10 ft. No. 2 1/2 Wirfs
P-5	Bohn	B	1 to 6614	H1X792	H14X46(R) H1X419(L)	H1X311(2)	H17X74	H17X110	10 ft. No. 2 1/2 Wirfs
P-5	Seeger (1927)	CL	1 to 3700	H15X37	H14X63	H16X25(3)	H17X76	H17X108	10 ft. No. 2 1/2 Wirfs
P-5	Seeger (1928)	None	1 to 5052	H15X29	H14X30	H16X25(3)	H17X77	H17X111	10 ft. No. 2 1/2 Wirfs
PS-5	Bohn	SB	6615 to 9228	H1X792	H14X46(R) H1X419(L)	H1X311(2)	+H17X110	H17X110	H1X589
PS-5	Bohn	SB	9228 and up	H1X792	H14X46(R) H14X47(L)	H1X790(2)	+H17X110	H17X110	H1X589
PS-55	Bohn	SB	33,001 to 36,000	H1X716(R) H1X717(L)	H1X718(R) H1X719(L)	H1X721(2)	H17X110	H17X110	H1X589
P-55-S	Seeger	None	24,001 to 24,500	H1X716(R) H1X717(L)	H1X718(R) H1X719(L)	H1X721(2)	H17X112	H17X112	**H1X589
R-5	Heintz	HL	1 to 3248	H15X24	H14X21	H16X31(2)	H17X79	H17X113	H1X265
R-5	Heintz	HL	3249 to 5000	H15X24	H14X22	H16X31(2)	H17X79	H17X113	H1X265
RB-5	Harder	D	1 to 102	H15X25(R) H15X26(L)	H14X23	H16X24(3)	H17X80	H17X114	10 ft. No. 2 1/2 Wirfs
RB-5	Harder	RB	102 and up	H15X25(R) H15X26(L)	H14X23	H16X24(3)	H17X80	H17X114	10 ft. No. 2 1/2 Wirfs
RS-5	Edison	N5EL	6331 to 12,000	H15X29	H14X27	H16X30(2)	H17X81	H17X115	H1X323
RT-5	Jewett	JL	1 to 2000	H15X29	H14X40	H16X26(3)	H17X75	H17X109	10 ft. No. 2 1/2 Wirfs
RT-5	Puffer-Hubbard	PT	1 to 10,238	H15X29	H14X40	H16X24(3)	H17X84	H17X117	10 ft. No. 2 1/2 Wirfs
RT-5	Puffer-Hubbard	PT	10,239 to 14,000	H1X792	H14X46(R) H1X419(L)	H1X311(2)	H17X84	H17X117	10 ft. No. 2 1/2 Wirfs
S-5	Edison	N5EL	1 to 3139 and 4001 to 5000	H15X37(C)	H14X59(N) H14X60(C)	H16X28(C)(2)	H17X82	H17X118	12 1/2 ft. No. 2 1/2 Wirfs
S-5	Edison	N5EL	3140 to 4000 & 5001 to 6330	H15X35(C)	H14X61(N) H14X62(C)	H16X28(C)(2)	H17X82	H17X118	12 1/2 ft. No. 2 1/2 Wirfs
PS-6	Bohn	SB	10,001 and up	H1X792	H14X46(R) H14X47(L)	H1X790(2)	H17X29	H17X29	H1X589
P-63	Bohn	None	50,001 to 52,000	H1X716(R) H1X717(L)	H1X718(R) H1X719(L)	H1X721(2)	H17X29	H17X20(S) H17X7(F)	H1X589
P-7	Leonard	LL	1 to 5204	H1X520	H1X522(L)	H1X518(2)	H17X119	H17X119	11 ft. No. 2 1/2 Wirfs
P-7	Bohn	B	1 to 1033	H15X29	H14X33	H16X20(3)	H17X40	H17X120	11 ft. No. 2 1/2 Wirfs
P-7	Bohn	B	1034 to 3268 3801 to 3852	H1X520	H14X54(R) H14X55(L)	H16X20(3)	H17X40	H17X120	11 ft. No. 2 1/2 Wirfs
P-7	Bohn	B	3269 to 3800 3853 to 7383	H1X520	H1X521(R) H1X522(L)	H1X518(2)	H17X40	H17X120	11 ft. No. 2 1/2 Wirfs
P-7	Seeger	CL	1 to 3900	H15X37	H14X63	H16X25(3)	H17X42	H17X121	10 ft. No. 2 1/2 Wirfs
PB-7	Seeger	CB	1 to 300	H15X37	H14X63	H16X25(3)	H17X42	H17X121	10 ft. No. 2 1/2 Wirfs
PS-7	Bohn	SB	7384 up	H1X520(C)	H1X522(C)(L)	H1X518(C)(2)	H17X120	H17X120	H1X590
R-7	Heintz	HL	1 to 965	H15X24	H14X21	H16X31(2)	H17X42	H17X122	H1X265
R-7	Heintz	HL	966 to 3502	H15X24	H14X22	H16X31(2)	H17X42	H17X122	H1X265
R-7	Heintz	HL	3503 to 5000	H15X29	H14X30	H16X31(2)	H17X42	H17X122	H1X265
RB-7	Erie Art Metal	AB	1 to 1000	H15X32	H14X58	H16X32(3)	H17X48	H17X123	10 ft. No. 2 1/2 Wirfs
RT-7	Erie Art Metal	AL	1 to 5234	H15X32	H14X58	H16X32(3)	H17X48	H17X123	10 ft. No. 2 1/2 Wirfs
RT-7	Erie Art Metal	AL	5235 to 5275	H15X29	H14X40	H16X24(3)	H17X48	H17X123	10 ft. No. 2 1/2 Wirfs
RT-7	Erie Art Metal	AL	5276 to 8700	H1X520	H14X56(R) H14X57(L)	H16X24(3)	H17X48	H17X123	10 ft. No. 2 1/2 Wirfs
RT-7	Bohn	BL	1 to 400	H15X29	H14X33	H16X20(3)	H17X40	H17X120	11 ft. No. 2 1/2 Wirfs
RT-7	Bohn	BL	401 to 1750	H1X520	H14X54(R) H14X55(L)	H16X20(3)	H17X40	H17X120	11 ft. No. 2 1/2 Wirfs

Always Give Catalog Number

## HARDWARE, SHELVES and DOOR GASKETS

### For Single Door Vendor Type Household Cabinets (Cont.)

Cabinet Type	Manufacturer	Symbol	Serial Number	Hardware			Shelves		Door Gasket
				Latch	Strike	Hinge	*Top	Center or Lower	
RT-7	Jewett	JL	1 to 3799	H15X29	▲H14X40	H16X24(3)	H17X47	H17X124	11 ft. No. 7 Miller
RT-7	Jewett	JL	3800 to 9000	11X520	H14X56(R) H14X57(L)	H16X24(3)	H17X47	H17X124	11 ft. No. 7 Miller
PS-8	Seeger	None	22,001 to 23,000	11X722(R) 11X723(L)	11X724(R) 11X725(L)	11X727	H17X125	H17X125	11X590
P-83	Seeger	None	22,001 to 23,000	11X722(R) 11X723(L)	11X724(R) 11X725(L)	11X727	H17X125	H17X126(S) H17X127(F)	11X590

Letters in ( ) following Catalog No. indicate, R=Right Hand, L=Left Hand, M=Nickel Finish, C=Chrome Finish, S=Sliding Shelf, F=Sliding Shelf Frame.

Numbers in ( ) following Catalog No. indicate quantity per cabinet.

Note No. 1 - Serial 5681 to 6914, 6993, 6995 to 6997, 7020 to 7026, 7061, 7229 to 7232, 7773 to 7798, 8849, 8853 to 8882, 8884 to 8939.

Note No. 2 - Serial 6915 to 6992, 6994, 6998 to 7019, 7027, 7028, 7030 to 7060, 7062 to 7228, 7233 to 7772, 7799 to 8846, 8850 to 8852, 8883, 8940 to 9000.

Note No. 3 - Seeger Cabinets, regardless of type, with serial numbers 95,913 to 115,319 are reconditioned cabinets.

Note No. 4 - Latch Catalog No. H15X44 used in few cases on Seeger Cabinets instead of Latch Catalog No. H15X36.

\* All top shelves are straight with offset on end when required.

† Some cabinets require Catalog No. H14X68 Strike with 3-hole base.

§ Cabinets with serial number 1 to 375 use Symbol PL.

‡ 2½ Wirfs Gasket also used.

+ Catalog No. H17X74 Shelf also used.

\*\* Catalog No. H13X18 Black Rubber Gasket also used.

• Use Catalog No. H17A14 Top Shelf with DRB-31B Unit.

• Catalog No. H15X33 Latch with long roller arm also used.

▲ Catalog No. H14X41 used on few cabinets.

◆ Old draw bolt hardware can be replaced by substituting H15X31 Latch with Adapter Plate for H15X24 Latch, and H14X44 Strike with Adapter Plate for H14X21 Strike, and H14X45 Strike with Adapter Plate for H14X22 Strike. When changing Latch, Strike must also be changed. Hardware Screw 58X179 also available for these cabinets.

Always Give Catalog Number

# HARDWARE, SHELVES and DOOR GASKETS

## For Two, Three and Four Door Vendor Type Household Cabinets

Cabinet Type	Manufacturer	Sym- bol	Serial Number	Hardware			Shelves	Door Gasket
				Latch	Strike	Hinge		
PB-9	Seeger	CT	1 to 33	H15X37(2)	H14X65	H16X25(6)	H17X128	9 ft. No. 2½ Wirfs
P-9, PL-95	Seeger	CF	1 to 2961	H15X37(2)	H14X65	H16X25(6)	H17X128	9 ft. No. 2½ Wirfs
PL-95	Bohn	B	1 to 3838 4040 to 4055	H15X29(2)	H14X34	H16X20(6)	H17X129	9 ft. No. 2½ Wirfs
PL-95	Bohn	B	3839 to 4039 4056 to 10,694	H1X792(2)	*H14X50	H1X311(4)	H17X129	9 ft. No. 2½ Wirfs
PS-95 & P-110	Bohn	SB	10,695 up	H1X792(C)(2)	H14X49(N) H14X48(C)	H1X311(N)(4) H1X790(C)(4)	§H17X129	†H1X591
RB-9	Erie Art Metal	AB	1 to 1000	H15X30(2)	H14X43	H16X32(6)	H17X130	9 ft. No. 2½ Wirfs
RB-9	Puffer-Hubbard	PF	1 to 1756	H15X37(2)	H14X67	H16X25(6)	H17X128	9 ft. No. 2½ Wirfs
RL-95	Erie Art Metal	AL	1 to 1000	H15X30(2)	H14X43	H16X32(6)	H17X130	9 ft. No. 2½ Wirfs
RL-95	Bohn	BL	1 to 4750	H15X29(2)	H14X34	H16X20(6)	H17X129	9 ft. No. 2½ Wirfs
RL-95	Bohn	BL	4751 to 4999	H15X29(2)	H14X39	H1X311(4)	H17X129	9 ft. No. 2½ Wirfs
RL-95	Bohn	BL	5000 to 6000	H1X792(2)	H14X50	H1X311(4)	H17X129	9 ft. No. 2½ Wirfs
RL-95	Puffer-Hubbard	PF	1757 to 2611	H15X37(2)	H14X67	H16X25(6)	H17X128	9 ft. No. 2½ Wirfs
D-13	Puffer-Hubbard	None	1 to 575	H15X29(2)	H14X42	H16X24(6)	H17X131	10 ft. No. 2½ Wirfs
PB-12	Seeger	CT	1 to 30	H15X37(2)	H14X65	H16X25(6)	H17X132	10 ft. No. 2½ Wirfs
P-12, PL-13	Seeger	CF	1 to 2637	H15X37(2)	H14X65	H16X25(6)	H17X132	10 ft. No. 2½ Wirfs
PL-13	Bohn	B	1 to 2006	H15X29(2)	H14X34	H16X20(6)	H17X133	10 ft. No. 2½ Wirfs
PL-13	Bohn	B	2007 to 2037 2251 to 2771	H15X29(2)	H14X39	H1X518(4)	H17X133	10 ft. No. 2½ Wirfs
PL-13	Bohn	B	2038 to 2250 2772 to 6619	H1X792(2)	H14X50	H1X518(4)	H17X133	10 ft. No. 2½ Wirfs
PS-13 & P-134	Bohn	SB	6620 and up	H1X792(C)(2)	H14X49(N) H14X48(C)	H1X518(C)(4)	§H17X133	†H1X592
PB-16	Seeger	CT	1 to 20	H15X37(3)	H14X65(D) H14X63(S)	H16X25(10)	H17X134(A) H17X135(B)	10 ft. No. 2½ Wirfs
P-16, PL-17	Seeger	CF	1 to 1376	H15X37(3)	H14X65(D)† H14X63(S)	H16X25(10)	H17X134(A) H17X135(B)	10 ft. No. 2½ Wirfs
PL-17	Bohn	B	1 to 2138	H15X29(3)	H14X35(D) H14X32(S)	H16X20(E)(6) H16X21(T)(2) H16X22(M)(1)	H17X136(A) H17X137(B)	10 ft. No. 2½ Wirfs
PL-17	Bohn	B	2139 to 5097	H1X792(3)	H14X51(D) H14X46(S)	H1X518(E)(4) H16X16(T)(2)	H17X136(A) H17X137(B)	10 ft. No. 2½ Wirfs
PS-17 & P-170	Bohn	SB	5098 and up	H1X792(3)	H14X51(D) H14X46(S)	H1X518(E)(4) H16X16(T)(2)	§H17X136(A) §H17X137(B)	†H1X593(X) †H1X594(Y)
PS4-17 & P4-180	Bohn	SB	15,000 and up 52,001 and up	H1X792(4)	H14X48(2)	H1X790(B)	H17X138	H1X559
PS4-18	Seeger	None	23,001 to 23,250	H1X716(R)(2) H1X717(L)(2)	H1X720(2)	H1X721(8)	H17X139	H1X559

Letters in ( ) following Catalog No. indicate, A=Large Shelf, B=Small Shelf, D=Double Strike, S=Single Strike, R=Right Hand, L=Left Hand, N=Nickel Finish, C=Chrome Finish, E=End Doors, T=Top and Bottom of Center Door, M=Center of Center Door, X=Large Door, Y=Small Door.

Numbers in ( ) following Catalog No. indicate quantity per cabinet.

Note No. 1 - Seeger Cabinets, regardless of type, with serial numbers 95,913 to 115,319 are reconditioned cabinets.

Note No. 2 - Order parts for Jewett Delux Cabinets (DX-75, DX-10, DX-14, DX-18) direct from Jewett Refr. Co., Buffalo, N.Y.

Note No. 3 - Latch Catalog No. H15X44 used in few cases on Seeger Cabinets instead of Latch Catalog No. H15X36.

\* Catalog No. H14X49 Strike can be used.

† No. 507 Bosley Gasket also used.

§ Refer to pages 39 and 43 for Sliding Shelves.

‡ Catalog No. H14X67 Strike used on few Cabinets of this type.

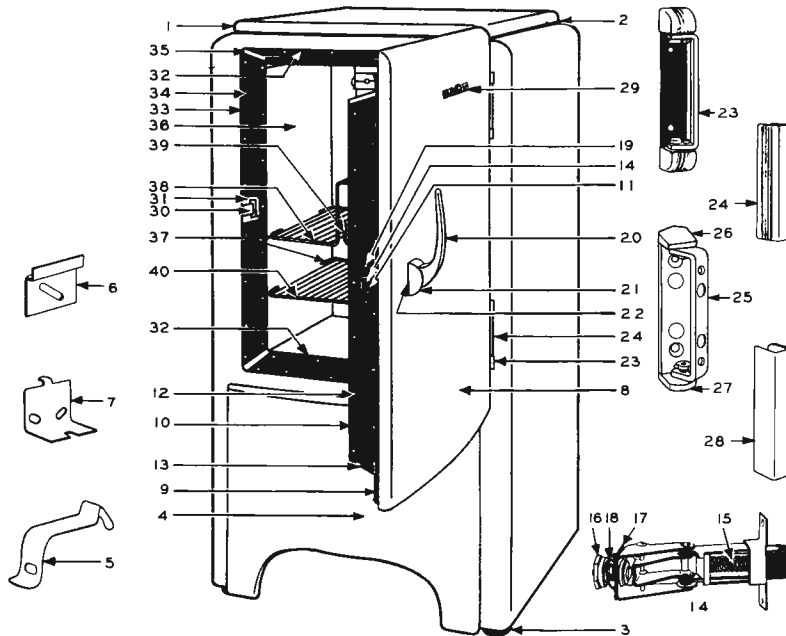
Always Give Catalog Number



1940 CABINETS

# LB3A, LB3-40A, LB3B, LB3C

FOR REFRIGERATING MACHINE PARTS REFER TO CJ1D UNIT FOR LB3A OR LB3-40A, AND CJ-1E UNIT FOR LB3B OR LB3C



### Accessories

Qunt.	Cnt. No.		Description
	LB3A LB3-40A	LB3B LB3C	
1	A4R7	A4R7	Chiller Tray
2	A5R17	†A5R23	Freezing Tray
1	A2OR7	A21R229	Separator Release for Freezing Tray

† Model LB3C is equipped with 1 Cat. A5R23 freezing tray.

### Cabinet Parts

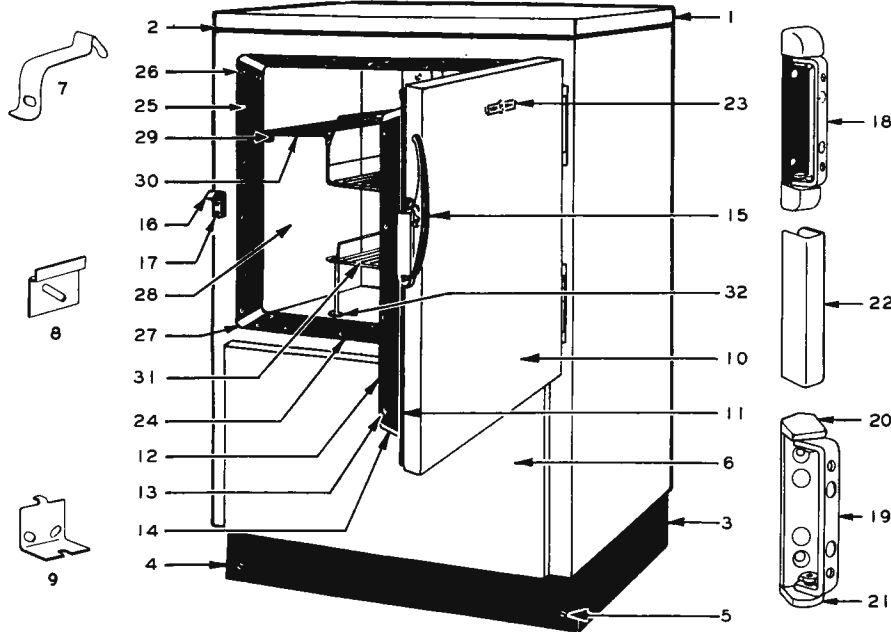
Ref. No.	Cnt. No.		Description
	LB3A LB3-40A	LB3B LB3C	
1	H4A49	H4A49	TOP COVER FOR CABINET
2	H13A151	H13A151	Gasket for top cover
	H20A336	H20A336	Clip for top cover, front
	H20A162	H20A162	Clip for top cover, back
	H20A86	H20A86	Screw for Cat. H20A336 (10-30)
	91X648	91X648	Screw for Cat. H20A162 or refrigerant line sealing plate (No. 8)
	69X893	98X582	Screw fastening condenser to outer case, upper (No.10)
	-	165736	Washer for Cat. 98X582
	-	H20A530	Spacer between condenser and outer case
	H20A243	H20A243	Rubber spacer for back of condenser
	H20A62	H20A62	Screw fastening spacer to condenser (No. 8)
	80X132	80X132	Washer for Cat. H20A62
	58X366	58X366	Screw fastening condenser to outer case, lower (5/16 in.-18)
	261646	261646	Screw fastening refrigerator machine to angle support (5/16 in.-18)
	177811	177811	Nut for Cat. 261646 or 58X366
	H18A22	H18A22	Washer for Cat. 261646 or 58X366
3	A2R9	A2R9	Glider for outer case
	48X242	48X242	Cap screw for glider (1/4 in.-20)
	H20A160	H20A160	Speed nut for Cat. 48X242
4	H6A209	H6A209	LOWER DOOR PANEL
5	H20A245	H20A245	Spring clip for Cat. H6A209
	105113	58X375	Screw for Cat. H20A245
	200384	-	Nut for Cat. 105113
	-	H11A200	Tapping strip for Cat. 58X375
	165736	165736	Washer for Cat. 105113 or 58X375
	H20A242	H20A242	Rubber button spacer for lower door panel
6	H20A181	H20A181	Support for lower door panel
	H20A49	58X376	Screw for Cat. H20A181 (No. 8)
	H20A240	H20A240	Washer for Cat. H20A49 or 58X376
7	H20A239	H20A239	Catch for spring clip Cat. H20A245
	91X648	91X648	Screw for Cat. H20A239 (No. 8)
8	-	-	DOOR FOR CABINET
	H7A191	H7A191	Outer door panel (right-hand cabinet)
	H7A192	H7A192	Outer door panel (left-hand cabinet)
9	H13A194	H13A194	Door gasket
	H10A140	H10A140	Door strip, hinge side
	H10A33	H10A33	Door strip, top or bottom
	H10A141	H10A141	Door strip, latch side, with escutcheon for latch bolt
11	H15A41	H15A41	Escutcheon for latch bolt
12	H12X2	*H12X2	Screw for door strip, aluminum (10-30)
	-	*11X339	Screw for door strip, stainless steel (10-30)
13	H9A10	H9A10	Door corner

Ref. No.	Cnt. No.		Description
	LB3A LB3-40A	LB3B LB3C	
	H7A193	H7A193	Inner door panel
14	H15A61	H15A61	Latch with gasket, nut, and lockwasher
15	H15A44	H15A44	Spring for latch
16	H15A45	H15A45	Nut for latch and handle
17	H13A148	H13A148	Gasket between latch and outer door panel
18	H20A117	H20A117	Lockwasher for Cat. H15A45
19	11X339	11X339	Screw fastening latch to door strip (10-30)
20	H15A62	H15A62	Latch handle without escutcheon
21	H15A47	H15A85	Escutcheon for latch handle
22	H13A149	H13A149	Gasket between latch handle and door panel
23	H16A49	-	Hinge without cover
24	H16A50	-	Cover for Cat. H16A49 hinge
25	-	H16A71	Hinge without cover
26	-	H16A74	End cap for hinge, top, RH cab. or bottom, LH cab.
27	-	H16A75	End cap for hinge, bottom, RH cab. or top, LH cab.
28	-	H16A38	Cover for Cat. H16A71 Hinge
	H20A47	H20A47	Screw fastening hinge to outer door panel (12-28)
	H20A386	H20A386	Screw fastening hinge to cabinet (12-28)
29	NP66086A	NP66086A	Nameplate
	NP66086B	NP66086B	Clip for nameplate
	H20A6	H20A6	Screw for nameplate clip (4-48)
30	H14A22	H14A22	Strike for latch bolt
31	H14A20	H14A20	Strike case
	11X339	11X339	Screw for strike (10-30)
	58X310	58X310	Lockwasher for Cat. 11X339
32	H10A34	H10A34	Door jamb strip, top or bottom
	H10A138	H10A138	Door jamb strip, hinge side
33	H10A139	H10A139	Door jamb strip, latch side
34	H12X2	*H12X2	Screw for door jamb strip, aluminum (10-30)
35	-	*11X339	Screw for door jamb strip, stainless steel (10-30)
36	H3A110	H3A110	Door jamb corner
	H9A27	H9A27	INNER LINER WITH SHELF SUPPORTS
37	H17A89	H17A89	Shelf support, straight (1/2 in. long)
	H12A2	H12A2	Screw for shelf support (1/4 in.-20)
	H20A110	H20A110	Rubber plug for inner liner cover
	105136	105136	Screw fastening inner liner cover to inner liner (10-32)
	200384	200384	Nut for Cat. 105136
	H20A380	H20A380	Metal washer for Cat. 105136
	H20A255	H20A255	Fiber washer for Cat. 105136
	H20A282	H20A282	Bracket for ice tray separator release
	91X648	91X648	Screw for Cat. H20A282 (No. 8)
38	H17A214	H17A214	Shelf, top
39	H17A215	H17A215	Shelf, top removable
40	H17A128	H17A128	Shelf, bottom
	H5X20	H5X20	Cabinet insulation (Kimsul, 18' roll)

\* Some cabinets used aluminum screws (H12X2) and others used stainless steel screws (11X339). Replace with a like type as the appearance of the two screws is different.

# B3A, B3-40A, B3B, B3C

FOR REFRIGERATING MACHINE PARTS REFER TO CH-1D UNIT FOR B3A OR B3-40A, AND TO CH-1E UNIT FOR B3B OR B3C



## Accessories

Quan.	Cat. No.		Description
	B3A B3-40A	B3B B3C	
1	A4R7	A4R7	Chiller tray
2	A5R17	A5R23	Freezing tray
1	A20R7	A21R229	Separator release for freezing tray

† Model B3C is equipped with 1 Cat. A5R23 freezing tray.

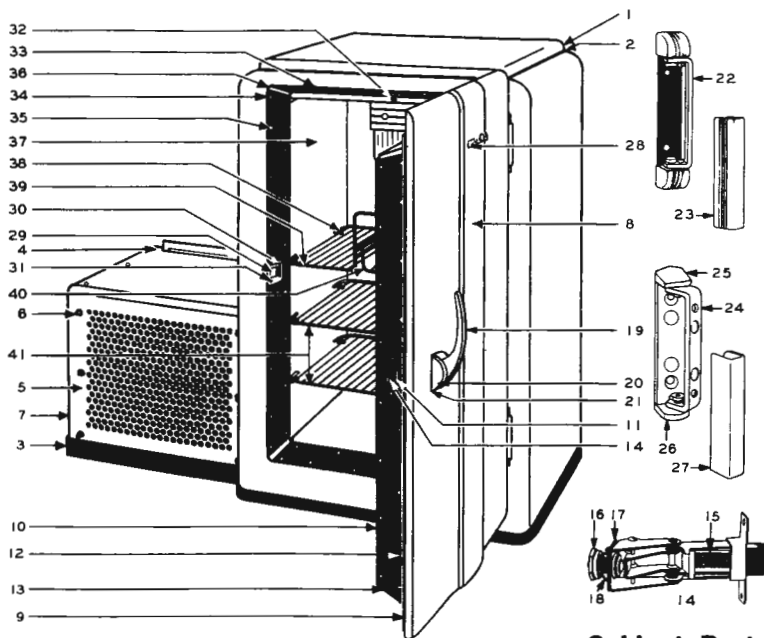
## Cabinet Parts

Ref. No.	Cat. No.		Description	Ref. No.	Cat. No.		Description
	B3A B3-40A	B3B B3C			B3A B3-40A	B3B B3C	
1	H4A43	H4A43	TOP COVER FOR CABINET	13	H12X2	*H12X2	Screw for door strip, aluminum (10-30)
2	H13A171	H13A171	Gasket for Cat. H4A43	13	-	*11X339	Screw for door strip, stainless steel (10-30)
	H20A234	H20A234	Clip for top cover, front	14	H9A30	H9A30	Door corner
	H20A162	H20A162	Clip for top cover, back		H7A159	H7A159	Inner door panel
	H20A86	H20A86	Screw for Cat. H20A234 (10-30)	15	H15A57	H15A57	Latch with handle for right-hand cabinet
	91X648	91X648	Screw for Cat. H20A162 or refrigerant line sealing plate (No. 8)		H15A58	H15A58	Latch with handle for left-hand cabinet
	69X893	98X582	Screw fastening condenser to outer case (No. 10)	16	H14A21	H14A21	Strike for latch bolt
	-	I65736	Washer for Cat. 98X582		H13A172	H13A172	Shim for strike
	-	H20A530	Spacer between condenser and outer case	17	H20A47	H20A366	Screw for strike (12-28)
	H20A243	H20A243	Rubber spacer for back of condenser	18	H16A37	-	Hinge without cover
	H20A62	58X376	Screw fastening spacer to condenser (No. 8)	19	-	H16A71	Hinge without cover
	80X132	80X132	Washer for Cat. H20A62 or 58X376	20	-	H16A74	End cap for hinge, top, RH cab. or bottom, LH cab.
3	H27A39	H27A39	BASE	21	-	H16A75	End cap for hinge, bottom, RH cab. or top, LH cab.
	279364	279364	Cap screw fastening condenser to base (5/16 in.-18)	22	H16A38	H16A38	Cover for Cat. H16A37 or H16A71 hinge
	I77811	I77811	Nut for Cat. 279364		H20A47	H20A47	Screw for latch, or fastening hinge to outer door panel (12-28)
	H18A18	H18A18	Washer for Cat. 279364		H20A386	H20A386	Screw fastening hinge to cabinet (12-28)
	20X536	20X536	Cap screw fastening outer case to base (1/4 in.-20)	23	NP66086A	NP67857A	Nameplate
	I2X540	I4X52	Nut for Cat. 20X536	23	NP66086B	NP67857B	Clip for nameplate
	I60980	I60980	Washer for Cat. 20X536		H20A6	H20A6	Screw for nameplate clip (4-48)
	261646	261646	Cap screw fastening refrigerating machine to base (5/16 in.-18)	24	H10A107	H10A107	Door jamb strip, top or bottom
	I77811	I77811	Nut for Cat. 261646	25	H10A108	H10A108	Door jamb strip, side
	H18A22	H18A22	Washer for Cat. 261646	26	H12X2	*H12X2	Screw for door jamb strip, aluminum (10-30)
4	H28A28	H28A28	Skirt for base	26	-	*11X339	Screw for door jamb strip, stainless steel (10-30)
	I1X339	I1X339	Screw for Cat. H28A28 (10-30)	27	H10A109	H10A109	Door jamb corner
	I79789	I79789	Washer for Cat. I1X339	28	H3A93	H3A93	INNER LINER WITH SHELF SUPPORTS
5	H6A157	H6A157	LOWER DOOR PANEL		H20A192	H20A192	Top plate
	H20A241	H20A241	Spring clip for Cat. H6A157		I05136	I05136	Screw for Cat. H20A192
	I05113	58X375	Screw for Cat. H20A241		200384	200384	Nut for Cat. I05136
	-	H11A200	Tapping strip for Cat. 58X375		H20A380	H20A380	Washer for Cat. I05136
	200384	-	Nut for Cat. I05113	29	H17A122	H17A122	Shelf support, straight
	I65736	I65736	Washer for Cat. I05113 or 58X375		H17A90	H17A90	Shelf support, headed
	H20A242	H20A242	Rubber button spacer for lower door panel		H12A2	H12A2	Screw for shelf support (1/4 in.-20)
8	H20A181	H20A181	Support for lower door panel		H20A110	H20A110	Rubber plug for inner liner cover
	H20A49	58X376	Screw for Cat. H20A181 (No. 8)		I05136	I05136	Screw fastening inner liner cover to inner liner (10-32)
	H20A240	H20A240	Washer for Cat. H20A49 or 58X376		200384	200384	Nut for Cat. I05136
9	H20A239	H20A239	Catch for spring clip Cat. H20A241		H20A380	H20A380	Metal washer for Cat. I05136
	91X648	91X648	Screw for Cat. H20A239 (No. 8)		H20A255	H20A255	Fiber washer for Cat. I05136
10	H7A160	H7A160	DOOR FOR CABINET		H20A282	H20A282	Bracket for ice tray separator release
	H7A161	H7A161	Outer door panel (right-hand cabinet)		91X648	91X648	Screw for Cat. H20A282 (No. 8)
	H13A170	H13A170	Outer door panel (left-hand cabinet)	30	H17A216	H17A216	Shelf, offset, upper
	H10A105	H10A105	Door gasket	31	H17A217	H17A217	Shelf, lower
	H10A106	H10A106	Door strip, top or bottom	32	H17A125	H17A125	Rubber bumper for Cat. H17A217
			Door strip, side		H5X20	H5X20	Cabinet insulation (Kimsul, 18' roll)

\* Same cabinets used aluminum screws (H12X2) and others used stainless steel screws (I1X339). Replace with a like type as the appearance of the two screws is different.

# BY4A, BY4-40A, BY4B, BY4C

FOR REFRIGERATING MACHINE PARTS REFER TO CE-140C UNIT FOR BY4A OR BY4-40A, AND CE-140D UNIT FOR BY4B OR BY4C



## Accessories

Quan.	Cat. No.		Description
	BY4A BY4-40A	BY4B BY4C	
1	A4R7	A4R7	Chiller tray
2	A5R17	†A5R23	Freezing tray
1	A20R7	A21R229	Separator release for freezing tray

† Model BY4C is equipped with 1 Cat. A5R23 freezing tray.

## Cabinet Parts

Ref. No.	Cat. No.		Description
	BY4A BY4-40A	BY4B BY4C	
1	H4A49	H4A49	TOP COVER FOR CABINET
2	H13A151	H13A151	Gasket for top cover
	H20A336	H20A336	Clip for top cover, front
	H20A162	H20A162	Clip for top cover, back
	H20A86	H20A86	Screw for Cat. H20A336 (10-30)
	91X648	91X648	Screw for Cat. H20A162 or refrigerant line sealing plate (No. 8)
	H20A201	H20A201	Clamp for refrigerant line, upper
	H20A202	H20A202	Clamp for refrigerant line, lower
	91X648	91X648	Screw for Cat. H20A201 or H20A202 (No. 8)
	H20A20	H20A20	Spacer for Cat. H20A201
	H20A62	H20A62	Screw for Cat. H20A20 (No. 8)
	80X132	80X132	Washer for Cat. H20A62
3	H27A82	H27A82	BASE FOR RIGHT-HAND CABINET
	H27A80	H27A80	BASE FOR LEFT-HAND CABINET
	69X893	58X374	Screw fastening base to outer case (No. 10)
	H20A138	H20A138	Washer for Cat. 58X374 or 69X893
	6X737	6X737	Cap screw fastening refrigerating machine to base (5/16 in.-18)
	H18A18	H18A18	Washer for Cat. 6X737
4	H4A51	H4A51	Refrigerating machine compartment cover
	H20A335	H20A335	Angle supporting Cat. H4A51
	58X345	58X345	Screw for Cat. H4A51 or H20A335
	H18A38	H18A38	Washer for Cat. 58X345, fastening Cat. H4A51 in position
	H20A138	H20A138	Washer for Cat. 58X345, fastening Cat. H20A335 in position
5	H20A331	H20A331	Perforated cover for refrigerating machine compartment
	46X784	46X784	Screw for Cat. H20A331, outer side (1/4 in.-20)
	H20A344	H20A344	Speed nut for Cat. 46X784
6	H17A89	H17A89	Thumb nut for Cat. H20A331
	153179	153179	Washer for Cat. 46X784, under H20A331
	H18A3	H18A3	Washer for Cat. H17A89
7	H8A85	H8A85	Side panel for refrigerating machine compartment (right-hand cabinet)
	H8A86	H8A86	Side panel for refrigerating machine compartment (left-hand cabinet)
	69X893	58X374	Screw fastening side panel to base (No. 10)
	H20A138	H20A138	Washer for Cat. 69X893 or 58X374
	69X893	69X893	Screw fastening vertical angle of refrigerating machine compartment to cabinet (No. 10)
	H20A343	H20A343	Stainless steel trim at bottom of cabinet
	H20A345	H20A345	Trim clip
8	-	-	DOOR FOR CABINET
	H7A196	H7A196	Outer door panel (right-hand cabinet)
	H7A197	H7A197	Outer door panel (left-hand cabinet)
9	H13A66	H13A66	Door Gasket
	H10A28	H10A28	Door strip, hinge side
	H10A33	H10A33	Door strip, top or bottom
10	H10A103	H10A103	Door strip, latch side with escutcheon for latch bolt
11	H15A41	H15A41	Escutcheon for latch bolt
12	H12X2	*H12X2	Screw for door strip, aluminum (10-30)
	-	*11X339	Screw for door strip, stainless steel (10-30)

Ref. No.	Cat. No.		Description
	BY4A BY4-40A	BY4B BY4C	
13	H9A10	H9A10	Door corner
	H7A22	H7A22	Inner door panel
14	H15A26	H15A26	Latch case with gasket, nut, and lockwasher
15	H15A44	H15A44	Spring for latch
16	H15A45	H15A45	Nut for latch and handle
17	H13A148	H13A148	Gasket between latch and outer door panel
18	H20A117	H20A117	Lockwasher for Cat. H15A45
	11X339	11X339	Screw fastening latch to door strip (10-30)
19	H15A62	H15A62	Latch handle without escutcheon
20	H15A47	H15A85	Escutcheon for latch handle
21	H13A149	H13A149	Gasket between latch handle and door panel
22	H16A49	-	Hinge without cover
23	H16A50	-	Cover for Cat. H16A49 hinge
24	-	H16A71	Hinge without cover
25	-	H16A74	End cap for hinge, top, RH cab. or bottom, LH cab.
26	-	H16A75	End cap for hinge, bottom, RH cab. or top, LH cab.
27	-	H16A38	Cover for Cat. H16A71 hinge
	H20A47	H20A47	Screw fastening hinge to outer door panel (12-28)
	H20A386	H20A386	Screw fastening hinge to cabinet (12-28)
28	NP67877A	NP66086A	Nameplate
28	NP67877B	NP66086B	Clip for nameplate
	H20A6	H20A6	Screw for nameplate clip (4-48)
29	H14A22	H14A22	Strike for latch bolt
30	H14A20	H14A20	Strike case
31	11X339	11X339	Screw for strike (10-30)
	58X310	58X310	Lockwasher for Cat. 11X339
32	1GA21H3	1GA21H2	Door switch
	H13A181	H13A241	Gasket for door switch
	H12X2	-	Screw for Cat. 1GA21H3 (10-30)
33	H10A113	H10A211	Door jamb strip, top
34	H10A104	H10A104	Door jamb strip, latch side
	H10A35	H10A35	Door jamb strip, hinge side
	H10A34	H10A34	Door jamb strip, bottom
35	H12X2	*H12X2	Screw for door jamb strip, aluminum (10-30)
35	-	*11X339	Screw for door jamb strip, stainless steel (10-30)
36	H9A27	H9A27	Door jamb corner
37	H3A94	H3A94	INNER LINER WITH SHELF SUPPRTS
38	H17A89	H17A89	Shelf support, straight (1/2 in. long)
	H12A2	H12A2	Screw for Cat. H17A89 (1/4 in.-20)
	H20A110	H20A110	Rubber plug for inner liner
	105136	105136	Screw fastening inner liner cover to inner liner
	200384	200384	Nut for Cat. 105136
	H20A380	H20A380	Metal washer for Cat. 105136
	H20A255	H20A255	Fiber washer for Cat. 105136
	H20A282	H20A282	Bracket for ice tray separator release
	91X648	91X648	Screw for Cat. H20A282 (No. 8)
39	H17A214	H17A214	Shelf, top
40	H17A215	H17A215	Shelf, top, removable
41	H17A128	H17A128	Shelf, bottom or middle
	78X81	78X81	Lamp receptacle
	H19A27	H19A27	Bushing for lamp receptacle
	H19A26	H19A26	Lamp guard
	GE3014	H20A406	Connector for wires
	H5X20	H5X20	Cabinet insulation, (Kimsul, 18' roll)

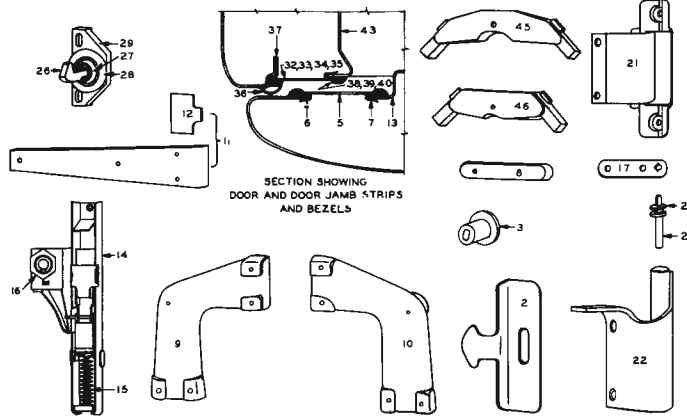
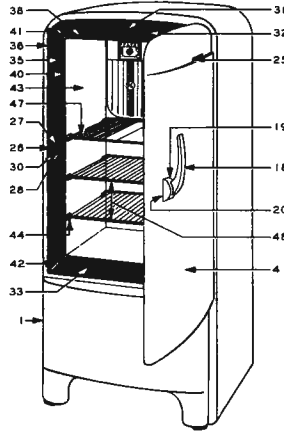
\* Some cabinets used aluminum screws (H12X2) and others used stainless steel screws (11X339). Replace with a like type as the appearance of the two screws is different.

# LB4-40A

FOR REFRIGERATING MACHINE PARTS REFER TO FBA-1A UNIT

## Accessories

Quan.	Cat. No.	Description
1	A4R9	Chiller tray
2	A5R17	Freezing tray
1	A20R7	Separator Release for Freezing Tray



## Cabinet Parts

Ref. No.	Cat. No.	Name of Part	Ref. No.	Cat. No.	Name of Part
	H20A411	Back plate for outer case	18	H15A62	Latch handle without escutcheon
	H13A227	Gasket for back plate Cat. H20A411	19	H15A47	Escutcheon for latch handle
	87X736	Screw fastening back plate to outer case (No. 8)	20	H13A149	Gasket between latch handle and outer door panel
	80X132	Washer for Cat. 87X736	21	H16A66	Hinge, top
	92X530	Screw for refrigerant line sealing plate (No. 8)	128619		Screw fastening top hinge to outer door panel (10-32)
	69X893	Screw fastening condenser to outer case, upper (No. 10)	20X527		Screw fastening top hinge to outer case (1/4 in.-20)
	H20A243	Rubber spacer for back of condenser	H20A419		Nut for Cat. 20X527
	H20A62	Screw for Cat. H20A243 (No. 8)	66X896		Washer for Cat. 20X527
	80X132	Washer for Cat. H20A62	22	H16A67	Hinge, bottom, without pin or washer, (RH cabinet)
	68X170	Screw fastening condenser to outer case, lower (5/16 in.-18)	22	H16A68	Hinge, bottom, without pin or washer, (LH cabinet)
	177811	Nut for Cat. 68X170	23	H16A69	Pin for bottom hinge
	H18A22	Washer for Cat. 68X170	24	H16A70	Rubber washer for Cat. H16A69, with square hole
	71X272	Screw fastening refrigerating machine to angle support (5/16 in.-18)	H20A420		Neoprene washer for Cat. H16A69, with round hole
	177811	Nut for Cat. 71X272	20X536		Screw fastening bottom hinge to side of outer case (1/4 in.-20)
	H18A22	Washer for Cat. 71X272	69X893		Screw fastening bottom hinge to bottom of outer case (No. 10)
1	H7A307	LOWER DOOR PANEL (RH CABINET)	58X310		Washer for Cat. 69X893
	H7A308	LOWER DOOR PANEL (LH CABINET)	25	NP66086A	Nameplate
	H20A242	Rubber button spacer for lower door panel	NP66086B		Clip for nameplate
	87X736	Screw fastening lower door panel to cross piece (No. 8)	H20A6		Screw for nameplate clip (4-48)
2	58X310	Washer for Cat. 87X736	26	H14A23	Strike for latch bolt
	H20A413	Catch for lower door panel	27	H14A24	Nut for strike
	91X648	Screw for Cat. H20A413 (No. 8)	28	H14A25	Retaining Lockwasher for strike
	58X310	Washer for Cat. 91X648	29	H14A26	Support for strike
3	H20A412	Rubber Bushing for lower door panel	30	H20A421	Screw for strike support (10-32)
4	-	DOOR FOR CABINET	58X310		Lockwasher for Cat. H20A421
	H7A309	Outer door panel (RH cabinet)	31	1G21H3	Door switch with 8 inch leads
	H7A310	Outer door panel (LH cabinet)	H20A422		Shim for door switch, 7/64 in. thick
5	H10A148	Door strip, top	H20A423		Shim for door switch, 1/64 in. thick
5	H10A149	Door strip, hinge side (RH cabinet)	H20A424		Spring clip for door switch
5	H10A150	Door strip, hinge side (LH cabinet)	32	H10A154	Door jamb strip, top
5	H10A160	Door strip, latch side, with escutcheon for latch bolt (RH cabinet)	33	H10A155	Door jamb strip, bottom
5	H10A161	Door strip, latch side, with escutcheon for latch bolt (LH cabinet)	34	H10A156	Door jamb strip, hinge side, (RH cabinet)
5	H15A84	Escutcheon for latch bolt	34	H10A157	Door jamb strip, hinge side, (LH cabinet)
5	H10A153	Door strip, bottom	35	H10A158	Door jamb strip, latch side, (RH cabinet)
6	H13A228	Bezel fastening door strip to outer door panel (RH cabinet)	35	H10A159	Door jamb strip, latch side, (LH cabinet)
6	H13A229	Bezel fastening door strip to outer door panel (LH cabinet)	36	H13A233	Door gasket (RH Cabinet)
7	H13A230	Bezel fastening door strip to inner door panel, top or bottom	36	H13A237	Door gasket (LH Cabinet)
7	H13A231	Bezel fastening door strip to inner door panel, side	37	H20A425	Retainer for door gasket, top
8	H9A35	Door corner (bottom)	37	H20A426	Retainer for door gasket, left side
8	H9A36	Door corner (top)	37	H20A427	Retainer for door gasket, right side
8	H20A414	Brace for top hinge	37	H20A428	Retainer for door gasket, bottom
9	54X285	Screw fastening brace and top hinge to outer door panel (No. 8)	38	H13A234	Bezel fastening door jamb strip to inner liner, top or bottom
9	H20A415	Bridge connecting inner and outer door panels, upper left or lower right (early production)	39	H13A235	Bezel fastening door jamb strip to inner liner, hinge side
10	H20A416	Bridge connecting inner and outer door panels, upper right or lower left (early production)	40	H13A236	Bezel fastening door jamb strip to inner liner, latch side
11	H20A435	Bridge connecting inner and outer door panels, top or bottom (later production)	41	H9A37	Door jamb corner, top
12	H20A436	Shim for Cat. H20A435	42	H9A36	Door jamb corner, bottom
	92X532	Screw fastening bridge to outer door panel (No. 6)	43	H3A133	INNER LINER WITH SHELF SUPPORTS
	87X736	Screw fastening inner door panel to bridge (No. 8)	44	H17A89	Shelf support
	58X310	Lockwasher between bridge and inner door panel	H12A2		Screw for shelf support (1/4 in.-20)
13	H7A311	Inner door panel	H20A429		Screw fastening evaporator to inner liner (10-32)
14	H15A80	Latch with spring and gasket (RH door)	H20A430		Fiber washer for Cat. H20A429
14	H15A81	Latch with spring and gasket (LH door)	H20A431		Back plate for inner liner
15	H15A82	Coil spring for latch	92X531		Screw fastening back plate to inner liner (No. 8)
	H13A232	Gasket for latch	179789		Washer for Cat. 92X531
16	H15A83	Nut for latch and handle	H20A433		Bridge connecting inner liner to outer case, top
	H20A117	Washer for Cat. H15A83	H20A434		Bridge connecting inner liner to outer case, bottom
	H20A417	Screw fastening latch to outer door panel (10-32)	87X736		Screw fastening bridge to inner liner or outer case (No. 8)
17	H16A64	Anchor plate for lower hinge (RH door)	80X132		Washer for Cat. 87X736
17	H16A65	Anchor plate for lower hinge (LH door)	H20A432		Bracket for ice tray separator release
	H20A418	Screw fastening anchor plate to outer door panel (10-32)	91X648		Screw for Cat. H20A432
	H17A166	Washer for Cat. H20A418	47	H17A290	Shelf, top
			48	H17A291	Shelf, middle or bottom
				78X913	Lamp receptacle
				H20A406	Connector with insulation for leads
				H5X20	Cabinet insulation (Kimsul, 18" roll)

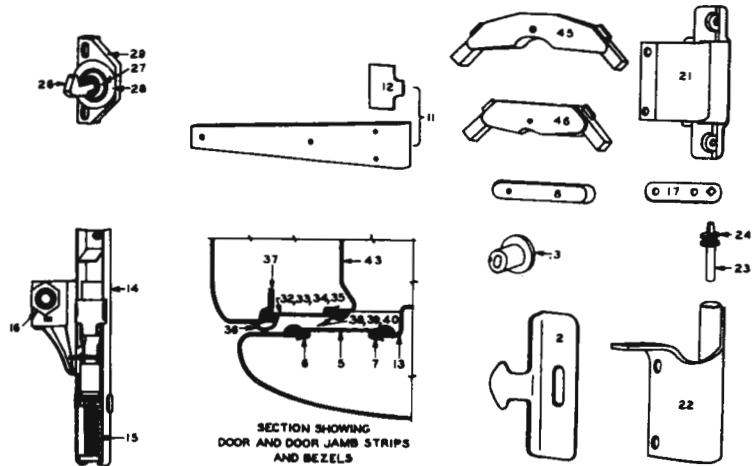
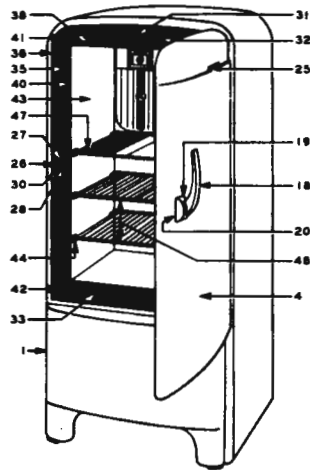
\* This Part supersedes the original part.

# LB4-40B

FOR REFRIGERATING MACHINE PARTS REFER TO FBA-1A UNIT

## Accessories

Quan.	Cat. No.	Description
1	A4R9	Chiller Tray
2	A5R17	Freezing Tray
1	A20R7	Separator Release for Freezing Tray



## Cabinet Parts

Ref. No.	Cat. No.	Name of Part	Ref. No.	Cat. No.	Name of Part
	H20A411	Back plate for outer case	21	H16A66	Hinge, top
	H13A227	Gasket for back plate Cat. H20A411		H20A437	Shim for hinge Cat. H16A66
	87X736	Screw fastening back plate to outer case (No. 8)		12B619	Screw fastening top hinge to outer door panel (10-32)
	80X132	Washer for Cat. 87X736		20X527	Screw fastening top hinge to outer case (1/4 in.-20)
	92X530	Screw for refrigerant line sealing plate (No. 8)		H20A419	Nut for Cat. 20X527
	69X893	Screw fastening condenser to outer case, upper (No. 10)		66X896	Washer for Cat. 20X527
	H20A243	Rubber spacer for back of condenser	22	H16A67	Hinge, bottom, without pin or washers (RH cabinet)
	H20A62	Screw for Cat. H20A243 (No. 8)	22	H16A68	Hinge, bottom, without pin or washers (LH cabinet)
	80X132	Washer for Cat. H20A62	23	H16A69	Pin for bottom hinge
	68X170	Screw fastening condenser to outer case, lower (5/16 in.-18)	24	H16A70	Rubber washer for Cat. H16A69, with square hole
	177811	Nut for Cat. 68X170		H20A420	Rubber washer for Cat. H16A69, with round hole
	H18A22	Washer for Cat. 68X170		20X536	Screw fastening bottom hinge to side of outer case (1/4 in.-20)
	71X272	Screw fastening refrigerating machine to angle support (5/16 in.-18)		69X893	Screw fastening bottom hinge to bottom of outer case (No. 10)
	177811	Nut for Cat. 71X272	25	58X310	Washer for Cat. 69X893
	H18A22	Washer for Cat. 71X272		NP66086A	Nameplate
	H7A307	LOWER DOOR PANEL (RH CABINET)		NP66086B	Clip for nameplate
1	H7A308	LOWER DOOR PANEL (LH CABINET)	26	H14A23	Screw for nameplate clip (4-48)
	H20A242	Rubber button spacer for lower door panel	27	H14A24	Strike for latch bolt
2	H20A413	Catch for lower door panel	28	H14A25	Nut for strike
	91X648	Screw for Cat. H20A413 (No. 8)	29	H14A26	Lockwasher for strike
	58X310	Washer for Cat. 91X648	30	H20A421	Support for strike
3	H20A412	Bushing for lower door panel		H20A421	Screw for Cat. H14A26 (10-32)
4	-	DOOR FOR CABINET		58X310	Lockwasher for Cat. H20A421
4	H7A309	Outer door panel (RH cabinet)	31	1GA21H3	Door switch
4	H7A310	Outer door panel (LH cabinet)		H20A439	Shim for door switch
5	H10A148	Door strip, top		11X339	Screw fastening door switch to top of inner liner (10-30)
5	H10A149	Door strip, hinge side (RH cabinet)	32	H10A162	Door jamb strip, top
5	H10A150	Door strip, hinge side (LH cabinet)	33	H10A155	Door jamb strip, bottom
5	H10A60	Door strip, latch side (RH cabinet)	34	H10A156	Door jamb strip, hinge side (RH cabinet)
5	H10A161	Door strip, latch side (LH cabinet)	34	H10A157	Door jamb strip, hinge side (LH cabinet)
	H15A84	Escutcheon for latch bolt	35	H10A158	Door jamb strip, latch side (RH cabinet)
	H20A6	Screw for Cat. H15A84 (4-48)	35	H10A159	Door jamb strip, latch side (LH cabinet)
5	H10A153	Door strip, bottom	36	H13A233	Door gasket (RH cabinet)
6	H13A238	Bezel fastening door strip to outer door panel (RH cabinet)	36	H13A237	Door gasket (LH cabinet)
6	H13A239	Bezel fastening door strip to outer door panel (LH cabinet)	37	H20A425	Retainer for gasket, top
7	H13A230	Bezel fastening door strip to inner door panel, top or bottom	37	H20A426	Retainer for gasket, left side
7	H13A231	Bezel fastening door strip to inner door panel, side	37	H20A427	Retainer for gasket, right-side
	H9A35	Door corner piece, lower	38	H20A428	Retainer for gasket, bottom
	H9A36	Door corner piece, upper		H13A234	Bezel fastening door jamb strip to inner liner, top or bottom
8	H20A414	Brace for top hinge	39	H13A235	Bezel fastening door jamb strip to inner liner, hinge side
	54X285	Screw fastening brace and top hinge to outer door panel (No. 8)	40	H13A236	Bezel fastening door jamb strip to inner liner, latch side
11	H20A435	Bridge with shim connecting inner and outer door panels, top or bottom	41	H9A37	Door jamb corner, top
12	H20A436	Shim for Cat. H20A435	42	H9A36	Door jamb corner, bottom
	92X532	Screw fastening bridge to outer door panel (No. 8)	43	H3A133	INNER LINER WITH SHELF SUPPORTS
	H20A381	Screw fastening inner door panel to bridge (No. 8)	44	H17A89	Shelf support
	58X310	Lockwasher between bridge and inner door panel		H12A2	Screw for shelf support (1/4 in.-20)
13	H7A311	Inner door panel		H20A429	Screw fastening evaporator to inner liner (10-32)
14	H15A80	Latch with spring and gasket (RH door)		H20A430	Fiber washer for Cat. H20A429
	H15A81	Latch with spring and gasket (LH door)		H20A431	Back plate for inner liner
15	H15A82	Coil spring for latch	45	92X531	Screw fastening back plate to inner liner (No. 8)
	H13A232	Gasket for latch	46	179789	Washer for Cat. 92X531
16	H15A83	Nut for latch and handle		H20A433	Bridge connecting inner liner to outer case, top
	H20A117	Washer for Cat. H15A83		H20A434	Bridge connecting inner liner to outer case, bottom
	H20A417	Screw fastening latch to outer door panel (10-32)		H20A398	Fiber washer between bridge and flange of inner liner
17	H16A64	Anchor plate for lower hinge (RH door)		87X736	Screw fastening bridge to inner liner or outer case (No. 8)
17	H16A65	Anchor plate for lower hinge (LH door)	47	80X132	Washer for Cat. 87X736
	H20A418	Screw fastening anchor plate to outer door panel (10-32)	48	H20A432	Bracket for ice tray separator release
	H17A166	Washer for Cat. H20A418		91X648	Screw for Cat. H20A432 (No. 8)
18	H15A62	Latch handle without escutcheon		H17A290	Shelf, top
19	H15A47	Escutcheon for latch handle		H17A291	Shelf, middle, or bottom
20	H13A149	Gasket between latch handle and outer door panel		78X913	Lamp receptacle
				H20A406	Connector with insulation for leads
				H5X20	Cabinet insulation (Kimsul, 18' roll)

# LBH-6A, LBH-8A

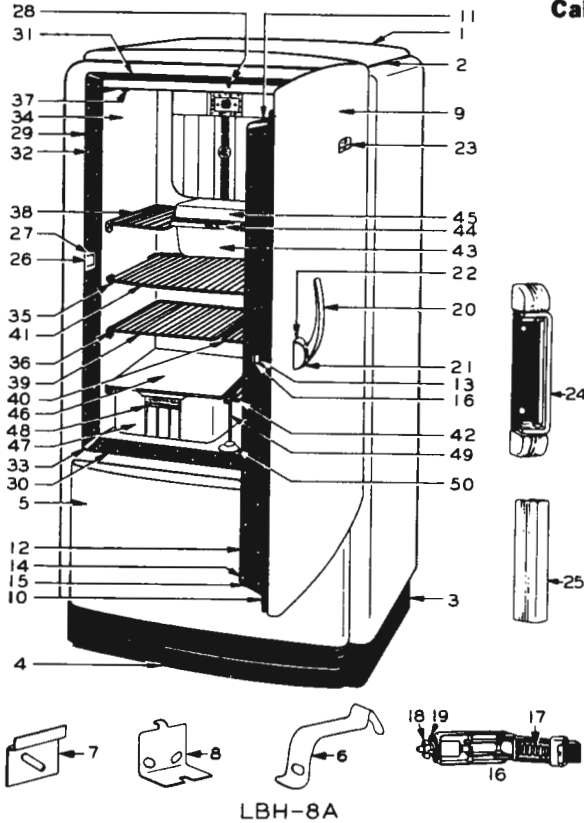
FOR REFRIGERATING MACHINE PARTS REFER TO CF-2H  
AND CF-28D UNITS RESPECTIVELY

## Accessories

Qunt.	Cat. No.	Description
4	A5R17	Freezing trays (LRH-6A)
5	A5R17	Freezing trays (LRH-8A)
1	A2UR7	Freezing Tray Separator Release
1	A2IR6	Fruit Basket (LRH-6A)
1	H1dA44	Fruit Basket (LRH-8A)
1	A2IR150	Set of Dishes
1	A2IR152	Water Jug
1	A2IR153	Butter Dish
1	A2IR154	Cover for Butter Dish

Qunt.	Cat. No.	Description
1	A2IR155	Green Dish (9" X 5")
1	A2IR156	Clear Cover for A2IR155
2	A2IR157	Green Dishes (3" X 4 3/8")
2	A2IR158	Clear Covers for A2IR157
1	A2IR159	Red Bowl (7" dia.)
1	A2IR160	Clear Cover for A2IR159
3	A2IR161	Red Bowls (5 1/2" dia.)
3	A2IR162	Clear Covers for A2IR161

## Cabinet Parts



Ref. No.	Catalog Number		Description
	LBH-6A	LBH-8A	
7	H20A242	H20A242	Rubber button spacer for lower door panel
	H20A181	H20A161	Support for lower door panel
	H20A49	H20A49	Screw for Cat. H20A161 (no. 8)
	H20A240	H20A240	Washer for Cat. H20A49
6	H20A239	H20A239	Catch for spring clip Cat. H20A241
	91X648	91X648	Screw for Cat. H20A239 (No. 8)
9	-	-	DOOR FOR CABINET
9	H7A316	H7A285	Outer door panel (right-hand cabinet)
	H7A317	H7A296	Outer door panel (left-hand cabinet)
10	H13A147	H13A150	Door gasket
	H10A89	H10A96	Door strip, hinge side
11	H10A91	H10A98	Door strip, top or bottom
12	H10A143	H10A144	Door strip, latch side, with escutcheon for latch bolt
13	H15A41	H15A41	Escutcheon for latch bolt
14	-	H12X2	Screw for door strip (10-30)
14	H20A381	-	Screw for door strip (No. 8)
15	H9A25	H9A25	Door corner
	H7A106	H7A107	Inner door panel
16	H15A73	H15A73	Latch with gasket and nut
17	H15A44	H15A44	Spring for latch
18	H15A45	H15A45	Nut for latch and handle
19	H13A148	H13A148	Gasket between latch and outer door panel
	H20A117	H20A117	Lockwasher for Cat. H15A45
	-	11X339	Screw fastening latch to door strip (10-30)
	92X882	-	Screw fastening latch to door strip (No. 10)
20	H15A62	H15A62	Latch handle without escutcheon
21	H15A47	H15A47	Escutcheon for latch handle
22	H13A149	H13A149	Gasket between latch handle and outer door panel
23	NP85252A	NP85252A	Nameplate
	NP85252B	NP85252B	Clip for nameplate
	H20A6	H20A6	Screw for nameplate clip (4-48)
24	H16A49	H16A49	Hinge with end covers
25	H16A50	H16A50	Middle cover for hinge
	H20A97	H20A97	Screw fastening hinge to outer door panel (12-28)
	H20A386	H20A386	Screw fastening hinge to cabinet (12-28)
26	H14A22	H14A22	Strike for latch bolt
27	H14A20	H14A20	Strike case
	11X339	-	Screw for strike (10-30)
	92X882	-	Screw for strike (No. 10)
26	58X310	58X310	Lockwasher for Cat. 11X339 or 92X882
	1GA21H3	1GA21H3	Door switch
	H13A181	H13A181	Gasket for Cat. 1GA21H3
	H12X2	H12X2	Screw for Cat. 1GA21H3 (10-30)
29	H10A94	H10A101	Door jamb strip, latch side
30	H10A95	H10A102	Door jamb strip, bottom
31	H10A115	H10A125	Door jamb strip, top
	H10A116	H10A124	Door jamb strip, hinge side
32	-	H12X2	Screw for door jamb strip (10-30)
32	H20A361	-	Screw for door jamb strip (No. 8)
33	H9A26	H9A26	Door jamb corner
34	H3A136	H3A137	INNER LINER WITH SHELF SUPPORTS
35	H17A122	H17A122	Shelf support, straight (3/4 in. long)
36	H17A90	H17A90	Shelf support, headed (1/2 in. long)
	H12A2	H12A2	Screw for Cat. H17A122 or H17A90 (1/4 in.-20)
	H20A253	H20A253	Washer for Cat. H17A90
	H20A362	H20A362	Bracket for lamp receptacle
	91X648	91X648	Screw for Cat. H20A362 (No. 8)
	H20A110	H20A110	Rubber plug for inner liner cover
	105136	105136	Screw fastening inner liner cover to inner liner (10-32)
	200384	200384	Nut for Cat. 105136
	H20A380	H20A380	Metal washer for Cat. 105136
	H20A255	H20A255	Fiber washer for Cat. 105136
37	H20A282	H20A282	Bracket for ice tray separator release
	91X648	91X648	Screw for Cat. H20A282 (No. 8)
38	H17A312	H17A313	Shelf, top
39	-	H17A293	Shelf, middle with cut out
40	-	H17A294	Shelf, for cut out
41	H17A115	H17A253	Shelf, middle
42	H17A247	H17A314	Shelf, bottom
	78X719	78X719	Lamp receptacle
	H20A406	H20A406	Connector with insulation for leads
43	H31A44	H31A44	Cold storage tray
44	H18A175	H18A175	Trim for Cold storage tray
45	H31A45	H31A45	Cover for Cold storage tray
	H31A46	H31A46	Rack for Cold storage tray
46	H30A110	H30A136	Vegetable drawer and cover without nameplate
46	H30A111	H30A137	Cover for vegetable drawer
47	H30A112	H30A138	Pan for vegetable drawer without nameplate
48	NP84437	NP84437	Nameplate for vegetable drawer
49	H20A383	H20A383	Support for bottom shelf and vegetable drawer cover
	H20A384	H20A384	Rubber foot for Cat. H20A383
50	H5X20	H5X20	Cabinet insulation (Kimsul, 18' roll)

Ref. No.	Catalog Number		Description
	LBH-6A	LBH-8A	
1	H4A34	H4A35	TOP COVER FOR CABINET
2	H13A154	H13A156	Basket for top cover
	H20A161	H20A161	Clip for top cover, front
	H20A162	H20A170	Clip for top cover, back
	H20A86	H20A86	Screw for Cat. H20A161 (10-30)
	91X648	91X648	Screw fastening Cat. H20A170 to top cover, for Cat. H20A162 or refrigerator line sealing plate (No. 8)
	69X893	69X893	Screw fastening Cat. H20A170 to cabinet or condenser to outer case (No. 10)
	H20A243	H20A243	Rubber spacer for back of condenser
	H20A62	H20A243 (No. 8)	Screw for Cat. H20A243 (No. 8)
	80X132	80X132	Washer for Cat. H20A62
3	H27A124	H27A127	BASE
	91X208	106775	Cap screw fastening condenser to base (5/16 in.-18)
	177811	177811	Nut for Cat. 106775 or 91X208
	H18A22	H18A22	Washer for Cat. 106775 or 91X208 (7/8 in. O.D.)
	H18A18	H18A18	Washer for Cat. 106775 or 91X208 (5/8 in. O.D.)
	20X536	20X536	Cap screw fastening outer case to base (1/4 in.-20)
	12X540	12X540	Nut for Cat. 20X536
	160980	160980	Washer for Cat. 20X536
	71X272	71X272	Screw fastening refrigerating machine to base (5/16 in.-18)
	177811	177811	Nut for Cat. 71X272
	91X649	91X649	Washer for Cat. 71X272
4	H27A85	H27A97	Grille for base
	65X229	65X229	Screw fastening grille to base (1/4 in.-20)
	59X241	59X241	Wing nut for Cat. 65X229
5	H6A120	H7A294	LOWER DOOR PANEL
6	H20A241	H20A241	Spring clip for lower door panel
	105113	105113	Screw for Cat. H20A241 (10-32)
	200384	200384	Nut for Cat. 105113
	165736	165736	Washer for Cat. 105113

# JB5-40A, JB6-40A, JB6-40B

FOR REFRIGERATING MACHINE PARTS REFER TO CF-1H AND CF-2H UNITS RESPECTIVELY

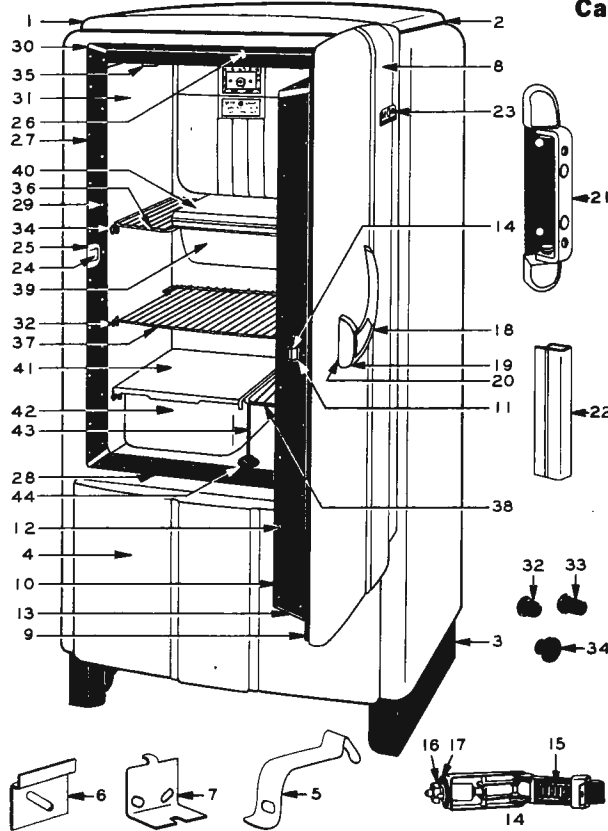
## Accessories

Quan.	Catalog Number		Description
	JB5-40A	*JB6-40A, B	
1	A4R8	-	Chiller Tray
3	A5R17	-	Freezing Tray
4	-	A5R17	Freezing Tray
1	A20R7	A20R7	Separator Release for A5R17
1	-	A21R189	Accessories
1	-	A21R88	Water Bottle and Cap

\* Early production JB6-40A Cabinets did not have Cat. No. A21R189 Accessories.

Quan.	Catalog Number		Description
	JB5-40A	*JB6-40A, B	
1	-	A21R127	Cap for Water Bottle
1	-	A21R139	Butter Dish
1	-	A21R195	Set of Pyrex Dishes
2	-	A21R147	Casseroles (8 1/2" dia.)
1	-	A21R148	Casseroles (7" dia.)
2	-	A21R149	Bowls (5" dia.)

## Cabinet Parts



Ref. No.	Catalog Number		Description
	JB5-40A	*JB6-40A, B	
7	H20A240	H20A240	Washer for Cat. H20A49
	H20A239	H20A239	Catch for spring clip Cat. H20A241
	91X648	91X648	Screw for Cat. H20A239 (No. 8)
8	-	-	DOOR FOR CABINET
8	H7A271	H7A292	Outer door panel (right-hand cabinet)
	H7A272	H7A293	Outer door panel (left-hand cabinet)
9	H13A180	H13A147	Door gasket
	H10A117	H10A89	Door strip, hinge side
	H10A119	H10A91	Door strip, top or bottom
10	H10A147	H10A143	Door strip, latch side with escutcheon for latch bolt
11	H15A41	H15A41	Escutcheon for latch bolt
12	H12X2	H12X2	Screw for door strip (10-30)
12	†H20A381	†H20A381	Screw for door strip, stainless steel (No. 8)
13	H9A31	H9A25	Door corner
	H7A170	H7A106	Inner door panel
14	*H15A73	*H15A73	Latch with gasket and nut (yoke has one screw hole)
15	H15A44	H15A44	Spring for latch
16	H15A45	H15A45	Nut for latch and handle
17	H13A148	H13A148	Gasket between latch and outer door panel
	11X339	11X339	Screw fastening latch to door strip (10-30)
	†92X882	†92X882	Screw fastening latch to door strip, stainless steel (No. 10)
	58X276	58X276	Screw fastening latch handle to outer door panel (No. 8)
18	H15A68	H15A68	Latch handle without escutcheon
19	H15A69	H15A69	Escutcheon for latch handle
20	H13A195	H13A195	Gasket between latch handle and door panel
21	H16A39	H16A39	Hinge with end covers
22	H16A61	H16A61	Middle cover for hinge
	H20A47	H20A47	Screw fastening hinge to door (12-28)
	H20A386	H20A386	Screw fastening hinge to cabinet (12-28)
23	MP80040A	MP80040A	Nameplate
	MP80040B	MP80040B	Clip for nameplate
	H20A6	H20A6	Screw for nameplate clip (4-48)
24	H14A22	H14A22	Strike for latch bolt
25	H14A20	H14A20	Strike case
	11X339	11X339	Screw for strike (10-30)
	†92X882	†92X882	Screw for strike, stainless steel (No. 10)
	58X310	58X310	Lockwasher for Cat. 11X339 or 92X882
26	1GA21H3	1GA21H3	Door switch with eight inch leads
	H13A181	H13A181	Gasket for Cat. 1GA21H3
	H12X2	H12X2	Screw for Cat. 1GA21H3 (10-30)
27	H10A121	H10A94	Door jamb strip, latch side
28	H10A122	H10A95	Door jamb strip, bottom
	H10A123	H10A115	Door jamb strip, top
	H10A120	H10A116	Door jamb strip, hinge side
29	H12X2	H12X2	Screw for door jamb strip (10-30)
29	†H20A381	†H20A381	Screw for door jamb strip, stainless steel (No. 8)
30	H9A32	H9A26	Door jamb corner
31	H3A123	H3A128	INNER LINER WITH SHELF SUPPORTS
32	H17A89	H17A89	Shelf support, straight (1/2 in. long)
33	H17A122	H17A122	Shelf support, straight (3/4 in. long)
34	H17A90	H17A90	Shelf support, headed (1/2 in. long)
	H20A253	H20A253	Rubber spacer for Cat. H17A90
	H12A2	H12A2	Screw for shelf support (1/4 in.-20)
	H20A382	H20A382	Bracket for lamp receptacle
	91X648	91X648	Screw for Cat. H20A382 (No. 8)
	H20A110	H20A110	Rubber plug for inner liner cover
	105136	105136	Screw fastening inner liner cover to inner liner (10-32)
	200384	200384	Nut for Cat. 105136
	H20A380	H20A380	Washer for Cat. 105136
	H20A255	H20A255	Fiber washer for Cat. 105136
35	H20A282	H20A282	Bracket for ice tray separator release
	91X648	91X648	Screw for Cat. H20A282 (No. 8)
	H17A134	H17A129	Shelf, small, side of evaporator
36	H17A137	H17A246	Shelf, large, top
37	H17A136	H17A115	Shelf, large, middle
38	H17A232	H17A247	Shelf, small, bottom
39	-	H31A58	Cold Storage Tray
40	-	H31A59	Cover for Cold Storage Tray
	-	A20R9	Rack for Cold Storage Tray
41	H30A91	H30A110	VEGETABLE DRAWER AND COVER
41	H30A92	H30A111	Cover for vegetable drawer
42	H30A93	H30A112	Pan for vegetable drawer
43	H20A383	H20A383	Support for bottom shelf and vegetable pan cover
44	H20A384	H20A384	Rubber base for Cat. H20A383
	78X719	78X719	Lamp receptacle
	GE3014	GE3014	Connector for leads
	H5X20	H5X20	Cabinet insulation (Kimsul, 18' roll)

Ref. No.	Catalog Number		Description
	JB5-40A	*JB6-40A, B	
1	H4A36	H4A34	TOP COVER FOR CABINET
2	H13A158	H13A154	Gasket for top cover
	H20A161	H20A161	Clip for top cover, front
	H20A170	H20A162	Clip for top cover, back
	H20A86	H20A86	Screw for Cat. H20A161 (10-30)
	91X648	91X648	Screw fastening Cat. H20A170 to top cover, for Cat. H20A162 or refrigerant line sealing plate (No. 8)
	69X893	69X893	Screw fastening Cat. H20A170 to Cabinet or condenser to outer case (No. 10)
	H20A243	H20A243	Rubber spacer for back of condenser
	H20A62	H20A62	Screw fastening spacer to condenser (No. 8)
3	80X132	80X132	Washer for Cat. H20A62
	H27A49	H27A45	BASE
	91X208	91X208	Cap screw fastening condenser to base (5/16 in.-18)
	177811	177811	Nut for Cat. 91X208
	H18A22	H18A22	Washer for Cat. 91X208 (7/8 in. O.D.)
	H18A18	H18A18	Washer for Cat. 91X208 (5/8 in. O.D.)
	20X536	20X536	Cap screw fastening outer case to base (1/4 in.-20)
	160980	160980	Washer for Cat. 20X536
	71X272	71X272	Screw fastening refrigerating machine to base (5/16 in.-18)
	177811	177811	Nut for Cat. 71X272
	91X649	91X649	Washer for Cat. 71X272
4	H6A111	H6A95	LOWER DOOR PANEL
5	H20A241	H20A241	Spring Clip for Lower Door Panel
	105113	105113	Screw for Cat. H20A241 (10-32)
	200384	200384	Nut for Cat. 105113
	165736	165736	Washer for Cat. 105113
	H20A242	H20A242	Rubber button spacer for Lower Door Panel
6	H20A181	H20A181	Support for Lower Door Panel
	H20A49	H20A49	Screw for Cat. H20A181 (No. 8)

\*Early production cabinets used latch having yoke with two screw holes, Cat. H15A43. When this latch is used it is also necessary to use door strip, latch side, Cat. H10A118 (JB5-40A) or H10A90 (JB6-40A).

†For use on later production cabinets using prestole tapping strips and stainless steel screws.

Always Give Catalog Number



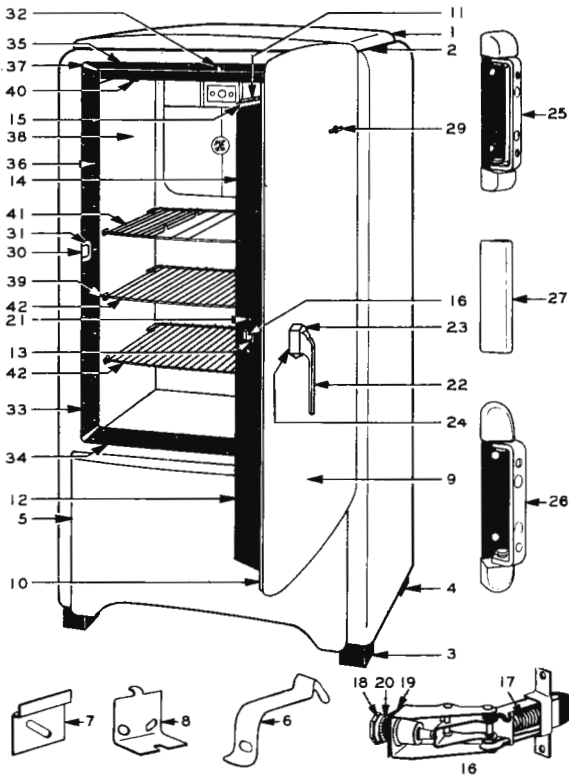
# LB6B, LB6C

FOR REFRIGERATING MACHINE PARTS, REFER TO CF-2H AND CJ-2A UNITS RESPECTIVELY

## Accessories

Quan.	Cat. No.	Description
1	A4R3	Chiller Tray
4	A5R16	Freezing Tray with Rigid Dividers
1	A2OR4	Freezing Tray Lifter

## Cabinet Parts



Ref. No.	Cat. No.	Description
	105113	Screw for Cat. H20A241 (10-32)
	200384	Nut for Cat. 105113
	165736	Washer for Cat. 105113
7	H20A242	Rubber button spacer for lower door panel
	H20A181	Support for lower door panel
	H20A49	Screw for Cat. H20A181 (No. 8)
	H20A240	Washer for Cat. H20A49
8	H20A239	Catch for spring clip Cat. H20A241
	91X648	Screw for Cat. H20A239 (No. 8)
9	DOOR FOR CABINET	
	H7A223	Outer door panel (right-hand cabinet)
	H7A224	Outer door panel (left-hand cabinet)
9	*H7A322	Outer door panel (right-hand cabinet)
	*H7A323	Outer door panel (left-hand cabinet)
10	H13A147	Door gasket
	H10A89	Door strip, hinge side
11	H10A91	Door strip, top or bottom
12	H10A90	Door strip, latch side, with escutcheon for latch bolt
13	H15A41	Escutcheon for latch bolt
14	H12X2	Screw for door strip (10-30)
14	*H20A381	Screw for door strip, stainless steel (No. 8)
15	H9A25	Door corner
	H7A106	Inner door panel
16	H15A43	Latch with gasket, nut, and lockwasher
17	H15A44	Spring for latch
18	H15A45	Nut for latch and handle
19	H13A148	Gasket between latch and outer door panel
20	H20A117	Lockwasher for Cat. H15A45
21	11X339	Screw fastening latch to door strip (10-30)
21	*92X882	Screw fastening latch to door strip, stainless steel (No. 10)
	H20A6	Screw for nameplate clip (4-48)
22	H15A50	Latch handle without escutcheon
23	H15A31	Escutcheon for latch handle
24	H13A104	Gasket between latch handle and door panel
25	H16A37	Hinge with end covers
26	H16A39	Hinge with end covers
27	H16A38	Middle cover for hinge
	H20A47	Screw for hinge (12-28)
	H20A386	Screw fastening hinge to Cabinet (12-28)
29	NP67860A	Nameplate
	NP67860B	Clip for nameplate
30	H14A22	Strike for latch bolt
31	H14A20	Strike case
	11X339	Screw for strike (10-30)
	*92X882	Screw for strike, stainless steel (No. 10)
	58X310	Lockwasher for Cat. 11X339 or 92X882
32	1GA21H3	Door switch with eight inch leads
	H13A181	Gasket for door switch
	H12X2	Screw for door switch (10-30)
33	H10A94	Door jamb strip, latch side
34	H10A95	Door jamb strip, bottom
35	H10A115	Door jamb strip, top
	H10A116	Door jamb strip, hinge side
36	H12X2	Screw for door jamb strip (10-30)
36	*H20A381	Screw for door jamb strip, stainless steel (No. 8)
37	H9A26	Door jamb corner
38	H3A124	INNER LINER WITH SHELF SUPPORTS
39	H17A89	Shelf support, straight (1/2 in. long)
	H12A2	Screw for shelf support (1/4 in.-20)
	H20A382	Bracket for lamp receptacle
	91X648	Screw for Cat. H20A382 (No. 8)
	H20A110	Rubber plug for inner liner cover
	105136	Screw fastening inner liner cover to inner liner (10-32)
	200384	Nut for Cat. 105136
	H20A380	Washer for Cat. 105136
	H20A255	Fiber washer for Cat. 105136
40	H20A282	Bracket for freezing tray lifter
	91X648	Screw for Cat. H20A282 (No. 8)
41	H17A114	Shelf, large, top
42	H17A115	Shelf, large, middle, or bottom
	78X719	Lamp receptacle
	H20A406	Connector with insulation for wires
	H5X20	Cabinet insulation (Kimsul, 18' roll)

Ref. No.	Cat. No.	Description
1	H4A34	TOP COVER FOR CABINET
2	H13A154	Gasket for Cat. H4A34
	H20A161	Clip for top cover, front
	H20A162	Clip for top cover, back
	H20A86	Screw for Cat. H20A161 (10-30)
	91X648	Screw for Cat. H20A162 or refrigerant line sealing plate (No. 8)
	69X893	Screw fastening condenser to outer case (No. 10)
	H20A243	Rubber spacer for back of condenser
	H20A62	Screw fastening spacer to condenser (No. 8)
	80X132	Washer for Cat. H20A62
3	H27A90	Front angle with front gliders for base
	H27A91	Back angle for base
4	A2R13	Glider, back
	267234	Cap screw fastening back angle to back glider (5/16 in.-18)
	177811	Nut for Cat. 267234
	H18A18	Washer for Cat. 267234
	6X737	Cap screw fastening condenser to base (5/16 in.-18)
	H18A22	Washer for Cat. 6X737
	20X536	Cap screw fastening outer case to base (1/4 in.-20)
	160980	Washer for Cat. 20X536
	71X272	Screw fastening refrigerator machine to base (5/16 in.-18)
	177811	Nut for Cat. 71X272
	91X649	Washer for Cat. 71X272
5	H7A222	LOWER DOOR PANEL
6	H20A241	Spring clip for lower door panel

\* For use on later production LB6B Cabinets and all LB6C Cabinets using prestole tapping strips and stainless steel screws.

† A few LB6C Cabinets used Cat. H16A39 Hinges.

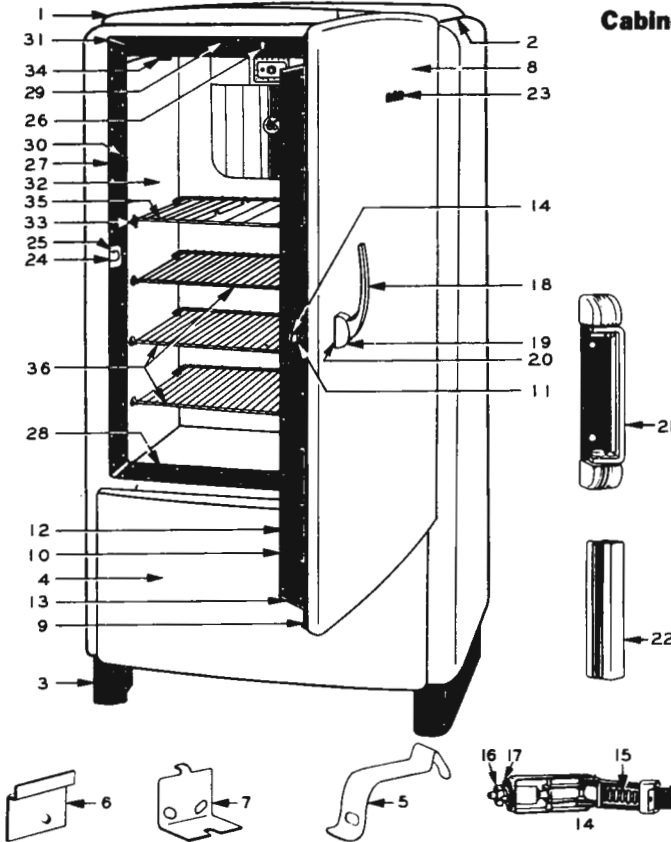
# LB6-40A, LB6-40B, LB8-40A, LB8-40B

FOR REFRIGERATING MACHINE PARTS REFER TO CF-2H AND CF-2B0 UNITS RESPECTIVELY

## Accessories

Quan.	Catalog Number		Name of Part	Quan.	Catalog Number		Name of Part
	*LB6-40A,B	*LB8-40A,B			*LB6-40A,B	*LB8-40A,B	
1	A4R3	A4R3	Chiller Tray	1	A21R154	A21R154	Cover for Butter Dish
4	A5R17	--	Freezing Tray	1	A21R155	A21R155	Green Dish (9" x 5")
5	--	A5R17	Freezing Tray	1	A21R156	A21R156	Clear Cover for Cat. A21R155
1	A20R7	A20R7	Separator Release for Freezing Tray	2	A21R157	A21R157	Green Dishes (5" x 4 3/8")
1	A21R190	A21R190	Accessories	2	A21R158	A21R158	Clear Cover for Cat. A21R157
1	11X781	11X781	Vegetable Pan with Cover	1	A21R159	A21R159	Red Bowl (7" dia.)
1	A21R194	A21R194	Set of Dishes	1	A21R160	A21R160	Clear Cover for Cat. A21R159
1	A21R88	A21R88	Water Bottle and Cap	3	A21R161	A21R161	Red Bowls (5 1/2" dia.)
1	A21R127	A21R127	Cap for Water Bottle	3	A21R162	A21R162	Clear Cover for Cat. A21R161
1	A21R153	A21R153	Butter Dish				

\* Early production LB6-40A and LB8-40A Cabinets did not have Cat. No. A21R190 Accessories.



## Cabinet Parts

Ref. No.	Catalog Number		Name of Part
	LB6-40A,B	LB8-40A,B	
4	H6A120	H7A294	Lower door panel
5	H20A241	H20A241	Spring clip for lower door panel
	105113	105113	Screw for Cat. H20A241 (10-32)
	200384	200384	Nut for Cat. 105113
	165736	165736	Washer for Cat. 105113
	H20A242	H20A242	Rubber button spacer for lower door panel
6	H20A181	H20A181	Support for lower door panel
	H20A49	H20A49	Screw for Cat. H20A181 (No. 8)
	H20A240	H20A240	Washer for Cat. H20A49
7	H20A239	H20A239	Catch for spring clip Cat. H20A241
	91X648	91X648	Screw for Cat. H20A239 (No. 8)
8	--	--	DOOR FOR CABINET
8	H7A316	H7A285	Outer door panel (right-hand cabinet)
	H7A317	H7A296	Outer door panel (left-hand cabinet)
9	H13A147	H13A150	Door gasket
	H10A89	H10A96	Door strip, hinge side
	H10A91	H10A98	Door strip, top or bottom
10	H10A143	H10A144	Door strip, latch side with escutcheon for latch bolt
11	H15A41	H15A41	Escutcheon for latch bolt
12	H12X2	H12X2	Screw for door strip (10-30)
12	H20A381	--	Screw for door strip, stainless steel (No. 8)
13	H9A25	H9A25	Door corner
	H7A106	H7A107	Inner door panel
14	H15A73	H15A73	Latch with gasket and nut (Yoke has one screw hole)
15	H15A44	H15A44	Spring for latch
16	H15A45	H15A45	Nut for latch and handle
17	H13A148	H13A148	Gasket between latch and outer door panel
	H20A117	H20A117	Lockwasher for Cat. H15A45
	11X339	11X339	Screw fastening latch to door strip (10-30)
	92X882	--	Screw fastening latch to door strip, stainless steel (No. 10)
	58X276	58X276	Screw fastening latch handle to outer door panel (No. 8)
18	H15A62	H15A62	Latch handle without escutcheon
19	H15A47	H15A47	Escutcheon for latch handle
20	H13A149	H13A149	Gasket between latch handle and door panel
21	H16A49	H16A49	Hinge with end covers
22	H16A50	H16A50	Middle cover for hinge
	H20A47	H20A47	Screw fastening hinge to outer door panel (12-28)
	H20A386	H20A386	Screw fastening hinge to cabinet (12-28)
23	H66086A	H66086A	Nameplate
	H66086B	H66086B	Clip for nameplate
	H20A6	H20A6	Screw for nameplate clip (4-48)
24	H14A22	H14A22	Strike for latch bolt
25	H14A20	H14A20	Strike case
	11X339	11X339	Screw for strike (10-30)
	92X882	--	Screw for strike, stainless steel (No. 10)
	58X310	58X310	Lockwasher for Cat. 11X339 or 92X882
26	10A21H3	10A21H3	Door switch
	H13A181	H13A181	Gasket for door switch
	H12X2	H12X2	Screw for door switch (10-30)
27	H10A94	H10A101	Door jamb strip, latch side
28	H10A95	H10A102	Door jamb strip, bottom
29	H10A115	H10A125	Door jamb strip, top
	H10A116	H10A124	Door jamb strip, hinge side
30	H12X2	H12X2	Screw for door jamb strip (10-30)
30	H20A381	--	Screw for door jamb strip, stainless steel (No. 8)
31	H9A26	H9A26	Door jamb corner
32	H3A124	H3A130	INNER LINER WITH SHELF SUPPORTS
33	H17A89	H17A89	Shelf support, straight, (1/2 in.-long)
	H12A2	H12A2	Screw for shelf support (1/4 in.-20)
	H20A382	H20A382	Bracket for lamp receptacle
	91X648	91X648	Screw for Cat. H20A382
	H20A110	H20A110	Rubber plug for inner liner cover
	105136	105136	Screwfastening inner liner cover to inner liner (10-32)
	200384	200384	Nut for Cat. 105136
	H20A380	H20A380	Washer for Cat. 105136
	H20A255	H20A255	Fiber washer for Cat. 105136
34	H20A282	H20A282	Bracket for ice tray separator release
	91X648	91X648	Screw for Cat. H20A282
35	H17A114	H17A252	Shelf, top
36	H17A115	H17A253	Shelf, bottom, first or second from bottom
	78X719	78X719	Lamp receptacle
	GE3014	GE3014	Connector for leads
	H5X20	H5X20	Cabinet insulation (Kimsul, 18' roll)

Ref. No.	Catalog Number		Name of Part
	LB6-40A,B	LB8-40A,B	
1	H4A34	H4A35	TOP COVER FOR CABINET
2	H13A154	H13A156	Gasket for top cover
	H20A161	H20A161	Clip for top cover, front
	H20A162	H20A170	Clip for top cover, back
	H20A86	H20A86	Screw for Cat. H20A161 (10-30)
	91X648	91X648	Screw fastening Cat. H20A170 to top cover, for Cat. H20A162 or refrigerant line sealing plate (No. 8)
	69X893	69X893	Screw fastening Cat. H20A170 to cabinet or condenser to outer case (No. 10)
	H20A243	H20A243	Rubber spacer for back of condenser
	H20A62	H20A62	Screw fastening spacer to condenser
	80X132	80X132	Washer for Cat. H20A62
3	H27A45	H27A113	BASE
	91X208	106775	Cap screw fastening condenser to base (5/16 in.-18)
	177811	177811	Nut for Cat. 106775 or 91X208
	H18A22	H18A22	Washer for Cat. 106775 or 91X208 (7/8 in. O.D.)
	H18A18	H18A18	Washer for Cat. 106775 or 91X208 (5/8 in. O.D.)
	20X536	20X536	Cap screw fastening outer case to base (1/4 in.-20)
	160980	160980	Washer for Cat. 20X536
	71X272	71X272	Screw fastening refrigerating machine to base (5/16 in.-18)
	177811	177811	Nut for Cat. 71X272
	91X649	91X649	Washer for Cat. 71X272

\*\*Early production cabinets used latch having yoke with two screw holes, Cat. H15A43. When this latch is used it is also necessary to use door strip, latch side, Cat. H10A90 for LB6-40A and LB6-40B or Cat. No. H10A97 for LB8-40A and LB8-40B.

\* For use on later production LB6-40A and LB8-40B Cabinets using prestole tapping strips and stainless steel screws.

† A split shelf with a removable section is available for the LB8-40. The shelf with frame is covered by Cat. H17A293 and the removable shelf is covered by Cat. H17A294. Order both parts for a complete shelf.

\* A few Cabinets used plain chrome cover, Cat. H16A42. Also a few cabinets used chrome cover with raised rib, Cat. H16A61.

( )

( )

( )

# PLB6-40A

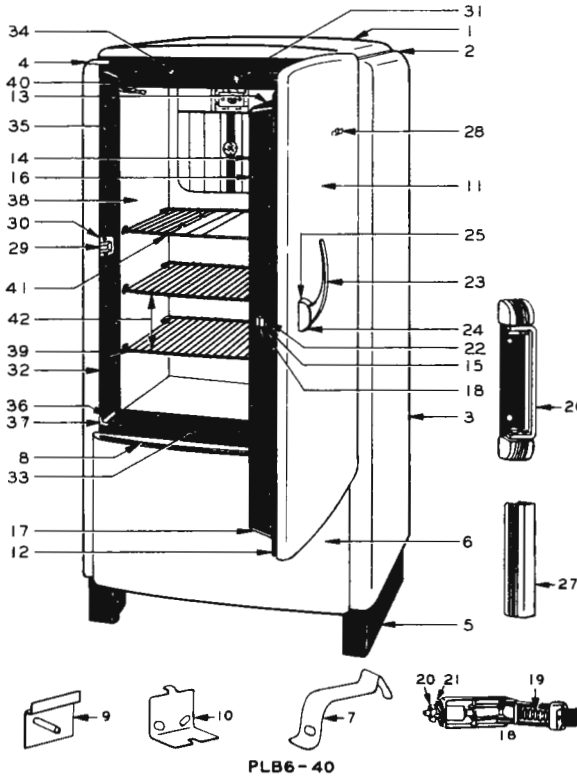
FOR REFRIGERATING MACHINE PARTS REFER TO CF-2H UNIT

## Accessories

Quan.	Cat. No.	Description
1	AHR3	Chiller Tray
4	ASR17	Freezing Tray
1	A2OR7	Separator Release for Freezing Tray
1	11X761	Vegetable Pan with Cover
1	A21R194	Set of Dishes
1	A21R88	Water Bottle
1	A21R127	Cap for Water Bottle
1	A21R153	Butter Dish
1	A21R154	Cover for Butter Dish

Quan.	Cat. No.	Description
1	A21R155	Green Dish (9" X 5")
1	A21R156	Clear Cover for A21R155
2	A21R157	Green Dishes (5" X 4 3/8")
2	A21R158	Clear Cover for A21R157
1	A21R159	Red Bowl (7" dia.)
1	A21R160	Clear Cover for A21R159
3	A21R161	Red Bowl (5 1/2" dia.)
3	A21R162	Clear Cover for A21R161

## Cabinet Parts



PLB6-40

Ref. No.	Cat. No.	Description
-	91X649	Washer for Cat. 71X272
6	H7A326	LOWER DOOR PANEL
7	H20A241	Spring clip for lower door panel
	105113	Screw for Cat. H20A241 (10-32)
	200384	Nut for Cat. 105113
	165736	Washer for Cat. 105113
	H20A242	Rubber button spacer for lower door panel
8	H18A174	Trim with clips for lower door panel
	H20A358	Clip for trim
9	H20A181	Support for lower door panel
	H20A49	Screw for Cat. H20A181 (No. 8)
	H20A240	Washer for Cat. H20A49
10	H20A239	Catch for spring clip Cat. H20A241
	91X648	Screw for Cat. H20A239 (No. 8)
11	-	DOOR FOR CABINET
	H7A312	Outer door panel (right-hand cabinet)
	H7A313	Outer door panel (left-hand cabinet)
12	H13A147	Door gasket
	H10A89	Door strip, hinge side
	H10A91	Door strip, top or bottom
14	H10A143	Door strip, latch side, with escutcheon for latch bolt
15	H15A41	Escutcheon for latch bolt
16	H20A381	Screw for door strip (No. 8)
17	H9A25	Door corner
	H7A106	Inner door panel
18	H15A73	Latch with gasket and nut
19	H15A44	Spring for latch
20	H15A45	Nut for latch and handle
21	H13A148	Gasket between latch and outer door panel
	H20A117	Lockwasher for Cat. H15A45
22	92X882	Screw fastening latch to door strip (No. 10)
23	H15A62	Latch handle without escutcheon
24	H15A47	Escutcheon for latch handle
25	H13A149	Gasket between latch handle and door panel
26	H16A49	Hinge with end covers
	H16A50	Middle cover for hinge
27	H20A56	Gasket between hinge and outer door panel or between hinge and cabinet
	H20A235	Large shim between hinge and cabinet
	H20A158	Screw fastening hinge to outer door panel (12-28)
	H20A386	Screw fastening hinge to cabinet (12-28)
28	NP66086A	Nameplate
28	NP66086B	Clip for nameplate
	H20A6	Screw for nameplate clip (4-48)
29	H14A22	Strike for latch bolt
30	H14A20	Strike case
	92X882	Screw for strike (No. 10)
31	58X310	Lockwasher for Cat. 92X882
	16A21M3	Door switch
	H13A181	Gasket for Door Switch
	H12X2	Screw for Door Switch
32	H10A94	Door jamb strip, latch side
33	H10A95	Door jamb strip, bottom
34	H10A115	Door jamb strip, top
	H10A116	Door jamb strip, hinge side
35	H20A381	Screw for door jamb strip (No. 8)
36	H9A26	Door jamb corner
37	H18A136	Door jamb corner trim
38	H3A124	INNER LINER WITH SHELF SUPPORTS
39	H17A89	Shelf support
	H12A2	Screw for shelf support (1/4 in.-20)
	H20A382	Bracket for lamp receptacle
	91X648	Screw for Cat. H20A382 (No. 8)
	H20A110	Rubber plug for inner liner cover
	105136	Screw fastening inner liner cover to inner liner (10-32)
	200384	Nut for Cat. 105136
	H20A380	Washer for Cat. 105136
40	H20A282	Bracket for ice tray separator release
	91X648	Screw for Cat. H20A282 (No. 8)
	78X719	Lamp receptacle
41	H20A406	Connector with insulation for leads
	H17A114	Shelf, top
42	H17A115	Shelf, middle or bottom
	H5X20	Cabinet Insulation (Kinsul, 18" roll)

Ref. No.	Cat. No.	Description
1	HW440	TOP COVER FOR CABINET
2	H13A154	Gasket for top cover
	H20A161	Clip for top cover, front
	H20A162	Clip for top cover, back
	H13A165	Gasket for Cat. H20A162
	H20A86	Screw for Cat. H20A161 (10-30)
	91X648	Screw for Cat. H20A162 or refrigerant line sealing plate (No. 8)
3	H13A166	Gasket for refrigerant line sealing plate
	H2A107	OUTER CASE (RIGHT-HAND CABINET)
	H2A108	OUTER CASE (LEFT-HAND CABINET)
	69X893	Screw fastening condenser to outer case (No. 10)
	H18A134	Trim for upper right-hand corner of outer case, front
	H18A135	Trim for upper left-hand corner of outer case, front
4	58X326	Nut fastening Cat. H18A134 or H18A135 to outer case
	H20A168	Washer for Cat. H18A134 or H18A135
	H13A179	Rubber gasket for Cat. H18A134 or H18A135
	H20A243	Rubber spacer for back of condenser
	H20A62	Screw fastening spacer to condenser (No. 8)
	80X132	Washer for Cat. H20A62
5	H27A45	BASE
	91X208	Cap screw fastening condenser to base (5/16 in.-18)
	177811	Nut for Cat. 91X208
	H18A18	Washer for Cat. 91X208 (5/8 in. D.D.)
	H18A22	Washer for Cat. 91X208 (7/8 in. O.D.)
	H20A254	Rubber pad between base and cabinet
	20X536	Cap screw fastening outer case to base (1/4 in.-20)
	160980	Metal washer for Cat. 20X536
	H20A255	Fiber washer for Cat. 20X536
	71X272	Screw fastening refrigerating machine to base (5/16 in.-18)
	177811	Nut for Cat. 71X272

Always Give Catalog Number

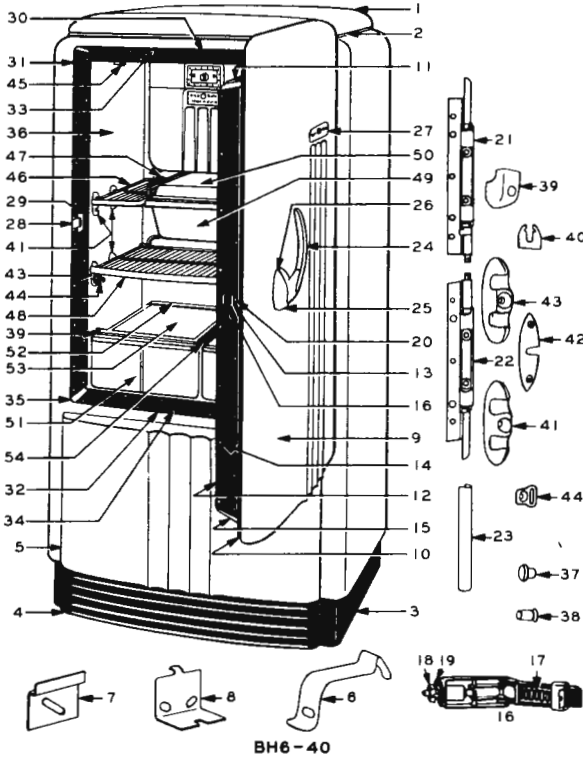
# BH6-40A

FOR REFRIGERATING MACHINE PARTS REFER TO CF-2H UNIT

## Accessories

Quan.	Int. No.	Description	Quan.	Int. No.	Description
4	A5R17	Freezing Tray	1	A21R195	Set of Pyrex Dishes
1	A2UR7	Separator Release for Freezing Tray	2	A21R147	Casserole (8 1/2" dia.)
1	A21R88	Water Bottle	1	A21R148	Casserole (7" dia.)
1	A21R127	Cap for Water Bottle	2	A21R149	Bowls (5" dia.)
1	A21R139	Butter Dish			

## Cabinet Parts



Ref. No.	Int. No.	Name of Part
14	H20A381	Screw for door strip (No. 8)
15	H9A25	Door corner
	H7A106	Inner door panel
16	H15A63	Latch with gasket and nut
17	H15A64	Spring for latch
18	H15A65	Nut for latch and handle
19	H15A66	Gasket between latch and outer door panel
20	92X682	Screw fastening latch to door strip (No. 10)
21	H16A55	Upper hinge for RH door or lower hinge for LH door, without cover
22	H16A56	Lower hinge for RH door or upper hinge for LH door, without cover
	H16A58	Spacer tube between hinges
	H16A52	Cover for hinge
23	I26B19	Screw fastening hinge to outer door panel (10-32)
	91X648	Screw fastening latch handle to outer door panel (No. 8)
	H16A58	"Imperial" nameplate
	58X370	Fastener for NP83455
	H20A380	Washer for NP83455
24	H15A68	Latch handle without escutcheon
25	H15A69	Escutcheon for latch handle
26	H13A195	Gasket between latch handle and outer door panel
27	NP74779A	Nameplate
27	NP74779B	Clip for nameplate
	H20A6	Screw for nameplate clip (4-48)
	167611	Screw fastening hinge to cabinet (12-28)
28	H14A22	Strike for latch bolt
29	H14A20	Strike case
	92X682	Screw for strike (No. 10)
	58X310	Lockwasher for Cat. 92X682
30	I6A21H3	Door switch
	H13A181	Gasket for Door Switch
	H12X2	Screw for Door Switch
31	H10A94	Door jamb strip, latch side
32	H10A95	Door jamb strip, bottom
33	H10A115	Door jamb strip, top
	H10A116	Door jamb strip, hinge side
34	H20A381	Screw for door jamb strip (No. 8)
35	H9A25	Door jamb corner
36	H3A134	INNER LINER WITH SHELF SUPPORTS
37	H17A194	Shelf support, headed, white (1/2 in. long)
37	H17A195	Shelf support, straight, white (3/4 in. long)
38	H12A2	Screw for Cat. H17A194 or H17A195 (1/4 in.-20)
	H18A3	Washer for Cat. H17A194
39	H20A388	Support for vegetable drawer
40	H20A393	Shim for Cat. H20A388 (.031 in. thick)
40	H20A394	Shim for Cat. H20A388 (.062 in. thick)
41	H17A197	Shelf support, double slot
	H20A448	Screw for Cat. H20A388 or H17A197 (10-30)
	58X364	Lockwasher for Cat. H20A448
	H20A389	Shim for Cat. H17A197 (.031 in. thick)
	H20A390	Shim for Cat. H17A197 (.062 in. thick)
42	H17A233	Shelf support, double slot, for lower shelf, front
43	H20A395	Bracket for frame for Vegetable Drawer Cover
44	H20A396	Screw for Cat. H17A233 (10-30)
	H20A382	Bracket for lamp receptacle
	91X648	Screw for Cat. H20A382 (No. 8)
	H20A447	Brace for side of inner liner (late production cabinets)
	I1X339	Screw fastening brace to inner liner (10-30)
	H20A380	Washer for Cat. I1X339
	H20A110	Rubber plug for inner liner cover
	I05136	Screw fastening inner liner cover to inner liner (10-32)
	200384	Nut for Cat. I05136
	H20A380	Washer for Cat. I05136
	H20A255	Fiber washer for Cat. I05136
45	H20A282	Bracket for ice tray separator release
	91X648	Screw for Cat. H20A282 (No. 8)
	H17A234	Shelf, small, side of evaporator
46	H17A235	Sliding shelf with stops, upper
47	H20A248	Bumper for Cat. H17A235
48	H17A236	Sliding shelf with stops, lower
	H17A299	Stop for sliding shelves, RH
	H17A300	Stop for sliding shelves, LH
	H20A397	Rubber stop for Cat. H17A236
	76X719	Lamp receptacle
	H20A406	Connector with insulation for leads
49	H31A44	Cold Storage Compartment
	H18A175	Trim for Cold Storage Compartment
	H31A45	Cover for Cold Storage Compartment
	H31A46	Rack for Cold Storage Compartment
50	H30A134	VEGETABLE DRAWER WITH FRONT PANEL
	H30A135	Front panel for vegetable drawer
51	H12X2	Screw for Cat. H30A135 (10-30)
	H20A398	White fiber washer for Cat. H12X2
	H20A399	Black fiber washer for Cat. H12X2
	H30A133	Pan only, for vegetable drawer
52	H30A99	Frame for vegetable drawer cover
53	H30A100	Cover for vegetable drawer
54	H20A400	Support for vegetable drawer
	H20A401	Rubber foot for Cat. H20A400
	H5X20	Cabinet Insulation (Kinsul, 18" roll)

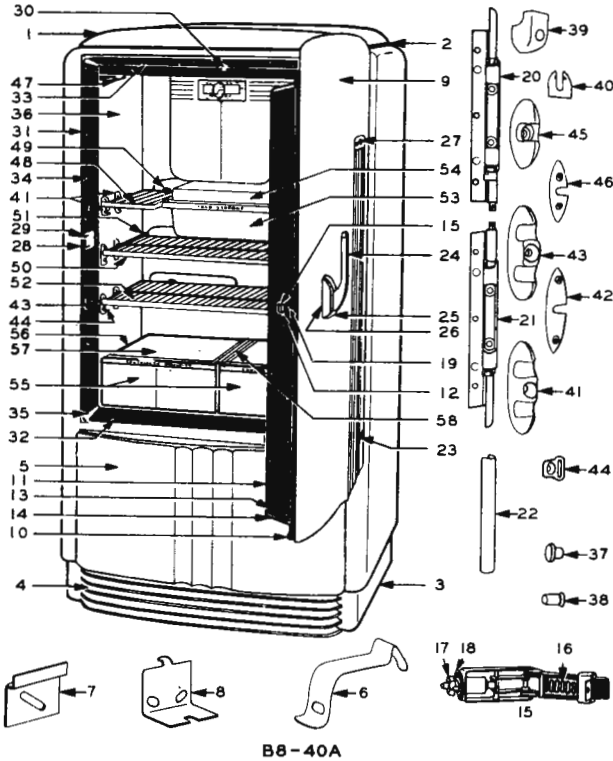
Ref. No.	Int. No.	Name of Part
1	H4A52	TOP COVER FOR CABINET
2	H13A224	Gasket for top cover
	H20A161	Clip for top cover, front
	H20A162	Clip for top cover, back
	H20A86	Screw for Cat. H20A161 (10-30)
	91X648	Screw for Cat. H20A162 or refrigerant line sealing plate (No. 8)
	68X893	Screw fastening condenser to outer case (No. 10)
	H20A243	Rubber spacer for back of condenser
	H20A62	Screw for Cat. H20A243 (No. 8)
	80X132	Washer for Cat. H20A62
3	H27A121	BASE
	91X208	Cap screw fastening condenser to base (5/16 in.-18)
	177611	Nut for Cat. 91X208
	H18A22	Washer for Cat. 91X208 (7/8 in. O.D.)
	H18A18	Washer for Cat. 91X208 (5/8 in. O.D.)
	20X536	Cap screw fastening outer case to base (1/4 in.-20)
	160980	Washer for Cat. 20X536
	71X272	Screw fastening refrigerating machine to base (5/16 in.-18)
	177811	Nut for Cat. 71X272
	91X649	Washer for Cat. 71X272
4	H27A85	Grille for base
	H20A387	Bumper for grille
	65X229	Screw fastening grille to base (1/4 in.-20)
	59X241	Wing nut for Cat. 65X229
5	H7A200	LOWER DOOR PANEL
6	H20A241	Spring clip for lower door panel
	I05113	Screw for Cat. H20A241 (10-32)
	200384	Nut for Cat. I05113
	165734	Washer for Cat. I05113
	H20A242	Rubber button spacer for lower door panel
7	H20A181	Support for lower door panel
	H20A49	Screw for Cat. H20A181 (No. 8)
	H20A240	Washer for Cat. H20A49
8	H20A239	Catch for spring clip Cat. H20A241
	91X648	Screw for Cat. H20A239 (No. 8)
9	-	DOOR FOR CABINET
	H7A279	Outer door panel (right-hand cabinet)
	H7A280	Outer door panel (left-hand cabinet)
10	H13A147	Door gasket
	H16A58	Door strip, hinge side
	H10A51	Door strip, top or bottom
11	H10A14C	Door strip, latch side, with escutcheon for latch bolt
12	H15A41	Escutcheon for latch bolt

\*The first cabinets produced do not have this "Imperial" nameplate, and the outer door panel is not drilled for mounting it.

# B5-40A, B6-40A, B6-40B, B8-40A, B8-40B and B8-40C

FOR REFRIGERATING MACHINE PARTS REFER TO REFRIGERATOR MACHINE SECTION.  
THE UNITS USED ARE AS FOLLOWS:

UNIT	CABINET
CF-11A	B5-40A
CF-21A	B6-40A, B6-40B
CF-22A	B8-40A, B8-40B (early production), B8-40C
CF-22B	B8-40B (later production)



## Accessories

Ref. No.	Catalog Number			Description
	B5-40A	B6-40A, B	B8-40A, B, C	
3	A5R17	-	-	Freezing trays
4	-	A5R17	A5R17	Freezing trays
1	A21R87	A21R80	A21R80	Dessert tray
1	A2OR7	A2UR7	A2OR7	Separator release for freezing tray
1	A21R87	A21R87	A21R87	Thermometer, case and clip
1	A21R128	A21R128	A21R126	Thermometer only
1	A21R129	A21R129	A21R129	Clip for thermometer
1	NP75762A	NP75762A	NP75762A	Case for thermometer
1	A21R166	A21R132	A21R172	Air filter
1	A21R167	A21R133	A21R173	Perforated container for air filter
1	A21R134	A21R134	A21R174	End cap for air filter, right
1	A21R135	A21R135	A21R175	End cap for air filter, left
1	NPB1609A	NPB1609A	NPB1609A	Nameplate for air filter
1	NPB1609B	NPB1609B	NPB1609B	Clip for nameplate for air filter
2	58X369	58X369	58X369	Screw for nameplate clip (No. 4)
1	A2OR11	A2OR11	A2OR11	Package of activated carbon for air filter
1	A21R88	A21R88	A21R88	Water bottle and cap
1	A21R127	A21R127	A21R127	Cap for water bottle
1	-	A21R191	A21R191	Accessories
1	-	A21R139	A21R139	Butter dish
1	-	A21R136	A21R136	Rack for custard cups
1	-	A21R137	A21R137	Oil silk covers for 3 7/8" dia. custard cups
2	-	A21R138	A21R138	Oil silk covers for 5 1/8" dia. bowls
1	-	A21R145	A21R145	Set of pyrex dishes
6	-	A21R146	A21R146	Custard cups
2	-	A21R147	A21R147	Casseroles (5 1/2" dia.)
2	-	A21R224	A21R224	Casserole only
2	-	A21R225	A21R225	Cover only
1	-	A21R148	A21R148	Casserole (7" dia.)
1	-	A21R226	A21R226	Casserole only
1	-	A21R227	A21R227	Cover only
2	-	A21R149	A21R149	Bowls (5" dia.)

\* Early production B6-40A and B8-40A Cabinets did not have Cat. No. A21R191 Accessories.

\*\* not furnished with cabinet.

## Cabinet Parts

Ref. No.	Catalog Number			Name of Part
	B5-40A	B6-40A, B	B8-40A, B, C	
1	H4A36	H4A52	H4A54	TOP COVER FOR CABINET
2	H13A225	H13A224	H13A226	Gasket for top cover
	H20A161	H20A161	H20A161	Clip for top cover, front
	H20A170	H20A162	H20A170	Clip for top cover, back
	H20A86	H20A86	H20A86	Screw for Cat. H20A161 (10-30)
	91X648	91X648	91X648	Screw fastening Cat. H20A170 to top cover, for Cat. H20A162, or for refrigerant line sealing plate (No. 8)
	69X893	69X893	69X893	Screw fastening Cat. H20A170 to cabinet or condenser to outer case (No. 10)
	H20A243	H20A243	H20A243	Rubber spacer for back of condenser
	H20A62	H20A62	H20A62	Screw fastening spacer to condenser (No. 8)
	80X132	80X132	80X132	Washer for Cat. H20A62
3	H27A107	H27A105	H27A111	BASE
	91X208	91X208	106775	Cap screw fastening condenser to base (5/16 in.-18)
	177811	177811	177811	Nut for Cat. 91X208 or 106775
	H18A22	H18A22	H18A22	Washer for Cat. 91X208 or 106775 (7/8 in. O.D.)
	H18A18	H18A18	H18A18	Washer for Cat. 91X208 or 106775 (5/8 in. O.D.)
	20X536	20X536	20X536	Cap screw fastening outer case to base (1/4 in.-20)
	160980	160980	160980	Washer for Cat. 20X536
	71X272	71X272	71X272	Screw fastening refrigerating machine to base (5/16 in.-18)
	177811	177811	177811	Nut for Cat. 71X272
	91X649	91X649	91X649	Washer for Cat. 71X272
4	H27A108	H27A106	H27A112	Grille for base
	H20A387	H20A387	H20A387	Bumper for grille
	1X452	1X452	1X452	Nut fastening grille to lower door
	H18A20	H18A20	H18A20	Washer for bolt fastening grille to lower door
5	H7A215	H7A200	H7A237	LOWER DOOR PANEL
6	H20A241	H20A241	H20A241	Spring clip for lower door panel

Ref. No.	Catalog Number			Name of Part
	B5-40A	B6-40A, B	B8-40A, B, C	
	105113	105113	105113	Screw for Cat. H20A241 (10-32)
	200384	200384	200384	Nut for Cat. 105113
	165736	165736	165736	Washer for Cat. 105113
	H20A242	H20A242	H20A242	Rubber button spacer for lower door panel
7	H20A181	H20A181	H20A181	Support for lower door panel
	H20A49	H20A49	H20A49	Screw for Cat. H20A181 (No. 8)
	H20A240	H20A240	H20A240	Washer for Cat. H20A49
8	H20A239	H20A239	H20A239	Catch for spring clip Cat. H20A241
	91X648	91X648	91X648	Screw for Cat. H20A239 (No. 8)
9	-	-	-	DOOR FOR CABINET
9	H7A283	H7A279	H7A290	Outer door panel (right-hand cabinet)
	H7A284	H7A280	H7A291	Outer door panel (left-hand cabinet)
10	H13A180	H13A147	H13A150	Door gasket
	H10A117	H10A89	H10A96	Door strip, hinge side
	H10A119	H10A91	H10A98	Door strip, top or bottom
11	H10A147	H10A143	H10A144	Door strip, latch side, with escutcheon for latch bolt
12	H15A41	H15A41	H15A41	Escutcheon for latch bolt
13	H12X2	H12X2	H12X2	Screw for door strip (10-30)
13	H20A381	H20A381	-	Screw for door strip, stainless steel (No. 8)
14	H9A31	H9A25	H9A25	Door corner
	H7A218	H7A203	H7A240	Inner door panel
15	H15A63	H15A63	H15A63	Latch with gasket and nut
16	H15A64	H15A64	H15A64	Spring for latch
17	H15A65	H15A65	H15A65	Nut for latch and handle
18	H15A66	H15A66	H15A66	Gasket between latch and outer door panel
19	11X339	11X339	11X339	Screw fastening latch to door strip (10-30)
19	H92X882	H92X882	-	Screw fastening latch to door strip, stainless steel (No. 10)
20	H16A55	H16A55	H16A55	Upper hinge for RH door or lower hinge for LH door, without cover
21	H16A56	H16A56	H16A56	Lower hinge for RH door or upper hinge for LH door, without cover

Always Give Catalog Number

# B5-40A, B6-40A, B6-40B, B8-40A, B8-40B and B8-40C (Cont.)

Ref. No.	Catalog Number			Name of Part	Ref. No.	Catalog Number			Name of Part
	B5-40A	B6-40A B6-40B	B8-40A B8-40B			B5-40A	B6-40A B6-40B	B8-40A B8-40B	
22	H16A57 H16A52 I2B619	H16A58 H16A52 I2B619	H16A59 H16A52 I2B619	Spacer tube for hinge Cover for hinge Screw fastening hinge to outer door panel (10-32) Screw fastening latch handle to outer door panel (No. 8)	44	H20A395	H20A395	H20A395	Bracket for frame for vegetable drawer cover
23	91X648	91X648	91X648	"Deluxe" nameplate Fastener for NP80196	45	H20A396 H17A238	H20A396 -	H20A396 -	Screw for Cat. H17A233 (10-30) Shelf support, single slot (11/16 in. high) Screw for Cat. H17A238 (10-30) Lockwasher for Cat. H20A159
24	NP80196 58X370 H20A385	NP80196 58X370 H20A385	NP80196 58X370 H20A385	Fastener for NP80196	46	H20A391	-	-	Shim for Cat. H17A238 (.031 in. thick) Shim for Cat. H17A238 (.062 in. thick)
25	H15A74	H15A74	H15A74	Latch handle without escutcheon	46	H20A392	-	-	Shim for Cat. H17A238 (.062 in. thick) Bracket for side of inner liner (later production B6-40B)
26	H15A75	H15A75	H15A75	Escutcheon for latch handle	-	H20A447	-	-	Screw fastening brace to inner liner (10-30)
27	H13A223	H13A223	H13A223	Gasket between latch handle and outer door panel	-	H1X339	-	-	Washer for Cat. H1X339
28	NP81731A NP81731B H20A6	NP81731A NP81731B H20A6	NP81731A NP81731B H20A6	Nameplate Clip for Nameplate	-	H20A380	-	-	Bracket for lamp receptacle Screw for Cat. H20A382 (No. 8)
29	167651 H14A22 H14A20	167651 H14A22 H14A20	167651 H14A22 H14A20	Screw for nameplate clip or thermometer clip (4-48) Screw fastening hinge to cabinet (12-28) Strike for latch bolt Strike case	47	H20A382 91X648 H20A110 105136	H20A382 91X648 H20A110 105136	H20A382 91X648 H20A110 105136	Rubber plug for inner liner cover Screw fastening inner liner cover to inner liner (10-32) Nut for Cat. 105136 Washer for Cat. 105136
30	H1X339 *92X882 58X310 1G2A1H3 H13A181 H12X2	H1X339 *92X882 58X310 1G2A1H3 H13A181 H12X2	H1X339 *92X882 58X310 1G2A1H3 H13A181 H12X2	Screw for strike, stainless steel (No. 10) Lockwasher for Cat. H1X339 or 92X882 Door switch with eight inch leads Gasket for Cat. 1G2A1H3	48	200384 H20A380 H20A255 H20A282 91X648 H17A240 H17A241 H17A248	200384 H20A380 H20A255 H20A282 91X648 H17A234 H17A235 H20A248	200384 H20A380 H20A255 H20A282 91X648 H17A248 H17A249 H20A248	Bracket for ice tray separator release Screw for Cat. H20A282 (No. 8) Shelf, small, side of evaporator Sliding shelf with stops, upper Bumper for Cat. H17A241, H17A235 or H17A249 Sliding shelf with stops, middle Rubber bumper for Cat. H17A250
31	H10A121 H10A122	H10A94 H10A95	H10A101 H10A102	Door jamb strip, latch side Door jamb strip, bottom	50	51	-	H17A250	Sliding shelf with stops, bottom Rubber bumper for Cat. H17A250
32	H10A123	H10A115	H10A125	Door jamb strip, top	52	H17A242 H17A299	H17A236 H17A299	H17A251 H17A299	Stop for Shelf, RH Stop for Shelf, LH
33	H10A120	H10A116	H10A124	Door jamb strip, hinge side	53	H17A300	H17A300	H17A300	Rubber Bumper for Cat. H17A242, H17A236 or H17A251
34	H12X2 *H20A381	H12X2 *H20A381	H12X2	Screw for door jamb strip (10-30) Screw for door jamb strip, stainless steel (No. 8)	54	H20A397 78X719 GE3014	H20A397 78X719 GE3014	H20A248 78X719 GE3014	Lamp receptacle Connector for leads Cold storage tray
35	H9A32	H9A26	H9A26	Door jamb corner	54	H31A47 H31A48	H31A44 H31A45	H31A44 H31A45	Cover for cold storage tray Rack for cold storage tray
36	H3A127	H3A125	H3A129	INNER LINER WITH SHELVE SUPPORTS	55	H31A49 H30A101	H31A46 H30A94	H31A46 H30A113	VEGETABLE DRAWER WITH VENTILATOR AND FRONT PANEL
37	H17A194	H17A194	H17A194	Shelf Support, headed, white (1/2 in. long)	55	H30A102 H12X2 H20A398 H20A399 H30A96 H30A97 H12X2 H20A398 H30A103 H30A104 H30A105	H30A95 H12X2 H20A398 H20A399 H30A96 H30A97 H12X2 H20A398 H30A98 H30A99 H30A100	H30A114 H12X2 H20A398 H20A399 H30A96 H30A97 H12X2 H20A398 H30A115 H30A116 H30A117	Front panel for vegetable drawer Screw for front panel (10-30) White fiber washer for Cat. H12X2 Black fiber washer for Cat. H12X2 Ventilator slide Cam for ventilator slide Screw for Cat. H30A97 (10-30) White fiber washer for Cat. H12X2 Pan, only, for vegetable drawer Frame for vegetable drawer cover Glass Cover for vegetable drawer
38	H17A195	H17A195	H17A195	Shelf support, straight, white (3/4 in. long)	57	H20A400 H20A401 H5X20	H20A400 H20A401 H5X20	H20A405 H20A401 H5X20	Support for vegetable drawer Rubber foot for Cat. H20A400 or H20A405 Cabinet Insulation (Kimsul, 18' roll)
39	H18A3	H18A3	H18A3	Washer for Cat. H17A194	58	H20A400 H20A401 H5X20	H20A400 H20A401 H5X20	H20A405 H20A401 H5X20	Support for vegetable drawer Rubber foot for Cat. H20A400 or H20A405 Cabinet Insulation (Kimsul, 18' roll)
40	H20A388	H20A388	H20A388	Support for vegetable drawer	58	H20A400 H20A401 H5X20	H20A400 H20A401 H5X20	H20A405 H20A401 H5X20	Support for vegetable drawer Rubber foot for Cat. H20A400 or H20A405 Cabinet Insulation (Kimsul, 18' roll)
41	H20A393	H20A393	H20A393	Shim for Cat. H20A388 (.031 in. thick)	58	H20A400 H20A401 H5X20	H20A400 H20A401 H5X20	H20A405 H20A401 H5X20	Support for vegetable drawer Rubber foot for Cat. H20A400 or H20A405 Cabinet Insulation (Kimsul, 18' roll)
42	H20A394	H20A394	H20A394	Shim for Cat. H20A388 (.062 in. thick)	58	H20A400 H20A401 H5X20	H20A400 H20A401 H5X20	H20A405 H20A401 H5X20	Support for vegetable drawer Rubber foot for Cat. H20A400 or H20A405 Cabinet Insulation (Kimsul, 18' roll)
43	H17A197	H17A197	H17A197	Shelf support, double slot (11/16 in. high)	58	H20A400 H20A401 H5X20	H20A400 H20A401 H5X20	H20A405 H20A401 H5X20	Support for vegetable drawer Rubber foot for Cat. H20A400 or H20A405 Cabinet Insulation (Kimsul, 18' roll)
44	H20A159	H20A159	H20A159	Screw for Cat. H20A388, or H17A197 (10-30)	58	H20A400 H20A401 H5X20	H20A400 H20A401 H5X20	H20A405 H20A401 H5X20	Support for vegetable drawer Rubber foot for Cat. H20A400 or H20A405 Cabinet Insulation (Kimsul, 18' roll)
45	58X364	58X364	58X364	Lockwasher for Cat. H20A159	58	H20A400 H20A401 H5X20	H20A400 H20A401 H5X20	H20A405 H20A401 H5X20	Support for vegetable drawer Rubber foot for Cat. H20A400 or H20A405 Cabinet Insulation (Kimsul, 18' roll)
46	H20A389	H20A389	H20A389	Shim for Cat. H17A197 (.031 in. thick)	58	H20A400 H20A401 H5X20	H20A400 H20A401 H5X20	H20A405 H20A401 H5X20	Support for vegetable drawer Rubber foot for Cat. H20A400 or H20A405 Cabinet Insulation (Kimsul, 18' roll)
47	H20A390	H20A390	H20A390	Shim for Cat. H17A197 (.062 in. thick)	58	H20A400 H20A401 H5X20	H20A400 H20A401 H5X20	H20A405 H20A401 H5X20	Support for vegetable drawer Rubber foot for Cat. H20A400 or H20A405 Cabinet Insulation (Kimsul, 18' roll)
48	H17A233	H17A233	H17A233	Shelf support, double slot, for lower shelf, front	58	H20A400 H20A401 H5X20	H20A400 H20A401 H5X20	H20A405 H20A401 H5X20	Support for vegetable drawer Rubber foot for Cat. H20A400 or H20A405 Cabinet Insulation (Kimsul, 18' roll)

\*For use on later production Cabinets using prestole tapping strips and stainless steel screws.

†The parts for the B8-40C are the same as for type B8-40A and B except for the few changes and additions necessitated by the addition of acoustic muffling for the Refrigerating Machine. The following parts are used in addition to those shown above for the B8-40A and B. There are a few changes which are marked with an asterisk in the list below.

Cat. No.	Name of Part
H20A440	Side baffle between condenser and back of outer case
H20A441	Side baffle between Cat. H20A440 and back of outer case, right-hand side
H20A442	Side baffle between Cat. H20A440 and back of outer case, left-hand side.
173533	Screw fastening Cat. H20A440 to condenser (No. 10)
165736	Washer for Cat. 173533
H20A170	Clip fastening Cat. H20A441 or H20A442 to H20A440
174888	Screw for Cat. H20A170 (No. 8)
H20A443	Baffle for back of condenser, bottom
*92X873	Screw fastening baffle and rubber spacer to condenser (No. 8)
80X132	Washer for Cat. 92X873
*H27A122	Base
H27A123	Bracket supporting back of refrigerating machine
69X244	Cap screw fastening refrigerating machine to Cat. H27A123 (3/8 in.-16)

Cat. No.	Name of Part
6X815	Lockwasher for Cat. 69X244
106775	Cap screw fastening Cat. H27A123 to back angle of base (5/16 in.-18)
175530	Washer for Cat. 106775 (1 1/8 in. O.D.)
H20A444	Rubber grommet for Cat. 106775
153608	Cap screw fastening refrigerating machine to front angle of base (5/16 in.-18)
177811	Nut for Cat. 153608
91X649	Lockwasher for Cat. 153608
175530	Washer for Cat. 153608 (1 1/8 in. O.D.)
H20A445	Rubber bushing for Cat. 153608
H20A446	Baffle for front angle of base
70X33	Screw fastening baffle to front angle of base (No. 10)
165736	Washer for Cat. 70X33
H22A51	Insulation for side of refrigerating machine compartment
H22A52	Insulation for lower door panel

\*These are changes in the parts used in the B8-40A and B. All others are additions.

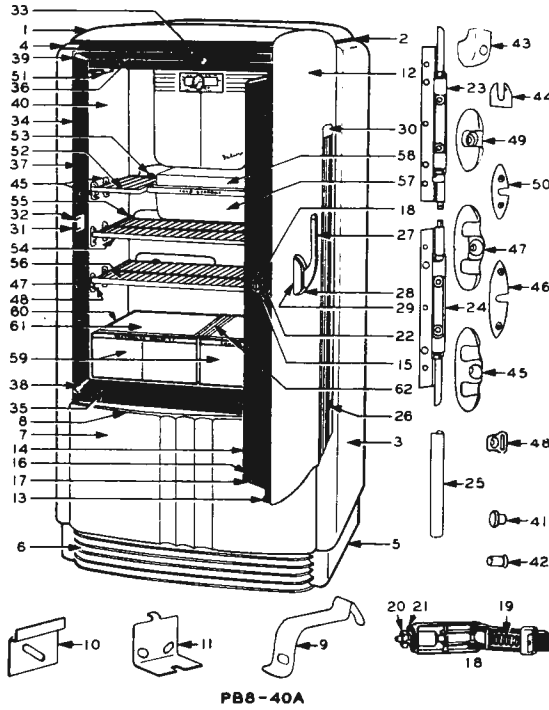
Always Give Catalog Number

# PB5-40A, PB6-40A, PB8-40A and PB8-40B

FOR REFRIGERATING MACHINE PARTS REFER TO REFRIGERATOR MACHINE SECTION.  
THE UNITS USED ARE AS FOLLOWS:

UNIT	CABINET
CF-11A	PB5-40A
CF-21A	PB6-40A
CF-22A	PB8-40A (early production), PB8-40B
CF-22B	PB8-40A (later production)

## Accessories



Quan.	Catalog Number			Description
	PB5-40A	PB6-40A	PB8-40A,B	
3	A5R17	-	-	Freezing trays
4	-	A5R17	A5R17	Freezing trays
1	-	A21R80	A21R80	Dessert tray
1	A20R7	A20R7	A20R7	Separator release for freezing tray
1	A21R87	A21R87	A21R87	Thermometer, case and clip
1	A21R126	A21R128	A21R128	Thermometer only
1	A21R129	A21R129	A21R129	Clip for thermometer
1	NP75762A	NP75762A	NP75762A	Case for thermometer
1	A21R166	A21R132	A21R172	Air filter
1	A21R167	A21R133	A21R173	Perforated container for air filter
1	A21R134	A21R134	A21R174	End cap for air filter, right
1	A21R135	A21R135	A21R175	End cap for air filter, left
1	NP81609A	NP81609A	NP81609A	Nameplate for air filter
1	NP81609B	NP81609B	NP81609B	Clip for nameplate for air filter
2	58X369	58X369	58X369	Screw for nameplate clip (No. 4)
1	A20R11	A20R11	A20R11	Package of activated carbon for air filter
1	A21R136	A21R136	A21R136	Rack for custard cups
6	A21R137	A21R137	A21R137	Oil silk covers for 3 7/8" dia. custard cups
2	A21R138	A21R138	A21R138	Oil silk covers for 5 1/8" dia. bowls
1	A21R139	A21R139	A21R139	Butter dish
1	A21R140	A21R140	A21R140	Water bottle
1	A21R184	A21R184	A21R184	Handle for water bottle
1	A21R185	A21R185	A21R185	Cover for water bottle
1	A21R186	A21R186	A21R186	Rivet for cover
1	A21R143	A21R143	A21R143	Band for water bottle handle
1	58X275	58X275	58X275	Screw for handle for water bottle
1	H20A402	H20A402	H20A402	Sleeve nut for 58X275
1	A21R144	A21R144	A21R144	Water bottle only
1	A21R145	A21R145	A21R145	Set of pyrex dishes
6	A21R146	A21R146	A21R146	Custard cups
2	A21R147	A21R147	A21R147	Casserole (8 1/2" dia.)
2	A21R224	A21R224	A21R224	Casserole only
2	A21R225	A21R225	A21R225	Cover only
1	A21R148	A21R148	A21R148	Casserole (7" dia.)
1	A21R226	A21R226	A21R226	Casserole only
1	A21R227	A21R227	A21R227	Cover only
2	A21R149	A21R149	A21R149	Bowls (5" dia.)

\* Not furnished with cabinet.  
\*\* A few of these water bottles used glass covers. To replace the glass cover or handle order Cat. No. A21R187 handle, metal cover and rivet assembled.

## Cabinet Parts

Ref. No.	Catalog Number			Name of Part
	PB5-40A	PB6-40A	PB8-40A	
1	H4A39	H4A53	H4A55	TOP COVER FOR CABINET
2	H13A158	H13A154	H13A156	Gasket for Top cover
	H20A161	H20A161	H20A161	Clip for top cover, front
	H20A170	H20A162	H20A170	Clip for top cover, back
	H13A183	H13A165	H13A183	Gasket for Cat. H20A170 or H20A162
	H20A86	H20A86	H20A86	Screw for Cat. H20A161 (10-30)
	91X648	91X648	91X648	Screw fastening Cat. H20A170 to top cover, for Cat. H20A162, or for refrigerant line sealing plate (No. 8)
3	H13A166	H13A166	H13A166	Gasket for refrigerant line sealing plate
	H2A97	H2A93	H2A101	OUTER CASE (RIGHT-HAND CABINET)
	H2A98	H2A96	H2A102	OUTER CASE (LEFT-HAND CABINET)
	69X893	69X893	69X893	Screw fastening Cat. H20A170 to cabinet or condenser to outer case (No. 10)
	H18A134	H18A134	H18A134	Trim for upper right-hand corner of outer case, front
4	H18A135	H18A135	H18A135	Trim for upper left-hand corner of outer case, front
	58X326	58X326	58X326	Nut fastening Cat. H18A134 or H18A135
	H20A168	H20A168	H20A168	Washer for Cat. H18A134 or H18A135
	H13A179	H13A179	H13A179	Rubber gasket for Cat. H18A134 or H18A135
	H20A243	H20A243	H20A243	Rubber spacer for back of condenser
	H20A62	H20A62	H20A62	Screw fastening spacer to condenser (No. 8)
	80X132	80X132	80X132	Washer for Cat. H20A62
5	H27A107	H27A105	H27A111	BASE
	91X208	91X208	106775	Cap screw fastening condenser to base (5/16"-18)
	177811	177811	177811	Nut for Cat. 91X208 or 106775
	H18A22	H18A22	H18A22	Washer for Cat. 91X208 or 106775 (7/8" O.D.)
	H18A18	H18A18	H18A18	Washer for Cat. 91X208 or 106775 (5/8" O.D.)
	H20A254	H20A254	H20A254	Rubber pad between base and cabinet
	20X536	20X536	20X536	Cap screw fastening outer case to base (1/4"-20)
	160980	160980	160980	Washer for Cat. 20X536
	H20A255	H20A255	H20A255	Fiber washer for Cat. 20X536
	71X272	71X272	71X272	Screw fastening refrigerating machine to base (5/16"-18)
	177811	177811	177811	Nut for Cat. 71X272
	91X649	91X649	91X649	Washer for Cat. 71X272
6	H27A108	H27A106	H27A112	Grille for base

Ref. No.	Catalog Number			Name of Part
	PB5-40A	PB6-40A	PB8-40A	
	H20A387	H20A387	H20A387	Bumper for grille
	1X452	1X452	1X452	Nut fastening grille to lower door
	H18A20	H18A20	H18A20	Washer for bolt fastening grille to lower door
7	H7A219	H7A204	H7A241	LOWER DOOR PANEL
8	H18A150	H18A148	H18A152	Trim with clips for lower door panel
	H20A358	H20A358	H20A358	Clip for Cat. H18A150, H18A148 or H18A152
9	H20A241	H20A241	H20A241	Spring clip for lower door panel
	105113	105113	105113	Screw for Cat. H20A241 (10-32)
	200384	200384	200384	Nut for Cat. 105113
	165736	165736	165736	Washer for Cat. 105113
	H20A242	H20A242	H20A242	Rubber button spacer for lower door panel
10	H20A181	H20A181	H20A181	Support for lower door panel
	H20A49	H20A49	H20A49	Screw for Cat. H20A181 (No. 8)
	H20A240	H20A240	H20A240	Washer for Cat. H20A49
11	H20A239	H20A239	H20A239	Catch for spring clip Cat. H20A241
	91X648	91X648	91X648	Screw for Cat. H20A239 (No. 8)
12	-	-	-	DOOR FOR CABINET
12	H7A281	H7A277	H7A288	Outer door panel (right-hand cabinet)
	H7A282	H7A278	H7A289	Outer door panel (left-hand cabinet)
	H13A197	H13A197	H13A197	Gasket between hinge and outer door panel
13	H13A180	H13A147	H13A150	Door gasket
	H10A117	H10A89	H10A96	Door strip, hinge side
	H10A119	H10A91	H10A98	Door strip, top or bottom
14	H10A147	H10A143	H10A144	Door strip, latch side, with escutcheon for latch bolt
15	H15A41	H15A41	H15A41	Escutcheon for latch bolt
16	H12X2	H12X2	H12X2	Screw for door strip (10-30)
16	*92X882	*92X882	-	Screw for Door Strip, stainless steel (No. 10)
17	H9A31	H9A25	H9A25	Door corner
	H17A218	H7A203	H7A240	Inner door panel
18	H15A63	H15A63	H15A63	Latch with gasket and nut
19	H15A64	H15A64	H15A64	Spring for latch
20	H15A65	H15A65	H15A65	Nut for latch and handle
21	H15A66	H15A66	H15A66	Gasket between latch and outer door panel
22	11X339	11X339	11X339	Screw fastening latch to door strip (10-30)

Always Give Catalog Number



# PB5-40A, PB6-40A, PB8-40A and PB8-40B (Cont.)

Ref. No.	Catalog Number			Name of Part	Ref. No.	Catalog Number			Name of Part
	PB5-40A	PB6-40A	PB8-40A			PB5-40A	PB6-40A	PB8-40A	
22	H20A381	H20A381	-	Screw fastening latch to door strip, stainless steel (No. 5)	47	H17A233	H17A233	H17A233	Shelf support, double slot, for lower shelf, front
23	H16A55	H16A55	H16A55	Upper hinge for RH door or lower hinge for LH door, without cover	46	H20A395	H20A395	H20A395	Bracket for frame for vegetable drawer cover
24	H16A56	H16A56	H16A56	Lower hinge for RH door or upper hinge for LH door, without cover		H20A396	H20A396	H20A396	Screw for Cat. H17A233 (10-30)
	H16A57	H16A56	H16A59	Spacer tube for hinge	49	H17A238	-	-	Shelf support, single slot
25	H16A52	H16A52	H16A52	Cover for hinge		H20A155	-	-	Screw for Cat. H17A238 (10-30)
	I28619	I28619	I28619	Screw fastening hinge to outer door panel (10-32)	50	S8X364	-	-	Lockwasher for Cat. H20A159
	S1X646	S1X648	S1X648	Screw fastening latch handle to outer door panel (No. 6)	50	H20A391	-	-	Shim for Cat. H17A238 (.031" thick)
				"Deluxe" Nameplate		H20A392	-	-	Shim for Cat. H17A238 (.062" thick)
26	NP80196	NP80196	NP80196	Fastener for NP80196		-	H20A447	-	Brace for side of inner liner (later production)
	H20A385	H20A385	H20A385	Washer for NP80196		-	-	-	Screw fastening brace to inner liner (10-30)
27	H15A74	H15A74	H15A74	Latch handle without escutcheon		H20A382	H20A382	H20A382	Washer for Cat. H1X339
28	H15A75	H15A75	H15A75	Escutcheon for latch handle		91X648	91X648	91X648	Bracket for lamp receptacle
29	H13A223	H13A223	H13A223	Gasket between latch handle and outer door panel		H20A110	H20A110	H20A110	Screw for Cat. H20A382 (No. 8)
30	NP61731A	NP61731A	NP61731A	Nameplate		I05136	I05136	I05136	Rubber plug for inner liner cover
	H20A46	H20A6	H20A6	Clip for nameplate		200384	200384	200384	Screw fastening inner liner cover to inner liner (10-32)
	I67651	I67651	I67651	Screw for nameplate clip or thermometer clip (4-48)	51	H20A282	H20A282	H20A282	Nut for Cat. H20A282
31	H14A22	H14A22	H14A22	Strike for latch		H20A255	H20A255	H20A255	Washer for Cat. H20A255
32	H1X339	H1X339	H1X339	Strike case		H20A282	H20A282	H20A282	Fiber Washer for Cat. H20A255
	S2X882	S2X882	S2X882	Screw for strike (10-30)	52	91X648	91X648	91X648	Bracket for ice tray separator release
	56X310	56X310	56X310	Lockwasher for Cat. H1X339 or 92X882	53	H17A240	H17A235	H17A248	Screw for Cat. H20A282 (No. 8)
33	I6A21H3	I6A21H3	I6A21H3	Door switch		H17A241	H17A235	H17A249	Shelf, small, side of evaporator
	H12X2	H12X2	H12X2	Gasket for Cat. I6A21H3 (10-30)		H20A248	H20A248	H20A248	Sliding shelf with stops, upper
34	H10A121	H10A121	H10A121	Door jamb strip, latch side		-	-	-	Bumper for Cat. H17A241, H17A235 or H17A249
35	H10A123	H10A123	H10A123	Door jamb strip, bottom	54	-	-	H17A250	Sliding shelf with stops, middle
36	H10A120	H10A120	H10A120	Door jamb strip, top	55	-	-	H20A397	Rubber bumper for Cat. H17A250
37	H12X2	H12X2	H12X2	Screw for door jamb strip (10-30)	56	H17A242	H17A236	H17A251	Sliding shelf with stops, bottom
38	H9A26	H9A26	H9A26	Screw for door jamb strip, stainless steel (No. 6)		H17A299	H17A299	H17A299	Stop for shelf, RH
39	H15A136	H15A136	H15A136	Door jamb corner		H17A300	H17A300	H17A300	Stop for shelf, LH
40	H3A127	H3A125	H3A129	Door jamb corner, trim		H20A397	H20A397	H20A248	Rubber Bumper for Cat. H17A242, H17A236 or H17A251
41	H17A194	H17A194	H17A194	INNER LINER WITH SHELF SUPPORTS	59	H30A102	H30A95	H30A114	Lamp receptacle
42	H17A195	H17A195	H17A195	Shelf support, headed, white		H12X2	H12X2	H12X2	Connector for leads
	H12A2	H12A2	H12A2	Shelf support, straight, white		H20A398	H20A398	H20A398	Cold storage tray
	H18A3	H18A3	H18A3	Screw for Cat. H17A194 or H17A195 (1/4"-20)		H20A399	H20A399	H20A399	Cover for cold storage tray
43	H20A388	H20A388	H20A388	Washer for Cat. H17A194		H30A96	H30A96	H30A96	Rack for cold storage tray
44	H20A354	H20A354	H20A354	Support for vegetable drawer		H30A97	H30A97	H30A97	VEGETABLE DRAWER WITH VENTILATOR AND FRONT PANEL
45	H17A157	H17A157	H17A157	Shim for Cat. H20A388 (.031" thick)		H12X2	H12X2	H12X2	Front panel for vegetable drawer
	H20A159	H20A446	H20A159	Shim for Cat. H20A388 (.062" thick)		H20A398	H20A398	H20A398	Screw for front panel (10-30)
	56X364	56X364	56X364	Shim for Cat. H20A388 (.062" thick)		H30A103	H30A98	H30A115	White fiber washer for Cat. H12X2
46	H20A389	H20A389	H20A389	Shim for Cat. H17A157 (.031" thick)	60	H30A104	H30A99	H30A116	Black fiber washer for Cat. H12X2
46	H20A350	H20A350	H20A390	Shim for Cat. H17A157 (.062" thick)	61	H30A105	H30A100	H30A117	Ventilator slide
					62	H20A400	H20A400	H20A405	Cam for ventilator slide
						H20A401	H20A401	H20A401	Screw for Cat. H30A97 (10-30)
						H5X20	H5X20	H5X20	White fiber washer for Cat. H12X2
									Pan only, for vegetable drawer
									Frame for vegetable drawer cover
									Glass Cover for vegetable drawer
									Support for vegetable drawer
									Rubber foot for Cat. H20A400 or H20A405
									Cabinet insulation (Kimsul, 18' roll)

\*For use on later production cabinets using prestole tapping strips and stainless steel screws.

The parts for the PB8-40B are the same as for type PB8-40A except for the few changes and additions necessitated by the addition of acoustic muffling for the Refrigerating Machine. The following parts are used in addition to those shown above for the PB8-40A. There are a few changes which are marked with an asterisk in the list below.

Cat. No.	Name of Part	Cat. No.	Name of Part
H20A440	Side baffle between condenser and back of outer case	6X815	Lockwasher for Cat. 69X244
H20A441	Side baffle between Cat. H20A440 and back of outer case, right-hand side	I06775	Cap screw fastening Cat. H27A123 to back angle of base (5/16 in.-18)
H20A442	Side baffle between Cat. H20A440 and back of outer case, left-hand side	175530	Washer for Cat. I06775 (1 1/8 in. O.D.)
173533	Screw fastening Cat. H20A440 to condenser (No. 10)	H20A444	Rubber grommet for Cat. I06775
I65736	Washer for Cat. 173533	*153608	Cap screw fastening refrigerating machine to front angle of base (5/16 in.-18)
H20A170	Clip fastening Cat. H20A441 or H20A442 to H20A440	177811	Nut for Cat. 153608
174888	Screw for Cat. H20A170 (No. 8)	91X649	Lockwasher for Cat. 153608
H20A443	Baffle for back of condenser, bottom	175530	Washer for Cat. 153608 (1 1/8 in. O.D.)
*92X873	Screw fastening baffle and Rubber spacer to condenser (No. 8)	H20A445	Rubber bushing for Cat. 153608
80X132	Washer for Cat. 92X873	H20A446	Baffle for front angle of base
*H27A122	Base	70X33	Screw fastening baffle to front angle of base (No. 10)
H27A123	Bracket supporting back of refrigerating machine	I65736	Washer for Cat. 70X33
69X244	Cap screw fastening refrigerating machine to Cat. H27A123 (3/8 in.-16)	H22A51	Insulation for side of refrigerating machine compartment
		H22A52	Insulation for lower door panel

\*These are changes in the parts used in the PB8-40A. All others are additions.

Always Give Catalog Number

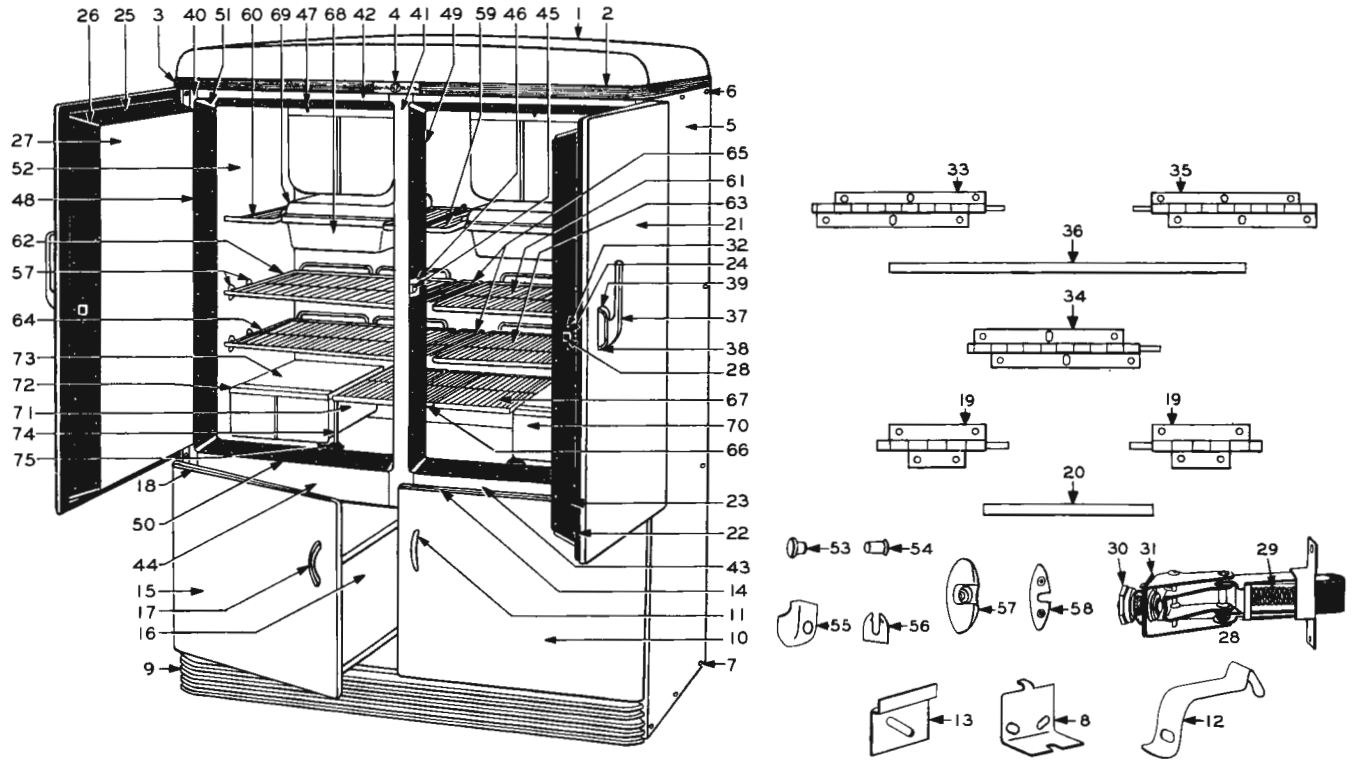
# PB12A, PB12-40A, PB16A, PB16-40A

FOR REFRIGERATING MACHINE PARTS REFER TO CE-34D UNIT

## Accessories

Quan.	Catalog Number		Description	Quan.	Catalog Number		Description
	PB12A PB12-40A	PB16A PB16-40A			PB12A PB12-40A	PB16A PB16-40A	
8	A5R17	A5R17	Freezing Tray	6	A2IR137	A2IR137	Oil Silk Covers for 3 7/8 in. dia. custard cups
1	A2IR80	A2IR80	Desert Tray	2	A2IR138	A2IR138	Oil Silk Covers for 5 1/8 in. dia. bowls
1	A2OR7	A2OR7	Separator Release for Freezing Tray	1	A2IR139	A2IR139	Butter Dish
1	A2IR87	A2IR87	Thermometer Case and Clip	1	A2IR140	A2IR140	Water Bottle
1	A2IR128	A2IR128	Thermometer only	1	A2IR184	A2IR184	Handle for Water Bottle
1	A2IR129	A2IR129	Clip for Thermometer	1	A2IR185	A2IR185	Cover for Water Bottle
1	NP75762A	NP75762A	Case for Thermometer	1	A2IR186	A2IR186	Rivet for Cover for Water Bottle
2	A2IR178	A2IR181	Air Filter	1	A2IR143	A2IR143	Band for Water Bottle Handle
2	A2IR179	A2IR182	Perforated Container for Air Filter	1	58X275	58X275	Screw for Handle for Water Bottle
2	A2IR174	A2IR174	End Cap for Air Filter, Right	1	H20A402	H20A402	Sleeve Nut for Cat. 58X275
2	A2IR175	A2IR175	End Cap for Air Filter, Left	1	A2IR144	A2IR144	Water Bottle, only
2	NP81609A	NP81609A	Nameplate for Air Filter	1	A2IR145	A2IR145	Set of Pyrex Dishes
2	NP81609B	NP81609B	Clip for Nameplate	6	A2IR146	A2IR146	Custard Cup
4	58X369	58X369	Screw for Nameplate Clip (No. 4)	2	A2IR147	A2IR147	Casserole (8 1/2 in. dia.)
1	*A2OR11	*A2OR11	Package of Activated Carbon for Air Filter	1	A2IR148	A2IR148	Casserole (7 in. dia.)
1	A2IR136	A2IR136	Rack for Custard Cups	2	A2IR149	A2IR149	Bowl (5 in. dia.)

\* Not furnished with cabinet.



## Cabinet Parts

Ref. No.	Catalog Number		Description	Ref. No.	Catalog Number		Description
	PB12A PB12-40A	PB16A PB16-40A			PB12A PB12-40A	PB16A PB16-40A	
1	H4A58	H4A59	TOP COVER FOR CABINET	91X648	91X648	Screw for Cat. H20A370 (No. 8)	
	H13A218	H13A221	Gasket for top cover, front and sides	H20A371	H20A371	Clamp for refrigerant line, upper	
	H13A219	H13A222	Gasket for top cover, back	H20A243	H20A243	Rubber spacer for Cat. H20A371	
	H20A367	H20A367	Clip for top cover, front	H20A62	H20A62	Screw for Cat. H20A243 (No. 8)	
	145995	145995	Screw for Cat. H20A367 (10-32)	80X132	80X132	Washer for Cat. H20A62	
	H20A368	H20A368	Bracket for top cover, back	H20A202	H20A202	Clamp for refrigerant line, lower	
	91X648	91X648	Screw for Cat. H20A368 (No. 8)	91X648	91X648	Screw for Cat. H20A202 (No. 8)	
	H20A369	H20A369	Bracket for outer case, back	H27A100	H27A103	BASE	
	91X648	91X648	Screw for Cat. H20A369 (No. 8)	H20A374	H20A374	Partition between storage bin and refrigerating machine compartments	
	20X527	20X527	Screw fastening Cat. H20A368 to H20A369 (1/4 in.-20)	H20A263	H20A263	Rubber button bumper	
	12X540	12X540	Nut for Cat. 20X527	H20A75	H20A75	Washer for Cat. H20A263	
	143974	143974	Washer for Cat. 20X527	H22A43	H22A43	Sound insulation for Cat. H20A374	
2	H18A159	H18A170	Trim for top cover, right	126915	126915	Screw for Cat. H20A374 (8-32)	
3	H18A160	H18A169	Trim for top cover, left	H20A375	H20A375	Speed nut for Cat. 126915	
	58X287	58X287	Screw for trim (No. 8)	H31A32	H31A32	Roller and bracket for storage bin	
4	NP70481	NP70481	Nameplate	11X339	11X339	Screw for H31A32 (10-30)	
	H2A105	H2A106	OUTER CASE	165736	165736	Washer for Cat. 11X339	
5	H8A89	H8A89	Panel, side, right	H20A239	H20A239	Catch for spring clip Cat. H20A241	
	H8A90	H8A90	Panel, side, left	91X648	91X648	Screw for Cat. H20A239 (No. 8)	
6	H20A49	H20A49	Screw for Cat. H8A89 or H8A90, top or side (No. 8)	279364	279364	Cap screw fastening outer case to base (5/16 in.-18)	
7	91X299	91X299	Screw for Cat. H8A89 or H8A90, bottom (No. 8)	61X328	61X328	Lockwasher for Cat. 279364	
	H18A38	H18A38	Washer for Cat. H20A49 or 91X299	261646	261646	Cap screw fastening refrigerating machine to base (5/16 in.-18)	
	H20A409	H20A409	Nut for Cat. 91X299	177811	177811	Nut for Cat. 261646	
	136979	136979	Screw for refrigerant line sealing plate (10-24)				
	H20A370	H20A370	Support for refrigerant line sealing plate				

Always Give Catalog Number

# PB12A, PB12-40A, PB16A, PB16-40A (Cont.)

Ref. No.	Catalog Number		Description	Ref. No.	Catalog Number		Description
	PB12A PB12-40A	PB16A PB16-40A			PB12A PB12-40A	PB16A PB16-40A	
9	H18A22 H27A119 H20A377 221423 H7A262	H18A22 H27A120 H20A377 221423 H7A264	Washer for Cat. 261646 Grille for base Spring clip for Grille Rivet for Cat. H20A377	43	H18A167	H18A172	Trim, front, bottom cross piece, refrigerating machine side
10	H7A262	H7A264	REFRIGERATING MACHINE COMPARTMENT DOOR PANEL	44	H18A168 H20A138 H10A145 H20A86 H20A138	H18A173 11X339 H20A138* H10A146 H20A86	Trim, front, bottom cross piece, storage bin side Screw for trim (10-30) Washer for Cat. 11X339 Strip for outer case, top Screw for Cat. H10A146 or H10A145 (10-30)
11	H20A407 H20A138 105113 54X441	H20A407 H20A138 105113 54X441	Sound insulation for refr. machine comp. door Handle for refr. machine comp. door Washer between handle and door Screw for Cat. H20A407 (10-32)	45	H14A220 H14A220 11X339	H14A220 H14A220 11X339	Lockwasher for Cat. 105113 Strike case Screw for strike (10-30)
12	H20A241 105113 200384 165736 H20A263 H20A75	H20A241 105113 200384 165736 H20A263 H20A75	Spring clip for refr. machine comp. door Screw for Cat. H20A241 (10-32) Nut for Cat. 105113 Washer for Cat. 105113 Rubber button bumper for refr. machine comp. door	46	H17A195 H18A3 H18A3 H18A3	58X310 16A21H3 H13A181 H12X2	Lockwasher for Cat. 11X339 Door switch Gasket for Cat. 16A21H3 (10-30) Screw for Cat. 16A21H3 (10-30)
13	H20A181 H20A49 H20A240	H20A181 H20A49 H20A240	Washer for Cat. H20A263 Support for refr. machine comp. door Screw for Cat. H20A181 (No. 8) Washer for Cat. H20A49	47	H10A130 H10A131 H10A133 H10A132	H10A130 H10A131 H10A133 H10A137	Door jamb strip, hinge side Door jamb strip, latch side Door jamb strip, top Door jamb strip, bottom
14	H18A161 H20A358	H18A157 H20A358	Trim and clips for refr. machine comp. door Clip for Cat. H18A157 or H18A161	48	H12X2 H9A34 H9A34	H12X2 H9A34 H9A34	Screw for door jamb strip (10-30) Door jamb corner Door jamb corner
15	H7A263 H22A42	H7A265 H22A44	STORAGE BIN DOOR PANEL Sound insulation for storage bin door	49	H3A131 H17A194 H17A195	H3A132 H17A194 H17A195	INNER LINER WITH SHELF SUPPORTS Shelf support, headed, white (1/2 in. long) Shelf support, straight, white (3/4 in. long)
16	H31A42 91X648 165736	H31A43 91X648 165736	Storage bin Screw fastening storage bin to panel (No. 8) Washer for Cat. 91X648	50	H12A2 H18A3 H20A388 H20A393	H12A2 H18A3 H20A388 H20A393	Support for vegetable drawer Shim for Cat. H20A388 (.031 in. thick)
17	H20A407 H20A138 105113 54X441 H31A32 H20A628 H20A378	H20A407 H20A138 105113 54X441 H31A32 H20A628 H20A378	Handle for storage bin door Washer between handle and door Screw for Cat. H20A407 Lockwasher for Cat. 105113 Roller and Bracket for Storage Bin Roller Only Catch for storage bin Screw for Cat. H20A378 (10-30)	51	H20A394 H17A238 H20A391 H20A392 H20A159 58X364 H20A382 91X648 105136	H20A394 H17A238 H20A391 H20A392 H20A159 58X364 H20A382 91X648 105136	Shim for Cat. H20A394 (.062 in. thick) Shelf support, single slot (1 1/16 in. high) Shim for Cat. H17A238 (.031 in. thick) Shim for Cat. H17A238 (.062 in. thick) Screw for Cat. H20A388 or H17A238 (10-30) Lockwasher for Cat. H20A159 Bracket for lamp receptacle Screw for Cat. H20A382 (No. 8) Top plate for inner liner Screw fastening inner liner cover or top plate to inner liner (10-32)
18	H20A138 105113 54X441 H31A32	H20A138 105113 54X441 H31A32	Washer for Cat. H12X2 Stop for storage bin (1/4 in.-20) Nut for Cat. 46X808 Lockwasher for Cat. 46X808	52	H20A382 91X648 105136	H20A382 91X648 105136	Shim for Cat. H12X2 Stop for storage bin (1/4 in.-20) Nut for Cat. 46X808 Lockwasher for Cat. 46X808
19	H18A162 H20A358	H18A158 H20A358	Trim and clips for storage bin door Clip for Cat. H18A158 or H18A162	53	H20A382 91X648 105136	H20A382 91X648 105136	Shim for Cat. H20A382 (.031 in. thick) Shim for Cat. H20A382 (.062 in. thick) Screw for Cat. H20A382 (10-30)
20	H16A47 H16A48 11X339	H16A47 H16A48 11X339	Hinge for storage bin door Spacing rod for hinge Screw for hinge (10-30)	54	H17A288 78X719 H19A29 H20A49 H20A406 H20A265 H20A266 H20A267 H20A268 H20A379	H17A288 78X719 H19A29 H20A49 H20A406 H20A265 H20A266 H20A267 H20A268 H20A379	Shelf, top, right-hand Shelf, top, left-hand Sliding shelf, right-hand, second from bottom Sliding shelf, left-hand, second from bottom Sliding shelf, right-hand, first from bottom Sliding shelf, left-hand, first from bottom Stop for Shelf, RH Stop for Shelf, LH Shelf, center, first and second from bottom Shelf, center, bottom Shelf, bottom, right or left Lamp receptacle Lamp guard Screw for Cat. H19A29 (No. 8) Connector with insulation for leads Heater for mullion (32 volts) Heater for mullion (65 volts) Heater for mullion (115 volts) Heater for mullion (230 volts) Spring clip for mullion heater
21	H7A301 H7A302 H13A184	H7A304 H7A305 H13A189	RIGHT-HAND DOOR LEFT-HAND DOOR Outer door panel (right-hand door) Outer door panel (left-hand door) Door gasket	55	H30A126 H30A95 H12X2 H20A398 H20A399 H30A96 H30A97 H12X2 H20A398 H20A399 H30A127 H30A128 H30A129 H20A408 H20A384 H5X20	H30A126 H30A95 H12X2 H20A398 H20A399 H30A96 H30A97 H12X2 H20A398 H20A399 H30A127 H30A128 H30A129 H20A408 H20A384 H5X20	Support for vegetable drawer Glass Cover for vegetable drawer Support for vegetable drawer Rubber base for Cat. H20A408 Cabinet insulation (Kimsul, 18" roll)
22	H10A126	H10A126	Door strip, latch side, with escutcheon for latch bolt	56	H20A398 H20A393 H20A394 H17A238 H20A391 H20A392 H20A159 58X364 H20A382 91X648 105136	H20A398 H20A393 H20A394 H17A238 H20A391 H20A392 H20A159 58X364 H20A382 91X648 105136	Shim for Cat. H20A398 (.031 in. thick) Shim for Cat. H20A394 (.062 in. thick) Shelf support, single slot (1 1/16 in. high) Shim for Cat. H17A238 (.031 in. thick) Shim for Cat. H17A238 (.062 in. thick) Screw for Cat. H20A388 or H17A238 (10-30) Lockwasher for Cat. H20A159 Bracket for lamp receptacle Screw for Cat. H20A382 (No. 8) Top plate for inner liner Screw fastening inner liner cover or top plate to inner liner (10-32)
23	H15A41 H10A128 H10A127	H15A41 H10A128 H10A134	Escutcheon for latch bolt Door strip, hinge side Door strip, top or bottom	57	H17A288 78X719 H19A29 H20A49 H20A406 H20A265 H20A266 H20A267 H20A268 H20A379	H17A288 78X719 H19A29 H20A49 H20A406 H20A265 H20A266 H20A267 H20A268 H20A379	Shelf, top, right-hand Shelf, top, left-hand Sliding shelf, right-hand, second from bottom Sliding shelf, left-hand, second from bottom Sliding shelf, right-hand, first from bottom Sliding shelf, left-hand, first from bottom Stop for Shelf, RH Stop for Shelf, LH Shelf, center, first and second from bottom Shelf, center, bottom Shelf, bottom, right or left Lamp receptacle Lamp guard Screw for Cat. H19A29 (No. 8) Connector with insulation for leads Heater for mullion (32 volts) Heater for mullion (65 volts) Heater for mullion (115 volts) Heater for mullion (230 volts) Spring clip for mullion heater
24	H12X2 H9A33	H12X2 H9A33	Screw for door strip (10-30) Door corner	58	H20A382 91X648 105136	H20A382 91X648 105136	Shim for Cat. H12X2 Shim for Cat. H12X2 (.062 in. thick) Screw for Cat. H20A382 (10-30)
25	H7A254 H7A181	H7A261 H7A185	Inner door panel, right-hand door Inner door panel, left-hand door	59	H17A288 78X719 H19A29 H20A49 H20A406 H20A265 H20A266 H20A267 H20A268 H20A379	H17A288 78X719 H19A29 H20A49 H20A406 H20A265 H20A266 H20A267 H20A268 H20A379	Shelf, top, right-hand Shelf, top, left-hand Sliding shelf, right-hand, second from bottom Sliding shelf, left-hand, second from bottom Sliding shelf, right-hand, first from bottom Sliding shelf, left-hand, first from bottom Stop for Shelf, RH Stop for Shelf, LH Shelf, center, first and second from bottom Shelf, center, bottom Shelf, bottom, right or left Lamp receptacle Lamp guard Screw for Cat. H19A29 (No. 8) Connector with insulation for leads Heater for mullion (32 volts) Heater for mullion (65 volts) Heater for mullion (115 volts) Heater for mullion (230 volts) Spring clip for mullion heater
26	H15A72 H15A44	H15A72 H15A44	Latch with gasket and nut Spring for latch	60	H31A44 H31A45 H31A46 H30A126 H30A95 H12X2 H20A398 H20A399 H30A96 H30A97 H12X2 H20A398 H20A399 H30A127 H30A128 H30A129 H20A408 H20A384 H5X20	H31A44 H31A45 H31A46 H30A126 H30A95 H12X2 H20A398 H20A399 H30A96 H30A97 H12X2 H20A398 H20A399 H30A127 H30A128 H30A129 H20A408 H20A384 H5X20	Upper door panel, right-hand door Upper door panel, left-hand door Latch with gasket and nut Spring for latch
27	H15A45 H13A148	H15A45 H13A148	Nut for latch and handle Gasket between latch and outer door panel	61	H20A382 91X648 105136	H20A382 91X648 105136	Shim for Cat. H20A382 (.031 in. thick) Shim for Cat. H20A382 (.062 in. thick) Screw for Cat. H20A382 (10-30)
28	11X339 165736	11X339 165736	Screw fastening latch to door strip (10-30) Washer for Cat. 11X339	62	H17A288 78X719 H19A29 H20A49 H20A406 H20A265 H20A266 H20A267 H20A268 H20A379	H17A288 78X719 H19A29 H20A49 H20A406 H20A265 H20A266 H20A267 H20A268 H20A379	Shelf, top, right-hand Shelf, top, left-hand Sliding shelf, right-hand, second from bottom Sliding shelf, left-hand, second from bottom Sliding shelf, right-hand, first from bottom Sliding shelf, left-hand, first from bottom Stop for Shelf, RH Stop for Shelf, LH Shelf, center, first and second from bottom Shelf, center, bottom Shelf, bottom, right or left Lamp receptacle Lamp guard Screw for Cat. H19A29 (No. 8) Connector with insulation for leads Heater for mullion (32 volts) Heater for mullion (65 volts) Heater for mullion (115 volts) Heater for mullion (230 volts) Spring clip for mullion heater
29	H16A45	H16A45	Upper hinge for right-hand, or lower hinge for left-hand door	63	H31A44 H31A45 H31A46 H30A126 H30A95 H12X2 H20A398 H20A399 H30A96 H30A97 H12X2 H20A398 H20A399 H30A127 H30A128 H30A129 H20A408 H20A384 H5X20	H31A44 H31A45 H31A46 H30A126 H30A95 H12X2 H20A398 H20A399 H30A96 H30A97 H12X2 H20A398 H20A399 H30A127 H30A128 H30A129 H20A408 H20A384 H5X20	Upper hinge for right-hand, or lower hinge for left-hand door
30	H16A44 H16A60 H16A46	H16A44 H16A60 H16A46	Upper hinge for left-hand door Lower hinge for right-hand door Spacer rod for hinge	64	H20A382 91X648 105136	H20A382 91X648 105136	Shim for Cat. H20A382 (.031 in. thick) Shim for Cat. H20A382 (.062 in. thick) Screw for Cat. H20A382 (10-30)
31	11X339 11X339	11X339 11X339	Screw fastening hinge to outer door panel (10-30) Screw fastening latch handle to outer door panel (No. 8)	65	H17A288 78X719 H19A29 H20A49 H20A406 H20A265 H20A266 H20A267 H20A268 H20A379	H17A288 78X719 H19A29 H20A49 H20A406 H20A265 H20A266 H20A267 H20A268 H20A379	Shelf, top, right-hand Shelf, top, left-hand Sliding shelf, right-hand, second from bottom Sliding shelf, left-hand, second from bottom Sliding shelf, right-hand, first from bottom Sliding shelf, left-hand, first from bottom Stop for Shelf, RH Stop for Shelf, LH Shelf, center, first and second from bottom Shelf, center, bottom Shelf, bottom, right or left Lamp receptacle Lamp guard Screw for Cat. H19A29 (No. 8) Connector with insulation for leads Heater for mullion (32 volts) Heater for mullion (65 volts) Heater for mullion (115 volts) Heater for mullion (230 volts) Spring clip for mullion heater
32	H16A45	H16A45	Upper hinge for right-hand, or lower hinge for left-hand door	66	H31A44 H31A45 H31A46 H30A126 H30A95 H12X2 H20A398 H20A399 H30A96 H30A97 H12X2 H20A398 H20A399 H30A127 H30A128 H30A129 H20A408 H20A384 H5X20	H31A44 H31A45 H31A46 H30A126 H30A95 H12X2 H20A398 H20A399 H30A96 H30A97 H12X2 H20A398 H20A399 H30A127 H30A128 H30A129 H20A408 H20A384 H5X20	Upper hinge for right-hand, or lower hinge for left-hand door
33	H16A44 H16A60 H16A46	H16A44 H16A60 H16A46	Upper hinge for left-hand door Lower hinge for right-hand door Spacer rod for hinge	67	H20A382 91X648 105136	H20A382 91X648 105136	Shim for Cat. H20A382 (.031 in. thick) Shim for Cat. H20A382 (.062 in. thick) Screw for Cat. H20A382 (10-30)
34	11X339 91X648	11X339 91X648	Screw fastening hinge to outer door panel (10-30) Screw fastening latch handle to outer door panel (No. 8)	68	H17A288 78X719 H19A29 H20A49 H20A406 H20A265 H20A266 H20A267 H20A268 H20A379	H17A288 78X719 H19A29 H20A49 H20A406 H20A265 H20A266 H20A267 H20A268 H20A379	Shelf, top, right-hand Shelf, top, left-hand Sliding shelf, right-hand, second from bottom Sliding shelf, left-hand, second from bottom Sliding shelf, right-hand, first from bottom Sliding shelf, left-hand, first from bottom Stop for Shelf, RH Stop for Shelf, LH Shelf, center, first and second from bottom Shelf, center, bottom Shelf, bottom, right or left Lamp receptacle Lamp guard Screw for Cat. H19A29 (No. 8) Connector with insulation for leads Heater for mullion (32 volts) Heater for mullion (65 volts) Heater for mullion (115 volts) Heater for mullion (230 volts) Spring clip for mullion heater
35	H16A44 H16A60 H16A46	H16A44 H16A60 H16A46	Upper hinge for left-hand door Lower hinge for right-hand door Spacer rod for hinge	69	H31A44 H31A45 H31A46 H30A126 H30A95 H12X2 H20A398 H20A399 H30A96 H30A97 H12X2 H20A398 H20A399 H30A127 H30A128 H30A129 H20A408 H20A384 H5X20	H31A44 H31A45 H31A46 H30A126 H30A95 H12X2 H20A398 H20A399 H30A96 H30A97 H12X2 H20A398 H20A399 H30A127 H30A128 H30A129 H20A408 H20A384 H5X20	Upper hinge for left-hand door Lower hinge for right-hand door Spacer rod for hinge
36	11X339 11X339	11X339 11X339	Screw fastening hinge to outer door panel (10-30) Screw fastening latch handle to outer door panel (No. 8)	70	H20A382 91X648 105136	H20A382 91X648 105136	Shim for Cat. H20A382 (.031 in. thick) Shim for Cat. H20A382 (.062 in. thick) Screw for Cat. H20A382 (10-30)
37	NP80196 58X370 H20A385	NP80196 58X370 H20A385	"Deluxe" nameplate Fastener for NP80196 Washer for NP80196	71	H17A288 78X719 H19A29 H20A49 H20A406 H20A265 H20A266 H20A267 H20A268 H20A379	H17A288 78X719 H19A29 H20A49 H20A406 H20A265 H20A266 H20A267 H20A268 H20A379	Shelf, top, right-hand Shelf, top, left-hand Sliding shelf, right-hand, second from bottom Sliding shelf, left-hand, second from bottom Sliding shelf, right-hand, first from bottom Sliding shelf, left-hand, first from bottom Stop for Shelf, RH Stop for Shelf, LH Shelf, center, first and second from bottom Shelf, center, bottom Shelf, bottom, right or left Lamp receptacle Lamp guard Screw for Cat. H19A29 (No. 8) Connector with insulation for leads Heater for mullion (32 volts) Heater for mullion (65 volts) Heater for mullion (115 volts) Heater for mullion (230 volts) Spring clip for mullion heater
38	H20A6 H15A74	H20A6 H15A74	Screw for thermometer clip (4-48) Latch handle without escutcheon	72	H31A44 H31A45 H31A46 H30A126 H30A95 H12X2 H20A398 H20A399 H30A96 H30A97 H12X2 H20A398 H20A399 H30A127 H30A128 H30A129 H20A408 H20A384 H5X20	H31A44 H31A45 H31A46 H30A126 H30A95 H12X2 H20A398 H20A399 H30A96 H30A97 H12X2 H20A398 H20A399 H30A127 H30A128 H30A129 H20A408 H20A384 H5X20	Upper door panel, right-hand door Upper door panel, left-hand door Latch with gasket and nut Spring for latch
39	H15A75 H13A223	H15A75 H13A223	Escutcheon for latch handle Gasket between latch handle and outer door panel	73	H20A382 91X648 105136	H20A382 91X648 105136	Shim for Cat. H20A382 (.031 in. thick) Shim for Cat. H20A382 (.062 in. thick) Screw for Cat. H20A382 (10-30)
40	11X339 H18A163	11X339 H18A163	Screw fastening hinge to cabinet (10-30) Trim, front, left side	74	H17A288 78X719 H19A29 H20A49 H20A406 H20A265 H20A266 H20A267 H20A268 H20A379	H17A288 78X719 H19A29 H20A49 H20A406 H20A265 H20A266 H20A267 H20A268 H20A379	Shelf, top, right-hand Shelf, top, left-hand Sliding shelf, right-hand, second from bottom Sliding shelf, left-hand, second from bottom Sliding shelf, right-hand, first from bottom Sliding shelf, left-hand, first from bottom Stop for Shelf, RH Stop for Shelf, LH Shelf, center, first and second from bottom Shelf, center, bottom Shelf, bottom, right or left Lamp receptacle Lamp guard Screw for Cat. H19A29 (No. 8) Connector with insulation for leads Heater for mullion (32 volts) Heater for mullion (65 volts) Heater for mullion (115 volts) Heater for mullion (230 volts) Spring clip for mullion heater
41	H18A164 H18A165	H18A164 H18A165	Trim, front, right side Trim, front, mullion	75	H31A44 H31A45 H31A46 H30A126 H30A95 H12X2 H20A398 H20A399 H30A96 H30A97 H12X2 H20A398 H20A399 H30A127 H30A128 H30A129 H20A408 H20A384 H5X20	H31A44 H31A45 H31A46 H30A126 H30A95 H12X2 H20A398 H20A399 H30A96 H30A97 H12X2 H20A398 H20A399 H30A127 H30A128 H30A129 H20A408 H20A384 H5X20	Upper door panel, right-hand door Upper door panel, left-hand door Latch with gasket and nut Spring for latch
42	H18A166	H18A171	Trim, front, top cross piece, right or left side	76	H20A382 91X648 105136	H20A382 91X648 105136	Shim for Cat. H20A382 (.031 in. thick) Shim for Cat. H20A382 (.062 in. thick) Screw for Cat. H20A382 (10-30)

\* Early production PB12A and PB12-40A Cabinets did not have a small bottom shelf at each side next to the vegetable drawers. Cat. No. H17A288 Shelf, used on later production, will not fit these early models and we have therefore made up a special shelf for them. It is covered by Cat. No. H17A297.



***NOTE***

The following 1941 Cabinets will  
be found in 1940 Cabinet Section.

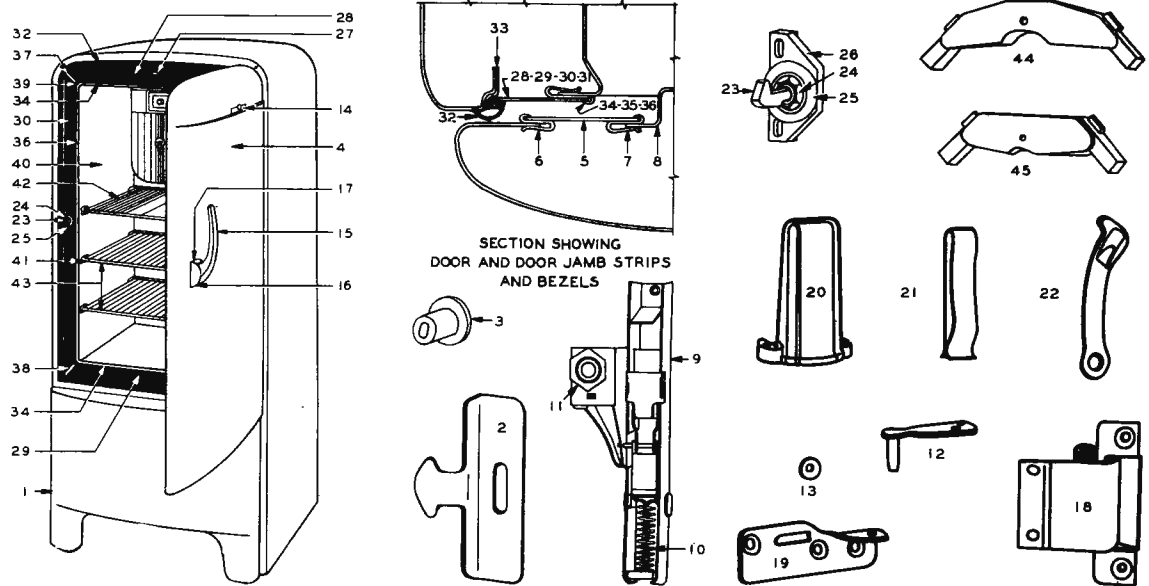
**LB3B, LB3C**

**B3B, B3C**

**BY4B, BY4C**

# LB4-40C, LB4C, LB4D, LB4E

FOR REFRIGERATING MACHINE PARTS REFER TO FBA-1A UNIT



## Accessories

Quan.	Cat. No.		Description
	LB4-40C	LB4C, D, E	
2	A5R17	*A5R23	Freezing tray
1	A20R7	A21R229	Tray lifter
1	A4R9	A4R9	Chiller tray

\* Model LB4E is equipped with 1 Cat. A5R23 freezing tray.

## Cabinet Parts

Ref. No.	Cat. No.	Description
	H20A411	Back plate for outer case
	H13A227	Gasket for back plate Cat. H20A411
	87X736	Screw fastening back plate to outer case or for refrigerant line sealing plate (No. 8)
	80X132	Washer for Cat. 87X736
	98X582	Screw fastening condenser to outer case, upper (No. 10)
	165736	Washer for Cat. 98X582
	H20A530	Spacer between condenser and outer case
	H20A243	Rubber spacer for back of condenser
	H20A62	Screw for rubber spacer
	80X132	Washer for Cat. H20A62
	68X170	Cap screw fastening condenser to outer case, lower (5/16 in.-18)
	71X272	Screw fastening refrigerating machine to angle support (5/16 in.-18)
	177811	Nut for Cat. 68X170 or 71X272
	H18A22	Washer for Cat. 68X170 or 71X272
1	H7A307	LOWER DOOR PANEL (RH CABINET)
	H7A308	LOWER DOOR PANEL (LH CABINET)
	H20A242	Rubber button spacer for lower door panel
2	H20A413	Catch for lower door panel
	91X648	Screw for Cat. H20A413 (No. 8)
	58X310	Washer for Cat. 91X648
3	H20A412	Bushing for lower door panel
	-	DOOR FOR CABINET
4	H7A397	Outer door panel (RH cabinet)
	H7A398	Outer door panel (LH cabinet)
5	H10A192	Door strip, top
	H10A193	Door strip, bottom
5	H10A194	Door strip, hinge side (RH cabinet)
5	H10A195	Door strip, hinge side (LH cabinet)
5	H10A196	Door strip, latch side (RH cabinet)
5	H10A197	Door strip, latch side (LH cabinet)
	H15A103	Escutcheon for latch bolt
	H20A531	Screw for Cat. H15A103 (4-48)
6	H18A193	Bezel fastening door strip to outer door panel, top
6	H18A194	Bezel fastening door strip to outer door panel, bottom

Ref. No.	Cat. No.	Description
6	H18A195	Bezel fastening door strip to outer door panel, latch side, upper
6	H18A196	Bezel fastening door strip to outer door panel, latch side, lower
6	H18A197	Bezel fastening door strip to outer door panel, hinge side, (RH cabinet)
6	H18A198	Bezel fastening door strip to outer door panel, hinge side, (LH cabinet)
7	H18A199	Bezel fastening door strip to inner door panel, side
7	H18A200	Bezel fastening door strip to inner door panel, top bottom
	H9A40	Door corner, straight, top
	H9A41	Door corner, curved, top
	H9A42	Door corner, straight, bottom
	H9A43	Door corner, curved, bottom
	H20A531	Screw fastening Cat. H9A41 or H9A43 to outer door panel (4-48)
	98X583	Screw fastening Cat. H9A40 or H9A42 to inner door panel (4-40)
	179789	Washer for Cat. 98X583
	87X736	Screw fastening inner door panel to brace (No. 8)
	H20A532	Spacer between inner door panel and brace
	H7A399	Inner door panel
8	H15A80	Latch with spring and gasket (RH door)
9	H15A81	Latch with spring and gasket (LH door)
10	H15A82	Coil spring for latch
	H43A232	Gasket between latch and outer door panel
11	H15A83	Nut for latch and handle
	H20A117	Washer for Cat. H15A83
	H20A417	Screw fastening latch to outer door panel (10-32)
12	H16A86	Anchor plate with pin for bottom hinge (RH door)
12	H16A87	Anchor plate with pin for bottom hinge (LH door)
13	H20A533	Rubber washer for anchor plate pin
	H20A418	Screw fastening anchor plate to outer door panel (10-32)
	H17A166	Washer for Cat. H20A418
	H20A534	Fiber washer for anchor plate pin
14	NP66086A	Nameplate

Always Give Catalog Number

## LB4-40C, LB4C, LB4D, LB4E (Cont.)

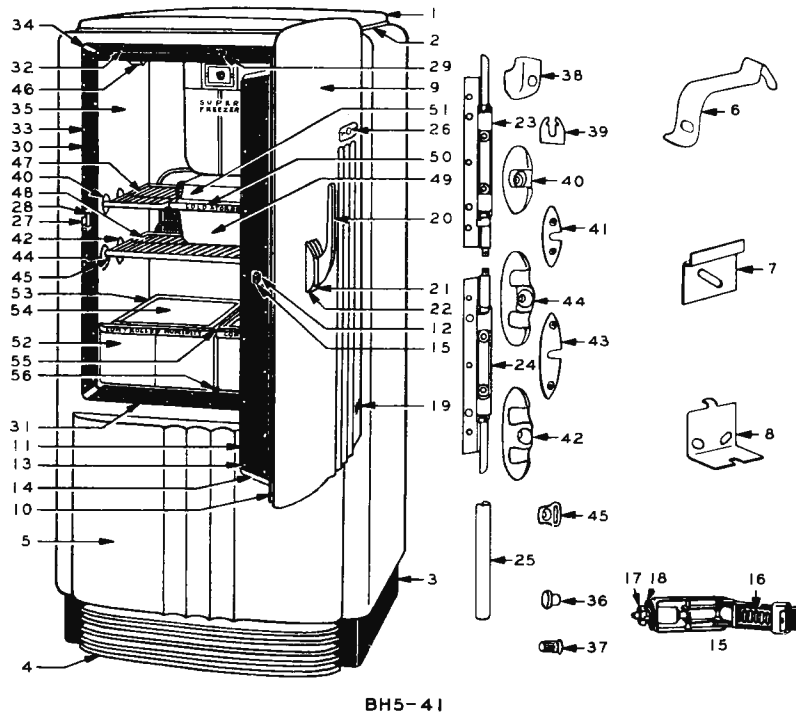
Ref. No.	Cat. No.	Description
14	WP66086B	Clip for nameplate
	H20A6	Screw for nameplate clip (4-48)
15	H15A62	Latch handle without escutcheon
16	H15A47	Escutcheon for Latch Handle (except LB4D)
16	H15A85	Escutcheon for Latch Handle (LB4D)
17	H13A149	Gasket between latch handle and outer door panel
18	H16A88	Hinge, top
	H20A437	Shim for top hinge
	I28619	Screw fastening top hinge to outer door panel (10-32)
	H20A419	Nut for screw fastening top hinge to outer case
	66X896	Lockwasher for Cat. H20A419
19	H16A89	Hinge, bottom, without anchor plate or pin (RH cabinet)
19	H16A90	Hinge, bottom, without anchor plate or pin (LH cabinet)
20	H16A91	Door stop thimble (RH cabinet)
20	H16A92	Door stop thimble (LH cabinet)
	H13A260	Gasket for door stop thimble
	98X584	Screw fastening bottom hinge and door stop thimble to outer case (10-32)
21	H16A93	Door stop spring
22	H16A94	Door stop link
	H20A535	Screw fastening door stop link to bottom of door (1/4 in.-20)
	H20A536	Cupped washer for Cat. H20A535
	66X896	Lockwasher for Cat. H20A535
23	H14A23	Strike for latch bolt
24	H14A24	Nut for strike
25	H14A25	Lockwasher for strike
26	H14A26	Support for strike
	H20A421	Screw for Cat. H14A26 (10-32)
	58X310	Lockwasher for Cat. H20A421
27	I6A21H11	Door switch
28	H10A198	Door jamb strip, top
29	H10A199	Door jamb strip, bottom
30	H10A200	Door jamb strip, latch side (RH cabinet)
30	H10A201	Door jamb strip, latch side (LH cabinet)
31	H10A202	Door jamb strip, hinge side (RH cabinet)
31	H10A203	Door jamb strip, hinge side (LH cabinet)
32	H13A233	Door gasket (RH cabinet)

Ref. No.	Cat. No.	Description
32	H13A237	Door gasket (LH cabinet)
33	H20A425	Retainer for gasket, top
33	H20A426	Retainer for gasket, left side
33	H20A427	Retainer for gasket, right side
33	H20A428	Retainer for gasket, bottom
34	H18A201	Bezel fastening door jamb strip to inner liner, top or bottom
35	H18A202	Bezel fastening door jamb strip to inner liner, hinge side
36	H18A203	Bezel fastening door jamb strip to inner liner, latch side
37	H9A44	Door jamb corner, top
38	H9A45	Door jamb corner, bottom (except LB4D)
38	H9A42	Door jamb corner, bottom (LB4D)
39	98X583	Screw for door jamb corner
	I79789	Washer for Cat. 98X583
40	H3A151	INNER LINER WITH SHELF SUPPORTS
41	H17A89	Shelf support
	H12A2	Screw for shelf support (1/4 in.-20)
	H20A429	Screw fastening evaporator to inner liner (10-32)
	H20A430	Fiber washer for Cat. H20A429
	H20A537	Back plate for inner liner
	92X531	Screw fastening back plate to inner liner (No. 8)
	I79789	Washer for Cat. 92X531
	H20A432	Bracket for tray lifter
	91X648	Screw for Cat. H20A432 (No. 8)
42	H17A290	Shelf, top (except LB4D)
42	H17A383	Shelf, top (LB4D)
43	H17A291	Shelf, middle or bottom (except LB4D)
43	H17A384	Shelf, middle or bottom (LB4D)
	78X913	Lamp receptacle
	H20A406	Connector with insulation for leads
44	H20A433	Bridge connecting inner liner to outer case, top
45	H20A434	Bridge connecting inner liner to outer case, bottom
	87X736	Screw fastening bridge to inner liner or to outer case (No. 8)
	80X132	Washer for Cat. 87X736
	H5X20	Cabinet insulation (Kimaul, 18' roll)

Always Give Catalog Number

# BH5-41A, BH5-41B

FOR REFRIGERATING MACHINE PARTS REFER TO CF-1H OR \*CF-11A MACHINES



BH5-41

### Accessories

Quan.	Cat. No.	Description
1	A5R23	Freezing tray
1	A21R229	Tray lifter
1	A21R87	Thermometer, case, and clip
1	A21R128	Thermometer only
1	NP75762A	Case for thermometer
1	A21R129	Clip for thermometer
1	A21R88	Water bottle
1	A21R127	Cap for water bottle

Quan.	Cat. No.	Description
1	A21R166	Air filter
1	A21R167	Perforated container for air filter
1	A21R134	End cap for air filter, right-hand side
1	A21R135	End cap for air filter, left-hand side
1	58X369	Screw for nameplate clip (No. 4)
1	A20R11	Activated carbon for air filter
1	NP81609A	Nameplate for air filter
1	NP81609B	Clip for nameplate

### Cabinet Parts

Ref. No.	Cat. No.	Description
1	H4A36	TOP COVER FOR CABINET
2	H13A225	Gasket for top cover
	H20A161	Clip for top cover, front
	H20A170	Clip for top cover, back
	H20A86	Screw for Cat. H20A161 (10-30)
	91X648	Screw fastening Cat. H20A170 or refrigerant line sealing plate to top cover (No. 8)
	58X374	Screw fastening Cat. H20A170 to outer case (No. 10)
	58X374	Screw fastening condenser to outer case (No. 10)
	H20A243	Rubber spacer for back of condenser
	H20A62	Screw for rubber spacer (No. 8)
	80X132	Washer for Cat. H20A62
3	H27A107	BASE
	91X208	Cap screw fastening condenser to base (5/16 in.-18)
	177811	Nut for Cat. 91X208
	H18A22	Washer for Cat. 91X208 (7/8 in.O.D.)
	H18A18	Washer for Cat. 91X208 (5/8 in.O.D.)
	20X536	Cap screw fastening outer case to base (1/4 in.-20)
	160980	Metal washer for Cat. 20X536
	H20A255	Fiber washer for Cat. 20X536
	71X272	Carriage bolt fastening refrigerating machine to base (5/16 in.-18)
	177811	Nut for Cat. 71X272
	91X649	Washer for Cat. 71X272
	H20A387	Bumper for grille
4	H27A108	Grille for base (BH-5-41A)

Ref. No.	Cat. No.	Description
	1X452	Nut fastening grille to lower door panel (BH-5-41A)
	H18A20	Washer for Cat. 1X452 (BH-5-41A)
4	H27A110	Grille for base (BH-5-41B)
	105136	Screw fastening grille to lower door panel (10-32) (BH-5-41B)
	200384	Nut for Cat. 105136 (BH-5-41B)
	H20A74	Washer for Cat. 105136 (BH-5-41B)
5	H7A215	LOWER DOOR PANEL
6	H20A241	Spring clip for lower door panel
	58X375	Screw for Cat. H20A241 (No. 8)
	165736	Washer for Cat. 58X375
	H20A242	Rubber button spacer for lower door panel
7	H20A181	Support for lower door panel
	58X376	Screw for Cat. H20A181 (No. 8)
	H20A240	Washer for Cat. 58X376
8	H20A239	Catch for spring clip Cat. H20A241
	91X648	Screw for Cat. H20A239 (No. 8)
9	-	DOOR FOR CABINET
	H7A283	Outer door panel (RH cabinet)
	H7A284	Outer door panel (LH cabinet)
10	H13A180	Door gasket
	H10A117	Door strip, hinge side
	H10A119	Door strip, top or bottom
11	H10A147	Door strip, latch side, with escutcheon for latch bolt
12	H15A41	Escutcheon for latch bolt
13	H20A381	Screw for door strip (No. 8)

\*The CF-11A Machines Do Not Have A Control Light When Used In These Cabinets.

Always Give Catalog Number



**BH5-41A, BH5-41B (Cont.)**

Ref. No.	Cat. No.	Description	Ref. No.	Cat. No.	Description
14	H9A31	Door corner	40	H17A238	Shelf support, single slot
	H7A218	Inner door panel	41	H20A391	Shim for Cat. H17A238
15	H15A63	Latch with gasket and nut	42	H17A197	Shelf support, double slot
16	H15A64	Spring for latch	43	H20A389	Shim for Cat. H17A197
17	H15A65	Nut for latch and handle		H20A159	Screw for Cat. H20A388, H17A238, or H17A197 (10-30)
18	H15A66	Gasket between latch and outer door panel		58X364	Lockwasher for Cat. H20A159
	H20A381	Screw fastening latch to door strip (No. 8)	44	H17A233	Shelf support, double slot, for lower shelf, front
19	NP80196	"Deluxe" nameplate	45	H20A395	Bracket for vegetable drawer cover frame
	58X370	Fastener for NP80196		H20A396	Screw for Cat. H17A233 (10-30)
	H20A385	Washer for NP80196		H20A382	Bracket for lamp receptacle
20	H15A74	Latch handle without escutcheon		91X648	Screw for Cat. H20A382 (No. 8)
21	H15A75	Escutcheon for latch handle		H20A110	Rubber plug for inner liner cover
22	H13A223	Gasket between latch handle and outer door panel		105136	Screw fastening inner liner cover to inner liner (10-32)
	91X648	Screw fastening latch handle to outer door panel (No. 8)		200384	Nut for Cat. 105136
23	H16A55	Upper hinge for RH door or lower hinge for LH door, without cover	46	H20A380	Washer for Cat. 105136
24	H16A56	Lower hinge for RH door or upper hinge for LH door, without cover		H20A282	Bracket for ice tray lifter
	H16A57	Spacer tube for hinge		91X648	Screw for Cat. H20A282 (No. 8)
25	H16A52	Cover for hinge		78X719	Lamp receptacle
	128619	Screw fastening hinge to door (10-32)		H20A406	Connector with insulation for leads
	167651	Screw fastening hinge to cabinet (12-28)		H17A240	Shelf, small, side of evaporator (BH-5-41A)
26	NP81731A	Nameplate		H17A243	Shelf, small, side of evaporator (BH-5-41B)
	NP81731B	Clip for nameplate	47	H17A241	Sliding shelf with stops, upper (BH-5-41A)
	H20A6	Screw for nameplate clip or thermometer clip (4-48)	47	H17A244	Sliding shelf with stops, upper (BH-5-41B)
27	H14A22	Strike for latch bolt	48	H17A242	Sliding shelf with stops, lower (BH-5-41A)
28	H14A20	Strike case	48	H17A245	Sliding shelf with stops, lower (BH-5-41B)
	H20A381	Screw for strike (No. 8)		H17A299	Stop for sliding shelf, right-hand side
	58X310	Lockwasher for Cat. H20A381		H17A300	Stop for sliding shelf, left-hand side
29	1GA21H3	Door switch		H20A248	Rubber bumper for upper sliding shelf
	H13A181	Gasket for door switch	49	H20A397	Rubber bumper for lower sliding shelf
	H12X2	Screw for door switch (10-30)		H31A47	Cold storage tray
	H20A406	Connector with insulation for leads	50	H18A176	Trim for cold storage tray
30	H10A120	Door jamb strip, hinge side	51	H31A48	Cover for cold storage tray
31	H10A121	Door jamb strip, latch side		H31A49	Rack for cold storage tray
32	H10A122	Door jamb strip, bottom	52	H30A101	VEGETABLE DRAWER WITH FRONT PANEL AND VENTILATOR
33	H10A123	Door jamb strip, top	52	H30A102	Front panel for vegetable drawer
34	H20A381	Screw for door jamb strip (No. 8)		H30A103	Pan only for vegetable drawer
35	H9A32	Door jamb corner		H30A96	Ventilator slide
36	H3A127	INNER LINER WITH SHELF SUPPORTS		H30A97	Cam for ventilator slide
	H17A194	Shelf support, headed		H12X2	Screw for Cat. H30A102 or H30A97 (10-30)
37	H17A195	Shelf support, straight		H20A398	Washer for Cat. H12X2 (7/16 in. O.D.)
	H12A2	Screw for Cat. H17A194 or H17A195 (1/4 in.-20)		H20A399	Washer for Cat. H12X2 (9/16 in. O.D.)
	H18A3	Washer for Cat. H17A194	53	H30A104	Frame for cover for vegetable drawer
38	H20A388	Support for vegetable drawer	54	H30A105	Cover for vegetable drawer
39	H20A393	Shim for Cat. H20A388	55	H20A400	Support for vegetable drawer
			56	H20A401	Rubber foot for Cat. H20A400
				H5X20	Cabinet insulation (Kimaul, 18' roll)

Always Give Catalog Number

# LB6D, LB6E, LB6F

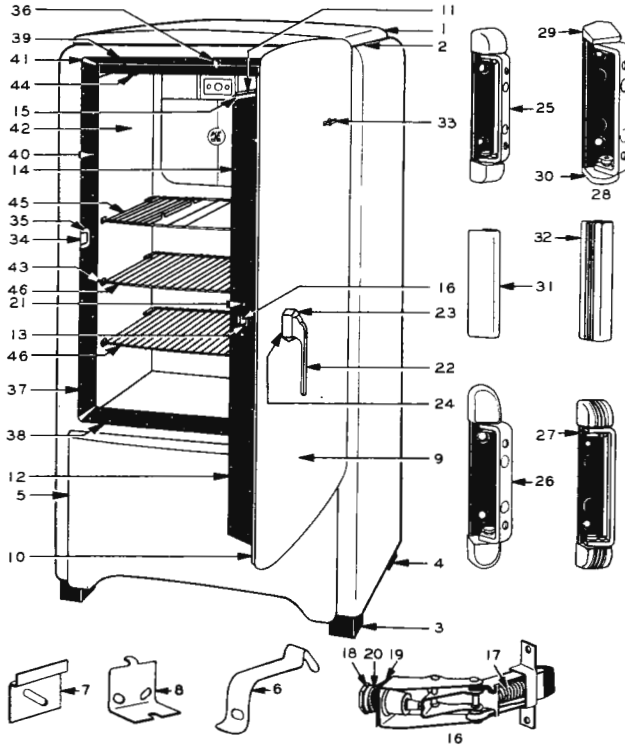
FOR REFRIGERATING MACHINE PARTS REFER TO CJ-2A UNIT (FOR LB6D) AND CJ-2C OR CJ-2E UNIT (FOR LB6E AND LB6F)

## Accessories

Quan.	Cat. No.	Description
4	*A5R31	Freezing tray
1	*A20R13	Lifter for freezing tray
1	A4R3	Chiller tray

\* Cat. A5R23 freezing tray and A21R229 tray lifter were furnished with some cabinets. Use either set complete. Do not mix the trays and lifters. Model LB6F is equipped with 2 freezing trays, Cat. A5R23 or A5R31.

## Cabinet Parts



Ref. No.	Cat. No.		Description
	LB6D	LB6E, F	
1	H4A34	H4A34	TOP COVER FOR CABINET
2	H13A154	H13A154	Gasket for Cat. H4A34
	H20A161	H20A161	Clip for top cover, front
	H20A162	H20A162	Clip for top cover, back
	H20A86	H20A86	Screw for Cat. H20A161 (10-30)
	91X648	91X648	Screw for Cat. H20A162 or refrigerant line sealing plate (No. 8)
3	69X893	69X893	Screw fastening condenser to outer case (No. 10)
	H20A243	H20A243	Rubber spacer for back of condenser
3	H20A62	H20A62	Screw fastening spacer to condenser (No. 8)
	80X132	80X132	Washer for Cat. H20A62
3	H27A90	-	Front angle with front gliders for base
	-	H27A138	Front angle for base
3	-	A2R15	Glider, front
	-	20X536	Cap screw for Cat. A2R15 (1/4 in.-20)
4	-	160980	Washer for Cat. 20X536
	H27A91	H27A139	Back angle for base
4	A2R13	A2R13	Glider, back
	267234	267234	Cap screw fastening back angle to back glider (5/16 in.-18)
4	177811	177811	Nut for Cat. 267234
	H18A18	H18A18	Washer for Cat. 267234
4	6X737	6X737	Cap screw fastening condenser to base (5/16 in.-18)
	H18A22	H18A22	Washer for Cat. 6X737
4	20X536	20X536	Cap screw fastening outer case to base (1/4 in.-20)
	160980	160980	Washer for Cat. 20X536
4	71X272	71X272	Screw fastening refrigerating machine to base (5/16 in.-18)
	177811	177811	Nut for Cat. 71X272
4	91X649	91X649	Washer for Cat. 71X272
	H7A222	H7A222	LOWER DOOR PANEL
5	H20A241	H20A241	Spring clip for lower door panel
	105113	105113	Screw for Cat. H20A241 (10-32)
6	200384	200384	Nut for Cat. 105113

Ref. No.	Cat. No.		Description
	LB6D	LB6E, F	
7	165736	165736	Washer for Cat. 105113
	H20A242	H20A242	Rubber button spacer for lower door panel
	H20A181	H20A181	Support for lower door panel
	H20A49	H20A49	Screw for Cat. H20A181 (No. 8)
	H20A240	H20A240	Washer for Cat. H20A49
8	H20A239	H20A239	Catch for spring clip Cat. H20A241
	91X648	91X648	Screw for Cat. H20A239 (No. 8)
9	-	-	DOOR FOR CABINET
9	H7A322	H7A322	Outer door panel (right-hand cabinet)
	H7A323	H7A323	Outer door panel (left-hand cabinet)
10	H13A147	H13A147	Door gasket
	H10A89	H10A89	Door strip, hinge side
11	H10A91	H10A91	Door strip, top or bottom
	H10A90	H10A90	Door strip, latch side, with escutcheon for latch bolt
13	H15A41	H15A41	Escutcheon for latch bolt
14	H20A381	H20A381	Screw for door strip (No. 8)
14	H1X339	H1X339	Screw for door strip (10-30)
15	H9A25	H9A25	Door corner
	H7A106	H7A106	Inner door panel
16	H15A43	H15A43	Latch with gasket, nut, and lockwasher
17	H15A44	H15A44	Spring for latch
18	H15A45	H15A45	Nut for latch and handle
19	H13A148	H13A148	Gasket between latch and outer door panel
20	H20A117	H20A117	Lockwasher for Cat. H15A45
21	92X882	92X882	Screw fastening latch to door strip, stainless steel (No. 10)
22	H20A6	H20A6	Screw for nameplate clip (4-48)
22	H15A50	H15A50	Latch handle without escutcheon
23	H15A31	H15A31	Escutcheon for latch handle
24	H13A104	H13A104	Gasket between latch handle and door panel
25	-	**H16A37	Hinge without cover
26	-	**H16A39	Hinge without cover
27	-	**H16A49	Hinge without cover
28	H16A71	**H16A71	Hinge without middle cover
29	H16A74	H16A74	End cover for H16A71, top, R.H. cabinet or bottom, L.H. cabinet
30	H16A75	H16A75	End cover for H16A71, bottom, R.H. cabinet or top, L.H. cabinet
31	H16A38	H16A38	Middle cover for hinge, Cat. H16A37, H16A39 or H16A71
32	-	H16A50	Middle cover for hinge Cat. H16A49
33	H20A47	H20A47	Screw fastening hinge to door (12-28)
	H20A386	H20A386	Screw fastening hinge to cabinet (12-28)
33	NP67860A	NP67860A	Nameplate
	NP67860B	NP67860B	Clip for nameplate
34	H14A22	H14A22	Strike for latch bolt
35	H14A20	H14A20	Strike case
36	92X882	92X882	Screw for strike, stainless steel (No. 10)
	58X310	58X310	Lockwasher for Cat. 92X882
36	1GA21H3	1GA21H2	Door switch
	H13A181	H13A241	Gasket for door switch
37	H12X2	-	Screw for door switch (10-30)
	H10A94	H10A94	Door jamb strip, latch side
38	H10A95	H10A95	Door jamb strip, bottom
39	H10A115	H10A163	Door jamb strip, top
40	H10A116	H10A116	Door jamb strip, hinge side
	H20A381	H20A381	Screw for door jamb strip (No. 8)
40	H1X339	H1X339	Screw for door jamb strip (10-30)
41	H9A26	H9A26	Door jamb corner
42	H3A124	H3A124	INNER LINER WITH SHELF SUPPORTS
	H17A89	H17A89	Shelf support, straight (1/2 in. long)
43	H12A2	H12A2	Screw for shelf support (1/4 in.-20)
	H20A382	H20A382	Bracket for lamp receptacle
44	91X648	91X648	Screw for Cat. H20A382 (No. 8)
	H20A110	H20A110	Rubber plug for inner liner cover
44	105136	105136	Screw fastening inner liner cover to inner liner (10-32)
	200384	200384	Nut for Cat. 105136
44	H20A380	H20A380	Washer for Cat. 105136
	H20A255	H20A255	Fiber washer for Cat. 105136
44	H20A282	H20A282	Bracket for freezing tray lifter
	91X648	91X648	Screw for Cat. H20A282 (No. 8)
45	H17A114	H17A114	Shelf, large, top
	H17A115	H17A115	Shelf, large, middle, or bottom
46	78X719	78X719	Lamp receptacle
	H20A406	H20A406	Connector with insulation for wires
46	H5X20	H5X20	Cabinet insulation (Kimsul, 18' roll)

⊕ A few of these cabinets used Cat. H1X339 door and door jamb strip screws (10-30), in place of Cat. H20A381 screws (No. 8, self tapping).  
 \*\* Cat. H16A71 Hinge is standard on these cabinets, but some cabinets were produced using the other hinges shown. Refer to pictures to determine hinge to use.  
 † A few LB6E and LB6F cabinets did not use these parts. They used the corresponding LB6D parts.

# LB6-41A, LB6-41D

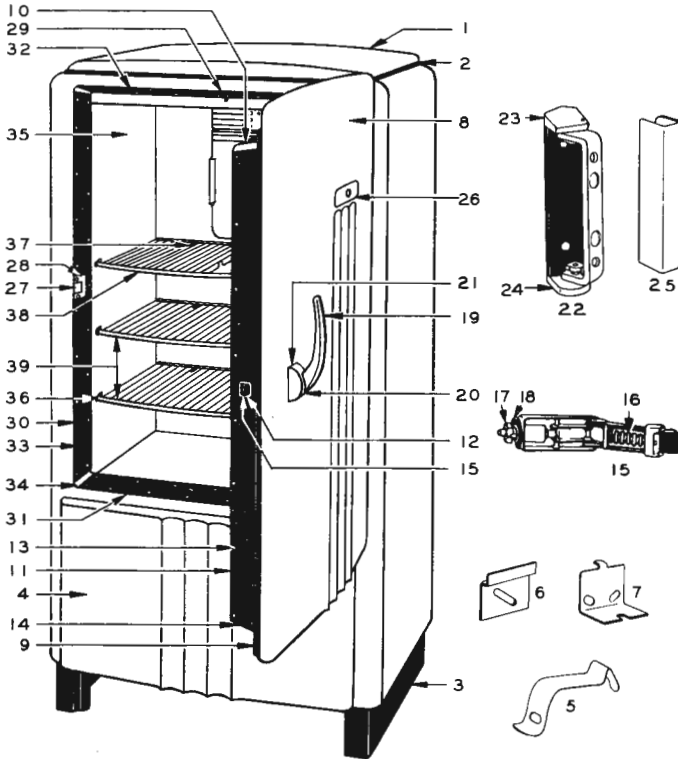
FOR REFRIGERATING MACHINE PARTS REFER TO CJ-2B OR CJ-2D UNITS

## Accessories

Quan.	Cat. No.	Description
4	*A5R23	Freezing tray
1	A21R229	Tray lifter
1	A4R11	Chiller tray

\* Model LB6-41D is equipped with 2 Cat. A5R23 freezing trays.

## Cabinet Parts



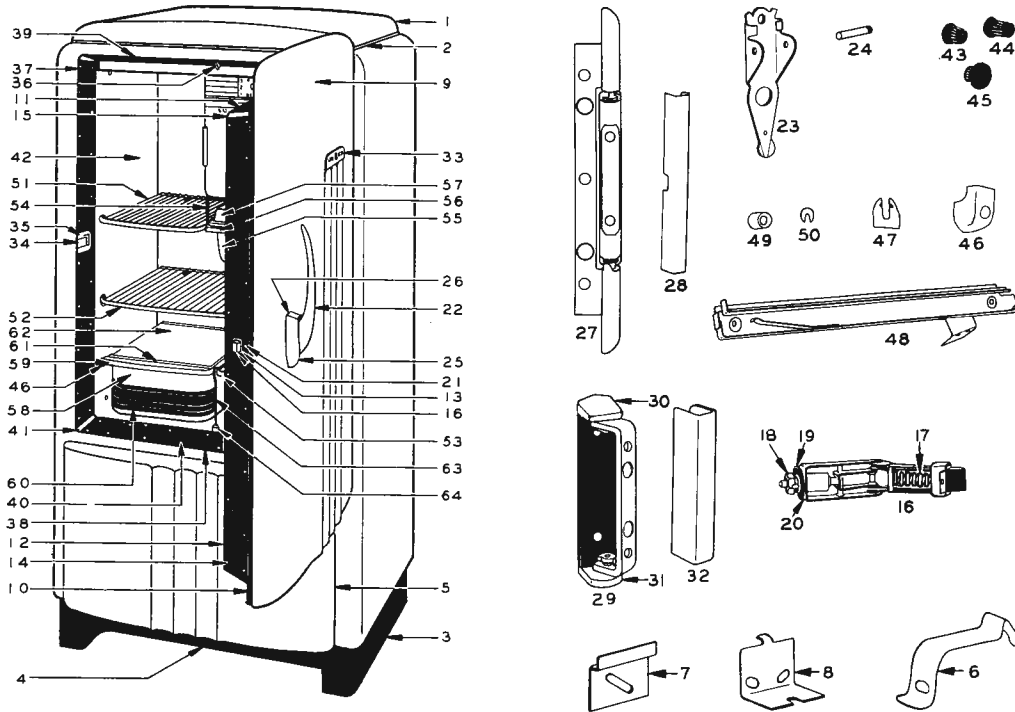
Ref. No.	Cat. No.	Description
5	H20A241	Spring clip for lower door panel
	58X375	Screw for Cat. H20A241 (No. 8)
	I65736	Washer for Cat. 58X375
	H20A459	Rubber button spacer for lower door panel
6	H20A181	Support for lower door panel
	58X376	Screw for Cat. H20A181 (No. 8)
	H20A240	Washer for Cat. 58X376
7	H20A239	Catch for spring clip Cat. H20A241
	91X648	Screw for Cat. H20A239 (No. 8)
8	-	DOOR FOR CABINET
8	H7A332	Outer door panel (right-hand cabinet)
	H7A333	Outer door panel (left-hand cabinet)
9	H13A147	Door gasket
	H10A89	Door strip, hinge side
	H10A91	Door strip, top or bottom
11	H10A143	Door strip, latch side, with escutcheon for latch bolt
12	H15A41	Escutcheon for latch bolt
13	H20A381	Screw for door strip (No. 8)
14	H9A25	Door corner
	H7A106	Inner door panel
15	H15A73	Latch with gasket and nut
16	H15A44	Spring for latch
17	H15A45	Nut for latch and handle
18	H13A148	Gasket between latch and outer door panel
	H20A117	Lockwasher for Cat. H15A45
	H20A381	Screw fastening latch to door strip (No. 8)
19	H15A62	Latch handle without escutcheon
20	H15A85	Escutcheon for latch handle
21	H13A149	Gasket between latch handle and outer door panel
22	H16A71	Hinge without cover
23	H16A74	End cap for hinge, top RH cabinet or bottom LH cabinet
24	H16A75	End cap for hinge, bottom RH cabinet or top LH cabinet
25	H16A38	Cover for hinge
	H20A47	Screw fastening hinge to door (12-28)
	H20A386	Screw fastening hinge to cabinet (12-28)
26	NP74779A	Nameplate
26	NP74779B	Clip for nameplate
	H20A6	Screw for nameplate clip (4-48)
27	H14A22	Strike for latch bolt
28	H14A20	Strike case
	H20A381	Screw for strike (No. 8)
	58X310	Lockwasher for Cat. H20A381
29	I6A21H12	Door switch
	H13A241	Gasket for door switch
30	H10A94	Door jamb strip, latch side
31	H10A95	Door jamb strip, bottom
32	H10A163	Door jamb strip, top
	H10A116	Door jamb strip, hinge side
33	H20A381	Screw for door jamb strip (No. 8)
34	H9A26	Door jamb corner
	H20A461	Rubber bumper for Evaporator Door
35	H3A138	INNER LINER WITH SHELF SUPPORTS
36	H17A89	Shelf support, straight (1/2 in. long)
37	H17A122	Shelf support, straight (3/4 in. long)
	H12A2	Screw for shelf support (1/4 in.-20)
	H20A382	Bracket for lamp receptacle
	91X648	Screw for Cat. H20A382 (No. 8)
	58X386	Nut for Cat. 91X648
	H20A110	Rubber plug for inner liner cover
	58X376	Screw fastening inner liner cover to inner liner, L.H. side (No. 8)
	H20A381	Screw fastening inner liner cover to inner liner, R.H. side (No. 8)
	58X385	Nut for Cat. H20A381
	H20A282	Bracket for ice tray lifter
	91X648	Screw for Cat. H20A282 (No. 8)
	58X386	Nut for Cat. 91X648
	78X719	Lamp receptacle
	H20A406	Connector with insulation for leads
38	H17A319	Shelf, top
39	H17A320	Shelf, middle or bottom
	H5X20	Cabinet insulation (Kimsul, 18' roll)

Ref. No.	Cat. No.	Description
1	H4A60	TOP COVER FOR CABINET
2	H13A240	Gasket for top cover
	H20A161	Clip for top cover, front
	H20A162	Clip for top cover, back
	H20A86	Screw for Cat. H20A161 (10-30)
	91X648	Screw for Cat. H20A162 or refrigerant line sealing plate (No. 8)
	58X374	Screw fastening condenser to outer case (No. 10)
	I65736	Washer for Cat. 58X374
	H20A243	Rubber spacer for back of condenser
	H20A62	Screw for rubber spacer (No. 8)
	80X132	Washer for Cat. H20A62
3	H27A128	BASE
	91X208	Cap screw fastening condenser to base (5/16 in.-18)
	I77811	Nut for Cat. 91X208
	H18A22	Washer for Cat. 91X208 (7/8 in. O.D.)
	H18A18	Washer for Cat. 91X208 (5/8 in. O.D.)
	20X536	Cap screw fastening outer case to base (1/4 in.-20)
	160980	Washer for Cat. 20X536
	71X272	Screw fastening refrigerating machine to base (5/16 in.-18)
	I77811	Nut for Cat. 71X272
	91X649	Washer for Cat. 71X272
4	H7A331	LOWER DOOR PANEL

Always Give Catalog Number

# LBX6-41A, LBX6-41B, JB6-41A

FOR REFRIGERATING MACHINE PARTS REFER TO CF-2J UNIT



## Accessories

Quan.	Cat. No.	Description
4	*A5R23	Freezing tray
1	A21R229	Tray lifter

\* Model LBX6-41B is equipped with 2 Cat. A5R23 freezing trays.

## Cabinet Parts

Ref. No.	Cat. No.	Description	Ref. No.	Cat. No.	Description	
	LBX6-41A, B	JB6-41A		LBX6-41A, B	JB6-41A	
1	H4A60	H4A61	165736	165736	Washer for Cat. 58X375	
2	H13A240	H13A242	H20A459	H20A459	Rubber button spacer for lower door panel	
	H20A161	H20A161	H20A181	H20A181	Support for lower door panel	
	H20A162	H20A162	58X376	58X376	Screw for Cat. H20A181 (No. B)	
	H20A86	H20A86	H20A240	H20A240	Washer for Cat. 58X376	
	91X648	91X648	H20A239	H20A239	Catch for spring clip Cat. H20A241	
	58X374	58X374	91X648	91X648	Screw for Cat. H20A239 (No. 8)	
	165736	165736	-	-	DOOR FOR CABINET	
	150279	-	9	H7A332	H7A335	Outer door panel (right-hand cabinet)
	H20A243	H20A243	9	H7A333	H7A336	Outer door panel (left-hand cabinet)
	H20A62	H20A62	10	H13A147	H13A147	Door gasket
	80X132	80X132		H10A89	H10A89	Door strip, hinge side
	H27A150	H27A129	11	H10A91	H10A91	Door strip, top or bottom
	91X208	91X208	12	H10A143	H10A143	Door strip, latch side, with escutcheon for latch bolt
	177811	177811	13	H15A41	H15A41	Escutcheon for latch bolt
	H18A22	H18A22	14	H20A381	H20A381	Screw for door strip (No. B)
	H18A18	H18A18	15	H9A25	H9A25	Door corner
	20X536	20X536		H7A106	H7A106	Inner door panel
	160980	160980	16	H15A73	H15A92	Latch with gasket and nut
	71X272	71X272	17	H15A44	H15A64	Spring for latch
	177811	177811	18	H15A45	H15A65	Nut for latch and handle
	91X649	91X649	19	H13A148	H15A66	Gasket between latch and outer door panel
	-	H27A130	20	-	H15A93	Washer between latch and outer door panel
	-	65X229		H20A117	-	Lockwasher for Cat. H15A45
	-	H17A89	21	H20A381	H20A381	Screw fastening latch to door strip (No. 5)
4	-	-	22	-	H15A86	Latch handle with push plate and spring
	-	-	23	-	H15A87	Back plate for latch handle, R.H. cabinet
5	H7A331	H7A334	23	-	H15A88	Back plate for latch handle, L.H. cabinet
6	H20A241	H20A241	24	-	H15A89	Pin fastening latch handle to back plate
	58X375	58X375				

Always Give Catalog Number

# LBX6-41A, LBX6-41B, JB6-41A (Cont.)

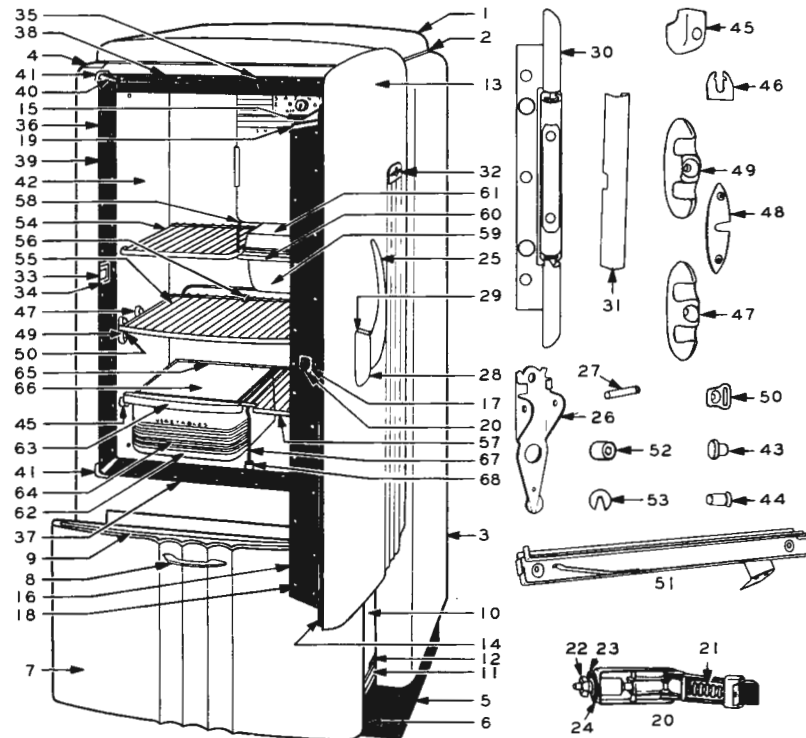
Ref No.	Cat. No.		Description
	LBX6-41A,B	JB6-41A	
25	-	H15A90	Escutcheon for latch handle, R.H. cabinet
25	-	H15A91	Escutcheon for latch handle, L.H. cabinet
26	-	H13A243	Gasket between back plate for latch handle and outer door panel
	-	58X376	Screw fastening back plate for latch handle to outer door panel
	H15A62	-	Latch handle without escutcheon
	H15A85	-	Escutcheon for latch handle
	H13A149	-	Gasket between latch handle and outer door panel
27	-	H16A72	Hinge without cover
28	-	H16A73	Cover for hinge
29	H16A71	-	Hinge without cover
30	H16A74	-	End cap for hinge, top, RH cabinet or bottom, LH cabinet
31	H16A75	-	End cap for hinge, bottom RH cabinet or top LH cabinet
32	H16A38	-	Cover for hinge
	-	128619	Screw fastening hinge to door (10-32)
	H20A47	-	Screw fastening hinge to door (12-28)
	H20A386	167651	Screw fastening hinge to cabinet (12-28)
33	NP74779A	NP74779A	Nameplate
33	NP74779B	NP74779B	Clip for nameplate
	H20A6	H20A6	Screw for nameplate clip (4-48)
34	H14A22	H14A22	Strike for latch bolt
35	H14A20	H14A20	Strike case
	H20A381	H20A381	Screw for strike (No. 8)
	58X310	58X310	Lockwasher for Cat. H20A381
36	1GA21H12	1GA21H12	Door switch
	H13A241	H13A241	Gasket for door switch
37	H10A94	H10A94	Door jamb strip, latch side
38	H10A95	H10A95	Door jamb strip, bottom
39	H10A163	H10A163	Door jamb strip, top
	H10A116	H10A116	Door jamb strip, hinge side
40	H20A381	H20A381	Screw for door jamb strip (No. 8)
41	H9A26	H9A26	Door jamb corner
	H20A461	H20A461	Rubber bumper for Evaporator Door
42	H3A139	H3A139	INNER LINER WITH SHELF SUPPORTS
43	H17A89	H17A89	Shelf support, straight (1/2 in. long)
44	H17A122	H17A122	Shelf support, straight (3/4 in. long)
45	H17A90	H17A90	Shelf support, headed (1/2 in. long)
	H12A2	H12A2	Screw for shelf support (1/4 in.-20)
	H20A464	H20A464	Washer for Cat. H12A2
46	H20A388	H20A388	Support for vegetable drawer
47	H20A393	H20A393	Shim for Cat. H20A388 (.031 in. thick)
47	H20A394	H20A394	Shim for Cat. H20A388 (.062 in. thick)
	H20A448	H20A448	Screw for Cat. H20A388 (10-30)
	58X364	58X364	Lockwasher for Cat. H20A448
48	H17A321	H17A321	Slide for cold storage tray

Ref No.	Cat. No.		Description
	LBX6-41A,B	JB6-41A	
	H20A465	H20A465	Screw for slide (10-30)
49	H20A466	H20A466	Spacer for slide
50	H20A467	H20A467	Shim for Cat. H20A466 (.031 in. thick)
50	H20A468	H20A468	Shim for Cat. H20A466 (.062 in. thick)
	H11A201	H11A201	Tapping strip for Cat. H20A465
	11X339	11X339	Screw fastening Cat. H11A201 to inner liner, side (10-30)
	179789	179789	Washer for Cat. 11X339
	H20A469	H20A469	Brace for inner liner
	11X339	11X339	Screw fastening brace to inner liner (10-30)
	H20A380	H20A380	Washer for Cat. 11X339
	H20A382	H20A382	Bracket for lamp receptacle
	91X648	91X648	Screw for Cat. H20A382 (No. 8)
	58X386	58X386	Nut for Cat. 91X648
	H20A110	H20A110	Rubber plug for inner liner cover
	H20A470	H20A470	Metal plug for inner liner cover
	58X376	58X376	Screw fastening inner liner cover to inner liner, L.H. side (No. 8)
	H20A381	H20A381	Screw fastening inner liner cover to inner liner, R.H. side (No. 8)
	58X385	58X385	Nut for Cat. H20A381
	78X719	78X719	Lamp receptacle
	H20A406	H20A406	Connector with insulation for leads
51	H17A322	H17A322	Shelf, top
52	H17A320	H17A320	Shelf, middle
53	H17A323	H17A323	Shelf, bottom
54	H17A324	H17A324	Hanger for top shelf
	H17A325	H17A325	Adjusting plate for top shelf hanger
	H20A471	H20A471	Screw fastening hanger to evaporator (6-32)
	58X382	58X382	Nut for Cat. H20A471
	58X379	58X379	Washer for Cat. H20A471
55	A4R12	A4R12	Cold storage tray with trim
56	H18A177	H18A177	Trim for cold storage tray
	H20A472	H20A472	Trim plug
57	A4R13	A4R13	Cover for cold storage tray
	H20A473	H20A473	Rack for cold storage tray
58	H30A139	H30A139	VEGETABLE DRAWER WITH TRIM
58	H30A140	H30A140	Pan only for vegetable drawer
59	H18A178	H18A178	Trim for vegetable drawer
	58X384	58X384	Screw fastening trim to vegetable drawer
	91X49	91X49	Nut for Cat. 58X384
	675	675	Washer for Cat. 58X384
60	NP85214A	NP85214A	Nameplate for vegetable drawer
61	H30A99	H30A99	Frame for cover for vegetable drawer
62	H30A100	H30A100	Cover for vegetable drawer
63	H20A474	H20A474	Support for vegetable drawer
64	H20A401	H20A401	Rubber foot for Cat. H20A474
	H5X20	H5X20	Cabinet insulation (Kimsul, 18' roll)

Always Give Catalog Number

# JB6-41B, JB6-41C, PJB6-41B, PJB6-41D

FOR REFRIGERATING MACHINE PARTS REFER TO CF-2J UNIT



## Accessories

Quan.	Cat. No.	Description
4	*A5R23	Freezing tray
1	A21R229	Tray lifter

\* Models JB6-41C and PJB6-41D are equipped with 2 Cat. A5R23 freezing trays.

## Cabinet Parts

Ref. No.	Cat. No.		Description	Ref. No.	Cat. No.		Description
	JB6-41B,C	PJB6-41B,D			JB6-41B,C	PJB6-41B,D	
1	H4A61	H4A62	TOP COVER FOR CABINET	160980	160980	160980	Metal washer for Cat. 20X536
2	H13A242	H13A245	Gasket for top cover	-	H20A255	H20A255	Fiber washer for Cat. 20X536
	H20A161	H20A161	Clip for top cover, front	71X272	71X272	71X272	Carriage bolt fastening refrigerating machine to base (5/16 in.-18)
-	H20A162	H20A162	Clip for top cover, back	177811	177811	177811	Nut for Cat. 71X272
	-	H13A165	Gasket for Cat. H20A162	91X649	91X649	91X649	Washer for Cat. 71X272
-	H20A86	H20A86	Screw for Cat. H20A161 (10-30)	H27A130	H27A130	H27A130	Skirt for base
91X648	91X648	91X648	Screw for Cat. H20A162 or refrigerant line sealing plate (No. 8)	65X229	65X229	65X229	Screw fastening skirt to base (1/4 in.-20)
-	H20A485	H20A485	Washer for refrigerant line sealing plate	H17A89	H17A89	H17A89	Nut for Cat. 65X229
3	H2A111	H2A111	OUTER CASE RIGHT-HAND CABINET	7	H31A113	H31A116	STORAGE DRAWER WITH FRONT PANEL AND SLIDES
3	H2A112	H2A112	OUTER CASE LEFT-HAND CABINET	7	H7A337	H7A341	Front panel for storage drawer
-	H18A134	H18A134	Trim for upper RH corner of outer case, front	8	H20A476	H20A476	Handle for storage drawer
4	-	H18A135	Trim for upper LH corner of outer case, front	126915	126915	126915	Screw fastening handle to storage drawer (8-32)
-	H20A486	H20A486	Rubber spacer for trim	179789	179789	179789	Washer for Cat. 126915
-	H20A168	H20A168	Washer for trim	9	-	H18A179	Trim with retainers for front panel of storage drawer
-	58X326	58X326	Nut fastening trim to outer case	-	H20A488	H20A488	Retainer for trim
58X374	58X374	58X374	Screw fastening condenser to outer case, (No. 10)	-	58X387	58X387	Nut for Cat. H20A488
165736	165736	165736	Washer for Cat. 58X374 (5/8 in. O.D.)	H20A477	H20A477	H20A477	Rubber bumper for front panel of storage drawer
150279	150279	150279	Washer for Cat. 58X374 (13/32 in. O.D.)	H31A64	H31A64	H31A64	Storage drawer only
H20A243	H20A243	H20A243	Rubber spacer for back of condenser	H20A478	H20A478	H20A478	Drain plug for storage drawer
H20A62	H20A62	H20A62	Screw for rubber spacer (No. 8)	H31A65	H31A65	H31A65	Angle for storage drawer and front panel
80X132	80X132	80X132	Washer for Cat. H20A62	H20A479	H20A479	H20A479	Screw fastening angle to storage drawer or to front panel (10-32)
H27A129	H27A129	H27A129	BASE	H18A19	H18A19	H18A19	Fiber washer for Cat. H20A479
91X208	91X208	91X208	Cap screw fastening condenser to base (5/16 in.-18)	165736	165736	165736	Metal washer for Cat. H20A479
177811	177811	177811	Nut for Cat. 91X208	H31A66	H31A66	H31A66	Slide for storage drawer, RH side
H18A22	H18A22	H18A22	Washer for Cat. 91X208 (7/8 in. O.D.)	H31A67	H31A67	H31A67	Slide for storage drawer, LH side
H18A18	H18A18	H18A18	Washer for Cat. 91X208 (5/8 in. O.D.)	H20A479	H20A479	H20A479	Screw fastening slide to storage drawer (10-32)
-	H20A254	H20A254	Pad between base and cabinet	165736	165736	165736	Washer for Cat. H20A479
20X536	20X536	20X536	Cap screw fastening outer case to base (1/4 in.-20)	H31A68	H31A68	H31A68	Channel with roller for storage drawer, RH side
				H31A69	H31A69	H31A69	Channel with roller for storage drawer, LH side

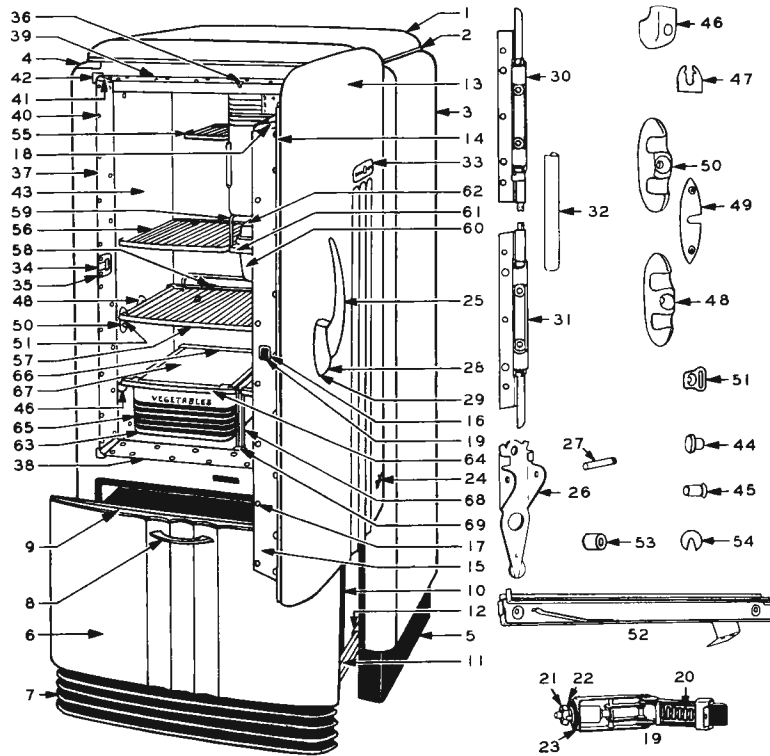
# JB6-41B, JB6-41C, PJB6-41B, PJB6-41D (Cont.)

Ref. No.	Cat. No.		Description
	JB6-41B,C	PJB6-41B,D	
	H31A70	H31A70	Spring stop for channel
	20X536	20X536	Cap screw fastening channel to side of outer case (1/4 in.-20)
	1X452	1X452	Nut for Cat. 20X536
	H20A480	H20A480	Spacing washer between channel and outer case
	30X562	30X562	Lockwasher for Cat. 1X452
13	-	-	DOOR FOR CABINET
13	H7A335	H7A407	Outer door panel (right-hand cabinet)
	H7A336	H7A408	Outer door panel (left-hand cabinet)
14	H13A147	H13A147	Door gasket
	H10A89	H10A89	Door strip, hinge side
15	H10A91	H10A91	Door strip, top or bottom
16	H10A143	H10A143	Door strip, latch side, with escutcheon for latch bolt
17	H15A41	H15A41	Escutcheon for latch bolt
18	H20A381	H20A381	Screw for door strip (No. 8)
19	H9A25	H9A25	Door corner
	H7A106	H7A106	Inner door panel
20	H15A92	H15A92	Latch with gasket and nut
21	H15A64	H15A64	Spring for latch
22	H15A65	H15A65	Nut for latch and handle
23	H15A66	H15A66	Gasket between latch and outer door panel
24	H15A93	H15A93	Washer between latch and outer door panel
	H20A381	H20A381	Screw fastening latch to door strip (No. 8)
25	H15A86	H15A86	Latch handle with push plate and spring
26	H15A87	H15A87	Back plate for latch handle, RH cabinet
26	H15A88	H15A88	Back plate for latch handle, LH cabinet
27	H15A89	H15A89	Pin fastening latch handle to back plate
28	H15A90	H15A90	Escutcheon for latch handle, RH cabinet
28	H15A91	H15A91	Escutcheon for latch handle, LH cabinet
29	H13A243	H13A243	Gasket between back plate for latch handle and outer door panel
	-	H20A528	Washer between back plate for latch handle and outer door panel (7/16 in. O.D.)
	-	H20A529	Washer between back plate for latch handle and outer door panel (3/4 in. O.D.)
	58X376	58X376	Screw fastening back plate for latch handle to outer door panel (No. 8)
30	H16A72	H16A72	Hinge without cover
31	H16A73	H16A73	Cover for hinge
	128619	128619	Screw fastening hinge to door (10-32)
	167651	167651	Screw fastening hinge to cabinet (12-28)
32	NP74779A	NP74779A	Nameplate
32	NP74779B	NP74779B	Clip for nameplate
	H20A6	H20A6	Screw for nameplate clip (4-48)
33	H14A22	H14A22	Strike for latch bolt
34	H14A20	H14A20	Strike case
	H20A381	H20A381	Screw for strike (No. 8)
	58X310	58X310	Lockwasher for Cat. H20A381
35	1GA21H12	1GA21H12	Door switch
	H13A241	H13A241	Gasket for door switch
36	H10A94	H10A94	Door jamb strip, latch side
37	H10A95	H10A95	Door jamb strip, bottom
38	H10A163	H10A163	Door jamb strip, top
38	H10A116	H10A116	Door jamb strip, hinge side
39	H20A381	H20A381	Screw for door jamb strip (No. 8)
40	H9A26	H9A26	Door jamb corner
41	-	H18A180	Door jamb corner trim
	H20A461	H20A461	Rubber bumper for evaporator door
42	H3A140	H3A140	INNER LINER WITH SHELF SUPPORTS
43	H17A194	H17A194	Shelf support, headed (1/2 in. long)
44	H17A195	H17A195	Shelf support, straight (3/4 in. long)
	H12A2	H12A2	Screw for shelf support (1/4 in.-20)
	H20A464	H20A464	Washer for Cat. H12A2
45	H20A388	H20A388	Support for vegetable drawer

Ref. No.	Cat. No.		Description
	JB6-41B,C	PJB6-41B,D	
46	H20A393	H20A393	Shim for Cat. H20A388 (.031 in. thick)
46	H20A394	H20A394	Shim for Cat. H20A388 (.062 in. thick)
47	H17A197	H17A197	Shelf support, double slot
48	H20A389	H20A389	Shim for Cat. H17A197 (.031 in. thick)
48	H20A390	H20A390	Shim for Cat. H17A197 (.062 in. thick)
	H20A448	H20A448	Screw for Cat. H20A388 or H17A197 (10-30)
	58X364	58X364	Lockwasher for Cat. H20A448
49	H17A233	H17A233	Shelf support, double slot, for lower shelf, front
50	H20A395	H20A395	Bracket for vegetable drawer cover frame
	H20A396	H20A396	Screw for Cat. H17A233 (10-30)
51	H17A321	H17A321	Slide for cold storage tray
	H20A465	H20A465	Screw for cold storage tray slide (10-30)
52	H20A466	H20A466	Spacer for cold storage tray slide
53	H20A467	H20A467	Shim for Cat. H20A466 (.031 in. thick)
53	H20A468	H20A468	Shim for Cat. H20A466 (.062 in. thick)
	H11A201	H11A201	Tapping strip for Cat. H20A465
	11X339	11X339	Screw fastening Cat. H11A201 to inner liner, side (10-30)
	179789	179789	Washer for Cat. 11X339
	H20A481	H20A481	Brace for inner liner
	11X339	11X339	Screw fastening brace to inner liner side (10-30)
	H20A380	H20A380	Washer for Cat. 11X339
	H20A382	H20A382	Bracket for lamp receptacle
	91X648	91X648	Screw for Cat. H20A382 (No. 8)
	58X386	58X386	Nut for Cat. 91X648
	H20A110	H20A110	Rubber plug for inner liner cover
	H20A470	H20A470	Metal plug for inner liner cover
	58X376	58X376	Screw fastening inner liner cover to inner liner, LH side (No. 8)
	H20A381	H20A381	Screw fastening inner liner cover to inner liner, RH side (No. 8)
	58X385	58X385	Nut for Cat. H20A381
	78X719	78X719	Lamp receptacle
	H20A406	H20A406	Connector with insulation for leads
54	H17A322	H17A322	Shelf, top
55	H17A326	H17A326	Sliding shelf with stops
	H17A327	H17A327	Stop for shelf, right-hand side
	H17A328	H17A328	Stop for shelf, left-hand side
56	H20A248	H20A248	Bumper for sliding shelf
57	H17A323	H17A323	Shelf, bottom
58	H17A324	H17A324	Hanger for top shelf
	H17A325	H17A325	Adjusting plate for top shelf hanger
	H20A471	H20A471	Screw fastening hanger and adjusting plate to evaporator (6-32)
	58X382	58X382	Nut for Cat. H20A471
	58X379	58X379	Washer for Cat. H20A471
59	A4R12	A4R12	Cold storage tray with trim
60	H18A177	H18A177	Trim for cold storage tray
	H20A472	H20A472	Trim plug
61	A4R13	A4R13	Cover for cold storage tray
	H20A473	H20A473	Rack for cold storage tray
62	H30A139	H30A139	VEGETABLE DRAWER WITH TRIM
62	H30A140	H30A140	Pan only for vegetable drawer
63	H18A178	H18A178	Trim for vegetable drawer
	58X384	58X384	Screw fastening trim to vegetable drawer (6-32)
	91X49	91X49	Nut for Cat. 58X384
	675	675	Washer for Cat. 58X384
64	NP85214A	NP85214A	Nameplate for vegetable drawer
65	H30A99	H30A99	Frame for cover for vegetable drawer
66	H30A100	H30A100	Cover for vegetable drawer
67	H20A474	H20A474	Support for vegetable drawer
68	H20A401	H20A401	Rubber foot for Cat. H20A474
	H5X20	H5X20	Cabinet insulation (Kimsul, 18' roll)

# B6-41A, B6-41B, B6-41C, PB6-41A, PB6-41B, PB6-41C

FOR REFRIGERATING MACHINE PARTS REFER TO CF-2J UNIT



## Accessories

Quan.	Cat. No.	Description
4	*A5R23	Freezing tray
1	*A5R29	Dessert tray complete with two sets of dividers and separator
1	A21R229	Tray lifter
1	A21R87	Thermometer, case and clip

Quan.	Cat. No.	Description
1	A21R128	Thermometer only
1	MP75762A	Case for thermometer
1	A21R129	Clip for thermometer
1	A21R88	Water bottle
1	A21R127	Cap for water bottle

\* Models B6-41C and PB6-41C are equipped with 2 Cat. A5R23 freezing trays. Also they are equipped with Cat. A5R28 dessert tray, less dividers (Cat. A5R26) and separator (Cat. A5R30).

## Cabinet Parts

Ref. No.	Cat. No.		Description
	B6-41A, B, C	PB6-41A, B, C	
1	H4A61	H4A62	TOP COVER FOR CABINET
2	H13A242	H13A245	Gasket for top cover
	H20A161	H20A161	Clip for top cover, front
	H20A162	H20A162	Clip for top cover, back
	-	H13A165	Gasket for Cat. H20A162
	H20A86	H20A86	Screw for Cat. H20A161 (10-3u)
	91X648	91X648	Screw for Cat. H20A162 or refrigerant line sealing plate (No. 8)
	-	H20A485	Washer for refrigerant line sealing plate
3	-	H2A111	OUTER CASE FOR RIGHT-HAND CABINET
3	-	H2A112	OUTER CASE FOR LEFT-HAND CABINET
	-	H18A134	Trim for upper R.H. corner of outer case, front
4	-	H18A135	Trim for upper L.H. corner of outer case, front
	-	H20A486	Rubber spacer for trim
	-	H20A168	Washer for trim
	-	58X326	Nut fastening trim to outer case
	58X374	58X374	Screw fastening condenser to outer case (No.10)
	165736	165736	Washer for Cat. 58X374
	H20A243	H20A243	Rubber spacer for back of condenser
	H20A62	H20A62	Screw for rubber spacer (No. 8)
	80X132	80X132	Washer for Cat. H20A62
5	H27A131	H27A131	BASE
	91X208	91X208	Cap screw fastening condenser to base (5/16 in.-18)
	177811	177811	Nut for Cat. 91X208
	H18A22	H18A22	Washer for Cat. 91X208 (7/8 in. O.D.)
	H18A18	H18A18	Washer for Cat. 91X208 (5/8 in. O.D.)
	-	H20A254	Rubber pad between base and cabinet
	20X536	20X536	Cap screw fastening outer case to base (1/4 in.-20)

Ref. No.	Cat. No.		Description
	B6-41A, B, C	PB6-41A, B, C	
	160980	160980	Metal washer for Cat. 20X536
	-	H20A255	Fiber washer for Cat. 20X536
	71X272	71X272	Screw fastening refrigerating machine to base (5/16 in.-18)
	177811	177811	Nut for Cat. 71X272
	91X649	91X649	Washer for Cat. 71X272
	H20A475	H20A475	Bumper for grille
6	H31A63	H31A71	STORAGE DRAWER WITH GRILLE, FRONT PANEL, & SLIDES
7	H27A132	H27A132	Grille for storage drawer
6	H7A337	H7A341	Front panel for storage drawer
	1X452	1X452	Nut fastening grille to front panel of storage drawer
	H18A20	H18A20	Washer for Cat. 1X452
8	H20A476	H20A476	Handle for storage drawer
	-	H20A487	Washer between handle and front panel of storage drawer
	126915	126915	Screw fastening handle to storage drawer (8-32)
	179789	179789	Washer for Cat. 126915
9	-	H18A179	Trim with retainers for front panel of storage drawer
	-	H20A488	Retainer for trim
	-	58X387	Nut for Cat. H20A488
	H20A477	H20A477	Rubber bumper for front panel of storage drawer
10	H31A64	H31A64	Storage drawer only
	H20A478	H20A478	Drain plug for storage drawer
	H31A65	H31A65	Angle for storage drawer and front panel
	H20A479	H20A479	Screw fastening angle to storage drawer or to front panel (10-32)

Always Give Catalog Number



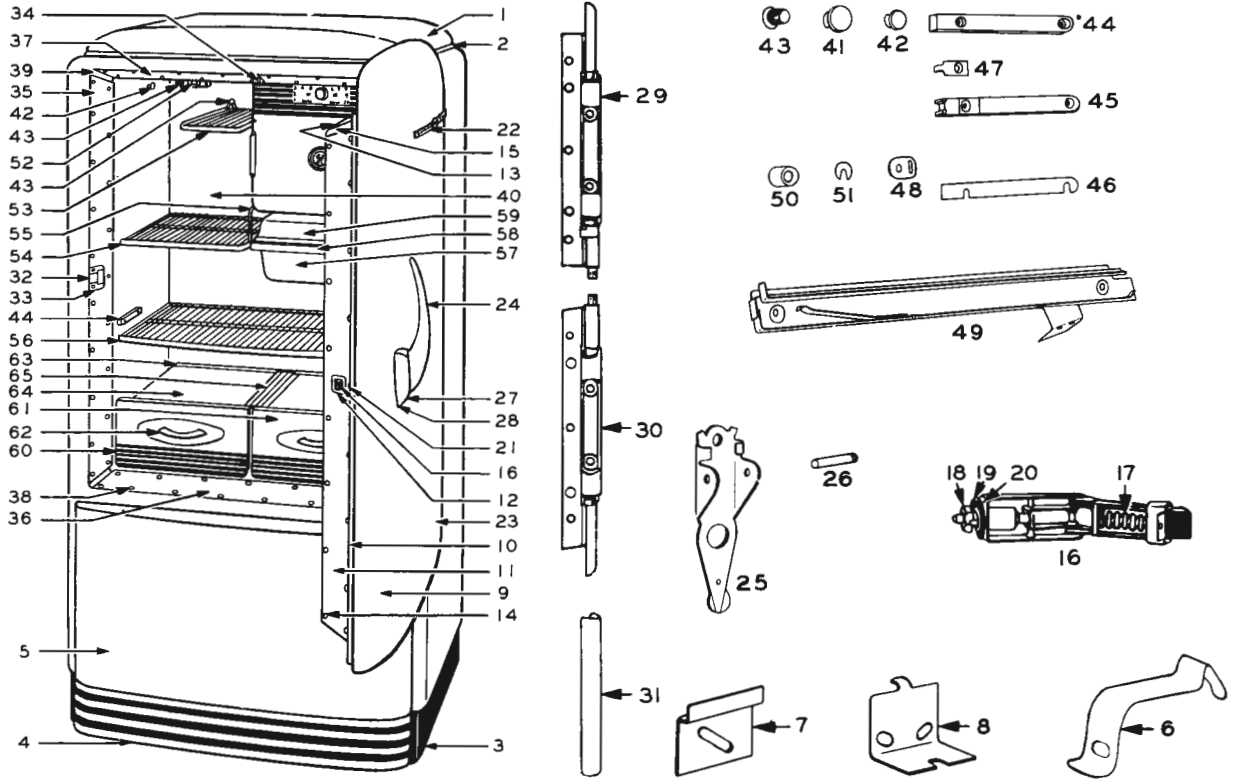
# B6-41A, B6-41B, B6-41C, PB6-41A, PB6-41B, PB6-41C (Cont.)

Ref. No.	Cat. No.	Description	Ref. No.	Cat. No.	Description
No.	B6-41A, B, C   PB6-41A, B, C		No.	B6-41A, B, C   PB6-41A, B, C	
11	H18A19 I65736 H31A66 H31A67 H20A479 I65736 H31A68 H31A69 H31A70 20X536	H18A19 I65736 H31A66 H31A67 H20A479 I65736 H31A68 H31A69 H31A70 20X536			Fiber washer for Cat. H20A479 Metal washer for Cat. H20A479 Slide for storage drawer, R.H. side Slide for storage drawer, L.H. side Screw fastening slide to storage drawer(10-32) Washer for Cat. H20A479 Channel with roller for storage drawer, R.H. side Channel with roller for storage drawer, L.H. side Spring stop for channel Cap screw fastening channel to side of outer case (1/4 in.-20)
12	IX452 H20A480 30X562	IX452 H20A480 30X562			Nut for Cat. 20X536 Spacing washer between channel and outer case Lockwasher for Cat. IX452
13	H7A338 H7A339 H13A244 H10A164 H10A165 H10A166	H7A342 H7A343 H13A244 H10A164 H10A165 H10A166			DOOR FOR CABINET Outer door panel (R.H. cabinet) Outer door panel (L.H. cabinet) Door gasket Door strip, hinge side Door strip, top or bottom Door strip, latch side, with escutcheon for latch bolt
14	H15A41 H20A381 H9A25 H7A340 H15A92 H15A64 H15A65 H15A66 H15A93 H20A381 NP85245 58X370 H20A385	H15A41 H20A381 H9A25 H7A340 H15A92 H15A64 H15A65 H15A66 H15A93 H20A381 NP85245 58X370 H20A385			Escutcheon for latch bolt Screw for door strip (No. 8) Door corner Inner door panel Latch with gasket and nut Spring for latch Nut for latch and handle Gasket between latch and outer door panel Washer between latch and outer door panel Screw fastening latch to door strip (No. 8) "Royal" nameplate Fastener for NP 85245 Washer for NP 85245
15	H15A86 H15A87 H15A88 H15A89 H15A90 H15A91 H13A243 58X376	H15A86 H15A87 H15A88 H15A89 H15A90 H15A91 H13A243 58X376			Latch handle with push plate and spring Back Plate for latch handle, R.H. cabinet Back Plate for latch handle, L.H. cabinet Pin fastening latch handle to back plate Escutcheon for latch handle, R.H. cabinet Escutcheon for latch handle, L.H. cabinet Gasket between back plate for latch handle and outer door panel Screw fastening back plate for latch handle to outer door panel
16	H16A55	H16A55			Upper hinge for R.H. door or lower hinge for L.H. door, without cover
17	H16A56	H16A56			Lower hinge for R.H. door or upper hinge for L.H. door, without cover
18	H16A52 H16A58 - - I28619 I67651 NP74779A NP74779B H20A6	H16A52 H16A58 H13A197 H13A196 I28619 I67651 NP74779A NP74779B H20A6			Cover for hinge Spacer tube for hinge Gasket between hinge and door Gasket between hinge and cabinet Screw fastening hinge to door (10-32) Screw fastening hinge to cabinet (12-28) Nameplate Clip for nameplate Screw for nameplate clip or thermometer clip (4-48)
19	H14A22 H14A20 H20A381 58X310	H14A22 H14A20 H20A381 58X310			Strike for latch bolt Strike case Screw for strike (No. 8) Lockwasher for Cat. H20A381
20	IGA21H13 H13A241 H10A167 H10A168 H10A169 H10A170	IGA21H13 H13A241 H10A167 H10A168 H10A169 H10A170			Door switch Gasket for door switch Door jamb strip, latch side Door jamb strip, bottom Door jamb strip, top Door jamb strip, hinge side
21	H20A381 H9A26	H20A381 H9A26			Screw for door jamb strip (No. 8) Door jamb corner
22	- H20A461 H3A140	H18A180 H20A461 H3A140			Door jamb corner trim Rubber bumper for evaporator door INNER LINER WITH SHELF SUPPORTS (B6-41A, PB6-41A)
23	43	H3A153	H3A153		INNER LINER WITH SHELF SUPPORTS (B6-41B, PB6-41B)
24	44	H17A194	H17A194		Shelf support, headed (1/2 in. long)
25	45	H17A195 H12A2 H20A464 H20A388 H20A393 H20A394 H17A197 H20A389 H20A390 H20A448 58X364 H17A233	H17A195 H17A195 H12A2 H12A2 H20A464 H20A464 H20A393 H20A394 H17A197 H20A389 H20A390 H20A448 58X364 H17A233		Shelf support, straight (3/4 in. long) Screw for shelf support (1/4 in.-20) Washer for Cat. H12A2 Support for vegetable drawer Shim for Cat. H20A388 (.031 in. thick) Shim for Cat. H20A388 (.062 in. thick) Shelf support, double slot Shim for Cat. H17A197 (.031 in. thick) Shim for Cat. H17A197 (.062 in. thick) Screw for Cat. H20A388 or H17A197 (10-30) Lockwasher for Cat. H20A448 Shelf support, double slot, for lower shelf, front
26	46	H20A396	H20A396		Bracket for vegetable drawer cover frame
27	47	H20A396	H20A396		Screw for Cat. H17A233 (10-30)
28	48	H17A321	H17A321		Slide for cold storage tray
29	49	H20A465	H20A465		Screw for tray slide (10-30)
30	50	H20A466	H20A466		Spacer for tray slide
31	51	H20A467	H20A467		Shim for Cat. H20A466 (.031 in. thick)
32	52	H20A468	H20A468		Shim for Cat. H20A466 (.062 in. thick)
33	53	H1A201	H1A201		Tapping strip for Cat. H20A465
34	54	11X339	11X339		Screw fastening Cat. H1A201 to inner liner, side (10-30)
35	55	179789 H20A481 11X339	179789 H20A481 11X339		Washer for Cat. 11X339 Brace for inner liner Screw fastening brace to inner liner side (10-30)
36	56	H20A380	H20A380		Washer for Cat. 11X339
37	57	H20A382	H20A382		Bracket for lamp receptacle
38	58	91X648	91X648		Screw for Cat. H20A382 (No. 8)
39	59	58X386	58X386		Nut for Cat. 91X648
40	60	H20A110	H20A110		Rubber plug for inner liner cover
41	61	H20A470	H20A470		Metal plug for inner liner cover
42	62	58X376	58X376		Screw fastening inner liner cover to inner liner, L.H. side (No. 8)
43	63	H20A381	H20A381		Screw fastening inner liner cover to inner liner, R.H. side (No. 8)
44	64	58X385 78X719 H20A406 H17A359 H17A343 H20A512	58X385 78X719 H20A406 H17A359 H17A343 H20A512		Nut for Cat. H20A381 Lamp receptacle Connector with insulation for leads Shelf, small, side of evaporator(B6-41B, PB6-41B) Supporting bracket for Cat. H17A359 Screw fastening Cat. H17A343 to evaporator (6-32)
45	65	58X382	58X382		Nut for Cat. H20A512
46	66	58X379	58X379		Washer for Cat. H20A512
47	67	H17A322	H17A322		Shelf, top
48	68	H17A326	H17A326		Sliding shelf with stops
49	69	H17A327	H17A327		Stop for shelf, R.H. side
50	70	H17A328	H17A328		Stop for shelf, L.H. side
51	71	H20A248	H20A248		Bumper for sliding shelf
52	72	H17A324	H17A324		Hanger for top shelf
53	73	H17A325	H17A325		Adjusting plate for top shelf hanger
54	74	H20A482	H20A482		Screw fastening hanger to evaporator (6-32)
55	75	58X382	58X382		Nut for Cat. H20A482
56	76	44R12	44R12		Cold storage tray with trim
57	77	H18A177	H18A177		Trim for cold storage tray
58	78	H20A472	H20A472		Trim plug
59	79	44R14	44R14		Cover for cold storage tray
60	80	H20A473	H20A473		Rack for cold storage tray
61	81	H30A139	H30A139		VEGETABLE DRAWER WITH TRIM
62	82	H30A140	H30A140		Pan only for vegetable drawer
63	83	H18A178	H18A178		Trim for vegetable drawer
64	84	58X384 91X49 675	58X384 91X49 675		Screw fastening trim to vegetable drawer Nut for Cat. 58X384 Washer for Cat. 58X384
65	85	NP85214A	NP85214A		Nameplate for vegetable drawer
66	86	H30A99	H30A99		Frame for cover for vegetable drawer
67	87	H30A100	H30A100		Cover for vegetable drawer
68	88	H20A485	H20A485		Support for vegetable drawer
69	89	H20A484	H20A484		Rubber foot for Cat. H20A483
		H5X20	H5X20		Cabinet insulation (Kimsul, 18' roll)

Always Give Catalog Number

# BH7-41A, BH7-41B

FOR REFRIGERATING MACHINE PARTS REFER TO CF-2J UNIT



### Accessories

Quan.	Cat. No.	Description
4	*A5R23	Freezing tray
1	A21R229	Tray lifter
1	*A5R29	Dessert tray complete with two sets of dividers and separator
1	A21R247	Thermometer, case, spacer, and clip

Quan.	Cat. No.	Description
1	A21R248	Thermometer with spacer
1	A21R249	Case for thermometer
1	A21R250	Clip for thermometer
1	A21R88	Water bottle
1	A21R127	Cap for water bottle

\* Model BH7-41B is equipped with 2 Cat. A5R23 freezing trays. Also it is equipped with Cat. A5R28 dessert tray without dividers (Cat. A5R26) and separator (Cat. A5R30).

### Cabinet Parts

Ref. No.	Cat. No.	Description
1	H4A63	TOP COVER FOR CABINET
2	H13A247	Gasket for top cover
	H20A501	Clip for top cover, front
	H20A162	Clip for top cover, back
	H20A86	Screw for Cat. H20A501 (10-30)
	91X648	Screw for Cat. H20A162 or refrigerant line sealing plate (No. 8)
	58X374	Screw fastening condenser to outer case (No. 10)
	165736	Washer for Cat. 58X374
	H20A243	Rubber spacer for back of condenser
	H20A62	Screw for rubber spacer (No. 8)
	80X132	Washer for Cat. H20A62
3	H27A136	BASE
	106775	Cap screw fastening condenser to base (5/16 in.-18)
	177811	Nut for Cat. 106775
	H18A22	Washer for Cat. 106775 (7/8 in. O.D.)
	H18A18	Washer for Cat. 106775 (5/8 in. O.D.)
	20X536	Cap screw fastening outer case to base (1/4 in.-20)
	160980	Washer for Cat. 20X536
	H20A502	Reinforcing plate for Cat. 20X536
	71X272	Screw fastening refrigerating machine to base (5/16 in.-18)
	177811	Nut for Cat. 71X272
	91X649	Washer for Cat. 71X272
	A2R14	Adjustable glider for front of base
	141255	Nut for adjustable glider

Ref. No.	Cat. No.	Description
4	H20A475	Bumper for grille
	H27A137	Grille for base
	105113	Screw fastening grille to lower door panel (10-32)
	H18A19	Washer for Cat. 105113
5	H7A358	LOWER DOOR PANEL
6	H20A241	Spring clip for lower door panel
	58X375	Screw for Cat. H20A241 (No. 8)
	165736	Washer for Cat. 58X375
	H20A459	Rubber button spacer for lower door panel
7	H20A181	Support for lower door panel
	58X376	Screw for Cat. H20A181 (No.8)
	H20A240	Washer for Cat. 58X376
8	H20A239	Catch for spring clip Cat. H20A241
	91X648	Screw for Cat. H20A239 (No. 8)
9	-	DOOR FOR CABINET
	H7A359	Outer door panel (RH cabinet)
	H7A360	Outer door panel (LH cabinet)
10	H13A248	Door gasket
	H10A171	Door strip, hinge side
11	H10A172	Door strip, latch side, with escutcheon for latch bolt
12	H15A41	Escutcheon for latch bolt
13	H10A173	Door strip, top or bottom
14	H20A381	Screw for door strip (No. 8)
15	H9A38	Door corner
	H7A361	Inner door panel

Always Give Catalog Number

**BH7-41A, BH7-41B (Cont.)**

Ref. No.	Cat. No.	Description	Ref. No.	Cat. No.	Description
16	H15A102	Latch with gasket and nut		**58X310	Lockwasher for Cat. 205128
17	H15A64	Spring for latch		H20A509	Washer for Cat. 11X339
18	H15A65	Nut for latch and handle	49	H17A321	Slide for cold storage tray
19	H15A66	Gasket between latch and outer door panel		H20A465	Screw for tray slide (10-30)
20	H15A93	Washer between latch and outer door panel	50	H20A466	Spacer for tray slide
21	H20A381	Screw fastening latch to door strip (No. 8)	51	H20A467	Shim for Cat. H20A466 (.031 in. thick)
22	NP85377A	General Electric nameplate	51	H20A468	Shim for Cat. H20A466 (.062 in. thick)
	NP85377B	Clip for nameplate		*H11A201	Tapping strip for Cat. H20A465
23	NP83455	"Imperial" nameplate		**H11A227	Tapping strip for Cat. H20A465
	58X370	Fastener for nameplate		11X339	Screw fastening tapping strip for H20A465 to inner liner side (10-30)
	H20A385	Washer for nameplate		179789	Washer for Cat. 11X339
24	H15A86	Latch handle with push plate and spring		H20A382	Bracket for lamp receptacle
25	H15A87	Back plate for latch handle, RH cabinet		91X648	Screw for Cat. H20A382 (No. 8)
25	H15A88	Back plate for latch handle, LH cabinet		58X386	Nut for Cat. 91X648
26	H15A89	Pin fastening latch handle to back plate		78X994	Receptacle for butter compartment
27	H15A90	Escutcheon for latch handle, RH cabinet	52	*H2G4510	Brace for inner liner, RH side
27	H15A91	Escutcheon for latch handle, LH cabinet		*H20A511	Brace for inner liner, LH side
28	H13A243	Gasket between back plate for latch handle and outer door panel		**H20A538	Brace for inner liner, RH side
	58X376	Screw fastening back plate for latch handle to outer door panel (No. 8)		**H20A539	Brace for inner liner, LH side
29	H16A78	Upper hinge for R.H. door or lower hinge for L.H. door, without cover		*11X339	Screw fastening brace to inner liner side (10-30)
30	H16A79	Lower hinge for R.H. door or upper hinge for L.H. door, without cover		*H20A380	Washer for Cat. 11X339
31	H16A80	Cover for hinge		H20A110	Rubber plug for inner liner cover
	H16A81	Spacer tube for hinge		H20A470	Metal plug for inner liner cover
	128619	Screw fastening hinge to door (10-32)		58X376	Screw fastening inner liner cover to inner liner L.H. side (No. 8)
	58X381	Screw fastening hinge to cabinet (12-28)		H20A381	Screw fastening inner liner cover to inner liner, R.H. side (No. 8)
	H20A6	Screw fastening thermometer clip to inner door panel (4-48)		58X385	Nut for Cat. H20A381
	58X378	Screw fastening thermometer to clip (4-40)		H13A249	Gasket between inner liner cover and inner liner
32	H14A22	Strike for latch bolt	53	78X993	Lamp receptacle
33	H14A20	Strike case		H20A406	Connector with insulation for leads
	H20A381	Screw for strike (No. 8)		H17A342	Shelf, small, side of evaporator
	58X310	Lockwasher for Cat. H20A381		H17A343	Supporting bracket for small shelf at side of evaporator
34	1G2A21H13	Door switch		H20A512	Screw fastening Cat. H17A343 to evaporator (6-32)
	H13A241	Gasket for door switch		58X382	Nut for Cat. H20A512
	H10A174	Door jamb strip, hinge side	54	58X379	Washer for Cat. H20A512
35	H10A175	Door jamb strip, latch side	55	H17A344	Shelf, top
36	H10A176	Door jamb strip, bottom		H17A324	Hanger for top shelf
37	H10A177	Door jamb strip, top		H17A325	Adjusting plate for top shelf hanger
38	H20A381	Screw for door jamb strip (No. 8)		H20A482	Screw fastening hanger and adjusting plate to evaporator (6-32)
39	H9A39	Door jamb corner		58X382	Nut for Cat. H20A482
	H20A516	Rubber bumper for Evaporator Door	56	H17A345	Sliding shelf with stops
40	H3A143	INNER LINER WITH SHELF SUPPORTS	57	A4R19	Cold storage tray with trim
41	H17A194	Shelf support, headed	58	H18A186	Trim for cold storage tray
42	H17A335	Headed support for butter compartment		H20A513	Trim plug
43	H17A195	Shelf support, straight	59	A4R14	Cover for cold storage tray
	H12A2	Screw for shelf or butter compartment support (1/4 in.-20)		H20A473	Rack for cold storage tray
	H20A464	Washer for Cat. H12A2	60	†H30A170	VEGETABLE DRAWER WITH FRONT PANEL AND HANDLE
44	H17A337	Support for sliding shelf, upper (7/16 in. high)	61	†H30A171	FRUIT DRAWER WITH FRONT PANEL AND HANDLE
45	H17A340	Support for sliding shelf, lower (7/16 in. high)		H30A153	Pan only for vegetable or fruit drawer
46	H20A503	Shim for sliding shelf support (.031 in. thick)	60	†H30A172	Front panel for vegetable drawer
46	H20A504	Shim for sliding shelf support (.062 in. thick)	61	†H30A173	Front panel for fruit drawer
47	H20A505	Bracket for vegetable drawer cover frame, upper	62	H20A514	Handle for vegetable or fruit drawer
	H20A506	Screw fastening support for sliding shelf to inner liner (8-32)		C20H146	Screw fastening front panel and handle to pan(8-32)
	H20A507	Screw fastening support for sliding shelf and upper bracket for vegetable drawer cover frame to inner liner (8-32)		H20A398	Washer for Cat. C20H146
				H20A549	Washer between handle and front panel
48	H20A508	Bracket for vegetable drawer cover frame, lower	63	H20A550	Washer between pan and front panel
	11X339	Screw fastening Cat. H20A508 to inner liner (10-30)	64	H30A149	Frame for cover for vegetable or fruit drawer
	**205128	Nut for Cat. 11X339	65	H30A150	Cover for vegetable or fruit drawer
				H20A515	Support for vegetable or fruit drawer
				H20A401	Rubber foot for Cat. H20A515
				H5X20	Cabinet insulation (Kimsul, 18' roll)

\* These parts were used only on early production cabinets having long vertical braces on the inner liner sides.

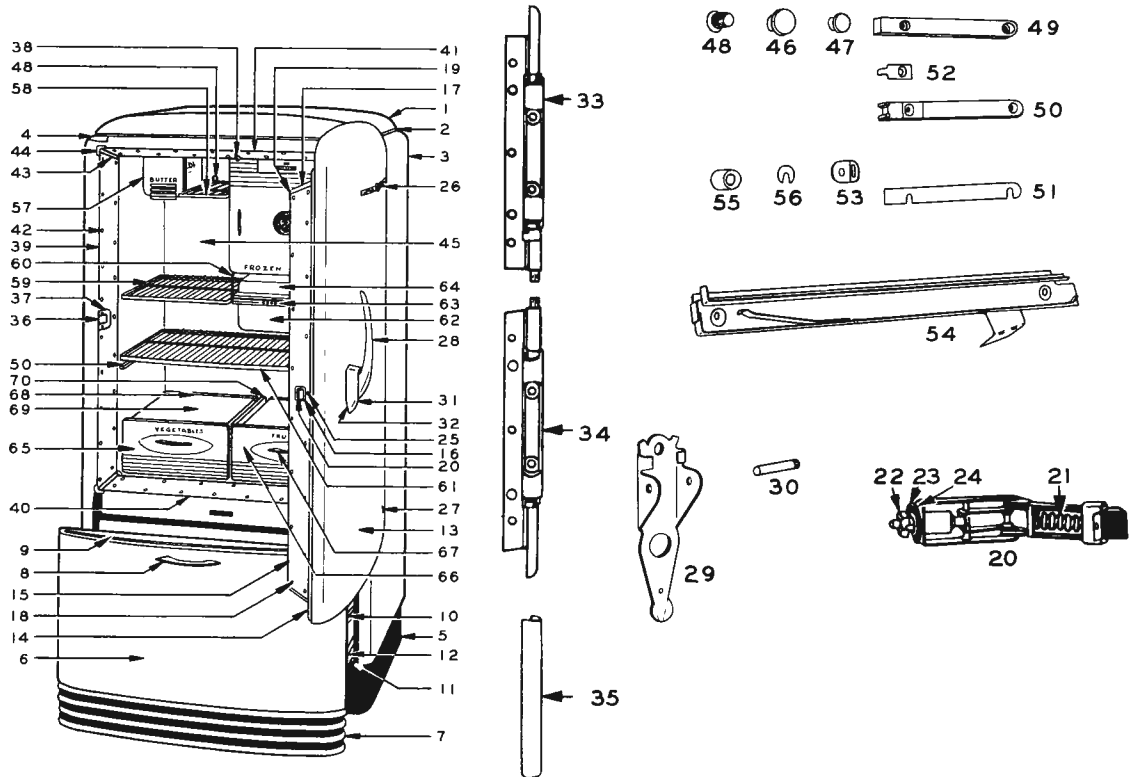
\*\* These parts were used only on later production cabinets having short horizontal braces on the inner liner sides.

† These front panels are porcelain enamel. Early production cabinets were equipped with aluminum front panels. When ordering a replacement front panel for a cabinet with aluminum panels, it will be necessary to order both panels as the porcelain and aluminum panels do not match.

Always Give Catalog Number

# B7-41A, B7-41B, PB7-41A, PB7-41B

FOR REFRIGERATING MACHINE PARTS REFER TO CF-22C UNIT



## Accessories

Quan.	Cat. No.	Description
4	*A5R23	Freezing tray
1	A21R229	Tray lifter
1	*A5R29	Dessert tray complete with two sets of dividers and separator
1	A21R247	Thermometer, case, spacer, and clip
1	A21R248	Thermometer with spacer
1	A21R249	Case for thermometer
1	A21R250	Clip for thermometer
1	A21R140	Water bottle
1	A21R144	Water bottle only

Quan.	Cat. No.	Description
1	A21R187	Handle and cover assembled for water bottle
1	A21R184	Handle only for water bottle
1	A21R185	Cover only for water bottle
1	A21R186	Rivet fastening cover to handle
1	58X383	Washer for Cat. A21R186
1	A21R143	Band for water bottle handle
1	58X275	Screw fastening handle and band to water bottle (6-32)
1	H20A402	Sleeve nut for Cat. 58X275
1	#A20R11	Package of activated carbon for air filter

# Not furnished with cabinet.

\* Models B7-41B and PB7-41B are equipped with 2 Cat. A5R23 freezing trays. Also they are equipped with Cat. A5R28 dessert tray without dividers (Cat. A5R26) and separator (Cat. A5R30).

## Cabinet Parts

Ref. No.	Cat. No.	Description
1	H4A63	TOP COVER FOR CABINET
2	H13A247	Gasket for top cover
	H20A501	Clip for top cover, front
	H20A162	Clip for top cover, back
	H13A165	Gasket for Cat. H20A162
	H20A86	Screw for Cat. H20A501 (10-30)
	91X648	Screw for Cat. H20A162 or refrigerant line sealing plate (No. 8)
	H20A485	Washer for refrigerant line sealing plate
3	H2A131	OUTER CASE (RIGHT-HAND CABINET)
3	H2A132	OUTER CASE (LEFT-HAND CABINET)
	H18A187	Trim for upper R.H. corner of outer case, front
4	H18A188	Trim for upper L.H. corner of outer case, front
	H20A486	Rubber spacer for Cat. H18A187 or H18A188
	H20A168	Washer for Cat. H18A187 or H18A188
	58X326	Nut fastening Cat. H18A187 or H18A188 to outer case
	58X374	Screw fastening condenser to outer case (No.10)
	165736	Washer for Cat. 58X374
	H20A243	Rubber spacer for back of condenser
	H20A62	Screw for rubber spacer (No. 8)
	80X132	Washer for Cat. H20A62
5	H27A136	BASE
	106775	Cap screw fastening condenser to base (5/16 in.-18)
	177811	Nut for Cat. 106775
	H18A22	Washer for Cat. 106775 (7/8 in. O.D.)
	H18A18	Washer for Cat. 106775 (5/8 in. O.D.)
	H13A252	Pad between base and cabinet
	20X536	Cap screw fastening outer case to base (1/4 in.-20)
	160980	Metal washer for Cat. 20X536

Ref. No.	Cat. No.	Description
	H20A502	Reinforcing plate for Cat. 20X536
	H20A255	Fiber washer for Cat. 20X536
	71X272	Screw fastening refrigerating machine to base - (5/16 in.-18)
	177811	Nut for Cat. 71X272
	91X649	Washer for Cat. 71X272
	A2R14	Adjustable glider for front of base
	I41255	Nut for adjustable glider
	H20A475	Bumper for grille
6	H31A89	STORAGE DRAWER WITH GRILLE, FRONT PANEL, AND SLIDES
7	H27A137	Grille for storage drawer
6	H7A362	Front panel for storage drawer
	105113	Screw fastening grille to front panel of storage drawer (10-32)
	H18A19	Washer for Cat. 105113
8	H20A517	Handle for storage drawer
	H20A487	Washer between handle and front panel of storage drawer
	126915	Screw fastening handle to storage drawer (8-32)
	179789	Washer for Cat. 126915
9	H18A189	Trim with retainers for front panel of storage drawer
	H20A488	Retainer for trim
	58X387	Nut for Cat. H20A488
	H20A477	Rubber bumper for front panel of storage drawer
10	H31A90	Storage drawer only
	H20A478	Drain plug for storage drawer
	H31A91	Angle for storage drawer and front panel
	H20A479	Screw fastening angle to storage drawer or to front panel (10-32)
	H18A19	Fiber washer for Cat. H20A479

**B7-41A, B7-41B, PB7-41A, PB7-41B (Cont.)**

Ref. No.	Cat. No.		Description	Ref. No.	Cat. No.		Description
	B7-41A,B	PB7-41A,B			B7-41A,B	PB7-41A,B	
11	165736	165736	Metal washer for Cat. H20A479	11X339	11X339	Screw fastening Cat. H20A508 to inner liner (10-30)	
	H31A66	H31A66	Slide for storage drawer, RH	**205128	**205128	Nut for Cat. 11X339	
	H31A67	H31A67	Slide for storage drawer, LH	**58X310	**58X310	Lockwasher for Cat. 205128	
	H20A479	H20A479	Screw fastening slide to storage drawer (10-32)	H20A509	H20A509	Washer for Cat. 11X339	
12	165736	165736	Washer for Cat. H20A479	H17A321	H17A321	Slide for cold storage tray	
	H31A92	H31A92	Channel with roller for storage drawer, R.H.	H20A465	H20A465	Screw for tray slide (10-30)	
	H31A93	H31A93	Channel with roller for storage drawer, L.H.	H20A466	H20A466	Spacer for tray slide	
	H31A70	H31A70	Spring stop for channel	H20A467	H20A467	Shim for Cat. H20A466 (.031 in. thick)	
	20X536	20X536	Cap screw fastening channel to side of outer case (1/4 in.-20)	H20A468	H20A468	Shim for Cat. H20A466 (.062 in. thick)	
	1X452	1X452	Nut for Cat. 20X536	*H1A201	*H1A201	Tapping strip for Cat. H20A465	
	H20A480	H20A480	Spacing washer between channel and outer case	**H1A227	**H1A227	Tapping strip for Cat. H20A465	
	30X562	30X562	Lockwasher for Cat. 1X452	11X339	11X339	Screw fastening tapping strip for Cat. H20A465 to inner liner (10-30)	
13	-	-	DOOR FOR CABINET	179789	179789	Washer for Cat. 11X339	
13	H7A359	H7A364	Outer door panel (RH cabinet)	H20A382	H20A382	Bracket for lamp receptacle	
	H7A360	H7A365	Outer door panel (LH cabinet)	91X648	91X648	Screw for Cat. H20A382 (No. 8)	
14	H13A248	H13A248	Door gasket	58X386	58X386	Nut for Cat. 91X648	
	H10A171	H10A171	Door strip, hinge side	78X994	78X994	Receptacle for butter conditioner	
15	H10A172	H10A172	Door strip, latch side, with escutcheon for latch bolt	*H20A518	*H20A518	Brace for inner liner, RH side	
	H15A41	H15A41	Escutcheon for latch bolt	*H20A519	*H20A519	Brace for inner liner, LH side	
16	H10A173	H10A173	Door strip, top or bottom	**H20A538	**H20A538	Brace for inner liner, RH side	
17	H20A381	H20A381	Screw for door strip (No. 8)	**H20A539	**H20A539	Brace for inner liner, LH side	
18	H9A38	H9A38	Door corner	*11X339	*11X339	Screw fastening brace to inner liner side (10-30)	
19	H7A361	H7A361	Inner door panel	*H20A380	*H20A380	Washer for Cat. 11X339	
20	H15A102	H15A102	Latch with gasket and nut	H20A110	H20A110	Rubber plug for inner liner cover	
21	H15A64	H15A64	Spring for latch	H20A470	H20A470	Metal plug for inner liner cover	
22	H15A65	H15A65	Nut for latch and handle	58X376	58X376	Screw fastening inner liner cover to inner liner, L.H. side (No. 8)	
23	H15A66	H15A66	Gasket between latch and outer door panel	H20A381	H20A381	Screw fastening inner liner cover to inner liner, R.H. side (No. 8)	
24	H15A93	H15A93	Washer between latch and outer door panel	58X385	58X385	Nut for Cat. H20A381	
25	H20A381	H20A381	Screw fastening latch to door strip (No. 8)	H13A249	H13A249	Gasket between inner liner cover and inner liner	
26	NP85377A	NP85377A	General Electric nameplate	78X993	78X993	Lamp receptacle	
26	NP85377B	NP85377B	Clip for nameplate	H20A406	H20A406	Connector with insulation for leads	
27	NP80196	NP80196	"Deluxe" nameplate	78X998	78X998	BUTTER CONDITIONER WITH TRAY	
	58X370	58X370	Fastener for nameplate	A21R232	A21R232	Tray for butter conditioner	
	H20A385	H20A385	Washer for nameplate	A21R233	A21R233	Door with hinge and handle for butter conditioner	
28	H15A86	H15A86	Latch handle with push plate and spring	A21R234	A21R234	Handle for butter conditioner door	
29	H15A87	H15A87	Back plate for latch handle, RH cabinet	A21R235	A21R235	Screw fastening handle to door	
29	H15A88	H15A88	Back plate for latch handle, LH cabinet	A21R236	A21R236	Screw fastening door hinge to outer case	
30	H15A89	H15A89	Pin fastening latch handle to back plate	A21R237	A21R237	Door spring	
31	H15A90	H15A90	Escutcheon for latch handle, RH cabinet	A21R238	A21R238	Door frame for butter conditioner	
31	H15A91	H15A91	Escutcheon for latch handle, LH cabinet	A21R239	A21R239	Outer case for butter conditioner	
32	H13A243	H13A243	Gasket between back plate for latch handle and outer door panel	A21R240	A21R240	Inner liner for butter conditioner	
	58X376	58X376	Screw fastening back plate for latch handle to outer door panel (No. 8)	A21R241	A21R241	Screw fastening inner liner to outer case	
33	H16A78	H16A78	Upper hinge for R.H. door or lower hinge for L.H. door, without cover	A21R242	A21R242	Steel washer for Cat. A21R236	
34	H16A79	H16A79	Lower hinge for R.H. door or upper hinge for L.H. door, without cover	A21R243	A21R243	Fiber washer for Cat. A21R236	
35	H16A80	H16A80	Cover for hinge	A21R244	A21R244	Thermostat, plug, and heating unit	
	H16A81	H16A81	Spacer tube for hinge	A21R245	A21R245	Knob for thermostat	
	-	H13A254	Gasket between hinge and door	A21R246	A21R246	Screw fastening knob to thermostat	
	-	H13A196	Gasket between hinge and cabinet	H17A342	H17A342	Clip fastening heating unit to inner liner	
	128619	128619	Screw fastening hinge to door (10-32)	H17A343	H17A343	Shelf, small, side of evaporator	
	58X381	58X381	Screw fastening hinge to cabinet (12-28)	H20A512	H20A512	Supporting bracket for H17A342	
	H20A6	H20A6	Screw fastening thermometer clip to inner door panel (4-48)	58X382	58X382	Screw fastening Cat. H17A343 to evaporator (6-32)	
	58X378	58X378	Screw fastening thermometer to clip (4-40)	58X379	58X379	Nut for Cat. H20A512	
36	H14A22	H14A22	Strike for latch bolt	H17A344	H17A344	Washer for Cat. H20A512	
37	H14A20	H14A20	Strike case	H17A324	H17A324	Shelf, top	
	H20A381	H20A381	Screw for strike (No. 8)	H17A325	H17A325	Hanger for top shelf	
	58X310	58X310	Lockwasher for Cat. H20A381	H20A471	H20A471	Adjusting plate for top shelf hanger	
38	1GA21H13	1GA21H13	Door switch	58X382	58X382	Screw fastening hanger to evaporator (6-32)	
	H13A241	H13A241	Gasket for door switch	58X379	58X379	Nut for Cat. H20A471	
	H10A174	H10A174	Door jamb strip, hinge side	H17A345	H17A345	Washer for Cat. H20A471	
	H10A175	H10A175	Door jamb strip, latch side	A4R20	A4R20	Sliding shelf with stops	
39	H10A176	H10A176	Door jamb strip, bottom	H18A186	H18A186	Cold storage tray with trim	
40	H10A177	H10A177	Door jamb strip, top	H20A513	H20A513	Trim for cold storage tray	
41	H20A381	H20A381	Screw for door jamb strip (No. 8)	A4R14	A4R14	Trim plug	
42	H20A516	H20A516	Rubber bumper for Evaporator Door	H20A473	H20A473	Cover for cold storage tray	
	H9A39	H9A39	Door jamb corner	†H30A170	†H30A170	Rack for cold storage tray	
43	-	H18A190	Door jamb corner trim	†H30A171	†H30A171	VEGETABLE DRAWER WITH FRONT PANEL AND HANDLE	
44	H3A144	H3A144	INNER LINER WITH SHELF SUPPORTS	H30A153	H30A153	FRUIT DRAWER WITH FRONT PANEL AND HANDLE	
45	H17A194	H17A194	Shelf support, headed	†H30A172	†H30A172	Pan only for vegetable or fruit drawer	
46	H17A335	H17A335	Headed support for butter compartment	†H30A173	†H30A173	Front panel for vegetable drawer	
47	H17A195	H17A195	Shelf support, straight	H20A514	H20A514	Front panel for fruit drawer	
48	H12A2	H12A2	Screw for shelf or butter compartment support (1/4 in.-20)	C20H146	C20H146	Handle for vegetable or fruit drawer	
	H20A464	H20A464	Washer for Cat. H12A2	H20A398	H20A398	Screw fastening front panel and handle to pan (8-32)	
49	H17A337	H17A337	Support for sliding shelf, upper(7/16 in.high)	H20A549	H20A549	Washer for Cat. C20H146	
50	H17A340	H17A340	Support for sliding shelf, lower(7/16 in.high)	H20A550	H20A550	Washer between handle and front panel	
51	H20A503	H20A503	Shim for sliding shelf support (.031 in.thick)	H30A149	H30A149	Washer between pan and front panel	
51	H20A504	H20A504	Shim for sliding shelf support (.062 in.thick)	H30A150	H30A150	Frame for cover for vegetable or fruit drawer	
52	H20A505	H20A505	Bracket for vegetable drawer cover frame, upper	‡A21R251	‡A21R251	Cover for vegetable or fruit drawer	
	H20A506	H20A506	Screw fastening support for sliding shelf to inner liner (8-32)	A21R253	A21R253	AIR FILTER WITH SUPPORT	
	H20A507	H20A507	Screw fastening support for sliding shelf and upper bracket for vegetable drawer cover frame to inner liner (8-32)	H20A401	H20A401	Cover for air filter	
53	H20A508	H20A508	Bracket for vegetable drawer cover frame,lower	H5X20	H5X20	Rubber foot for air filter	
						Cabinet insulation (Kimsul, 18' roll)	

\* These parts were used only on early production cabinets having long vertical braces on the inner liner sides.

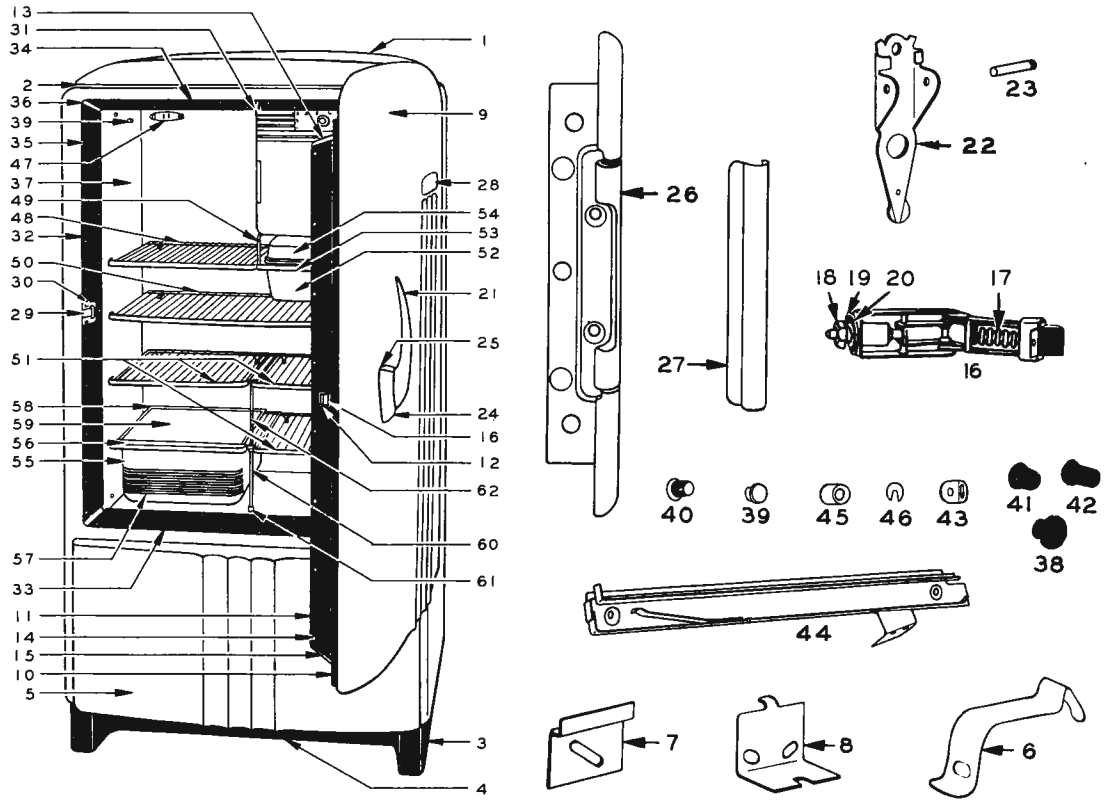
\*\* These parts were used only on later production cabinets having short horizontal braces on the inner liner sides.

† These front panels are porcelain enamel. Early production cabinets were equipped with aluminum front panels. When ordering a replacement front panel for a cabinet with aluminum panels, it will be necessary to order both panels as the porcelain and aluminum panels do not match.

‡ On early production cabinets the support and spring clip were screwed to the air filter. On later production they were riveted together and the parts are not available. Order a complete air filter.

# JB8-41A, JB8-41B

FOR REFRIGERATING MACHINE PARTS REFER TO CF-28E UNIT



### Accessories

Quan.	Cat. No.	Description
4	*A5R23	Freezing tray
1	A21R229	Tray lifter

\* Model JB8-41B is equipped with 2 Cat. A5R23 freezing trays.

### Cabinet Parts

Ref. No.	Cat. No.	Description	Ref. No.	Cat. No.	Description
1	H4A65	TOP COVER FOR CABINET	5	H17A89	Nut for Cat. 65X229
2	H13A255	Gasket for top cover	6	*H7A38C	LOWER DOOR PANEL
	H20A501	Clip for top cover, front		H20A241	Spring clip for lower door panel
	H20A162	Clip for top cover, back		58X375	Screw for Cat. H20A241 (No. 8)
	H20A86	Screw for Cat. H20A501 (10-30)		165736	Washer for Cat. 58X375
	91X648	Screw for Cat. H20A162 or refrigerant line sealing plate (No. 8)		H20A459	Rubber button spacer for lower door panel
	58X374	Screw fastening condenser to outer case (No. 10)	7	H20A181	Support for lower door panel
	165736	Washer for Cat. 58X374		58X376	Screw for Cat. H20A181 (No. 8)
	H20A243	Rubber spacer for back of condenser		H20A240	Washer for Cat. 58X376
	H20A62	Screw for rubber spacer (No. 8)	8	H20A239	Catch for spring clip Cat. H20A241
	80X132	Washer for Cat. H20A62		91X648	Screw for Cat. H20A239 (No. 8)
3	H27A144	BASE	9	-	DOOR FOR CABINET
	106775	Cap screw fastening condenser to base (5/16 in.-18)	9	H7A381	Outer door panel (right-hand cabinet)
	177811	Nut for Cat. 106775		H7A382	Outer door panel (left-hand cabinet)
	H18A22	Washer for Cat. 106775 (7/8 in. O.D.)	10	H13A256	Door gasket
	H18A18	Washer for Cat. 106775 (5/8 in. O.D.)		H10A178	Door strip, hinge side
	20X536	Cap screw fastening outer case to base (1/4 in.-20)	11	H10A179	Door strip, latch side, with escutcheon for latch bolt
	160980	Washer for Cat. 20X536		H15A41	Escutcheon for latch bolt
	H20A502	Reinforcing plate for Cat. 20X536	13	H10A180	Door strip, top or bottom
	71X272	Screw fastening refrigerating machine to base (5/16 in.-18)	14	H20A381	Screw for door strip (No. 8)
	177811	Nut for Cat. 71X272	15	H9A38	Door corner
	91X649	Washer for Cat. 71X272		H7A379	Inner door panel
	A2R16	Adjustable glider for front of base	16	H15A102	Latch with gasket and nut
	I41255	Nut for adjustable glider	17	H15A64	Spring for latch
4	H27A143	Skirt for base	18	H15A65	Nut for latch and handle
	65X229	Screw fastening skirt to base (1/4 in.-20)	19	H15A66	Gasket between latch and outer door panel
			20	H15A93	Washer between latch and outer door panel
				H20A381	Screw fastening latch to door strip (No. 8)

\* The lower door panel is drilled so that Cat. H27A146 Grille can be installed.

Always Give Catalog Number

**JB8-41A, JB8-41B (Cont.)**

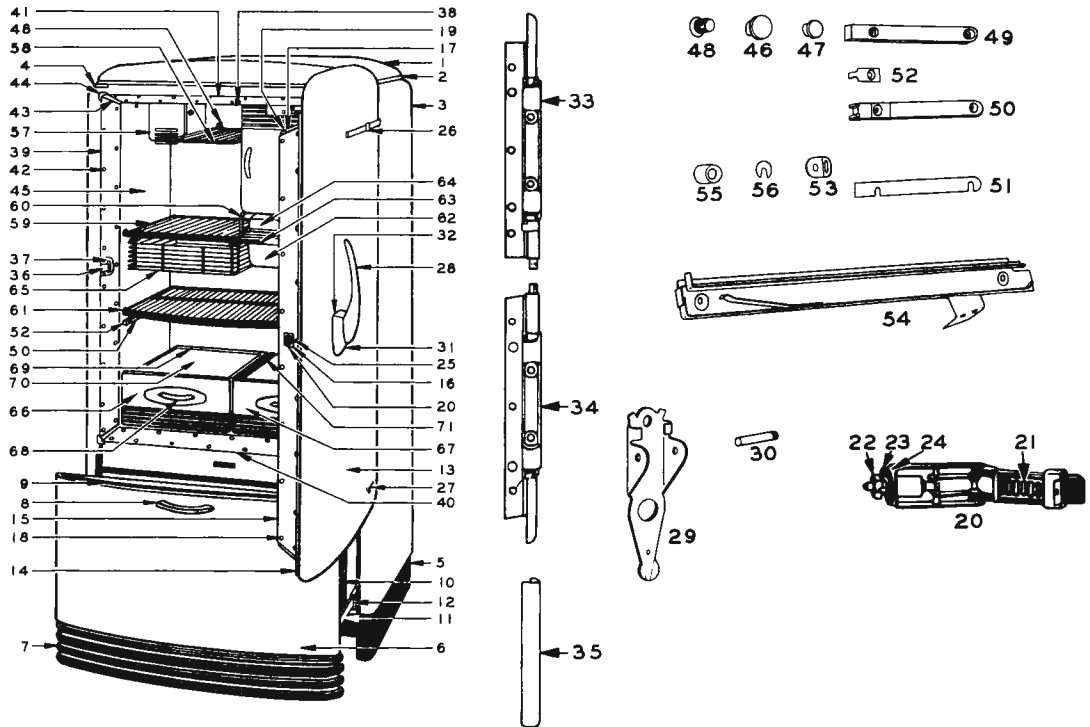
Ref. No.	Cat. No.	Description	Ref. No.	Cat. No.	Description
21	H15A86	Latch handle with push plate and spring		H11A201	Tapping strip for Cat. H20A465
22	H15A87	Back plate for latch handle, RH cabinet		11X339	Screw fastening Cat. H11A201 to inner liner, side (10-30)
22	H15A88	Back plate for latch handle, LH cabinet		179789	Washer for Cat. 11X339
23	H15A89	Pin fastening latch handle to back plate		H20A382	Bracket for lamp receptacle
24	H15A90	Escutcheon for latch handle, RH cabinet		91X648	Screw for Cat. H20A382 (No. 8)
24	H15A91	Escutcheon for latch handle, LH cabinet		78X994	Receptacle for butter compartment
25	H13A243	Gasket between back plate for latch handle and outer door panel	47	H20A522	Brace for inner liner, right-hand side
	58X376	Screw fastening back plate for latch handle to outer door panel (No. 8)		H20A523	Brace for inner liner, left-hand side
26	H16A83	Hinge without cover		11X339	Screw fastening brace to inner liner side (10-30)
27	H16A84	Cover for hinge		H20A380	Washer for Cat. 11X339
	128619	Screw fastening hinge to door (10-32)		H20A110	Rubber plug for inner liner cover
	58X381	Screw fastening hinge to cabinet (12-28)		H20A470	Metal plug for inner liner cover
28	NP74779A	Nameplate		58X376	Screw fastening inner liner cover to inner liner, L.H. side (No. 8)
28	NP74779B	Clip for nameplate		H20A381	Screw fastening inner liner cover to inner liner, R.H. side (No. 8)
	H20A6	Screw for nameplate clip (4-48)		58X385	Nut for Cat. H20A381
29	H14A22	Strike for latch bolt		H13A249	Gasket between inner liner cover and inner liner
30	H14A20	Strike case		78X993	Lamp receptacle
	H20A381	Screw for strike (No. 8)		H20A406	Connector with insulation for leads
	58X310	Lockwasher for Cat. H20A381	48	H17A352	Shelf, top
31	1GA21H12	Door switch	49	H17A324	Hanger for top shelf
	H13A241	Gasket for door switch		H17A325	Adjusting plate for top shelf hanger
	H10A181	Door jamb strip, hinge side		H20A471	Screw fastening hanger and adjusting plate to evaporator (6-32)
32	H10A182	Door jamb strip, latch side		58X382	Nut for Cat. H20A471
33	H10A183	Door jamb strip, bottom		58X379	Washer for Cat. H20A471
34	H10A184	Door jamb strip, top	50	H17A350	Shelf, first from top
35	H20A381	Screw for door jamb strip (No. 8)	51	H17A351	Half shelf
	H20A516	Rubber bumper for evaporator door	52	A4R12	Cold storage tray with trim
36	H9A39	Door jamb corner	53	H18A177	Trim for cold storage tray
37	H3A148	INNER LINER WITH SHELF SUPPORTS		H20A472	Trim plug
38	H17A90	Shelf support, headed	54	A4R13	Cover for cold storage tray
39	H17A335	Headed support for butter compartment		H20A473	Rack for cold storage tray
40	**H17A195	Support for butter conditioner, straight, white (3/4 in. long)	55	H30A143	VEGETABLE DRAWER WITH TRIM
41	H17A89	Shelf support, straight (1/2 in. long)	55	H30A144	Pan only for vegetable drawer
42	H17A122	Shelf support, straight, black (3/4 in. long)	56	H18A185	Trim for vegetable drawer
	H12A2	Screw for shelf or butter compartment support (1/4 in.-20)		58X384	Screw fastening trim to vegetable drawer (6-32)
	H20A464	Washer for Cat. H12A2		91X49	Nut for Cat. 58X384
43	H20A508	Bracket for vegetable drawer cover frame	57	675	Washer for Cat. 58X384
	11X339	Screw fastening Cat. H20A508 to inner liner (10-30)		NP852148	Nameplate for vegetable drawer
	H20A509	Washer for Cat. 11X339	58	H30A145	Frame for cover for vegetable drawer
44	H17A321	Slide for cold storage tray	59	H30A146	Cover for vegetable drawer
	H20A465	Screw for tray slide (10-30)	60	H20A524	Support for vegetable drawer and half shelf
45	H20A466	Spacer for tray slide	61	H20A401	Rubber foot for Cat. H20A524
46	H20A467	Shim for Cat. H20A466 (.031 in. thick)	62	H20A525	Support for half shelves
46	H20A468	Shim for Cat. H20A466 (.062 in. thick)		H5X20	Cabinet insulation (Kimsul, 18' roll)

\*\*Early production cabinets used H17A122 black support for butter conditioner.

Always Give Catalog Number

# B8-41A, B8-41B, PB8-41A, PB8-41B

FOR REFRIGERATING MACHINE PARTS REFER TO CF-22C UNIT



## Accessories

Quan.	Cat. No.	Description
4	†A5R23	Freezing tray
1	A21R229	Tray lifter
1	†A5R29	Dessert tray complete with two sets of dividers and separator
1	A21R247	Thermometer, case, spacer, and clip
1	A21R248	Thermometer element with spacer
1	A21R249	Case for thermometer
1	A21R250	Clip for thermometer
1	A21R140	Water bottle
1	A21R144	Water bottle only

Quan.	Cat. No.	Description
1	A21R187	Handle and cover assembled for water bottle
1	A21R184	Handle only for water bottle
1	A21R185	Cover only for water bottle
1	A21R186	Rivet fastening cover to handle
1	58X383	Washer for Cat. A21R186
1	A21R143	Band for water bottle handle
1	H20A402	Sleeve nut for Cat. 58X275
1	58X275	Screw fastening handle and band to water bottle (6-32)
	*A20R11	Package of activated carbon for air filter

† Models B8-41B and PB8-41B are equipped with 2 Cat. A5R23 freezing trays. Also they are equipped with Cat. A5R28 dessert tray without dividers (Cat. A5R26) and separator (Cat. A5R30).

\* Not furnished with cabinet.

## Cabinet Parts

Ref. No.	Cat. No.	Description
	B8-41A,B PB8-41A,B	
1	H4A65	TOP COVER FOR CABINET
2	H13A255	Gasket for top cover
	H20A501	Clip for top cover, front
	H20A162	Clip for top cover, back
	H13A165	Gasket for Cat. H20A162
	H20A86	Screw for Cat. H20A501 (10-30)
	91X648	Screw for Cat. H20A162 or refrigerant line sealing plate (No. 8)
	H20A485	Washer for refrigerant line sealing plate
3	H2A147	OUTER CASE, RH CABINET
3	H2A148	OUTER CASE, LH CABINET
	H18A187	Trim for upper RH corner of outer case, front
	H18A188	Trim for upper LH corner of outer case, front
	H20A486	Rubber spacer for Cat. H18A187 or H18A188
	H20A168	Washer for Cat. H18A187 or H18A188
	58X326	Nut fastening Cat. H18A187 or H18A188 to outer case
	58X374	Screw fastening condenser to outer case (No. 10)
	I65736	Washer for Cat. 58X374
	H20A243	Rubber spacer for back of condenser
	H20A62	Screw for rubber spacer (No. 8)
	80X132	Washer for Cat. H20A62
5	H27A145	BASE
	I06775	Cap screw fastening condenser to base (5/16 in.-18)
	I77811	Nut for Cat. I06775
	H18A22	Washer for Cat. I06775 (7/8 in. O.D.)
	H18A18	Washer for Cat. I06775 (5/8 in. O.D.)
	-	Pad between base and cabinet
	20X536	Cap screw fastening outer case to base (1/4 in.-20)
	I60980	Metal washer for Cat. 20X536
	H20A502	Reinforcing plate for Cat. 20X536

Ref. No.	Cat. No.	Description
	B8-41A,B PB8-41A,B	
	H20A255	Fiber washer for Cat. 20X536
	71X272	Screw fastening refrigerating machine to base (5/16 in.-18)
	I77811	Nut for Cat. 71X272
	91X649	Washer for Cat. 71X272
	A2R14	Adjustable glider for front of base
	I41255	Nut for adjustable glider
	H20A475	Bumper for grille
6	H31A106	STORAGE DRAWER WITH GRILLE, FRONT PANEL AND SLIDES
7	H27A146	Grille for storage drawer
6	H7A383	Front panel for storage drawer
	I05113	Screw fastening grille to front panel (10-32)
	H18A19	Washer for Cat. I05113
8	H20A517	Handle for storage drawer
	H20A487	Washer between handle and front panel
	I26915	Screw fastening handle to storage drawer (8-32)
	I79789	Washer for Cat. I26915
9	H18A192	Trim with retainer for front panel
	H20A488	Retainer for trim
	58X387	Nut for Cat. H20A488
	H20A477	Rubber bumper for front panel
10	H31A103	Storage drawer only
	H20A478	Drain plug for storage drawer
	H31A91	Angle for storage drawer and front panel
	H20A479	Screw fastening angle to storage drawer or to front panel (10-32)
	H18A19	Fiber washer for Cat. H20A479
	I65736	Metal washer for Cat. H20A479
11	H31A66	Slide for storage drawer, RH side
	H31A67	Slide for storage drawer, LH side

Always Give Catalog Number



# B8-41A, B8-41B, PB8-41A, PB8-41B (Cont.)

Ref. No.	Cat. No.		Description	Ref. No.	Cat. No.		Description	
	B8-41A,B	PB8-41A,B			B8-41A,B	PB8-41A,B		
12	H20A479	H20A479	Screw fastening slide to storage drawer (10-32)	53	H20A508	H20A508	Bracket for vegetable drawer cover frame, lower	
	I65736	I65736	Washer for Cat. H20A479		I1X339	I1X339	Screw fastening Cat. H20A508 to inner liner (10-30)	
	H31A92	H31A92	Channel with roller for storage drawer, RH side		**205128	**205128	Nut for Cat. I1X339	
	H31A93	H31A93	Channel with roller for storage drawer, LH side		**58X310	**58X310	Lockwasher for Cat. 205128	
	H31A70	H31A70	Spring stop for channel		H20A509	H20A509	Washer for Cat. I1X339	
	20X536	20X536	Cap screw fastening channel to side of outer case (1/4 in.-20)		H17A321	H17A321	Slide for cold storage tray	
	IX452	IX452	Nut for Cat. 20X536		H20A465	H20A465	Screw for cold storage tray slide (10-30)	
	H20A480	H20A480	Spacing washer between channel and outer case		H20A466	H20A466	Spacer for cold storage tray slide	
	30X562	30X562	Lockwasher for Cat. IX452		H20A467	H20A467	Shim for Cat. H20A466 (.031 in. thick)	
			DOOR FOR CABINET		H20A468	H20A468	Shim for Cat. H20A466 (.062 in. thick)	
	13	H7A384	H7A388		Outer door panel, RH cabinet	**H1A201	**H1A201	Tapping strip for Cat. H20A465
	13	H7A385	H7A389		Outer door panel, LH cabinet	**H1A227	**H1A227	Tapping strip for Cat. H20A465
14	H13A258	H13A258	Door gasket	I1X339	I1X339	Screw fastening tapping strip for Cat. H20A465 to inner liner, side (10-30)		
15	H10A185	H10A185	Door strip, hinge side	179789	179789	Washer for Cat. I1X339		
15	H10A186	H10A186	Door strip, latch side, with escutcheon for latch bolt	H20A382	H20A382	Bracket for lamp receptacle		
16	H15A41	H15A41	Escutcheon for latch bolt	91X648	91X648	Screw for Cat. H20A382 (No. 8)		
17	H10A187	H10A187	Door strip, top or bottom	78X994	78X994	Receptacle for butter conditioner		
18	H20A381	H20A381	Screw for door strip (No. 8)	**H20A526	**H20A526	Brace for inner liner, RH side		
19	H9A38	H9A38	Door corner	**H20A527	**H20A527	Brace for inner liner, LH side		
20	H7A386	H7A386	Inner door panel	**H20A538	**H20A538	Brace for inner liner, RH side		
20	H15A102	H15A102	Latch with gasket and nut	**H20A539	**H20A539	Brace for inner liner, LH side		
21	H15A64	H15A64	Spring for latch	*I1X339	*I1X339	Screw fastening brace to inner liner side (10-30)		
22	H15A65	H15A65	Nut for latch and handle	**H20A380	**H20A380	Washer for Cat. I1X339		
23	H15A66	H15A66	Gasket between latch and outer door panel	H20A110	H20A110	Rubber plug for inner liner cover		
24	H15A93	H15A93	Washer between latch and outer door panel	H20A470	H20A470	Metal plug for inner liner cover		
25	H20A381	H20A381	Screw fastening latch to door strip (No. 8)	58X376	58X376	Screw fastening inner liner cover to inner liner, LH side (No. 8)		
26	NP85377A	NP85377A	General Electric nameplate	H20A381	H20A381	Screw fastening inner liner cover to inner liner, RH side (No. 8)		
26	NP85377B	NP85377B	Clip for nameplate	58X385	58X385	Nut for Cat. H20A381		
27	NP80196	NP80196	"Deluxe" nameplate	H13A249	H13A249	Gasket between inner liner cover and inner liner		
27	58X370	58X370	Fastener for nameplate	78X993	78X993	Lamp receptacle		
28	H20A385	H20A385	Washer for nameplate	H20A406	H20A406	Connector with insulation for leads		
28	H15A86	H15A86	Latch handle with push plate and spring	78X998	78X998	BUTTER CONDITIONER WITH TRAY		
29	H15A87	H15A87	Back plate for latch handle, RH cabinet	A21R232	A21R232	Tray for butter conditioner		
29	H15A88	H15A88	Back plate for latch handle, LH cabinet	A21R233	A21R233	Door with hinge and handle for butter conditioner		
30	H15A89	H15A89	Pin fastening latch handle to back plate	A21R234	A21R234	Handle for butter conditioner door		
31	H15A90	H15A90	Escutcheon for latch handle, RH cabinet	A21R235	A21R235	Screw fastening handle to door (4-40)		
31	H15A91	H15A91	Escutcheon for latch handle, LH cabinet	A21R236	A21R236	Screw fastening door hinge to outer case (6-32)		
32	H13A243	H13A243	Gasket between back plate for latch handle and outer door panel	A21R237	A21R237	Door spring		
		H20A528	Washer between back plate for latch handle and outer door panel (7/16 in. O.D.)	A21R238	A21R238	Door frame for butter conditioner		
		H20A529	Washer between back plate for latch handle and outer door panel (3/4 in. O.D.)	A21R239	A21R239	Outer case for butter conditioner		
	58X376	58X376	Screw fastening back plate for latch handle to outer door panel (No. 8)	A21R240	A21R240	Inner liner for butter conditioner		
33	H16A78	H16A78	Upper hinge for R.H. door or lower hinge for L.H. door, without cover	A21R236	A21R236	Screw fastening inner liner to outer case (6-32)		
34	H16A79	H16A79	Lower hinge for R.H. door or upper hinge for L.H. door, without cover	A21R241	A21R241	Steel washer for Cat. A21R236		
35	H16A80	H16A80	Cover for hinge	A21R242	A21R242	Fiber washer for Cat. A21R236		
	H16A85	H16A85	Spacer tube for hinge	A21R243	A21R243	Thermostat, plug, and heating unit		
		H13A254	Gasket between hinge and door	A21R244	A21R244	Knob for thermostat		
		H13A196	Gasket between hinge and cabinet	A21R245	A21R245	Screw fastening knob to thermostat (4-40)		
	I28619	I28619	Screw fastening hinge to door (10-32)	A21R246	A21R246	Clip fastening heating unit to inner liner		
	58X381	58X381	Screw fastening hinge to cabinet (12-28)	H17A353	H17A353	Shelf, small, side of evaporator		
	H20A6	H20A6	Screw fastening thermometer clip to inner door panel (4-48)	H17A343	H17A343	Supporting bracket for Cat. H17A353		
	58X378	58X378	Screw fastening thermometer to clip (4-40)	H20A512	H20A512	Screw fastening Cat. H17A343 to evaporator (6-32)		
36	H14A22	H14A22	Strike for latch bolt	58X382	58X382	Nut for Cat. H20A512		
37	H14A20	H14A20	Strike case	58X379	58X379	Washer for Cat. H20A512		
	H20A381	H20A381	Screw for strike (No. 8)	H17A354	H17A354	Shelf, top		
	58X310	58X310	Lockwasher for Cat. H20A381	H17A324	H17A324	Hanger for top shelf		
38	I6A21H13	I6A21H13	Door switch	H17A325	H17A325	Adjusting plate for top shelf hanger		
	H13A241	H13A241	Gasket for door switch	H20A471	H20A471	Screw fastening hanger and adjusting plate to evaporator (6-32)		
	H10A188	H10A188	Door jamb strip, hinge side	58X382	58X382	Nut for Cat. H20A471		
39	H10A189	H10A189	Door jamb strip, latch side	58X379	58X379	Washer for Cat. H20A471		
40	H10A190	H10A190	Door jamb strip, bottom	H17A355	H17A355	Sliding shelf with stops		
41	H10A191	H10A191	Door jamb strip, top	A4R20	A4R20	Cold storage tray with trim		
42	H20A381	H20A381	Screw for door jamb strip (No. 8)	H18A186	H18A186	Trim for cold storage tray		
	H20A516	H20A516	Rubber bumper for evaporator door	H20A513	H20A513	Trim plug		
43	H9A39	H9A39	Door jamb corner	A4R14	A4R14	Cover for cold storage tray		
44		H18A190	Door jamb corner trim	H20A473	H20A473	Rack for cold storage tray		
45	H3A149	H3A149	INNER LINER WITH SHELF SUPPORTS	A21R260	A21R260	Basket with partition for top shelf		
46	H17A194	H17A194	Shelf support, headed	A21R261	A21R261	Basket without partition		
47	H17A335	H17A335	Headed support for butter conditioner	A21R262	A21R262	Partition for basket		
48	H17A195	H17A195	Shelf support, straight	H30A159	H30A159	VEGETABLE DRAWER WITH FRDNT PANEL AND HANDLE		
	H12A2	H12A2	Screw for shelf or butter conditioner support (1/4 in.-20)	H30A160	H30A160	FRUIT DRAWER WITH FRONT PANEL AND HANDLE		
	H20A464	H20A464	Washer for Cat. H12A2	H30A161	H30A161	Pan only for vegetable or fruit drawer		
49	H17A337	H17A337	Support for sliding shelf, upper (7/16 in. high)	H30A162	H30A162	Front panel for vegetable drawer		
50	H17A340	H17A340	Support for sliding shelf, lower (7/16 in. high)	H30A163	H30A163	Front panel for fruit drawer		
51	H20A503	H20A503	Shim for sliding shelf support (.031 in. thick)	H20A514	H20A514	Handle for vegetable or fruit drawer		
51	H20A504	H20A504	Shim for sliding shelf support (.062 in. thick)	C20H146	C20H146	Screw fastening front panel and handle to pan (8-32)		
52	H20A505	H20A505	Bracket for vegetable drawer cover frame, upper	H20A398	H20A398	Washer for Cat. C20H146		
	H20A506	H20A506	Screw fastening support for sliding shelf to inner liner (8-32)	H30A145	H30A145	Frame for cover for vegetable or fruit drawer		
	H20A507	H20A507	Screw fastening support for sliding shelf and upper bracket for vegetable drawer cover frame to inner liner (8-32)	H30A146	H30A146	Cover for vegetable or fruit drawer		
				A21R251	A21R251	AIR FILTER WITH SUPPORT		
				A21R253	A21R253	Cover for air filter		
				H20A401	H20A401	Rubber foot for air filter		
				H5X20	H5X20	Cabinet insulation (Kimsul, 18' roll)		

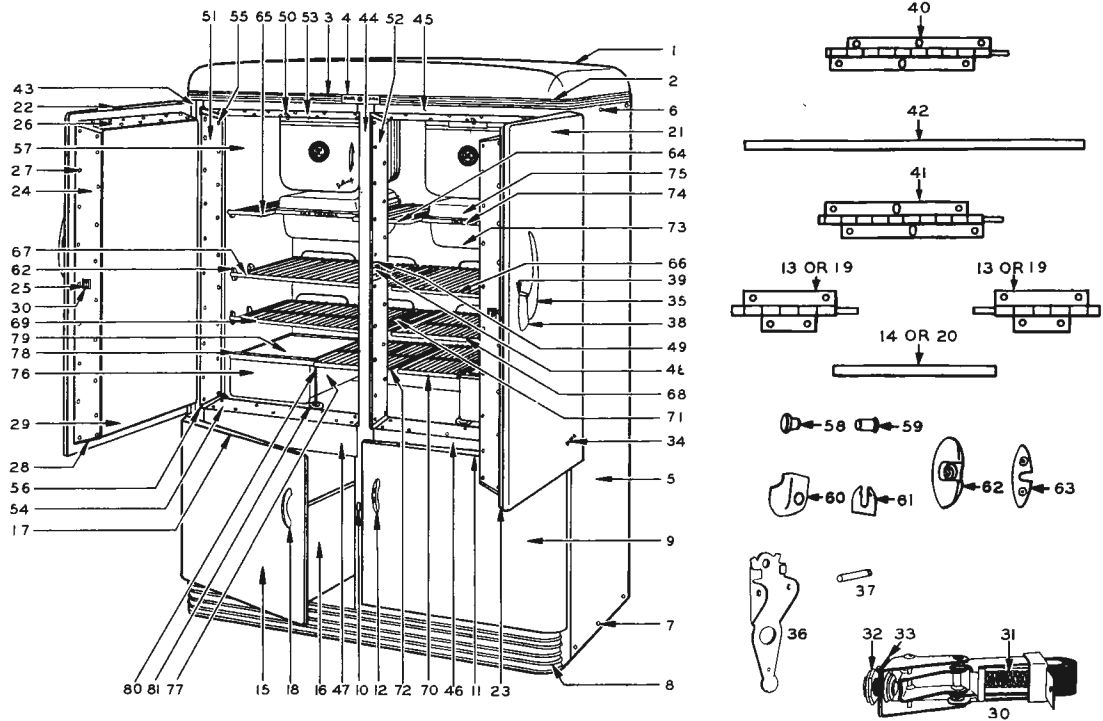
\* These parts were used only on early production cabinets having long vertical braces on the inner liner sides.

\*\* These parts were used only on later production cabinets having short horizontal braces on the inner liner sides.

Always Give Catalog Number

# PB12B, PB12C, PB16B, PB16C

FOR REFRIGERATING MACHINE PARTS REFER TO CE-34E UNIT



## Accessories

Quan.	Cat. No.		Description
	PB12B,C	PB16B,C	
8	*A5R23	*A5R23	Freezing trays
1	*A5R29	*A5R29	Dessert tray complete with two sets of flexible dividers and separator
1	A21R229	A21R229	Tray lifter
1	A21R87	A21R87	Thermometer, case, and clip
1	A21R128	A21R128	Thermometer only
1	NP75762A	NP75762A	Case for thermometer
1	A21R129	A21R129	Clip for thermometer
1	A21R140	A21R140	Water bottle
1	A21R144	A21R144	Water bottle only
1	A21R187	A21R187	Handle and cover assembled
1	A21R184	A21R184	Handle only for water bottle
1	A21R185	A21R185	Cover only for water bottle
1	A21R186	A21R186	Rivet fastening cover to handle

Quan.	Cat. No.		Description
	PB12B,C	PB16B,C	
1	58X383	58X383	Washer for Cat. A21R186*
1	A21R143	A21R143	Band for water bottle handle
1	H20A402	H20A402	Sleeve nut for Cat. 58X275
1	58X275	58X275	Screw fastening handle and band to water bottle (6-32)
2	A21R178	A21R181	Air filters
2	A21R179	A21R182	Perforated container for air filter
2	A21R174	A21R174	End cap for air filter, RH side
2	A21R175	A21R175	End cap for air filter, LH side
1	†A20R11	†A20R11	Package of activated carbon for air filter
2	NP81609A	NP81609A	Nameplate for air filter
2	NP81609B	NP81609B	Clip for nameplate
4	58X369	58X369	Screw for nameplate clip (No. 4)

\* Models PB12C and PB16C are equipped with 4 Cat. A5R23 freezing trays. Also they are equipped with Cat. A5R28 dessert tray without dividers (Cat. A5R26) and separator (Cat. A5R30).

† Not furnished with cabinet.

## Cabinet Parts

Ref. No.	Cat. No.		Description
	PB12B,C	PB16B,C	
1	H4A58	H4A59	TOP COVER FOR CABINET
	H13A218	H13A221	Gasket for top cover, front and sides
	H13A219	H13A222	Gasket for top cover, back
	H20A367	H20A367	Clip for top cover, front
	145995	145995	Screw for Cat. H20A367 (10-32)
	H20A368	H20A368	Bracket for top cover, back
	91X648	91X648	Screw fastening Cat. H20A368 to top cover (No. 8)
	H20A369	H20A369	Bracket for outer case, back
	91X648	91X648	Screw fastening Cat. H20A369 to outer case (No. 8)
	20X527	20X527	Screw fastening Cat. H20A368 to Cat. H20A369 (1/4 in.-20)
	1X452	1X452	Nut for Cat. 20X527
	143974	143974	Washer for Cat. 20X527
2	H18A159	H18A170	Trim for top cover, RH side
3	H18A160	H18A169	Trim for top cover, LH side
	58X287	58X287	Screw for trim (No. 8)
4	NP70481	NP70481	Nameplate
5	H8A89	H8A89	Panel for outer case, RH side
	H8A90	H8A90	Panel for outer case, LH side
	H5A257	H5A257	Insulation between side panel and outer case
6	H20A49	H20A49	Screw for Cat. H8A89 or H8A90, top or side (No. 8)
7	91X299	91X299	Screw for Cat. H8A89 or H8A90, bottom (No. 8)
	H18A38	H18A38	Washer for Cat. H20A49 or 91X299

Ref. No.	Cat. No.		Description
	PB12B,C	PB16B,C	
	H20A409	H20A409	Nut for Cat. 91X299
	136979	136979	Screw for refrigerant line sealing plate (10-24)
	H20A370	H20A370	Support for refrigerant line sealing plate
	H20A371	H20A371	Clamp for refrigerant line, upper
	91X648	91X648	Screw for Cat. H20A370 or H20A371 (No. 8)
	H20A243	H20A243	Rubber spacer for Cat. H20A371
	H20A62	H20A62	Screw for Cat. H20A243 (No. 8)
	80X132	80X132	Washer for Cat. H20A62
	H20A202	H20A202	Clamp for refrigerant line, lower
	91X648	91X648	Screw for Cat. H20A202 (No. 8)
	H27A153	H27A151	BASE
	H20A374	H20A374	Partition between storage bin and refrigerating machine compartment
	H22A43	H22A43	Sound insulation for partition
	H20A263	H20A263	Rubber button bumper for partition
	H20A75	H20A75	Washer for Cat. H20A263
	126915	126915	Screw fastening partition to base (8-32)
	H20A375	H20A375	Nut for Cat. 126915
	91X648	91X648	Screw fastening partition to bottom of outer case (No. 8)
	279364	279364	Cap screw fastening outer case to base (5/16 in.-18)
	6X814	6X814	Lockwasher for Cat. 279364

**PB12B, PB12C, PB16B, PB16C (Cont.)**

Ref. No.	Cat. No.		Description	Ref. No.	Cat. No.		Description
	PB12B,C	PB16B,C			PB12B,C	PB16B,C	
	71X272	71X272	Carriage bolt fastening refrigerating machine to base (5/16 in.-18)	40	H16A45	H16A45	Upper hinge for RH door or lower hinge for LH door
	177811	177811	Nut for Cat. 71X272	41	H16A44	H16A44	Lower hinge for RH door or upper hinge for LH door
	H18A22	H18A22	Washer for Cat. 71X272	42	H16A46	H16A46	Spacing rod for hinge
	A2R14	A2R14	Adjustable glider for front of base	43	11X339	11X339	Screw for hinge (10-30)
8	H27A154	H27A152	Grille for base		H18A163	H18A163	Trim, front, LH side
9	H7A14	H7A409	REFRIGERATING MACHINE COMPARTMENT DOOR PANEL		H18A164	H18A164	Trim, front, RH side
	H22A42	H22A44	Sound insulation for refr. mach. comp. door	44	H20A544	H20A544	Shim for Cat. H18A163 or H18A164
	H20A540	H20A540	Reinforcing plate for refr. mach. comp. door		H18A165	H18A165	Trim, front, mullion
	91X648	91X648	Screw for Cat. H20A540 (No. 8)	45	H20A545	H20A545	Shim for Cat. H18A165
	165736	165736	Washer for Cat. 91X648		H18A166	H18A171	Trim, front, top cross piece, RH or LH side
10	H20A541	H20A541	Spring catch for refr. mach. comp. door	46	H20A551	H20A546	Shim for Cat. H18A171 or H18A166
	H20A542	H20A542	Spacer between Cat. H20A541 and refr. mach. comp. door	47	H18A167	H18A172	Trim, front, bottom cross piece, RH side
	11X339	11X339	Screw fastening Cat. H20A541 to refr. mach. comp. door		H18A168	H18A173	Trim, front, bottom cross piece, LH side
	200384	200384	Nut for Cat. 11X339		H20A552	H20A547	Shim for trim, front, bottom cross piece
	H20A543	H20A543	Washer for Cat. 11X339 (7/8 in. O.D.)		11X339	11X339	Screw for trim (10-30)
	165736	165736	Washer for Cat. 11X339 (5/8 in. O.D.)		H20A138	H20A138	Washer for Cat. 11X339
	58X391	58X391	Screw fastening Cat. H20A541 to H20A374		H10A145	H10A146	Filler strip between top cover trim and outer case, RH or LH side
11	H18A208	H18A204	Trim with retainers for refr. mach. comp. door		H20A553	H20A548	Shim for Cat. H10A146 or H10A145
	H20A488	H20A488	Retainer for trim		H20A86	H20A86	Screw for filler strip (10-30)
	58X387	58X387	Nut for Cat. H20A488	48	H20A138	H20A138	Washer for Cat. H20A86
12	H20A407	H20A407	Handle for refr. mach. comp. door	49	H14A22	H14A22	Strike for latch bolt
	H20A138	H20A138	Washer between handle and door		H14A20	H14A20	Strike case
	105113	105113	Screw for Cat. H20A407 (10-32)		H20A381	H20A381	Screw for strike (No. 8)
	54X441	54X441	Lockwasher for Cat. 105113	50	58X310	58X310	Lockwasher for Cat. H20A381
13	H16A47	H16A47	Hinge for refr. mach. comp. door		1GA21H13	1GA21H13	Door switch
14	H16A48	H16A48	Spacing rod for hinge	51	H13A241	H13A241	Gasket for door switch
	11X339	11X339	Screw for hinge (10-30)	52	H10A207	H10A207	Door jamb strip, hinge side
15	H7A263	H7A265	STORAGE BIN DOOR PANEL	53	H10A208	H10A208	Door jamb strip, latch side
	H22A42	H22A44	Sound insulation for door panel	54	H10A213	H10A209	Door jamb strip, top
16	H31A42	H31A43	Storage bin	55	H10A214	H10A210	Door jamb strip, bottom
	91X648	91X648	Screw fastening storage bin to panel (No. 8)	56	H20A381	H20A381	Screw for door jamb strip (No. 8)
	165736	165736	Washer for Cat. 91X648	57	H9A34	H9A34	Door jamb corner
	H20A378	H20A378	Catch for storage bin		H3A131	H3A132	INNER LINER WITH SHELF SUPPORTS
	H12X2	H12X2	Screw for Cat. H20A378 (10-30)	58	H17A194	H17A194	Shelf support, headed
	H20A138	H20A138	Washer for Cat. H12X2		H18A3	H18A3	Washer for Cat. H17A194
	46X808	46X808	Stop for storage bin (1/4 in.-20)	59	H17A195	H17A195	Shelf support, straight
	1X452	1X452	Nut for Cat. 46X808		H12A2	H12A2	Screw for Cat. H17A194 or H17A195 (1/4 in.-20)
	30X562	30X562	Lockwasher for Cat. 46X808	60	H20A388	H20A388	Support for vegetable drawer
17	H18A209	H18A205	Trim with retainers for storage bin panel	61	H20A393	H20A393	Shim for Cat. H20A388 (.031 in. thick)
	H20A488	H20A488	Retainer for trim	62	H20A394	H20A394	Shim for Cat. H20A388 (.062 in. thick)
	58X387	58X387	Nut for Cat. H20A488	63	H17A238	H17A238	Shelf support, single slot (11/16 in. high)
18	H20A407	H20A407	Handle for storage bin door		H20A391	H20A391	Shim for Cat. H17A238 (.031 in. thick)
	H20A138	H20A138	Washer between handle and door		H20A392	H20A392	Shim for Cat. H17A238 (.062 in. thick)
	105113	105113	Screw for Cat. H20A407 (10-32)		H20A159	H20A159	Screw for Cat. H20A388 or H17A238 (10-30)
	54X441	54X441	Lockwasher for Cat. 105113		58X364	58X364	Lockwasher for Cat. H20A159
19	H16A47	H16A47	Hinge for storage bin door		H20A382	H20A382	Bracket for lamp receptacle
20	H16A48	H16A48	Spacing rod for hinge		91X648	91X648	Screw for Cat. H20A382
	11X339	11X339	Screw for hinge (10-30)		-	H20A281	Top plate for inner liner
21	-	-	DOOR, RIGHT-HAND		105136	105136	Screw fastening top plate or inner liner cover to inner liner (10-32)
22	-	-	DOOR, LEFT-HAND	200384	200384	200384	Nut for Cat. 105136
21	H7A415	H7A410	Outer door panel (right-hand door)	H20A380	H20A380	H20A380	Washer for Cat. 105136
22	H7A416	H7A411	Outer door panel (left-hand door)	H20A282	H20A282	H20A282	Bracket for ice tray lifter
	H11A232	H11A232	Tapping strip fastening hinge to outer door panel	91X648	91X648	91X648	Screw for Cat. H20A282 (No. 8)
	11X339	11X339	Screw fastening Cat. H11A232 to outer door panel (10-30)	78X719	78X719	78X719	Lamp receptacle
	H20A138	H20A138	Washer for Cat. 11X339	H20A406	H20A406	H20A406	Connector with insulation for leads
23	H13A184	H13A189	Door gasket	H19A29	H19A29	H19A29	Lamp guard
24	H10A204	H10A204	Door strip, latch side, with escutcheon for latch bolt	H20A49	H20A49	H20A49	Screw for Cat. H19A29 (No. 8)
25	H15A41	H15A41	Escutcheon for latch bolt	H20A265	H20A265	H20A265	Heater for mullion (32 Volts)
	H10A205	H10A205	Door strip, hinge side	H20A266	H20A266	H20A266	Heater for mullion (65 Volts)
26	H10A212	H10A206	Door strip, top or bottom	H20A267	H20A267	H20A267	Heater for mullion (115 Volts)
27	H20A381	H20A381	Screw for door strip (No. 8)	H20A268	H20A268	H20A268	Heater for mullion (230 Volts)
28	H9A33	H9A33	Door corner	H20A379	H20A379	H20A379	Spring clip for mullion heater
	H7A254	H7A261	Inner door panel, RH door	H17A372	H17A360	H17A360	Shelf, top, RH side
29	H7A181	H7A185	Inner door panel, LH door	H17A373	H17A361	H17A361	Shelf, top, LH side
30	H15A104	H15A104	Latch with gasket and nut	H17A374	H17A362	H17A362	Sliding shelf, first from top, RH side
31	H15A44	H15A44	Spring for latch	H17A375	H17A363	H17A363	Sliding shelf, first from top, LH side
32	H15A45	H15A45	Nut for latch and handle	H17A376	H17A364	H17A364	Sliding shelf, second from top, RH side
33	H13A148	H13A148	Gasket between latch and outer door panel	H17A377	H17A365	H17A365	Sliding shelf, second from top, LH side
	H20A381	H20A381	Screw fastening latch to door strip (No. 8)	H17A299	H17A299	H17A299	Stop for sliding shelf, RH side
34	NP80196	NP80196	Deluxe nameplate	H17A300	H17A300	H17A300	Stop for sliding shelf, LH side
	58X370	58X370	Fastener for NP80196	H17A378	H17A366	H17A366	Shelf, bottom, RH or LH side
	H20A385	H20A385	Washer for NP80196	H17A267	H17A267	H17A267	Shelf, center, first or second from top
	H20A6	H20A6	Screw for thermometer clip (4-48)	H17A268	H17A268	H17A268	Shelf, center, bottom
35	H15A86	H15A86	Latch handle with push plate and spring	4NR23	4NR23	4NR23	Cold storage tray with trim
36	H15A88	H15A88	Back plate for latch handle	H18A206	H18A206	H18A206	Trim for tray
37	H15A89	H15A89	Pin fastening latch handle to back plate	H31A45	H31A45	H31A45	Cover for tray
38	H15A91	H15A91	Escutcheon for latch handle	H31A46	H31A46	H31A46	Rack for tray
39	H13A243	H13A243	Gasket between back plate for latch handle and outer door panel	H30A167	H30A167	H30A167	VEGETABLE DRAWER WITH FRONT PANEL
	H20A528	H20A528	Washer between back plate for latch handle and outer door panel (7/16 in. O.D.)	H30A168	H30A168	H30A168	Pan only for vegetable drawer
	H20A529	H20A529	Washer between back plate for latch handle and outer door panel (3/4 in. O.D.)	H30A169	H30A169	H30A169	Front panel for vegetable drawer
	58X376	58X376	Screw fastening back plate for latch handle to outer door panel (No. 8)	H12X2	H12X2	H12X2	Screw fastening front panel to vegetable drawer (10-30)
				H20A398	H20A398	H20A398	Washer for Cat. H12X2 (7/16 in. O.D.)
				H20A399	H20A399	H20A399	Washer for Cat. H12X2 (9/16 in. O.D.)
				H30A128	H30A128	H30A128	Frame for cover for vegetable drawer
				H30A129	H30A129	H30A129	Cover for vegetable drawer
				H20A408	H20A408	H20A408	Support for vegetable drawer
				H20A384	H20A384	H20A384	Rubber foot for Cat. H20A408
				H5X20	H5X20	H5X20	Cabinet insulation (Kimsul)

Always Give Catalog Number



*NOTE*

The following Cabinets produced in 1942  
will be found in sections indicated.

B3B, BY4B	1940 Cabinet Section
LB4D	1941 Cabinet Section

\* \* \* \* \*

For D-C refrigerators, letter "F" is added to the Model No. (Example LBF6G)

For 50 cycle refrigerators, letter "A" is added to the Model No. (Example LBA6G)

For 25 cycle refrigerators, letter "C" is added to the Model No. (Example LBC6G)

The parts lists for these special refrigerators are the same as for the corresponding standard model (Example—LB6G) except in some cases the base or outer case may be different. Also the refrigerating machine is different from that shown for the standard refrigerator.

## LA6A

FOR REFRIGERATING MACHINE PARTS REFER TO CJ-2H UNIT

## Accessories

Quan.	Cat. No.	Description
1	A4R11	Chiller Tray
3	A5R40	Freezing Trays with Flexible Dividers
1	A21R229	Freezing Tray Lifter

## Cabinet Parts

Cat. No.	Description	Cat. No.	Description
H4A70	TOP COVER FOR CABINET	H7A465	Inner Door Panel
H20A616	Clip for Top Cover, Front	H15A112	Latch with Gasket and Nut
H20A590	Clip for Top Cover, Back	H15A113	Spring for Latch
91X648	Screw for Top Cover Clip, Front or Back (No.8)	H15A65	Nut for Latch and Handle
H20A372	Nut for Cat. 91X648, Front	H15A66	Gasket between Latch and Outer Door Panel
H2A187	OUTER CASE, R.H.	H20A558	Screw Fastening Latch to Door Strip (No.8)
H2A188	OUTER CASE, L.H.	H15A107	Latch Handle with Push Plate and Spring
H20A617	Clamp for Refrigerant Line, Outer Case Flange	H15A87	Back Plate for Latch Handle, RH Cabinet
91X648	Screw for Cat. H20A617 or Sealing Plate for Refrigerant Line	H15A88	Back Plate for Latch Handle, LH Cabinet
87X736	Screw Fastening Condenser to Outer Case (No.8)	H15A89	Pin Fastening Latch Handle to Back Plate
H20A618	Spacer for Cat. 87X736	H15A90	Escutcheon for Latch Handle, RH Cabinet
165736	Washer for Cat. 87X736	H15A91	Escutcheon for Latch Handle, LH Cabinet
H20A619	Rubber Washer for Cat. 87X736	H13A243	Gasket between Back Plate for Latch Handle and Outer Door Panel
H20A243	Rubber Spacer for Back of Condenser	58X397	Screw Fastening Back Plate for Latch Handle to Outer Door Panel (No.8)
H20A62	Screw for Cat. H20A243 (No.8)	H16A95	Hinge without Cover
80X132	Washer for Cat. H20A62	H16A73	Cover for Hinge
H27A189	BASE	128619	Screw Fastening Hinge to Door (10-32)
106775	Cap Screw Fastening Condenser to Base (5/16 in. -18)	167651	Screw Fastening Hinge to Cabinet (12-28)
177811	Nut for Cat. 106775	H14A22	Strike for Latch Bolt
H18A22	Washer for Cat. 106775 (7/8 in. O.D.)	H14A20	Strike Case
H18A18	Washer for Cat. 106775 (5/8 in. O.D.)	H20A558	Screw for Strike (No.8)
20X536	Cap Screw Fastening Outer Case to Base (1/4 in. -20)	58X310	Lockwasher for Cat. H20A558
1X452	Nut for Cat. 20X536	H10A94	Door Jamb Strip, Latch Side
160980	Washer for Cat. 20X536	H10A95	Door Jamb Strip, Top or Bottom
279364	Cap Screw Fastening Refrigerating Machine to Base (5/16 in. -18)	H10A116	Door Jamb Strip, Hinge Side
91X649	Washer for Cat. 279364	H20A558	Screw for Door Jamb Strip (No.8)
H7A462	LOWER DOOR PANEL	H20A516	Rubber Bumper for Evaporator Door
H20A620	Spring Clip for Lower Door Panel, RH Side	H9A28	Door Jamb Corner
H20A621	Spring Clip for Lower Door Panel, LH Side	H3A170	INNER LINER WITH SHELF SUPPORTS
91X648	Screw Fastening Spring Clip to Outer Case	H17A89	Shelf Support, Straight (1/2 in. long)
H20A622	Support for Lower Door Panel	H20A564	Screw for Shelf Support (1/4 in. -20)
58X375	Screw Fastening Support for Lower Door Panel to Outer Case	H20A568	Washer for Cat. H20A564
H20A240	Washer for Cat. 58X375	H20A560	Bracket for Ice Tray Lifter
H6A418	DOOR FOR RIGHT HAND CABINET	91X648	Screw for Cat. H20A560 (No.8)
H6A419	DOOR FOR LEFT HAND CABINET	58X386	Nut for Cat. 91X648
H7A463	Outer Door Panel (RH Cabinet)	80X132	Washer for Cat. 91X648
H7A464	Outer Door Panel (LH Cabinet)	H20A110	Rubber Plug for Inner Liner Cover
NP88554D	Nameplate (Letters "General Electric") and Fasteners	58X397	Screw Fastening Inner Liner Cover to Inner Liner, LH Side (No.8)
NP88554E	Nameplate (Monogram) and Fasteners	58X374	Screw Fastening Inner Liner Cover to Inner Liner, RH Side (No.10)
58X805	Fastener for Nameplate Letters or Monogram	58X385	Nut for Cat. 58X374
H13A147	Door Gasket	H17A396	Shelf, Top
H10A89	Door Strip, Hinge Side	H17A397	Shelf, Middle or Bottom
H10A91	Door Strip, Top or Bottom	H5X20	Cabinet Insulation (Kimsul, 18' roll)
H10A143	Door Strip, Latch Side, with Escutcheon for Latch Bolt		
H15A41	Escutcheon for Latch Bolt		
H20A558	Screw for Door Strip (No.8)		
H9A25	Door Corner		

Always Give Catalog Number

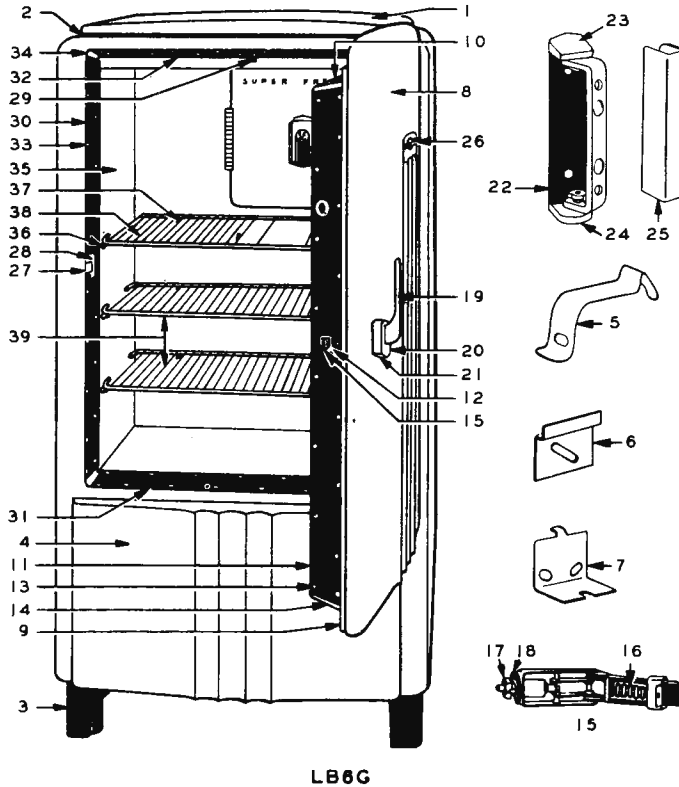
# LB6G

FOR REFRIGERATING MACHINE PARTS REFER TO CJ-2H MACHINE

## Accessories

Quan.	Cat. No.	Description
4	A5R40	Freezing tray with flexible dividers
1	A21R229	Tray lifter
1	A4R11	Chiller tray

## Cabinet Parts



LB6G

Ref. No.	Cat. No.	Description
4	H7A331	LOWER DOOR PANEL
5	H20A241	Spring clip for lower door panel
	58X375	Screw for Cat. H20A241 (No. 8)
	H1A200	Tapping strip for Cat. 58X375
	58X801	Washer for Cat. 58X375
	H20A459	Rubber button spacer for lower door panel
6	H20A181	Support for lower door panel
	58X397	Screw for Cat. H20A181 (No. 8)
	H20A240	Washer for Cat. 58X397
7	H20A239	Catch for spring clip Cat. H20A241
	91X648	Screw for Cat. H20A239 (No. 8)
8	-	DOOR FOR CABINET
8	H7A419	Outer door panel (RH cabinet)
	H7A420	Outer door panel (LH cabinet)
9	H1A147	Door gasket
	H10A89	Door strip, hinge side
	H10A91	Door strip, top or bottom
	H10A143	Door strip, latch side, with escutcheon for latch bolt
	H15A41	Escutcheon for latch bolt
	**H20A558	Screw for door strip (No. 8)
14	H9A25	Door corner
	H7A106	Inner door panel
15	H15A73	Latch with gasket and nut
16	H15A44	Spring for latch
17	H15A45	Nut for latch and handle
18	H1A148	Gasket between latch and outer door panel
	H20A117	Lockwasher for Cat. H15A45
	**H20A558	Screw fastening latch to door strip (No. 8)
19	H15A50	Latch handle without escutcheon
20	H15A31	Escutcheon for latch handle
21	H1A104	Gasket between latch handle and outer door panel
22	H16A71	Hinge without cover
23	H16A74	End Cap for hinge, top RH Cabinet or bottom LH Cabinet
24	H16A75	End Cap for hinge, bottom RH Cabinet or top LH Cabinet
25	H16A38	Cover for hinge
	H20A56	Gasket for Hinge
	H20A47	Screw fastening hinge to door (12-28)
	H20A386	Screw fastening hinge to cabinet (12-28)
26	NP59179A	Nameplate
26	NP59179B	Clip for Nameplate
27	H14A22	Strike for latch bolt
28	H14A20	Strike case
	**H20A558	Screw for strike (No. 8)
	58X310	Lockwasher for Cat. H20A558
29	1GA21H12	Door switch
	H1A241	Gasket for door switch
	H20A406	Connector with insulation for leads
30	H10A94	Door jamb strip, latch side
31	H10A95	Door jamb strip, bottom
32	H10A163	Door jamb strip, top
	H10A116	Door jamb strip, hinge side
33	**H20A558	Screw for door jamb strip (No. 8)
	H20A461	Rubber bumper for Evaporator Door
34	H9A26	Door jamb corner
35	H3A155	INNER LINER WITH SHELF SUPPORTS
	H17A89	Shelf support, straight (1/2 in. long)
	H17A122	Shelf support, straight (3/4 in. long)
	H12A2	Screw for shelf support (1/4 in.-20)
	H20A559	Bracket for lamp receptacle
	126915	Screw for Cat. H20A559 (No. 8)
	H18A38	Washer for Cat. 126915
	H20A110	Rubber plug for inner liner cover
	58X397	Screw fastening inner liner cover to inner liner, LH side (No. 8)
	58X374	Screw fastening inner liner cover to inner liner, RH side (No. 10)
	58X385	Nut for Cat. 58X374
	H20A560	Bracket for ice tray lifter
	91X648	Screw for Cat. H20A560 (No. 8)
	58X386	Nut for Cat. 91X648
	80X132	Washer for Cat. 91X648
	78X719	Lamp receptacle
38	**H17A385	Shelf, top
39	**H17A115	Shelf, middle or bottom
	H5X20	Cabinet insulation (Kimsul, 18' roll)

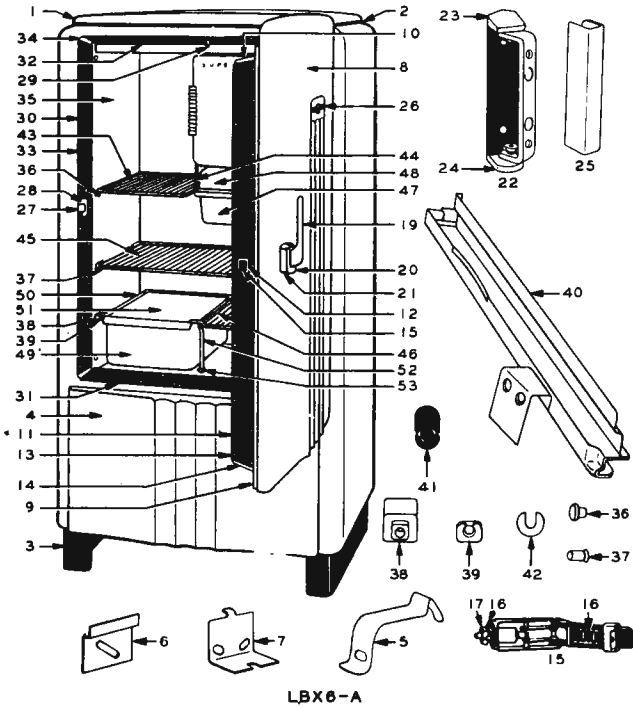
Ref. No.	Cat. No.	Description
1	H4A60	TOP COVER FOR CABINET
2	H1A240	Gasket for top cover
	H20A557	Clip for top cover, front
	H20A162	Clip for top cover, back
	H20A556	Screw for Cat. H20A557 (10-32)
	91X648	Screw for Cat. H20A162 or refrigerant line sealing plate (No. 8)
	58X374	Screw fastening condenser to outer case (No. 10)
	165736	Washer for Cat. 58X374
	150279	Washer between condenser bracket and condenser
	H20A243	Rubber spacer for back of condenser
	H20A62	Screw for rubber spacer (No. 8)
	80X132	Washer for Cat. H20A62
3	H27A155	BASE
	153608	Cap screw fastening condenser to base (5/16 in.-18)
	177811	Nut for Cat. 153608
	H18A22	Washer for Cat. 153608 (7/8 in. O.D.)
	H18A18	Washer for Cat. 153608 (5/8 in. O.D.)
	20X536	Cap screw fastening outer case to base (1/4 in.-20)
	160980	Washer for Cat. 20X536
	71X272	Carriage bolt fastening refrigerating machine to base (5/16 in.-18)
	177811	Nut for Cat. 71X272
	91X649	Washer for Cat. 71X272

\* Later Production Cabinets used Cat. H17A396 shelf, top, and Cat. H17A397 shelf, middle or bottom. These shelves can be identified by the "T" rail front.  
 \*\* Early Production Cabinets used Cat. H20A381 Screw which has a brighter finish and larger head than H20A558 screw used on later production.

Always Give Catalog Number

# LBX6A

FOR REFRIGERATING MACHINE PARTS REFER TO CJ-2H MACHINE



## Accessories

Quan.	Cat. No.	Description
4	A5R40	Freezing Trays with Flexible Dividers
1	A21R229	Freezing Tray Lifter

## Cabinet Parts

Ref. No.	Cat. No.	Description
1	H4A60	TOP COVER FOR CABINET
2	H13A240	Gasket for Top Cover
	H20A557	Clip for Top Cover, Front
	H20A162	Clip for Top Cover, Back
	H20A556	Screw for Cat. H20A557 (10-32)
	91X648	Screw for Cat. H20A162 or Refrigerant Line Sealing Plate (No. 8)
	58X374	Screw Fastening Condenser to Outer Case (No. 10)
	58X801	Washer for Cat. 58X374
	150279	Washer between Condenser Bracket and Condenser
	H20A243	Rubber Spacer for Back of Condenser
	H20A62	Screw for Rubber Spacer (No. 8)
	80X132	Washer for Cat. H20A62
3	H27A155	BASE
	153608	Cap Screw Fastening Condenser to Base (5/16 in.-18)
	177811	Nut for Cat. 153608
	H18A22	Washer for Cat. 153608 (7/8 in.-O.D.)
	H18A18	Washer for Cat. 153608 (5/8 in.- O.D.)
	20X536	Cap Screw Fastening Outer Case to Base (1/4 in.-20)
	160980	Washer for Cat. 20X536
	71X272	Carriage Bolt Fastening Refrigerating Machine to Base, Front (5/16 in.-18)
	177811	Nut for Cat. 71X272
	91X649	Washer for Cat. 71X272
4	H7A331	LOWER DOOR PANEL
5	H20A241	Spring Clip for Lower Door Panel
	58X375	Screw for Cat. H20A241 (No. 8)
	165736	Washer for Cat. 58X375
	H20A459	Rubber Button Spacer for Lower Door Panel
6	H20A181	Support for Lower Door Panel
	58X397	Screw for Cat. H20A181 (No. 8)
	H20A240	Washer for Cat. 58X397
7	H20A239	Catch for Spring Clip Cat. H20A241
	91X648	Screw for Cat. H20A239 (No. 8)
8	-	DOOR FOR CABINET
8	H7A419	Outer Door Panel (R.H. Cabinet)
	H7A420	Outer Door Panel (L.H. Cabinet)
9	H13A147	Door Gasket
	H10A89	Door Strip, Hinge Side
10	H10A91	Door Strip, Top or Bottom
11	H10A143	Door Strip, Latch Side, with Escutcheon for Latch Bolt
12	H15A41	Escutcheon for Latch Bolt
13	H20A558	Screw for Door Strip (No. 8)
14	H9A25	Door Corner
	H7A106	Inner Door Panel
	H15A73	Latch with Gasket and Nut
	H15A44	Spring for Latch
17	H15A45	Nut for Latch and Handle

Ref. No.	Cat. No.	Description
18	H13A148	Gasket between Latch and Outer Door Panel
	H20A117	Lockwasher for Cat. H15A45
	H20A558	Screw Fastening Latch to Door Strip (No. 8)
19	H15A50	Latch Handle without Escutcheon
20	H15A31	Escutcheon for Latch Handle
21	H31A104	Gasket between Latch Handle and Outer Door Panel
22	H16A71	Hinge without Cover
23	H16A74	End Cap for hinge, top RH Cabinet or Bottom LH Cab.
24	H16A75	End Cap for hinge, bottom RH Cabinet or top LH Cab.
25	H16A38	Cover for Hinge
	H20A56	Gasket for Hinge
	H20A47	Screw Fastening Hinge to Door (12-28)
	H20A386	Screw Fastening Hinge to Cabinet (12-28)
26	WP59179A	Nameplate
26	WP59179B	Clip for Nameplate
27	H14A22	Strike for Latch Bolt
28	H14A20	Strike Case
	H20A558	Screw for Strike (No. 8)
	58X310	Lockwasher for Cat. H20A558
29	1GA21H12	Door Switch
	H20A406	Connector with insulation for leads
30	H10A94	Door Jamb Strip, Latch Side
31	H10A95	Door Jamb Strip, Bottom
32	H10A163	Door Jamb Strip, Top
	H10A116	Door Jamb Strip, Hinge Side
33	H20A558	Screw for Door Jamb Strip (No. 8)
	H20A461	Rubber Bumper for Evaporator Door
34	H9A26	Door Jamb Corner
35	H3A158	INNER LINER WITH SHELF SUPPORTS
36	H17A194	Shelf Support, Headed
	H20A600	Washer Under Cat. H17A194 Front
	H17A195	Shelf Support, Straight
	H20A564	Screw for Shelf Support (1/4 in.-20)
	H20A568	Washer for Cat. H20A564
38	H20A571	Support for Vegetable Drawer
39	H20A572	Clip for Cat. H20A571
	H20A573	Screw Fastening Cat. H20A571 and H20A572 to Inner Liner (10-32)
	H20A574	Fiber Washer for Cat. H20A573
	H20A575	Washer for Cat. H20A573
40	H17A392	Slide for Cold Storage Tray
	H20A576	Screw for Cold Storage Tray Slide (10-32)
	H20A577	Washer for Cat. H20A576
	H20A578	Spacer for Cold Storage Tray Slide
41	H20A467	Shim for Cat. H20A578
42	H11A242	Tapping Strip for Cat. H20A573, back
	H20A479	Screw Fastening Cat. H11A242 to Inner Liner (10-32)
	179789	Washer for Cat. H20A479
	H20A565	Brace for Inner Liner, Right-Hand Side
	H20A566	Brace for Inner Liner, Left-Hand Side
	H20A479	Screw Fastening Brace to Inner Liner (10-32)
	H20A380	Washer for Cat. H20A479
	H20A559	Bracket for Lamp Receptacle
	126915	Screw for Cat. H20A559 (No. 8)
	H18A38	Washer for Cat. 126915
	H20A110	Rubber Plug for Inner Liner Cover
	58X397	Screw Fastening Inner Liner Cover to Inner Liner, L.H. Side (No. 8)
	58X374	Screw Fastening Inner Liner Cover to Inner Liner, R.H. Side (No.10)
	58X385	Nut for Cat. 58X374
	78X719	Lamp Receptacle
43	H17A394	Shelf, Top
44	H17A388	Hanger for Top Shelf
	H17A389	Adjusting Plate for Top Shelf Hanger
	H20A583	Screw Fastening Cat. H17A389 to Evaporator (6-32)
	58X398	Rubber Washer for Cat. H20A583
	58X399	Steel Washer for Cat. H20A583
	58X379	Shakeproof Washer for Cat. H20A583
	58X382	Nut for Cat. H20A583
	H17A115	Shelf, Middle
	H17A395	Shelf, Bottom, Half
	A4R30	Cold Storage Tray
	A4R31	Cover for Cold Storage Tray
	H20A585	Rack for Cold Storage Tray
	H30A188	Vegetable Drawer
	H30A189	Frame for Cover for Vegetable Drawer
	H30A190	Cover for Vegetable Drawer
	H20A567	Support for Vegetable Drawer
	H20A384	Rubber Foot for Cat. H20A567
	H5X20	Cabinet insulation (Kimaul 18' Roll)

Always Give Catalog Number



**LBS-6B, LBSF-6B**

FOR REFRIGERATING MACHINE PARTS REFER TO CF-2R AND CM-33N UNITS RESPECTIVELY

NOTE: This is a special refrigerator for the United States Navy built in limited quantities only.

**Accessories**

Quan.	Cat. No.	Description
1	A4R11	Chiller Tray
3	A5R23	Freezing Trays with Flexible Dividers
1	A21R229	Freezing Tray Lifter

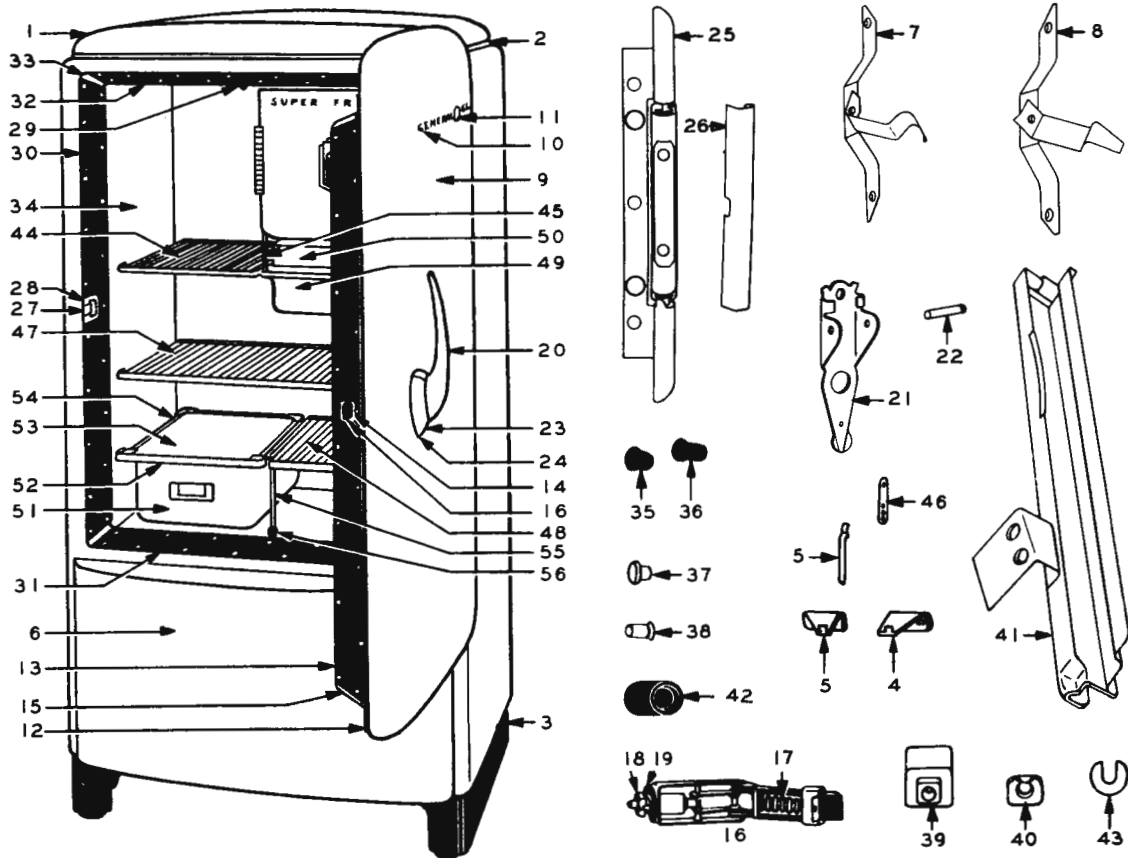
**Cabinet Parts**

Cat. No.	Description	Cat. No.	Description
HNA60	TOP COVER FOR CABINET	H10A143	Door Strip, Latch Side, with Escutcheon for Latch Bolt
H13A240	Gasket for Top Cover	H15A41	Escutcheon for Latch Bolt
H20A557	Clip for Top Cover, Front	H20A558	Screw for Door Strip (No. 8)
H20A162	Clip for Top Cover, Back	H9A25	Door Corner
H20A556	Screw for Cat. H20A557 (10-32)	H7A106	Inner Door Panel
91X648	Screw for Cat. H20A162 or Refrigerant Line Sealing Plate (No. 8)	H15A73	Latch with Gasket and Nut
H2A184	OUTER CASE (LBS-6B)	H15A44	Spring for Latch
H2A183	OUTER CASE (LBSF-6B)	H15A45	Nut for Latch and Handle
58X374	Screw Fastening Condenser to Outer Case (No.10)(LBS-6B)	H13A148	Gasket between Latch and Outer Door Panel
150279	Washer between Condenser Bracket and Condenser (LBS-6B)	H20A558	Screw Fastening Latch to Door Strip (No. 8)
H20A243	Rubber Spacer for Back of Condenser (LBS-6B)	H20A609	Lock Plate for Door
H20A62	Screw for Rubber Spacer (No. 8) (LBS-6B)	H20A507	Screw Fastening Lock Plate to Door
80X132	Washer for Cat. H20A62 (LBS-6B)	H15A62	Latch Handle without Escutcheon
H27A186	BASE (LBS-6B)	H15A85	Escutcheon for Latch Handle
H27A187	BASE (LBSF-6B)	H13A149	Gasket between Latch Handle and Outer Door Panel
H20A305	Support for Refrigerating Machine	H16A71	Bottom Hinge without Cover
261646	Screw Fastening Support to Base (5/16 in.-18)	H16A38	Cover for Bottom Hinge
126869	Nut for Cat. 261646	H16A97	Top Hinge
H18A18	Washer for Cat. 261646	H16A98	Top Hinge without Cover
150167	Screw Fastening Refrigerating Machine to Support (10-32)	H16A99	Cover for Top Hinge
145996	Nut for Cat. 150167	H16A100	Bracket for Hinge
165736	Washer for Cat. 150167	H20A531	Screw Fastening Bracket to Hinge or to Hinge Cover
153608	Cap Screw Fastening Condenser to Base (5/16 in.-18) (LBS-6B)	H20A56	Gasket between Hinge and Cabinet
177811	Nut for Cat. 153608 (LBS-6B)	H20A47	Screw Fastening Hinge to Door (12-28)
H18A22	Washer for Cat. 153608 (7/8 in.O.D.)(LBS-6B)	H20A386	Screw Fastening Hinge to Cabinet (12-28)
H18A18	Washer for Cat. 153608 (5/8 in.O.D.)(LBS-6B)	NP59179A	Nameplate
20X536	Cap Screw Fastening Outer Case to Base (1/4 in.-20)	NP59179B	Clip for Nameplate
160980	Washer for Cat. 20X536	H14A22	Strike for Latch Bolt
71X272	Carriage Bolt Fastening Refrigerating Machine to Base (5/16 in.-18)(LBS-6B)	H14A20	Strike Case
177811	Nut for Cat. 71X272 (LBS-6B)	H20A558	Screw for Strike (No. 8)
91X649	Washer for Cat. 71X272 (LBS-6B)	58X310	Lockwasher for Cat. H20A558
H7A456	LOWER DOOR PANEL	H10A94	Door Jamb Strip, Latch Side
H20A241	Spring Clip for Lower Door Panel	H10A95	Door Jamb Strip, Top or Bottom
58X375	Screw for Cat. H20A241 (No. 8)	H10A116	Door Jamb Strip, Hinge Side
165736	Washer for Cat. 58X375	H20A558	Screw for Door Jamb Strip (No. 8)
H20A459	Rubber Button Spacer for Lower Door Panel	H20A461	Rubber Bumper for Evaporator Door
H20A607	Lock Plate for Lower Door	H9A26	Door Jamb Corner
H20A507	Screw Fastening Lock Plate to Lower Door (8-32)	H3A167	INNER LINER WITH SHELF SUPPORTS
H20A181	Support for Lower Door, RH Side	H17A122	Shelf Support, Straight (3/4 in. long)
H20A608	Support for Lower Door, LH Side	H12A2	Screw for Shelf Support (1/4 in.-20)
H20A558	Screw Fastening Support for Lower Door to Cabinet (No. 8)	H20A110	Rubber Plug for Inner Liner Cover
H20A240	Washer for Cat. H20A558	58X397	Screw Fastening Inner Liner Cover to Inner Liner, LH Side (No. 8)
H20A239	Catch for Spring Clip Cat. H20A241	H20A558	Screw Fastening Inner Liner Cover to Inner Liner, RH Side (No. 8)
91X648	Screw for Cat. H20A239 (No. 8)	58X385	Nut for Cat. H20A558
H6A414	DOOR	H20A560	Bracket for Ice Tray Lifter
H7A457	Outer Door Panel	91X648	Screw for Cat. H20A560 (No. 8)
H13A147	Door Gasket	80X132	Washer for Cat. 91X648
H10A89	Door Strip, Hinge Side	H17A414	Shelf, Top
H10A91	Door Strip, Top or Bottom	H17A415	Shelf, Middle or Bottom
		H17A296	Spring Clip for Shelf
		H5X20	Cabinet Insulation (Kimsul)

Always Give Catalog Number

# LB7-42A, LBX7-42A

FOR REFRIGERATING MACHINE PARTS REFER TO CF-2M MACHINE



## LBX7-42

### Accessories

Quan.	Catalog Number		Description
	LB7-42A	LBX7-42A	
4	A5R40	A5R40	Freezing tray with flexible dividers
1	A21R229	A21R229	Freezing tray lifter
1	A4R11	-	Chiller tray

### Cabinet Parts

Ref. No.	Catalog Number		Description
	LB7-42A	LBX7-42A	
1	H4A63	H4A63	TOP COVER FOR CABINET
2	H13A261	H13A261	Gasket for top cover
	H20A561	H20A561	Clip for top cover, front
	H20A162	H20A162	Clip for top cover, back
	H20A556	H20A556	Screw for Cat. H20A561 (10-32)
	91X648	91X648	Screw for Cat. H20A162 or refrigerant line sealing plate (No. 8)
	58X374	58X374	Screw fastening condenser to outer case (No. 10)
58X801	58X801	Washer for Cat. 58X374	
150279	150279	Washer between condenser bracket and condenser	
H20A243	H20A243	Rubber spacer for back of condenser	
H20A62	H20A62	Screw for rubber spacer (No. 8)	
80X132	80X132	Washer for Cat. H20A62	
3	H27A184	H27A184	BASE
	106775	106775	Cap screw fastening condenser to base (5/16 in.-18)
	177811	177811	Nut for Cat. 106775
H18A22	H18A22	Washer for Cat. 106775 (7/8 in.O.D.)	
H18A18	H18A18	Washer for Cat. 106775 (5/8 in.O.D.)	
20X536	20X536	Cap screw fastening outer case to base (1/4 in.-20)	
160980	160980	Washer for Cat. 20X536	
H20A502	H20A502	Reinforcing plate for Cat. 20X536	
71X272	71X272	Carriage bolt fastening refrigerating machine to base (5/16 in.-18)	
177811	177811	Nut for Cat. 71X272	

Ref. No.	Catalog Number		Description
	LB7-42A	LBX7-42A	
4	91X649	91X649	Washer for Cat. 71X272
	A2R16	A2R16	Adjustable glider for front of base
5	141255	141255	Nut for adjustable glider
	H20A562	H20A562	Support for lower door, RH side
6	H20A563	H20A563	Support for lower door, LH side
	105136	105136	Screw fastening support for lower door to base
7	58X310	58X310	Washer for Cat. 105136
	58X801	58X801	Washer between support for lower door and base
8	H11A242	H11A242	Tapping strip fastening support for lower door to base
	H7A454	H7A454	LOWER DOOR PANEL
9	H20A603	H20A603	Spring catch for lower door, RH side
	H20A604	H20A604	Spring catch for lower door, LH side
10	H20A558	H20A558	Screw fastening spring catch to lower door (No. 8)
	179789	179789	Washer for Cat. H20A558
11	H31A122	H31A122	Rubber bumper for lower door
	-	-	DOOR FOR CABINET
12	H7A424	H7A424	Outer door panel (RH cabinet)
	H7A425	H7A425	Outer door panel (LH cabinet)
13	NP88554D	NP88554D	Nameplate (letters, General Electric) and holding strips
	NP88554E	NP88554E	Nameplate (monogram) and prestole nuts
14	58X805	58X805	Prestole nut for Monogram (can also be used for letters in nameplate)
	H13A263	H13A263	Door gasket
15	H10A241	H10A241	Door strip, hinge side

Always Give Catalog Number

**LB7-42A, LBX7-42A (Cont.)**

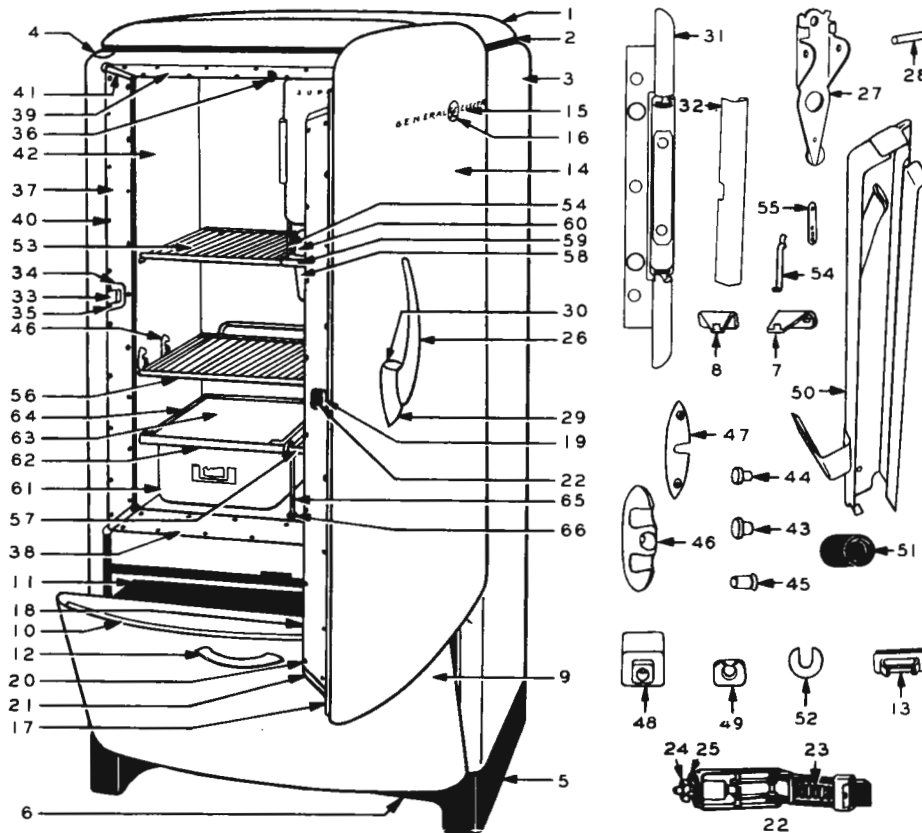
Ref. No.	Catalog Number		Description
	LB7-42A	LBX7-42A	
13	H10A242	H10A242	Door strip, latch side, with escutcheon for latch bolt
14	H15A41	H15A41	Escutcheon for latch bolt
	H10A243	H10A243	Door strip, top
	H10A244	H10A244	Door strip, bottom
	H20A558	H20A558	Screw for door strip (No. 8)
15	H9A38	H9A38	Door corner
	H7A426	H7A426	Inner door panel
16	H15A102	H15A102	Latch with gasket and nut
17	H15A64	H15A64	Spring for latch
18	H15A65	H15A65	Nut for latch and handle
19	H15A66	H15A66	Gasket between latch and outer door panel
20	H20A558	H20A558	Screw fastening latch to door strip (No. 8)
	H15A107	H15A107	Latch handle with push plate and spring
21	H15A87	H15A87	Back plate for latch handle, RH cabinet
22	H15A88	H15A88	Back plate for latch handle, LH cabinet
	H15A89	H15A89	Pin fastening latch handle to back plate
23	H15A90	H15A90	Escutcheon for latch handle, RH cabinet
	H15A91	H15A91	Escutcheon for latch handle, LH cabinet
24	H13A243	H13A243	Gasket between back plate for latch handle and outer door panel
	58X397	58X397	Screw fastening back plate for latch handle to outer door panel (No. 8)
25	H16A95	H16A95	Hinge without cover
26	H16A73	H16A73	Cover for hinge
	128619	128619	Screw fastening hinge to door (10-32)
27	58X381	58X381	Screw fastening hinge to cabinet (12-28)
	H14A22	H14A22	Strike for latch bolt
28	H14A20	H14A20	Strike case
	H20A558	H20A558	Screw for strike (No. 8)
29	58X310	58X310	Lockwasher for Cat. H20A558
	1GA21H18	1GA21H18	Door switch
30	H20A406	H20A406	Connector with insulation for leads
	H10A245	H10A245	Door jamb strip, hinge side
31	H10A246	H10A246	Door jamb strip, latch side
	H10A247	H10A247	Door jamb strip, bottom
32	H10A248	H10A248	Door jamb strip, top
	H20A558	H20A558	Screw for door jamb strip (No. 8)
33	H9A39	H9A39	Door jamb corner
	H20A516	H20A516	Rubber bumper for Evaporator door
34	H3A166	H3A166	INNER LINER WITH SHELF SUPPORTS
	H17A89	-	Shelf support, straight (1/2 in. long)
35	H17A122	-	Shelf support, straight (3/4 in. long)
	-	H17A194	Shelf support, headed
36	-	H20A500	Washer under Cat. H17A194, front
	-	H17A195	Shelf support, straight
37	H20A564	H20A564	Screw for shelf supports, straight or headed (1/4 in.-20)
	H20A568	H20A568	Washer for Cat. H20A564
38	-	H20A571	Support for vegetable drawer
	-	H20A572	Clip for Cat. H20A571
39	-	H20A573	Screw fastening Cat. H20A571 and H20A572 to inner liner (10-32)
	-	-	-

Ref. No.	Catalog Number		Description
	LB7-42A	LBX7-42A	
41	-	H20A574	Fiber washer for Cat. H20A573
	-	H20A575	Washer for Cat. H20A573
42	-	H17A392	Slide for cold storage tray
	-	H20A576	Screw for cold storage tray slide (10-32)
43	-	H20A577	Washer for Cat. H20A576
	-	H20A578	Spacer for cold storage tray slide
44	-	H20A467	Shim for Cat. H20A578
	-	H11A244	Tapping strip for Cat. H20A576
45	-	H20A479	Screw fastening Cat. H11A244 to inner liner (10-32)
	-	179789	Washer for Cat. H20A479
46	H20A559	H20A559	Bracket for lamp receptacle
	126915	126915	Screw for Cat. H20A559 (No. 8)
47	H18A38	H18A38	Washer for Cat. 126915
	H20A605	-	Plug button for inner liner
48	H20A110	H20A110	Rubber plug for inner liner cover
	H20A470	H20A470	Metal plug for inner liner cover
49	58X397	58X397	Screw fastening inner liner cover to inner liner, LH side (No. 8)
	58X374	58X374	Screw fastening inner liner cover to inner liner, RH side (No. 10)
50	58X385	58X385	Nut for Cat. 58X374
	H13A249	H13A249	Gasket between inner liner cover and inner liner
51	78X993	78X993	Lamp receptacle
	H17A413	H17A393	Shelf, top
52	-	H17A388	Hanger for top shelf
	-	H17A389	Adjusting plate for top shelf hanger
53	-	H20A583	Screw fastening Cat. H17A389 to evaporator (6-32)
	-	58X382	Nut for Cat. H20A583
54	-	58X379	Lockwasher for Cat. H20A583
	-	58X398	Rubber washer for Cat. H20A583
55	-	58X399	Stainless steel washer for Cat. H20A583
	-	179789	Fiber washer between Cat. 58X398 and supporting bracket
56	H17A412	H17A412	Shelf, middle
	H17A412	H17A391	Shelf, bottom
57	-	A4R30	Cold storage tray
	-	A4R31	Cover for cold storage tray
58	-	H20A585	Rack for cold storage tray
	-	H30A181	VEGETABLE DRAWER WITH HANDLE
59	-	H30A182	Vegetable drawer only
	-	H30A183	Handle for vegetable drawer
60	-	58X800	Screw fastening handle to vegetable drawer (No. 6)
	-	H18A28	Washer for Cat. 58X800
61	-	H30A184	Cover for vegetable drawer
	-	H30A185	Frame for cover for vegetable drawer
62	-	H20A584	Support for vegetable drawer
	-	H20A401	Rubber foot for Cat. H20A584
63	H5X20	H5X20	Cabinet insulation (Kimsul)

Always Give Catalog Number

# JB7C, JB7-42A, PJB7A, PJB7-42A

FOR REFRIGERATING MACHINE PARTS REFER TO CF-2M MACHINE



PJB7-42

### Accessories

Quan.	Cat. No.	Description
4	A5R40	Freezing tray with flexible dividers
1	A21R229	Freezing tray lifter

### Cabinet Parts

Ref. No.	Catalog Number		Description
	JB7-42A JB7C	PJB7A PJB7-42A	
1	H4A63	H4A64	TOP COVER FOR CABINET
2	H13A247	H13A261	Gasket for top cover
	H20A561	H20A557	Clip for top cover, front
-	H20A162	H20A162	Clip for top cover, back
	-	H13A165	Gasket for Cat. H20A162
-	H20A556	H20A556	Screw for Cat. H20A561 or Cat. H20A557(10-32)
	91X648	91X648	Screw for Cat. H20A162 or refrigerant line sealing plate (No. 8)
-	H20A485	H20A485	Washer for refrigerant line sealing plate
	-	H2A171	OUTER CASE, RH CABINET
3	-	H2A172	OUTER CASE, LH CABINET
	-	H18A187	Trim for upper RH corner of outer case, front
4	-	H18A188	Trim for upper LH corner of outer case, front
	-	H20A486	Rubber spacer for Cat. H18A187 or H18A188
-	H20A168	H20A168	Washer for Cat. H18A187 or H18A188
	-	58X326	Nut fastening Cat. H18A187 or H18A188 to outer case
58X374	58X374	Screw fastening condenser to outer case (No. 10)	
58X801	58X801	Washer for Cat. 58X374	
150279	150279	Washer between condenser bracket and Condenser	
-	H20A243	H20A243	Rubber spacer for back of condenser
	H20A62	H20A62	Screw for rubber spacer (No. 8)
-	80X132	80X132	Washer for Cat. H20A62
	H27A157	H27A157	BASE

Ref. No.	Catalog Number		Description
	JB7-42A JB7C	PJB7A PJB7-42A	
106775	106775	106775	Cap screw fastening condenser to base (5/16 in.-18)
177811	177811	177811	Nut for Cat. 106775
H18A22	H18A22	H18A22	Washer for Cat. 106775 (7/8 in. O.D.)
H18A18	H18A18	H18A18	Washer for Cat. 106775 (5/8 in. O.D.)
-	-	H13A252	Pad between base and cabinet
20X536	20X536	20X536	Cap screw fastening outer case to base (1/4 in.-20)
160980	160980	160980	Washer for Cat. 20X536
H20A502	H20A502	H20A502	Reinforcing plate for Cat. 20X536
-	-	H20A255	Fiber washer for Cat. 20X536
71X272	71X272	71X272	Carriage bolt fastening refrigerating machine to base (5/16 in.-18)
177811	177811	177811	Nut for Cat. 71X272
91X649	91X649	91X649	Washer for Cat. 71X272
A2R16	A2R16	A2R16	Adjustable glider for front of base
141255	141255	141255	Nut for adjustable glider
6	H27A158	H27A158	Skirt for base
65X229	65X229	65X229	Screw fastening skirt to base (1/4 in.-20)
H17A89	H17A89	H17A89	Nut for Cat. 65X229
7	H20A562	H20A562	Support for lower door, RH side
8	H20A563	H20A563	Support for lower door, LH side
105136	105136	105136	Screw fastening Cat. H20A562 or H20A563 to base (10-32)
58X310	58X310	58X310	Washer for Cat. 105136
58X801	58X801	58X801	Washer between support for lower door and base

Always Give Catalog Number

# JB7C, JB7-42A, PJB7A, PJB7-42A (Cont.)

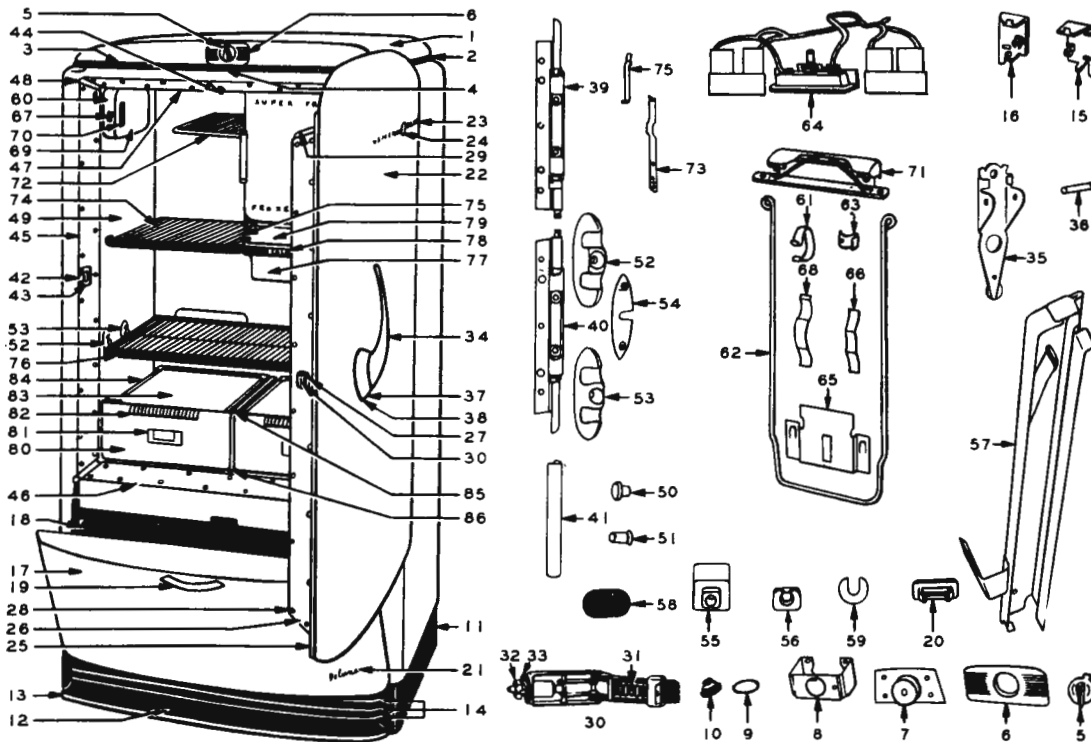
Ref. No.	Catalog Number		Description	Ref. No.	Catalog Number		Description
	JB7-42A JB7C	PJB7A PJB7-42A			JB7-42A JB7C	PJB7A PJB7-42A	
9	H7A423	H7A430	LOWER DOOR PANEL		H20A600	H20A600	Washer Under Cat. H17A194, Front
10	-	H18A212	Trim with retainers for lower door panel	44	H17A335	-	Headed Support for Butter Conditioner (Except JB7-42A)
	-	H20A488	Retainer for trim				
	-	58X804	Nut for Cat. H20A488	45	H17A195	H17A195	Shelf support, straight
11	H31A120	H31A120	Storage bin		H20A564	H20A564	Screw for shelf support, straight or headed (1/4 in.-20)
	58X287	58X287	Screw fastening storage bin to lower door panel (No. 8)				
	H20A485	H20A485	Washer for Cat. 58X287	46	H20A568	H20A568	Washer for Cat. H20A564
12	H31A124	H31A124	Handle for lower door panel	47	H17A197	H17A197	Support for sliding shelf
	H20A487	H20A487	Washer between handle and lower door panel	48	H20A389	H20A389	Shim for Cat. H17A197
	126915	126915	Screw fastening handle to lower door (No. 8)	49	H20A571	H20A571	Support for vegetable drawer
	179789	179789	Washer for Cat. 126915		H20A572	H20A572	Clip for Cat. H20A571
	H31A123	H31A123	Rubber stop for storage bin		H20A573	H20A573	Screw fastening Cat. H20A571 and H20A572 to inner liner (10-32)
	H31A121	H31A121	Grommet for storage bin panel				
	H31A122	H31A122	Rubber bumper for storage bin		H20A574	H20A574	Fiber washer for Cat. H20A573
	H31A125	H31A125	Rubber channel for storage bin	50	H20A575	H20A575	Washer for Cat. H20A573
14	-	-	DOOR FOR CABINET		H17A386	H17A386	Slide for cold storage tray
14	H7A424	H7A431	Outer door panel (RH cabinet)		H20A576	H20A576	Screw for cold storage tray slide (10-32)
	H7A425	H7A432	Outer door panel (LH cabinet)	51	H20A577	H20A577	Washer for Cat. H20A576
15	NP88554D	NP88554D	Nameplate (letters General Electric) and holding strips	52	H20A578	H20A578	Spacer for cold storage tray slide
			Nameplate (Monogram) and prestole nuts		H20A467	H20A467	Shim for Cat. H20A578
			Prestole Nut for Monogram (can also be used for individual letters in nameplate)		H11A244	H11A244	Tapping strip for Cat. H20A576
16	NP88554E	NP88554E			H20A479	H20A479	Screw fastening Cat. H11A244 to inner liner (10-32)
	58X805	58X805					
17	H13A248	H13A248	Door gasket		179789	179789	Washer for Cat. H20A479
	H10A215	H10A215	Door strip, hinge side		H20A580	H20A580	Brace for inner liner, RH side
18	H10A216	H10A216	Door strip, latch side, with escutcheon for latch bolt		H20A581	H20A581	Brace for inner liner, LH side
			Escutcheon for latch bolt		H20A587	H20A587	Tie Band for Inner Liner Brace
19	H15A41	H15A41	Door strip, top		H20A582	H20A582	Screw fastening Cat. H17A197 and brace to inner liner (10-32)
	H10A217	H10A217	Door strip, bottom				
	H10A218	H10A218	Screw for door strip (No. 8)		58X364	58X364	Washer for Cat. H20A582
20	H20A558	H20A558	Door corner		H20A559	H20A559	Bracket for lamp receptacle
21	H9A46	H9A46	Inner door panel		126915	126915	Screw for Cat. H20A559 (No. 8)
	H7A426	H7A426	Latch with gasket and nut		H18A38	H18A38	Washer for Cat. 126915
22	H15A102	H15A102	Spring for latch		78X994	-	Receptacle for Butter Conditioner (Except JB7-42A)
23	H15A64	H15A64	Nut for latch and handle				
24	H15A65	H15A65	Gasket between latch and outer door panel		H20A110	H20A110	Rubber plug for inner liner cover
25	H15A66	H15A66	Screw fastening latch to door strip (No. 8)		H20A470	H20A470	Metal plug for inner liner cover
	H20A558	H20A558	Latch handle with push plate and spring		58X397	58X397	Screw fastening inner liner cover to inner liner, LH side (No. 8)
26	H15A86	H15A86	Back plate for latch handle, RH cabinet		58X374	58X374	Screw fastening inner liner cover to inner liner, RH side (No.10)
27	H15A87	H15A87	Back plate for latch handle, LH cabinet		58X385	58X385	Nut for Cat. 58X374
	H15A88	H15A88	Pin fastening latch handle to back plate		H13A249	H13A249	Gasket between inner liner cover and inner liner
28	H15A89	H15A89	Escutcheon for latch handle, RH cabinet				
29	H15A90	H15A90	Escutcheon for latch handle, LH cabinet		78X993	78X993	Lamp receptacle
	H15A91	H15A91	Gasket between back plate for latch handle and outer door panel	53	H17A387	H17A387	Shelf, top
30	H13A243	H13A243	Screw fastening back plate for latch handle to outer door panel (No. 8)	54	H17A388	H17A388	Hanger for top shelf
	58X897	58X397		55	H17A389	H17A389	Adjusting plate for top shelf hanger
31	H16A95	H16A95	Hinge without cover		H20A583	H20A583	Screw fastening Cat. H17A389 to evaporator (6-32)
32	H16A73	H16A73	Cover for hinge		58X398	58X398	Rubber washer for Cat. H20A583
	-	H13A197	Gasket between hinge and door		58X399	58X399	Steel washer for Cat. H20A583
	-	H13A196	Gasket between hinge and cabinet		58X379	58X379	Shakeproof washer for Cat. H20A583
	128619	128619	Screw fastening hinge to door (10-32)	56	58X382	58X382	Nut for Cat. H20A583
	58X381	58X381	Screw fastening hinge to cabinet (12-28)	57	H17A390	H17A390	Sliding shelf with stops
33	H14A22	H14A22	Strike for latch bolt	58	H17A391	H17A391	Shelf, bottom, half
34	H14A20	H14A20	Strike case	59	A4R26	A4R26	Cold storage tray with trim
35	H20A558	H20A558	Screw for strike (No. 8)		H18A210	H18A210	Trim for cold storage tray
	58X310	58X310	Lockwasher for Cat. H20A558		H20A472	H20A472	Trim plug
36	16A21H18	16A21H18	Door switch	60	A4R27	A4R27	Cover for cold storage tray
	H20A406	H20A406	Connector with insulation for leads		H20A585	H20A585	Rack for cold storage tray
	H10A219	H10A219	Door jamb strip, hinge side	61	H30A181	H30A181	VEGETABLE DRAWER WITH HANDLE
37	H10A220	H10A220	Door jamb strip, latch side	61	H30A182	H30A182	Vegetable drawer only
38	H10A221	H10A221	Door jamb strip, bottom	62	H30A183	H30A183	Handle for vegetable drawer
39	H10A222	H10A222	Door jamb strip, top		58X800	58X800	Screw fastening handle to vegetable drawer (No. 6)
40	H20A558	H20A558	Screw for door jamb strip (No. 8)				
	H20A516	H20A516	Rubber bumper for evaporator door	63	H18A28	H18A28	Washer for Cat. 58X800
41	H9A47	H9A49	Inner Liner with Shelf Supports (EXCEPT JB7-42A)	64	H30A184	H30A184	Cover for vegetable drawer
42	H3A156	H3A159	Inner Liner with Shelf Supports (JB7-42A)	65	H30A185	H30A185	Frame for cover for vegetable drawer
42	H3A159	-		66	H20A584	H20A584	Support for vegetable drawer
43	H17A194	H17A194	Shelf supports, headed		H20A401	H20A401	Rubber foot for Cat. H20A584
					H5X20	H5X20	Cabinet insulation (Klmsul, 18' Roll)

\* Early Production Cabinets used Cat. No. H16A72 hinge. This hinge has brass end caps, chrome plated while H16A95 has steel end caps painted. The hinges are interchangeable except for appearance.

Always Give Catalog Number

# B7A, B7-42A

FOR REFRIGERATING MACHINE PARTS REFER TO CF-22G MACHINE



B7-42A

### Accessories

Quan.	Cat. No.	Description
4	ASR40	Freezing trays with flexible dividers
1	A21R229	Freezing tray lifter
1	ASR42	Dessert tray
1	ASR43	Cover for dessert tray
1	A21R286	Thermometer, case, and hanger

\*Not furnished with cabinet.

Quan.	Cat. No.	Description
1	A21R287	Thermometer only
1	A21R170	Hanger for thermometer
2	91X713	Screw fastening hanger to case (No. 2)
1	A21R264	Air filter
1	*A20R11	Package of activated carbon for air filter

### Cabinet Parts

Ref. No.	Cat. No.	Description
1	H4A69	TOP COVER FOR CABINET
2	H18A219	Trim for top cover, RH side
3	H18A220	Trim for top cover, LH side
4	H18A215	Slide for trim for top cover
	H13A261	Gasket for top cover
	H20A561	Clip for top cover, front
	H20A590	Clip for top cover, back
	H20A556	Screw for Cat. H20A561 (10-32)
	91X648	Screw for Cat. H20A590 or refrigerant line sealing plate (No. 8)
5	H32A20	Temperature control knob, outer
6	NP90170A	Escutcheon for temperature control knob
7	NP90170B	Holder for NP90170A
8	H32A21	Control mounting bracket
	H20A6	Screw fastening NP90170B and H32A21 to top cover (4-48)
9	H32A23	Rubber gasket for NP90170B
10	H32A22	Rubber bushing for Cat. H32A21
	126915	Screw fastening control to mounting bracket (8-32)
	58X374	Screw fastening condenser to outer case (No. 10)
	58X801	Washer for Cat. 58X374
	150279	Washer between condenser bracket and condenser
	H20A243	Rubber spacer for back of condenser
	H20A62	Screw for rubber spacer (No. 8)
	80X132	Washer for Cat. H20A62
11	H27A173	BASE
	106775	Cap screw fastening condenser to base (5/16 in.-18)
	177811	Nut for Cat. 106775

Ref. No.	Cat. No.	Description
	H18A22	Washer for Cat. 106775 (7/8 in. O.D.)
	H18A18	Washer for Cat. 106775 (5/8 in. O.D.)
	20X536	Cap screw fastening outer case to base (1/4 in.-20)
	160980	Washer for Cat. 20X536
	H20A502	Reinforcing plate for Cat. 20X536
	71X272	Carriage bolt fastening refrigerating machine to base (5/16 in.-18)
	177811	Nut for Cat. 71X272
	91X649	Washer for Cat. 71X272
	A2R16	Adjustable glider for front of base
	141255	Nut for adjustable glider
12	H27A175	Grille for base
13	H27A176	Lower blade with trim
14	H27A177	Upper blade with trim
	H27A178	Spacer for grille
	H27A165	Bolt fastening blades and spacers of grille (10-32)
	145996	Nut for Cat. H27A165
15	H20A591	Support for lower door, RH side
16	H20A592	Support for lower door, LH side
	105136	Screw fastening support for lower door to base
	58X310	Washer for Cat. 105136
	58X801	Washer between support for lower door and base
	H11A245	Tapping strip fastening support for lower door to base
17	H7A448	LOWER DOOR PANEL
	H31A120	Storage bin
18	58X287	Screw fastening storage bin to lower door panel (No. 8)
	H20A485	Washer for Cat. 58X287

Always Give Catalog Number

## B7A, B7-42A (Cont.)

Ref. No.	Cat. No.	Description	Ref. No.	Cat. No.	Description
19	H20A594	Handle for storage bin	57	H17A386	Slide for cold storage tray
	H20A487	Washer between handle and lower door panel.		H20A576	Screw for cold storage tray slide (10-32)
	126915	Screw fastening handle to lower door (No. 8)		H20A577	Washer for Cat. H20A576
	179789	Washer for Cat. 126915	58	H20A578	Spacer for cold storage tray slide
	H31A123	Rubber stop for storage bin	59	H20A467	Shim for Cat. H20A578
20	H31A121	Grommet for storage bin panel		H11A244	Tapping strip for Cat. H20A576
	H31A122	Rubber bumper for storage bin		H20A479	Screw fastening Cat. H11A244 to inner liner (10-32)
	H31A125	Rubber channel for storage bin		179789	Washer for Cat. H20A479
21	NP80196	"Deluxe" nameplate		H20A580	Brace for inner liner, RH side
	58X812	Fastener for NP80196		H20A581	Brace for inner liner, LH side
	H20A385	Washer for NP80196		H20A582	Screw fastening Cat. H17A197 and brace to inner liner (10-32)
22	-	DOOR FOR CABINET		58X364	Washer for Cat. H20A582
22	H7A449	Outer door panel RH cabinet		H20A559	Bracket for lamp receptacle
	H7A450	Outer door panel LH cabinet		126915	Screw for Cat. H20A559 (No. 8)
23	NP88554A	Nameplate (Letters, General Electric) and holding strips		H18A38	Washer for Cat. 126915
24	NP885548,C	Nameplate (Monogram)		H20A110	Rubber plug for inner liner cover
25	H13A248	Door gasket		H20A470	Metal plug for inner liner cover
	H10A215	Door strip, hinge side		58X397	Screw fastening inner liner cover to inner liner, LH side (No. 8)
26	H10A216	Door strip, latch side, with escutcheon for latch bolt		58X374	Screw fastening inner liner cover to inner liner, RH side (No. 10)
27	H15A41	Escutcheon for latch bolt		58X385	Nut for Cat. 58X374
	H10A217	Door strip, top		H13A249	Gasket between inner liner cover and inner liner
	H10A218	Door strip, bottom		78X993	Lamp receptacle
28	H20A558	Screw for door strip (No. 8)	60	A21R266	BUTTER CONDITIONER
29	H9A46	Door corner		A21R282	Glass butter dish
	H7A370	Inner door panel		A21R267	Frame for butter conditioner
30	H15A102	Latch with gasket and nut	60	A21R268	Rivet for Cat. A21R267
31	H15A64	Spring for latch		A21R269	Liner for butter conditioner
32	H15A65	Nut for latch and handle		A21R270	Spacing spring for liner and frame
33	H15A66	Gasket between latch and outer door panel	61	A21R271	Clamp holding butter conditioner to inner liner
	H20A558	Screw fastening latch to door strip (No. 8)	62	A21R272	Clip for Cat. A21R271
34	H15A86	Latch handle with push plate and spring	63	58X807	Screw fastening clip to frame (6-32)
35	H15A87	Back plate for latch handle, RH cabinet	64	TC41E1	Thermostat and heater assembly
	H15A88	Back plate for latch handle, LH cabinet	65	A21R273	Heat conductor plate between thermostat and liner
36	H15A89	Pin fastening latch handle to back plate	66	A21R274	Clamp holding thermostat to liner
37	H15A90	Escutcheon for latch handle, RH cabinet	67	A21R275	Adjusting disc for temperature control
	H15A91	Escutcheon for latch handle, LH cabinet	68	A21R276	Clamp holding heating unit to liner
38	H13A243	Gasket between back plate for latch handle and outer door panel	69	A21R277	Door for butter conditioner
	58X397	Screw fastening back plate for latch handle to outer door panel (No. 8)	70	A21R278	Handle for Cat. A21R277
39	H16A55	Upper hinge for RH door or lower hinge for LH door, without cover	71	58X808	Screw fastening handle to door
40	H16A56	Lower hinge for RH door or upper hinge for LH door, without cover		A21R279	Washer for Cat. 58X808
41	H16A52	Cover for hinge		A21R280	Hinge for Cat. A21R277
	H16A81	Spacer tube for hinge		C20H134	Screw fastening hinge to door (6-32)
	128619	Screw fastening hinge to door (10-32)		A21R281	Washer for Cat. C20H134
	58X381	Screw fastening hinge to cabinet (12-28)		H20A468	Shim between hinge and frame
42	H14A22	Strike for latch bolt		58X807	Screw fastening hinge and frame to inner liner
43	H14A20	Strike case	72	H17A406	Shelf, small, side of evaporator
	H20A558	Screw for strike (No. 8)	73	H17A399	Supporting bracket for small shelf at side of evaporator
	58X310	Lockwasher for Cat. H20A558		H20A583	Screw fastening Cat. H17A399 to evaporator (6-32)
44	16A21H19	Door switch		58X382	Nut for Cat. H20A583
	H20A406	Connector with insulation for leads		58X379	Lockwasher for Cat. H20A583
	H10A219	Door jamb strip, hinge side		58X398	Rubber washer for Cat. H20A583
45	H10A220	Door jamb strip, latch side	74	179789	Fibre washer between 58X398 and Cat. H17A399
46	H10A221	Door jamb strip, bottom	75	58X399	Stainless steel washer for Cat. H20A583
47	H10A222	Door jamb strip, top	76	H17A407	Shelf, top
	H20A558	Screw for door jamb strip (No. 8)	77	H17A388	Hanger for top shelf
	H20A516	Rubber bumper for evaporator door	78	H17A408	Sliding shelf with stops
48	H9A47	Door jamb corner		A4R33	Cold storage tray with trim
49	H3A163	INNER LINER WITH SHELF SUPPORTS		H18A216	Trim for cold storage tray
50	H17A194	Shelf support, headed	79	H20A595	Trim plug
	H20A600	Washer under Cat. H17A194, front		A4R27	Cover for cold storage tray
51	H17A195	Shelf support, straight	80	H20A585	Rack for cold storage tray
	H20A564	Screw for shelf support, straight or headed (1/4 in.-20)		H30A203	VEGETABLE DRAWER WITH FRONT PANEL AND HANDLE
	H20A568	Washer for Cat. H20A564		H30A204	Vegetable drawer only
52	H17A233	Shelf support, double slot, for lower shelf, front	80	H30A205	Front panel for vegetable drawer
	H20A569	Clip for Cat. H17A233	81	NP90188	Trim plate for front panel of vegetable drawer
	H20A570	Screw fastening Cat. H17A233 and H20A569 to inner liner (10-32)		H30A195	Support for front panel
53	H17A197	Support for sliding shelf		58X810	Rivet fastening support to front panel
54	H20A389	Shim for Cat. H17A197		58X809	Screw fastening support to drawer
55	H20A571	Support for vegetable drawer		179789	Washer for Cat. 58X809
56	H20A572	Clip for Cat. H20A571	82	H20A596	Shim between support and drawer
	H20A573	Screw fastening Cat. H20A571 and H20A572 to inner liner (10-32)		H30A196	Handle for vegetable drawer
	H20A574	Fiber washer for Cat. H20A573		58X388	Screw fastening handle to front panel
	H20A575	Washer for Cat. H20A573	83	43X100	Nut for Cat. 58X388
				H30A184	Cover for vegetable drawer
				H30A185	Frame for cover for vegetable drawer
				H20A597	Support for vegetable drawer and air filter
				H20A598	Rubber foot for Cat. H20A597
				H5X20	Cabinet insulation (Kimsul)

Always Give Catalog Number

# B7B

FOR REFRIGERATING MACHINE PARTS REFER TO CF-22G UNIT

## Accessories

Quan.	Cat. No.	Description
4	A5R40	Freezing Trays with Flexible Dividers
1	A21R229	Freezing Tray Lifter
1	A5R42	Dessert Tray
1	A5R43	Cover for Dessert Tray
1	A21R286	Thermometer, Case and Hanger

Quan.	Cat. No.	Description
1	A21R287	Thermometer Only
1	A21R170	Hanger for Thermometer
2	91X713	Screw Fastening Hanger to Case (No.2)
	*A20R11	Package of Activated Carbon for Air Filter

\* Not Furnished with Cabinet

## Cabinet Parts

Cat. No.	Description
H4A69	TOP COVER FOR CABINET
H18A219	Trim for Top Cover, R.H. Side
H18A220	Trim for Top Cover, L.H. Side
H18A215	Slide for Trim for Top Cover
H13A261	Gasket for Top Cover
H20A561	Clip for Top Cover, Front
H20A590	Clip for Top Cover, Back
H20A556	Screw for Cat. H20A561 (10-32)
91X648	Screw for Cat. H20A590 or Refrigerant Line
	Sealing Plate (No.8)
H32A20	Temperature Control Knob, Outer
NP90170-A	Escutcheon for Temperature Control Knob
NP90170-B	Holder for NP90170-A
H32A21	Control Mounting Bracket
H20A6	Screw Fastening NP90170-B and H32A21 to Top Cover (4-48)
H32A23	Rubber Gasket for NP90170-B
H32A22	Rubber Bushing for Cat. H32A21
I26915	Screw Fastening Control to Mounting Bracket (8-32)
H2A167	OUTER CASE, R.H. CABINET
H2A168	OUTER CASE, L.H. CABINET
58X374	Screw Fastening Condenser to Outer Case (No.10)
58X801	Washer for Cat. 58X374
I50279	Washer between Condenser Bracket and Condenser
H20A243	Rubber Spacer for Back of Condenser
H20A62	Screw for Rubber Spacer (No.8)
80X132	Washer for Cat. H20A62
H27A173	BASE
I06775	Cap Screw Fastening Condenser to Base (5/16 in.-18)
I77811	Nut for Cat. I06775
H18A22	Washer for Cat. I06775 (7/8 in. O.D.)
H18A18	Washer for Cat. I06775 (5/8 in. O.D.)
20X536	Cap Screw Fastening Outer Case to Base (1/4 in. -20)
I60980	Washer for Cat. 20X536
H20A502	Reinforcing Plate for Cat. 20X536
71X272	Carriage Bolt Fastening Refrigerating Machine to Base Front (5/16 in.-18)
I77811	Nut for Cat. 71X272
91X649	Washer for Cat. 71X272
A2R16	Adjustable Glider for Front of Base
I41255	Nut for Adjustable Glider
H27A175	Grille for Base
H27A176	Lower Blade with Trim
H27A177	Upper Blade with Trim
H27A178	Spacer for Grille
H27A165	Bolt Fastening Blades and Spacers of Grille (10-32)
I45996	Nut for Cat. H27A165
H20A591	Support for Lower Door, R.H.Side
H20A592	Support for Lower Door, L.H.Side
I05136	Screw Fastening Support for Lower Door to Base
58X310	Washer for Cat. I05136
58X801	Washer between Support for Lower Door and Base
H11A245	Tapping Strip Fastening Support for Lower Door to Base
H7A448	LOWER DOOR PANEL
H31A120	Storage Bin
58X287	Screw Fastening Storage Bin to Lower Door Panel (No.8)
H20A485	Washer for Cat. 58X287
H20A594	Handle for Storage Bin
H20A487	Washer between Handle and Lower Door Panel
I26915	Screw Fastening Handle to Lower Door (No.8)
I79789	Washer for Cat. I26915
H31A123	Rubber Stop for Storage Bin
H31A121	Grommet for Storage Bin
H31A122	Rubber Bumper for Storage Bin
H31A125	Rubber Channel for Storage Bin
NP80196	"Deluxe" Nameplate
58X812	Fastener for Nameplate
H20A385	Washer for "Deluxe" Nameplate
H6A415	DOOR FOR R.H. CABINET
H6A416	DOOR FOR L.H. CABINET
H7A458	Outer Door Panel (R.H.Cabinet)
H7A459	Outer Door Panel (L.H.Cabinet)
NP85377A	Nameplate (General Electric)
NP85377B	Clip for Nameplate

Cat. No.	Description
H13A248	Door Gasket
H10A171	Door Strip, Hinge Side
H10A172	Door Strip, Latch Side, with Escutcheon for Latch Bolt
H15A41	Escutcheon for Latch Bolt
H10A173	Door Strip, Top or Bottom
H20A558	Screw for Door Strip (No.8)
H9A46	Door Corner
H7A370	Inner Door Panel
H15A102	Latch with Gasket and Nut
H15A84	Spring for Latch
H15A65	Nut for Latch and Handle
H15A66	Gasket between Latch and Outer Door Panel
H20A558	Screw Fastening Latch to Door Strip (No.8)
H15A86	Latch Handle with Push Plate and Spring
H15A87	Back Plate for Latch Handle, RH Cabinet
H15A88	Back Plate for Latch Handle, LH Cabinet
H15A89	Pin Fastening Latch Handle to Back Plate
H15A90	Escutcheon for Latch Handle, RH Cabinet
H15A91	Escutcheon for Latch Handle, LH Cabinet
H13A243	Gasket between Back Plate for Latch Handle and Outer Door Panel
58X397	Screw Fastening Back Plate for Latch Handle to Outer Door Panel (No.8)
H16A72	Hinge without Cover
H16A52	Cover for Hinge
I28619	Screw Fastening Hinge to Door (10-32)
58X381	Screw Fastening Hinge to Cabinet (12-28)
H14A22	Strike for Latch Bolt
H14A20	Strike Case
H20A558	Screw for Strike (No.8)
58X310	Lockwasher for Cat. H20A558
I6A21H12	Door Switch
H20A406	Connector with Insulation for Leads
H10A174	Door Jamb Strip, Hinge Side
H10A175	Door Jamb Strip, Latch Side
H10A176	Door Jamb Strip, Bottom
H10A177	Door Jamb Strip, Top
H20A558	Screw for Door Jamb Strip (No.8)
H20A516	Rubber Bumper for Evaporator Door
H9A47	Door Jamb Corner
H3A168	INNER LINER WITH SHELF SUPPORTS
H17A194	Shelf Support Headed
H17A335	Headed Support for Butter Compartment
H17A195	Shelf Support, Straight
H12A2	Screw for Shelf or Butter Compartment Support (1/4 in.-20)
H20A464	Washer for Cat. H12A2
H17A337	Support for Sliding Shelf, Upper
H17A340	Support for Sliding Shelf
H20A503	Shim for Sliding Shelf Support
H20A505	Bracket for Vegetable Drawer Cover Frame, Upper
H20A506	Screw Fastening Support for Sliding Shelf to Inner Liner (8-32)
H20A507	Screw Fastening Support for Sliding Shelf and Upper Bracket for Vegetable Drawer Cover Frame to Inner Liner (8-32)
H20A508	Bracket for Vegetable Drawer Cover Frame, Lower
I1X339	Screw Fastening Cat.H20A508 to Inner Liner (10-30)
205128	Nut for Cat. I1X339
58X310	Shakeproof Washer for Cat. I1X339
H20A577	Washer for Cat. I1X339
H17A386	Slide for Cold Storage Tray
H20A465	Screw for Cold Storage Tray Slide (10-30)
H20A466	Spacer for Cold Storage Tray Slide
H20A467	Shim for Cat. H20A466
H1A227	Tapping Strip for Cold Storage Tray Slide
I1X339	Screw Fastening Cat. H1A227 to Inner Liner Side (10-30)
I79789	Washer for Cat. I1X339
H20A559	Bracket for Lamp Receptacle
I26915	Screw for Cat. H20A559 (No.8)
H18A38	Washer for Cat. I26915
78X994	Receptacle for Butter Compartment

Always Give Catalog Number



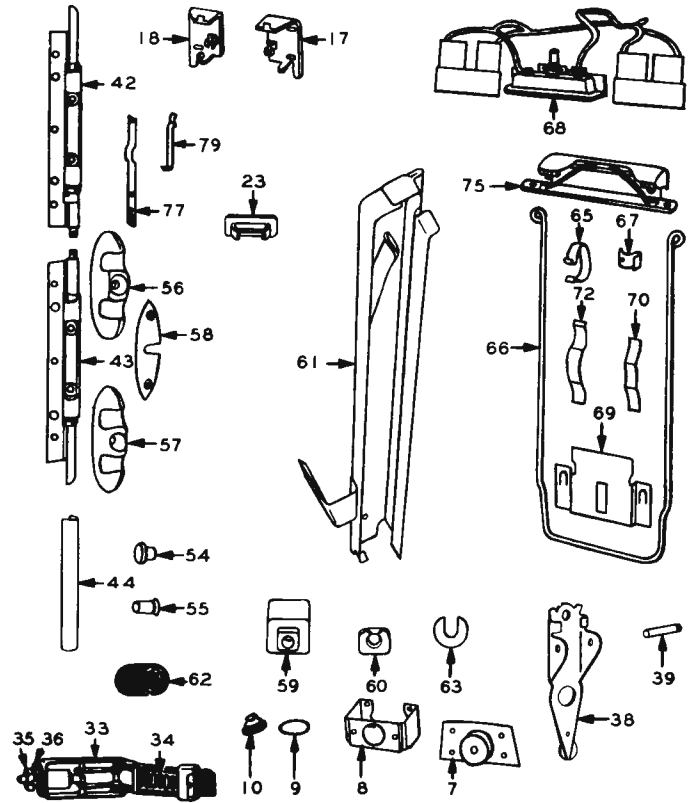
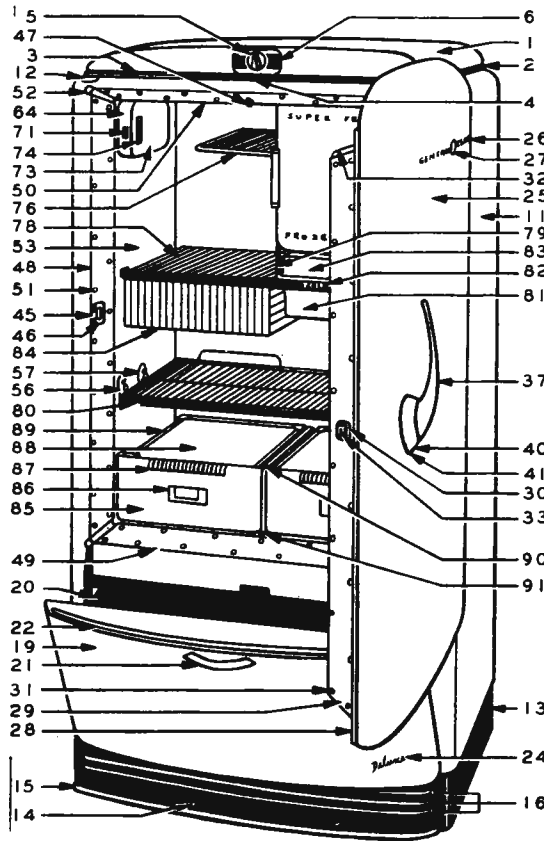
**B7B (Cont.)**

<i>Cat. No.</i>	<i>Description</i>	<i>Cat. No.</i>	<i>Description</i>
H20A538	Brace for Inner Liner, RH Side	H20A583	Screw Fastening Cat. H17A399 to Evaporator (6-32)
H20A539	Brace for Inner Liner, LH Side	58X382	Nut for Cat. H20A583
H20A110	Rubber Plug for Inner Liner Cover	58X379	Shakeproof Washer for Cat. H20A583
H20A470	Metal Plug for Inner Liner Cover	C20H173	Stainless Steel Washer for Cat. H20A583
58X397	Screw Fastening Inner Liner Cover to Inner Liner, LH Side (No.8)	I79789	Fiber Washer between Cat. C20H172 and Supporting Bracket
58X374	Screw Fastening Inner Liner Cover to Inner Liner, RH Side (No.10)	C20H172	Rubber Washer for Cat. H20A583
58X385	Nut for Cat. 58X374	H17A344	Shelf, Top
H13A249	Gasket between Inner Liner Cover and Inner Liner	H17A388	Hanger for Top Shelf
78X719	Lamp Receptacle	H17A345	Sliding Shelf with Stops
78X998	BUTTER CONDITIONER WITH TRAY	A4R33	Cold Storage Tray with Trim
A21R232	Tray for Butter Compartment	H18A216	Trim for Cold Storage Tray
A21R233	Door with Hinge and Handle for Butter Conditioner	H20A519	Trim Plug
A21R234	Handle for Butter Conditioner Door	A4R27	Cover for Cold Storage Tray
A21R235	Screw Fastening Handle to Door	H20A585	Rack for Cold Storage Tray
A21R236	Screw Fastening Door Hinge to Outer Case	H30A170	VEGETABLE DRAWER WITH FRONT PANEL AND HANDLE
A21R237	Door Spring	H30A171	FRUIT DRAWER WITH FRONT PANEL AND HANDLE
A21R238	Door Frame for Butter Conditioner	H30A153	Pan only for Vegetable or Fruit Drawer
A21R239	Outer Case for Butter Conditioner	H30A172	Front Panel for Vegetable Drawer
A21R240	Inner Liner for Butter Conditioner	H30A173	Front Panel for Fruit Drawer
A21R236	Screw Fastening Inner Liner to Outer Case	H20A514	Handle for Vegetable or Fruit Drawer
A21R241	Steel Washer for Cat. No. A21R236	C20H146	Screw Fastening Front Panel and Handle to Pan (8-32)
A21R242	Fiber Washer for Cat. No. A21R236	H20A398	White Fiber Washer for Cat. C20H146
A21R243	Thermostat, Plug and Heating Unit	H20A550	Washer between Front Panel and Pan
A21R244	Knob for Thermostat	H20A549	Washer between Handle and Front Panel
A21R245	Screw Fastening Knob to Thermostat	H30A149	Frame for Cover for Vegetable or Fruit Drawer
A21R246	Clip Fastening Heating Unit to Inner Liner	H30A150	Cover for Vegetable or Fruit Drawer
H17A342	Shelf, Small, Side of Evaporator	A21R251	AIR FILTER WITH SUPPORT
H17A399	Supporting Bracket for H17A342	A21R253	Cover for Air Filter
		H20A401	Rubber Foot for Air Filter
		H5X20	Cabinet Insulation (Kimsul)

Always Give Catalog Number

# B8A, B8-42A, PB8A, PB8-42A

FOR REFRIGERATING MACHINE PARTS REFER TO CF-22G MACHINE



## PB8-42A

### Accessories

Quan.	Cat. No.	Description
4	A5R40	Freezing Trays with Flexible Dividers
1	A21R229	Freezing Tray Lifter
1	A5R42	Dessert Tray
1	A5R43	Cover for Dessert Tray
1	A21R266	Thermometer, Case, and Hanger

Quan.	Cat. No.	Description
1	A21R287	Thermometer only
1	A21R170	Hanger for Thermometer
2	91X713	Screw Fastening Hanger to Case (No. 2)
1	A21R264	Air Filter

### Cabinet Parts

Ref. No.	Catalog Number		Description
	B8A B8-42A	PB8A PB8-42A	
1	H4A67	H4A68	TOP COVER FOR CABINET
2	H18A213	H18A213	Trim for Top Cover, R.H. Side
3	H18A214	H18A214	Trim for Top Cover, L.H. Side
4	H18A215	H18A215	Slide for Trim for Top Cover
	H13A262	H13A262	Gasket for Top Cover
	H20A561	H20A557	Clip for Top Cover, Front
	H20A590	H20A590	Clip for Top Cover, Back
	-	H13A165	Gasket for H20A590
	H20A556	H20A556	Screw for Cat. H20A561 or Cat. H20A557 (10-32)
	91X648	91X648	Screw for Cat. H20A590 or Refrigerant Line Sealing Plate (No. 8)
	-	H20A485	Washer for Refrigerant Line Sealing Plate
5	H32A20	H32A20	Temperature Control Knob, Outer
6	NP90170A	NP90170A	Escutcheon for Temperature Control Knob
7	NP90170B	NP90170B	Holder for NP90170A
8	H32A21	H32A21	Control Mounting Bracket
	H20A6	H20A6	Screw Fastening NP90170B and H32A21 to Top Cover (8-32)
9	H32A23	H32A23	Rubber Gasket for NP90170B
10	H32A22	H32A22	Rubber Bushing for Cat. H32A21
	126915	126915	Screw Fastening Control to Mounting Bracket (8-32)
11	-	H2A179	OUTER CASE, R. H.
	-	H2A180	OUTER CASE, L. H.
	-	H18A187	Trim for Upper R.H. Corner of Outer Case, Front
12	-	H18A188	Trim for Upper L.H. Corner of Outer Case, Front
	-	H20A486	Rubber Spacer for Cat. H18A187 or H18A188
	-	H20A168	Washer for Cat. H18A187 or H18A188
	58X326	58X326	Nut Fastening H18A187 or H18A188 to Outer Case
	58X374	58X374	Screw Fastening Condenser to Outer Case (No. 10)
	58X801	58X801	Washer for Cat. 58X374
	150279	150279	Washer between Condenser Bracket and Condenser

Ref. No.	Catalog Number		Description
	B8A B8-42A	PB8A PB8-42A	
	H20A243	H20A243	Rubber Spacer for Back of Condenser
	H20A62	H20A62	Screw for Rubber Spacer (No. 8)
	80X132	80X132	Washer for Cat. H20A62
13	H27A160	H27A160	BASE
	106775	106775	Cap Screw Fastening Condenser to Base (5/16 in.-18)
	177811	177811	Nut for Cat. 106775
	H18A22	H18A22	Washer for Cat. 106775 (7/8 in. O.D.)
	H18A18	H18A18	Washer for Cat. 106775 (5/8 in. O.D.)
	-	H13A252	Pad between Base and Cabinet
	20X536	20X536	Cap Screw Fastening Outer Case to Base (1/4 in.-20)
	I60980	I60980	Washer for Cat. 20X536
	H20A502	H20A502	Reinforcing Plate for Cat. 20X536
	-	H20A255	Fibre Washer for Cat. 20X536
	71X272	71X272	Carriage Bolt Fastening Refrigerating Machine to Base (5/16 in.-18)
	177811	177811	Nut for Cat. 71X272
	91X649	91X649	Washer for Cat. 71X272
	A2R16	A2R16	Adjustable Glider for Front of Base
	I41255	I41255	Nut for Adjustable Glider
14	H27A161	H27A161	Grille for Base
15	H27A162	H27A162	Lower Blade with Trim
16	H27A163	H27A163	Upper Blade with Trim
	H27A164	H27A164	Spacer for Grille
	H27A165	H27A165	Bolt Fastening Blades and Spacers of Grille (10-32)
	I45996	I45996	Nut for Cat. H27A165
17	H20A591	H20A591	Support for Lower Door, R.H. Side
18	H20A592	H20A592	Support for Lower Door, L.H. Side
	105136	105136	Screw Fastening Support for Lower Door to Base
	58X310	58X310	Washer for Cat. 105136
	58X801	58X801	Washer between Support for Lower Door and Base

Always Give Catalog Number

**B8A, B8-42A, PB8A, PB8-42A (Cont.)**

Ref. No.	Catalog Number		Description	Ref. No.	Catalog Number		Description
	B8A B8-42A	PB8A PB8-42A			B8A B8-42A	PB8A PB8-42A	
	H11A245	H11A245	Tapping Strip Fastening Support for Lower Door to Base	58	H20A389	H20A389	Shim for Cat. H17A197
19	H7A436	H7A442	LOWER DOOR PANEL	59	H20A571	H20A571	Support for Vegetable Drawer
20	H31A128	H31A128	Storage Bin	60	H20A572	H20A572	Clip for Cat. H20A571
	58X287	58X287	Screw Fastening Storage Bin to Lower Door Panel (No. 8)		H20A573	H20A573	Screw Fastening Cat. H20A571 and H20A572 to Inner Liner (10-32)
	H20A485	H20A485	Washer for Cat. 58X287		H20A574	H20A574	Fiber Washer for Cat. H20A573
21	H20A594	H20A594	Handle for Storage Bin	61	H20A575	H20A575	Washer for Cat. H20A573
	H20A487	H20A487	Washer between Handle and Lower Door Panel		H17A386	H17A386	Slide for Cold Storage Tray
	126915	126915	Screw Fastening Handle to Lower Door (No. 8)		H20A576	H20A576	Screw for Cold Storage Tray Slide (10-32)
	179789	179789	Washer for Cat. No. 126915		H20A577	H20A577	Washer for Cat. H20A576
22	-	H18A192	Trim with Retainer for Front Panel	62	H20A578	H20A578	Spacer for Cold Storage Tray Slide
	-	H20A488	Retainer for Trim	63	H20A467	H20A467	Shim for Cat. H20A578
	-	58X804	Nut for Cat. H20A488		H20A479	H20A479	Screw Fastening Cat. H11A244 to Inner Liner (10-32)
	H31A123	H31A123	Rubber Stop for Storage Bin		179789	179789	Washer for Cat. H20A479
	H31A121	H31A121	Grommet for Storage Bin Panel		H11A244	H11A244	Tapping Strip for Cat. H20A576
	H31A122	H31A122	Rubber Bumper for Storage Bin		H20A580	H20A580	Brace for Inner Liner, R.H. Side
	H31A125	H31A125	Rubber Channel for Storage Bin		H20A581	H20A581	Brace for Inner Liner, L.H. Side
24	NP80196	NP80196	Delux Nameplate		H20A582	H20A582	Screw Fastening Cat. H17A197 and Brace to Inner Liner (10-32)
	58X370	58X370	Fastener for NP80196		58X364	58X364	Washer for Cat. H20A582
	H20A385	H20A385	Washer for NP80196		H20A559	H20A559	Bracket for Lamp Receptacle
25	-	-	DOOR FOR CABINET		126915	126915	Screw for Cat. H20A559 (No. 8)
25	H7A437	H7A443	Outer Door Panel R.H. Cabinet		H18A38	H18A38	Washer for Cat. 126915
	H7A438	H7A444	Outer Door Panel L.H. Cabinet		H20A110	H20A110	Rubber Plug for Inner Liner Cover
26	NP88554A	NP88554A	Nameplate (letters, General Electric) and Holding Strips		H20A470	H20A470	Metal Plug for Inner Liner Cover
			Nameplate (Monogram)		58X397	58X397	Screw Fastening Inner Liner Cover to Inner Liner, L.H. Side (No. 8)
27	NP88554B,C	NP88554B,C	Nameplate (Monogram)		58X374	58X374	Screw Fastening Inner Liner Cover to Inner Liner, R.H. Side (No.10)
28	H13A258	H13A258	Door Gasket		58X385	58X385	Nut for Cat. 58X374
29	H10A230	H10A230	Door Strip, Hinge Side		H13A249	H13A249	Gasket between Inner Liner Cover and Inner Liner
	H10A231	H10A231	Door Strip, Latch Side, with Escutcheon for Latch Bolt		78X993	78X993	Lamp Receptacle
30	H15A41	H15A41	Escutcheon for Latch Bolt		A21R266	A21R266	Butter Conditioner
	H10A232	H10A232	Door Strip, Top	64	A21R282	A21R282	Glass Butter Dish
	H10A233	H10A233	Door Strip, Bottom		A21R267	A21R267	Frame for Butter Conditioner
31	H20A558	H20A558	Screw for Door Strip, (No. 8)	64	A21R268	A21R268	Rivet for Cat. A21R267
32	H9A46	H9A46	Door Corner		A21R269	A21R269	Liner for Butter Conditioner
	H7A393	H7A393	Inner Door Panel		A21R270	A21R270	Spacing Spring for Liner and Frame
33	H15A102	H15A102	Latch with Gasket and Nut	65	A21R271	A21R271	Clamp Holding Butter Conditioner to Cabinet Inner Liner
34	H15A64	H15A64	Spring for Latch	66	A21R272	A21R272	Clip for Cat. A21R271
35	H15A65	H15A65	Nut for Latch and Handle		58X807	58X807	Screw Fastening Clip to Frame
36	H15A66	H15A66	Gasket between Latch and Outer Door Panel	67	TC41E1	TC41E1	Thermostat and Heater Assembly
	H20A558	H20A558	Screw Fastening Latch to Door Strip (No. 8)		A21R273	A21R273	Heat Conductor Plate between Thermostat and Liner
37	H15A86	H15A86	Latch Handle with Push Plate and Spring	68	A21R274	A21R274	Clamp Holding Thermostat to Liner
38	H15A87	H15A87	Back Plate for Latch Handle, R.H. Cabinet	69	A21R275	A21R275	Adjustment Disc for Temperature Control
	H15A88	H15A88	Back Plate for Latch Handle, L.H. Cabinet	70	A21R276	A21R276	Clamp holding Heating Unit to Liner
	H15A89	H15A89	Pin Fastening Latch Handle to Back Plate	71	A21R277	A21R277	Door for Butter Conditioner
39	H15A90	H15A90	Escutcheon for Latch Handle, R.H. Cabinet	72	A21R278	A21R278	Handle for Cat. A21R277
	H15A91	H15A91	Escutcheon for Latch Handle, L.H. Cabinet	73	58X808	58X808	Screw Fastening Handle to Door
41	H13A243	H13A243	Gasket between Back Plate for Latch Handle and Outer Door Panel	74	A21R279	A21R279	Washer for Cat. 58X808
	-	H20A528	Washer between Back Plate for Latch Handle and Outer Door Panel (7/16" O.D.)	75	A21R280	A21R280	Hinge for Cat. A21R277
	-	H20A529	Washer between Back Plate for Latch Handle and Outer Door Panel (3/4" O.D.)		C20H134	C20H134	Screw Fastening Hinge to Door
	58X397	58X397	Screw Fastening Back Plate for Latch Handle to Outer Door Panel (No. 8)		A21R281	A21R281	Washer for Cat. C20H134
42	H16A55	H16A55	Upper Hinge for R.H. Door or Lower Hinge for L.H. Door, without Cover	76	H20A468	H20A468	Shim between Hinge and Frame
43	H16A56	H16A56	Lower Hinge for R.H. Door or Upper Hinge for L.H. Door, without Cover	77	58X807	58X807	Screw Fastening Hinge and Frame to Inner Liner
					H17A398	H17A398	Shelf, small, side of evaporator
44	H16A52	H16A52	Cover for Hinge		H17A399	H17A399	Supporting Bracket for Small Shelf at Side of Evaporator
	H16A85	H16A85	Spacer Tube for Hinge		H20A583	H20A583	Screw Fastening Cat. H17A399 to Evaporator (6-32)
	-	H31A197	Gasket between Hinge and Door		58X382	58X382	Nut for Cat. H20A583
	-	H31A196	Gasket between Hinge and Cabinet		58X379	58X379	Lockwasher for Cat. H20A583
	128619	128619	Screw Fastening Hinge to Door (10-32)		58X398	58X398	Rubber Washer for Cat. H20A583
45	58X381	58X381	Screw Fastening Hinge to Cabinet (12-28)	78	179789	179789	Fiber Washer between Cat. 58X398 and Cat. H17A399
	H14A22	H14A22	Strike for Latch Bolt	79	58X399	58X399	Stainless Steel Washer for Cat. H20A583
46	H14A20	H14A20	Strike Case	80	H17A400	H17A400	Shelf, Top
	H20A558	H20A558	Screw for Strike (No. 8)	81	H17A388	H17A388	Hanger for Top Shelf
	58X310	58X310	Lockwasher for Cat. H20A558	82	H17A401	H17A401	Sliding Shelf with Stops
47	16A21H19	16A21H19	Door Switch	83	A4R33	A4R33	Cold Storage Tray with Trim
	H20A406	H20A406	Connector with Insulation for Leads		H18A216	H18A216	Trim for Cold Storage Tray
	H10A234	H10A234	Door Jamb Strip, Hinge Side	84	H20A595	H20A595	Trim Plug
	H10A235	H10A235	Door Jamb Strip, Latch Side		A4R27	A4R27	Cover for Cold Storage Tray
48	H10A236	H10A236	Door Jamb Strip, Bottom		H20A585	H20A585	Rack for Cold Storage Tray
49	H10A237	H10A237	Door Jamb Strip, Top		A21R283	A21R283	Basket with Partition for Top Shelf
50	H20A558	H20A558	Screw for Door Jamb Strip (No. 8)		A21R284	A21R284	Basket without Partition
51	H20A516	H20A516	Rubber Bumper for Evaporator Door	85	A21R285	A21R285	Partition for Basket
52	H9A47	H9A49	Door Jamb Corner		H30A192	H30A192	VEGETABLE DRAWER WITH FRONT PANEL AND HANDLE
53	H3A161	H3A161	INNER LINER WITH SHELF SUPPORTS		H30A193	H30A193	Vegetable Drawer only
54	H17A194	H17A194	Shelf Support, Headed		H30A194	H30A194	Front Panel for Vegetable Drawer
	H20A600	H20A600	Washer under Cat. H17A194, Front		NP90188	NP90188	Trim Plate for Vegetable Drawer Front Panel
55	H17A195	H17A195	Shelf Support, Straight		H30A195	H30A195	Support for Front Panel
	H20A564	H20A564	Screw for Shelf Support, Straight or Headed (1/4 in.-20)		58X810	58X810	Rivet Fastening Support to Front Panel
	H20A568	H20A568	Washer for Cat. H20A564	87	58X809	58X809	Screw Fastening Support to Drawer
56	H17A233	H17A233	Shelf Support, Double Slot, for Lower Shelf, Front		179789	179789	Washer for Cat. 58X809
	H20A569	H20A569	Clip for Cat. H17A233		H20A596	H20A596	Shim between Support and Drawer
	H20A570	H20A570	Screw Fastening Cat. H17A233 and H20A569 to Inner Liner (10-32)		H30A196	H30A196	Handle for Vegetable Drawer
57	H17A197	H17A197	Support for Sliding Shelf		58X388	58X388	Screw Fastening Handle to Front Panel
					43X100	43X100	Nut for Cat. 58X388
				88	H30A197	H30A197	Cover for Vegetable Drawer
				89	H30A198	H30A198	Frame for Cover for Vegetable Drawer
				90	H20A597	H20A597	Support for Vegetable Drawer and Air Filter
				91	H20A598	H20A598	Rubber Foot for Cat. H20A597
					H5X20	H5X20	Cabinet Insulation (Kimsul)

\*A few of these cabinets used H16A78 Upper Hinge, H16A79 Lower Hinge, and H16A80 Cover for Hinge. This is the hinge used on B8-41 Cabinet.

**LBS-8A, LBSF-8A**

FOR REFRIGERATING MACHINE PARTS REFER TO CF-2R AND CM-33P UNITS RESPECTIVELY

NOTE: This is a special Refrigerator for the United States Navy built in limited quantities only.

**Accessories**

Quan.	Cat. No.	Description
1	A4R11	Chiller Tray
4	A5R23	Freezing Trays with Flexible Dividers
1	A21R229	Freezing Tray Lifter

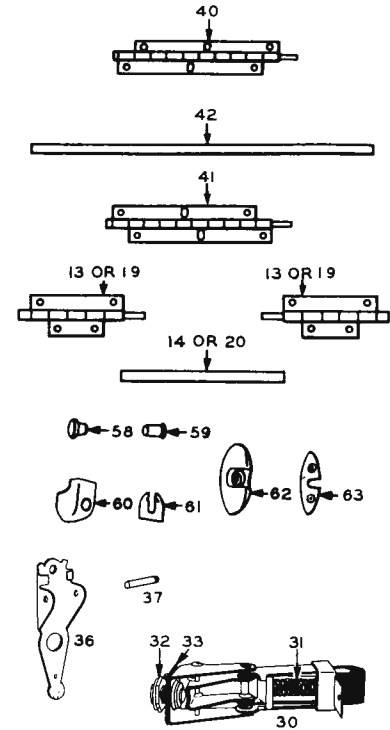
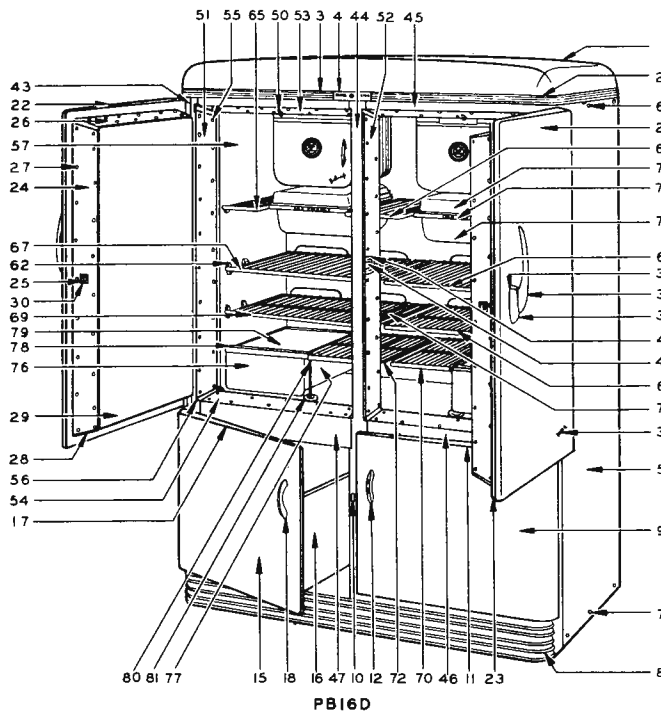
**Cabinet Parts**

Cat. No.	Description	Cat. No.	Description
H4A65	TOP COVER FOR CABINET	H10A230	Door Strip, Hinge Side
H13A255	Gasket for Top Cover	H10A231	Door Strip, Latch Side, with Escutcheon for Latch Bolt
H20A561	Clip for Top Cover, Front	H15A41	Escutcheon for Latch Bolt
H20A162	Clip for Top Cover, Back	H10A232	Door Strip, Top
H20A558	Screw for Cat. H20A561 (10-32)	H10A233	Door Strip, Bottom
91X648	Screw for Cat. H20A162 or Refrigerant Line Sealing Plate (No. 8)	H20A558	Screw for Door Strip (No.8)
H2A185	OUTER CASE (LBS-8A)	H9A46	Door Corner
H2A186	OUTER CASE (LBSF-8A)	H7A379	Inner Door Panel
58X374	Screw fastening Condenser to Outer Case (No. 10)(LBS-8A)	H15A102	Latch with Gasket and Nut
58X801	Washer for Cat. 58X374 (LBS-8A)	H15A64	Spring for Latch
150279	Washer between Condenser Bracket and Condenser (LBS-8A)	H15A65	Nut for Latch and Handle
H20A243	Rubber Spacer for Back of Condenser (LBS-8A)	H15A66	Gasket between Latch and Outer Door Panel
H20A62	Screw for Rubber Spacer (No. 8)(LBS-8A)	H20A558	Screw Fastening Latch to Door Strip (No. 8)
80X132	Washer for Cat. H20A62 (LBS-8A)	H20A609	Lock Plate for Door
H27A160	BASE (LBS-8A)	H20A507	Screw Fastening Lock Plate to Door
H27A188	BASE (LBSF-8A)	H15A86	Latch Handle with Push Plate and Spring
H20A305	Support for Refrigeration Machine	H15A87	Back Plate for Latch Handle
261646	Screw Fastening Support to Base (5/16 in.-18)	H15A89	Pin Fastening Latch Handle to Back Plate
126869	Nut for Cat. 261646	H15A90	Escutcheon for Latch Handle
H18A18	Washer for Cat. 261646	H13A243	Gasket between Back Plate for Latch Handle and Outer Door Panel
150167	Screw Fastening Refrigerating Machine to Support (10-32)	58X397	Screw Fastening Back Plate for Latch Handle and Outer Door Panel (No. 8)
145996	Nut for Cat. 150167	H16A95	Hinge without Cover
165736	Washer for Cat. 150167	H16A73	Cover for Hinge
106775	Cap Screw Fastening Condenser to Base (5/16 in.-18) (LBS-8A)	128619	Screw Fastening Hinge to Door (10-32)
177811	Nut for Cat. 106775 (LBS-8A)	58X381	Screw Fastening Hinge to Cabinet (12-28)
H18A22	Washer for Cat. 106775 (7/8 in. O.D.)(LBS-8A)	H14A20	Strike Case
H18A18	Washer for Cat. 106775 (5/8 in. O.D.)(LBS-8A)	H14A22	Strike for Latch Bolt
20X536	Cap Screw Fastening Outer Case to Base (1/4 in.-20)	H20A558	Screw for Strike (No. 8)
160980	Washer for Cat. 20X536	58X310	Lockwasher for Cat. H20A558
H20A502	Reinforcing Plate for Cat. 20X536	H10A234	Door Jamb Strip, Hinge Side
71X272	Carriage Bolt fastening Refrigerating Machine to Base (5/16 in.-18)(LBS-8A)	H10A235	Door Jamb Strip, Latch Side
177811	Nut for Cat. 71X272 (LBS-8A)	H10A236	Door Jamb Strip, Top or Bottom
91X649	Washer for Cat. 71X272 (LBS-8A)	H20A558	Screw for Door Jamb Strip (No. 8)
H7A460	LOWER DOOR PANEL	H9A47	Door Jamb Corner
H20A241	Spring Clip for Lower Door Panel	H20A516	Rubber Bumper for Evaporator Door
58X375	Screw for Cat. H20A241 (No.8)	H3A169	INNER LINER WITH SHELF SUPPORTS
H1A200	Tapping Strip for Cat. 58X375	H17A122	Shelf Support, Straight (3/4 in. long)
165736	Washer for Cat. 58X375	H20A564	Screw for Shelf Support (1/4 in.-20)
H20A459	Rubber Button Spacer for Lower Door Panel	H20A568	Washer for Cat. H20A564
H20A613	Lock Plate for Lower Door	H20A560	Bracket for Ice Tray Lifter
H20A507	Screw Fastening Lock Plate to Lower Door (8-32)	91X648	Screw for Cat. H20A560 (No. 8)
H1A248	Tapping Strip for Cat. H20A507	80X132	Washer for Cat. 91X648
H20A181	Support for Lower Door, RH Side	58X386	Nut for Cat. 91X648
H20A608	Support for Lower Door, LH Side	H20A110	Rubber Plug for Inner Liner Cover
H20A558	Screw Fastening Support for Lower Door to Cabinet(No.8)	H20A470	Metal Plug for Inner Liner Cover
H20A240	Washer for Cat. H20A558	58X397	Screw Fastening Inner Liner Cover to Inner Liner, Left-Hand Side (No. 8)
H20A239	Catch for Spring Clip Cat. H20A241	H20A558	Screw Fastening Inner Liner Cover to Inner Liner, Right-Hand Side (No. 8)
91X648	Screw for Cat. H20A239 (No.8)	58X385	Nut for Cat. H20A558
H6A417	DOOR	H13A249	Gasket between Inner Liner Cover and Inner Liner
H7A461	Outer Door Panel	H17A416	Shelf, Top
NP88554D	Nameplate (Letters General Electric) and Fasteners	H17A417	Shelf, Middle or Bottom
NP88554E	Nameplate (Monogram) and Fasteners	H17A296	Spring Clip for Shelf
58X805	Fasteners for Nameplate Letters and Monogram	H5X20	Cabinet Insulation (Kimsul, 18' Roll)
H13A258	Door Gasket		

Always Give Catalog Number

# PB12D, PB12E, PB16D, PB16E

FOR REFRIGERATING MACHINE PARTS REFER TO CE34E MACHINE FOR  
PB12D, PB16D AND CE34H MACHINE FOR PB12E AND PB16E



## Accessories

Quan.	Cat. No.	Description
8	A5R40	Freezing Trays with Flexible Dividers
1	A5R42	Dessert Tray
1	A5R43	Cover for Dessert Tray
1	A21R229	Freezing Tray Lifter
1	A21R87	Thermometer, Case, and Clip
1	A21R128	Thermometer Only
1	NP75762A	Case for Thermometer

†Not Furnished with Cabinet.

Quan.	Cat. No.	Description
1	A21R129	Clip for Thermometer
2	A21R178	Air Filters
2	A21R179	Perforated Container for Air Filter
2	A21R174	End Cap for Air Filter, R.H. Side
2	A21R175	End Cap for Air Filter, L.H. Side
1	†A20R11	Package of Activated Carbon for Air Filter

## Cabinet Parts

Ref. No.	Catalog Number		Description
	PB12D PB12E	PB16D PB16E	
1	H4A58	H4A59	TOP COVER FOR CABINET
	H13A218	H13A221	Gasket for Top Cover, Front and Sides
	H13A219	H13A222	Gasket for Top Cover, Back
	H20A367	H20A367	Clip for Top Cover, Front
	I45995	I45995	Screw for Cat. H20A367 (10-32)
	H20A368	H20A368	Bracket for Top Cover, Back
	91X648	91X648	Screw Fastening Cat. H20A368 to Top Cover (No. 8)
	H20A369	H20A369	Bracket for Outer Case, Back
	91X648	91X648	Screw Fastening Cat. H20A369 to Outer Case (No. 8)
	20X527	20X527	Screw Fastening Cat. H20A368 to H20A369 (1/4"-20)
	IX452	IX452	Nut for Cat. 20X527
	I43974	I43974	Washer for Cat. 20X527
	2	H18A159	H18A170
H18A160		H18A169	Trim for Top Cover, L.H. Side
3	58X287	58X287	Screw for Trim for Top Cover (No. 8)
	NP70481	NP70481	Nameplate
4	H8A89	H8A89	Panel for Outer Case, R.H. Side
	H8A90	H8A90	Panel for Outer Case, L.H. Side
6	H20A49	H20A49	Screw for Cat. H8A89 or H8A90, Top or Side (No. 8)
	91X299	91X299	Screw for Cat. H8A89 or H8A90, Bottom (No. 8)
7	H18A38	H18A38	Washer for Cat. H20A49 or 91X299
	H20A409	H20A409	Nut for Cat. 91X299
	I36979	I36979	Screw for Refrigerant Line Sealing Plate (10-24)

Ref. No.	Catalog Number		Description
	PB12D PB12E	PB16D PB16E	
8	H20A370	H20A370	Support for Refrigerant Line Sealing Plate
	H20A371	H20A371	Clamp for Refrigerant Line, Upper
	91X648	91X648	Screw for Cat. H20A370 or H20A371 (No. 8)
	H20A243	H20A243	Rubber Spacer for Cat. H20A371
	H20A62	H20A62	Screw for Cat. H20A243 (No. 8)
	80X132	80X132	Washer for Cat. H20A62
	H20A202	H20A202	Clamp for Refrigerant Line, Lower
	91X648	91X648	Screw for Cat. H20A202 (No. 8)
	H27A153	H27A151	BASE
	H20A374	H20A374	Partition between storage bin and Refrigerating machine compartment
	H20A263	H20A263	Rubber button bumper for partition
	H20A75	H20A75	Washer for Cat. H20A263
	I26915	I26915	Screw fastening partition to base (8-32)
9	H20A375	H20A375	Nut for Cat. I26915
	91X648	91X648	Screw fastening partition to bottom of outer case (No. 8)
	279364	279364	Cap screw fastening outer case to base (5/16 in.-18)
	6X814	6X814	Lockwasher for Cat. 279364
	71X272	71X272	Carriage bolt fastening refrigerating machine to base (5/16 in.-18)
	I77811	I77811	Nut for Cat. 71X272
	H18A22	H18A22	Washer for Cat. 71X272
	A2R14	A2R14	Adjustable glider for front of base
	H27A154	H27A152	Grille for base
	H7A414	H7A409	REFRIGERATING MACHINE COMPARTMENT DOOR PANEL
	H20A540	H20A540	Reinforcing plate for Refrig.Mach.Comp.Door

Always Give Catalog Number

**PB12D, PB12E, PB16D, PB16E (Cont.)**

Ref. No.	Catalog Number		Description
	PB12D PB12E	PB16D PB16E	
	91X648	91X648	Screw fastening Cat. H20A540 to Refr. Mach. Comp. Door (No. 8)
10	165736	165736	Washer for Cat. 91X648
	H20A541	H20A541	Spring catch for Refrig. Mach. Comp. Door
	H20A542	H20A542	Spacer between Cat. H20A541 and Refrig. Mach. Comp. Door
	†11X339	†11X339	Screw fastening Cat. H20A541 to Refrig. Mach. Comp. Door (10-30)
	†H20A479	†H20A479	Screw fastening Cat. H20A541 to Refrig. Mach. Comp. Door (10-32)
11	200384	200384	Nut for Cat. 11X339 or H20A479
	H20A543	H20A543	Washer for Cat. 11X339 or H20A479 (7/8 in. O.D.)
	165736	165736	Washer for Cat. 11X339 or H20A479 (5/8 in. O.D.)
	58X391	58X391	Screw fastening Cat. H20A541 to H20A374
12	H18A208	H18A204	Trim with retainers for refrig. mach. comp. door
	H20A488	H20A488	Retainer for trim
	58X804	58X804	Nut for Cat. H20A488
	H20A407	H20A407	Handle for refrig. mach. comp. door
13	H20A138	H20A138	Washer between handle and door
	105113	105113	Screw for Cat. H20A407 (10-32)
	54X441	54X441	Lockwasher for Cat. 105113
	H16A47	H16A47	Hinge for refrig. mach. comp. door
14	H16A48	H16A48	Spacing rod for hinge
	†11X339	†11X339	Screw for hinge (10-30)
	†H20A479	†H20A479	Screw for hinge (10-32)
	H7A263	H7A265	STORAGE BIN DOOR PANEL
15	H31A42	H31A43	Storage bin
	91X648	91X648	Screw fastening storage bin to panel (No. 8)
	165736	165736	Washer for Cat. 91X648
	H20A378	H20A378	Catch for storage bin
16	†H12X2	†H12X2	Screw for Cat. H20A378 (10-30)
	†H20A479	†H20A479	Screw for Cat. H20A378 (10-32)
	H20A138	H20A138	Washer for Cat. H12X2 or H20A479
	46X808	46X808	Stop for storage bin (1/4 in.-20)
17	1X452	1X452	Nut for Cat. 46X808
	30X562	30X562	Lockwasher for Cat. 46X808
	H18A209	H18A205	Trim with retainer for storage bin panel
	H20A488	H20A488	Retainer for Trim
18	58X804	58X804	Nut for Cat. H20A488
	H20A407	H20A407	Handle for Storage Bin panel
	H20A138	H20A138	Washer between Handle and Panel
	105113	105113	Screw for Cat. H20A407 (10-32)
19	54X441	54X441	Lockwasher for Cat. 105113
	H16A47	H16A47	Hinge for Storage Bin Panel
	H16A48	H16A48	Spacing Rod for Hinge
	†11X339	†11X339	Screw for Hinge (10-30)
20	†H20A479	†H20A479	Screw for Hinge (10-32)
	H7A415	H7A410	Outer Door Panel (R.H. Door)
	H7A416	H7A411	Outer Door Panel (L.H. Door)
	H13A184	H13A189	Door Gasket
21	H10A223	H10A223	Door Strip, Latch Side, with Escutcheon for Latch Bolt
	H15A41	H15A41	Escutcheon for Latch Bolt
	H10A224	H10A224	Door Strip, Hinge Side
	H10A225	H10A238	Door Strip, Top or Bottom
22	H20A558	H20A558	Screw for Door Strip (No. 8)
	H9A48	H9A48	Door Corner
	H7A254	H7A261	Inner Door Panel, R.H. Door
	H7A181	H7A185	Inner Door Panel, L.H. Door
23	H15A104	H15A104	Latch with Gasket and Nut
	H15A44	H15A44	Spring for Latch
	H15A45	H15A45	Nut for Latch and Handle
	H13A148	H13A148	Gasket between Latch and Outer Door Panel
24	H20A558	H20A558	Screw Fastening Latch to Door Strip (No. 8)
	NP80196	NP80196	Deluxe Nameplate
	58X370	58X370	Fastener for NP80196
	H20A385	H20A385	Washer for NP80196
25	H20A6	H20A6	Screw for Thermometer Clip (4-48)
	H15A86	H15A86	Latch Handle with Push Plate and Spring
	H15A88	H15A88	Back Plate for Latch Handle
	H15A89	H15A89	Pin Fastening Latch Handle to Back Plate
26	H15A91	H15A91	Escutcheon for Latch Handle
	H13A243	H13A243	Gasket between Back Plate for Latch Handle and Outer Door Panel
	H20A528	H20A528	Washer between Back Plate for Latch Handle and Outer Door Panel (7/16 in. O.D.)
	H20A529	H20A529	Washer between Back Plate for Latch Handle and Outer Door Panel (3/4 in. O.D.)
27	58X397	58X397	Screw Fastening Back Plate for Latch Handle to Outer Door Panel (No. 8)
	H16A45	H16A45	Upper Hinge for R.H. Door or Lower Hinge for L.H. Door
	H16A44	H16A44	Lower Hinge for R.H. Door or Upper Hinge for L.H. Door
	H16A46	H16A46	Spacing Rod for Hinge

Ref. No.	Catalog Number		Description
	PB12D PB12E	PB16D PB16E	
43	†11X339	†11X339	Screw for Hinge (10-30)
	†H20A479	†H20A479	Screw for Hinge (10-32)
	H18A163	H18A163	Trim, Front, L.H. Side
	H18A164	H18A164	Trim, Front, R.H. Side
44	H20A544	H20A544	Shim for Cat. H18A163 or H18A164
	H18A165	H18A165	Trim, Front, Mullion
	H20A545	H20A545	Shim for Cat. H18A165
	H18A171	H18A171	Trim, Front, top cross piece, RH or LH Side
45	H20A546	H20A546	Shim for Trim, Front, Top Cross Piece
	H18A167	H18A172	Trim, Front, Bottom Cross Piece, R.H. Side
	H18A168	H18A173	Trim, Front, Bottom Cross Piece, L.H. Side
	H20A552	H20A547	Shim for Trim, Front, Bottom Cross Piece
46	†11X339	†11X339	Screw for Trim (10-30)
	†H20A479	†H20A479	Screw for Trim (10-32)
	H20A138	H20A138	Washer for Cat. 11X339 or Cat. H20A479
	H10A146	H10A146	Filler Strip between Top Cover Trim and Outer Case R.H. or L.H. Side
47	H20A553	H20A548	Shim for Filler Strip
	†H20A86	†H20A86	Screw for Filler Strip (10-30)
	†H20A573	†H20A573	Screw for Filler Strip (10-32)
	H20A138	H20A138	Washer for Cat. H20A86 or H20A573
48	H14A22	H14A22	Strike for Latch Bolt
	H14A20	H14A20	Strike Case
	H20A558	H20A558	Screw for Strike (No. 8)
	58X310	58X310	Lockwasher for Cat. H20A558
49	1GA21H20	1GA21H20	Door Switch
	H10A226	H10A226	Door Jamb Strip, Hinge Side
	H10A227	H10A227	Door Jamb Strip, Latch Side
	H10A228	H10A239	Door Jamb Strip, Top
50	H10A229	H10A240	Door Jamb Strip, Bottom
	H20A558	H20A558	Screw for Door Jamb Strip (No. 8)
	H20A461	H20A461	Rubber bumper for Evaporator Door
	H9A50	H9A50	Door Jamb Corner
51	H3A131	H3A132	INNER LINER WITH SHELF SUPPORTS
	H17A194	H17A194	Shelf Support, Headed
	H20A600	H20A600	Washer for Cat. H17A194
	H17A195	H17A195	Shelf Support, Straight
52	H12A2	H12A2	Screw for Cat. H17A194 or H17A195 (1/4 in.-20)
	H20A388	H20A388	Support for Vegetable Drawer
	H20A393	H20A393	Shim for Cat. H20A388
	H17A238	H17A238	Shelf Support, Single Slot
53	H20A391	H20A391	Shim for Cat. H17A238
	†H20A159	†H20A159	Screw for Cat. H20A388 or H17A238 (10-30)
	†H20A582	†H20A582	Screw for Cat. H20A388 or H17A238 (10-32)
	58X364	58X364	Lockwasher for Cat. H20A159 or H20A582
54	H20A382	H20A382	Bracket for Lamp Receptacle
	91X648	91X648	Screw for Cat. H20A382 (No. 8)
	H20A281	H20A281	Top Plate for Inner Liner
	105136	105136	Screw Fastening Top Plate or Inner Liner Cover to Inner Liner (10-32)
55	200384	200384	Nut for Cat. 105136
	H20A380	H20A380	Washer for Cat. 105136
	H20A282	H20A282	Bracket for Ice Tray Lifter
	91X648	91X648	Screw for Cat. H20A282 (No. 8)
56	78X719	78X719	Lamp Receptacle
	H20A406	H20A406	Connector with Insulation for Leads
	H19A29	H19A29	Lamp Guard
	H20A49	H20A49	Screw for Cat. H19A29 (No. 8)
57	4A751	4A751	Heater for Mullion (110 Volts)
	H20A589	H20A589	Spring Clip for Mullion Heater
	H17A372	H17A360	Shelf, Top, R.H. Side
	H17A373	H17A361	Shelf, Top, L.H. Side
58	H17A374	H17A362	Sliding Shelf, First from Top, R.H. Side
	H17A375	H17A363	Sliding Shelf, First from Top, L.H. Side
	H17A376	H17A364	Sliding Shelf, Second from Top, R.H. Side
	H17A377	H17A365	Sliding Shelf, Second from Top, L.H. Side
59	H17A299	H17A299	Stop for Sliding Shelf R.H. Side
	H17A300	H17A300	Stop for Sliding Shelf L.H. Side
	H17A378	H17A366	Shelf, Bottom, R.H. or L.H. Side
	H17A267	H17A267	Shelf, Center, First or Second from Top
60	H17A268	H17A268	Shelf, Center, Bottom
	A4R23	A4R23	Cold Storage Tray with Trim
	H18A206	H18A206	Trim for Cold Storage Tray
	H31A45	H31A45	Cover for Cold Storage Tray
61	H31A46	H31A46	Rack for Cold Storage Tray
	H30A167	H30A167	VEGETABLE DRAWER WITH FRONT PANEL
	H30A168	H30A168	Pan only for Vegetable Drawer
	H30A169	H30A169	Front Panel for Vegetable Drawer
62	†H12X2	†H12X2	Screw Fastening H30A169 to H30A168 (10-30)
	†H20A479	†H20A479	Screw Fastening H30A169 to H30A168 (10-32)
	H20A398	H20A398	Washer for Cat. H12X2 or H20A479 (7/16 in. O.D.)
	H20A399	H20A399	Washer for Cat. H12X2 or H20A479 (9/16 in. O.D.)
63	H30A128	H30A128	Frame for Cover for Vegetable Drawer
	H30A129	H30A129	Cover for Vegetable Drawer
	H20A408	H20A408	Support for Vegetable Drawer
	H20A384	H20A384	Rubber Foot for Cat. H20A408
64	H5X20	H5X20	Cabinet Insulation (Kimsul)

† Early Production PB12D and PB16D Cabinets Used 10-30 Screws while later production, and all PB12E and PB16E Cabinets used 10-32 Screws.

# PBS-16A

FOR REFRIGERATING MACHINE PARTS REFER TO \*CE-34E UNIT

NOTE: This is a special Refrigerator for the United States Navy built in limited quantities only.

## Accessories

Quan.	Cat. No.	Description
2	A4R11	Chiller Trays
8	A5R23	Freezing Trays with Flexible Dividers
1	A21R229	Freezing Tray Lifter

## Cabinet Parts

Cat. No.	Description	Cat. No.	Description
H4A59	TOP COVER FOR CABINET	H20A623	Spring Catch for Cat. H7A469
H13A221	Gasket for Top Cover, Front and Sides	I26915	Screw Fastening Spring to Cat. H7A469
H13A222	Gasket for Top Cover, Back	H18A48	Nut for Cat. I26915
H20A367	Clip for Top Cover, Front	58X310	Lockwasher for Cat. I26915
I45995	Screw for Cat. H20A367 (10-32)	H18A205	Trim with Retainer for Cat. H7A469
H20A368	Bracket for Top Cover, Back	H20A488	Retainer for Trim
91X648	Screw Fastening Cat. H20A368 to Top Cover (No. 8)	58X804	Nut for Cat. H20A488
H20A369	Bracket for Outer Case, Back	H16A47	Hinge for Cat. H7A469
91X648	Screw Fastening Cat. H20A369 to Outer Case (No. 8)	H16A48	Spacing Rod for Hinge
20X527	Screw Fastening Cat. H20A368 to H20A369 (1/4 in.-20)	H20A479	Screw for Hinge (10-32)
I4522	Nut for Cat. 20X527	H6A422	DOOR, RIGHT-HAND
I43974	Washer for Cat. 20X527	H6A423	DOOR, LEFT-HAND
H18A170	Trim for Top Cover, Right-Hand Side	H7A470	Outer Door Panel (Right-Hand Door)
H18A169	Trim for Top Cover, Left-Hand Side	H7A471	Outer Door Panel (Left-Hand Door)
58X287	Screw for Cat. H18A170 or H18A169 (No. 8)	H13A189	Door Gasket
NP70481	Nameplate	H10A223	Door Strip, Latch Side, with Escutcheon for Latch Bolt
H8A89	Panel for Outer Case, Right-Hand Side	H15A41	Escutcheon for Latch Bolt
H8A90	Panel for Outer Case, Left-Hand Side	H10A224	Door Strip, Hinge Side
H20A49	Screw for Cat. H8A89 or H8A90, Top or Side (No. 8)	H10A238	Door Strip, Top or Bottom
91X299	Screw for Cat. H8A89 or H8A90, Bottom (No. 8)	H20A558	Screw for Door Strip (No. 8)
H18A38	Washer for Cat. H20A49 or 91X299	H9A48	Door Corner
H20A409	Nut for Cat. 91X299	H7A185	Inner Door Panel
I36979	Screw for Refrigerant Line Sealing Plate (10-24)	H15A104	Latch with Gasket and Nut
H20A370	Support for Refrigerant Line Sealing Plate	H15A44	Spring for Latch
91X648	Screw for Cat. H20A370 (No. 8)	H15A45	Nut for Latch & Handle
H27A191	BASE	H13A148	Gasket between Latch and Outer Door Panel
H20A374	Partition between Storage Bin and Refrigerating Machine Compartment	H20A558	Screw Fastening Latch to Door Strip (No. 8)
H20A263	Rubber Button Bumper for Partition	H20A624	Lock Plate for Door
H20A75	Washer for Cat. H20A263	H20A625	Screw Fastening Lock Plate to Door
H14A22	Strike for Base	H11A251	Tapping Strip for Lock Plate
H20A479	Screw Fastening Strike to Base (10-32)	H20A626	Shim for Lock Plate
200384	Nut for Cat. H20A479	H15A86	Latch Handle with Push Plate and Spring
58X310	Lockwasher for Cat. H20A479	H15A88	Back Plate for Latch Handle
I26915	Screw Fastening Partition to Base (8-32)	H15A89	Pin Fastening Latch Handle to Back Plate
H20A375	Nut for Cat. I26915	H15A91	Escutcheon for Latch Handle
91X648	Screw Fastening Partition to Bottom of Outer Case (No. 8)	H13A243	Gasket between Back Plate for Latch Handle and Outer Door Panel
279364	Cap Screw Fastening Outer Case to Base (5/16 in.-18)	H20A528	Washer between Back Plate for Latch Handle and Outer Door Panel (7/16 in. O.D.)
6X814	Lockwasher for Cat. 279364	H20A529	Washer between Back Plate for Latch Handle and Outer Door Panel (3/4 in. O.D.)
261646	Screw Fastening Refrigerating Machine to Base (5/16 in.-18)	58X397	Screw Fastening Back Plate for Latch Handle and Outer Door Panel (No. 8)
I77811	Nut for Cat. 261646	H16A45	Upper Hinge for RH Door or Lower Hinge for LH Door
H18A22	Washer for Cat. 261646	H16A44	Lower Hinge for RH Door or Upper Hinge for LH Door
H7A468	REFRIGERATING MACHINE COMPARTMENT DOOR PANEL	H16A46	Spacing Rod for Hinge
H20A540	Reinforcing Plate for Cat. H7A468	H20A479	Screw for Hinge (10-32)
91X648	Screw Fastening Cat. H20A540 to Cat. H7A468 (No. 8)	H18A163	Trim, Front, Left-Hand Side
I65736	Washer for Cat. 91X648	H18A164	Trim, Front, Right-Hand Side
H20A541	Spring Catch for Cat. H7A468	H20A544	Shim for Cat. H18A163 or H18A164
H20A542	Spacer between Cat. H20A541 and H7A468	H18A165	Trim, Front, Mullion
H20A479	Screw Fastening Cat. H20A541 to H7A468 (10-32)	H20A545	Shim for Cat. H18A165
200384	Nut for Cat. H20A479	H18A171	Trim, Front, Top Cross Piece, RH or LH Side
H20A543	Washer for Cat. H20A479 (7/8 in. O.D.)	H20A546	Shim for Cat. H18A171
I65736	Washer for Cat. H20A479 (5/8 in. O.D.)	H18A172	Trim, Front, Bottom Cross Piece, RH Side
58X391	Screw Fastening Cat. H20A541 to H20A374 (10-32)	H18A173	Trim, Front, Bottom Cross Piece, LH Side
H18A204	Trim with Retainer for Cat. H7A468	H20A547	Shim for Cat. H18A172 and H18A173
H20A488	Retainer for Trim	H20A479	Screw for Trim (10-32)
58X804	Nut for Cat. H20A488	H20A138	Washer for Cat. H20A479
H16A47	Hinge for Cat. H7A468	H10A146	Filler Strip Between Top Cover Trim and Outer Case, RH or LH Side
H16A48	Spacing Rod for Hinge	H20A548	Shim for Cat. H10A146
H20A479	Screw for Hinge (10-32)	H20A573	Screw for Cat. H10A146 (10-32)
H7A469	STORAGE BIN DOOR PANEL		
H20A540	Reinforcing Plate for Cat. H7A469		
91X648	Screw Fastening Cat. H20A540 to H7A469		
I65736	Washer for Cat. 91X648		

Always Give Catalog Number

**(PBS-16A Cont.)**

<i>Cat. No.</i>	<i>Description</i>	<i>Cat. No.</i>	<i>Description</i>
H20A138	Washer for Cat. H20A573	105136	Screw Fastening Top Plate or Inner Liner Cover to Inner Liner (10-32)
H14A22	Strike for Latch Bolt	200384	Nut for Cat. 105136
H14A20	Strike Case	H20A380	Washer for Cat. 105136
H20A558	Screw for Strike (No. 8)	H20A282	Bracket for Ice Tray Lifter
58X310	Lockwasher for Cat. H20A558	91X648	Screw for Cat. H20A282 (No. 8)
H10A226	Door Jamb Strip, Hinge Side	4A751	Heater for Mullion (115 volts)
H10A227	Door Jamb Strip, Latch Side	H20A589	Spring Clip for Mullion Heater
H10A240	Door Jamb Strip, Top or Bottom	H17A418	Shelf, Top, Left
H20A558	Screw for Door Jamb Strip (No. 8)	H17A419	Shelf, Top, Right
H9A50	Door Jamb Corner	H17A420	Shelf, Second, Third, or Fourth from Top, Left
H3A171	INNER LINER WITH SHELF SUPPORTS	H17A421	Shelf, Second, Third, or Fourth from Top, Right
H17A122	Shelf Support, Straight (3/4 in. long)	H17A296	Spring Clip Fastening Shelf to Back Shelf Support
H20A564	Screw for Shelf Support (1/4 in.-20)	H5X20	Cabinet Insulation (Kimsul, 18' Roll)
H20A568	Washer for Cat. H20A564		
H20A281	Top Plate for Inner Liner		

\* The following additional unit part is used on this machine in this cabinet:

GE2721 Cap for Connection Cord

Always Give Catalog Number



HOUSEHOLD  
REFRIG. MACHINES

# HOUSEHOLD REFRIGERATING MACHINE PARTS

## Model D, DR

TYPE UNIT	COMPLETE ACCESSORIES	MONOGRAM NAMEPLATE	*BELLOWS TUBE CLAMP	FLOAT VALVE CAP	OIL CONDITIONER 110 VOLTS	OIL CONDITIONER 220 VOLTS	CONTROLS				BOX TOP * GASKET	CAPACITOR MOUNTED ON BOX TOP 110V. 60 CY.	CAPACITOR FURNISHED WITH UNIT 110V. 25 CY.
							110 V., 60 CY.	110 V., 25 CY.	115 V., D.C.	230 V., D.C.			
DA-1(SD-40)	11X361	None	58X242	11X326	11X100	None	**3886824	None	None	None	None	None	None
DR-1A	11X119	NP44405	58X242	11X326	11X100	11X205	3880438	None	3881581	2884698	11X357	None	None
DR-1B	11X921	NP44405	58X242	11X326	11X100	11X205	11X438	None	11X405	11X404	11X681	None	None
DR-1E	None	NP44405	JC20H19	11X326	11X100	11X205	MIA96	None	MIA100	MIA99	11X681	None	None
DR-1F	None	NP44405	JC20H19	11X326	11X100	11X205	MIA116	None	MIA141	MIA142	11X357	None	None
D-15A	11X921	NP52471	58X242	11X326	11X100	None	11X780	58X9	None	None	11X72	None	9AC5A
***DR-2	11X103	NP44406	58X241	11X326	11X100	11X205	3656055	3656058	3656057	†3656057	11X74	None	9AC37A
DRA-2A	11X759	NP44406	58X242	11X326	11X100	11X205	11X756	11X755	11X757	11X758	11X74	None	9AC37A
***DR-2E	11X101	NP44408	58X241	11X326	11X100	11X205	3656055	3656058	3656057	†3656057	11X72	None	9AC37A
DR-2F	11X675	NP44406	58X242	11X326	11X100	11X205	11X737	11X736	11X739	11X738	11X72	None	9AC5A
DR-2G	None	NP44406	JC20H19	11X326	11X100	11X205	MIA97	MIA98	MIA101	MIA102	11X72	None	9AC5A
D-2A	11X675	NP52471	58X242	11X326	11X100	11X205	11X737	11X736	11X739	11X738	††11X72	None	9AC5A
D-2B	None	NP52471	JC20H19	11X326	11X100	11X205	MIA97	MIA98	MIA101	MIA102	††11X72	None	9AC5A
DRB-3	11X101	NP52257	58X241	11X326	11X100	None	3656056	None	None	None	11X72	9AC20F	None
DRB-31A	11X675	NP52257	58X242	11X326	11X100	None	58X11	None	None	None	11X72	9AC20F	None
D-31A	11X675	NP55070	58X242	11X326	11X100	None	58X11	None	None	None	11X72	9AC20F	None
DRB-31B	AIR17	NP52257	C20A54	11X326	11X100	None	58X92	None	None	None	11X72	9AC20F	None
D-30A	11X676	NP55070	E20A6	11X326	11X100	11X205	11X460	11X461	11X462	11X463	11X72	9AC20F	9AC8A
D-30E	AIR27	NP55070	C20A54	11X326	11X100	11X205	58X92	58X253	MIA6	MIA83	11X72	9AC20F	9AC8A
D-30F	AIR27	NP52257	C20A54	11X326	11X100	11X205	58X92	58X253	MIA6	MIA83	11X72	9AC20F	9AC8A
D-30G	None	NP52257	JC20H19	11X326	11X100	11X205	58X93	58X254	58X110	58X255	11X72	9AC20F	9AC8A
D-30H	None	NP55070	JC20H19	11X326	11X100	11X205	58X93	58X254	58X110	58X255	11X72	9AC20F	9AC8A
***DR-3	11X102	NP52257	58X241	11X326	11X100	11X205	3656056	3656059	3656057	†3656057	11X72	9AC20F	9AC38A
DRE-3	11X443	NP52257	E20A6	11X326	11X100	11X205	11X460	11X461	11X462	11X463	11X72	9AC20F	9AC8A
DR-35A	11X677	NP52257	E20A6	11X326	11X100	11X205	11X460	11X461	11X462	11X463	11X72	9AC20F	9AC8A
DR-35B	AIR22	NP52257	C20A54	11X326	11X100	11X205	58X93	58X254	58X110	58X255	11X72	9AC20F	9AC8A
D-35A	11X677	NP52257	E20A6	11X326	11X100	11X205	11X460	11X461	11X462	11X463	††11X72	9AC20F	9AC8A
D-35B	AIR22	NP52257	C20A54	11X326	11X100	11X205	58X93	58X254	58X110	58X255	††11X72	9AC20F	9AC8A
DRA-4	11X102	NP52257	58X241	11X326	11X372	None	2884684	None	None	None	11X370	9AC272D	None
D-40A	11X677	NP52257	E20A6	11X326	11X372	None	2884684	None	2884691	None	‡11X370	9AC272D	None
D-40C	11X677	NP52257	E20A6	11X326	11X372	None	2884684	None	2884691	None	‡11X370	9AC272D	None
D-40E	AIR35	NP52257	C20A54	11X326	11X372	11X205	2884684	None	2884691	58X256	‡11X370	9AC272D	None
DRE-4	11X449	NP52257	E20A6	11X326	11X372	None	2884684	None	None	None	11X370	9AC272D	None

\* Catalog M1825 Bolt Sets available for use with Clamp on evaporators with stripped threads. Standard Screw with Washer is 11X782 and it can be used with all clamps except C20A54 which requires C20A57 Screw and C20H19 which requires C20H20 Screw with 58X99 Nut.  
 \*\* Control shown is "D" Type. "E" Type Controls 11X409 for left-hand unit and 11X439 for right-hand unit, also available.  
 \*\*\* To replace "A" Type Controls on same units order "C" Type indicated above, with 11X984 Adapter Plate.  
 † Use 11X243 Overload Heater instead of 11X84.  
 ‡ 11X822 Rubber Button on Gasket also used.  
 †† Some units DRB-3 size and above use NP55070 Monogram Nameplate (clamps over oil conditioner hole) instead of NP52257.  
 † No complete sets of accessories available. Items needed to be furnished from Distributor's stock.  
 ‡ Indicates new style clamp located on third corrugation from front of evaporator. First production of these units used old style clamp A20H2 with 58X47 Screw and 58X99 Nut.  
 ††† 11X264 Rubber button on gasket also used.

### MISCELLANEOUS RENEWAL PARTS

CAT. NO.	NAME OF PART	CAT. NO.	NAME OF PART
11X144	Fusible Plug for Freezing Solution Compartment of Oven Type Evaporators	58X175	Purging Screw for Float Valve
58X22	Evaporator End Plates for D-2 and DR-2F	58X176	Screw Attaching Unit Bottom Plate to Box Top
		11X341	Rubber Bushing for Bellows Tube

## Model CA-1, CA-2

CATALOG NUMBER		NAME OF PART	CATALOG NUMBER		NAME OF PART
CA-1A	CA-1B		CA-1A	CA-1B	
58X46	58X46	Bellows Tube Clamp (Two-hole)	M15A3	M15A3	Crimped Spring Washer to Eliminate Creeping Temperature Knob
58X47	58X47	Screw for 58X46 Clamp	NP57756	NP59190	Escutcheon Plate for Control
58X99	58X99	Nut for 58X47 Screw	58X60	-	Escutcheon Plate Screw
58X33	-	Bellows Tube Clamp (Single-hole)	58X138	11X326	Float Valve Cap
58X34	-	Screw for 58X33 Clamp	58X139	-	Float Valve Cap Adapter Set for Early Form A Units
11X681	11X681	Box Top Gasket (CA-1A and CA-1B)	11X100	11X100	Oil Conditioner
58X204	58X204	Box Top Gasket (CA-2A and CA-2B)	58X35	58X35	Rubber Plug to Cover Oil Conditioner Hole
58X26	-	Connecting Cord (CA-1A)	A20H4	A20H4	Rubber Bushing to Seal Bellows Tube in Bottom Plate
58X140	58X140	Connecting Cord (CA-1B, CA-2A and B)	-	58X143	Screw and Washer Fastening Bottom Plate to Box Top
58X15	58X15	Locking Connector for Relay (or Control)	* 58X14	** 58X121	Starting Relay (110 v. 60 cycle)
58X25	58X117	Control (110 v. 60 cycle)	58X59	58X122	Starting Relay (110 v. 50 cycle)
58X58	58X120	Control (110 v. 50 cycle)	-	58X206	Sealing Screw for Cover on Relay
M15A6	M15A6	Glass Window for Control			
58X142	58X191	Temperature Knob with Screw and Seal			
58X192	58X192	Temperature Knob Seal (Black)			
58X224	58X225	Bellows with Plate, Nut, and Clamp			
-	58X141	Clamp and Screws Fastening Control to Condenser			

\* Cat. M1A162 R relay should be used to replace the original Cat. 58X14 relay. When M1A162 relay is used, accessories, Cat. M15A75, are required. Cat. M15A75 consists of (1) M15A76 mounting bracket, (1) M15A16 clamping spring, (1) M15A77 rubber tubing, (2) 207248 screws and (1) A20H5 terminal screw.

\*\* Cat. M1A162 R relay should be used to replace the original Cat. 58X121 relay. When M1A162 relay is used, accessories, Cat. M15A32, are required. Cat. M15A32 consists of (1) M15A33 backplate, (1) M15A34 "U" bolt, (1) M15A2 gasket, (2) 145996 hex. nuts, (2) 154191 lockwashers, (2) 207248 screws and (1) A20H5 terminal screw.

## Model CE-34M - Machine Parts

CAT. NO.	NAME OF PART	CAT. NO.	NAME OF PART
C20H19	Bellows Tube Clamp	5KY20B14	Fan Motor (with Leads)
C20H20	Screw for C20H19	C20H66	Washer for C2H1 Motor Shaft
5029710AA4	Capacitor	C20H42	Fan Motor Upper Frame Mounting Ferrule
C20H56	Capacitor Rubber Cap	54X261	Fan Motor Upper Frame Mounting Screw
C20H57	Mounting Bracket - Capacitor	165736	Washer for 54X261 Screw
32X675	Screw for C20H57	C20H37	Fan Motor Lower Frame Mounting Ferrule
154194	Lockwasher for 32X675 Screw	C20H36	Fan Motor Lower Frame Mounting Rubber Bushing
MIA155	Control (110 V. 60 Cycle)	154900	Fan Motor Lower Frame Mounting Screw
A20H14	Terminal Screw for MIA155	165736	Washer for 154900 Screw
M15A7	Cover with Screw for Control Terminals	C20H39	Fan Motor Cross-Shaped Mounting Bracket
58X142	Temperature Knob, Screw and Seal for MIA155	143528	Screw for C20H39
58X192	Temperature Knob Seal for MIA155 (Black)	165736	Washer for 143528 Screw
M5A16	Bellows for MIA155	148636	Lockwasher for 143528 Screw
C20A97	Screw and Nut Fastening Control to Escutcheon Plate	C20H40	Fan Motor Cross Arm Strap
C7H1	Fan	C20H38	Ferrule for C20H40
66X132	Fan Set Screw	C20H36	Rubber Bushing for C20H40
C20H54	Fan Housing Baffle	150167	Screw for C20H40
C20H55	Spacer for C20H54 (Wood)	165736	Washer for 150167 Screw
160911	Screw for C20H54	*MIA166	Starting Relay
148636	Lockwasher for 160911 Screw	*A20H3	Mounting Screw and Lockwasher for E Type Relay
NP60940	Escutcheon for Control	*196352	Mounting Nut for E Type Relay

Parts for the fan motor mounting now shown above constitute parts required for the three point live-rubber mounting of the fan motor on the machine case. This type of mounting used in early production can be replaced by the two point solid mounting on the machine case using steel spacers as furnished in later production. The following parts are required:

CAT. NO.	NO. REQ.	DESCRIPTION	CAT. NO.	NO. REQ.	DESCRIPTION
C20H42	1	Fan Motor Frame Mounting Bushing	C20H44	1	Fan Motor Mounting Bracket (Strap Iron)
C20H64	2	Fan Motor Frame Mounting Steel Spacer	143528	2	Screw for C20H44
58X342	2	Fan Motor Frame Mounting Screw	165736	2	Washer for 143528 Screw
1405392	2	Washer for 58X342 Screw	148636	2	Lockwasher for 143528 Screw
154191	2	Lockwasher for 58X342 Screw			

In the latest production the fan motors are mounted with a two point solid mounting on the machine case using a special bracket welded on the case with the following replacement parts:

CAT. NO.	NO. REQ.	DESCRIPTION	CAT. NO.	NO. REQ.	DESCRIPTION
C20H61	2	Fan Motor Frame Mounting Bushing	154194	2	Lockwasher for C20H62 Screw
C20H62	2	Fan Motor Frame Mounting Cap Screw	C20H63	2	Nut for C20H62 Screw
160980	4	Washer for C20H62 Screw			

\*When Cat. MIA166 R relay is used to replace the original Cat. MIA64 E relay accessories Cat. M15A31 are required. Cat. M15A31 consists of (1) M15A16 clamping spring, (1) M15A19 Backplate, and (1) M15A24 mounting plate with screw, nut, and lockwasher.

## Model CE-34A, CE-34B, CE-34C, CE-340A, CE-340B—Machine Parts

CAT. NO.	NAME OF PART	CAT. NO.	NAME OF PART
C20H19	Bellows Tube Clamp	M15A59	Escutcheon Plate (Blank Plate across Top of Evaporator)(CE-34B, CE-34C)
C20H20	Screw for C20H19	C20H70	Screw and Nut fastening Escutcheon Plate to Evaporator
5029710AA4	Capacitor (CE-34A, CE-340A)	E6H1	Evaporator Door with Handle and Hinge Assembled (CE-34A)
C20H72	Capacitor Cover (CE-34A, CE-340A)	E6H7	Handle with Retainer and Gasket for E6H1
C20H57	Capacitor Clamp (CE-34A, CE-340A)	E6H10	Hinge with Spring, Pin and Screws for E6H1
32X675	Screw for C20H57 (CE-34A, CE-340A)	C20H77	Screw for Hinge
154194	Lockwasher for 32X675 (CE-34A, CE-340A)	E6H15	Evaporator Door with Handle and Hinge Assembled (CE-34B, CE-34C)
A3H10	Cable to Connect Capacitor to Relay (CE-34A, CE-340A)	E6H19	Handle with Retainer, Gasket and Screws for E6H15
A3H8	Connecting Cord (CE-34A, CE-34B, CE-34C)	E6H10	Hinge with Spring, Pin and Screws for E6H15
A3H9	Connecting Cord (CE-340A, CE-340B)	C20H77	Screw for Hinge
M1A165	Control (110 V. 60 cycle)(CE-34A, CE-34B, CE-34C)	C7H2	Fan (Blades only)
A20H14	Terminal Screw for M1A165	175541	Screw fastening Fan to motor
M15A7	Cover with Screw for Control Terminals	154190	Lockwasher for 175541 Screw
M15A13	Temperature Knob, Screw and Seal for M1A165	5K61YA2	Fan Motor (CE-34A, CE-340A)
M15A14	Temperature Knob Seal for M1A165 (Blue)	5K61YA1	Fan Motor (CE-34B, CE-34C, CE-340B)
58X250	Bellows for M1A165	145995	Screw fastening Fan Motor to Case
M1A155	Control (110 V. 60 cycle)(CE-340A, CE-340B)	C20H71	Nut for 145995 Screw
A20H14	Terminal Screw for M1A155	*M1A165	Starting Relay (110 V. 60 cycle)
M15A7	Cover with Screw for Control Terminals	M15A13	Starting Relay Spring Clip
58X142	Temperature Knob, Screw, and Seal for M1A155	M15A19	Starting Relay Backplate
58X192	Temperature Knob Seal for M1A155 (Black)	A20H14	Terminal Screw for Relay (Regular)
M5A16	Bellows for M1A155	A20H5	Terminal Screw for Relay (Special, long)
C20A97	Screw fastening Control to Escutcheon Plate	M15A18	Connector for Relay
E6H12	Drip Trough with Attaching Clips for Evaporator		
NP71668	Escutcheon Plate for Control (CE-34A)		
M15A57	Escutcheon Plate for Control (CE-34B, CE-34C)		
NP1676	Escutcheon Plate (Blank Plate across Top of Evaporator)(CE-34A)		

\*Early 1938 production units used the N type relay. When replacing with the R type relay the following accessories are required: (1) M15A19 Back Plate, (1) M15A20 "U" bolt, (1) M15A21 Clamping strap, and (2) 66X712 Wing Nuts.

## Model CF-1B, CF-1C, CF-1D, CF-2B, CF-2C, CF-2D—Machine Parts

CAT. NO.	NAME OF PART	CAT. NO.	NAME OF PART
A20H2	Bellows Tube Clamp (Old Style CF-1B, CF-2B)	C20H22	Evaporator Door with Handle and Hinges (CF-1C)
C20H2	Screw for A20H2	**C20H29	Evaporator Door with Handle and Hinges (High Light)(CF-2C, CF-2D)
C20H3	Nut for C20H2 Screw	E6H2	Evaporator Door with Handle and Hinges (CF-1D)
C20H19	Bellows Tube Clamp (New Style)	E6H9	Handle with Retainer and Gasket for E6H2
C20H20	Screw for C20H19	C20H60	Hinge with Pin, Spring and Screws for C20H29
A3H4	Connecting Cord	C20H24	Screw for C20H60 Hinge
49X562	Connector Block for Control and Cabinet Light Circuit	E6H10	Hinge with Pin, Spring and Screws for E6H2
M1A78	Control (110 V. 25, 50, or 60 cycle)	C20H77	Screw for E6H10 Hinge
A20H14	Terminal Screw for M1A78	C20H25	Evaporator Door Hinge Guard for C20H22 or C20H29
M15A7	Cover with Screw for Control Terminals	11X326	Float Valve Cap
58X142	Temperature Knob, Screw and Seal for M1A78	C20H6	Rubber Spacer for Refrigerant Tube Only
58X192	Temperature Knob Seal for M1A78 (Black)	C20H5	Rubber Spacer for Refrigerant Tube and Motor Cable
58X250	Bellows for M1A78	A20H15	Rubber Bumper with Screw and Washer for Condenser
C20A97	Screw with Nut fastening Control to Escutcheon Plate	*M1A162	Starting Relay (110 V. 50 or 60 cycle)
NP60532	Escutcheon Plate for Control (CF-1B)	*M1A170	Starting Relay (110 V. 25 cycle)
NP64072	Escutcheon Plate for Control (CF-1C)	A20H5	Terminal Screw for Relay
NP67686	Escutcheon Plate for Control (CF-1D)	*A20H3	Screw with Lockwasher for mounting Original E type Relay
NP62275	Escutcheon Plate for Control (CF-2B)	A20H6	Locking Plate with Nut for E type Relay Leads
NP64073	Escutcheon Plate for Control (CF-2C)	C20H65	Tube Seal Clamping Plate (Furnished with Form D and Later Replacement Units)
NP67685A	Escutcheon Plate for Control (CF-2D)		
C20H1	Screw with Nut Fastening Escutcheon Plate to Evaporator (CF-2B, CF-2C)		

\*When Cat. M1A162 or M1A170 R type relays are used to replace the original E type relays, Cat. M1A62 (60 cycle) and Cat. M1A113 (25 cycle) respectively, accessories Cat. M15A27 are required. Cat. M15A27 consists of (1) M15A16 Clamping spring and (1) M15A23 backplate. The N type relay may also be used to replace the original E type relay and the following accessories are required: (1) M15A24 mounting plate, screw, nut and lockwasher, (1) M15A22 "U" bolt, (2) 66X712 Wing nuts and (1) M15A21 Clamping strap.

\*\*Not Available - Use E6H1 Evaporator Door.

Always Give Catalog Number

## Model CF-1E, CF-1G, CF-2E, CF-2G, CF-28A, CF-28C—Machine Parts

CAT. NO.	NAME OF PART	CAT. NO.	NAME OF PART
C20H19	Bellows Tube Clamp (CF-1E, CF-2E, CF-28A)	E6H14	Evaporator Door with Handle and Hinge - Aluminum Finish (CF-1G)
M15A54	Bellows Tube Clamp with Tel-A-Frost Indicator (CF-1G, CF-2G, CF-28C)	E6H16	Evaporator Door with Handle and Hinge - DeLuxe - White Finish (CF-1G)
C20H20	Screw for C20H19 or M15A54	E6H13	Evaporator Door with Handle and Hinge - Aluminum Finish (CF-2G, CF-28C)
A3H6	Connecting Cord	E6H15	Evaporator Door with Handle and Hinge - DeLuxe - White Finish (CF-2G, CF-28C)
M1A163	Control (110 V. 25, 50 or 60 cycle)	E6H9	Handle with Retainer and Gasket for E6H2
A20H14	Terminal Screw for M1A163	E6H7	Handle with Retainer and Gasket for E6H1
M15A7	Cover with Screw for Control Terminal	E6H19	Handle with Retainer, Gasket and Screws for E6H13, E6H14, E6H15, E6H16
M15A13	Temperature Knob, Screw and Seal for M1A163	E6H10	Hinge with Spring, Pin, and Screws for Evaporator Doors
M15A14	Temperature Knob Seal (Blue) for M1A163	C20H77	Screw for Hinge
58X250	Bellows for M1A163	C20H67	Removable Evaporator Shelf (CF-2E & G, CF-28A & C)
C20H75	Screw to Attach Control to Escutcheon Plate	C20H68	Shelf Support for C20H67
NP71666	Escutcheon Plate for Control (CF-1E)	C20H69	Screw for C20H68
NP71668	Escutcheon Plate for Control (CF-2E, CF-28A)	H20A243	Rubber Bumper for Back of Condenser
M15A55	Escutcheon Plate for Control - Aluminum Finish (CF-1G)	58X356	Screw for H20A243
M15A56	Escutcheon Plate for Control - DeLuxe - White Finish (CF-1G)	80X132	Washer for 58X356
M15A57	Escutcheon Plate for Control - Aluminum Finish (CF-2G, CF-28C)	*M1A162	Starting Relay (110 V. 50 or 60 cycle)
M15A58	Escutcheon Plate for Control - DeLuxe - White Finish (CF-2G, CF-28C)	*M1A170	Starting Relay (110 V. 25 cycle)
C20H70	Screw and Nut, Fastening Escutcheon Plate to Evaporator	A20H14	Terminal Screw for Relay (Regular)
E6H2	Evaporator Door with Handle and Hinge (CF-1E)	A20H5	Terminal Screw for Relay (Special, long)
E6H1	Evaporator Door with Handle and Hinge (CF-2E, CF-28A)	M15A16	Clamping Spring for "R" Type Relay (CF-1G, CF-2G, CF-28C)
		M15A23	Relay Backplate (CF-1G, CF-2G, CF-28C)

\*Early 1938 production units used the M type relay. When replacing with the R type relay, accessories Cat. M15A27 are required. M15A27 consists of (1) M15A16 Clamping spring clip and (1) M15A23 backplate.

## Model CG-1A, CG-1B—Machine Parts

CAT. NO.	NAME OF PART	CAT. NO.	NAME OF PART
C15H2	Aluminum Wire Band to Cover Joint Between Compressor Case and Box Top	C20H7	Control Push Rod (Less Knob)
C15H1	Band for Center of Compressor Case	C11H1	Gasket for C20H7
C20H13	Screw for C15H1	C20H8	Knob for C20H7
A20H2	Bellows Tube Clamp (Old Style) (CG-1A)	C20H10	Control Bracket and Mounting Plate
C20H2	Screw for A20H2	C20H11	Screw Fastening C20H10 to Bottom Plate
C20H3	Nut for C20H2	A20H5	Screw Fastening Control Panel to Bracket
C20H19	Bellows Tube Clamp (New Style)	C20H14	Cover Plate for Float Valve Purging Screw
C20H20	Screw for C20H19	C11H3	Gasket for C20H14
C11H2	Box Top Gasket	C20H15	Screw for C20H14
M1A80	Control and Relay (110 V. 50 or 60 cycle)	NP62450	Escutcheon Plate for Control
C20H9	Temperature Adjusting Screw with Washer	C20H16	Screw for Escutcheon Plate
M5A12	Bellows for M1A80 Control	C20H12	Screw Fastening Wood Frame to Box Top

Always Give Catalog Number

## Model CH-1A, CJ-1A — Machine Parts

<u>CAT. NO.</u>	<u>NAME OF PART</u>	<u>CAT. NO.</u>	<u>NAME OF PART</u>
C20H19	Bellows Tube Clamp	C20H33	Screw Fastening Escutcheon Plate to Bracket
C20H20	Screw for C20H19	C20H58	Washer for C20H33 Screw
49X562	Connector Block for Control and Cabinet Light Circuit	C20H35	Nut for C20H33 Screw
A3H4	Connecting Cord	C7H1	Fan only for C2H1 Motor (CH-1A)
MIA78	Control (110 V. 50 or 60 Cycle	66X132	Fan Set Screw (CH-1A)
A20H14	Terminal Screw for MIA78	C2H1	Fan Motor with Leads (Model 5KY20B14) (CH-1A)
M15A7	Cover with Screw for Control Terminal	C20H66	Washer for C2H1 Motor Shaft (CH-1A)
58X142	Temperature Knob, Screw and Seal for MIA78	11X326	Float Valve Cap
58X192	Temperature Knob Seal for MIA78 (Black)	A20H15	Rubber Bumper with Screw and Washer for Condenser
58X250	Bellows for MIA78	C20H6	Rubber Spacer for Refrigerant Tube Only
C20H30	Control Bracket Plate	C20H5	Rubber Spacer for Refrigerant Tube and Motor Cable
C20H32	Screw Fastening Control to Bracket	*MIA162	Starting Relay (110 V. 50 or 60 cycle)
C20H31	Screw Fastening Control and Escutcheon Plate to Bracket	A20H5	Terminal Screw for Relay
C20H34	Nut for C20H31 Screw	*A20H3	Screw with Lockwasher for Mounting E Type Relay
NP67687	Escutcheon Plate for Control	A20H6	Locking Plate with Nut for E Type Relay Leads

Various types of fan motor mountings have been used with CH-1A Units. The three point live rubber mounting on machine case and two point solid mounting on machine case as used in early production can be replaced by the two point solid mounting on machine case using steel spacers. The following parts are required:

<u>CAT. NO.</u>	<u>NO. REQ.</u>	<u>DESCRIPTION</u>	<u>CAT. NO.</u>	<u>NO. REQ.</u>	<u>DESCRIPTION</u>
C20H42	2	Fan Motor Frame Mounting Bushing	C20H44	1	Fan Motor Mounting Bracket (Strap Iron)
C20H64	2	Fan Motor Frame Mounting Steel Spacer	143528	2	Screw for C20H44
58X342	2	Fan Motor Frame Mounting Screw	165736	2	Washer for 143528 Screw
1405392	2	Washer for 58X342 Screw	148636	2	Lockwasher for 143528 Screw
154191	2	Lockwasher for 58X342 Screw			

In later production the fan motors on CH-1A Units were mounted with a two point solid mounting on cabinet base upright which has the following replacement parts:

C20H42	1	Fan Motor Frame Mounting Bushing	165736	4	Washer for 48X179 Screw
48X179	2	Fan Motor Frame Mounting Screw	154191	2	Lockwasher for 48X179 Screw

In the latest production the fan motors on CH-1A units are mounted with a two point solid mounting on the machine case using a special bracket welded on the case with the following replacement parts:

C20H61	2	Fan Motor Frame Mounting Bushing	154194	2	Lockwasher for C20H62 Screw
C20H62	2	Fan Motor Frame Mounting Cap Screw	C20H63	2	Nut for C20H62 Screw
160980	4	Washer for C20H62 Screw			

\*When Cat. MIA162 R relay is used to replaced the original MIA62 E relay, accessories Cat. M15A31 are required. M15A31 consists of (1) M15A16 Clamping Spring, (1) M15A19 Backplate, (1) M15A24 Mounting plate with screw, nut, and lockwasher.

\*\*The original motor, Cat. C2H1 may be replaced with model 5K61YA1 motor. When making this substitution it is necessary to use accessories Cat. C20H74 to adapt the motor to the unit. A Cat. C7H2 fan should also be ordered to use with model 5K61YA1 motor.

Always Give Catalog Number

## Model CH-1B, CH-1C, CJ-1B, CJ-1C—Machine Parts

<u>CAT. NO.</u>	<u>NAME OF PART</u>	<u>CAT. NO.</u>	<u>NAME OF PART</u>
C20H19	Bellows Tube Clamp	E6H11	Hinge with Spring, Pin and Screws for E6H3 (CJ-1B)
C20H20	Screw for C20H19	C20H77	Screw for E6H11
A3H11	Connecting Cord (CH-1B, CH-1C)	5K61YA1	Fan Motor (CH-1B, CH-1C)
A3H5	Connecting Cord (CJ-1B, CJ-1C)	I45995	Screw Fastening Fan Motor to Case (CH-1B, CH-1C)
M1A163	Control (110 V. 50 or 60 cycle)	I54191	Lockwasher for I45995 Screw (CH-1B, CH-1C)
A20H14	Terminal Screw for M1A163	C20H71	Nut for I45995 Screw (CH-1B, CH-1C)
M15A7	Cover with Screw for Control Terminals	C7H2	Fan Only (CH-1B, CH-1C)
M15A13	Temperature Knob, Screw and Seal for M1A163	I75541	Screw Fastening Fan to Motor (CH-1B, CH-1C)
M15A14	Temperature Knob Seal for M1A163 (Blue)	I54190	Lockwasher for I75541 Screw (CH-1B, CH-1C)
58X250	Bellows for M1A163	*M1A162	Starting Relay (110 V. 50 or 60 cycle)
C20H75	Screw Fastening Control to Escutcheon Plate	A20H14	Terminal Screw for M1A162 (Regular)
NP71664	Escutcheon Plate for Control (CH-1B, CJ-1B)	A20H5	Terminal Screw for M1A162 (Special, long)
M15A57	Escutcheon Plate for Control (CH-1C, CJ-1C)	M15A16	Clamping Spring for "R" Type Relay (CH-1C, CJ-1C)
C20H70	Screw and Nut Fastening Escutcheon Plate to Evaporator	M15A19	Relay Backplate (CH-1C, CJ-1C)
E6H3	Evaporator Door with Handle and Hinges (CJ-1B)	H20A243	Rubber Bumper for Back of Condenser
E6H8	Handle with Retainer and Gasket for E6H3 (CJ-1B)	58X356	Screw for H20A243
		80X132	Washer for 58X356

\*Early 1938 production CH-1B and CJ-1B units used the M type relay. When replacing with the R type relay accessories Cat. M15A25 are required. Cat. M15A25 consists of (1) M15A19 backplate, (1) M15A20 "U" bolt, and (2) 66X712 wing nuts.

## Model CE-140A, CE-140B—Machine Parts

<u>CAT. NO.</u>	<u>NAME OF PART</u>	<u>CAT. NO.</u>	<u>NAME OF PART</u>
C20H19	Bellows Tube Clamp	C20H34	Nut for C20H73 Screw (CE-140A)
C20H20	Screw for C20H19	C20H70	Screw and Nut Fastening Escutcheon Plate to Evaporator (CE-140B)
A3H5	Connecting Cord	C7H2	Fan Blades Only
M1A163	Control (110 V. 50 or 60 cycle)	I75541	Screw Fastening Fan to Motor (8-36)
A20H14	Terminal Screw for M1A163	I54190	Lockwasher for I75541
M15A7	Cover with Screw for Control Terminals	5K61YA1	Fan Motor
M15A13	Temperature Knob, Screw and Seal for M1A163	I45995	Screw Fastening Fan Motor to Case (10-32)
M15A14	Temperature Knob Seal for M1A163 (White)	I54191	Lockwasher for I45995 Screw
58X250	Bellows for M1A163	C20H71	Nut for I45995 Screw
NP71664	Escutcheon Plate for Control (CE-140A)	*M1A163	Starting Relay (110 V. 50 or 60 cycle)
M15A57	Escutcheon Plate for Control (CE-140B)	A20H14	Terminal Screw for M1A163 (Regular)
C20A97	Screw Fastening Control to Escutcheon Plate (CE-140A)	A20H5	Terminal Screw for M1A163 (Extra long)
C20H73	Screw Fastening Escutcheon Plate to Evaporator (CE-140A)	M15A16	Clamping Spring for Relay
		M15A19	Relay Backplate

\*Early 1938 production CE-140A units used the K type relay, when replacing with the R type relay accessories Cat. M15A25 are required. Cat. M15A25 consists of (1) M15A19 backplate, (1) M15A20 "U" bolt and (2) 66X712 wing nuts.

Always Give Catalog Number

## Model CK-1B, CK-1C, CK-1D, CK-2B, CK-2C, CK-2D—Machine Parts

CAT. NO.	NAME OF PART	CAT. NO.	NAME OF PART
A20H2	Bellows Tube Clamp (Old Style) (CK-1B, CK-2B)	NP64100	Escutcheon Plate for Control (CK-1C, CK-2C, CK-1D, CK-2D)
58X47	Screw for A20H2	C20H22	Evaporator Door with Handle and Hinges (CK-1C)
58X99	Nut for 58X47 Screw	**C20H29	Evaporator Door with Handle and Hinges (CK-2C)
C20H19	Bellows Tube Clamp (New Style)	E6H2	Evaporator Door with Handle and Hinges (CK-1D)
C20H20	Screw for C20H19	E6H1	Evaporator Door with Handle and Hinges (CK-2D)
11X681	Box Top Gasket (CK-1)	E6H9	Handle with Retainer and Gasket for E6H2
58X204	Box Top Gasket (CK-2)	E6H7	Handle with Retainer and Gasket for E6H1
A3H3	Connecting Cord	C20H60	Hinge with Pin, Spring and Screws for C20H29
MIA61	Control (110 V. 25, 50 or 60 cycle) (CK-1B, CK-2B)	C20H24	Screw for C20H60 Hinge
MIA120	Control (110 V. 25, 50 or 60 cycle) (CK-1C, CK-1D)	E5H10	Hinge with Pin, Spring and Screws for E6H2 and E6H1
MIA121	Control (110 V. 25, 50 or 60 cycle) (CK-2C, CK-2D)	C20H77	Screw for E6H10 Hinge
MIA151	Control (115 V. D.C.) (CK-1C, CK-2C)	C20H25	Evaporator Door Hinge Guard for C20H22 and C20H29
MIA152	Control (230 V. D.C.) (CK-1C, CK-2C)	11X326	Float Valve Cap
A20H14	Terminal Screw for Control	A20H4	Rubber Bushing to Seal Bellows Tube in Bottom Plate
M15A7	Cover with Screw for Control Terminals	58X143	Screw with Washer Fastening Bottom Plate to Box Top
58X191	Temperature Knob, Screw and Seal for MIA61	11X207	Seven-Way Receptacle for D.C. Units
M15A9	Temperature Knob, Screw and Seal for MIA120, MIA121, MIA151, and MIA152	*MIA162	Starting Relay (110 V. 50 or 60 cycle)
58X192	Temperature Knob Seal for 58X191 (Black)	*MIA170	Starting Relay (110 V. 25 cycle)
M15A10	Temperature Knob Seal for M15A9 (Red)	A20H5	Terminal Screw for Relay
58X247	Bellows for MIA61	A20H3	Screw and lockwasher Fastening Relay to condenser
M5A3	Bellows for MIA120	A20H6	Locking Plate with Nut Holding Leads in Bottom of E Type Relay
M5A4	Bellows for MIA121		
58X248	Bellows for MIA151 and MIA152		
58X141	Clamp with Screws Fastening Control to Condenser		
NP59190	Escutcheon Plate for Control (CK-1B, CK-2B)		

\*When this R type relay is used to replace the original E type relay, Cat. MIA62 (60 cycle) or Cat. MIA113 (25 cycle), accessories Cat. M15A28 are required. Cat. M15A28 consists of (1) M15A19 backplate, (1) M15A20 "U" bolt, (1) M15A29 Mounting Plate and (2) 66X712 wing nuts.

\*\*Not Available. Use E6H1 Evaporator Door

## Model CK-26A, CK-26B, CK-28A, CK-28B—Machine Parts

CAT. NO.	NAME OF PART	CAT. NO.	NAME OF PART
C20H19	Bellows Tube Clamp	**C20H29	Evaporator Door with Handle and Hinge (CK-26A, CK-28A)
C20H20	Screw for C20H19	E6H1	Evaporator Door with Handle and Hinge (CK-26B, CK-28B)
C11H4	Box Top Gasket (CK-26)	E6H7	Handle with Retainer and Gasket for E6H1
C11H5	Box Top Gasket (CK-28)	E6H10	Hinge with Spring, Pin and Screws for E6H1
A3H3	Connecting Cord (CK-26A, CK-28A)	C20H77	Screw for E6H10 Hinge
A3H12	Connecting Cord (CK-26B, CK-28B)	C20H60	Hinge with Spring, Pin and Screws for C20H29
MIA121	Control (110 V. 25, 50 or 60 cycle)	C20H24	Screw for C20H60 Hinge
A20H14	Terminal Screw for MIA121	11X326	Float Valve Cap
M15A7	Cover with Screw for Control Terminals	A20H4	Rubber Bushing to Seal Bellows Tube in Bottom Plate
M15A9	Temperature Knob, Screw and Seal for MIA121	58X143	Screw with washer Fastening Bottom Plate to Box Top
M15A10	Temperature Knob Seal for MIA121 (red)	*MIA162	Starting Relay (110 V. 50 or 60 cycle)
M5A4	Bellows for MIA121	*MIA170	Starting Relay (110 V. 25 cycle)
58X141	Clamp with Screws Fastening Control to Condenser	A20H5	Terminal Screw for Relay
NP67685B	Escutcheon Plate (Top Front of Evaporator) (CK-26A, CK-28A)	A20H3	Screw and Lockwasher Fastening Relay to Condenser
NP71676	Escutcheon Plate (Top Front of Evaporator) (CK-26B, CK-28B)	A20H6	Locking Plate with Nut Holding Leads in Bottom of E Type Relay
C20H43	Screw for Escutcheon Plate		
C20H34	Nut for C20H43 Screw		
NP66091	Escutcheon Plate for Control		

\*When this R type relay is used to replace the original E type relay, Cat. MIA62 (60 cycle) or Cat. MIA113 (25 cycle), accessories Cat. M15A28 are required. Cat. M15A28 consists of (1) M15A19 backplate, (1) M15A20 "U" bolt, (1) M15A29 mounting plate and (2) 66X712 wing nuts.

\*\*Not Available. Use E6H1 Evaporator Door.

Always Give Catalog Number



## Model CK-30B, CK-35B—Machine Parts

CAT. NO.	NAME OF PART	CAT. NO.	NAME OF PART
C20A54	Bellows Tube Clamp	58X252	Bellows for MIA10
58X47	Screw for C20A54	58X141	Clamp with Screws Fastening Control to Condenser
58X99	Nut for 58X47 Screw	NP59190	Escutcheon Plate for Control
58X196	Box Top Gasket	11X326	Float Valve Cap
5029710AA4	Capacitor	A20H4	Rubber Bushing to Seal Bellows Tube in Bottom Plate
A3H1	Connecting Cord	58X195	Screw with Washer Fastening Bottom Plate to Box Top
58X15	Locking Connector for Relay	*MIA166	Starting Relay (110 V. 50 or 60 cycle)
MIA10	Control (110 V. 50 or 60 Cycle)	58X206	Sealing Screw for Cover on E Type Relay
58X191	Temperature Knob, Screw, and Seal for MIA10		
58X192	Temperature Knob Seal for MIA10 (Black)		

\*When this R type relay is used to replace the original Cat. MIA11E type relay accessories Cat. M15A32 are required. M15A32 consists of (1) M15A33 backplate, (1) M15A34 "U" bolt, (1) M15A2 gasket, (2) 145996 Hex. nuts, (2) 154191 lockwashers, (2) 207248 screws and (1) A20H5 terminal screw.

## Model CK-30C, CK-30D, CK-30E, CK-35C, CK-35D, CK-35E—Machine Parts

CAT. NO.	NAME OF PART	CAT. NO.	NAME OF PART
A20H2	Bellows Tube Clamp (Old Style CK-30C, CK-35C)	C20H27	Drain Attaching Clamp
58X47	Screw for A20H2	C20H28	Nut for C20H27 Clamp
58X99	Nut for 58X47	NP59190	Escutcheon Plate for Control (CK-30C, CK-35C)
C20H19	Bellows Tube Clamp (New Style)	NP64100	Escutcheon Plate for Control (CK-30D, CK-35D)
C20H20	Screw for C20H19	NP66091B	Escutcheon Plate for Control (CK-30E, CK-35E)
58X196	Box Top Gasket	**C20H29	Evaporator Door with Handle and Hinges (CK-30D)
5029710AA4	Capacitor	E6H1	Evaporator Door with Handle and Hinges (CK-30E)
A3H3	Connecting Cord	E6H7	Handle with Retainer and Gasket for E6H1
MIA63	Control (110 V. 50 or 60 cycle)(CK-30C, CK-35C)	E6H10	Hinge with Spring, Pin and Screws for E6H1
MIA122	Control (110 V. 25, 50 or 60 cycle)(CK-30D, CK-35D, CK-30E, CK-35E)	C20H77	Screw for E6H10 Hinge
MIA151	Control (115 V. D.C.) (CK-30D, CK-35D)	C20H50	Hinge with Spring, Pin and Screws for C20H29
MIA152	Control (230 V. D.C.) (CK-30D, CK-35D)	C20H24	Screw for C20H50 Hinge
A20H14	Terminal Screw for Control	11X326	Float Valve Cap
M15A7	Cover with Screw for Control Terminals	A20H4	Rubber Bushing to Seal Bellows Tube in Bottom Plate
58X191	Temperature Knob, Screw and Seal for MIA63	58X143	Screw and Washer Holding Bottom Plate to Box Top
M15A9	Temperature Knob, Screw and Seal for MIA122, MIA151, MIA152	11X207	Seven-Way Receptacle for D.C. Units
58X192	Temperature Knob Seal for 58X191 (Black)	*MIA166	Starting Relay (110 V. 50 or 60 cycle)
M15A10	Temperature Knob Seal for M15A9 (Red)	*MIA184	Starting Relay (110 V. 25 cycle)(CK-30D, CK-35D, CK-30E, CK-35E)
58X248	Bellows for Control	A20H5	Terminal Screw for Relay
58X141	Clamp with Screws Fastening Control to Condenser	A20H3	Screw and Lockwasher Fastening E Type Relay to Condenser
C20H21	Drain for Evaporator Tubing	A20H6	Locking Plate with Nut Holding Leads in Bottom of E Type Relay.
C20H26	Drain Less Attaching Clamp		

\*When this R type relay is used to replace the original E type relay, Cat. MIA64 (60 cycle) or MIA154 (25 cycle), accessories Cat. M15A28 are required. Cat. M15A28 consists of (1) M15A19 backplate, (1) M15A20 "U" bolt, (1) M15A29 mounting plate and (2) 66X712 wing nuts.

\*\*Not Available. Use E6H1 Evaporator Door.

## Model CK-15A—Machine Parts

CAT. NO.	NAME OF PART	CAT. NO.	NAME OF PART
C20H19	Bellows Tube Clamp	NP59190	Escutcheon Plate for Control
C20H20	Screw for C20H19	11X326	Float Valve Cap
58X204	Box Top Gasket	A20H4	Rubber Bushing to Seal Bellows Tube in Bottom Plate
A3H3	Connecting Cord	58X143	Screw and Washer Fastening Bottom Plate to Box Top
MIA130	Control (110 V. 50 or 60 cycle)	*MIA162	Starting Relay (110 V. 50 or 60 cycle)
A20H14	Terminal Screw for MIA130	A20H5	Terminal Screw for Relay
M15A7	Cover with Screw for Control Terminals	A20H3	Screw and Lockwasher Fastening Relay to Condenser
M15A11	Temperature Knob, Screw and Seal for MIA130	A20H6	Locking Plate with Nut Holding Leads in Bottom of E Type Relay
M15A12	Temperature Knob Seal for MIA130 (White)		
M5A3	Bellows for MIA130		
58X141	Clamp with Screws Fastening Control to Condenser		

\*When this R type relay is used to replace the original E type relay, Cat. MIA62, accessories Cat. M15A28 are required. Cat. M15A28 consists of (1) M15A19 backplate, (1) M15A20 "U" bolt, (1) M15A29 Mounting Plate and (2) 66X712 wing nuts.

Always Give Catalog Number

## Model DK-1A - Machine Parts

<u>CAT. NO.</u>	<u>NAME OF PART</u>	<u>CAT. NO.</u>	<u>NAME OF PART</u>
A20H2	Bellows Tube Clamp (Old Style)	58X192	Temperature Knob Seal for MIA95 (Black)
C20H2	Screw for A20H2 Clamp	58X250	Bellows for MIA95
C20H3	Nut for C20H2 Screw	C20A97	Screw with Nut Fastening Control to Escutcheon Plate
C20H19	Bellows Tube Clamp (New Style)	NP60532	Escutcheon Plate for Control
C20H20	Screw for C20H19 Clamp	*MIA162	Starting Relay (110 V. 50 or 60 cycle)
MIA95	Control (110 V. 50 or 60 cycle)	A20H5	Terminal Screw for Relay
A20H14	Terminal Screw for MIA95		
58X142	Temperature Knob, Screw and Seal for MIA95		

\*When this R type relay is used to replace the original E type relay Cat. MIA62, accessories Cat. M15A28 are required. Cat. M15A28 consists of (1) M15A19 backplate, (1) M15A20 "U" volt, (1) M15A29 mounting plate and (2) 66X712 wing nuts.

## Model LK-1A, LK-1B, LK-2A - Machine Parts

<u>CAT. NO.</u>	<u>NAME OF PART</u>	<u>CAT. NO.</u>	<u>NAME OF PART</u>
MIA56	Control (LK-1A)	M5A13	Bellows for MIA65
MIA65	Control and Relay (110V-60C)(LK-1B, LK-2A)	A20H1	Control Rod with Bracket (LK-2A with G-15 Range)
A20H5	Terminal Screw for MIA65	NP58632B	Escutcheon Plate for Control
58X142	Temperature Knob, Screw, and Seal for MIA56 and MIA65	11X326	Float Valve Cap
58X192	Temperature Knob Seal for 58X142 (Black)	M15A2	Rubber Bushing for Bellows Tube
58X246	Bellows for MIA56	58X121	Starting Relay (110V-60C) (LK-1A)

## Model CK Oil Demonstration Unit (Old Style)

<u>CAT. NO.</u>	<u>NAME OF PART</u>	<u>CAT. NO.</u>	<u>NAME OF PART</u>
†58X288	Oil Demonstration Unit Complete with Glass Case	105113	Screw for Bracket
*58X289	Glass Case with Oil Distributor Assembled	58X292	Gasket for Bottom of Glass Case
58X290	Oil (1 Gal.)	58X293	Gasket for Base
-	Floodlight - Novalux Model 2A35AAB2 (Less Base)	15433	Screw for Support Spring (3/8 in.- 16 x 2")
	Use MIA80 Control except replace Bellows with a block.	69X226	Screw Fastening Down Compressor during Shipment (5/16 in.- 18 x 2-5/8")
58X291	Bracket for Flood Lamp	46X784	Screw Holding Steel Case in Place during Shipment

† No Longer Available

\* No Longer Available - use 58X308 Case with 58X312 Cord and Plug Set.

## Model CK Oil Demonstration Unit (New Style with Internal Concealed Lighting)

<u>CAT. NO.</u>	<u>NAME OF PART</u>	<u>CAT. NO.</u>	<u>NAME OF PART</u>
58X306	Oil Demonstration Unit Complete with Glass Case (1936 Design)	58X307	Fusetron
58X339	Oil Demonstration Unit Complete with Glass Case (1937 Design)	58X290	Oil (1 Gal.)
58X353	Oil Demonstration Unit Complete with Glass Case (1938 Design)	58X292	Gasket for Bottom of Glass Case
58X308	Glass Case with Oil Distributor and Lamps Mounted in Place	46X784	Screw Holding Steel Case in place during Shipment
GE9514	Lamp Holder (for Mounting Fusetron)	*MIA162	Starting Relay
GE2644	Lamp Holder Adapter	A20H3	Screw and Lockwasher for Attaching Relay

\*When this R type relay is used to replace the original Cat. MIA62 E type relay, accessories Cat. M15A28 are required. Cat. M15A28 consists of (1) M15A19 backplate, (1) M15A20 "U" bolt, (1) M15A29 mounting plate, and (2) 66X712 wing nuts.

Always Give Catalog Number

# 1940 REFRIGERATING MACHINES

## Model CF-1H, CF-2H, CF-28D, CJ-2A - Machine Parts

Catalog Number			Name of Part
CF-1H	CF-2H CJ-2A	CF-28D	
M15A54	M15A54	M15A54	Bellows Tube Clamp with Tel-A-Frost Indicator
C20H20	C20H20	C20H20	Screw for M15A54
A3H6	A3H13	A3H6	Connecting Cord
M1A180	M1A180	M1A180	Control (110 V., 25, 50 or 60 cycle)
A20H14	A20H14	A20H14	Terminal Screw
M15A7	M15A7	M15A7	Cover with screw for control terminal
M15A53	M15A53	M15A53	Temperature knob, screw and seal
M15A30	M15A30	M15A30	Temperature knob seal (white)
58X250	58X250	58X250	Bellows
C20H75	C20H75	C20H75	Screw to attach Control to Escutcheon Plate
M15A55	M15A57	M15A57	Escutcheon plate for Control
C20H70	C20H70	C20H70	Screw and Nut fastening Escutcheon Plate to Evaporator
C20H82	-	C20H81	Evaporator Door with Handle and Hinge
-	C20H81	-	Evaporator Door with Handle and Hinge (CF-2H on LB6-39, LB6-40, PLB6-40)

Catalog Number			Name of Part
CF-1H	CF-2H CJ-2A	CF-28D	
-	C20H107	-	Evaporator Door with Handle and Hinge (CJ-2A, CF-2H on LB6)
-	C20H78	-	Evaporator Door with Handle and Hinge (CF-2H on JB6, BH6-40)
E6H19	E6H7	E6H7	Handle with Retainer, Gasket & Screws (Except for C20H78)
-	C20H79	-	Handle with Retainer, Gasket & Screws (for C20H78)
C20H80	C20H80	C20H80	Hinge with Spring, Pin and Screws for Evaporator Door
C20H77	C20H77	C20H77	Screw for Hinge
-	C20H67	-	Removable Evaporator Shelf (CF-2H)
-	C20H68	-	Shelf Support for C20H67
-	C20H69	-	Screw for C20H68
M1A162	M1A162	M1A162	Starting Relay (110 V., 50 or 60 cycle)
M1A170	M1A170	-	Starting Relay (110 V., 25 cycle)
A20H14	A20H14	A20H14	Terminal Screw for Relay (regular)
A20H5	A20H5	A20H5	Terminal Screw for Relay (special, long)
M15A16	M15A16	M15A16	Clamping Spring for Starting Relay
M15A23	M15A23	M15A23	Relay Backplate

## Model CF-11A, CF-21A, CF-22A, CF-22B - Machine Parts

Catalog Number			Name of Part
CF-11A	CF-21A	CF-22A, B	
M15A54	M15A54	M15A54	Bellows Tube Clamp with Tel-A-Frost Indicator
C20H20	C20H20	C20H20	Screw for M15A54
A3H6	A3H13	A3H6	Connecting Cord
M1A203	M1A203	M1A203	Control (110 V., 25, 50 or 60 cycle) (except CF-22A)
-	-	M1A204	Control (110 V., 25, 50 or 60 cycle). (CF-22A)
A20H14	A20H14	A20H14	Terminal Screw
M15A7	M15A7	M15A7	Cover with Screw for Control Terminal
M15A63	M15A63	M15A63	Inner Temperature Knob with Screw
58X250	58X250	58X250	Bellows
M15A61	M15A61	M15A61	Outer Temperature Knob
C20H86	C20H86	C20H86	Screw to attach Control to Lamp Housing
C20H87	C20H90	C20H90	Escutcheon Plate for Control Cord and Socket for Control Light
A3H15	A3H15	A3H15	Bulb for Control Light (Mazda #C-7, 7 watt clear, 110-125 V.)
-	-	-	
C20H99	C20H99	C20H99	Screw and Nut fastening Lamp Housing to Evaporator

Catalog Number			Name of Part
CF-11A	CF-21A	CF-22A, B	
C20H88	C20H91	C20H91	Evaporator Door with Handle and Hinge
C20H89	C20H89	C20H89	Handle with Retainer, Gasket and Screws for Evaporator Door
C20H80	C20H80	C20H80	Hinge with Spring, Pin and Screws for Evaporator Door
C20H77	C20H77	C20H77	Screw for Hinge
-	-	C20H102	Cover for back of evaporator with screws
-	C20H67	C20H67	Removable Evaporator Shelf
-	C20H68	C20H68	Shelf Support for C20H67
-	C20H69	C20H69	Screw for C20H68
M1A162	M1A162	-	Starting Relay (110 V., 50 or 60 cycle)
-	-	M1A166	Starting Relay (110 V., 50 or 60 cycle)
A20H14	A20H14	A20H14	Terminal Screw for Relay (regular)
A20H5	A20H5	A20H5	Terminal Screw for Relay (special, long)
M15A16	M15A16	M15A16	Clamping Spring for Starting Relay
M15A23	M15A23	M15A23	Relay Backplate

## Model FBA-1A - Machine Parts

Cat. No.	Name of Part
M15A54	Bellows Tube Clamp with Tel-A-Frost Indicator
C20H20	Screw for M15A54
A3H16	Connecting Cord
M1A180	Control (110 V., 50 or 60 cycle)
A20H14	Terminal Screw
M15A7	Cover with screw for Control Terminal
M15A53	Temperature Knob, Screw and Seal
M15A30	Temperature Knob Seal (white)
58X250	Bellows
C20H75	Screw to attach Control to Escutcheon Plate
M15A55	Escutcheon Plate for Control

Cat. No.	Name of Part
C20H70	Screw and Nut fastening Escutcheon Plate to Evaporator
C20H83	Evaporator Door with Handle and Hinge
E6H7	Handle with Retainer and Gasket for C20H83
C20H80	Hinge with Spring, Pin and Screws for C20H83
C20H77	Screw for Hinge
M1A162	Starting Relay (110 V., 50 or 60 cycle)
A20H14	Terminal Screw for Relay (regular)
A20H5	Terminal Screw for Relay (special, long)
M15A16	Clamping Spring for Starting Relay
M15A19	Relay Backplate

# 1940 REFRIGERATING MACHINES

## Model CE-34D - Machine Parts

Cat. No.	Name of Part	Cat. No.	Name of Part
M15A54	Bellows tube clamp with Tel-A-Frost Indicator	C20H80	Hinge with spring, pin and screws for door
C20H20	Screw for M15A54	C20H77	Screw for Hinge
A3H14	Connecting Cord	C20H67	Removable Evaporator Shelf
M1A204	Control (110 V., 25, 50 or 60 cycle)	C20H68	Shelf Support for C20H67
A20H14	Terminal Screw	C20H69	Screw for C20H68
M15A7	Cover with screw for control terminal	C20H102	Cover for back of evaporator with screws
M15A63	Inner temperature knob with screw	5K51AL1	Fan Motor with attaching bracket
58X250	Bellows	5825233AA	Mounting bracket for Motor
M15A61	Outer temperature knob	5853246AA	Rubber bushing for Mounting bracket
C20H86	Screw to attach Control to Lamp housing	5853187AA	Eyelet for Rubber bushing
C20H90	Escutcheon plate for Control	60X365	Screw fastening fan motor to case
C20H92	Escutcheon Plate (Blank Plate across Top of Evaporator)	C20H71	Nut for Cat. 60X365 Screw
-	Bulb for Control light (Mazda #C-7, 7 watt, clear, 110 - 125 V.)	154192	Lockwasher for Cat. C20H71 Nut
A3H15	Cord and socket for control light	C7H2	Fan Blades
C20H99	Screw and Nut fastening lamp housing to Evaporator	C20H94	Speed nut fastening fan blades to motor
C20H91	Evaporator door with Handle and Hinge	M1A166	Starting Relay (110 V., 50 or 60 cycle)
C20H89	Handle with Retainer, Gasket and Screws for door	A20H14	Terminal screw for Relay (regular)
		A20H5	Terminal screw for Relay (special, long)
		M15A16	Clamping spring for starting Relay
		M15A19	Relay backplate

## Model CH-1D, CJ-1D - Machine Parts

Catalog Number		Name of Part	Catalog Number		Name of Part
CH-1D	CJ-1D		CH-1D	CJ-1D	
C20H19	C20H19	Bellows Tube Clamp	5825233AA	-	Mounting bracket for Motor
C20H20	C20H20	Screw for C20H19	5853246AA	-	Rubber bushing for mounting bracket
A3H11	A3H5	Connecting Cord	5853187AA	-	Eyelet for rubber bushing
M1A180	M1A180	Control (110 V., 50 or 60 cycle)	60X365	-	Screw fastening Fan Motor to Case
A20H14	A20H14	Terminal Screw	C20H71	-	Nut for Cat. 60X365
M15A7	M15A7	Cover with Screw for Control Terminal	154192	-	Lockwasher for Cat. C20H71
M15A53	M15A53	Temperature Knob, Screw and Seal	C7H2	-	Fan Blades
M15A30	M15A30	Temperature Knob Seal (white)	C20H94	-	Speed Nut fastening Fan Blades to Motor
58X250	58X250	Bellows	M1A162	M1A162	Starting Relay (110 V., 50 or 60 cycle)
C20H75	C20H75	Screw to attach Control to Escutcheon Plate	A20H14	A20H14	Terminal Screw for Relay (regular)
M15A57	M15A57	Escutcheon Plate for Control	A20H5	A20H5	Terminal Screw for Relay (special, long)
C20H70	C20H70	Screw and Nut fastening Escutcheon Plate to Evaporator	M15A16	M15A16	Clamping Spring for Starting Relay
5K51AL1	-	Fan Motor with attaching bracket	M15A19	M15A19	Relay Backplate

## Model CE-140C, CE-340C - Machine Parts

Catalog Number		Name of Part	Catalog Number		Name of Part
CE-140C	CE-340C		CE-140C	CE-340C	
C20H19	C20H19	Bellows Tube Clamp	5K51AL1	5K51AL1	Fan Motor with attaching bracket
C20H20	C20H20	Screw for C20H19	5825233AA	5825233AA	Mounting bracket for Motor
A3H5	A3H9	Connecting Cord	5853246AA	5853246AA	Rubber bushing for Mounting Bracket
M1A180	-	Control (110 V., 25, 50 or 60 cycle)	5853187AA	5853187AA	Eyelet for Rubber bushing
-	M1A155	Control (110 V., 50 or 60 cycle)	60X365	60X365	Screw fastening Fan Motor to Case
A20H14	A20H14	Terminal Screw	C20H71	C20H71	Nut for Cat. 60X365 Screw
M15A7	M15A7	Cover with screw for Control Terminal	154192	154192	Lockwasher for Cat. C20H71 Nut
M15A53	58X142	Temperature Knob screw and seal	C7H2	C7H2	Fan Blades
M15A30	-	Temperature Knob seal (white)	C20H94	C20H94	Speed Nut fastening Fan Blades to Motor
-	58X192	Temperature Knob seal (black)	M1A168	M1A166	Starting Relay (110 V., 50 or 60 cycle)
58X250	M5A16	Bellows	A20H14	A20H14	Terminal Screw for Relay (regular)
C20H75	-	Screw to attach Control to Escutcheon Plate	A20H5	A20H5	Terminal Screw for Relay (special, long)
M15A57	-	Escutcheon Plate for Control	M15A16	M15A16	Clamping spring for Starting Relay
C20H70	-	Screw and Nut fastening Escutcheon Plate to Evaporator	M15A19	M15A19	Relay Backplate
-	E6H12	Drip Trough with attaching Clips for Evaporator	-	M15A18	Connector for Relay

Always Give Catalog Number

# 1941 REFRIGERATING MACHINES

## Model CF-2J, CF-28E - Machine Parts

Catalog Number		Description	Catalog Number		Description
CF-2J	CF-28E		CF-2J	CF-28E	
M15A54	M15A54	Bellows tube clamp with Tel-A-Frost Indicator	C20H139	C20H139	Spring and hinge pin for evaporator door
C20H20	C20H20	Screw for M15A54	C20H138	C20H138	Rubber bumper for evaporator door
A3H6	A3H6	Connecting cord	C20H67	-	Removable evaporator shelf
M1A232	M1A232	Control (110 V., 25, 50 or 60 cycle)	C20H68	-	Shelf support for C20H67
A20H14	A20H14	Terminal screw	C20H69	-	Screw for C20H68
M15A7	M15A7	Cover with screw for control terminal	M1A162	M1A162	Starting relay (110 V., 50 or 60 cycle)
M15A72	M15A72	Temperature knob screw and seal	-	M1A184	Starting relay (110 V., 25 cycle)
NP85329A	NP85329A	Temperature knob seal	A20H14	A20H14	Terminal screw for Relay (6-32 x 7/32")
58X250	58X250	Bellows	A20H5	A20H5	Terminal screw for Relay (6-32 x 5/16")
C20H75	C20H75	Screw to attach control to Escutcheon Plate	M15A16	M15A16	Clamping spring for Relay
C20H122	C20H122	Escutcheon plate for control	M15A23	M15A23	Relay backplate
C20H70	C20H70	Screw and nut fastening escutcheon plate to evaporator	-	399507366	Capacitor (124 - 138 mfd.) (25 cycle only)
C20H137	*C20H137	Evaporator door assembly (Except on LB6-41)	-	58X390	Cardboard cover for capacitor (25 cycle only)
-	*C20H126	Evaporator door assembly (on LB6-41)	-	C20H56	Rubber cover for capacitor (25 cycle only)
C20H140	*C20H140	Hinge with support, pin and screws	-	C20H136	Cable for capacitor (25 cycle only)
58X389	58X389	Screw fastening hinge to hinge support	-	GE2894	Connector for cable to control (25 cycle only)
C20H141	C20H141	Screw fastening hinge support to evaporator	-	C20H57	Clamp to attach capacitor (25 cycle only)
C20H142	C20H142	Rectangular washer for C20H141	-	32X675	Screw for clamp (25 cycle only)
			-	154194	Lockwasher for 32X675 (25 cycle only)

\* A few evaporator doors were produced on which the screw holes in the hinge support were in a different location than on standard doors or hinges. If a replacement door or hinge does not line up with the screw holes in the evaporator, remove the original hinge support and use that with the replacement door or hinge.

## Model CJ-2B, CJ-2C, CJ-2D, CJ-2E - Machine Parts

Catalog Number		Description	Catalog Number		Description
CJ-2B, D	CJ-2C, E		CJ-2B, D	CJ-2C, E	
M15A54	M15A54	Bellows tube clamp with Tel-A-Frost Indicator	58X389	-	Screw fastening hinge to hinge support
C20H20	C20H20	Screw for M15A54	C20H141	-	Screw fastening hinge support to evaporator
A3H13	A3H13	Connecting cord	C20H142	-	Rectangular washer for C20H141
M1A233	M1A180	Control (110 V., 50 or 60 cycle)	C20H139	-	Spring and hinge pin for evaporator door
A20H14	A20H14	Terminal screw	C20H138	-	Rubber bumper for evaporator door
M15A7	M15A7	Cover with screw for control terminal	-	C20H107	Evaporator door with handle and hinge
M15A73	M15A53	Temperature knob screw and seal	-	E6H7	Handle with retainer, gasket and screws
NP85329C	M15A30	Temperature knob seal	-	C20H80	Hinge with spring, pin and screws
58X250	58X250	Bellows	-	C20H77	Screw for C20H80
C20H75	C20H75	Screw to attach Control to Escutcheon Plate	*M1A231	M1A231	Starting relay (110 V., 50 or 60 cycle)(CJ-2B,C)
C20H127	M15A57	Escutcheon plate for control	M1A162	M1A162	Starting relay (110 V., 50 or 60 cycle)(CJ-2D,E)
C20H70	C20H70	Screw and nut fastening Escutcheon Plate to Evaporator	A20H14	A20H14	Terminal screw for relay (6-32 x 7/32")
C20H126	-	Evaporator door assembly	A20H5	A20H5	Terminal screw for relay (6-32 x 5/16")
C20H140	-	Hinge with support, pin and screws	M15A16	M15A16	Clamping spring for relay
			M15A23	M15A23	Relay backplate

\* A few CJ-2B Units used Cat. M1A162 relay. These were marked "I-S" on compressor case dome.

## Model CH-1E, CJ-1E - Machine Parts

Catalog Number		Description	Catalog Number		Description
CH-1E	CJ-1E		CH-1E	CJ-1E	
C20H19	C20H19	Bellows tube clamp	5825233AA	-	Mounting bracket for Motor
C20H20	C20H20	Screw for C20H19	5853246AA	-	Rubber bushing for mounting bracket
A3H11	A3H5	Connecting cord	5853187AA	-	Eyelet for rubber bushing
M1A232	M1A232	Control (110 V., 50 or 60 cycle)	207248	-	Screw fastening motor to mounting bracket
A20H14	A20H14	Terminal Screw	128616	-	Screw fastening Fan Motor to Case
M15A7	M15A7	Cover with screw for control terminal	C20H71	-	Nut for Cat. 128616
M15A72	M15A72	Temperature knob, screw and seal	154192	-	Lockwasher for Cat. C20H71
NP85329A	NP85329A	Temperature knob seal	C7H2	-	Fan blades
58X250	58X250	Bellows	C20H94	-	Speed nut fastening fan blades to motor
C20H75	C20H75	Screw to attach Control to Escutcheon Plate	M1A162	M1A162	Starting relay (110 V., 50 or 60 cycle)
C20H130	C20H127	Escutcheon plate for control	A20H14	A20H14	Terminal screw for Relay (6-32 x 7/32")
C20H70	C20H70	Screw and nut fastening escutcheon plate to evaporator	A20H5	A20H5	Terminal screw for Relay (6-32 x 5/16")
5K51A1I	-	Fan motor with attaching bracket	M15A16	M15A16	Clamping spring for Relay
			M15A19	M15A19	Relay backplate

Always Give Catalog Number

# 1941 REFRIGERATING MACHINES

## Model CF-22C - Machine Parts

Cat. No.	Description
M15A67	Bellows tube clamp
C20H108	Screw for Cat. M15A67
M15A68	Tapping strip for Cat. M15A67
M15A69	Tel-A-Frost Indicator
C20H109	Screw for Cat. M15A69
A3H17	Connecting cord
M1A235	Control (110 V., 50 or 60 cycle)
A20H14	Terminal screw
M15A7	Cover with screw for control terminal
M15A63	Inner temperature knob with screw
58X250	Bellows
M15A71	Control wheel assembly
C20H119	Control escutcheon and housing assembly
C20H111	Escutcheon insert (plastic)
C20H112	Control mounting plate
C20H113	Screw to hold control to plate
58X388	Screw to hold mounting plate to top plate
C20H114	Composition washer for 58X388
C20H115	Speed nut for 58X388

Cat. No.	Description
A3H15	Cord and socket for control light
-	Bulb for control light (Mazda #C-7, 7 watt clear, 115 V.)
C20H120	Evaporator door assembly
C20H121	Handle with screws for door
NP85384	Medallion for evaporator door
C20H140	Hinge with support, pin and screws
58X389	Screw fastening hinge to hinge support
C20H141	Screw fastening hinge support to evaporator
C20H142	Rectangular washer for C20H141
C20H139	Spring and hinge pin for evaporator door
C20H138	Rubber bumper for evaporator door
C20H117	Cover for back of evaporator
C20H134	Screw for Cat. C20H117
C20H135	Nut for Cat. C20H134
M1A166	Starting relay (110 V., 50 or 60 cycle)
A20H14	Terminal screw for relay (6-32 x 7/32")
A20H5	Terminal screw for relay (6-32 x 5/16")
M15A16	Clamping spring for starting relay
M15A23	Relay backplate

## Model CE-34E - Machine Parts

Cat. No.	Description
M15A54	Bellows tube clamp with Tel-A-Frost Indicator
C20H20	Screw for M15A54
A3H14	Connecting Cord
M1A204	Control (110 V., 25, 50 or 60 cycle)
A20H14	Terminal Screw
M15A7	Cover with screw for control terminal
M15A63	Inner temperature knob with screw
58X250	Bellows
M15A61	Outer temperature knob
C20H86	Screw to attach Control to Lamp housing
C20H90	Escutcheon plate for Control
C20H92	Escutcheon plate (Blank Plate across Top Evaporator)
-	Bulb for Control light (Mazda #C-7, 7 watt, clear, 115 V.)
A3H15	Cord and socket for control light
C20H99	Screw and Nut fastening lamp housing to Evaporator
C20H128	Evaporator Door Assembly
C20H121	Handle for Door
C20H144	Screw for Cat. C20H121
C20H143	Gasket for Cat. C20H144
C20H129	Retainer for Cat. C20H143
NP85384	Medallion for Evaporator Door

Cat. No.	Description
C20H80	Hinge with spring, pin and screws for door
C20H77	Screw for Hinge
C20H67	Removable Evaporator Shelf
C20H68	Shelf Support for C20H67
C20H69	Screw for C20H68
C20H102	Cover for back of evaporator with screws
5K51AL1	Fan Motor with attaching bracket
5825233AA	Mounting bracket for Motor
5853246AA	Rubber bushing for Mounting bracket
5853187AA	Eyelet for Rubber bushing
207248	Screw fastening motor to mounting bracket
128616	Screw fastening fan motor to case
C20H71	Nut for Cat. 128616 Screw
154192	Lockwasher for Cat. C20H71 Nut
C7H2	Fan Blades
C20H94	Speed nut fastening fan blades to motor
M1A166	Starting Relay (110 V., 50 or 60 cycle)
A20H14	Terminal screw for Relay (6-32 x 7/32")
A20H5	Terminal screw for Relay (6-32 x 5/16")
M15A16	Clamping spring for R Type Relay
M15A19	Relay backplate

## Model CE-140D - Machine Parts

Cat. No.	Description
C20H19	Bellows tube clamp
C20H20	Screw for Cat. C20H19
A3H5	Connecting cord
M1A232	Control (110 V., 50 or 60 cycle)
A20H14	Terminal screw
M15A7	Cover with screw for control terminal
M15A72	Temperature knob, screw and seal
NP85329A	Temperature knob seal
58X250	Bellows
C20H131	Screw to attach control to escutcheon plate
C20H122	Escutcheon plate for control
C20H70	Screw and nut fastening escutcheon plate to evaporator
5K51AL1	Fan motor
5825233AA	Mounting bracket for motor

Cat. No.	Description
5853246AA	Rubber bushing for mounting bracket
5853187AA	Eyelet for rubber bushing
207248	Screw fastening motor to mounting bracket
128616	Screw attaching fan motor to case
C20H71	Nut for Cat. 128616
154192	Lockwasher for Cat. 128616
C7H2	Fan blades
C20H94	Speed nut fastening fan blades to motor
M1A168	Starting relay (110 V., 50 or 60 cycle)
A20H14	Terminal screw for relay (6-32 x 7/32")
A20H5	Terminal screw for relay (6-32 x 5/16")
M15A16	Clamping spring for relay
M15A19	Relay backplate

Always Give Catalog Number

## 1942 REFRIGERATING MACHINES

### Model CF-2M, CJ-2H, CF-28H—Machine Parts

Cat. No.	Description	Cat. No.	Description
M15A79	Bellows Tube Clamp	C20H155	Washer for C20H154 Screw (Fiber)
C20H147	Screw for M15A79	C20H138	Rubber bumper for Evaporator Door
C20H148	Bushing for C20H147 Screw (rubber)	C20H156	Evaporator Door Hinge Assembly (RH Cabinet)
A3H6	Connecting Cord (CF-2M, CF-28H)	C20H157	Spring for C20H156 Hinge
A3H13	Connecting Cord (CJ-2H)	C20H161	Evaporator Door Hinge Assembly (LH Cabinet)
M15A80	Defrost Indicator		(Without over center spring)
C20H174	Screw for M15A80	58X395	Screw fastening Hinge to Evaporator Door
M1A250	Control (110V. 25,50 or 60 Cycle)		(8-32 X 5/16")
A20H14	Terminal Screw	C20H115	Speed Nut for 58X395 screw
M15A7	Cover with Screw for Control Terminals	C20H158	Screw fastening Hinge to Evaporator
M15A84	Temperature Knob Screw and Seal	C20H159	Gasket between Hinge and Evaporator, and
NP-85329A	Temperature Knob Seal		Evaporator and Screw
58X250	Bellows	C20H160	Washer for C20H158 Screw
M15A81	Control Mounting Plate	C20H170	Tray Stop
134968	Screw fastening Control to plate (8-32 X 3/8)	C20H171	Screw for Tray Stop
C20H149	Gasket for Control Mounting Plate (Fiber)	C20H172	Washer for C20H171 Screw (Rubber)
M15A82	Control Escutcheon Plate	C20H173	Washer for C20H171 Screw (Steel)
C20H150	Screw fastening Escutcheon and Control Plate	M1A162	Starting relay (110V., 50 or 60 Cycle)
	to Top Plate		(CF-2M, CJ-2H)
C20H115	Speed Nut for C20H150 Screw	M1A184	Starting relay (110V., 25 cycle) (CF-28H)
C20H151	Washer Between Escutcheon and Top Plate(Fiber)	A20H14	Terminal screw for relay (6-32 X 7/32")
C20H152	Evaporator Door Without Handle & Hinge	A20H5	Terminal screw for relay (6-32 X 5/16")
C20H153	Handle for Evaporator Door	M15A16	Clamping spring for relay
C20H154	Screw for C20H153 Handle (No. 4)	M15A23	Relay Backplate

### Model CF-22G—Machine Parts

Cat. No.	Description	Cat. No.	Description
M15A79	Bellows Tube Clamp	58X382	Nut for 58X396 Screw
C20H147	Screw for M15A79	C20H138	Rubber Bumper for Evaporator Door
C20H148	Bushing for C20H147 Screw (Rubber)	C20H156	Evaporator Door Hinge Assembly (R.H. Cabinet)
A3H17	Connecting Cord	C20H157	Spring for C20H156 Hinge
M15A80	Defrost Indicator	C20H161	Evaporator Door Hinge Assembly (L.H. Cabinet)
C20H174	Screw for M15A80		(without over center spring)
M1A252	Control (110 V., 50 or 60 cycle)	58X395	Screw Fastening Hinge to Evaporator Door
A20H14	Terminal Screw		(8-32 X 5/16")
M15A7	Cover with Screw for Control Terminals	C20H115	Speednut for 58X395 Screw
M15A86	Inner Temperature Knob with Screw	C20H158	Screw fastening Hinge to Evaporator
58X250	Bellows	C20H159	Gasket between Hinge and Evaporator, and
C20H162	Blank Escutcheon across Top of Evaporator		Evaporator and Screw
C20H150	Screw for C20H162	C20H160	Washer for C20H158 Screw
C20H163	Gasket for C20H150 Screw (Fibre)	C20H168	Cover for Back of Evaporator
C20H115	Speednut for C20H150 Screw	C20H169	Fastener for C20H168
M20A323	Gasket between Hand Hole Plate and Top Plate	C20H170	Tray Stop
C20H164	Hand Hole Plate	C20H171	Screw for Tray Stop
C20H165	Evaporator Door without handle and hinge	C20H172	Washer for C20H171 Screw (Rubber)
C20H166	Handle for Evaporator Door	C20H173	Washer for C20H171 Screw (Steel)
C20H154	Screw for C20H166 Handle (No. 4)	M1A166	Starting Relay (110 V., 50 or 60 cycle)
C20H155	Washer for C20H154 Screw	A20H14	Terminal Screw for Relay (6-32 X 7/32")
NP-91406	Medallion and Clip for Evaporator Door	A20H5	Terminal Screw for Relay (6-32 X 5/16")
58X396	Screw for Evaporator Door Medallion(6-32 X 1/4")	M15A16	Clamping Spring for Relay
C20H155	Washer for 58X396 Screw	M15A23	Relay Backplate

Always Give Catalog Number

# 1942 REFRIGERATING MACHINES

## Model CE-34H—Machine Parts

Cat. No.	Description	Cat. No.	Description
M15A79	Bellows Tube Clamp	58X395	Screw Fastening Hinge to Evaporator Door (8-32X5/16")
C20H147	Screw for M15A79	C20H115	Speed Nut for 58X395 Screw
C20H148	Bushing for C20H147 Screw (Rubber)	C20H158	Screw Fastening Hinge to Evaporator
A3H14	Connecting Cord	C20H159	Gasket between Hinge and Evaporator and Evaporator and Screw
M15A80	Defrost Indicator	C20H160	Washer for C20H158 Screw
C20H174	Screw for M15A80	C20H182	Removable Evaporator Shelf
M1A250	Control (110V., 50 or 60 cy.)	C20H183	Support for Evaporator Shelf
A20H14	Terminal Screw	C20H170	Tray Stop
M15A7	Cover with Screw for Control Terminals	C20H171	Screw for Cat. C20H183 or C20H170
M15A84	Temperature Knob, Screw and Seal	36713	Nut for C20H171
NP85329A	Temperature Knob Seal	C20H172	Washer for C20H171 (Rubber)
58X250	Bellows	C20H173	Washer for C20H171 (Steel)
M15A81	Control Mounting Plate	C20H184	Cover for Back of Evaporator
I34968	Screw Fastening Control to Plate (8-32X3/8")	C20H169	Snap Fastener for C20H184
C20H149	Gasket for Control Mounting Plate (Fibre)	5K51A11	Fan Motor with Attaching Bracket
M15A88	Escutcheon Plate (Blank Plate across Top Evaporator)	5825233AA	Mounting Bracket for Motor
M15A82	Escutcheon Plate for Control	5853246AA	Rubber Bushing for Bracket
C20H150	Screw Fastening Escutcheon and Control Plate to Top Plate	5853187AA	Eyelet for Rubber Bushing
C20H115	Speed Nut for C20H150 Screw	207248	Screw Fastening Motor to Mounting Bracket
C20H151	Washer between Escutcheon and Top Plate (Fibre)	I28616	Screw Fastening Fan Motor to Case
C20H180	Evaporator Door without Handle and Hinge	C20H71	Nut for I28616
C20H166	Handle for Evaporator Door	I54192	Lockwasher for C20H71
C20H154	Screw for C20H166 Handle (No.4)	C7H2	Fan Blades
C20H155	Washer for C20H154 Screw	C20H94	Speed Nut Fastening Fan Blades to Motor
NP91406	Medallion and Clip for Evaporator Door	M1A166	Starting Relay (110V., 50 or 60 Cy.)
58X396	Screw for Evaporator Door Medallion (6-32X1/4")	A20H14	Terminal Screw for Relay (6-32X1/4")
C20H155	Washer for 58X396 Screw	A20H5	Terminal Screw for Relay (6-32X1/2")
58X382	Nut for 58X396 Screw	M15A16	Clamping Spring for Starting Relay
C20H138	Rubber Bumper for Evaporator Door	M15A19	Relay Backplate
C20H161	Evaporator Door Hinge Assembly (LH Door)		

## Model CF-2R—Machine Parts

Cat. No.	Description	Cat. No.	Description
M15A54	Bellows Tube Clamp with Tel-A-Frost Indicator	C20H153	Handle for Evaporator Door
C20H20	Screw for M15A54	C20H154	Screw for C20H153 Handle (No.4)
A3H6	Connecting Cord	C20H155	Washer for C20H154 Screw (Fiber)
GE2721	Cap for Connection Cord	C20H138	Rubber Bumper for Evaporator Door
M1A232	Control (110V., 50 or 60 Cycle)	C20H156	Evaporator Door Hinge Assembly (RH Cabinet)
A20H14	Terminal Screw	C20H157	Spring for C20H156 Hinge
M15A7	Cover with Screw for Control Terminals	58X395	Screw Fastening Hinge to Evaporator Door (8-32X5/16")
M15A72	Temperature Knob, Screw and Seal	C20H115	Speed Nut for 58X395 Screw
NP-85329A	Temperature Knob Seal	C20H158	Screw Fastening Hinge to Evaporator
58X250	Bellows	C20H159	Gasket between Hinge and Evaporator and Evaporator and Screw
M15A81	Control Mounting Plate	C20H160	Washer for C20H158 Screw
I34968	Screw Fastening Control to Plate (8-32X3/8")	C20H102	Cover for Back of Evaporator
C20H149	Gasket for Control Mounting Plate (Fiber)	M1A166	Starting Relay (110V., 50 or 60 Cycle)
M15A82	Control Escutcheon Plate	A20H14	Terminal Screw for Relay (6-32X7/32")
C20H150	Screw Fastening Escutcheon and Control Plate to Top Plate	A20H5	Terminal Screw for Relay (8-32X5/16")
C20H115	Speed Nut for C20H150 Screw	M15A16	Clamping Spring for Relay
C20H151	Washer between Escutcheon and Top Plate (Fiber)	M15A23	Relay Backplate
C20H152	Evaporator Door		

## Model CK-2E—Machine Parts

Cat. No.	Description	Cat. No.	Description
M15A79	Bellows Tube Clamp	M15A15	Temperature Knob Seal
C20H147	Screw for M15A79	58X247	Bellows
C20H148	Bushing for C20H147	58X141	Clamp with Screw Fastening Control to Condenser
M15A89	Washer for M15A79 Clamp	NP67869	Control Escutcheon Plate
58X204	Box Top Gasket	M1A168	Starting Relay
A3H3	Connecting Cord	A20H5	Terminal Screw for M1A168
M1A258	Control (110V., 50 or 60 Cycle)	A20H3	Screw and Lockwasher Fastening Relay to Condenser
A20H14	Terminal Screw for Control	A20H4	Rubber Bushing Sealing Bellows Tube in Bottom Plate
M15A7	Cover with Screw for Control Terminal	58X143	Screw with Washer Holding Bottom Plate to Box Top
M15A9	Temperature Knob, Screw and Seal	I1X326	Float Valve Cap

Always Give Catalog Number



# REFRIGERATING MACHINES

## Model CK-30H—Machine Parts

Cat. No.	Description
M15A79	Bellows Tube Clamp
C20H147	Screw for M15A79
C20H148	Bushing for C20H147
M15A89	Washer for M15A79 Clamp
58X196	Box Top Gasket
A3H3	Connecting Cord
M1A258	Control (110 V., 50 or 60 Cy.)
A20H14	Terminal Screw for Control
M15A7	Cover with Screw for Control Terminal
M15A9	Temperature Knob, Screw and Seal
M15A15	Temperature Knob Seal
58X248	Bellows

Cat. No.	Description
58X141	Clamp with Screws Fastening Control to Condenser
C20H21	Drain for Evaporator Tubing
C20H26	Drain Less Attaching Clamp
C20H27	Drain Attaching Clamp
C20H28	Nut for C20H27 Clamp
NP67869	Escutcheon Plate for Control
M1A166	Starting Relay
A20H5	Terminal Screw for M1A166
A20H3	Screw and Washer Fastening Relay to Condenser
58X195	Screw and Washers Holding Bottom Plate to Box Top
A20H4	Rubber Bushing to Seal Bellows Tube in Bottom Plate

## Model CK-30G, CK-35G, CK-35H—Machine Parts

TYPE CK-30G AND CK-35G

These refrigerating machines have the same replacement parts as the CK-30E and CK-35E respectively. However, they use Freon-12 refrigerant instead of SO<sub>2</sub> and therefore the temperature control must be reset to 17° off and 27° on instead of 11° off and 21° on.

TYPE CK-35H

This refrigerating machine has the same replacement parts as the CK-35E except that Cat. No. 5029710AA4 Capacitor was eliminated. Also this machine uses Freon-12 refrigerant and the temperature control must be reset to 17° off and 27° on instead of 11° off and 21° on.

## Model FEA1-A16, FEA1-B16, FEA2-A16, FEA2-B16, FEA2-C16—Machine Parts

Catalog Number		Description
FEA1-A16 FEA2-A16 FEA2-B16	FEA1-B16 FEA2-C16	
C20H187	C20H19	Bellows Tube Clamp
C20H188	C20H20	Screw and Lockwasher for Bellows Tube Clamp
11X681	11X681	Box Top Gasket for FEA 1
58X204	58X204	Box Top Gasket for FEA 2
A20H4	A20H4	Rubber Bushing for Bellows Tube
A3H18	A3H18	Connecting Cord
M1A261	M1A261	Control (First production FEA1-A, FEA2-A)
M1A272	M1A272	Control (FEA1-B, FEA2-C)
M1A267	M1A267	Control (FEA1-A, FEA2-A, FEA2-B)
A20H14	A20H14	Terminal Screw for M1A261, M1A267, M1A272
M15A7	M15A7	Cover and Screws for Terminals
M15A93	M15A93	Temperature Knob
M5A4	M5A4	Bellows
143515	143515	Screw for Control Bracket
58X143	58X143	Screw and Washer Fastening Bottom Plate to Box Top
##M1A168	##M1A168	Starting Relay
A20H5	A20H5	Terminal Screw for Relay
M15A23	M15A23	Backplate for Relay
M15A16	M15A16	Clamping Spring to Hold Relay
C20H189	C20H189	Sealing Screw for Purging Screw Socket

Catalog Number		Description
FEA1-A16 FEA2-A16 FEA2-B16	FEA1-B16 FEA2-C16	
C20H190	C20H190	Gasket for C20H189 Screw
‡SK51AL10	‡SK51AL10	Fan Motor (Available Motor Exchange Plan Only)
C7H4	C7H4	Fan Blade
C20H94	C20H94	Speed Nut Fastening Fan Blade
C20H191	C20H191	Mounting Bracket for Motor
C20H192	C20H192	Rubber Bushing for C20 H191 Bracket
C20H193	C20H193	Eyelet for C20H192 Bushing
207248	207248	Screw Fastening Motor to Bracket
54X473	54X473	Lockwasher for 207248 Screw
60X365	60X365	Screw fastening Motor to Case
83X300	83X300	Lockwasher for 60X365 Screw
M15A2	M15A2	Gasket for Fan Motor Cable
C20H194	C20H194	Cleat for Relay Cable
89X418	89X418	Screw for C20H194 Cleat
C15H3	C15H3	Unit Housing
C11H6	C11H6	Gasket for C15H3 Housing
C15H4	C15H4	Spring and Bushings for Compressor Mounting
C20H195	C20H195	Parts for Mounting Support Angle to Box Top
C20H196	C20H196	Wire Guard for Rear Foot of Compressor
C20H198	C20H198	Drain (Drip Shield) (Early Production Only)

##Catalog M1A162 Starting Relay is the same as the M1A168 and can therefore be used when replacement of the M1A168 is necessary. The parts shown for the M1A168 also apply to the M1A162 and are therefore interchangeable.

‡The SK51AL10 is the same as the 1942 Motor No. SK51AL1 except that the new one has a long oil tube and it does not have the triangular mounting plate. However the SK51AL1 can be used by mounting it on the FEA special fan bracket. These motors are available on the Motor Exchange Plan.

Always Give Catalog Number

# REFRIGERATING MACHINES

## Model FCA1-A16, FCA2-F16, FCA2-G16—Machine Parts

Catalog Number		Description	Catalog Number		Description
FCA1-A16	FCA2-F16 FCA2-G16		FCA1-A16	FCA2-F16 FCA2-G16	
M15A54	M15A54	Bellows Tube Clamp and Indicator	5K51AL10A	5K51AL10A	Fan Motor
C20H20	C20H20	Screw for M15A54 Clamp	C7H4	C7H4	Fan Blade
A3H6	A3H6	Connecting Cord	C20H94	C20H94	Speed Nut fastening Fan Blade
M1A268	M1A270	Control	C20H191	C20H191	Mounting Bracket for Motor
M15A94	M15A94	Spring for Recessed knob on Control	339X73	339X73	Screw holding Motor to Mounting Bracket
A20H14	A20H14	Terminal Screw for Control or Relay	339X74	339X74	Screw holding Motor Mounting Bracket to Fan Housing
M15A7	M15A7	Cover and Screw for Terminals	M15A2	M15A2	Gasket for Motor Cable
58X250	58X250	Bellows	C20H194	C20H194	Cleat for Relay Cable
C20H75	C20H75	Screw Holding Control to Escutcheon Plate	339X74	339X74	Screw for C20H194 Cleat
M15A55	M15A82	Escutcheon Plate	C15H4	C15H4	Spring and Bushings for Compressor Mounting
C20H70	C20H70	Screw and Nut holding Escutcheon to Evaporator	C20H199	C20H199	Wire Guard for Rear Foot of Compressor
M1A162	M1A162	Starting Relay	C20H200	C20H200	Clamp holding Suction and Capillary Coil to Support Angle
A20H5	A20H5	Terminal Screw for Relay	339X74	339X74	Screw for C20H200 Clamp
M15A23	M15A23	Backplate for Relay	*C20H82	C20H201	Evaporator Door
M15A16	M15A16	Clamping Spring	or	-	-
C20H189	C20H189	Sealing Screw for Purging Screw Socket	*C20H83	-	-
C20H190	C20H190	Gasket for C20H189 Screw	-	WR49X1	Cover for Metal Glass Lead (late model FCA-2F only)
			-	C20H102	Cover for Evaporator Back

\*Not Standard Equipment, but can be installed

## Model FEA-35A—Machine Parts

Cat. No.	Description	Cat. No.	Description
C20H19	Bellows Tube Clamp	C20H190	Gasket for C20H189 Screw
C20H20	Screw and Lockwasher for Bellows Tube Clamp	5KH51AL10A	Fan Motor
58X196	Box Top Gasket	C7H4	Fan Blade
A20H4	Rubber Bushing for Bellows Tube	C20H94	Speed Nut Fastening Fan Blade
A3H18	Connecting Cord	C20H191	Mounting Bracket for Motor
M1A271	Control	339X73	Screw Holding Motor to Mounting Bracket
M15A94	Spring for Recessed Knob on Control	339X74	Screw Holding Motor Mounting Bracket to Fan Housing
A20H14	Terminal Screw for Control or Relay	M15A2	Gasket for Fan Motor Cable
M15A7	Cover and Screw for Terminals	C20H194	Cleat for Relay Cable
M15A93	Temperature Knob (External)	339X74	Screw for C20H194 Cleat
58X250	Bellows for M1A271 Control	C15H3	Unit Housing
143515	Screw for Control Bracket	C11H6	Gasket for Housing
58X195	Screw and Washer Fastening Bottom Plate to Box Top	C15H4	Spring and Bushings for Compressor Mounting
M1A166	Starting Relay	C20H195	Parts for Mounting Support Angle to Box Top
A20H5	Terminal Screw for Relay	C20H196	Wire Guard for Rear Foot of Compressor
M15A23	Backplate for Relay	A20H23	Braces (Early Production Only) (1 pr. each unit)
M15A16	Clamping Spring to Hold Relay		
C20H189	Sealing Screw for Purging Screw Socket		

Always Give Catalog Number

## Model CB-1B, CB-1C, CB-1E, CB-2B, CB-2C, CB-3A, CB-3B—Machine Parts (Rotary Type Compressor)

CAT. NO.	NAME OF PART	CAT. NO.	NAME OF PART
C13A44	Air Duct Adapter (CB3A, CB3B)	NP-62638	Escutcheon Plate (Non-defrost)
C20A54	Bellows Tube Clamp	11X909	Escutcheon Plate Screw
C20A57	Bellows Tube Clamp Screw	†C22A1	Evaporator (CB1B, CB1C)
C4A4	Belt, 60 cycle and D.C.	E6A20	Evaporator (CB1E)
C4A2	Belt, 50 and 25 cycle	†C22A2	Evaporator (CB2B, CB2C)
C4A57	Belt, 40 cycle	†C22A3	Evaporator (CB3A, CB3B)
C15A73	Bottom Plate (CB1B)	C20A81	Evaporator Mounting Screw
C15A68	Bottom Plate (CB1C, CB1E)	C20A86	Evaporator Mounting Spacer
C15A74	Bottom Plate (CB2B)	C20A82	Evaporator Mounting Screw Washer (Rubber)
C15A69	Bottom Plate (CB2C)	C20A83	Evaporator Mounting Screw Washer (Steel)
C15A72	Bottom Plate (CB3A)	13919	Evaporator Mounting Screw Nut
C15A70	Bottom Plate (CB3B)	C13A43	Fan Duct Assembly (CB1B, CB2B, CB3A)
C20A76	Box Top Screw	C13A42	Fan Duct Assembly (CB1C, CB1E, CB2C, CB3B)
C20A77	Box Top Screw Washer	C20A228	Fan Duct Cover
C20A78	Box Top Screw Spacer	C1A26	Float Valve Complete with Bracket
9AC2500	Capacitor, 110 V. 60 cycle	**5KC45AA648	Motor Complete, 110 V. 60 cycle
9CG101B1	Capacitor, 110 V. 60 cycle	**5KC45AA649	Motor Complete, 110 V. 60 cycle
9CG101D1	Capacitor, 110 V. 60 cycle	**5KC45A85	Motor Complete, 110 V. 60 cycle
9CG101D1	Capacitor, 125 V. 60 cycle	5KC45A852	Motor Complete, 110 V. 60 cycle
9CG101D1	Capacitor, 150 V. 60 cycle	5KC45A860	Motor Complete, 125 V. 60 cycle
9CG101D1	Capacitor, 220 V. 60 cycle	5KC45A877	Motor Complete, 150 V. 60 cycle
9CG102D1	Capacitor, 240 V. 60 cycle	5KC45A893	Motor Complete, 220 V. 60 cycle
9CG102S16	Capacitor, 110 V. 50 cycle	5KC45A8106	Motor Complete, 240 V. 60 cycle
9CG102D1	Capacitor, 125 V. 50 cycle	5KC45A857	Motor Complete, 110 V. 50 cycle
9CG102D1	Capacitor, 200 V. 50 cycle	5KC45A859	Motor Complete, 125 V. 50 cycle
9CG102D1	Capacitor, 220 V. 50 cycle	5KC45A866	Motor Complete, 200 V. 50 cycle
9CG102D1	Capacitor, 230 V. 50 cycle	5KC45A853	Motor Complete, 220 V. 50 cycle
9CG102D1	Capacitor, 240 V. 50 cycle	5KC45A867	Motor Complete, 230 V. 50 cycle
9AC174F1	Capacitor, 110 V. 40 cycle	5KC45A8107	Motor Complete, 240 V. 50 cycle
9AC365A1	Capacitor, 250 V. 40 cycle	5KC45A839	Motor Complete, 110 V. 40 cycle
9AC253E1	Capacitor, 110 V. 25 cycle	5KC47A877	Motor Complete, 250 V. 40 cycle
9AC253H1	Capacitor, 110 V. 25 cycle	†5KC49BA392	Motor Complete, 110 V. 25 cycle
9AC192D1	Capacitor, 220 V. 25 cycle	5KC49BB42	Motor Complete, 110 V. 25 cycle
*C21A22	Compressor	5KC49BB48	Motor Complete, 220 V. 25 cycle
C5B26	Compressor Pulley (Except 40 cycle)	5BC46A460	Motor Complete, 32 V. D.C.
C5B5	Compressor Pulley (40 cycle)	5BC46A409	Motor Complete, 115 V. D.C.
C5A50	Tuned Flywheel	5BC46A499	Motor Complete, 125 V. D.C.
168039	Compressor Pulley Key	5BC46A597	Motor Complete, 150 V. D.C.
281387	Compressor Pulley Nut	5BC46A434	Motor Complete, 230 V. D.C.
63X865	Compressor Pulley Nut Lockwasher	5BC46A462	Motor Complete, 250 V. D.C.
C13A40	Condenser Complete with Tubes	1752986	Motor Brush, 32 V. D.C.
C20A84	Connection Cord	4215344	Motor Brush, 115 V. D.C., 230 V. D.C.
C20A63	Connecting Cable for Control (32 V. D.C.)	C5A7	Motor Pulley, 60 cycle and D.C.
C20A64	Connecting Cable for Contactor (32 V. D.C.)	C5A10	Motor Pulley, 50 and 25 cycle
M1A55	Control (Non-defrost) 110 V. 25, 40, 50 and 60 cycle	C5A66	Motor Pulley, 40 cycle
M1A43	Control (Non-defrost) 230 V. D.C.	C20A79	Rubber Bushing for Evaporator Tube (1-1/16" Dia.)
M1A42	Control (Non-defrost) 115 V. D.C.	11X341	Rubber Bushing for Evaporator Tube (15/16" Dia.)
M1A25	Control (Defrost) 110 V. 60 cycle, 125 V. 50 cycle, 110 V. 50 cycle)	††C16A134	Removable Shaft Seal Assembly for C21A6 and C21A22
M1A26	Control (Defrost) 220 V. 40 cycle	††C16A137	Removable Shaft Seal Assembly for C21A1
M1A30	Control (Defrost) 110 V. 40 cycle, 150 V. 60 cycle, 120 V. 30 cycle	C16A36	Shaft Seal Clamping Plate (Inner)
M1A31	Control (Defrost) 110V.25 cycle,125V. 60 cycle	C16A35	Shaft Seal Clamping Plate (Outer)
M1A27	Control (Defrost) 220, 230 and 240 V. 50 cycle 220 V. 25 cycle, 220 V. 60 cycle	C11A22	Shaft Seal Clamping Plate Gasket
M1A48	Control (Defrost) 115 V. D.C. 125 V. D.C.	C20A30	Shaft Seal Clamping Plate Screw for C21A22
M1A49	Control (Defrost) 230 V. D.C.	C20A95	Shaft Seal Clamping Plate Screw for C21A6
M1A28	Control (Defrost) 200 V. 50 cycle	C20A296	Spacer for Control Panel Screw
M1A50	Control (Defrost) 32 V. D.C.	C20A4	Spring Mounting Assembly (CB1B, CB2B, CB3A)
M1A32	Control (Defrost) 240 and 250 V. 40 cycle	C20A56	Spring Mounting Assembly (Motor Side) (CB1C, CB1E, CB2C, CB3B)
M1A33	Control (Defrost) 240 V. 60 cycle	C20A4	Spring Mounting Assembly (Compressor Side) (CB1C, CB1E, CB2C, CB3B)
M1A14	Control (Defrost) 150 V. D.C.	C20A292	Spring Mounting Adjusting Screw
58X15	Control Locking Connector	C20A294	Spring Mounting Spring (CB1B, CB2B, CB3A)
A19X102	Elbow, Compressor Outlet (Required with C21A6 Replacement Compressor only)	C20A293	Spring Mounting Spring (Motor Side)(CB1C, CB1E, CB2C, CB3B)
A19X224	Elbow, Compressor Inlet (Required with C21A6 Replacement Compressor only)	C20A294	Spring Mounting Spring (Compressor Side) (CB1C, CB1E, CB2C, CB3B)
NP-57755	Escutcheon Plate (Defrost)	C1A25	Suction Line Complete with Check Valve (except CB1E)
NP-57712	Escutcheon Plate (Non-defrost)	M48194	Suction Line Complete with Check Valve (CB1E)

\*No longer Available.

\*\*Order 5KC45A852 for replacement.

†Order 5KC49BB42 for replacement.

††Refer to Installation and Service Material Section for parts.

‡See Note on Page 9.

## Model CB-1F, CB-2D, CB-2F, CB-3D, CB-3F—Machine Parts (Reciprocating Type Compressor)

### Electrical Characteristics and Driving Equipment

MODEL	VOLTS	CYCLES	H.P.	PHASE	R.P.M.	GAS	MOTOR	CONTROL	MOTOR PULLEY WITH FAN	COM-PRESSOR PULLEY	BELT (2 REQ'D)	MOTOR CAPACITOR	MOTOR BRUSH (2 REQ'D)
CB-2D1	115	D.C.	1/6	-	1725	SO <sub>2</sub>	58C42A872	MIA74	C5A654	C5A686	C4A131	-	4218692
D2	230	D.C.	1/6	-	1725	SO <sub>2</sub>	58C42A873	MIA77	C5A654	C5A686	C4A131	-	4218692
D13	110	30	1/6	-	1725	SO <sub>2</sub>	5KC49B852	MIA72	C5A654	C5A686	C4A131	9AC253H1	-
D15	110	50	1/6	-	1425	SO <sub>2</sub>	5KC45A8612	MIA72	C5A655	C5A686	C4A120	9CG102S14	-
D16	110	60	1/6	-	1725	SO <sub>2</sub>	5KC45A8469	MIA72	C5A654	C5A686	C4A131	9CG101S14	-
D25	220	50	1/6	-	1425	SO <sub>2</sub>	5KC45A8578	MIA82	C5A655	C5A686	C4A120	9CG102S14	-
D26	220	60	1/6	-	1725	SO <sub>2</sub>	5KC45A893	MIA82	C5A654	C5A686	C4A131	9CG101D1	-
D302	230	D.C.	-	-	-	SO <sub>2</sub>	Not Furnished	MIA77	C5A654	C5A686	C4A131	-	-
CB-3D1	115	D.C.	1/6	-	1725	SO <sub>2</sub>	58C42A872	MIA74	C5A654	C5A686	C4A131	-	4218692
D2	230	D.C.	1/6	-	1725	SO <sub>2</sub>	58C42A873	MIA77	C5A654	C5A686	C4A131	-	4218692
D16	110	60	1/6	-	1725	SO <sub>2</sub>	5KC45A8469	MIA72	C5A654	C5A686	C4A131	9CG101S14	-
D25	220	50	1/6	-	1425	SO <sub>2</sub>	5KC45A8578	MIA82	C5A655	C5A686	C4A120	9CG102S14	-
D26	220	60	1/6	-	1725	SO <sub>2</sub>	5KC45A893	MIA82	C5A654	C5A686	C4A131	9CG101D1	-
D302	230	D.C.	-	-	-	SO <sub>2</sub>	Not Furnished	MIA77	C5A654	C5A686	C4A131	-	-
D392	-	-	-	-	-	SO <sub>2</sub>	Not Furnished	-	C5A654	C5A686	C4A131	-	-
D397	-	-	-	-	-	SO <sub>2</sub>	Not Furnished	-	C5A655	C5A686	-	-	-
CB-1F2	230	D.C.	1/6	-	1725	SO <sub>2</sub>	58C46A434	MIA49	C5A654	C5A686	C4A131	-	4215344
F12	110	25	1/6	-	1425	SO <sub>2</sub>	5KC49B8361	MIA31	C5A655	C5A686	C4A120	9AC253H1	-
F13	110	30	1/6	-	1725	SO <sub>2</sub>	5KC49B8362	MIA25	C5A654	C5A686	C4A131	9AC253H1	-
F15	110	50	1/6	-	1425	SO <sub>2</sub>	5KC45A857	MIA25	C5A655	C5A686	C4A120	9CG102S16	-
F16	110	60	1/6	-	1725	SO <sub>2</sub>	5KC45A852	MIA25	C5A654	C5A686	C4A131	9CG101D1	-
F25	220	50	1/6	-	1425	SO <sub>2</sub>	5KC45A8477	MIA27	C5A655	C5A686	C4A120	9CG102S14	-
F26	220	60	1/6	-	1725	SO <sub>2</sub>	5KC45A893	MIA27	C5A654	C5A686	C4A131	9CG101D1	-
F51	125	60	1/6	-	1725	SO <sub>2</sub>	5KC45A860	MIA31	C5A654	C5A686	C4A131	9CG101D1	-
F53	200	50	1/6	-	1425	SO <sub>2</sub>	5KC45A866	MIA28	C5A655	C5A686	C4A120	9CG102D1	-
F54	230	50	1/6	-	1425	SO <sub>2</sub>	5KC45A867	MIA27	C5A655	C5A686	C4A120	9CG102C1	-
F62	240	50	1/6	-	1425	SO <sub>2</sub>	5KC45A8107	MIA27	C5A655	C5A686	C4A120	9CG102D1	-
F315	110	50	-	-	-	SO <sub>2</sub>	-	MIA25	C5A655	C5A686	C4A120	9CG102D1	-
F391	115	D.C.	-	-	-	SO <sub>2</sub>	-	MIA48	C5A654	C5A686	C4A131	-	-
F406	220	60	-	-	-	SO <sub>2</sub>	-	-	C5A654	C5A686	C4A131	-	-
F407	220	50	-	-	-	SO <sub>2</sub>	-	-	C5A655	C5A686	C4A120	-	-
CB-2F2	230	D.C.	1/6	-	1725	SO <sub>2</sub>	58C46A434	MIA49	C5A654	C5A686	C4A131	-	4215344
F16	110	60	1/6	-	1725	SO <sub>2</sub>	5KC45A852	MIA25	C5A654	C5A686	C4A131	9CG101D1	-
F25	220	50	1/6	-	1425	SO <sub>2</sub>	5KC45A853	MIA27	C5A655	C5A686	C4A120	9CG102D1	-
F26	220	60	1/6	-	1725	SO <sub>2</sub>	5KC45A893	MIA27	C5A654	C5A686	C4A131	9CG101D1	-
F51	125	60	1/6	-	1725	SO <sub>2</sub>	5KC45A860	MIA31	C5A654	C5A686	C4A131	9CG101D1	-
F52	125	50	1/6	-	1425	SO <sub>2</sub>	5KC45A859	MIA25	C5A655	C5A686	C4A120	9CG102D1	-
F53	200	50	1/6	-	1425	SO <sub>2</sub>	5KC45A866	MIA28	C5A655	C5A686	C4A120	9CG102D1	-
F57	240	D.C.	1/6	-	1725	SO <sub>2</sub>	58C46A462	MIA49	C5A654	C5A686	C4A131	-	4215344
F62	240	50	1/6	-	1425	SO <sub>2</sub>	5KC45A8107	MIA27	C5A655	C5A686	C4A120	9CG102D1	-
F302	230	D.C.	-	-	-	SO <sub>2</sub>	-	MIA49	C5A654	C5A686	C4A131	-	-
F325	220	50	-	-	-	SO <sub>2</sub>	-	MIA27	C5A655	C5A686	C4A120	-	-
F385	-	50	-	-	-	SO <sub>2</sub>	Not Furnished	-	C5A655	C5A686	C4A120	-	-
F406	220	60	-	-	-	SO <sub>2</sub>	Not Furnished	-	C5A654	C5A686	C4A131	-	-
CB-3F2	230	D.C.	1/6	-	1725	SO <sub>2</sub>	58C46A434	MIA49	C5A654	C5A686	C4A131	-	4215344
F3	32	D.C.	1/6	-	1725	SO <sub>2</sub>	58C46A460	MIA50	C5A654	C5A686	C4A131	-	4215616
F15	110	50	1/6	-	1425	SO <sub>2</sub>	5KC45A857	MIA25	C5A655	C5A686	C4A120	9CG102S16	-
F16	110	60	1/6	-	1725	SO <sub>2</sub>	5KC45A852	MIA25	C5A654	C5A686	C4A131	9CG101D1	-
F25	220	50	1/6	-	1425	SO <sub>2</sub>	5KC45A853	MIA27	C5A655	C5A686	C4A120	9CG102D1	-
F26	220	60	1/6	-	1725	SO <sub>2</sub>	5KC45A893	MIA27	C5A654	C5A686	C4A131	9CG101D1	-
F301	115	D.C.	-	-	-	SO <sub>2</sub>	-	MIA48	C5A654	C5A686	C4A131	-	-
F326	220	60	-	-	-	SO <sub>2</sub>	-	MIA27	C5A654	C5A686	C4A131	-	-
F385	-	50	-	-	-	SO <sub>2</sub>	Not Furnished	-	C5A655	C5A686	C4A120	-	-
F392	-	-	-	-	-	SO <sub>2</sub>	Not Furnished	-	C5A654	C5A686	C4A131	-	-
F397	-	50	-	-	-	SO <sub>2</sub>	Not Furnished	-	C5A655	C5A686	-	-	-
F406	220	60	-	-	-	SO <sub>2</sub>	Not Furnished	-	C5A654	C5A686	C4A131	-	-

Always Give Catalog Number

## Model CB-1F, CB-2D, CB-2F, CB-3D, CB-3F—Machine Parts (Reciprocating Type Compressor) (Continued)

### Miscellaneous Parts for Model CB-2D & CB-3D Machines

CAT. NO.	NAME OF PART	CAT. NO.	NAME OF PART
C13A44	Air Duct Adapter (CB3D)	C20A79	Evaporator Tube Rubber Bushing (1-1/16 in. Dia.)
A20H2	Bellows Tube Clamp	E20A25	Evaporator Tube Rubber Bushing (15/16 in. Dia.)
C20H2	Bellows Tube Clamp Screw	M48195	Float Valve
C20H3	Bellows Tube Clamp Screw Nut	B20A80	Float Valve Cap
C15A353	Bottom Plate (CB2D)	C20A295	Float Valve Bracket
C15A354	Bottom Plate (CB3D)	C20A291	Float Valve Clamp Assembly
C20A76	Box Top Screw	C13A160	Liquid Receiver
C20A77	Box Top Screw Washer	C15A264	Mounting Support
C20A78	Box Top Screw Spacer	C20A58	Spring Mounting Assembly (17 turn Spring)
168039	Compressor Pulley Key	C20A4	Spring Mounting Assembly (20 turn Spring)
281387	Compressor Pulley Nut	C20A293	Spring Mounting Spring (17 turn)
65X455	Compressor Pulley Nut Lockwasher	C20A294	Spring Mounting Spring (20 turn)
C13A254	Condenser Complete	C20A292	Spring Mounting Adjusting Screw
C13A163	Condenser Fan Duct	C1A62	Service Suction Valve
C20A228	Condenser Fan Duct Cover	C1A51	Service Discharge Valve
C20A297	Control Panel Plate	C17A1	Service Valve Cap
C20A296	Control Panel Screw Spacer	C20A14	Service Valve Cap Gasket
E6A36	Evaporator (CB2D)	**C11A116	Service Valve Gasket (Composition)
E6A37	Evaporator (CB3D)	**C11A118	Service Valve Gasket (Copper and Lead)
C20A81	Evaporator Mounting Screw	C20A207	Service Valve Cap Screw
C20A82	Evaporator Mounting Screw Washer (Rubber)		
C20A83	Evaporator Mounting Screw Washer (Steel)		

\*\*Gaskets are not interchangeable. Replace defective gasket with one of same design.

### Miscellaneous Parts for Model CB-1F, CB-2F and CB-3F Machines

CAT. NO.	NAME OF PART	CAT. NO.	NAME OF PART
C13A44	Air Duct Adapter (CB3F)	C20A82	Evaporator Mounting Screw Washer (Rubber)
C20A54	Bellows Tube Clamp	C20A83	Evaporator Mounting Screw Washer (Steel)
C20A57	Bellows Tube Clamp Screw	I3919	Evaporator Mounting Screw Nut
C15A68	Bottom Plate (CB1F)	C20A300	Evaporator Mounting Strap (CB3F)
C15A69	Bottom Plate (CB2F)	C20A86	Evaporator Mounting Strap Spacer (CB3F)
C15A70	Bottom Plate (CB3F)	C13A42	Fan Duct Assembly
C20A76	Box Top Screw	C20A228	Fan Duct Cover
C20A77	Box Top Screw Washer	C1A26	Float Valve Complete with Bracket
C20A78	Box Top Screw Spacer	C13A160	Liquid Receiver
C20A299	Compressor Mounting	C20A79	Rubber Bushing for Evaporator Tube (1-1/16" Dia.)
168039	Compressor Pulley Key	11X341	Rubber Bushing for Evaporator Tube (15/16" Dia.)
281387	Compressor Pulley Nut	C20A4	Spring Mounting Assembly (20 turn Spring)
65X455	Compressor Pulley Nut Lockwasher	C20A58	Spring Mounting Assembly (17 turn Spring)
C13A255	Condenser Complete with Tubes	C20A292	Spring Mounting Adjusting Screw
C20A84	Connecting Cord	C20A293	Spring Mounting Spring (17 turns)
C20A63	Connecting Cable for Control (32 V. D.C.)	C20A294	Spring Mounting Spring (20 turns)
C20A64	Connecting Cable for Contactor (32 V. D.C.)	C20A298	Spring Support Strap (Compressor Side)
NP-57755	Escutcheon Plate (Defrost)	C1A62	Service Suction Valve
NP-57712	Escutcheon Plate (Non-defrost)	C1A51	Service Discharge Valve
NP-62638	Escutcheon Plate (Non-defrost)	C17A1	Service Valve Cap
11X909	Escutcheon Plate Screw	C20A14	Service Valve Cap Gasket
*C22A1	Evaporator (CB1F)	**C11A116	Service Valve Gasket (Composition)
*C22A2	Evaporator (CB2F)	**C11A118	Service Valve Gasket (Copper and Lead)
*C22A3	Evaporator (CB3F)	C20A207	Service Valve Cap Screw
C20A81	Evaporator Mounting Screw (CB1F & CB2F)		
C20A301	Evaporator Mounting Screw (CB3F)		

\*\*Gaskets are not interchangeable. Replace defective gasket with one of same design.

\*Identify your evaporator by the photographs on Page 10. If your evaporator is of the original type, the catalog numbers for which are shown in the above parts lists, order a like one as a replacement. When we cannot supply the original type evaporator, we will ship the CM-32 or CM-33 type with the necessary tubes and straps to install it. Catalog numbers for these evaporators are as follows:

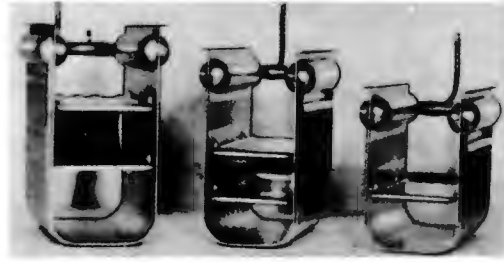
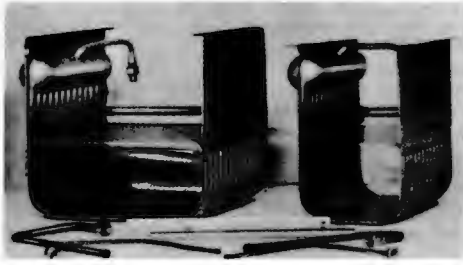
UNIT	EVAPORATOR WITH TUBES & STRAPS
CB1B, CB1C, CB1F	E6A41
CB2B, CB2C, CB2F	E6A42
CB3A, CB3B, CB3F	E6A43

If the refrigerator already has the CM-32 or CM-33 type evaporator, order as follows

UNIT	EVAPORATOR ONLY
CB1F	E6A20
CB2F	E6A20
CB3F	E6A22

Always Give Catalog Number

## Model CB-1F, CB-2D, CB-2F, CB-3D, CB-3F—Machine Parts (Reciprocating Type Compressor) (Continued)



E6A22 (Evap. only)  
E6A43

E6A20 (Evap. only)  
E6A41  
E6A42

Type CM-32 and 33 Evaporators

C22A3

C22A2

C22A1

Type CB Evaporators

### Compressors and Compressor Parts

Determine Catalog Number of compressor from nameplate on compressor or stamping on compressor block. From this Catalog Number of the compressor, refer to last pages of this section to determine Catalog Numbers of various compressor renewal parts.

Always Give Catalog Number

## Model CD-1A, CD-1B, CD-2A, CD-3A, CD-11A — Machine Parts (Rotary Type Compressor)

CAT. NO.	NAME OF PART	CAT. NO.	NAME OF PART
C20A54	Bellows Tube Clamp	5KC49AB7	Motor, 110 V. 40 cycle
C20A57	Bellows Tube Clamp Screw	5KC49AB14	Motor, 220 V. 40 cycle
C4A4	Belt, 110 V. 60 cycle, 115 and 230 V. D.C.	5KC49AB15	Motor, 250 V. 40 cycle
C4A2	Belt, 110 V. 25 and 50 cycle	5KC49BB146	Motor, 110 V. 25 cycle
C4A57	Belt, 110 V. 40 cycle	5KC49BB150	Motor, 220 V. 25 cycle
9CG101S2	Capacitor, 50 or 60 cycle	5BC42AB95	Motor, 115 V. D.C.
9CG101R4	Capacitor, 110 V. 60 cycle	5BC42AB96	Motor, 230 V. D.C.
9CG101R3	Capacitor, 50 cycle	5BC42AB104	Motor, 32 V. D.C.
9AC174HI	Capacitor, 110 V. 40 cycle	5BC42AB179	Motor, 125 V. D.C.
9AC355BI	Capacitor, 220 V. 40 cycle	5BC42AB129	Motor, 250 V. D.C.
9AC365BI	Capacitor, 250 V. 40 cycle	5BC42AB153	Motor, 150 V. D.C.
9AC253KI	Capacitor, 110 V. 25 cycle	C5B24	Motor Pulley, 60 cycle and D.C.
9AC191EI	Capacitor, 220 V. 25 cycle	C5B25	Motor Pulley, 25, 40 and 50 cycle
*C21A6	Compressor	3582952G2	Motor Cushion Base Assembly (60, 50 cycle and D.C. Motors)
C5B26	Compressor Pulley (Except 40 cycle)	4265260G1	Motor Cushion Base Assembly (25 and 40 cycle)
C5B5	Compressor Pulley (40 cycle)	5020752	Motor Base Spring (60,50 cycle & D.C. Motors)
168039	Compressor Pulley Key	5023887	Motor Cushion Spring (Compressor Side, 25 and 40 cycle)
281387	Compressor Pulley Nut	5023888	Motor Cushion Spring (Opposite Compressor Side, 25 and 40 cycle)
63X865	Compressor Pulley Nut Lockwasher	5007624G1	Motor Base Terminal Box Cushion Ring
C13A73	Condenser (CD1A, CD2A, CD11A)	5007624G2	Motor Base Cushion Ring (Pulley End)
C13A259	Condenser (CD1B)	C15A146	Mounting Support (Compressor Side)
C13A74	Condenser (CD3A)	C15A147	Mounting Support (Motor Side)
M1A13	Control, 110 V. 60 cycle	C15A148	Mounting Frame (except CD1B)
M1A36	Control, 110 V. 25 cycle, 125 V. 50 or 60 cycle	C15A355	Mounting Frame (CD1B)
M1A35	Control, 150 V. 50 or 60 cycle	C1A33	Service Valve (Discharge)
M1A34	Control, 110 V. 40 or 50 cycle, 100 V. 50 cycle	C1A34	Service Valve (Suction)
M1A37	Control, 220 V. 25,40 or 60 cycle, 250 V. 40 or 60 cycle, 240 V. 60 cycle	C17A72	Service Valve Cap
M1A38	Control, 220 V. 50 cycle, 240 V. 50 cycle, 250 V. 50 cycle	C20A14	Service Valve Cap Gasket
M1A40	Control, 200 V. 50 cycle	A19X46	Service Valve Pipe Plug
M1A51	Control, 115 V. D.C.	C11A36	Service Valve Gasket
M1A52	Control, 230 V. D.C.	C20A168	Service Valve Cap Screw
M1A53	Control, 32 V. D.C.	C20A191	Sealing Plate for Service Valves (Replacement)
M1A58	Control, 150 V. D.C.	**C16A134	Shaft Seal Assembly (Removable)
58X15	Locking Connector for Control	C11A22	Shaft Seal Gasket
NP60532	Escutcheon Plate (Except CD3A)	C16A36	Shaft Seal Clamping Plate (Inner)
NP60264	Escutcheon Plate (CD3A)	C16A35	Shaft Seal Clamping Plate (Outer)
C20A97	Escutcheon Plate Screw and Nut	C20A95	Shaft Seal Screw
E6A3	Evaporator (CD1A, CD1B, CD11A)	C20A93	Shaft Seal Oil Retainer
E6A4	Evaporator (CD2A)	C20A94	Shaft Seal Oil Retainer Cap
E6A5	Evaporator (CD3A)	223877	Shaft Seal Oil Retainer Cap Screw
M48141	Expansion Valve (CD1B)	C15A95	Spring Support Assembly
M488	Float Valve (Except CD1B)	C20A137	Spring Support Cup Washer (Top)
C13A164	Liquid Receiver (CD1B)	C20A138	Spring Support Cup Washer (Bottom)
5KC45AB251	Motor, 110 V. 60 cycle	C20A139	Spring Support Mounting Cushion (Top)
5KC45AB300	Motor, 220 V. 60 cycle	C20A140	Spring Support Mounting Cushion (Bottom)
5KC45AB405	Motor, 150 V. 60 cycle	C20A136	Spring Support Mounting Stud
5KC45AB347	Motor, 240 V. 60 cycle	C20A135	Spring Support Mounting Spring
5KC45AB327	Motor, 125 V. 60 cycle	C20A211	Spring Support Mounting Bushing (Beneath Spring)
5KC45AB404	Motor, 250 V. 60 cycle	C17A125	Tube and Conductor Assembly (CD1A)
5KC45AB355	Motor, 110 V. 50 cycle	C17A310	Tube and Conductor Assembly (CD1B)
5KC45AB356	Motor, 220 V. 50 cycle	C17A126	Tube and Conductor Assembly (CD2A Except CD2A3)
5KC45AB357	Motor, 125 V. 50 cycle	C17A308	Tube and Conductor Assembly (CD2A3)
5KC45AB358	Motor, 200 V. 50 cycle	C17A127	Tube and Conductor Assembly (CD3A Except CD3A3)
5KC45AB359	Motor, 230 V. 50 cycle	C17A309	Tube and Conductor Assembly (CD3A3)
5KC45AB346	Motor, 240 V. 50 cycle	C17A128	Tube and Conductor Assembly (CD11A)
5KC45AB348	Motor, 250 V. 50 cycle	M4834	Throttling Valve
5KC45AB375	Motor, 100 V. 50 cycle		

\*No longer available

\*\*Refer to the installation and service material section for parts of the assembly

## Model CD-1C, CD-1D, CD-2C, CD-3C, CD-11C—Machine Parts (Reciprocating Type Compressor) (Continued)

### Electrical Characteristics and Driving Equipment

MODEL	VOLTS	CYCLES	H. P.	PHASE	R. P. M.	GAS	MOTOR	CONTROL	MOTOR PULLEY WITH FAN	COM-PRESSOR PULLEY	BELT (2 REQ'D)	CAPACITOR	MOTOR BRUSH (2 REQ'D)
CD-1C1	115	D.C.	1/6	-	1725	SO <sub>2</sub>	5BC42AB95 or 5BC42AB190	MIA51	C5A700	C5A541	C4A123	-	4218692
C12	110	25	1/6	1	1425	SO <sub>2</sub>	5KC49BB146 or 5KC49BB198A	MIA36	C5A701	C5A541	C4A99	9AC253K1 9CG106S1	-
C15	110	50	1/6	1	1425	SO <sub>2</sub>	5KC45AB301 or 5KC45AB355	MIA34	C5A701	C5A541	C4A99	9CG102R3 9CG102S2	-
C16	110	60	1/6	1	1725	SO <sub>2</sub>	5KC45AB251 or 5KC45AB115	MIA13	C5A700	C5A541	C4A123	9CG101S2 9CG101R4	-
C25	220	50	1/6	1	1425	SO <sub>2</sub>	5KC45AB313 or 5KC45AB356	MIA38	C5A701	C5A541	C4A99	9CG102R3 9CG102S2	-
C363	250	D.C.	-	-	-	SO <sub>2</sub>	-	MIA52	C5A700	C5A541	C4A123	-	-
C385	220	50	-	-	-	SO <sub>2</sub>	-	-	C5A701	C5A541	C4A99	-	-
C392	-	-	-	-	-	SO <sub>2</sub>	-	-	C5A700	C5A541	C4A123	-	-
C402	250	D.C.	1/6	-	1725	SO <sub>2</sub>	5BC42AB259	MIA118	C5A700	C5A541	C4A123	-	4218692
C403	110	50	1/6	1	1425	SO <sub>2</sub>	5KC47AB462	MIA124	C5A701	C5A541	C4A99	9CG102S14	-
CD-1D16	110	60	1/6	1	1725	SO <sub>2</sub>	5KC45AB251	MIA13	C5A700	C5A541	C4A123	9CG101S2	-
CD-2C1	115	D.C.	1/6	-	1725	SO <sub>2</sub>	5BC42AB95 or 5BC42AB190	MIA51	C5A700	C5A541	C4A123	-	4218692
C2	230	D.C.	1/6	-	1725	SO <sub>2</sub>	5BC42AB96 or 5BC42AB191	MIA52	C5A700	C5A541	C4A123	-	4218692
C12	110	25	1/6	1	1425	SO <sub>2</sub>	5KC49BB146 or 5KC49BB198A	MIA36	C5A701	C5A541	C4A99	9AC253K1 9CG106S1	-
C15	110	50	1/6	1	1425	SO <sub>2</sub>	5KC45AB301 or 5KC45AB355	MIA34	C5A701	C5A541	C4A99	9CG102R3 9CG102S2	-
C16	110	60	1/6	1	1725	SO <sub>2</sub>	5KC45AB251 or 5KC45AB115	MIA13	C5A700	C5A541	C4A123	9CG101S2 9CG101R4	-
C25	220	50	1/6	1	1425	SO <sub>2</sub>	5KC45AB313 or 5KC45AB356	MIA38	C5A701	C5A541	C4A99	9CG102R3 9CG102S2	-
C302	230	D.C.	-	-	-	SO <sub>2</sub>	-	MIA52	C5A700	C5A541	C4A123	-	-
C392	-	-	-	-	-	SO <sub>2</sub>	-	-	C5A700	C5A541	C4A123	-	-
C398	220	50	1/6	1	1425	SO <sub>2</sub>	5KC45AB313A or 5KC45AB447	MIA38	C5A701	C5A541	C4A90	9CG102R3 9CG102S2	-
C401	230	D.C.	-	-	-	SO <sub>2</sub>	Not Furnished	MIA118	C5A700	C5A541	C4A123	-	-
C407	220	50	-	-	-	SO <sub>2</sub>	-	-	C5A701	C5A541	C4A99	-	-
CD-3C1	115	D.C.	1/6	-	1725	SO <sub>2</sub>	5BC42AB95 or 5BC42AB190	MIA51	C5A700	C5A541	C4A123	-	4218692
C3	32	D.C.	1/6	-	1725	SO <sub>2</sub>	5BC42AB104	MIA53	C5A700	C5A541	C4A123	-	4220388
C12	110	25	1/6	1	1425	SO <sub>2</sub>	5KC49BB146 or 5KC49BB198A	MIA36	C5A701	C5A541	C4A99	9AC253K1 9CG106S1	-
C15	110	50	1/6	1	1425	SO <sub>2</sub>	5KC45AB301 or 5KC45AB355	MIA34	C5A701	C5A541	C4A99	9CG102R3 9CG102S2	-
C16	110	60	1/6	1	1725	SO <sub>2</sub>	5KC45AB251 or 5KC45AB115	MIA13	C5A700	C5A541	C4A123	9CG101S2 9CG101R4	-
C25	220	50	1/6	1	1425	SO <sub>2</sub>	5KC45AB313A or 5KC45AB447	MIA38	C5A701	C5A541	C4A99	9CG102R3 9CG102S2	-
C63	250	D.C.	1/6	-	1725	SO <sub>2</sub>	5BC42AB129	MIA52	C5A700	C5A541	C4A123	-	4218692
C385	-	-	-	-	-	SO <sub>2</sub>	-	-	C5A701	C5A541	C4A99	-	-
C405	250	D.C.	-	-	-	SO <sub>2</sub>	-	-	C5A700	C5A541	C4A123	-	-
CD-11C16	110	60	1/6	1	1725	SO <sub>2</sub>	5KC45AB319	MIA13	C5A700	C5A541	C4A123	9CG101S3	-

Always Give Catalog Number



## Model CD-1C, CD-1D, CD-2C, CD-3C, CD-11C—Machine Parts (Reciprocating Type Compressor)

### MECHANICAL PARTS AND FRAME

CAT. NO.	NAME OF PART	CAT. NO.	NAME OF PART
C20A54	Bellows Tube Clamp	C15A146	Mounting Support (Compressor Side)
C20A57	Bellows Tube Clamp Screw	C15A147	Mounting Support (Motor Side)
168039	Compressor Pulley Key	C15A255	Mounting Plate for Compressor (CD1C, CD2C, CD3C)
281387	Compressor Pulley Nut	C15A356	Mounting Plate for Compressor (CD11C)
65X455	Compressor Pulley Nut Lockwasher (CD1C, CD2C)	C15A95	Spring Support Assembly
63X865	Compressor Pulley Nut Lockwasher (CD3C, CD11C)	C20A137	Spring Support Cup Washer (Top)
C13A73	Condenser (CD1C, CD2C, CD11C)	C20A138	Spring Support Cup Washer (Bottom)
C13A259	Condenser (CD1D)	C20A139	Spring Support Mounting Cushion (Top)
C13A74	Condenser (CD3C)	C20A140	Spring Support Mounting Cushion (Bottom)
58X15	Control Locking Connector	C20A136	Spring Support Mounting Stud
NP60532	Escutcheon Plate (Except CD3C)	C20A135	Spring Support Mounting Spring
NP60264	Escutcheon Plate (CD3C)	C20A211	Spring Support Mounting Bushing (Beneath Spring)
C20A97	Escutcheon Plate Screw and Nut	C1A51	Service Valve
E6A3	Evaporator (CD1C, CD1D, CD11C)	C17A1	Service Valve Cap
E6A4	Evaporator (CD2C)	C20A14	Service Valve Cap Gasket
E6A5	Evaporator (CD3C)	A19X46	Service Valve Pipe Plug
M4B141	Expansion Valve (CD1D)	*C11A116	Service Valve Gasket (Composition)
M4B8	Float Valve (except CD1D)	*C11A18	Service Valve Gasket (Copper and Lead)
C13A151	Liquid Receiver (CD1C, CD2C)	C20A207	Service Valve Cap Screw
C13A164	Liquid Receiver (CD1D, CD3C)	C17A125	Tube and Conductor Assembly (CD1C)
C13A160	Liquid Receiver (CD11C)	C17A310	Tube and Conductor Assembly (CD1D)
C20A302	Liquid Receiver Bracket (CD3C)	C17A126	Tube and Conductor Assembly (CD2C)
20X536	Liquid Receiver Mounting Screw (CD3C)	C17A127	Tube and Conductor Assembly (CD3C except CD3C3)
154193	Liquid Receiver Mounting Screw Lockwasher (CD3C)	C17A309	Tube and Conductor Assembly (CD3C3)
C15A148	Mounting Frame (except CD1D)	C17A128	Tube and Conductor Assembly (CD11C)
C15A355	Mounting Frame (CD1D)		

\*Gaskets are not interchangeable. Replace defective gasket with one of same design.

### Compressor and Compressor Parts

Determine Catalog Number of compressor from nameplate on compressor or stamping on compressor block. From this Catalog Number of the compressor, refer to last pages of this section to determine Catalog Numbers of various compressor renewal parts.

## Model CM-1A, CM-2A, CM-2B, CM-2C—Machine Parts

CAT. NO.	NAME OF PART	CAT. NO.	NAME OF PART
C20A55	Bellows Tube Clamp	C20A81	Evaporator Mounting Screw
C20A56	Bellows Tube Clamp Screw	13919	Evaporator Mounting Screw Nut
C4A1	Belt, 60 cycle and D.C.	C20A86	Evaporator Mounting Screw Spacer
C4A2	Belt, 50 and 25 cycle	C20A82	Evaporator Mounting Screw Washer (Rubber)
C4A4	Belt, 40 cycle	C20A83	Evaporator Mounting Screw Washer (Steel)
C18A59	Belt Guard (CM1A, CM2C)	C13A49	Fan Housing (CM1A)
C18A60	Belt Guard (CM2A)	C13A51	Fan Housing (CM2A)
C18A61	Belt Guard (CM2B)	C13A84	Fan Housing (CM2B)
C15A79	Bottom Plate (CM1A)	C13A50	Fan Housing (CM2C)
C15A82	Bottom Plate (CM2A)	C1A29	Float Valve with Liquid Receiver and Bracket (CM1A)
C15A80	Bottom Plate (CM2B)	M4B198	Float Valve (CM2A, CM2B)
C15A81	Bottom Plate (CM2C)	M4B197	Float Valve with Liquid Receiver and Bracket (CM2C)
C20A27	Bottom Plate Screw (except CM2C)	C13A257	Liquid Receiver (CM2A)
C20A88	Bottom Plate Screw (CM2C)	C13A258	Liquid Receiver (CM2B)
C20A77	Bottom Plate Screw Washer	5KC45AB354	Motor, 110 V. 60 cycle
E20A25	Bottom Plate Tube Gasket (15/16" Dia.)	5KC45AB56	Motor, 110 V. 50 cycle
C20A79	Bottom Plate Tube Gasket (1-1/16" Diam.)	5KC47AA114	Motor, 110 V. 40 cycle
9CG101S2	Capacitor, 110 V. 60 cycle	5KC49BB42	Motor, 110 V. 25 cycle
9CY25A1	Capacitor, 110 V. 50 cycle	5BC46A380	Motor, 32 V. D.C.
9AC174E1	Capacitor, 110 V. 40 cycle	5BC46A391	Motor, 115 V. D.C.
9AC253H1	Capacitor, 110 V. 25 cycle	5BC46A381	Motor, 230 V. D.C.
C5A560	Compressor Pulley, 60 cycle and D.C.	C5A1	Motor Pulley (except 40 cycle)
C5A5	Compressor Pulley, 25 and 50 cycle	C5A4	Motor Pulley (40 cycle)
C5A3	Compressor Pulley, 40 cycle	4215344	Motor Brush, 115 and 230 V. D.C.
C13A47	Condenser (CM1A, CM2C)	1752986	Motor Brush, 32 V. D.C.
C13A256	Condenser (CM2A)	*C16A159	Removable Shaft Seal Assembly
C13A48	Condenser (CM2B)	C15A31	Spring Support Assembly (6-1/2 turn Spring)
M1A55	Control, 110 V. 25, 40, 50 and 60 cycle	C20A284	Spring Mounting Cup Washer
M1A44	Control, 32 V. D.C.	C20A285	Spring Mounting Stud Cushion
M1A42	Control, 115 V. D.C.	C20A286	Spring Mounting Lower Cushion
M1A43	Control, 230 V. D.C.	C20A287	Spring Mounting Lower Retainer
58X15	Control, Locking Connector	C20A288	Spring Mounting Upper Cushion
M15B14	Contact for 32 V. D.C. Unit	C20A289	Spring Mounting Upper Retainer
NP56927	Escutcheon Plate	C20A283	Spring Mounting Spring
11X909	Escutcheon Plate Screw	C20A290	Spring Mounting Stud
*E6A27	Evaporator (CM1A)	1X452	Spring Mounting Stud Nut
*E6A38	Evaporator (CM2A)		
*E6A28	Evaporator (CM2B)		
*E6A39	Evaporator (CM2C)		

\*See Note on Page 13.

\*\*Refer to Installation and Service Material Section for parts of the Assembly.

# Model CM-1P, CM-2L, CM-2M—Machine Parts

## (Reciprocating Type Compressor)

### Electrical Characteristics and Driving Equipment

MODEL	VOLTS	CYCLES	H.P.	PHASE	R.P.M.	GAS	MOTOR	CONTROL	OVERLOAD HEATER	MOTOR PULLEY WITH FAN	COM-PRESSOR PULLEY	BELT (2 REQ'D)	CAPACITOR	MOTOR BRUSH (2 REQ'D)
CM-1P1	115	D.C.	1/6	-	1725	SO <sub>2</sub>	5BC46A391	MIA42	4961092P20	C5A685	C5A686	C4A124	-	4215344
P2	230	D.C.	1/6	-	1725	SO <sub>2</sub>	5BC46A381	MIA43	4961092P26	C5A685	C5A686	C4A124	-	4215344
PI2	110	25	1/6	I	1425	SO <sub>2</sub>	5KC49BA392	MIA55	4961092P19	C5A703	C5A686	C4A63	9AC253E1	-
PI4	110	40	1/6	I	1140	SO <sub>2</sub>	5KC47AA114	MIA55	4961092P19	C5A703	C5A686	C4A63	9AC174E1	-
PI5	110	50	1/6	I	1425	SO <sub>2</sub>	5KC45AB56	MIA55	4961092P19	C5A703	C5A686	C4A63	9CY25A1	-
PI6	110	60	1/6	I	1725	SO <sub>2</sub>	5KC45AB354	MIA55	4961092P19	C5A685	C5A686	C4A124	9CG101S2	-
CM-2L1	115	D.C.	1/6	-	1725	SO <sub>2</sub>	5BC46A379	MIA48	4961092P20	C5A689	C5A686	C4A124	-	4215344
L16	110	60	1/6	I	1725	SO <sub>2</sub>	5KC45AA542	MIA25	4961092P19	C5A689	C5A686	C4A124	9AC250N1	-
CM-2M1	115	D.C.	1/6	-	1725	SO <sub>2</sub>	5BC46A379	MIA48	4961092P20	C5A685	C5A686	C4A124	-	4215344
M12	110	25	1/6	I	1425	SO <sub>2</sub>	5KC49BA392	MIA31	4961092P10	C5A703	C5A686	C4A63	9AC253E1	-
M15	110	50	1/6	I	1425	SO <sub>2</sub>	5KC45AB56	MIA25	4961092P19	C5A703	C5A686	C4A63	9CY25A1	-
M16	110	60	1/6	I	1725	SO <sub>2</sub>	5KC45AA617	MIA25	4961092P19	C5A685	C5A686	C4A124	9AC250Q1	-

### Mechanical Parts and Frame

CAT. NO.	NAME OF PART	CAT. NO.	NAME OF PART
C20A281	Adapter Plate Assembly	C13A84	Fan Housing (CM2L)
C20A55	Bellows Tube Clamp	C13A50	Fan Housing (CM2M)
C20A56	Bellows Tube Clamp Screw	C1A26	Float Valve (CM1P)
C18A59	Belt Guard (CM1P, CM2M)	M4B198	Float Valve (CM2L)
C18A61	Belt Guard (CM2L)	M4B197	Float Valve with Liquid Receiver and Bracket (CM2M)
C15A79	Bottom Plate (CM1P)	C13A258	Liquid Receiver (CM2L)
C15A80	Bottom Plate (CM2L)	C13A160	Liquid Receiver (CM1P)
C15A81	Bottom Plate (CM2M)	C20A282	Motor Spacer
C20A87	Bottom Plate Screw (CM1P, CM2L)	C15A78	Spring Support Assembly (3-1/2 turn Spring)
C20A88	Bottom Plate Screw (CM2M)	C15A31	Spring Support Assembly (6-1/2 turn Spring)
C20A77	Bottom Plate Screw Washer	C20A284	Spring Mounting Cup Washer
E20A25	Bottom Plate Tube Gasket (15/16" Diam.)	C20A285	Spring Mounting Stud Cushion
C20A79	Bottom Plate Tube Gasket (1-1/16" Diam.)	C20A286	Spring Mounting Lower Cushion
65X455	Compressor Pulley Lockwasher	C20A287	Spring Mounting Lower Retainer
C13A47	Condenser (CM1P, CM2M)	C20A288	Spring Mounting Upper Cushion
C13A48	Condenser (CM2L)	C20A289	Spring Mounting Upper Retainer
58X15	Control Locking Connector	C20A229	Spring Mounting Spring (3-1/2 turn)
M15B14	Contact for 32 V. D.C.	C20A283	Spring Mounting Spring (6-1/2 turn)
NP56927	Escutcheon Plate	C20A230	Spring Mounting Washer (Sponge Rubber)
11X909	Escutcheon Plate Screw	C20A290	Spring Mounting Stud
*E6A27	Evaporator (CM1P)	1X452	Spring Mounting Stud Nut
*E6A28	Evaporator (CM2L)	C1A62	Service Suction Valve
*E6A39	Evaporator (CM2M)	C1A51	Service Discharge Valve
C20A81	Evaporator Mounting Screw	C17A1	Service Valve Cap
13919	Evaporator Mounting Screw Nut	C20A14	Service Valve Cap Gasket
C20A86	Evaporator Mounting Screw Spacer	**C11A116	Service Valve Gasket (Composition)
C20A82	Evaporator Mounting Screw Washer (Rubber)	**C11A18	Service Valve Gasket (Copper and Lead)
C20A83	Evaporator Mounting Screw Washer (Steel)	C20A207	Service Valve Cap Screw
C20A311	Evaporator Mounting Strap		
C20A86	Evaporator Support Spacer (CM2L, CM2M)		
C13A49	Fan Housing (CM1P)		

\*\*Gaskets are not interchangeable. Replace defective gasket with one of same design.

\*Identify your evaporator by the photographs on Page 13. If your evaporator is the original type, the catalog numbers for which are shown in the Parts Lists above, order a like one as a replacement. When we cannot supply the original type evaporator, we will ship the CM-32 or CM-33 type evaporator with the necessary tubes and straps to install it. Catalog numbers for these evaporators are as follows:

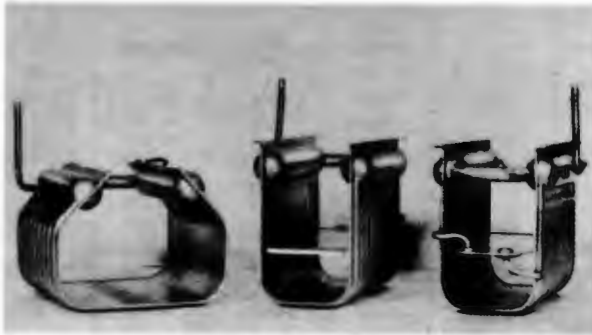
UNIT	EVAPORATOR WITH TUBES AND STRAPS
CM1A, CM1P	E6A44
CM2B, CM2L	E6A45
CM2C, CM2M	E6A46

If the refrigerator already has the CM-32 or CM-33 type evaporator, and you wish to replace it with a like type, order as follows:

UNIT	EVAPORATOR ONLY
CM1P	E6A20
CM2L	E6A22
CM2M	E6A22

Always Give Catalog Number

**Model CM-1P, CM-2L, CM-2M—Machine Parts (Continued)**  
**(Reciprocating Type Compressor)**



E6A39  
E6A38  
E6A28

E6A27 (Front)

E6A27 (Rear)

Type CM-1 and 2 Evaporators



E6A22 (Evap. only)  
E6A45  
E6A46

E6A20 (Evap. only)  
E6A44

Type CM-32 and 33 Evaporators

**COMPRESSOR AND COMPRESSOR PARTS**

Determine Catalog Number of Compressor from Nameplate on Compressor or stamping on Compressor Block. From the Catalog Number of the Compressor, refer to last pages of this section to determine Catalog Numbers of various Compressor Renewal Parts.

Always Give Catalog Number

## Model CM-32 - Machine Parts

### Electrical Characteristics and Driving Equipment

MODEL	VOLTS	CYCLES	H.P.	PHASE	R.P.M.	GAS	MOTOR	MOTOR PULLEY WITH FAN	COM-PRESSOR PULLEY	BELT (2 REQ'D)	CONTROL	UNIT MOUNT'G FRAME
A1	115	D.C.	1/6	-	1725	SO <sub>2</sub>	58C42AB190	C5A507	C5A541	C4A99	MIA74	C15A222
A2	230	D.C.	1/6	-	1725	SO <sub>2</sub>	58C42AB191	C5A507	C5A541	C4A99	MIA77	C15A222
A3	32	D.C.	1/6	-	1725	SO <sub>2</sub>	58C42AB192	C5A507	C5A541	C4A99	MIA73	C15A222
A12	110	25	1/6		1425	SO <sub>2</sub>	5KC49BB198A	C5A509	C5A541	C4A116	MIA76	C15A222
A13	120	30	1/6		1725	SO <sub>2</sub>	5KC49BB197	C5A507	C5A541	C4A99	MIA76	C15A222
A14	110	40	1/6		1140	SO <sub>2</sub>	5KC49AB18	C5A508	C5A541	C4A63	MIA75	C15A222
A15	110	50	1/6		1425	SO <sub>2</sub>	5KC47AB462	C5A509	C5A541	C4A116	MIA72	C15A222
A16	110	60	1/6		1725	SO <sub>2</sub>	5KC45AB395 or 5KC45AB403	C5A507	C5A541	C4A99	MIA72	C15A222
A25	220	50	1/6		1425	SO <sub>2</sub>	5KC45AB313A or 5KC45AB447	C5A509	C5A541	C4A116	MIA82	C15A222
A26	220	60	1/6		1725	SO <sub>2</sub>	5KC45AB300A or 5KC45AB470	C5A507	C5A541	C4A99	MIA82	C15A222
A51	125	60	1/6		1725	SO <sub>2</sub>	5KC45AB327A or 5KC45AB453	C5A507	C5A541	C4A99	MIA110	C15A222
A52	125	50	1/6		1425	SO <sub>2</sub>	5KC45AB326A or 5KC45AB451	C5A509	C5A541	C4A116	MIA110	C15A222
A54	230	50	1/6		1425	SO <sub>2</sub>	5KC45AB448	C5A509	C5A541	C4A116	MIA82	C15A222
A379	110	50	1/6		1425	SO <sub>2</sub>	5KC47AB462	C5A509	C5A541	C4A116	MIA72	C15A223
A389	-	-	-	Less Motor	-	SO <sub>2</sub>	-	C5A509	C5A541	C4A116	MIA76	C15A223
A391	-	-	-	Less Motor	-	SO <sub>2</sub>	-	C5A507	C5A541	C4A99	MIA74	C15A223
A396	-	-	-	Less Motor	-	SO <sub>2</sub>	-	C5A507	C5A541	C4A99	MIA77	C15A223
A398	220	50	1/6		1425	SO <sub>2</sub>	5KC45AB313A or 5KC45AB447	C5A509	C5A541	C4A116	MIA82	C15A223
B1	115	D.C.	1/6	-	1725	SO <sub>2</sub>	58C42AB190	C5A507	C5A541	C4A99	MIA74	C15A222
B2	230	D.C.	1/6	-	1725	SO <sub>2</sub>	58C42AB191	C5A507	C5A541	C4A99	MIA77	C15A222
B3	32	D.C.	1/6	-	1725	SO <sub>2</sub>	58C42AB192	C5A507	C5A541	C4A99	MIA73	C15A222
B12	110	25	1/6		1425	SO <sub>2</sub>	5KC49BB198A	C5A509	C5A541	C4A116	MIA76	C15A222
B13	120	30	1/6		1725	SO <sub>2</sub>	5KC49BB197	C5A507	C5A541	C4A99	MIA76	C15A222
B14	110	40	1/6		1140	SO <sub>2</sub>	5KC49AB18	C5A508	C5A541	C4A90	MIA75	C15A222
B15	110	50	1/6		1425	SO <sub>2</sub>	5KC47AB462	C5A509	C5A541	C4A116	MIA72	C15A222
B16	110	60	1/6		1725	SO <sub>2</sub>	5KC45AB395 or 5KC45AB403	C5A507	C5A541	C4A99	MIA72	C15A222
B22	220	25	1/6		1425	SO <sub>2</sub>	5KC49BB347	C5A509	C5A541	C4A116	MIA82	C15A222
B24	220	40	1/6		1140	SO <sub>2</sub>	5KC49AB56	C5A508	C5A541	C4A90	MIA82	C15A222
B25	220	50	1/6		1425	SO <sub>2</sub>	5KC45AB313A or 5KC45AB447	C5A509	C5A541	C4A116	MIA82	C15A222
B26	220	60	1/6		1725	SO <sub>2</sub>	5KC45AB300A or 5KC45AB470	C5A507	C5A541	C4A99	MIA82	C15A222
B51	125	60	1/6		1725	SO <sub>2</sub>	5KC45AB327A or 5KC45AB453	C5A507	C5A541	C4A99	MIA110	C15A222
B52	125	50	1/6		1425	SO <sub>2</sub>	5KC45AB326A or 5KC45AB451	C5A509	C5A541	C4A116	MIA110	C15A222
B53	200	50	1/6		1425	SO <sub>2</sub>	5KC45AB530	C5A509	C5A541	C4A116	MIA89	C15A222
B54	230	50	1/6		1425	SO <sub>2</sub>	5KC45AB448	C5A509	C5A541	C4A116	MIA82	C15A222
B58	125	D.C.	1/6	-	1725	SO <sub>2</sub>	58C42AB270	C5A507	C5A541	C4A99	MIA74	C15A222
B59	250	40	1/6		1140	SO <sub>2</sub>	5KC49AB50	C5A508	C5A541	C4A90	MIA82	C15A222
B63	250	D.C.	1/6	-	1725	SO <sub>2</sub>	58C42AB259	C5A507	C5A541	C4A99	MIA77	C15A222
B64	250	50	1/6		1425	SO <sub>2</sub>	5KC45AB531	C5A509	C5A541	C4A116	MIA82	C15A222
B65	150	50	1/6		1425	SO <sub>2</sub>	5KC45AB498	C5A509	C5A541	C4A116	MIA150	C15A222
B66	150	D.C.	1/6	-	1725	SO <sub>2</sub>	58C42AB416	C5A507	C5A541	C4A99	MIA93	C15A222
B302	230	D.C.	-	-	-	SO <sub>2</sub>	-	C5A507	C5A541	C4A99	MIA77	C15A222
B325	220	50	1/6	-	-	SO <sub>2</sub>	-	C5A509	C5A541	C4A116	MIA82	C15A222
B376	125	50	1/6		1425	SO <sub>2</sub>	5KC45AB451	C5A509	C5A541	C4A116	MIA110	C15A223
B385	-	50	1/6	-	-	SO <sub>2</sub>	-	C5A509	C5A541	C4A116	-	C15A222
B389	110	25	1/6	-	-	SO <sub>2</sub>	-	C5A509	C5A541	C4A116	MIA76	C15A223
B391	115	D.C.	1/6	-	-	SO <sub>2</sub>	-	C5A507	C5A541	C4A99	MIA74	C15A223
B393	-	60/D.C.	-	-	-	SO <sub>2</sub>	-	-	C5A541	-	-	C15A223
B394	115	D.C.	1/6	-	1725	SO <sub>2</sub>	58C42AB190	C5A507	C5A541	C4A99	MIA74	C15A223
B396	230	D.C.	1/6	-	-	SO <sub>2</sub>	-	C5A507	C5A541	C4A99	MIA77	C15A223
B398	220	50	1/6		1425	SO <sub>2</sub>	5KC45AB313A or 5KC45AB447	C5A509	C5A541	C4A116	MIA82	C15A223
B404	220	50	-	-	-	SO <sub>2</sub>	-	C5A509	C5A541	C4A116	MIA82	C15A223
B408	-	-	-	-	-	SO <sub>2</sub>	-	-	C5A541	-	-	C15A222
CI	115	D.C.	1/6	-	1725	F12	58C42AB190	C5A507	C5A541	C4A99	MIA74	C15A222

Always Give Catalog Number

## Model CM-32 - Machine Parts (Cont.)

### Electrical Characteristics and Driving Equipment

Model	Volts	Cycles	H.P.	Phase	R.P.M.	Gas	Motor	Motor Pulley With Fan	Compressor Pulley	Belt (2 Req'd)	Control	Unit Mount'g Frame
C16	110	60	1/6	1	1725	F12	5KC45AB395 5KC45AB403	C5A507	C5A541	C4A99	M1A72	C15A222
D1	115	D.C.	1/6	-	1725	F12	5BC42AB72B	C5A507	C5A541	C4A99	M1A74	C15A222
E1	115	D.C.	1/6	-	1725	S0 <sub>2</sub>	5BC42AB190	C5A507	C5A541	C4A99	M1A74	C15A222
E2	230	D.C.	1/6	-	1725	S0 <sub>2</sub>	5BC42AB191	C5A507	C5A541	C4A99	M1A77	C15A222
E16	110	60	1/6	1	1725	S0 <sub>2</sub>	5KC45AB395 5KC45AB403	C5A507	C5A541	C4A99	M1A72	C15A222
E58	125	D.C.	1/6	-	1725	S0 <sub>2</sub>	5BC42AB270	C5A507	C5A541	C4A99	M1A74	C15A222
E63	250	D.C.	1/6	-	1725	S0 <sub>2</sub>	5BC42AB259	C5A507	C5A541	C4A99	M1A77	C15A222
E66	150	D.C.	1/6	-	1725	S0 <sub>2</sub>	5BC42AB416	C5A507	C5A541	C4A99	M1A93	C15A222
E302	230	D.C.	-	-	-	S0 <sub>2</sub>	-	C5A507	C5A541	C4A99	M1A77	C15A222
E385	-	-	Less Motor			S0 <sub>2</sub>	-	C5A507	C5A541	C4A99	-	C15A222
E394	115	D.C.	1/6	-	1725	S0 <sub>2</sub>	5BC42AB190	C5A507	C5A541	C4A99	M1A74	C15A222
E416	230	D.C.	1/5	-	1725	S0 <sub>2</sub>	5BC42AB570	C5A507	C5A541	C4A99	M1A161	C15A222
E417	115	D.C.	1/6	-	1725	S0 <sub>2</sub>	5BC42AB190	C5A507	C5A541	C4A99	M1A74	C15A223
E422	230	D.C.	1/6	-	1725	S0 <sub>2</sub>	5BC42AB191	C5A507	C5A541	C4A99	M1A77	C15A223
F1	115	D.C.	1/6	-	1725	F12	5BC42AB72 5BC42AB72B	C5A507	C5A541	C4A99	M1A74	C15A310
H49	440	60	1/6	3	1725	F12	5KC43AC656	C5A507	C5A541	C4A99	M4B145	C15A222
J1	115	D.C.	1/6	-	1725	F12	5BC42AB190	C5A507	C5A541	C4A99	M1A74	C15A222
J2	230	D.C.	1/6	-	1725	F12	5BC42AB191	C5A507	C5A541	C4A99	M1A77	C15A222
J3	32	D.C.	1/6	-	1725	F12	5BC42AB192	C5A507	C5A541	C4A99	M1A73	C15A222
J12	110	25	1/6	1	1425	F12	5KC49BB198A 5KC45AB395	C5A509	C5A541	C4A116	M1A76	C15A222
J16	110	60	1/6	1	1725	F12	5KC45AB403	C5A507	C5A541	C4A99	M1A72	C15A222
J63	250	D.C.	1/6	-	1725	F12	5BC42AB259	C5A507	C5A541	C4A99	M1A77	C15A222
J393	-	-	Less Motor			F12	-	-	C5A541	-	-	C15A222
K1	115	D.C.	1/6	-	1725	F12	5BC42AB190	C5A507	C5A541	C4A99	M1A74	C15A222
K2	230	D.C.	1/6	-	1725	F12	5BC42AB191	C5A507	C5A541	C4A99	M1A77	C15A222
K3	32	D.C.	1/6	-	1725	F12	5BC42AB192	C5A507	C5A541	C4A99	M1A73	C15A222
K416	230	D.C.	1/5	-	1725	F12	5BC42AB570	C5A507	C5A541	C4A99	M1A77	C15A222
L1	115	D.C.	1/6	-	1725	F12	5BC42AB1108X	C5A507	C5A541	C4A99	M1A236	C15A222
L2	230	D.C.	1/6	-	1725	F12	-	C5A507	C5A541	C4A99	M1A236	C15A222

Always Give Catalog Number

## Model CM-32 - Machine Parts (Cont.)

### Mechanical Parts and Frame

Cat. No.	Description	Cat. No.	Description
C13A102	Condenser Complete (Models A-C-D-F-H-J-K-L)	63X864	Lockwasher for Mounting Frame Screw
C13A129	Condenser Complete (Models B and E)	66X796	Shipping Crate Bolt
E6A21	Evaporator with Float Valve (Models A-B-E)	47346	Nut for Shipping Crate Bolt
E6A17	Evaporator only	63X864	Lockwasher for Shipping Crate Bolt Nut
M4B56	Float Valve and Mounting Assembly (Models A-B-E)	C15A220	Mounting Support (Motor Side) (Models A-B-C-E-J-K-L)
E20A39	Float Valve Clamp, Support & Screw (Models A-B-E)	C15A312	Mounting Support (Motor Side) (Models D, F & H)
M4B55	Float Valve (Models A-B-E)	C15A221	Mounting Support (Compressor Side) (Models A-B-C-E-J-K-L)
E20A33	Flare Nut for Float Valve Connection (Models A-B-E)	C15A311	Mounting Support (Compressor Side) (Models D-F and H)
E20A32	Float Valve Seal Cover (Models A-B-E)	C15A95	Mounting Spring Assembly (Models A-B-C-E-J-K-L)
E6A23	Evaporator with Expansion Valve (Models C-D-F-H-J)	C20A136	Screw
E6A52	Evaporator with Expansion Valve (Model K)	C20A137	Cup washer, top
E6A60	Evaporator with Expansion Valve (Model L)	C20A138	Cup washer, bottom
E6A17	Evaporator only (Models C-D-F-H-J)	C20A139	Mounting cushion, top
E6A53	Evaporator only (Model K)	C20A140	Mounting cushion, bottom
E6A61	Evaporator only (Model L)	C20A211	Mounting cushion, beneath spring
M4B119	Expansion Valve (Models C-D-F-H-J-K-L)	C20A135	Spring
C20A81	Evaporator Support Screw (Except Model L)	M15B15	Contactors (Models A3, B3, J3, and K3)
I3919	Evaporator Support Screw Nut (Except Model L)	58X15	Locking Connector for Control
NP64072	Escutcheon Plate (Except Model L)	66X133	Motor Pulley Set Screw
M15A55	Escutcheon Plate (Model L)	C20A205	Motor Connecting Cord (except CM-32F)
C20A97	Escutcheon Plate Screw and Nut	C20A423	Motor Connecting Cord (CM-32F)
C20H19	Thermostat Clamp (Except Model L)	B20A46	Rubber Mounting (Models D, F and H)
C20A752	Thermostat Clamp (Model L)	C20A422	Rubber Mounting Cup Washer (Models D, F and H)
C20H20	Thermostat Clamp Screw (Except Model L)	C17A176	Tube and Conductor Assembly (all Model "A" except A3)
C13A103	Liquid Receiver Assembly (Model A)	C17A179	Tube and Conductor Assembly (Model A3)
C13A128	Liquid Receiver Assembly (Models B and E)	C17A193	Tube and Conductor Assembly (all Model "B" except B3)
C13A109	Liquid Receiver Assembly (Models C-D-F-H-J-K-L)	C17A194	Tube and Conductor Assembly (Model B3)
C1A50	Liquid Receiver Valve (Model A)	C17A270	Tube and Conductor Assembly (Models C and D)
C1A57	Liquid Receiver Valve (Models B and E)	C17A271	Tube and Conductor Assembly (Model F)
C1A46	Liquid Receiver Valve (Models C-D-F-H-J-K-L)	C17A272	Tube and Conductor Assembly (Model E)
C17A1	Liquid Receiver Valve Cap	C17A304	Tube and Conductor Assembly (Model H)
C20A14	Liquid Receiver Valve Cap Gasket	C17A303	Tube and Conductor Assembly (Model J)
281387	Compressor Pulley Nut	C17A326	Tube and Conductor Assembly (Model K-L)
65X455	Compressor Pulley Nut Lockwasher	2240589G102	Motor Control (Model H49)
I68039	Compressor Pulley Key	81D2	Heater (Model H49)
C20A199	Shipping Screw		

### Compressor and Compressor Parts

Cat. No.	Description
C21A51	Compressor (Model A, B)
C21A91	Compressor (Model C, D, F, H, J)
C21A76	Compressor (Model E)
C21A91	Compressor (Model K, L)
C21A141	
C21A169	

Note: For compressor parts refer to the last pages in this section.

Always Give Catalog Number

## Model CM-33 - Machine Parts

Electrical Characteristics and Driving Equipment

MODEL	VOLTS	CYCLES	H.P.	PHASE	R.P.M.	GAS	MOTOR	MOTOR PULLEY WITH FAN	COM-PRESSOR PULLEY	BELT (2 REQ'D)	CONTROL	UNIT MOUNT'G FRAME
A1	115	D.C.	1/6	-	1725	SO <sub>2</sub>	58C42AB190	C5A507	C5A541	C4A99	MIA74	C15A222
A2	230	D.C.	1/6	-	1725	SO <sub>2</sub>	58C42AB191	C5A507	C5A541	C4A99	MIA77	C15A222
A3	32	D.C.	1/6	-	1725	SO <sub>2</sub>	58C42AB192	C5A507	C5A541	C4A99	MIA73	C15A222
A12	110	25	1/6	1	1425	SO <sub>2</sub>	5KC49BB198A	C5A509	C5A541	C4A116	MIA76	C15A222
A13	120	30	1/6	1	1725	SO <sub>2</sub>	5KC49BB197	C5A507	C5A541	C4A99	MIA76	C15A222
A14	110	40	1/6	1	1140	SO <sub>2</sub>	5KC49AB18	C5A508	C5A541	C4A63	MIA75	C15A222
A15	110	50	1/6	1	1425	SO <sub>2</sub>	5KC47AB462	C5A509	C5A541	C4A116	MIA72	C15A222
A16	110	60	1/6	1	1725	SO <sub>2</sub>	5KC45AB395 or 5KC45AB403	C5A507	C5A541	C4A99	MIA72	C15A222
A25	220	50	1/6	1	1425	SO <sub>2</sub>	5KC45AB447	C5A509	C5A541	C4A116	MIA82	C15A222
A26	220	60	1/6	1	1725	SO <sub>2</sub>	5KC45AB300A or 5KC45AB470	C5A507	C5A541	C4A99	MIA82	C15A222
A51	125	60	1/6	1	1725	SO <sub>2</sub>	5KC45AB327A or 5KC45AB453	C5A507	C5A541	C4A99	MIA110	C15A222
A52	125	50	1/6	1	1425	SO <sub>2</sub>	5KC45AB326A or 5KC45AB451	C5A509	C5A541	C4A116	MIA110	C15A222
A54	230	50	1/6	1	1425	SO <sub>2</sub>	5KC45AB448	C5A509	C5A541	C4A116	MIA82	C15A222
A379	110	50	1/6	1	1425	SO <sub>2</sub>	5KC47AB462	C5A509	C5A541	C4A116	MIA72	C15A223
A389	-	-	Less Motor	-	-	SO <sub>2</sub>	-	C5A509	C5A541	C4A116	MIA76	C15A223
A391	-	-	Less Motor	-	-	SO <sub>2</sub>	-	C5A507	C5A541	C4A99	MIA74	C15A223
A396	-	-	Less Motor	-	-	SO <sub>2</sub>	-	C5A507	C5A541	C4A99	MIA77	C15A223
A398	220	50	1/6	1	1425	SO <sub>2</sub>	5KC45AB313A or 5KC45AB447	C5A509	C5A541	C4A116	MIA82	C15A223
B1	115	D.C.	1/6	-	1725	SO <sub>2</sub>	58C42AB190	C5A507	C5A541	C4A99	MIA74	C15A222
B2	230	D.C.	1/6	-	1725	SO <sub>2</sub>	58C42AB191	C5A507	C5A541	C4A99	MIA77	C15A222
B3	32	D.C.	1/6	-	1725	SO <sub>2</sub>	58C42AB192	C5A507	C5A541	C4A99	MIA73	C15A222
B12	110	25	1/6	1	1425	SO <sub>2</sub>	5KC49BB198A	C5A509	C5A541	C4A116	MIA76	C15A222
B13	120	30	1/6	1	1725	SO <sub>2</sub>	5KC49BB197	C5A507	C5A541	C4A99	MIA76	C15A222
B14	110	40	1/6	1	1140	SO <sub>2</sub>	5KC49AB18	C5A508	C5A541	C4A90	MIA75	C15A222
B15	110	50	1/6	1	1425	SO <sub>2</sub>	5KC47AB462	C5A509	C5A541	C4A116	MIA72	C15A222
B16	110	60	1/6	1	1725	SO <sub>2</sub>	5KC45AB395 or 5KC45AB403	C5A507	C5A541	C4A99	MIA72	C15A222
B25	220	50	1/6	1	1425	SO <sub>2</sub>	5KC45AB313A or 5KC45AB447	C5A509	C5A541	C4A116	MIA82	C15A222
B51	125	60	1/6	1	1725	SO <sub>2</sub>	5KC45AB327A or 5KC45AB453	C5A507	C5A541	C4A99	MIA110	C15A222
B52	125	50	1/6	1	1425	SO <sub>2</sub>	5KC45AB326A or 5KC45AB451	C5A509	C5A541	C4A116	MIA110	C15A222
B53	200	50	1/6	1	1425	SO <sub>2</sub>	5KC45AB530	C5A509	C5A541	C4A116	MIA89	C15A222
B54	230	50	1/6	1	1425	SO <sub>2</sub>	5KC45AB448	C5A509	C5A541	C4A116	MIA82	C15A222
B58	125	D.C.	1/6	-	1725	SO <sub>2</sub>	58C42AB270	C5A507	C5A541	C4A99	MIA74	C15A222
B59	250	40	1/6	1	1140	SO <sub>2</sub>	5KC49AB50	C5A508	C5A541	C4A90	MIA82	C15A222
B63	250	D.C.	1/6	-	1725	SO <sub>2</sub>	58C42AB259	C5A507	C5A541	C4A99	MIA77	C15A222
B64	250	50	1/6	1	1425	SO <sub>2</sub>	5KC45AB531	C5A509	C5A541	C4A116	MIA82	C15A222
B325	220	50	-	-	-	SO <sub>2</sub>	-	C5A509	C5A541	C4A116	MIA82	C15A222
B376	125	50	1/6	1	1425	SO <sub>2</sub>	5KC45AB326A or 5KC45AB451	C5A509	C5A541	C4A116	MIA110	C15A223
B389	110	25	-	-	-	SO <sub>2</sub>	-	C5A509	C5A541	C4A116	MIA76	C15A223
B391	115	D.C.	-	-	-	SO <sub>2</sub>	-	C5A507	C5A541	C4A99	MIA74	C15A223
B393	-	60/D.C.	-	-	-	SO <sub>2</sub>	-	-	C5A541	-	-	C15A223
B394	115	D.C.	1/6	-	1725	SO <sub>2</sub>	58C42AB190	C5A507	C5A541	C4A99	MIA74	C15A223
B396	230	D.C.	-	-	-	SO <sub>2</sub>	-	C5A507	C5A541	C4A99	MIA77	C15A223
B398	220	50	1/6	1	1425	SO <sub>2</sub>	5KC45AB313A or 5KC45AB447	C5A509	C5A541	C4A116	MIA82	C15A223
C1	115	D.C.	1/6	-	1725	F12	58C42AB190	C5A507	C5A541	C4A99	MIA74	C15A222
C16	110	60	1/6	1	1725	F12	5KC45AB395 5KC45AB403	C5A507	C5A541	C4A99	MIA72	C15A222
C63	250	D.C.	1/6	-	1725	F12	58C42AB256	C5A507	C5A541	C4A99	MIA77	C15A222
D49	440	60	1/6	3	1725	F12	5K43AC656	C5A507	C5A541	C4A99	M4B145	C15A222
E1	115	D.C.	1/6	-	1725	SO <sub>2</sub>	58C42AB190	C5A507	C5A541	C4A99	MIA74	C15A222
E2	230	D.C.	1/6	-	1725	SO <sub>2</sub>	58C42AB191	C5A507	C5A541	C4A99	MIA77	C15A222
E16	110	60	1/6	1	1725	SO <sub>2</sub>	5KC45AB395 5KC45AB403	C5A507	C5A541	C4A99	MIA72	C15A222
E58	125	D.C.	1/6	-	1725	SO <sub>2</sub>	58C42AB270	C5A507	C5A541	C4A99	MIA74	C15A222
E63	250	D.C.	1/6	-	1725	SO <sub>2</sub>	58C42AB259	C5A507	C5A541	C4A99	MIA77	C15A222
E394	115	D.C.	1/6	-	1725	SO <sub>2</sub>	58C42AB190	C5A507	C5A541	C4A99	MIA74	C15A222
E406	-	-	Less Motor	-	-	SO <sub>2</sub>	-	C5A507	C5A541	C4A99	-	C15A222
E416	230	D.C.	1/5	-	1725	SO <sub>2</sub>	58C42AB570	C5A507	C5A541	C4A99	MIA161	C15A222
H49	440	60	1/6	3	1725	F12	5K43AC656	C5A507	C5A541	C4A99	M4B145	C15A222
J1	115	D.C.	1/6	-	1725	F12	58C42AB190	C5A507	C5A541	C4A99	MIA74	C15A222
J2	230	D.C.	1/6	-	1725	F12	58C42AB191	C5A507	C5A541	C4A99	MIA77	C15A222
J3	32	D.C.	1/6	-	1725	F12	58C42AB192	C5A507	C5A541	C4A99	MIA73	C15A222
J16	110	60	1/6	-	1725	F12	5KC45AB395 5KC45AB403	C5A507	C5A541	C4A99	MIA72	C15A222
J393	-	-	Less Motor	-	-	F12	-	-	C5A541	-	-	C15A222
J417	115	D.C.	1/6	-	1725	F12	58C42AB190	C5A507	C5A541	C4A99	MIA74	C15A223
K1	115	D.C.	1/6	-	1725	F12	58C42AB190	C5A507	C5A541	C4A99	MIA74	C15A222

## Model CM-33—Machine Parts (Cont.)

### Electrical Characteristics and Driving Equipment

Model	Volts	Cycles	H.P.	Phase	R.P.M.	Gas	Motor	Motor Pulley With Fan	Com-pressor Pulley	Belt (2 Req'd)	Control	Unit Mount'g Frame
L1	115	D.C.	1/6	-	1725	F12	5BC42AB190	C5A507	C5A541	C4A99	MIA74	C15A222
L2	230	D.C.	1/6	-	1725	F12	5BC42AB191	C5A507	C5A541	C4A99	MIA77	C15A222
L3	32	D.C.	1/6	-	1725	F12	5BC42AB192	C5A507	C5A541	C4A99	MIA73	C15A222
L416	230	D.C.	1/5	-	1725	F12	5BC42AB570	C5A507	C5A541	C4A99	MIA77	C15A222
L448	115	D.C.	1/6	-	1725	F12	-	C5A507	C5A541	C4A99	MIA74	C15A222
L449	230	D.C.	1/4	-	1725	F12	-	C5A876	C5A541	C4A99	MIA161	C15A222
M1	115	D.C.	1/6	-	1725	F12	5BC42AB1108X	C5A507	C5A541	C4A99	MIA237	C15A222
M2	230	D.C.	1/6	-	1725	F12	-	C5A507	C5A541	C4A99	MIA237	C15A222
M3	32	D.C.	1/6	-	1725	F12	-	C5A507	C5A541	C4A99	MIA237	C15A222
M416	230	D.C.	1/5	-	1725	F12	5BC42AB570X	C5A507	C5A541	C4A99	MIA237	C15A222
M448	115	D.C.	1/6	-	1725	F12	5BC42AB1172X	C5A507	C5A541	C4A99	MIA237	C15A222
M453	230	D.C.	1/4	-	1725	F12	5BC44AB650X	C5A876	C5A541	C4A99	MIA237	C15A222
M457	115/230	20	1/6		1140	F12	5KC49BB839X	C5A508	C5A541	C4A90	MIA237	C15A222
N461	115	D.C.	1/4	-	1725	F12	5BC44AB1600X	C5A876	C5A541	C4A99	MIA237	C15A222
N462	230	D.C.	1/4	-	1725	F12	5BC44AB1601X	C5A876	C5A541	C4A99	MIA237	C15A222
N465	115	60	1/4		1725	F12	5KC47AB2020X	C5A876	C5A541	C4A99	MIA250	C15A222
P461	115	D.C.	1/4	-	1725	F12	5BC44AB1600X	C5A876	C5A541	C4A99	MIA257	C15A222
P462	230	D.C.	1/4	-	1725	F12	5BC44AB1601X	C5A876	C5A541	C4A99	MIA257	C15A222
P465	115	60	1/4		1725	F12	5KC47AB2020X	C5A876	C5A541	C4A99	MIA250	C15A222
P471	115	D.C.	1/4	-	1725	F12	5BC44AB1085X 5BC44AB1056X 5BC44AB1301X	C5A876	C5A541	C4A99	MIA257	C15A222

### Mechanical Parts and Frame

Cat. No.	Description	Cat. No.	Description
C13A102	Condenser Complete (Models A-C-D-H-J-K-L-M-N-P except A16)	63X864	Shipping Screw Lockwasher
C13A129	Condenser Complete (Models B-E and A16)	66X796	Shipping Crate Bolt
E6A24	Evaporator with Float Valve (Models A-B-E)	47346	Shipping Crate Bolt Nut
E6A22	Evaporator only (Models A-B-E)	66X736	Shipping Crate Bolt Wing Nut
M4B64	Float Valve and Mounting Assembly (Models A-B-E)	63X864	Shipping Crate Bolt Lockwasher
E20A40	Assembly of Float Valve Clamp, Support and Screw (Models A-B-E)	M15B15	Contactors (Models A3,B3,J3,L3,M3)
M4B55	Float Valve (Models A-B-E)	C15A220	Mounting Support (Motor Side)
E20A33	Flare Nut for Float Valve Connection (Models A-B-E)	C15A221	Mounting Support (Compressor Side)
E20A32	Float Valve Seal Cover (Models A-B-E)	C15A222	Mounting Support (Motor Side)
E6A25	Evaporator with Expansion Valve (Models C-D-H-J)	C15A221	Mounting Support (Compressor Side)
E6A49	Evaporator with Expansion Valve (Models K-M)	C15A95	Mounting Spring Assembly (Models A-B-C-E-J-K-L-M)
E6A54	Evaporator with Expansion Valve (Model L)	C20A136	Screw
E6A63	Evaporator with Expansion Valve (Model N)	C20A137	Cup Washer, Top
E6A64	Evaporator with Expansion Valve (Model P)	C20A138	Cup Washer, Bottom
E6A22	Evaporator only (Models C-D-H-J)	C20A139	Mounting Cushion, Top
E6A50	Evaporator only (Models K-M-N)	C20A140	Mounting Cushion, Bottom
E6A55	Evaporator only (Model L)	C20A211	Mounting Cushion, beneath Spring
E6A65	Evaporator only (Model P)	C20A135	Spring
M4B119	Expansion Valve (Models C-D-H-J-K-L-M-N-P)	C15A312	Mounting Support (Motor Side)
C20A81	Evaporator Support Screw	C15A311	Mounting Support (Compressor Side)
I3919	Evaporator Support Screw Nut	B20A46	Rubber Mounting (Models D and H)
C20H19	Thermostat Clamp (Models A-B-C-D-E-H-J-K-L-M)	C20A894	Rubber Mounting (Models N and P)
C20H20	Thermostat Clamp Screw (Models A-B-C-D-E-H-J-K-L-M-N)	C20A422	Rubber Mounting Cup Washer (Models D-H-N-P)
C20A752	Thermostat Tube Clamp (Model P)	C20A205	Motor Connecting Cord (Models A-B-C-E-J-K-L-M)
M15A54	Bellows Tube Clamp (Model N)	C20A896	Motor Connecting Cord (Models N and P)
NP64073	Escutcheon Plate (Models A-B-C-E-J-K-L)	58X15	Locking Connector for Control
NP66485	Escutcheon Plate (Models D and H)	66X133	Motor Pulley Set Screw
C20H122	Escutcheon Plate (Model M)	C17A181	Tube and Conductor Assembly (Model A3)
M15A82	Escutcheon Plate (Models N and P)	C17A180	Tube and Conductor Assembly (Model "A" except A3 and A16)
C20A97	Escutcheon Plate Screw and Nut	C17A195	Tube and Conductor Assembly (Model A16 and all Model "B" except B3)
C13A103	Liquid Receiver Assembly (Model A except A16)	C17A196	Tube and Conductor Assembly (Model B3)
C13A126	Liquid Receiver Assembly (Models B-E-A16)	C17A273	Tube and Conductor Assembly (Model C)
C13A109	Liquid Receiver Assembly (Models C-D-H-J-K-L-M-N-P)	C17A274	Tube and Conductor Assembly (Model D)
C1A50	Liquid Receiver Valve (Model A except A16)	C17A275	Tube and Conductor Assembly (Model E)
C1A57	Liquid Receiver Valve (Models B-E and A16)	C17A301	Tube and Conductor Assembly (Model H)
C1A46	Liquid Receiver Valve (Models C-D-H-J-K-L-M-N-P)	C17A302	Tube and Conductor Assembly (Models J-K-L)
C17A1	Liquid Receiver Valve Cap	C17A333	Tube and Conductor Assembly (Models M and N)
C20A14	Liquid Receiver Valve Cap Gasket	C17A351	Tube and Conductor Assembly (Model P)
I68039	Compressor Pulley Key	2240589G102	Motor Control (D49 and H49)
281387	Compressor Pulley Nut	81D2	Heater (D49 and H49)
65X455	Compressor Pulley Nut Lockwasher		
C20A196	Shipping Screw		



## Model CM-33—Machine Parts (Cont.)

FOLLOWING PARTS ON MODELS N AND P ONLY

Cat. No.	Description	Cat. No.	Description
M15A81	Control Mounting Plate	C20H154	Evaporator Door Handle Screw
I34968	Screw Fastening Control to Plate	C20H155	Washer for Door Handle Screw
C20H149	Gasket for Control Mounting Plate	C20H138	Rubber Bumper for Evaporator Door
C20H150	Screw Fastening Escutcheon and Control Plate to Top Plate	C20H156	Evaporator Door Hinge (RH Cabinet)
C20H115	Speed Nut for C20H150 Screw	C20H161	Evaporator Door Hinge (LH Cabinet)
C20H151	Washer between Escutcheon and Top Plate	C20H157	Spring for Hinge
C20H152	Evaporator Door	58X395	Door Hinge Screw (Hinge to Door)
C20H153	Evaporator Door Handle	C20H158	Door Hinge Screw (Hinge to Evaporator)
		C20H115	Speed Nut for 58X395 Screw

FOLLOWING PARTS ON MODEL P ONLY

Cat. No.	Description	Cat. No.	Description
C20H185	Evaporator Door Complete	H20A59	Spacer between Evaporator and Inner Liner Cover
M15A79	Control Tube Clamp	C20H160	Washer for Evaporator Hinge Screw
C20H147	Control Tube Clamp Screw	H20A610	Cover (Top Plate) for Inner Liner
C20H148	Bushing for C20H147 Screw	H20A337	Evaporator Bracket Screw
C20H159	Gasket between Evaporator and Hinge		

COMPRESSOR AND COMPRESSOR PARTS

Cat. No.	Description	Cat. No.	Description
C21A51	Compressor (Model A, B)	C21A91	Compressor (Model L, M)
C21A91	Compressor (Model C, D, H, J, K)	C21A141	
C21A76	Compressor (Model E)	C21A169	

NOTE: For parts of compressors refer to the last pages in this section.

## Model CM-34—Machine Parts

Electrical Characteristics and Driving Equipment

Model	Volts	Cycles	H.P.	Phase	R.P.M.	Gas	Motor	Motor Pulley with Fan	Compressor Pulley	Belt Req'd (2)	Control
A1	115	D.C.	1/3	-	1725	SO <sub>2</sub>	5BC46AB7	C5A601	C5A541	C4A90	MIA92
A2	230	D.C.	1/3	-	1725	SO <sub>2</sub>	5BC46AB14	C5A601	C5A541	C4A90	MIA93
A3	32	D.C.	1/3	-	1725	SO <sub>2</sub>	5BC46AB15	C5A601	C5A541	C4A90	MIA91
A12	110	25	1/3	1	1425	SO <sub>2</sub>	5KC48BB9 or 5KC48BB7	C5A600	C5A541	C4A90	MIA115
A13	120	30	1/3	1	1725	SO <sub>2</sub>	5KC48BB8	C5A601	C5A541	C4A90	MIA87
A15	110	50	1/3	1	1425	SO <sub>2</sub>	5KC49AB33	C5A600	C5A541	C4A90	MIA115
A16	110	60	1/3	1	1725	SO <sub>2</sub>	5KC47AB481 or 5KC47AB465 or 5KC47AB473	C5A601	C5A541	C4A90	MIA87
A22	220	25	1/3	1	1425	SO <sub>2</sub>	5KC48BB9 or 5KC48BB7	C5A600	C5A541	C4A90	MIA90
A25	220	50	1/3	1	1425	SO <sub>2</sub>	5KC49AB33	C5A600	C5A541	C4A90	MIA90
A26	220	60	1/3	1	1725	SO <sub>2</sub>	5KC47AB481 or 5KC47AB470	C5A601	C5A541	C4A90	MIA90
A51	125	60	1/3	1	1725	SO <sub>2</sub>	5KC47A8669	C5A601	C5A541	C4A90	MIA75
A52	125	50	1/3	1	1425	SO <sub>2</sub>	5KC49AB40	C5A600	C5A541	C4A90	MIA87
A302	-	-	-	-	-	SO <sub>2</sub>	-	C5A601	C5A541	C4A90	MIA93
A316	110	60	-	-	-	SO <sub>2</sub>	-	C5A601	C5A541	C4A90	MIA87
A385	-	50	-	-	-	SO <sub>2</sub>	-	C5A600	C5A541	C4A90	-
A392	-	D.C.	-	-	-	SO <sub>2</sub>	-	C5A601	C5A541	C4A90	-
C1	115	D.C.	1/3	-	1725	F12	5BC46AB7	C5A876	C5A541	C4A99	MIA92
C16	110	60	1/3	1	1725	F12	5KC47AB481 5KC47AB465 5KC47AB473	C5A876	C5A541	C4A99	MIA87
D1	115	D.C.	1/3	-	1725	F12	5BC46AB7	C5A876	C5A541	C4A99	MIA92
D49	440	60	1/3	3	1725	F12	5K45AC414	C5A876	C5A541	C4A99	M4B145
F1	115	D.C.	1/3	-	1725	F12	5BC46AB7	C5A876	C5A541	C4A99	M4B151
F49	440	60	1/3	3	1725	F12	5K45AC414	C5A876	C5A541	C4A99	M4B145
H49	440	60	-	3	-	F12	5K45AC414	C5A876	C5A541	C4A99	M4B145
J1	115	D.C.	1/3	-	1725	F12	5BC46AB7	C5A876	C5A541	C4A99	MIA174
J2	230	D.C.	1/3	-	1725	F12	5BC46AB14	C5A876	C5A541	C4A99	MIA93
J12	110	25	1/3	1	1425	F12	5KC48BB7 5KC48BB9	C5B53	C5A541	C4A116	MIA115
J406	-	60/D.C.	-	-	-	F12	-	C5A876	C5A541	C4A99	-
K1	115	D.C.	1/3	-	1725	F12	5BC46AB7	C5A876	C5A541	C4A99	MIA174
K2	230	D.C.	1/3	-	1725	F12	5BC46AB14	C5A876	C5A541	C4A99	MIA93
K12	110	25	1/3	1	1425	F12	5KC48BB7 5KC48BB9	C5B53	C5A541	C4A116	MIA115
L1	115	D.C.	1/3	-	1725	F12	5BC46AB487AX	C5A876	C5A541	C4A99	MIA242
L2	230	D.C.	1/3	-	1725	F12	5BC46AB488AX	C5A876	C5A541	C4A99	MIA242

Always Give Catalog Number

**Model CM-34—Machine Parts (Cont.)**

## Mechanical Parts and Frame

<i>Cat. No.</i>	<i>Description</i>	<i>Cat. No.</i>	<i>Description</i>
C13A114	Condenser (Except Model F)	C15A220	Mounting Support (Motor Side)(Models A,C, J,K and L
C13A250	Condenser (Model F)	C15A312	Mounting Support (Motor Side) (Models, D,F,H)
E6A9	Cooling Unit (Model A except Model A3)	C15A221	Mounting Support (Compressor Side)(Models A, C,J, K and L)
E6A15	Cooling Unit (Model A3)	C15A311	Mounting Support (Compressor Side)(Models D, F and H)
E6A26	Cooling Unit (Models C, D and H)	C15A222	Mounting Frame (Models A,C,J, K and L)
E6A33	Cooling Unit (Model F)	C15A310	Mounting Frame (Models D and H)
E6A48	Cooling Unit (Model J)	C15A345	Mounting Frame (Model F)
E6A51	Cooling Unit (Model K)	C15A95	Mounting Spring Assembly (Models A,C,J, K,L)
E6A62	Cooling Unit (Model L)	C20A137	Cup Washer for Spring Mounting(Top) (Models A,C,J, K and L)
E6A13	Evaporator Only (Except Models F, J, K and L)	C20A138	Cup Washer for Spring Mounting (Bottom) (Models A,C,J, K,L)
A20H2	Bellows Tube Clamp (Models A-C-D-H)	C20A140	Rubber Bushing for Spring Mounting(Bottom) (Models A,C,J, K, L)
C20H19	Bellows Tube Clamp (Models K and L)	C20A139	Rubber Bushing for Spring Mounting (Top) (Models A,C,J, K and L)
C20H2	Bellows Tube Clamp Screw (Models A-C-D-H)	C20A211	Rubber Bushing for Spring Mounting (Beneath Spring)(Models A,C,J,K,L)
C20H20	Thermostat Clamp Screw (Models K and L)	C20A135	Spring for Spring Mounting (Models A,C,J,K and L)
C20H3	Bellows Tube Clamp Screw Nut(Models A-C-D-H)	C20A136	Screw for Spring Mounting (Models A,C,J, K and L)
M4B75	Float Valve and Mounting Assembly (all Model "A" Except A3)	B20A46	Rubber Mounting (Models D, F and H)
M4B100	Float Valve and Mounting Assembly(Model A3 Only)	C20A422	Rubber Mounting Cup Washer (Models D,F and H)
E20A37	Float Valve Clamp Assembly (Model A)	M4B119	Expansion Valve (Models C,D and H)
M4B74	Float Valve Assembly (all Model "A" except A3)	E2A15	Expansion Valve (Model F, K and L)
M4B101	Float Valve Assembly (Model A3 only)	M4B16	Expansion Valve (Model J)
E20A33	Flare Nut for Float Valve Outlet Connection (Model A)	C20A81	Control Bracket and Expansion Valve Support Screw (Models C, D, F and H)
E20A38	Float Valve Seal Cover (Model A)	C17A187	Tube and Conductor Assembly (all Model "A" Except A3)
C13A103	Liquid Receiver Assembly (Models A and C)	C17A236	Tube Assembly for Model A3
C13A109	Liquid Receiver Assembly (Models D,H,J, K and L)	M15B15	Contact for Model A3
C13A249	Liquid Receiver Assembly (Model F)	C20A280	Four Wire Conductor from Motor to Connection Block (Model A3 Only)
C1A50	Liquid Receiver Valve (Models A and C)	C17A276	Tube and Conductor Assembly (Model C)
C1A46	Liquid Receiver Valve (Models D,H,J, K and L)	C17A277	Tube and Conductor Assembly (Models D & H)
C1A81	Liquid Receiver Valve (Model F)	C17A300	Tube and Conductor Assembly (Model F)
C17A1	Liquid Receiver Valve Cap	C17A317	Tube and Conductor Assembly (Model J)
C20A14	Liquid Receiver Valve Cap Gasket	C17A325	Tube and Conductor Assembly (Model K, L)
I68039	Compressor Pulley Key	22405896102	Motor Control (D49, F49 and H49)
281387	Compressor Pulley Nut	81D8	Heater (D49, F49 and H49)
65X455	Compressor Pulley Nut Lockwasher		
C20A199	Shipping Screw		
63X864	Shipping Screw Lockwasher		
66X796	Shipping Crate Bolt		
47346	Shipping Crate Bolt Nut		
66X736	Shipping Crate Bolt Wing Nut		
63X864	Shipping Crate Bolt Lockwasher		
C20A223	Washer for Compressor Hold-down Screw		
C20A205	Motor Connecting Cord		

## Following Parts on Model L Only

<i>Cat. No.</i>	<i>Description</i>	<i>Cat. No.</i>	<i>Description</i>
C20H90	Escutcheon Plate for Control	M15A7	Cover with Screw for Control Terminal
C20H92	Escutcheon Plate (Blank Plate across Top Evaporator)	A20H14	Terminal Screw
C20H99	Screw and Nut Fastening Lamp Housing to Evaporator	C20H86	Screw to attach Control to Lamp Housing
M1A242	Control (115/230 V., D.C.)	M15A61	Outer Temperature Knob
		A3H15	Cord and Socket for Control Light
		-	Lamp (C-7, 7 watt, clear, 110/125V)

Compressor and Compressor Parts

<i>Cat. No.</i>	<i>Description</i>
C21A51	Compressor (Model A)
C21A89	Compressor (Model C,D,F,H,J,K and L)

Note: For parts of Compressors refer to the last pages in this section.

Always Give Catalog Number

## Model CM-35—Machine Parts

### Electrical Characteristics and Driving Equipment

MODEL	VOLTS	R.P.M.	CYCLES	H.P.	PHASE	GAS	MOTOR	CONTROL	MOTOR PULLEY WITH FAN	COM-PRESSOR PULLEY	BELT (2 REQ'D)
A1	115	1725	D.C.	1/4	-	SO <sub>2</sub>	5BC44AB89 or 5BC44AB89A	MIA54	C5A406	C5A541	C4A60
A2	230	1725	D.C.	1/4	-	SO <sub>2</sub>	5BC44AB147 or 5BC44AB147A	MIA66	C5A406	C5A541	C4A60
A3	32	1725	D.C.	1/4	-	SO <sub>2</sub>	5BC44AB170 or 5BC44AB170A	MIA54	C5A406	C5A541	C4A64
A15	110	1425	50	1/4	I	SO <sub>2</sub>	5KC47AB243 or 5KC47AB276 or 5KC47AB276A	MIA15	C5A532	C5A541	C4A64
A16	110	1725	60	1/4	I	SO <sub>2</sub>	5KC47AB233 or 5KC47AB275 or 5KC47AB275A	MIA39	C5A406	C5A541	C4A60
A25	220	1425	50	1/4	I	SO <sub>2</sub>	5KC47AB253 or 5KC47AB279 or 5KC47AB279A	MIA35	C5A532	C5A541	C4A64
A26	220	1725	60	1/4	I	SO <sub>2</sub>	5KC47AB302A or 5KC47AB302	MIA67	C5A406	C5A541	C4A60
A51	125	1425	50	1/4	I	SO <sub>2</sub>	5KC47AB269 or 5KC47AB277 or 5KC47AB277A	MIA39	C5A532	C5A541	C4A64
A52	125	1725	60	1/4	I	SO <sub>2</sub>	5KC47AB273 or 5KC47AB278 or 5KC47AB278A	MIA13	C5A406	C5A541	C4A60
A53	115	1725	D.C.	1/4	-	SO <sub>2</sub>	5BC44AB1	MIA60	C5A533	C5A541	C4A60
B1	115	1725	D.C.	1/4	-	SO <sub>2</sub>	5BC44AB89 or 5BC44AB89A	MIA54	C5A406	C5A541	C4A60
B2	230	1725	D.C.	1/4	-	SO <sub>2</sub>	5BC44AB147 or 5BC44AB147A	MIA66	C5A406	C5A541	C4A60
B12	110	1425	25	1/4	I	SO <sub>2</sub>	5KC49BB202 or 5KC49BB202A	MIA39	C5A532	C5A541	C4A64
B14	110	1140	40	1/4	I	SO <sub>2</sub>	5KC49AB10	MIA39	C5A602	C5A541	C4A64
B15	110	1425	50	1/4	I	SO <sub>2</sub>	5KC47AB243 or 5KC47AB276 or 5KC47AB276A	MIA15	C5A532	C5A541	C4A64
B16	110	1725	60	1/4	I	SO <sub>2</sub>	5KC47AB233 or 5KC47AB275 or 5KC47AB275A	MIA39	C5A406	C5A541	C4A60
B25	220	1425	50	1/4	I	SO <sub>2</sub>	5KC47AB253 or 5KC47AB279 or 5KC47AB279A	MIA35	C5A532	C5A541	C4A64
B26	220	1725	60	1/4	I	SO <sub>2</sub>	5KC47AB302 or 5KC47AB302A	MIA67	C5A406	C5A541	C4A60
B51	125	1425	50	1/4	I	SO <sub>2</sub>	5KC47AB269 or 5KC47AB277 or 5KC47AB277A	MIA39	C5A532	C5A541	C4A64
B52	125	1725	60	1/4	I	SO <sub>2</sub>	5KC47AB273 or 5KC47AB278	MIA13	C5A406	C5A541	C4A60
B53	115	1725	D.C.	1/4	-	SO <sub>2</sub>	5BC44AB1	MIA60	C5A533	C5A541	C4A60
B301	110	-	50	-	-	SO <sub>2</sub>	-	-	C5A532	C5A541	C4A64
B379	110	1425	50	1/4	I	SO <sub>2</sub>	5KC47AB243 or 5KC47AB276 or 5KC47AB276A	MIA15	C5A532	C5A541	C4A64
B392	-	-	-	1/4	-	SO <sub>2</sub>	-	-	C5A406	C5A541	C4A60
B403	110	-	50	1/4	I	SO <sub>2</sub>	5KC47AB243 or 5KC47AB276 or 5KC47AB276A	MIA15	C5A532	C5A541	C4A64

Always Give Catalog Number

## Model CM-35—Machine Parts (*Continued*)

### Miscellaneous Parts

<u>CAT. NO.</u>	<u>NAME OF PART</u>	<u>CAT. NO.</u>	<u>NAME OF PART</u>
C13A236	Condenser	C20A178	Housing for Condensing Unit (Sides) for Model A Units and B301-B379
E6A10	Evaporator	C20A222	Housing for Condensing Unit (Sides) for Model B Units except B301-B379
C15A211	Frame Assembly	C20A179	Housing for Condensing Unit (Top)
C13A82	Liquid Receiver Assembly	C20A54	Bellows Tube Clamp
C1A46	Liquid Receiver Valve Assembly	C20A57	Screws for Bellows Tube Clamp
C17A1	Liquid Receiver Valve Cap	281387	Compressor Pulley Nut
C20A14	Liquid Receiver Valve Cap Gasket	65X455	Compressor Pulley Nut Lockwasher
C20A161	Liquid Receiver Support	168039	Compressor Pulley Key
M4B224	Float Valve	C20A223	Washer for Motor Hold-down Screw
C20A176	Frame Mounting Support	438969866	Contact for Model A3
C20A138	Cup Washer for Rubber Mounting (Bottom)	81D29	Heater for Model A3
C20A137	Cup Washer for Rubber Mounting (Top)	NP60532	Escutcheon Plate for Control
C20A136	Screw for Rubber Mounting	C20A97	Screw and Nut for Escutcheon Plate
C20A140	Cushion for Rubber Mounting (Bottom)		
C20A177	Cushion for Rubber Mounting (Top)		

### Compressor and Compressor Parts

Determine Catalog Number of Compressor from Nameplate on Compressor or stamping on Compressor Block. From this Catalog Number of the Compressor, refer to last pages of this section to determine Catalog Numbers of various Compressor Renewal Parts.

Always Give Catalog Number

# HOUSEHOLD REFRIGERATING MACHINE PARTS

## Model CM-311

### Electrical Characteristics and Driving Equipment

Model	Volts	Cycles	H.P.	Phase	R.P.M.	Gas	Motor	Control	Motor Pulley with Fan	Compressor Pulley	Belt (2 Req'd)	Motor Capacitor	Motor Brush (2 Req'd)
A1	115	D.C.	1/6	.....	1725	SO <sub>2</sub>	5BC42AB190	M1A74	C5A700	C5A541	C4A123	.....	4218692
A2	230	D.C.	1/6	.....	1725	SO <sub>2</sub>	5BC42AB191	M1A77	C5A700	C5A541	C4A123	.....	4218692
A12	110	25	1/6	.....	1425	SO <sub>2</sub>	5KC49BB414	M1A76	C5A701	C5A541	C4A99	9CG106S1	.....
A16	110	60	1/6	1	1725	SO <sub>2</sub>	5KC45AB319A	M1A72	C5A700	C5A541	C4A123	9CG101S14	.....

### Mechanical Parts and Frame

Name of Part	Cat. No.	Name of Part	Cat. No.
Condenser Complete.....	C13A167	Cooling Unit Complete.....	E6A21
Compressor Pulley Key.....	168039	Evaporator Complete.....	E6A17
Compressor Pulley Nut.....	281387	Evaporator Supporting Screw.....	C20A81
Compressor Pulley Nut Lockwasher.....	65X455	Evaporator Supporting Screw Nut.....	13919
Condensing Unit Support (Motor Side).....	C15A221	Bellows Tube Clamp.....	C20H19
Condensing Unit Support (Compressor Side).....	C15A220	Bellows Tube Clamp Screw.....	C20H20
Liquid Receiver.....	C13A166	Float Valve and Mounting Assembly.....	M4B56
Liquid Receiver Valve.....	C1A57	Float Valve Assembly with Suction Line, Fittings and Nuts.....	M4B55
Condensing Unit Mounting Frame.....	C15A267	Assembly of Float Valve Clamp, Support, and Screw.....	E20A39
Spring Support Assembly.....	C15A95	Float Valve Seal Cover.....	E20A32
Spring Support Screw.....	C20A136	Flare Nut for Float Valve Outlet Connection.....	E20A33
Spring Support Cup Washer (Top).....	C20A137	Shipping Screw.....	C20A199
Spring Support Cup Washer (Bottom).....	C20A138	Shipping Screw and Shipping Crate Bolt Lockwasher.....	63X864
Spring Support Mounting Cushion (Top).....	C20A139	Shipping Crate Bolt.....	66X796
Spring Support Mounting Cushion (Bottom).....	C20A140	Shipping Crate Bolt Nut.....	47346
Spring Support Spring.....	C20A135	Shipping Crate Bolt Wing Nut.....	66X736
Washer for Motor Hold-down Screw.....	C20A223	Escutcheon Plate for Control.....	NP64072
Tube and Conductor Assembly.....	C17A238	Screw and Nut for Escutcheon Plate.....	C20A97
Motor Connecting Cord.....	C20A205		

### COMPRESSOR AND COMPRESSOR PARTS

Determine Catalog Number of Compressor from Nameplate on Compressor or stamping on Compressor Block. From this Catalog Number of the Compressor, refer to last pages of this section to determine Catalog Numbers of various Compressor Renewal Parts.

Always Give Catalog Number

## Model CM-312 - Machine Parts

### Electrical Characteristics and Driving Equipment

MODEL	VOLTS	CYCLES	H.P.	PHASE	R.P.M.	GAS	MOTOR	MOTOR PULLEY WITH FAN	COM-PRESSOR PULLEY	BELT (2 REQ'D)	CONTROL
A1	115	D.C.	1/6	-	1725	SO <sub>2</sub>	5BC42AB190	C5A507	C5A541	C4A99	M1A74
J1	115	D.C.	1/6	-	1725	F12	5BC42AB190	C5A507	C5A541	C4A99	M1A74
J16	110	60	1/6	1	1725	F12	5KC45AB395 5KC45AB403	C5A507	C5A541	C4A99	M1A72
K1	115	D.C.	1/6	-	1725	F12	5BC42AB190	C5A507	C5A541	C4A99	M1A74

### Mechanical Parts and Frame

<i>Cat. No.</i>	<i>Description</i>	<i>Cat. No.</i>	<i>Description</i>
C13A129	Condenser Complete (Model A)	C20H31	Escutcheon Plate Screw (Left) (Models A, J)
C13A102	Condenser Complete (Models J, K)	C13A128	Liquid Receiver Assembly (Model A)
E6A29	Evaporator with Float Valve (Model A)	C13A109	Liquid Receiver Assembly (Models J, K)
E6A30	Evaporator only (Model A)	C1A57	Liquid Receiver Valve (Model A)
M4B176	Float Valve and Tube Assembly	C1A46	Liquid Receiver Valve (Models J, K)
C20A81	Float Valve Supporting Screw	168039	Compressor Pulley Key
I3919	Float Valve Supporting Screw Nut	281387	Compressor Pulley Nut
C20A471	Float Valve Supporting Screw Washer (Fiber)	65X455	Compressor Pulley Nut Lockwasher
C20A83	Float Valve Supporting Screw Washer (Steel)	C15A222	Mounting Frame for Unit
E6A56	Evaporator with Expansion Valve (Model J)	C15A221	Mounting Support (Compressor Side)
E6A57	Evaporator with Expansion Valve (Model K)	C15A220	Mounting Support (Motor Side)
E6A58	Evaporator only (Model J)	C15A95	Mounting Spring Assembly
E6A59	Evaporator only (Model K)	C20A136	Screw
M4B119	Expansion Valve (Model J, K)	C20A137	Cup Washer (Top)
C20H19	Thermostat Clamp	C20A138	Cup Washer (Bottom)
C20H20	Thermostat Clamp Screw	C20A139	Mounting Cushion (Top)
NP67687	Escutcheon Plate (Models A, J)	C20A140	Mounting Cushion (Bottom)
NP67685A	Escutcheon Plate (Model K)	C20A211	Mounting Cushion (Beneath Spring)
C20H30	Control Bracket (Model A, J)	C20A135	Spring
C20H33	Control Bracket Screw (Model A, J)	C20A205	Motor Connecting Cord (Model A)
C20A472	Control Bracket Screw Washer (Models A, J)	C17A296	Tube and Conductor Assembly (Model A)
C20H33	Escutcheon Plate Screw (Right) (Model A)	C17A331	Tube and Conductor Assembly (Model J)
C20H32	Escutcheon Plate Screw (Right) (Model J)	C17A332	Tube and Conductor Assembly (Model K)

### Compressor and Compressor Parts

<i>Cat. No.</i>	<i>Description</i>
C21A76	Compressor (Model A)
C21A91	Compressor (Model J, K)

Note: For Parts of Compressors Refer to the Last Pages in This Section.

Always Give Catalog Number

## Compressors

<u>CAT. NO.</u>	<u>Description</u>
C21A65 or C21A77	Compressor Complete for CB-1F and L; CB-2D, F and L; CB-3D, F and L; CM-1P; CM-2L and M; CD-11C
C21A51	Compressor Complete for CD-1C and D; CD-2C; CD-3C; CM32A and B; CM-33A and B; CM-34A; CM-35B
C21A91	Compressor Complete for CM-32C, D, F, H, and J; CM-33C, D, H, J, and K; CM-312J and K
C21A89	Compressor Complete for CM-34C, D, F, H, J, and K
C21A49	Compressor Complete for CM-35A
C21A74	Compressor Complete for CM-311A
C21A76	Compressor Complete for CM-312A; CM-32E; CM-33E
C21A91 C21A141 C21A169	Compressor Complete for CM-32K, L ; CM33L, M

Always Give Catalog Number

## RENEWAL PARTS FOR CATALOG NO. C21A49 COMPRESSOR

CAT. NO.	NAME OF PART	CAT. NO.	NAME OF PART
C8A22	Cylinder Head	C11A22	Shaft Seal Gasket
C11A55	Cylinder Head Gasket	C20A158	Shaft Thrust Adjustment Screw and Nut
O20A154	Cylinder Head Cap Screw	C12A1	Shaft Thrust Ball
C10A107	Valve Plate Complete with Valves	C1A40	Service Valves
C10A111	Valve Plate	C17A1	Service Valve Cap
C10A73	Discharge Valve	C20A14	Service Valve Cap Gasket
C10A74	Discharge Valve Retainer	A19X46	Service Valve Pipe Plug
C10A76	Discharge Valve Clamp	C20A155	Sealing Nut (Shaft Thrust Plug)
C10A77	Discharge Valve Spacer	C11A61	Gasket for Sealing Nut (Shaft Thrust Plug Gasket)
C20A10	Discharge Valve Clamp Screw	C9A68	Crankshaft
C10A75	Discharge Valve Spring	C9A71	Piston Complete with Piston Pin (Std.)
C10A112	Intake Valve	C9A72	Piston Complete with Piston Pin (0.010" Oversize)
C20A11	Intake Valve Screw	C9A95	Piston Complete with Piston Pin (0.003" Oversize)
C10A113	Intake Valve Retainer	C9A96	Piston Complete with Piston Pin (0.005" Oversize)
C10A114	Intake Valve Spring	C9A97	Piston Pin (0.4373" Dia.)
C11A51	Gasket for Valve Plate (1/64")	C9A98	Piston Pin (0.4374" Dia.)
C11A53	Gasket for Valve Plate (1/32")	C9A99	Piston Pin (0.4375" Dia.)
C17A106	Oil Filler Plug	58X295	Piston Pin Safety Set Screw
C11A37	Oil Filler Plug Gasket	C9A70	Connecting Rod with .4378" Dia. Piston Pin Bushing
C16A61	Crankcase Cover (Compressor Base)	C9A108	Connecting Rod with .4379" Dia. Piston Pin Bushing
C11A60	Crankcase Cover Gasket	C9A109	Connecting Rod with .4380" Dia. Piston Pin Bushing
C20A159	Crankcase Cover Cap Screws	C9A69	Eccentric Assembly
C16A153	*Removable Shaft Seal Assembly	C20A156	Eccentric Set Screw and Nut (Short)
C16A36	Shaft Seal Clamping Plate	C20A157	Eccentric Set Screw and Nut (Long)
C20A95	Shaft Seal Clamping Plate Cap Screw	246750	Eccentric Key

\*Refer to Installation and Service Material Section of Catalog for Parts of the Assembly.

## RENEWAL PARTS FOR CATALOG NO. C21A51 COMPRESSOR

CAT. NO.	NAME OF PART	CAT. NO.	NAME OF PART
C8A92	Cylinder Head	C20A11	Intake Valve Retainer Screw
C20A6	Cylinder Head Cap Screw	C11A160	Gasket for Valve Plate (0.011")
C11A165	Cylinder Head Gasket	C11A161	Gasket for Valve Plate (0.015")
C10A122	†Valve Plate Assembly with Valves	C11A162	Gasket for Valve Plate (0.020")
C10A123	†Valve Plate	C16A134	**Removable Shaft Seal Assembly
C10A229	Discharge Valve	C11A22	Shaft Seal Gasket
C10A124	Discharge Valve Primary Spring	C16A36	Shaft Seal Clamping Plate
C10A126	Discharge Valve Retainer	C20A55	Shaft Seal Clamping Plate Cap Screw
C10A127	Discharge Valve Spring	C16A61	Crankcase Cover (Compressor Base)
C10A76	Discharge Valve Clamp	C11A60	Crankcase Cover Gasket
C20A10	Discharge Valve Clamp Screw	C20A159	Crankcase Cover Cap Screw
C10A77	Discharge Valve Spacer	C20A197	Sealing Nut (Shaft Thrust Plug)
C10A128	Intake Valve	C11A61	Sealing Nut Gasket
C10A129	†Intake Valve Retainer	C20A198	Thrust Disc
C10A130	Intake Valve Spring	C12A1	Shaft Thrust Ball
C10A131	†Intake Valve Spacer		

\*\*Refer to Installation and Service Material Section of Catalog for Parts of the Assembly.

†When present stock of C10A122 Valve Plate Assemblies is exhausted, Cat. No. C10A227 Valve Plate Assembly will be substituted. These Assemblies are identical except for parts marked (†). For Cat. No. C10A227 Assembly order C10A228 Valve Plate; C10A230 Intake Valve Spacer; C10A231 Intake Valve Retainer.

IMPORTANT: Before ordering any of the parts marked (†) be sure to determine identity of Valve Plate Assembly. The C10A227 Assembly is distinguished by an annular groove in the Valve Plate around the Discharge and Intake Valve seats which does not appear on the C10A122 Assembly.

Always Give Catalog Number



## RENEWAL PARTS FOR CATALOG NO. C21A51 COMPRESSOR (CONTINUED)

CAT. NO.	NAME OF PART	CAT. NO.	NAME OF PART
C16A73	Crankcase Complete with Plugs, Gasket, Strainer, and Screen	C9A100	Connecting Rod with .4379" Dia. Piston Pin Bushing
A1SA5	Crankcase Pipe Plug	CSA101	Connecting Rod with .4380" Dia. Piston Pin Bushing
C17A106	Oil Filler Plug	C9A89	Crankshaft
C11A37	Oil Filler Plug Gasket	C20A212	Thrust Washer
C14A15	Suction Port Strainer	C9A90	Eccentric Assembly
C20A271	Screen Assembly	C20A214	Eccentric Clamp with Nuts and Lockwashers
C9A71	Piston Complete with Piston Pin (Std.)	C20A213	Nuts for Clamp
C9A95	Piston Complete with Piston Pin (.003" Oversize)	246750	Eccentric Key
C9A96	Piston Complete with Piston Pin (.005" Oversize)	C1A51	Service Valve (except for CM-35 Unit)
C9A72	Piston Complete with Piston Pin (.010" Oversize)	C1A53	Service Valve (CM-35 Unit)
C9A97	Piston Pin (.4373" Dia.)	C17A1	Service Valve Cap
C9A98	Piston Pin (.4374" Dia.)	C20A14	Service Valve Cap Gasket
C9A99	Piston Pin (.4375" Dia.)	A19X46	Service Valve Pipe Plug
58X295	Piston Pin Safety Set Screw	C11A116	*Service Valve Gasket
C9A93	Connecting Rod with .4378" Dia. Piston Pin Bushing	C11A18	*Service Valve Gasket
		C20A207	Service Valve Cap Screw

\*Gaskets are not interchangeable. Replace defective gasket with one of same design. Cat. C11A116 is a composition gasket while Cat. C11A18 is a copper and lead gasket.

## RENEWAL PARTS FOR CATALOG NO. C21A65 AND C21A74 COMPRESSORS

CAT. NO.	NAME OF PART	CAT. NO.	NAME OF PART
C8A92	Cylinder Head	C20A212	Shaft Thrust Washer
C11A165	Cylinder Head Gasket	C20A197	Shaft Thrust Plug (Sealing Nut)
C20A6	Cylinder Head Cap Screw	C11A61	Shaft Thrust Plug Gasket
C10A122	†Valve Plate Complete with Valves	C20A198	Thrust Plug Disc
C10A123	†Valve Plate	C12A1	Shaft Thrust Ball
C10A229	Discharge Valve	C1A62	Service Suction Valve
C10A124	Discharge Valve Primary Spring	C17A1	Service Suction Valve Cap
C10A126	Discharge Valve Retainer	C20A14	Service Suction Valve Cap Gasket
C10A127	Discharge Valve Spring	C11A116	*Service Discharge Valve Gasket
C10A77	Discharge Valve Spacer	C11A18	*Service Discharge Valve Gasket
C10A76	Discharge Valve Clamp	C20A27	Service Suction Valve Cap Screw
C20A10	Discharge Valve Clamp Screw	C1A51	Service Discharge Valve
C10A128	Intake Valve	C17A1	Service Discharge Valve Cap
C10A130	Intake Valve Spring	C20A14	Service Discharge Valve Cap Gasket
C10A131	†Intake Valve Spacer	C11A116	*Service Discharge Valve Gasket
C10A129	†Intake Valve Retainer	C11A18	*Service Discharge Valve Gasket
C20A11	Intake Valve Retainer Screw	C20A207	Service Discharge Valve Cap Screw
C11A160	Valve Plate Gasket (0.011")	A19X218	Service Valve Flare Nuts
C11A161	Valve Plate Gasket (0.015")	A19X70	Service Valve Bonnets
C11A162	Valve Plate Gasket (0.020")	C9A71	Piston Complete with Piston Pin (Std.)
C16A87	Crankcase Complete with Plug, Gasket, Strainer and Screen	C9A95	Piston Complete with Piston Pin (0.003" Oversize)
C17A106	Crankcase Oil Plug	C9A96	Piston Complete with Piston Pin (0.005" Oversize)
C11A37	Crankcase Oil Plug Gasket	C9A72	Piston Complete with Piston Pin (0.010" Oversize)
C20A271	Screen Assembly	C9A97	Piston Pin (0.4373" Dia.)
C14A15	Suction Port Strainer	C9A98	Piston Pin (0.4374" Dia.)
C16A61	Compressor Base (Crankcase Cover)	C9A99	Piston Pin (0.4375" Dia.)
C11A60	Compressor Base Gasket	58X295	Piston Pin Safety Set Screw
C20A159	Compressor Base Cap Screw	C9A114	Connecting Rod with .4378" Dia. Piston Pin Bearing (Shaft Ext. Side)
C16A134	**Removable Shaft Seal Assembly	C9A115	Connecting Rod with .4379" Dia. Piston Pin Bearing (Shaft Ext. Side)
C16A36	Shaft Seal Clamping Plate	C9A116	Connecting Rod with .4380" Dia. Piston Pin Bearing (Shaft Ext. Side)
C11A22	Shaft Seal Gasket	C9A117	Connecting Rod with .4378" Dia. Piston Pin Bearing (Thrust Side)
C20A95	Shaft Seal Cap Screws	C9A118	Connecting Rod with .4379" Dia. Piston Pin Bearing (Thrust Side)
C9A89	Crankshaft	C9A119	Connecting Rod with .4380" Dia. Piston Pin Bearing (Thrust Side)
C9A90	Eccentric Assembly		
C20A214	Eccentric Clamp with Nuts and Lockwashers		
C20A213	Eccentric Clamp Nut		
246750	Eccentric Key		

\*Gaskets not interchangeable. Replace defective gasket with one of same design. Cat. C11A116 is a composition gasket while Cat. C11A18 is a copper and lead gasket.

\*\*Refer to Installation and Service Material Section of Catalog for Parts of the Assembly.

†When present stock of C10A122 Valve Plate Assemblies is exhausted, Cat. No. C10A227 Valve Plate Assembly will be substituted. These assemblies are identical except for parts marked (†). For Cat. No. C10A227 Assembly order C10A228 Valve Plate; C10A230 Intake Valve Spacer; C10A231 Intake Valve Retainer.

IMPORTANT: Before ordering any of the parts marked (†) be sure to determine identity of Valve Plate Assembly. The C10A227 Assembly is distinguished by an annular groove in the Valve Plate around the Discharge and Intake Valve Seats which does not appear on the C10A122 Assembly.

Always Give Catalog Number

## RENEWAL PARTS FOR CATALOG NO. C21A76 COMPRESSOR

CAT. NO.	NAME OF PART	CAT. NO.	NAME OF PART
C8A92	Cylinder Head	C16A101	Crankcase Cover (Compressor Base)
C11A165	Cylinder Head Gasket	C11A60	Crankcase Cover Gasket
C20A346	Cylinder Head Cap Screw	C20A330	Crankcase Cover Cap Screw
C10A227	Valve Plate Complete with Valves	C9A123	Piston Complete with Piston Pin (Std.)
C10A228	Valve Plate	C9A126	Piston Complete with Piston Pin (0.003" Oversize)
C10A229	Discharge Valve	C9A125	Piston Complete with Piston Pin (0.005" Oversize)
C10A124	Discharge Valve Primary Spring (on Top of Valve)	C9A124	Piston Complete with Piston Pin (0.010" Oversize)
C10A127	Discharge Valve Spring (on Top of Retainer)	C9A130	Piston Pin (0.4998" Dia.)
C10A126	Discharge Valve Retainer	C9A131	Piston Pin (0.4999" Dia.)
C10A77	Discharge Valve Spacer	C9A132	Piston Pin (0.5000" Dia.)
C10A76	Discharge Valve Clamp	C9A127	Connecting Rod with .5001" Dia. Piston Pin Bushing
C20A10	Discharge Valve Clamp Screw	C9A128	Connecting Rod with .5002" Dia. Piston Pin Bushing
C10A128	Intake Valve	C9A129	Connecting Rod with .5003" Dia. Piston Pin Bushing
C10A130	Intake Valve Spring	C9A89	Crankshaft
C10A230	Intake Valve Spacer	C20A212	Crankshaft Thrust Washer
C10A231	Intake Valve Retainer	C20A198	Crankshaft Thrust Disc
C20A11	Intake Valve Retainer Screw	C12A1	Crankshaft Thrust Ball
C11A160	Valve Plate Gasket (0.011" Thick)	C20A197	Sealing Nut (Shaft Thrust Plug)
C11A161	Valve Plate Gasket (0.015" Thick)	C11A61	Sealing Nut Gasket
C11A162	Valve Plate Gasket (0.020" Thick)	C9A90	Eccentric Assembly
C16A100	Crankcase Complete with Oil Plug and Gasket, Suction Port Strainer and Screen	C20A214	Eccentric Clamp Assembly
C17A106	Oil Fill Plug	246750	Eccentric Key
C11A37	Oil Fill Plug Gasket	C16A134	*Removable Shaft Seal Assembly
C14A15	Suction Port Strainer	C16A36	Shaft Seal Clamping Plate
C20A271	Screen Assembly	C11A22	Shaft Seal Clamping Plate Gasket
C17A5	Elbow for Crankcase Control Connection	C20A331	Shaft Seal Clamping Plate Cap Screw

\*Refer to Installation and Service Material Section of Catalog for Parts of the Assembly.

## RENEWAL PARTS FOR CATALOG NO. C21A77 COMPRESSOR

CAT. NO.	NAME OF PART	CAT. NO.	NAME OF PART
C8A92	Cylinder Head	C16A101	Crankcase Cover (Compressor Base)
C11A165	Cylinder Head Gasket	C11A60	Crankcase Cover Gasket
C20A346	Cylinder Head Cap Screw	C20A330	Crankcase Cover Cap Screw
C10A227	Valve Plate Complete with Valves	C9A123	Piston Complete with Piston Pin (Std.)
C10A228	Valve Plate	C9A126	Piston Complete with Piston Pin (0.003" Oversize)
C10A229	Discharge Valve	C9A125	Piston Complete with Piston Pin (0.005" Oversize)
C10A124	Discharge Valve Primary Spring (on Top of Valve)	C9A124	Piston Complete with Piston Pin (0.010" Oversize)
C10A127	Discharge Valve Spring (on top of Retainer)	C9A130	Piston Pin (0.4998" Dia.)
C10A126	Discharge Valve Retainer	C9A131	Piston Pin (0.4999" Dia.)
C10A77	Discharge Valve Spacer	C9A132	Piston Pin (0.5000" Dia.)
C10A76	Discharge Valve Clamp	C9A127	Connecting Rod with .5001" Dia. Piston Pin Bushing
C20A10	Discharge Valve Clamp Screw	C9A128	Connecting Rod with .5002" Dia. Piston Pin Bushing
C10A128	Intake Valve	C9A129	Connecting Rod with .5003" Dia. Piston Pin Bushing
C10A130	Intake Valve Spring	C9A89	Crankshaft
C10A230	Intake Valve Spacer	C20A212	Crankshaft Thrust Washer
C10A231	Intake Valve Retainer	C20A198	Crankshaft Thrust Disc
C20A11	Intake Valve Retainer Screw	C12A1	Crankshaft Thrust Ball
C11A160	Valve Plate Gasket (0.011" Thick)	C20A197	Sealing Nut (Shaft Thrust Plug)
C11A161	Valve Plate Gasket (0.015" Thick)	C11A61	Sealing Nut Gasket
C11A162	Valve Plate Gasket (0.020" Thick)	C9A90	Eccentric Assembly
C16A87	Crankcase Complete with Oil Fill Plug, Suction Port Strainer and Screen	C20A214	Eccentric Clamp Assembly
C17A106	Oil Fill Plug	246750	Eccentric Key
C11A37	Oil Fill Plug Gasket	C16A134	*Removable Shaft Seal Assembly
C14A15	Suction Port Strainer	C16A36	Shaft Seal Clamping Plate
C20A271	Screen Assembly	C11A22	Shaft Seal Clamping Plate Gasket
		C20A331	Shaft Seal Clamping Plate Cap Screw

\*Refer to Installation and Service Material Section of Catalog for Parts of the Assembly.

Always Give Catalog Number

## RENEWAL PARTS FOR CATALOG NO. C21A89 COMPRESSOR

CAT. NO.	NAME OF PART	CAT. NO.	NAME OF PART
C8A92	Cylinder Head	C9A124	Piston Complete with Piston Pin (0.010" Oversize)
C11A165	Cylinder Head Gasket	C9A130	Piston Pin (0.4998" Dia.)
C20A346	Cylinder Head Cap Screw	C9A131	Piston Pin (0.4999" Dia.)
C10A227	Valve Plate Complete with Valves	C9A132	Piston Pin (0.5000" Dia.)
C10A228	Valve Plate	C9A127	Connecting Rod with .5001" Dia. Piston Pin Bushing
C10A229	Discharge Valve	C9A128	Connecting Rod with .5002" Dia. Piston Pin Bushing
C10A124	Discharge Valve Primary Spring (on Top of Valve)	C9A129	Connecting Rod with .5003" Dia. Piston Pin Bushing
C10A127	Discharge Valve Spring (On Top of Retainer)	C9A89	Crankshaft
C10A126	Discharge Valve Retainer	C20A212	Crankshaft Thrust Washer
C10A77	Discharge Valve Spacer	C20A198	Crankshaft Thrust Disc
C10A76	Discharge Valve Clamp	C12A1	Crankshaft Thrust Ball
C20A10	Discharge Valve Clamp Screw	C20A197	Sealing Nut (Shaft Thrust Plug)
C10A128	Intake Valve	C11A61	Sealing Nut Gasket
C10A130	Intake Valve Spring	C9A158	Eccentric Assembly
C10A230	Intake Valve Spacer	C20A214	Eccentric Clamp Assembly
C10A231	Intake Valve Retainer	Z46750	Eccentric Key
C20A11	Intake Valve Retainer Screw	C16A134	*Removable Shaft Seal Assembly
C11A160	Valve Plate Gasket (0.011")	C16A36	Shaft Seal Clamping Plate
C11A161	Valve Plate Gasket (0.015")	C11A22	Shaft Seal Clamping Plate Gasket
C11A162	Valve Plate Gasket (0.020")	C20A331	Shaft Seal Clamping Plate Cap Screw
C16A100	Crankcase Complete with Oil Plug, and Gasket Suction Port Strainer, and Screen	C1A30	Service Suction Valve
C17A106	Oil Fill Plug	C17A1	Service Suction Valve Cap
C11A37	Oil Fill Plug Gasket	C20A14	Service Suction Valve Cap Gasket
C14A15	Suction Port Strainer	C11A116	Service Suction Valve Gasket
C20A271	Screen Assembly	C20A200	Service Suction Valve Cap Screw (Model "A" Units)
C17A5	Elbow for Crankcase Control Connection	C20A332	Service Suction Valve Cap Screw (Model "B" Units)
C16A101	Crankcase Cover (Compressor Base)	A19X33	Service Suction Valve Flare Nut
C11A60	Crankcase Cover Gasket	A19X67	Service Suction Valve Flare Seal Bonnet
C20A330	Crankcase Cover Cap Screw	C1A51	Service Discharge Valve
C9A123	Piston Complete with Piston Pin (Std.)	C17A1	Service Discharge Valve Cap
C9A126	Piston Complete with Piston Pin (0.003" Oversize)	C20A14	Service Discharge Valve Cap Gasket
C9A125	Piston Complete with Piston Pin (0.005" Oversize)	C11A116	Service Discharge Valve Gasket
		C20A312	Service Discharge Valve Cap Screw

\*Refer to Installation and Service Material Section of Catalog for Parts of the Assembly.

## RENEWAL PARTS FOR CATALOG NO. C21A91 COMPRESSOR

CAT. NO.	NAME OF PART	CAT. NO.	NAME OF PART
C8A92	Cylinder Head	C11A60	Crankcase Cover Gasket
C20A346	Cylinder Head Cap Screws	C20A330	Crankcase Cover Cap Screw
C11A165	Cylinder Head Gasket	Z46750	Key for Eccentric
C10A227	Valve Plate Assembly with Valves	C9A91	Eccentric Assembly
C10A228	Valve Plate	C20A214	Eccentric Clamp Assembly
C10A229	Discharge Valve	C9A123	Piston Complete with Piston Pin and Safety Set Screw (Std.)
C10A124	Discharge Valve Primary Spring (on Top of Valve)	C9A126	Piston Complete with Piston Pin and Safety Set Screw (0.003" Oversize)
C10A126	Discharge Valve Retainer	C9A125	Piston Complete with Piston Pin and Safety Set Screw (0.005" Oversize)
C10A127	Discharge Valve Spring (on Top of Retainer)	C9A124	Piston Complete with Piston Pin and Safety Set Screw (0.010" Oversize)
C10A76	Discharge Valve Clamp	C9A130	Piston Pin (0.4998" Dia.)
C20A10	Discharge Valve Clamp Screws	C9A131	Piston Pin (0.4999" Dia.)
C10A77	Discharge Valve Spacer	C9A132	Piston Pin (0.5000" Dia.)
C10A128	Intake Valve	C9A133	Connecting Rod with .5001" Dia. Piston Pin Bushing
C10A231	Intake Valve Retainer	C9A134	Connecting Rod with .5002" Dia. Piston Pin Bushing
C10A130	Intake Valve Spring	C9A135	Connecting Rod with .5003" Dia. Piston Pin Bushing
C10A230	Intake Valve Spacer	C9A89	Crankshaft
C20A11	Intake Valve Retainer Screw	C20A212	Crankshaft Thrust Washer
C11A160	Valve Plate Gasket (0.011")	C20A198	Crankshaft Thrust Disc
C11A161	Valve Plate Gasket (0.015")	C12A1	Crankshaft Thrust Ball
C11A162	Valve Plate Gasket (0.020")	C20A197	Sealing Nut (Shaft Thrust Plug)
C16A134	*Removable Shaft Seal Assembly	C11A61	Sealing Nut Gasket
C11A22	Shaft Seal Gasket	C1A54	Service Discharge Valve
C16A36	Shaft Seal Clamping Plate	C1A55	Service Suction Valve
C20A331	Shaft Seal Clamping Plate Cap Screws	C17A1	Service Valve Cap
C16A100	Crankshaft Complete with Plugs, Gasket, Suction Port Strainer and Screen	C20A14	Service Valve Cap Gasket
A19A5	Pipe Plug for Crankcase	C11A116	Service Valve Gasket
C17A106	Oil Fill Plug	C20A312	Service Valve Cap Screw
C11A37	Oil Fill Plug Gasket		
C14A15	Suction Port Strainer		
C20A271	Screen Assembly		
C16A101	Crankcase Cover (Compressor Base)		

\*Refer to Installation and Service Material Section of Catalog for Parts of the Assembly.

Always Give Catalog Number

## RENEWAL PARTS FOR CAT. NO. C21A141 AND C21A169 COMPRESSORS

<i>Cat. No.</i>	<i>Description</i>	<i>Cat. No.</i>	<i>Description</i>
C8A102	Cylinder Head With Control Connection Tee	C9A185	Piston Complete With Piston Pin (.003" Over-size)
C17A146	Control Connection Tee	C9A130	Piston Pin (.4998" Dia.)
C11A247	Cylinder Head Gasket	C9A131	Piston Pin (.4999" Dia.)
C20A523	Cylinder Head Cap Screw	C9A132	Piston Pin (.5000" Dia.)
C10A315	Valve Plate Complete With Discharge Valve	C9A133	Connecting Rod With .5001" Piston Pin Bearing
C10A316	Valve Plate	C9A134	Connecting Rod With .5002" Piston Pin Bearing
C10A279	Discharge Valve	C9A135	Connecting Rod With .5003" Piston Pin Bearing
C10A280	Discharge Valve Retainer	C9A89	Crankshaft
C20A524	Discharge Valve Retainer Screw	C20A212	Crankshaft Thrust Washer
60X366	Discharge Valve Retainer Screw Lockwasher	C12A1	Crankshaft Thrust Ball
C20A525	Dowel Pin	C20A197	Crankshaft Thrust Plug
C10A306	Intake Valve And Gasket	C20A198	Crankshaft Thrust Disc
C11A269	Intake Valve Gasket (.0037" Thick) (On Top Of Valve)	C11A61	Crankshaft Thrust Plug Gasket
C11A276	Intake Valve Gasket (.028" Thick) (On Bottom Of Valve)	C9A159	Eccentric Assembly
C16A176	Crankcase With Oil Fill Plug & Gasket, Strainer & Screen)	C20A526	Eccentric Clamp With Screws and Lockwashers
C17A106	Oil Fill Plug	C20A527	Eccentric Clamp Screw
C11A37	Oil Fill Plug Gasket	66X896	Eccentric Clamp Screw Lockwasher
C14A15	Suction Port Strainer	246750	Eccentric Key
C20A271	Screen Assembly (C21A141)	C16A134	Removable Shoulder And Shaft Seal Assembly
C20A790	Oil return baffle plate (C21A168)	C16A88	Bellows Assembly With Removable Shoulder & Washer
C20A791	Oil return baffle plate screw (C21A168)	C16A89	Clamping Plate
A19A5	Pipe Plug	C11A22	Clamping Plate Gasket
C16A101	Crankcase Cover (Compressor Base)	C16A36	Shaft Seal Clamping Plate (Original)
C11A60	Crankcase Cover Gasket	C11A22	Shaft Seal Clamping Plate Gasket
C20A330	Crankcase Cover Cap Screw	C20A331	Shaft Seal Clamping Plate Cap Screw
C9A182	Piston Complete With Piston Pin (St'd)	C1A51	Service Valves (Suction And Discharge)
C9A183	Piston Complete With Piston Pin (.010" Over-size)	C17A1	Service Valve Cap
C9A184	Piston Complete With Piston Pin (.005" Over-size)	C20A14	Service Valve Cap Gasket
		C11A116	Service Valve Gasket
		C20A312	Service Valve Cap Screw

Always Give Catalog Number

## REFRIGERATING MACHINES

### Model AC-62-AA, AC-62-CA Machine—Parts

Catalog Number		Description	Catalog Number		Description
AC-62-AA	AC-62-CA		AC-62-AA	AC-62-CA	
WR 9X 1A	WR 9X 1A	Temperature Control	N34P13004	-	Screw for Evap. Back (#6-32x1/2")
WR 2X 72	WR 2X 72	Knob for Control with Indicator	WR 1X 68	-	Washer for Screw
WR 2X 73	WR 2X 73	Indicator for Knob	WR 1X 69	-	Nut for Screw
WR 1X 83	WR 1X 83	Screw for Knob (#6-32x7/16")	WR 2X226	WR49X 7	Spring for Compressor Mounting
WR 2X 29	WR 2X 29	Control Terminal Cover & Screw	WR 2X225	WR49X 8	Support for Spring
N44P13008C	N44P13008C	Screw for Cover (#6-32x1/2")	WR 2X200	-	Screw & Lockwasher for Support (#10-32x3/8")
WR 8X 6	WR 8X 6	Bellows	WR 2X214	-	Screw & Lockwasher for Support (#12-24x7/16") Oversize to replace WR2X200
WR 2X 74	WR 2X 74	Bellows Tube Clamp	-	N13P21010C	Screw for Support (1/4-20x5/8")
N53P14005	N53P14005	Screw for Bellows Tube Clamp (#6-32x1 1/4")	-	N404P25B	Lockwasher for Screw
WR 7X 2	WR 7X 6	Relay	-	WR 3X 25	Escutcheon for Control
WR 1X 78	WR 1X 78	Screw for Terminal (#6-32x1/4")	WR 3X 27	WR 1X 59	Screw for Escutcheon-Escutcheon to
WR 1X 84	WR 1X 84	Screw for Terminal (#6-32x1/2")	WR 1X 59	WR 1X 59	Evaporator (#6x1/2" Self Tap.)
WR 2X111	WR 2X111	Spring Clamp	WR 1X 60	WR 1X 60	Washer for Screw
WR 2X112	WR 2X112	Backplate for Relay	WR 1X105	WR 1X105	Screw-Escutcheon to Control (#8-32x1/2")
WR23X 3	WR23X 18	Connector Cord Assembly			
WR 2X 99	WR 2X499	Evaporator Back			

### Model AC-82-AA, AC-82-CA Machine—Parts

Catalog Number		Description	Catalog Number		Description
AC-82-AA	AC-82-CA		AC-82-AA	AC-82-CA	
WR 9X 1A	WR 9X 1A	Temperature Control	WR 1X 68	-	Washer for Screw
WR 2X 72	WR 2X 72	Knob for Control with Indicator	WR 1X 69	-	Nut for Screw
WR 2X 73	WR 2X 73	Indicator for Knob	WR 2X226	WR49X 7	Spring for Compressor Mounting
WR 1X 83	WR 1X 83	Screw for Knob (#6-32x7/16")	WR 2X225	WR49X 8	Support for Spring
WR 2X 29	WR 2X 29	Control Terminal Cover and Screw	WR 2X200	-	Screw & Lockwasher for Support (#10-32x3/8")
N44P13008C	N44P13008C	Screw for Cover (#6-32x1/2")	WR 2X214	-	Screw & Lockwasher for Support (#12-24x7/16"-Oversize to replace WR2X200)
WR 8X 6	WR 8X 6	Bellows	-	N13P21010C	Screw for Support (1/4-20x5/8")
WR 2X 74	WR 2X 74	Bellows Tube Clamp	-	N404P25B	Lockwasher for Screw
N53P14005	N53P14005	Screw for Bellows Tube Clamp (#6-32x1 1/4")	WR 3X 25	WR 3X 25	Escutcheon for Control
WR 7X 2	WR 7X 6	Relay	WR 1X 59	WR 1X 59	Screw for Escutcheon-Escutcheon to
WR 1X 78	WR 1X 78	Screw for Terminal (#6-32x1/4")	WR 1X 60	WR 1X 60	Evaporator (#6x1/2" Self Tap.)
WR 1X 84	WR 1X 84	Screw for Terminal (#6-32x1/2")	WR 1X105	WR 1X105	Washer for Screw
WR 2X111	WR 2X111	Spring Clamp			Screw for Escutcheon-Control to
WR 2X112	WR 2X112	Backplate for Relay			Escutcheon (#8-32x1/2")
WR23X 2	WR23X 18	Connector Cord Assembly			
WR 2X345	WR 2X498	Evaporator Back			
N34P13004	-	Screw for Evap. Back (#6-32x1/2")			

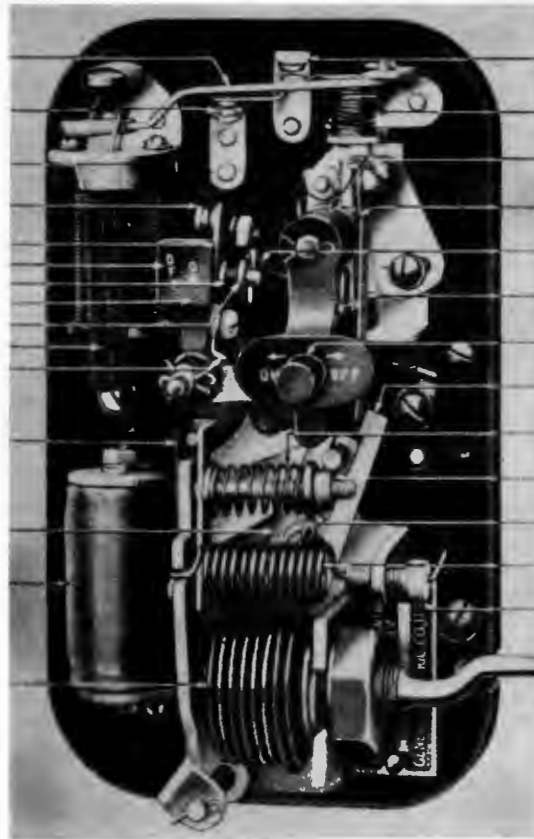
### Model AH-83-AA Machine—Parts

Cat. No.	Description	Cat. No.	Description
WR 9X 23	Temperature Control-Small	WR 7X 7	Relay
WR 2X495	Knob for Control-(For Small Control)	WR 1X 78	Screw for Terminal (#6-32x1/4")
WR 2X496	Cap for Knob-(For Small Control)	WR 1X 84	Screw for Terminal (#6-32x1/2")
N80P13006B	Screw for Knob-(For Small Control) (#6-32x3/8")	WR 2X111	Spring Clamp
WR 9X 8	Temperature Control-Large	WR 2X497	Backplate for Relay
WR 2X236	Knob for Control-(For Large Control)	WR23X 19	Connector Cord Assembly
WR 2X 73	Indicator for Knob-(For Large Control)	WR 3X 44	Escutcheon for Control
N40P13006	Screw for Knob-(For Large Control) (#6-32x3/8")	WR 1X105	Screw-Escutcheon to Control (#8-32x1/2")
WR 2X 29	Control Terminal Cover & Screw-(For Large Control)	WR49X 7	Mounting Spring
N44P13008C	Screw For Cover (#6-32x1/2")	WR49X 8	Support for Spring-Upper
		N13P21010C	Screw for Mounting (1/4"-20x5/8")
		N405P11C	Lockwasher for Screw

**CONTROLS**

# "A" TYPE CONTROL

11X44)  
11X45)  
  
11X47  
  
11X49)  
11X96)  
  
11X38  
11X143  
11X40  
11X504  
11X41  
11X142  
11X43  
  
11X99  
  
11X33  
  
11X23  
  
11X396



11X46  
11X48  
11X37  
{11X26  
11X27  
11X127  
11X42  
11X25  
11X36  
11X34  
11X30  
11X31  
11X32  
{11X28  
11X115  
11X29

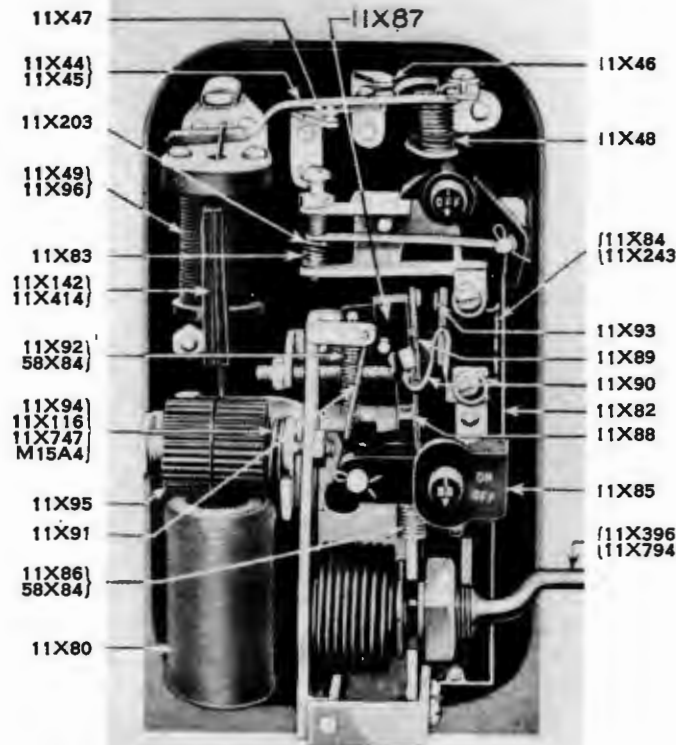
**N. B.—Complete A Type Controls no longer available. Order corresponding C Type control and 11X984 adapter.**

"A" TYPE	DRA-2 and DR-2D				DR-3			
	110V., 60C.	110V., 25C.	115V., D.C.	230V., D.C.	110V., 60C.	110V., 25C.	115V., D.C.	230V., D.C.
Catalog Number, Complete Control.....	2827797	1056788	2881829		2881828	3653919	2881829	
Type of Control.....	CR-1050 A-1	CR-1050 A-4	CR-1050 A-3		CR-1050 A-2	CR-1050 A-5	CR-1050 A-3	
Adjusting Nut for Compression Spring.....	11X31	11X31	11X31	11X31	11X31	11X31	11X31	11X31
Adjusting Screw for Bellows Arm.....	11X29	11X29	11X29	11X29	11X29	11X29	11X29	11X29
Compression Spring for Bellows Arm.....	11X30	11X30	11X30	11X30	11X30	11X30	11X30	11X30
Compression Spring for 11X38 Contact Tip.....	11X40	11X40	11X40	11X40	11X40	11X40	11X40	11X40
Compression Spring for Latch.....	11X35	11X35	11X35	11X35	11X35	11X35	11X35	11X35
Compression Spring for Relay Contact Arm.....	11X48	11X48	None	None	11X48	11X48	None	None
Contact Tip with Support (Indicating).....	11X38	11X38	11X38	11X38	11X38	11X38	11X38	11X38
Contact Tip with Support Mounted on Bakelite Operating Arm, Shunt and Latch.....	11X504	11X504	11X504	11X504	11X504	11X504	11X504	11X504
Control Panel Cover.....	11X21	11X21	11X21	11X21	11X21	11X21	11X21	11X21
Laminated Core.....	11X142	11X142	None	None	11X142	11X142	None	None
Latch (Inner) with Bushing.....	11X33	11X33	11X33	11X33	11X33	11X33	11X33	11X33
Latch (Outer) with Bushing.....	11X34	11X34	11X34	11X34	11X34	11X34	11X34	11X34
Leaf Spring.....	11X99	11X99	11X99	11X99	11X99	11X99	11X99	11X99
*Metallic Bellows.....	11X396	11X396	11X396	11X396	11X396	11X396	11X396	11X396
Overload Heater.....	11X26	11X26	11X27	11X127	11X27	11X26	11X27	11X127
Overload Thermal Strip.....	11X25	11X25	11X25	11X25	11X25	11X25	11X25	11X25
Relay Contact Arm with Tip and Bumper.....	11X44	11X45	None	None	11X45	11X45	None	None
Relay Operating Coil.....	11X49	11X96	None	None	11X49	11X96	None	None
Relay Stationary Contact Tip with Outer Support.....	11X46	11X46	None	None	11X46	11X46	None	None
Relay Stationary Contact Tip with Inner Support.....	None	11X47	None	None	11X47	11X47	None	None
Resistor.....	11X23	None	None	None	†None	None	None	None
Shunt for 11X504.....	11X42	11X42	11X42	11X42	11X42	11X42	11X42	11X42
Shunt for 11X40.....	11X43	11X43	11X43	11X43	11X43	11X43	11X43	11X43
Spring Seat for 11X30 Compression Spring.....	11X32	11X32	11X32	11X32	11X32	11X32	11X32	11X32
Spring Seat for 11X40 Compression Spring.....	11X41	11X41	11X41	11X41	11X41	11X41	11X41	11X41
Switch Arm and Contact Arm.....	11X143	11X143	11X143	11X143	11X143	11X143	11X143	11X143
Switch Knob.....	11X36	11X36	11X36	11X36	11X36	11X36	11X36	11X36
Tension Spring for Bellows Arm.....	11X28	11X28	11X28	11X28	11X28	11X28	11X28	11X28
Tension Spring (High Altitude).....	11X115	11X115	11X115	11X115	11X115	11X115	11X115	11X115
Thumb Nut for Cover.....	11X22	11X22	11X22	11X22	11X22	11X22	11X22	11X22
Torsion Spring for Switch Knob.....	11X37	11X37	11X37	11X37	11X37	11X37	11X37	11X37

\* Use 11X146 Methyl Chloride Bellows for low temperature applications.  
† Use 11X18 Resistor to operate on 110 V., 50 Cy. Catalog No. 11X24 covers same resistor less support.

Always Give Catalog Number

# "C" TYPE CONTROL



## Domestic Units

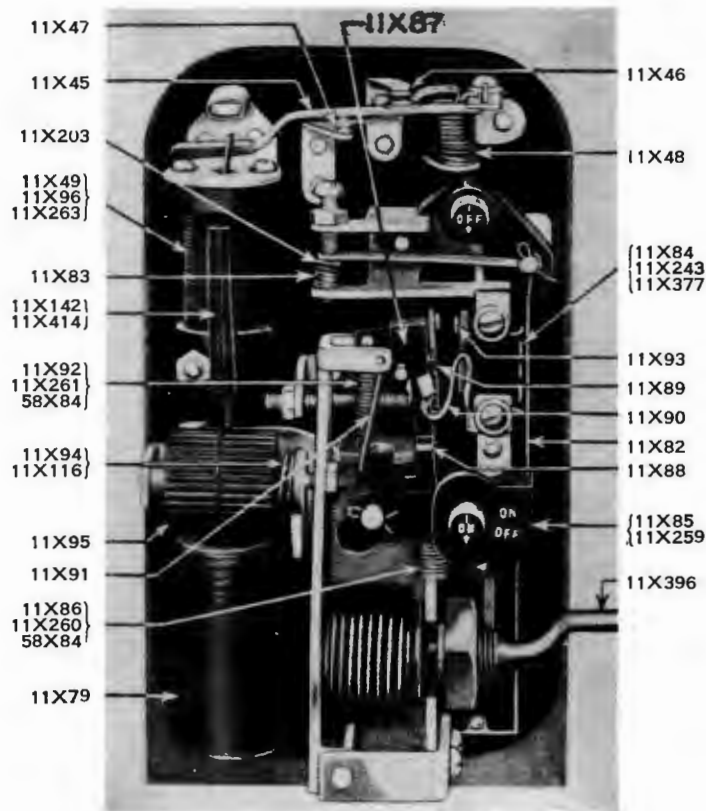
"C" TYPE	DR-2E and DRA-2				DRA-2A				DRB-3
	110 V., 60 Cy.	110 V., 25 Cy.	*230 V., 115 V., D.C.	110 V., 60 Cy.	110 V., 60 Cy.	110 V., 25 Cy.	115 V., D.C.	230 V., D.C.	110 V., 60 Cy.
Complete Control.....	3656055	3656058	3656057	2884689	11X756	11X755	11X757	11X758	3656056
Type of Control.....	CR-1050 C-12	CR-1050 C-4	CR-1050 C-3	CR-1050 C-12	CR-1050 C-29	CR-1050 C-28	CR-1050 C-30	CR-1050 C-31	CR-1050 C-2
Adjusting Drum for Compression Spring.....	11X95	11X95	11X95	11X95	11X95	11X95	11X95	11X95	11X95
Compression Spring for Bellows Arm.....	†11X94	†11X94	†11X94	†11X94	†M15A4	†M15A4	†M15A4	†M15A4	†11X94
Compression Spring for Relay Contact Arm.....	11X48	11X48	None	11X48	11X48	11X48	11X48	11X48	11X48
Compression Spring for Resetting Arm.....	11X86	11X86	11X86	11X86	11X86	11X86	11X86	11X86	11X86
Compression Spring for Tripping Arm.....	11X83	11X83	11X83	11X83	11X83	11X83	11X83	11X83	11X83
Contact Arm (Bakelite) for Main Switch.....	11X88	11X88	11X88	11X88	11X88	11X88	11X88	11X88	11X88
Contact Arm (Bakelite) with Contact Tip, Tip Support and Shunt.....	11X87	11X87	11X87	11X87	11X87	11X87	11X87	11X87	11X87
Contact Tip with Support for Main Switch.....	11X89	11X89	11X89	11X89	11X89	11X89	11X89	11X89	11X89
Control Panel Cover.....	11X81	11X81	11X81	11X81	11X81	11X81	11X81	11X81	11X81
Laminated Core.....	11X142	11X414	None	11X142	11X142	11X414	None	None	11X142
†Metallic Bellows.....	11X396	11X396	11X396	11X396	11X794	11X794	11X794	11X794	11X396
Overload Heater.....	11X84	11X243	*11X84	11X84	11X84	11X243	11X84	11X243	11X84
Relay Contact Arm.....	11X44	11X45	None	11X44	11X44	11X45	None	None	11X45
Relay Operating Coil.....	11X49	11X96	None	11X49	11X49	11X96	None	None	11X49
Relay Stationary Contact Tip (Upper).....	11X46	11X46	None	11X46	11X46	11X46	None	None	11X46
Relay Stationary Contact Tip (Lower).....	None	11X47	None	None	None	11X47	None	None	11X47
Resetting Arm.....	11X85	11X85	11X85	11X85	11X85	11X85	11X85	11X85	11X85
‡Resistor.....	11X80	†None	None	11X80	11X80	None	None	None	None
Resistor Bracket Set with Screw and Washer.....	11X505	11X505	11X505	11X505	11X505	11X505	11X505	11X505	11X505
Retainer for 11X83 Spring.....	11X203	11X203	11X203	11X203	11X203	11X203	11X203	11X203	11X203
Shunt for Main Switch.....	11X90	11X90	11X90	11X90	11X90	11X90	11X90	11X90	11X90
Stationary Contact Tip with Support (Main Switch).....	11X93	11X93	11X93	11X93	11X93	11X93	11X93	11X93	11X93
Tension Spring for Toggle and Contact Arm.....	11X92	11X92	11X92	11X92	11X92	11X92	11X92	11X92	11X92
Tripping Arm with Thermal Strips.....	11X82	11X82	11X82	11X82	11X82	11X82	11X82	11X82	11X82
Toggle for Contact Arm.....	11X91	11X91	11X91	11X91	11X91	11X91	11X91	11X91	11X91
Special Bridle and Latch Spring.....	58X84	58X84	58X84	58X84	58X84	58X84	58X84	58X84	58X84

\* 230 Volt Control uses 11X243 overload heater in place of 11X84.  
 † Use 11X116 Compression Spring for high altitudes.  
 ‡ Use 11X146 Methyl Chloride Bellows for low temperature applications.  
 § Use 11X255 Resistor for operation on 110V., 30 Cy. Catalog No. 11X246 covers same resistor less brackets.  
 ¶ Use 11X77 Resistor with brackets or 11X78 Resistor less brackets to operate on 110 V., 60 Cy. units on Kohler Plants.  
 N.B.—11X327 Blank Control Panel Covers available to replace standard cover. Use 58X177 Rod with 11X327 Cover.

Always Give Catalog Number



## "C" TYPE CONTROL



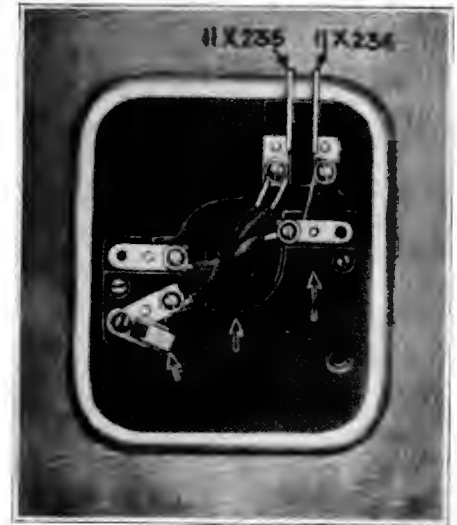
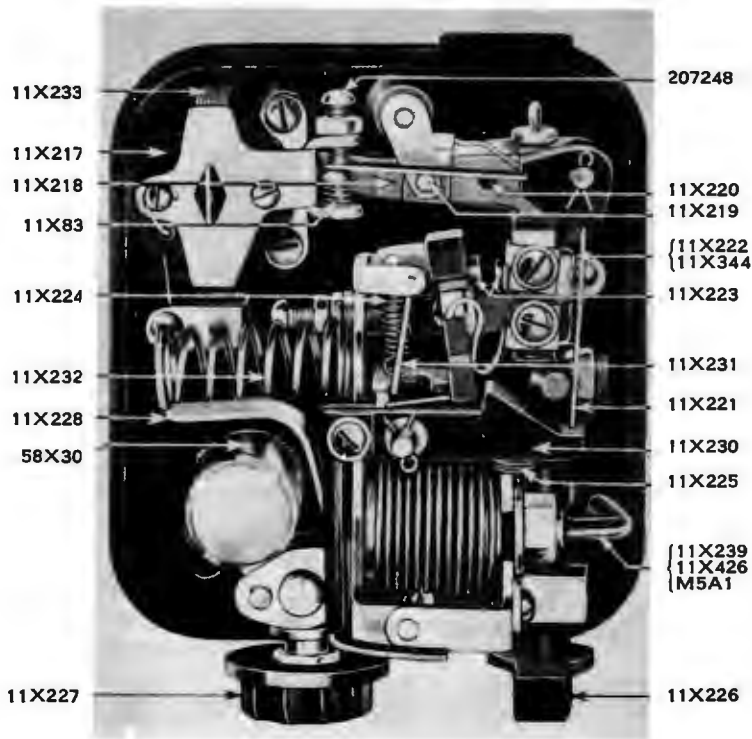
### Domestic Units

"C" TYPE	DR-3				*DRA-4, DRE-4, D-40A, D-40C, D-40E		
	110 V., 60 Cy.	110 V., 25 Cy.	115 V., D.C.	230 V., D.C.	110 V., 60 Cy.	115 V., D.C.	230 V., D.C.
Complete Control.....	3656056	3656059	3656057		2884684	2884691	58X256
Type of Control.....	CR-1050 C-2	CR-1050 C-5	CR-1050 C-3		CR-1050 C-10	CR-1050 C-14	CR-1050
Adjusting Drum for Compression Spring.....	11X95	11X95	11X95	11X95	11X95	11X95	11X95
Compression Spring for Bellows Arm.....	†11X94	†11X94	†11X94	†11X94	†11X94	†11X94	†11X94
Compression Spring for Relay Contact Arm.....	11X48	11X48	None	None	11X48	None	None
Compression Spring for Resetting Arm.....	11X86	11X86	11X86	11X86	11X260	11X260	11X260
Compression Spring for Tripping Arm.....	11X83	11X83	11X83	11X83	11X83	11X83	11X83
Contact Arm (Bakelite) for Main Switch.....	11X88	11X88	11X88	11X88	11X88	11X88	11X88
Contact Arm (Bakelite) with Contact Tip, Tip Support and Shunt.....	11X87	11X87	11X87	11X87	11X87	11X87	11X87
Contact Tip with Support for Main Switch.....	11X89	11X89	11X89	11X89	11X89	11X89	11X89
Control Panel Cover.....	11X81	11X81	11X81	11X81	11X81	11X81	11X81
Laminated Core.....	11X142	11X414	None	None	11X142	None	None
†Metallic Bellows.....	11X396	11X396	11X396	11X396	11X396	11X396	11X396
Overload Heater.....	11X84	11X243	11X84	11X243	11X377	11X377	11X84
Relay Contact Arm.....	11X45	11X45	None	None	11X45	None	None
Relay Operating Coil.....	11X49	11X96	None	None	11X263	None	None
Relay Stationary Contact Tip (Upper).....	11X46	11X46	None	None	11X46	None	None
Relay Stationary Contact Tip (Lower).....	11X47	11X47	None	None	11X47	None	None
Resetting Arm.....	11X85	11X85	11X85	11X85	11X259	11X259	11X259
‡Resistor.....	†None	None	None	None	None	None	None
Resistor Bracket Set with Screw and Washer.....	11X505	11X505	11X505	11X505	11X505	11X505	11X505
Retainer for 11X83 Spring.....	11X203	11X203	11X203	11X203	11X203	11X203	11X203
Shunt for Main Switch.....	11X90	11X90	11X90	11X90	11X90	11X90	11X90
Stationary Contact Tip with Support (Main Switch).....	11X93	11X93	11X93	11X93	11X93	11X93	11X93
Tension Spring for Toggle and Contact Arm.....	11X92	11X92	11X92	11X92	11X261	11X261	11X261
Tripping Arm with Thermal Strips.....	11X82	11X82	11X82	11X82	11X82	11X82	11X82
Toggle for Contact Arm.....	11X91	11X91	11X91	11X91	11X91	11X91	11X91
Special Bridle and Latch Spring.....	58X84	58X84	58X84	58X84	58X84	58X84	58X84

\* DRA-4, DRE-4 in 110 V. 60 cycle only. D-40E only unit in 230 V., D.C.  
 † Use 11X116 Compression Spring for high altitudes.  
 ‡ Use 11X146 Methyl Chloride Bellows for low temperature applications.  
 § Use 11X79 Resistor to operate on 110 V., 50 Cy.  
 ¶ Use 11X77 Resistor with brackets or 11X78 Resistor less brackets for 110 V., 60 Cy. units on Kohler Plants.  
 N.B.—11X327 Blank Control Cover Panels available to replace standard cover. Use 58X177 Rod with 11X327 Cover.

Always Give Catalog Number

## "D" TYPE CONTROL

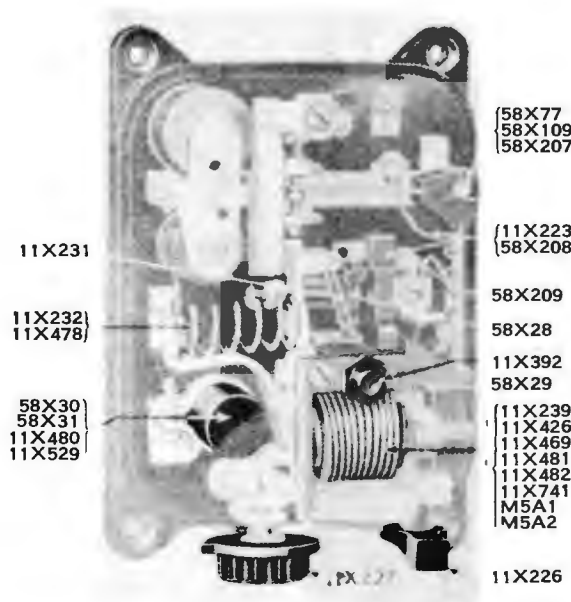


"D" TYPE	DR-1A			DR-1F	DR-1F		SD-40
	110 V., 60 Cy.	115 V., D.C.	230 V., D.C.	110 V., 60 Cy.	115 V., D.C.	230 V., D.C.	110 V., 60 Cy.
Complete Control.....	3880413	3881581	2884698	M1A116	M1A141	M1A142	3886824
Type Control.....	CR-1050 D-1	CR-1050 D-2	CR-1050 D-4	CR-1050 D-1	CR-1050 D-2	CR-1050 D-4	CR-1050 D-5
Arm for Temperature Adjusting Spring.....	11X228	11X228	11X228	11X228	11X228	11X228	11X228
Compression Spring for Resetting Arm.....	11X225	11X225	11X225	11X225	11X225	11X225	11X225
Compression Spring for Relay Contact Arm.....	11X220	None	None	11X220	None	None	11X220
Compression Spring for Tripping Arm.....	11X83	11X83	11X83	11X83	11X83	11X83	11X83
Contact Arm with Tip, Support and Shunt.....	11X223	11X223	11X223	11X223	11X223	11X223	11X223
Contact Blade for Plug (Left Hand).....	11X235	11X235	11X235	11X235	11X235	11X235	11X235
Contact Blade for Plug (Right Hand).....	11X236	11X236	11X236	11X236	11X236	11X236	11X236
Contact Spring for Resistor.....	11X234	11X234	11X234	11X234	11X234	11X234	11X234
Control Panel Cover.....	11X238	11X238	11X238	11X238	11X238	11X238	11X238
Laminated Core.....	11X233	None	None	11X233	None	None	11X233
Latch and Indicating Arms.....	11X230	11X230	11X230	11X230	11X230	11X230	11X230
Metallic Bellows.....	11X239	11X239	11X239	M5A1	M5A1	M5A1	11X426
Overload Heater.....	11X222	11X222	11X344	11X222	11X222	11X344	11X222
Relay Contact Arm.....	11X218	None	None	11X218	None	None	11X218
Relay Operating Coil.....	11X217	None	None	11X217	None	None	11X217
Relay Stationary Contact Tip.....	11X219	None	None	11X219	None	None	11X219
Reset Lever.....	11X226	11X226	11X226	11X226	11X226	11X226	11X226
Resistor.....	*58X30	None	None	*58X30	None	None	*58X30
Shunt.....	11X402	11X402	11X402	11X402	11X402	11X402	11X402
Sub-base Packing.....	11X237	11X237	11X237	11X237	11X237	11X237	11X237
Sub-base Panel Assembly Complete.....	11X381	None	None	11X381	None	None	11X381
Sub-base Panel Only.....	11X383	11X383	11X383	11X383	11X383	11X383	11X383
Temperature Adjusting Knob.....	11X227	11X227	11X227	11X227	11X227	11X227	11X227
Temperature Adjusting Spring.....	†11X232	†11X232	†11X232	†11X232	†11X232	†11X232	†11X232
Tension Spring for Contact Arm.....	11X224	11X224	11X224	11X224	11X224	11X224	11X224
Toggle Link.....	11X231	11X231	11X231	11X231	11X231	11X231	11X231
Tripping Arm with Thermal Strips.....	11X221	11X221	11X221	11X221	11X221	11X221	11X221

\* 11X480 Wire Wound Resistor, also used.  
 † Use 11X478 Temperature Adjusting Spring for high altitudes.  
 ‡ Use 11X468 Methyl Chloride Bellows for low temperature applications.  
 N.B.—Use Catalog No. 11X207 Seven-way Receptacle for D.C. units.

Always Give Catalog Number

# "E" TYPE CONTROL



- 58X77
- 58X109
- 58X207
- 11X223
- 58X208
- 58X209
- 58X28
- 11X392
- 58X29
- 11X239
- 11X426
- 11X469
- 11X481
- 11X482
- 11X741
- M5A1
- M5A2
- 11X226

**N.B.—Special Bridle and Latch Springs 58X28 and 58X29 can be used to replace original springs. To seal controls against dirt and insects, use 58X10 Sealing Bushing.**

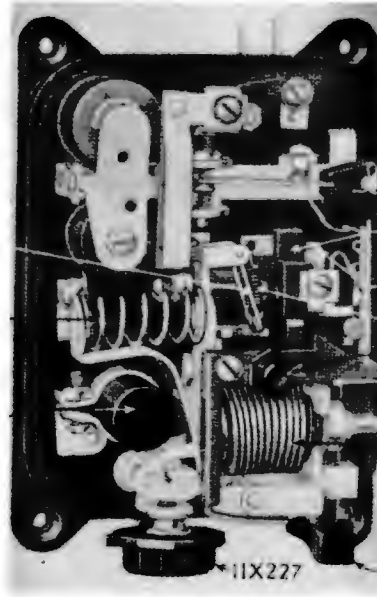
	DR-1B			DR-1E			SD-40		DR-2F and D-2A			
	110 V., 60 C.	115 V., D.C.	230 V., D.C.	110 V., 60 C.	115 V., D.C.	230 V., D.C.	Left-Hand Unit	Right-Hand Unit	110 V., 60 C.	110 V., 25 C.	115 V., D.C.	230 V., D.C.
Complete Control.....	*11X438	11X405	11X404	M1A96	M1A100	M1A99	11X409	11X439	11X737	11X736	11X739	11X738
Bakelite Control Cover Nut....	11X392	11X392	11X392	11X392	11X392	11X392	11X392	11X392	11X392	11X392	11X392	11X392
Control Cover.....	58X118	58X118	58X118	58X118	58X118	58X118	58X118	58X118	58X118	58X118	58X118	58X118
Main Contact Tip with Support (Movable).....	58X208	11X223	11X223	58X208	11X223	11X223	58X208	58X208	58X208	58X208	11X223	11X223
Main Contact Tip with Support (Stationary).....	58X209	58X209	58X209	58X209	58X209	58X209	58X209	58X209	58X209	58X209	58X209	58X209
†Metallic Bellows.....	11X239	11X239	11X239	M5A1	M5A1	M5A1	11X426	11X481	11X741	11X741	11X741	11X741
Reset Lever.....	11X226	11X226	11X226	11X226	11X226	11X226	11X226	11X226	11X226	11X226	11X226	11X226
Resistor.....	§11X480	None	None	§11X480	None	None	§11X480	§11X480	58X30	None	None	None
Sub-base Assembly.....	11X544	11X546	11X546	11X544	11X546	11X546	11X544	11X544	11X544	11X545	11X546	11X546
Temperature Adjustment Knob.....	11X227	11X227	11X227	11X227	11X227	11X227	11X227	11X227	11X227	11X227	11X227	11X227
Temperature Adjustment Spring.....	†11X232	†11X232	†11X232	†11X232	†11X232	†11X232	†11X232	†11X232	†11X232	†11X232	†11X232	†11X232
Thermal Overload Unit Assembly with Shunts.....	58X207	58X207	58X109	58X207	58X207	58X109	58X207	58X207	58X77	58X109	58X207	58X109
Toggle Link.....	11X231	11X231	11X231	11X231	11X231	11X231	11X231	11X231	11X231	11X231	11X231	11X231

	DR-2C and D-2B				D-15A	
	110 V., 60 C.	110 V., 25 C.	115 V., D.C.	230 V., D.C.	110 V., 60 C.	110 V., 25 C.
Complete Control.....	M1A97	M1A98	M1A101	M1A102	11X780	58X9
Bakelite Control Cover Nut....	11X392	11X392	11X392	11X392	11X392	11X392
Control Cover.....	58X118	58X118	58X118	58X118	58X118	58X118
Main Contact Tip with Support (Movable).....	58X208	58X208	11X223	11X223	58X208	58X208
Main Contact Tip with Support (Stationary).....	58X209	58X209	58X209	58X209	58X209	58X209
†Metallic Bellows.....	M5A1	M5A1	M5A1	M5A1	11X239	11X239
Reset Lever.....	11X226	11X226	11X226	11X226	11X226	11X226
Resistor.....	58X30	None	None	None	58X30	None
Sub-base Assembly.....	11X544	11X545	11X546	11X546	11X544	11X545
Temperature Adjustment Knob.....	11X227	11X227	11X227	11X227	11X227	11X227
Temperature Adjustment Spring.....	†11X232	†11X232	†11X232	†11X232	†11X232	†11X232
Thermal Overload Unit Assembly with Shunts.....	58X77	58X109	58X207	58X109	58X77	58X109
Toggle Link.....	11X231	11X231	11X231	11X231	11X231	11X231

\* 11X407 Control (equipped with copper oxide resistor) also used.  
 § 58X30 Resistor also used.  
 † Use 11X478 Temperature Adjustment Spring for high altitudes.  
 ‡ Use 11X468 Methyl Chloride Bellows for low temperature applications.

Always Give Catalog Number

# "E" TYPE CONTROL



- 58X77
- 58X109
- 58X207
  
- (11X223
- 58X208
  
- 58X209
  
- 58X28
  
- 11X392
- 58X29
  
- (11X468
- 11X469
- 58X137
- 58X144
- 58X296
  
- 11X226

**N.B.—Special Bridle and Latch Springs 58X28 and 58X29 can be used to replace original springs. To seal controls against dirt and insects, use 58X10 Sealing Bushing.**

	D-30A, DRE-3, D-35A, DR-35A				D-31A DRB-31A	DRB-31B
	110 V., 60 C.	110 V., 25 C.	115 V., D.C.	230 V., D.C.	110 V., 60 C.	110 V., 60 C.
Complete Control.....	11X460	11X461	11X462	11X463	58X11	58X92
Bakelite Control Cover Nut.....	11X392	11X392	11X392	11X392	11X392	11X392
Control Cover.....	58X118	58X118	58X118	58X118	58X118	58X118
Main Contact Tip with Support (Movable).....	58X208	58X208	11X223	11X223	58X208	58X208
Main Contact Tip with Support (Stationary).....	58X209	58X209	58X209	58X209	58X209	58X209
†Metallic Bellows.....	11X469	11X469	11X469	11X469	11X468	58X144
Reset Lever.....	11X226	11X226	11X226	11X226	11X226	11X226
Resistor.....	*None	None	None	None	*None	*None
Sub-base Assembly.....	11X544	11X545	11X546	11X546	11X545	11X544
Temperature Adjustment Knob.....	11X227	11X227	11X227	11X227	11X227	11X227
Temperature Adjustment Spring.....	†11X729	†11X729	†11X729	†11X729	†11X729	†11X232
Thermal Overload Unit Assembly with Shunts.....	58X77	58X77	58X207	58X109	58X77	58X77
Toggle Link.....	11X231	11X231	11X231	11X231	11X231	11X231

	D-30E, D-30F				D-30G, D-30H, D-35B, DR-35B			
	110 V., 60 C.	110 V., 25 C.	115 V., D.C.	230 V., D.C.	110 V., 60 C.	110 V., 25 C.	115 V., D.C.	230 V., D.C.
Complete Control.....	58X92	58X253	M1A6	M1A83	58X93	58X254	58X110	58X255
Bakelite Control Cover Nut.....	11X392	11X392	11X392	11X392	11X392	11X392	11X392	11X392
Control Cover.....	58X118	58X118	58X118	58X118	58X118	58X118	58X118	58X118
Main Contact Tip with Support (Movable).....	58X208	58X208	11X223	11X223	58X208	58X208	11X223	11X223
Main Contact Tip with Support (Stationary).....	58X209	58X209	58X209	58X209	58X209	58X209	58X209	58X209
†Metallic Bellows.....	58X144	58X144	58X144	58X144	58X137	58X137	58X137	58X137
Reset Lever.....	11X226	11X226	11X226	11X226	11X226	11X226	11X226	11X226
Resistor.....	*None	None	None	None	*None	None	None	None
Sub-base Assembly.....	11X544	11X545	11X546	11X546	11X544	11X545	11X546	11X546
Temperature Adjustment Knob.....	11X227	11X227	11X227	11X227	11X227	11X227	11X227	11X227
Temperature Adjustment Spring.....	58X297	58X297	58X297	58X297	†11X232	†11X232	†11X232	†11X232
Thermal Overload Unit Assembly with Shunts.....	58X77	58X77	58X207	58X109	58X77	58X77	58X207	58X109
Toggle Link.....	11X231	11X231	11X231	11X231	11X231	11X231	11X231	11X231

\* Use 11X529 or 58X31 Resistor on 110 V., 50 Cy.  
 † Use 11X478 Temperature Adjustment Spring for high altitudes.  
 ‡ Use 11X468 Methyl Chloride Bellows for low temperature applications.

Always Give Catalog Number

### Controls—Type CR-1057

Control Cat. No.	Application			Replacement Parts					Can Sub- stitute
	Unit	Volts	Cycles	Terminal Screw	Cover With Screws For Terminal	Temp. Knob, Screw and Seal	Temp. Knob Seal	Bellows	
58X25	CA-1A, 2A	110	60	-	-	58X142	58X192	58X224	MIA181
58X58	CA-1A, 2A	110	50	-	-	58X142	58X192	58X224	MIA181
58X117	CA-1B, 2B	110	60	-	-	58X191	58X192	58X225	MIA181
58X120	CA-1B, 2B	110	50	-	-	58X191	58X192	58X225	MIA181
MIA10	CK-30B, 35B	110	50/60	-	-	58X191	58X192	58X252	MIA182
MIA13	CD-1,2,3,11 CM-35	110 125	60 60	-	-	58X142	58X192	58X223	MIA182
MIA14	CB-1,2,3	150	D.C.	-	-	58X142	58X192	58X222	MIA183
MIA15	CM-35	110	50	-	-	58X142	58X192	58X223	MIA182
MIA25	CB-1,2,3 except CB-2D,3D; CM-2L,2M	110 125	30/50/60 50	-	-	58X142	58X192	58X222	MIA182
MIA26	CB-1,2,3	220	40	-	-	58X142	58X192	58X222	MIA182
MIA27	CB-1,2,3,except CB-2D,3D	220/240 220	50 25/60	-	-	58X142	58X192	58X222	MIA182
MIA28	CB-1,2,3	200 110	50 40	-	-	58X142	58X192	58X222	MIA182
MIA30	CB-1,2,3	150 120	60 30	-	-	58X142	58X192	58X222	MIA182
MIA31	CB-1,2,3; CM-2M	110 125	25 60	-	-	58X142	58X192	58X222	MIA182
MIA32	CB-1,2,3	240/250	40	-	-	58X142	58X192	58X222	MIA182
MIA33	CB-1,2,3	240	60	-	-	58X142	58X192	58X222	MIA182
MIA34	CD-1,2,3,11 except CD-1C403	110 100	40/50 50	-	-	58X142	58X192	58X223	MIA182
MIA35	CD-1,2,3,11 CM-35	150 220	50/60 50	-	-	58X142	58X192	58X223	MIA182
MIA36	CD-1,2,3,11	110 125	25 50/60	-	-	58X142	58X192	58X223	MIA182
MIA37	CD-1,2,3,11	220 250 240	25/40/60 40/60 60	-	-	58X142	58X192	58X223	MIA182
MIA38	CD-1,2,3,11	220/250	50	-	-	58X142	58X192	58X223	MIA182
MIA39	CM-35	125 110	50 25/40/60	-	-	58X142	58X192	58X223	MIA182
MIA40	CD-1,2,3,11	200	50	-	-	58X142	58X192	58X223	MIA182
MIA42	CB-1,2,3; CM-1,2 (non-Defr.)	115	D.C.	-	-	58X142	58X192	58X222	MIA183
MIA43	CB-1,2,3; CM-1,2 (non-Defr.)	230	D.C.	-	-	58X142	58X192	58X222	MIA183
MIA44	CM-1,2	32	D.C.	-	-	58X142	58X192	58X222	None
MIA48	CB-1,2,3 except CB-2D,3D;CM-2	115/125	D.C.	-	-	58X142	58X192	58X222	MIA183
MIA49	CB-1,2,3 except CB-2D,3D	230/240	D.C.	-	-	58X142	58X192	58X222	MIA183
MIA50	CB-1,2,3	32	D.C.	-	-	58X142	58X192	58X222	-
MIA51	CD-1,2,3,11	115	D.C.	-	-	58X142	58X192	58X223	MIA183
MIA52	CD-1,2,3,11 except CD-1C402 and CD-2C401	230/250	D.C.	-	-	58X142	58X192	58X223	MIA183
MIA53	CD-1,2,3,11	32	D.C.	-	-	58X142	58X192	58X223	None
MIA54	CM-35	115	D.C.	-	-	58X142	58X192	58X223	MIA183
MIA55	CB-1,2,3; CM-1,2 (non-Defr.)	110	25/40/50/60	-	-	58X142	58X192	58X222	MIA182
MIA56	LK-1A	110	60	-	-	58X142	58X192	58X246	None
MIA58	CD-1,2,3,11	150	D.C.	-	-	58X142	58X192	58X223	MIA183
MIA60	CM-35	115	D.C.	-	-	58X142	58X192	58X251	None
MIA61	CK-1B,2B	110	25/50/60	A20H14	M15A7	58X191	58X192	58X247	MIA181
MIA63	CK-30C, 35C	110	50/60	A20H14	M15A7	58X191	58X192	58X248	MIA182
MIA65	LK-1B, 2A	110	60	A20H5	-	58X142	58X192	M5A13	None
MIA66	CM-35	230	D.C.	-	-	58X142	58X192	58X223	MIA183
MIA67	CM-35	220	60	-	-	58X142	58X192	58X223	MIA182
MIA72	CB-2D, 3D; CM-32, 33, 312	110	30/50/60	-	-	58X142	58X192	58X250	MIA182
MIA73	CM-32A,B,J,K; CM-33A,B,J,L	32	D.C.	-	-	58X142	58X192	58X250	None
MIA74	CB-2D, 3D; CM-32A,B,C,D,E,F,J,K CM-33A,B,C,E,J,K,L; CM-312J,K	115/125	D.C.	-	-	58X142	58X192	58X250	MIA183
MIA75	CM-32, 33 CM-34	110 125	40 60	-	-	58X142	58X192	58X250	MIA182
MIA76	CM-32,33,311	120 110	30 25	-	-	58X142	58X192	58X250	MIA182
MIA77	CB-2D, 3D; CM-32A,B,E,J,K except E416; CM-33A,B,C,E,J,L except E416, L449	230/250	D.C.	-	-	58X142	58X192	58X250	MIA183
MIA78	CF-1B, 1C, 1D, 2B, 2C, 2D CH-1A,CJ-1A	110	25/50/60	A20H14	M15A7	58X142	58X192	58X250	MIA181
*MIA80	CG-1A, 1B	110	50/60	-	-	-	-	M5A12	None
MIA82	CB-2D,3D,CM-32,33	220 230/250	25/40/50/60 50	-	-	58X142	58X192	58X250	MIA182

Always Give Catalog Number

Controls—Type CR-1057 (Cont.)

Control Cat. No.	Application			Replacement Parts					Can Substitute
	Unit	Volts	Cycles	Terminal Screw	Cover With Screws For Terminal	Temp. Knob, Screw and Seal	Temp. Knob Seal	Bellows	
MIA86	CM-34	110	60	-	-	58X142	58X192	58X250	MIA182
MIA87	CM-34	110 120 125	60 30 50	-	-	58X142	58X192	58X250	MIA182
MIA89	CM-32, 33	200	50	-	-	58X142	58X192	58X250	MIA182
MIA90	CM-34	220	25/50/60	-	-	58X142	58X192	58X250	MIA182
MIA91	CM-34	32	D.C.	-	-	58X142	58X192	58X250	None
MIA92	CM-34A, 34C, 34D	115	D.C.	-	-	58X142	58X192	58X250	MIA183
MIA93	CM-32 CM-34	150 230	D.C. D.C.	-	-	58X142	58X192	58X250	MIA183
MIA95	DK-1A	110	50/60	A20H14	-	58X142	58X192	58X250	MIA181
MIA110	CM-32, 33	125	50/60	-	-	58X142	58X192	58X250	MIA182
MIA115	CM-34	110	25/50	-	-	58X142	58X192	58X250	MIA182
MIA118	CD-1C402, 2C401	230/250	D.C.	-	-	58X142	58X192	58X223	MIA183
MIA120	CK-1C, 1D	110	25/50/60	A20H14	M15A7	M15A9	M15A10	M5A3	MIA181
MIA121	CK-2C, 2D, 26, 28	110	25/50/60	A20H14	M15A7	M15A9	M15A10	M5A4	MIA181
MIA122	CK-30D, 30E, 30G, 35D, 35E, 35G, 35H	110	25/50/60	A20H14	M15A7	M15A9	M15A10	58X248	MIA182
MIA124	CD-1C403	110	50	-	-	58X142	58X192	58X223	MIA182
MIA130	CK-15A	110	50/60	A20H14	M15A7	M15A11	M15A12	M5A3	MIA181
MIA150	CM-32, 33	150	50	-	-	58X142	58X192	58X250	MIA182
MIA151	CK-1C, 2C, 30D, 35D	115	D.C.	A20H14	M15A7	M15A9	M15A10	58X248	None
MIA152	CK-1C, 2C, 30D, 35D	230	D.C.	A20H14	M15A7	M15A9	M15A10	58X248	None
MIA155	CE-34M, 340A, 340B, 340C	110	50/60	A20H14	M15A7	M15A9	58X192	M5A16	MIA182
MIA161	CM-32E416, 33E416, 33L449	230	D.C.	-	-	58X142	58X192	58X250	MIA183
MIA163	CF-1E, 1G, 2E, 2G, 28A, 28C; CH-1B, 1C; CJ-1B, 1C; CE-140A, 140B	110	25/50/60	A20H14	M15A7	M15A13	M15A14	58X250	MIA199
MIA164	CB-1, 2, 3	110	60	-	-	58X142	58X192	58X222	MIA182
MIA165	CE-34A, 34B, CF-1F, 2F, 28B	110	60	A20H14	M15A7	M15A13	M15A14	58X250	MIA199
MIA174	CM-34J, K	115	D.C.	-	-	58X142	58X192	58X250	MIA183
MIA180	CF-1H, 2H, 28D; CFS-1A, CH-1D, CJ-1D, CE-140C, FBA-1A, CJ-2A, 2C, 2E	110	25/50/60	A20H14	M15A7	M15A53	M15A30	58X250	MIA199
MIA181	Universal Control			A20H14	M15A7	M15A11	M15A12	M15A64	-
MIA182	Universal Control			A20H14	M15A7	M15A11	M15A12	M15A65	-
MIA183	Universal Control			A20H14	M15A7	M15A11	M15A12	M15A65	-
MIA199	Universal Control			A20H14	M15A7	M15A53	M15A30	58X250	-
**MIA203	CF-11A, 21A, 22B	110	25/50/60	A20H14	M15A7	-	-	58X250	None
**MIA204	CF-22A, CE-34D, 34E	110	25/50/60	A20H14	M15A7	-	-	58X250	None
MIA229	CFS-1B	110	50/60	A20H14	M15A7	M15A53	M15A30	58X250	None
MIA232	CF-25, 2R, 28E; CH-1E, CJ-1E CE-140D	110	25/50/60	A20H14	M15A7	M15A72	NP85329A	58X250	None
MIA233	CJ-2B, 2D	110	50/60	A20H14	M15A7	M15A73	NP85329C	58X250	None
**MIA235	CF-22C	110	50/60	A20H14	M15A7	-	-	58X250	None
MIA236	CM-32L	-	D.C.	A20H14	M15A7	M15A53	M15A30	58X250	None
MIA237	CM-33M, CM33N	-	D.C.	A20H14	M15A7	M15A72	NP85329A	58X250	None
MIA242	CM34L	115/230	D.C.	A20H14	M15A7	M15A61	-	58X250	None
MIA250	CJ2H, CF2M, N; CF28, CE34H, CM33N465	110 115	50/60 60	A20H14	M15A7	M15A84	M15A84	58X250	None
MIA252	CF22G	110	50/60	A20H14	M15A7	M15A86	-	58X250	None
MIA257	CM33P	115/230	D.C.	A20H14	M15A7	M15A72	NP85329A	58X250	None
MIA258	CK2E, CK30H	110	50/60	A20H14	M15A7	M15A9	M15A15	58X247	None
MIA261	FEA1, FEA2	110	50/60	A20H14	M15A7	M15A93	-	M5A4	None

\*The temperature adjusting screw with washer is Catalog No. C20H9.

\*\*The Inner Temperature knob with screw is Catalog No. M15A63.



## TRANSFORMERS

TRANSFORMER MODEL NO.	SUPERSEDES	U S E
9AC26A1	11X244 Y1138 Y1392 Y2008	For operating the following 110 V., 50/60 cycle machines on 220 V., 50/60 cycle power: DR1, DR2, D2, DRA2, DR3, DRB3, DRE3, D30, D34, D35, DR4, DB1, DPI and also all CA, CK, CF, CJ, CH, CE, LK, and DK Machines.  NOTE:- This transformer has a rated input voltage of 240 to 90 volts in 5 volt steps. The rated output voltage is 110 volts.
9AC27A1	11X364 9AC33A1 Y2096 Y2348 Y2351 Y2352	For operating the following 110 V., 60 cycle machines on 220 V., 60 cycle power: D40, DR4, DRA4, DRE4, D44, D46, D48, DR5, D50, D54, D55.  NOTE:- This transformer has a rated input voltage of 240 to 90 volts in 5 volt steps. The rated output voltage is 220/110 volts.
9AC28A1	11X362 Y2357	For operating the following 110 V., 25 cycle machines on 220 V., 25 cycle power: D2, DR2, DRA2, D30, DR3, DRE3, D35, DR4, DRE4, and also all CK and CF Machines.  NOTE:- This transformer has a rated input voltage of 240 to 90 volts in 5 volt steps. The rated output voltage is 110 volts.
*9AC32A1	11X97 Y1126	For operating DR2, 110 V., 60 cycle machines and DR3, 110 V., 40 cycle machines on 110 V., 40 cycle power.
9AC34A1	-	For operating the following 230 V., D.C. machines (with 11X320 Synchronous Converter) on 230 V., D.C. power: D40, DR4, DRA4, DRE4, D46.
9AC35A1	11X448 Y2866	For operating the following 115 V., D.C. machines (with 11X321 Synchronous Converter) on 115 V., D.C. power: DRD4, D48A, D50, D54, D55, DR5.
9AC524A1	-	For operating 110 V., 50 or 60 cycle fan motors on EC Cooling Units on 220 V., 50 or 60 cycle power.
9AC526A1	-	For operating 110 V., 25 cycle fan motors on EC Cooling Units on 220 V., 25 cycle power.
9AM34A1	11X363 Y2398 9AC32A1	For operating the following 110 V., 60 cycle machines on 110 V., 40 cycle power: D2, DR2, DRA2.  NOTE:- This transformer has a rated input voltage of 110 volts and rated output voltage of 97 volts.
9TC260A1	-	For operating DP3A, C and E, 110 V., 60 cycle Water Coolers on 220 V., 50 or 60 cycle power.  NOTE:- This transformer has a rated input voltage of 250/240/230 volts and rated output voltage of 110 volts.
9TY42A1	-	For operating DP3A, C and E, 110 V., 25 cycle Water Coolers on 220 V., 25 cycle power.  NOTE:- This transformer has a rated input voltage of 250/240/230 volts and a rated output voltage of 110 volts.

\*Not Available - Use 9AM34A1

## CAPACITORS

CAPACITOR MODEL NO.	RATING	TYPE OF UNIT USED ON	REPLACED BY
Y-1255	110V-60 cycle	DR3, DRB3, DRE3	9AC20A2
Y-1256	110V-60 "	DR3, DRE3	9AC20A3
Y-1368	110V-25 "	DR2, DRA2	9AC37A1
Y-1369	110V-40 "	D3	9AC23A3
Y-1372	110V-25 "	DRA4, DRE4, D40, D44, D46, DR3, DRB3, DRE3	9AC38A1
Y-1372 B	110V-25 "	D3	9AC38A2
Y-1389	110V-40 "	DR3, DRB3, DRE3	9AC23A1
Y-1731	220V-60 "	D50, D54, D55, DR5	9AC21A1
Y-2029	110V-60 "	D41, D43	9AC25A2
Y-2219	220V-25 "	D54	9AC308A1
Y-2306	110V-50 "	D4	9AC24A2



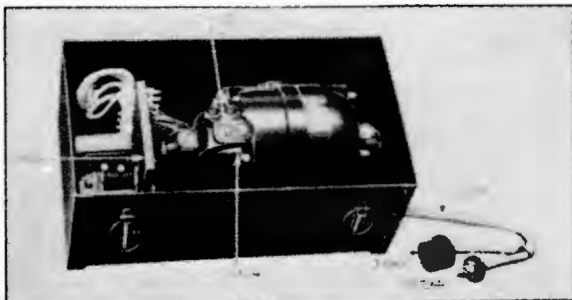
### CAPACITORS (Continued)

CAPACITOR MODEL NO.	RATING	TYPE OF UNIT USED ON	REPLACED BY
Y-2308	110V-50 Cycle	DC4, D44, DR4, D40A, DRA4, DRE4, DRF4, D46	9AC24A1
11X75	110V-25 "	DR2, DRA2	9AC37A1
11X204	110V-25 "	DRA4, DRE4, D40, D44, D46, DR3, DRB3, DRE3	9AC38A1
11X324	110V-60 "	DR3, DRB3, DRE3	9AC20A2
11X325	220V-60 "	D54, D55, D50, DR5	9AC21A1
11X326	220V-60 "	DR5, D60	9AC21A2
11X329	220V-25 "	D54	9AC308A1
11X332	110V-40 "	DR3, DRB3, DRE3	9AC23A1
11X333	110V-50 "	DC4, D44, DR4, D40A, DRA4, DRE4, DRF4, D46	9AC24A1
11X380	110V-60 "	D41, D43	9AC25A2
9AC5A1	110V-25 "	D2, DR2	
9AC8A1	110V-25 "	D30, D35, DRE3, DR35, D3	
9AC13A1	110V-60 "	DC	9AC20F1
9AC13A2	110V-60 "	DC	9AC20F1
9AC13A3	110V-60 "	DC	9AC20F1
9AC20A1	110V-60 "	DR3, DRE3, DRB3	9AC20A2
9AC20A2	110V-60 "	DR3, DRB3, DRE3	9AC20A3
9AC20A3	110V-60 "	DR3, DRB3, DRE3	9AC20F1
9AC20B1	110V-60 "	D30, D35, DR35, DRE3	9AC20B2
9AC20B2	110V-60 "	D30, D35, DR35, DR65, DRE3	9AC20B3
9AC20B3	110V-60 "	D30, D35, DR35, DR65, DRE3	9AC20F1
9AC20C1	110V-60 "	DP3	9AC20C2
9AC20C2	110V-60 "	DP3E, DP3D	9AC20F1
9AC20D1	110V-60 "	D34	9AC20F1
9AC20F1	110V-60 "	DP3E, DP3D, DR3, DR30, DR34, DRE3, D65	
9AC21A1	220V-60 "	D54, D55, D50, DR5	9AC21A2
9AC21A2	220V-60 "	DR5, D60	9AC21F1
9AC21B1	220V-60 "	DRD4, D48	9AC21B2
9AC21B2	220V-60 "	D48	9AC21H1
9AC21C1	220V-60 "	D54	9AC248A1 or 9AC21F1
9AC21D1	220V-60 "	D48	9AC21H1
9AC21E1	220V-60 "	D55	9AC248B1 or 9AC21F1
9AC21F1	220V-60 "	DR5, D54, D55, D60	
9AC21H1	220V-60 "	D48	9AC21F1
9AC23A1	110V-40 "	DR3, DRB3, DRE3	9AC23A2
9AC23A2	110V-40 "	DR3, DRB3, DRE3	9AC23A3
9AC23A3	110V-40 "	D3	
9AC24A1	110V-50 "	DC4, D44, DR4, D40A, DRA4, DRE4, DRF4, D46	9AC24A2
9AC24A2	110V-50 "	D4	9AC319A1
9AC25A1	110V-60 "	D40A, D40, D44, D46, DR4, DRE4, DRA4, DRF4	9AC25A2
9AC25A2	110V-60 "	D41, D43	9AC272D1
9AC25C1	110V-60 "	D44	9AC25C2
9AC25C2	110V-60 "	D44	9AC272A1
9AC27D1	220V-60 "	D40	9AC272D1
9AC30A1	110V-60 "	DP	9AC30A2
9AC30A2	110V-60 "	DP	9AC30A3
9AC30A3	110V-60 "	DP	
9AC37A1	110V-25 "	DR2, DRA2	
9AC38A1	110V-25 "	DRA4, DRE4, D40, D44, D46, DR3, DRB3, DRE3	9AC38A2
9AC38A2	110V-25 "	D3	
9AC38B1	110V-25 "	D3	9AC38B2
9AC38B2	110V-25 "	D3	
9AC66A1	220V-25 "	D54	9AC308A1
9AC178B1	220V-60 "	D54, DE55	9AC178C1
9AC178C1	220V-60 "	D54, DE55	9AC178C2
9AC178C2	220V-60 "	D54, DE55	
9AC179B1	220V-60 "	DE56	9AC179C1
9AC179C1	220V-60 "	DE56	
9AC186A1	220V-60 "	D55	9AC186A2
9AC186A2	220V-60 "	D55	
9AC212G1	110V-60 "	EC20	
9AC214A1	230V-DC	DR3, DRB3, DRE3, D30, D35, DP3	
9AC248A1	220V-60 Cycle	D54	
9AC248B1	220V-60 "	D55	
9AC271A1	110V-25 "	D34	
9AC272A1	110V-60 "	D44	
9AC272D1	110V-60 "	D41, D43	
9AC275A1	110V-25 "	DP3	
9AC308A1	220V-25 "	D54	
9AC319A1	110V-50 "	D4	
9AC345A1	220V-50 "	EC4	
9AC351A1	110V-25 "	EC4	
9CY2F1	110V-50/60"	EC4	
9CY4H1	110V-50/60"	EC9	
9CY8C1	220V-25 "	DE55	
9CY12L1	110V-25 "	EC4, EC9	
5029710AA4	110V-60 "	CE34M, CE34A, CE340A, CK30, CK35	

## ROTARY CONVERTERS

### 11X62 Rotary Converter

(Superseded by 11X444)  
(Model 31122)



For use with DR-2 Form E, DRA-2 and DR-3, 115 volt DC Units on 115 volt DC current.

Shipping Weight: 100 lbs.

Crated Dimensions: 27½ x 16½ x 15 inches.

#### RENEWAL PARTS

9XC25A	Wave Filter
11X76	Capacitor (5 Terminal)
2228837G12	Thermal Cut-out
11X692	Thermal Cut-out Assembly
11X50	Starting Contactor
22D8G3	Operating Coil for Contactor
*11X17	Cable with Plugs
3510315	Bearing Lining
11X114	Carbon Brush (Commutator)
11X113	Carbon Brush (Collector)
1X696	Brush Holder (Commutator)
3511304	Brush Holder (Collector)
1791359G1	Brush Holder Cap (Commutator)
1791359G2	Brush Holder Cap (Collector)
41X172	Field Coils (Set of 2)
31X86	Armature
2068752G3	Commutator
3559511G1	Collector
3512417	Shaft Collar
3534009	Fan
‡3584287G1	End Shield with Fittings (Pulley End)
‡3584277G1	End Shield with Fittings (Commutator End)

\* Has two Plugs—one Male and one Female.

‡ Includes Bearing Lining.

### 11X124 Rotary Converter

(Superseded by 11X445)  
(Model 33226)

For use with DR-2 Form E, DRA-2, DR-3, DRB-3 and DRE-3 (C type control) 230 volts DC Units on 230 volts DC current.

#### RENEWAL PARTS

9XC25A	Wave Filter
11X76	Capacitor (5 Terminal)
2228837G12	Thermal Cut-out
11X692	Thermal Cut-out Assembly
58X131	Starting Contactor
22D8G2	Operating Coil for Contactor
*11X17	Cable with Plugs
9AC214A	Transformer
3510315	Bearing Lining
11X114	Carbon Brush (Commutator)

\* Has two Plugs—one Male and one Female.

### 11X124 RENEWAL PARTS (Cont.)

11X113	Carbon Brush (Collector)
1X696	Brush Holder (Commutator)
3511304	Brush Holder (Collector)
1791359G1	Brush Holder Cap (Commutator)
1791359G2	Brush Holder Cap (Collector)
41X233	Field Coils (Set of 2)
41X283	Armature
2068752G3	Commutator
3559511G1	Collector
3512417	Shaft Collar
3534009	Fan
‡3584287G1	End Shield with Fittings (Pulley End)
‡3584277G1	End Shield with Fittings (Commutator End)

‡ Includes Bearing Lining.

### 11X245 Rotary Converter

(Superseded by 11X446)  
(Model 31122)

For use with DB-1, DP-1, DR-1, DR-2 Form F, DRE-3 and DP-3, 115 volt DC Units on 115 volt DC current.

Shipping Weight: 86 lbs.

Crated Dimensions: 12 x 14 x 24 inches.

#### RENEWAL PARTS

9XC25A	Wave Filter
11X76	Capacitor (5 Terminal)
2228837G12	Thermal Cut-out
11X692	Thermal Cut-out Assembly
11X50	Starting Contactor
22D8G3	Operating Coil for Contactor
11X530	Cable with Male Plug
3510315	Bearing Lining
11X114	Carbon Brush (Commutator)
11X113	Carbon Brush (Collector)
1X696	Brush Holder (Commutator)
3511304	Brush Holder (Collector)
1791359G1	Brush Holder Cap (Commutator)
1791359G2	Brush Holder Cap (Collector)
41X172	Field Coils (Set of 2)
31X86	Armature
2068752G3	Commutator
3559511G1	Collector
3512417	Shaft Collar
3534009	Fan
‡3584287G1	End Shield with Fittings (Pulley End)
‡3584277G1	End Shield with Fittings (Commutator End)

‡ Includes Bearing Lining.

### 11X356 Rotary Converter

(Superseded by 11X447)  
(Model 33226)

For use with DB-1, DP-1, DR-1, DR-2 Form F, DR-3 and DP-3, 230 volt DC Units on 230 volt DC current.

Shipping Weight: 172 lbs.

Crated Dimensions: 19 x 17 x 34 inches.

#### RENEWAL PARTS

9XC25A	Wave Filter
11X76	Capacitor (5 Terminal)
2228837G12	Thermal Cut-out
11X692	Thermal Cut-out Assembly
58X131	Starting Contactor
22D8G2	Operating Coil for Contactor
11X530	Cable with Male Plug
9AC214A	Transformer

Always Give Catalog Number

# ROTARY CONVERTERS

## 11X356 Rotary Converter (Cont.)

3510315	Bearing Lining
11X114	Carbon Brush (Commutator)
11X113	Carbon Brush (Collector)
1X696	Brush Holder (Commutator)
3511304	Brush Holder (Collector)
1791359G1	Brush Holder Cap (Commutator)
1791359G2	Brush Holder Cap (Collector)
41X233	Field Coil (Set of 2)
41X283	Armature
2068752G3	Commutator
3559511G1	Collector
3512417	Shaft Collar
3534009	Fan
‡3584287G1	End Shield with Fittings (Pulley End)
‡3584277G1	End Shield with Fittings (Commutator End)

‡ Includes Bearing Lining.

## 11X444 Rotary Converter

(Supersedes 11X62)

(Model 31122, 35650, 5H54A1, 5H54A10)

For use with DR-2 Form E, DRA-2, DR-3, DRB-3, and DRE-3 (C type control) 115 volt DC Units on 115 volt DC current.

Shipping Weight: 140 lbs.  
Crated Dimensions: 17 x 19 x 34 inches.

### RENEWAL PARTS

Name of Part	Model			
	31122	35650	5H54A1	5H54A10
Wave Filter	9XC25A	9XC25A	9XC25A	9XC25A
Capacitor (5 Terminal)	11X76	11X76	11X76	11X76
Thermal Cut-out	2228837G12	2228837G12	2228837G12	2228837G12
Thermal Cut-out Assem.	11X693	11X693	11X693	58X130
Starting Contactor	11X50	11X50	11X50	11X50
Operating Coil for Contactor	22D8G3	22D8G3	22D8G3	22D8G3
Cable with Plugs	*11X17	*11X17	*11X17	*11X17
Bearing Lining	3510315	3510315	3510315	3510315
Carbon Brush (Commutator)	11X114	11X114	11X114	11X114
Carbon Brush (Collector)	11X113	11X113	11X113	11X113
Brush Holder (Commutator)	1X696	1X696	1X696	1X696
Brush Holder (Collector)	3511304	3511304	3511304	3511304
Brush Holder Cap (Commutator)	1791359G1	1791359G1	1791359G1	1791359G1
Brush Holder Cap (Collector)	1791359G2	1791359G2	1791359G2	1791359G2
Field Coils (Set of 2)	41X172	41X172	41X172	41X172
Armature	31X86	4282605G1	4282605G1	4282605G1
Commutator	2068752G3	2068752G3	2068752G3	2068752G3
Collector	3559511G1	3559511G1	3559511G1	3559511G1
Shaft Collar	3512417	3512417	3512417	3512417
Fan	3534009	3535523G2	3535523G2	3535523G2
End Shield with Fitting (Pulley End)	‡3584287G1	‡3563617G1	‡3563617G1	‡3563617G1
End Shield with Fitting (Commutator End)	‡3584277G1	‡3584277G1	‡3584277G1	‡3584277G1

\* Has two Plugs—one Male and one Female.

‡ Includes Bearing Lining.

## 11X445 Rotary Converter

(Supersedes 11X124)

(Model 33226, 37582, 5H54A2, 5H54A6)

For use with DR-2 Form E, DRA-2, DR-3, DRB-3, and DRE-3 (C type control) 230 volt DC Units on 230 volt DC current.

Shipping Weight: 172 lbs.  
Crated Dimensions: 17 x 19 x 34 inches.

### RENEWAL PARTS

Name of Part	Model			
	33226	37582	5H54A2	5H54A6
Wave Filter	9XC25A	9XC25A	9XC25A	9XC25A
Capacitor (5 Terminal)	11X76	11X76	11X76	11X76
Thermal Cut-out	2228837G12	2228837G12	2228837G12	2228837G12
Thermal Cut-out Assem.	11X693	11X693	11X693	58X130
Starting Contactor	58X132	58X132	58X132	11X543
Operating Coil for Contactor	22D8G2	22D8G2	22D8G2	22D8G2
Cable with Plugs	*11X17	*11X17	*11X17	*11X17
Transformer	9AC214A	9AC214A	9AC214A	9AC214A
Bearing Lining	3510315	3510315	3510315	3510315
Carbon Brush (Commutator)	11X114	11X114	11X114	11X114
Carbon Brush (Collector)	11X113	11X113	11X113	11X113
Brush Holder (Commutator)	1X696	1X696	1X696	1X696
Brush Holder (Collector)	3511304	3511304	3511304	3511304
Brush Holder Cap (Commutator)	1791359G1	1791359G1	1791359G1	1791359G1
Brush Holder Cap (Collector)	1791359G2	1791359G2	1791359G2	1791359G2
Field Coils (Set of 2)	41X233	41X233	41X233	41X233
Armature	41X283	4282637G1	4282637G1	4282637G1
Commutator	2068752G3	2068752G3	2068752G3	2068752G3
Collector	3559511G1	3559511G1	3559511G1	3559511G1
Shaft Collar	3512417	3512417	3512417	3512417
Fan	3534009	3535523G2	3535523G2	3535523G2
End Shield with Fittings (Pulley End)	‡3584287G1	‡3563617G1	‡3563617G1	‡3563617G1
End Shield with Fittings (Commutator End)	‡3584277G1	‡3584277G1	‡3584277G1	‡3584277G1

\* Has two Plugs—one Male and one Female.

‡ Includes Bearing Lining.

## 11X446 Rotary Converter

(Supersedes 11X245)

(Model 31122, 35650, 5H54A1, 5H54A9)

For use with CK, D-2, D-30, D-35, DB-1, DP-1, DR-1, DR-2 Form F, DRE-3, DP-3, DC-3 and DR-35, 115 volt DC Units on 115 volt DC current.

Shipping Weight: 140 lbs.  
Crated Dimensions: 17 x 19 x 34 inches.

### RENEWAL PARTS

Name of Part	Model			
	31122	35650	5H54A1	5H54A9
Wave Filter	9XC25A	9XC25A	9XC25A	9XC25A
Capacitor (5 Terminal)	11X76	11X76	11X76	11X76
Thermal Cut-out	2228837G12	2228837G12	2228837G12	2228837G12
Thermal Cut-out Assem.	11X693	11X693	11X693	58X130
Starting Contactor	11X50	11X50	11X50	11X50

Always Give Catalog Number

# ROTARY CONVERTERS

## 11X446 Rotary Converter (Cont.)



### 11X446 RENEWAL PARTS (Cont.)

Name of Part	Model			
	31122	35650	5H54A1	5H54A9
Operating Coil for Contactor.....	22D8G3	22D8G3	22D8G3	22D8G3
Cable with Male Plug..	11X530	11X530	11X530	11X530
Bearing Lining.....	3510315	3510315	3510315	3510315
Carbon Brush (Commutator).....	11X114	11X114	11X114	11X114
Carbon Brush (Collector)	11X113	11X113	11X113	11X113
Brush Holder (Commutator).....	1X696	1X696	1X696	1X696
Brush Holder (Collector)	3511304	3511304	3511304	3511304
Brush Holder Cap (Commutator).....	1791359G1	1791359G1	1791359G1	1791359G1
Brush Holder Cap (Collector).....	1791359G2	1791359G2	1791359G2	1791359G2
Field Coils (Set of 2)...	41X172	41X172	41X172	41X172
Armature.....	31X86	4282605G1	4282605G1	4282605G1
Commutator.....	2068752G3	2068752G3	2068752G3	2068752G3
Collector.....	3559511G1	3559511G1	3559511G1	3559511G1
Shaft Collar.....	3512417	3512417	3512417	3512417
Fan.....	3534009	3535523G2	3535523G2	3535523G2
End Shield with Fitting (Pulley End).....	‡3584287G1	‡3563617G1	‡3563617G1	‡3563617G1
End Shield with Fitting (Commutator End)...	‡3584277G1	‡3584277G1	‡3584277G1	‡3584277G1

‡ Includes Bearing Lining.

## 11X447 Rotary Converter

(Supersedes 11X356)

(Model 33226, 37582, 5H54A2, 5H54A7)

For use with CK, D-2, D-30, D-35, DB-1, DR-1, DP-1, DR-2 Form F, DRE-3, DP-3, DC-3 and DR-35, 230 volt DC Units on 230 volt DC current.

Shipping Weight: 172 lbs.

Crated Dimensions: 17 x 19 x 34 inches.

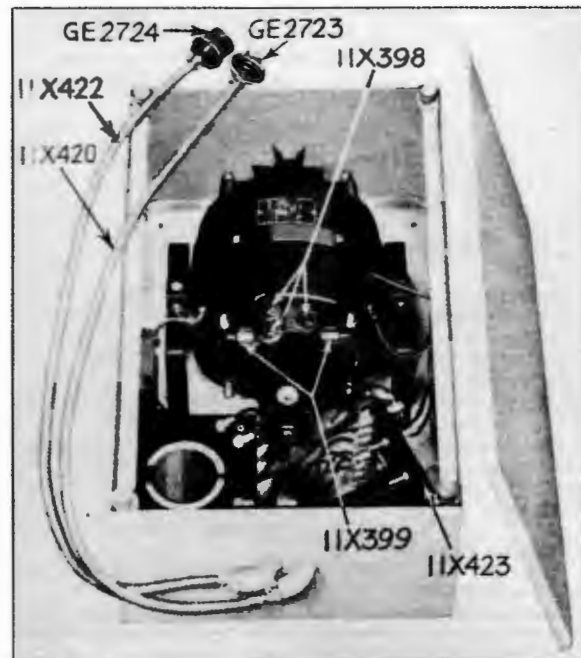
Always Give Catalog Number

## 11X447 RENEWAL PARTS

Name of Part	Model			
	33226	37582	5H54A2	5H54A7
Wave Filter.....	9XC25A	9XC25A	9XC25A	9XC25A
Capacitor (5 Terminal)...	11X76	11X76	11X76	11X76
Thermal Cut-out.....	2228837G12	2228837G12	2228837G12	2228837G12
Thermal Cut-out Assem.	11X693	11X693	11X693	58X130
Starting Contactor.....	58X132	58X132	58X132	11X543
Operating Coil for Contactor.....	22D8G2	22D8G2	22D8G2	22D8G2
Cable with Male Plug..	11X530	11X530	11X530	11X530
Transformer.....	9AC214A	9AC214A	9AC214A	9AC214A
Bearing Lining.....	3510315	3510315	3510315	3510315
Carbon Brush (Commutator).....	11X114	11X114	11X114	11X114
Carbon Brush (Collector)	11X113	11X113	11X113	11X113
Brush Holder (Commutator).....	1X696	1X696	1X696	1X696
Brush Holder (Collector)	3511304	3511304	3511304	3511304
Brush Holder Cap (Commutator).....	1791359G1	1791359G1	1791359G1	1791359G1
Brush Holder Cap (Collector).....	1791359G2	1791359G2	1791359G2	1791359G2
Field Coils (Set of 2)...	41X233	41X233	41X233	41X233
Armature.....	41X283	4282637G1	4282637G1	4282637G1
Commutator.....	2068752G3	2068752G3	2068752G3	2068752G3
Collector.....	3559511G1	3559511G1	3559511G1	3559511G1
Shaft Collar.....	3512417	3512417	3512417	3512417
Fan.....	3534009	3535523G2	3535523G2	3535523G2
End Shield with Fitting (Pulley End).....	‡3584287G1	‡3563617G1	‡3563617G1	‡3563617G1
End Shield with Fitting (Commutator End)...	‡3584277G1	‡3584277G1	‡3584277G1	‡3584277G1

‡ Includes Bearing Lining.

## 11X320 Rotary Converter (Model 34887, 5H74A1, 5H74A3, 5H74A7)



## ROTARY CONVERTERS

### 11X320 Rotary Converter (Cont.)

For use with DR-4, DR-5, DRD-4, DRA-4, DRE-4, DRF-4, D-40, D-44, D-46, D-48, D-50, D-54 and D-55, 230 volt DC Units on 230 volt DC current.

Shipping Weight: 183 lbs.  
Crated Dimensions: 34½ x 24½ x 19¾ inches.

#### RENEWAL PARTS

Name of Part	Model			
	34887	5H74A1	5H74A3	5H74A7
Wave Filter	58X129	58X129	9XD30A	9XD30A
Capacitor (5 Terminal)	11X76	11X76	11X76	11X76
Starting Contactor	11X423	11X423	11X423	11X423
Operating Coil for Contactor	22D8G2	22D8G2	22D8G2	22D8G2
Cable with Male Plug	11X420	11X420	11X420	58X133
Cable with Female Plug	58X134	58X134	58X134	58X135
Fuse Block	34367	34367	34367	34367
Capacitor (3 Leads)	58X136	58X136	58X136	58X136
Bearing Lining	1782031	1782031	1782031	1782031
Carbon Brush (Commutator)	11X399	11X399	11X399	11X399
Carbon Brush (Collector)	11X398	11X398	11X398	11X398
Brush Holder (Commutator)	3X327	3X327	3X327	3X327
Brush Holder (Collector)	3510911	3510911	3510911	3510911
Brush Holder Cap (Commutator)	1791362G1	1791362G1	1791362G1	1791362G1
Brush Holder Cap (Collector)	1791359G1	1791359G1	1791359G1	1791359G1
Field Coils (Set of 2)	41X256	41X256	63X67	63X67
Armature	4282638G1	4282638G1	4282638G1	4282638G1
Commutator	1734609G10	1734609G10	1734609G10	1734609G10
Collector	2068873G2	2068873G2	2068873G2	2068873G2
Shaft Collar	3513377	3513377	3513377	3513377
Fan	3535523G1	3535523G1	3535523G1	3535523G1
End Shield with Fittings (Pulley End)	‡3584856G1	‡3584856G1	‡3584856G1	‡3584856G1
End Shield with Fittings (Commutator End)	‡3584851G1	‡3584851G1	‡3584851G1	‡4260799G1

‡ Includes Bearing Lining.

### 11X321 Rotary Converter

(Model 34888, 5H74A2, 5H74A4, 5H74A6)

For use with DR-4, DR-5, DRD-4, DRA-4, DRE-4, DRF-4, D-40, D-44, D-46, D-48, D-50, D-54, D-55, 115 volt DC Units on 115 volt DC current.

Shipping Weight: 183 lbs.  
Crated Dimensions: 34½ x 24½ x 19¾ inches.

#### RENEWAL PARTS

Name of Part	Model			
	34888	5H74A2	5H74A4	5H74A6
Wave Filter	58X129	58X129	9XD30A	9XD30A
Capacitor (5 Terminal)	11X76	11X76	11X76	11X76
Starting Contactor	11X424	11X424	11X424	11X424
Operating Coil for Contactor	22D8G3	22D8G3	22D8G3	22D8G3
Cable with Male Plug	11X421	11X421	11X421	11X421
Cable with Female Plug	11X422	11X422	11X422	11X422
Fuse Block	34367	34367	34367	34367
Capacitor (3 Leads)	58X136	58X136	58X136	58X136
Bearing Lining	1782031	1782031	1782031	1782031
Carbon Brush (Commutator)	11X399	11X399	11X399	11X399
Carbon Brush (Collector)	11X398	11X398	11X398	11X398
Brush Holder (Commutator)	3X327	3X327	3X327	3X327
Brush Holder (Collector)	3510911	3510911	3510911	3510911
Brush Holder Cap (Commutator)	1791362G1	1791362G1	1791362G1	1791362G1
Brush Holder Cap (Collector)	1791359G1	1791359G1	1791359G1	1791359G1
Field Coils (Set of 2)	41X257	41X257	63X68	63X68
Armature	4282641G1	4282641G1	4282641G1	4282641G1
Commutator	1734609G6	1734609G6	1734609G6	1734609G6
Collector	2068873G2	2068873G2	2068873G2	2068873G2
Shaft Collar	3513377	3513377	3513377	3513377
Fan	3535523G1	3535523G1	3535523G1	3535523G1
End Shield with Fittings (Pulley End)	‡3584856G1	‡3584856G1	‡3584856G1	‡3584856G1
End Shield with Fittings (Commutator End)	‡3584851G1	‡3584851G1	‡3584851G1	‡4260799G1

‡ Includes Bearing Lining.

### 11X141 DC-AC Adapter



To adapt DR-2 Form E, DRA-2, and DR-3, 115 volt Direct Current Units for operation on 110 volt 60 cycle current.

Shipping Weight: 30 lbs.  
Crated Dimensions: 10 x 13 x 13 inches.

Always Give Catalog Number

### 11X528 DC-AC Adapter

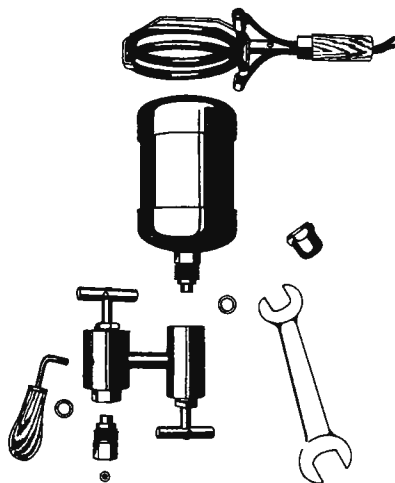
To adapt CK, D-2, D-30, D-35, DB-1, DP-1, DR-1, DR-2, Form F, and DRE-3, 115 volt Direct Current Units for operation on 110 volt 60 cycle current.

Shipping Weight: 30 lbs.  
Crated Dimensions: 10 x 13 x 13 inches.



## INSTALLATION AND SERVICE MATERIAL

### 11X764 MONITOR TEST KIT

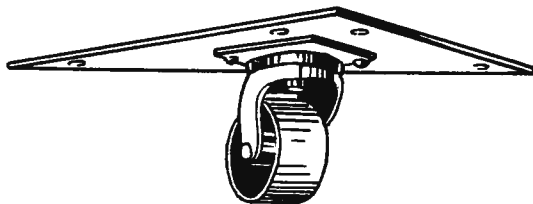


For use with Monitor Top household and commercial type refrigerating machines.

- 11X765 Monitor Adapter
- \*A18X9 Bristo Adapter for Slotted Purging Screw
- \*A18X10 Splined Stem
- \*A18X11 Screw Driver Stem
- \*A20A20 Packing for Stems
- 11X766 500-Watt Heater (110 V.)
- 11X767 Open End Wrench
- 11X768 Lead Washer (100 in Kit)
- 11X122 Bristo Spline Purging Wrench
- \*\*11X935 Bottle Adapter for Hermetic-sealed Commercial Condensing Units (Remote Type)
- \*\*11X936 Copper Washer for 11X935 Adapter
- \*\*11X762 Refrigerant, 1-3/4 lbs. SO<sub>2</sub>
- \*\*58X267 Monitor Test Adapter Purging Connection
- \*\*58X311 Refrigerant 1/2 lb. Methyl Formate
- \*\*A18H12 Special Circular Wrench to be used with adapter on CA Form A Machines.

\*Renewal Parts for 11X765 Adapter  
\*\*Not included with Kit.

### 11X428 CASTER



For use on all household type cabinets except those equipped with foot pedal door openers. Casters are complete with attaching plate. Handy for apartments and installations where head room is limited.

### 58X36 FLOAT VALVE LIFTER

For releasing stuck float valves on DR, CM, and CB refrigerating machines.

#### RENEWAL PARTS

- 58X37 Operating Coil
- 58X38 Copper Oxide Rectifier
- 58X39 Push Button

### 58X75 FLOAT VALVE LIFTER

For releasing stuck float valves on CA type refrigerating machines.

#### \*PARTS FOR 11X990 LIFTER

- 11X991 Resistor Adapter
- 11X998 Coil
- 11X999 Resistor

\* Complete Lifter no longer available

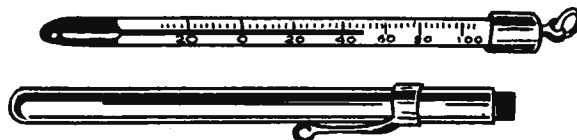
### 11X123 LEAD CONTROL SEAL

Wire and lead seal to prevent removal of control panel cover and tampering with control parts. Use of these seals is rigorously endorsed.

### 11X150 BROOKS MIDGET SEALING PLIERS

For compressing 11X123 Lead Control Seals. Available with either blank or initialed die.

### 11X67 POCKET THERMOMETER



A thoroughly reliable and tested pocket thermometer for use by both product man and salesman. Thermometer refills, Cat. A18X41, (less case and screw cap) are available.

### 11X195 SHELF ADJUSTING TOOL

Very useful in bending adjustable ends of shelves to secure the proper alignment in the refrigerator cabinet.

### EVAPORATOR BEAD PROTECTORS

Aluminum protectors to be placed over evaporator bead to eliminate chipping. Also used to cover slight chips on the bead to prevent rusting. Aluminum bead protectors are available in two sizes:

- 58X83 Bead Protector for DR-2 Form F and D-2
- A18X29 Bead Protector for DR-1 Form B and D15

Always Give Catalog Number

**REPLACEMENT SHELF SUPPORT**

We have available under Catalog No. H20H13 a replacement shelf support and screw with toggle joint. This screw is inserted into the hole in the inner liner and the toggle joint prevents it from pulling out when the shelf support is tightened. This was originally made for the LK-1 and 2 Refrigerators.

The screw only with toggle joint is also available under Catalog No. H20A365. This screw can be used to replace the standard shelf support screw, Cat. No. H12A2. It is used in cabinets built since 1934.

**11X184 HORN'S PORCELAIN PATCH**

A porcelain patching kit containing two shades of white which permits a perfect match with the patched surface,

**58X85 PORCELAIN TOUCH-UP KIT**

For touching up exterior surfaces of porcelain finished refrigerators.

- 58X86 Bottle 20X105 Material
- 58X87 Bottle Acetone
- 58X88 Bottle Thinner
- 58X89 Tinting Material
- Touch-up Brush
- Emery Paper

**11X442 LACQUER TOUCH-UP KIT**

An improved kit containing two shades of white to facilitate perfect matching. Kit contains camel's hair brush, and roughing paper as well as lacquer and thinner.

**H20X6 SERVICE CLIP ASSEMBLY**

Furnished with KF-12 and KF-15 refrigerators to permit servicing the unit without moving the cabinet.

**H20A97 EXPANDING PLIERS**

Handy for removing or installing screwless door or door jamb strips on K-12, KF-12, K-15, KF-15 Cabinets

**A18X37 LIFTING HANDLE**

To aid in installing or removing CG-1 Units.

**H5X20 KIMSUL INSULATION**

Furnished in rolls 18 ft. long, 40 in. wide and 3-1/2 in. thick. Ideal for re-insulating household cabinets. Order by Cat. No. H5X20.

**58X69 GLYPTAL TOUCH-UP KIT**

For touching up exterior surfaces of glyptal finished refrigerators.

- 58X70 Bottle Glyptal Lacquer
- 58X71 Bottle Thinner
- 58X72 Bottle Naphtha
- 58X73 Touch-up Brush
- Emery Paper

**11X682 RAYON TAPE**

Rayon Tape for sealing evaporator joints. Approximately 100 yards of tape to the spool.

**H20X97 NO-OXIDE CLOTH**

For wrapping or sealing refrigerator cabinet insulation. Standard width of No-Oxide Cloth - 1 yard. Can be ordered in any length desired. Cat. No. H20X97 covers one sq. yd.

**GE-5287 FLUSHING COMPOUND**

A flushing compound for use on the inside of the outer cabinet case and on the outside of the inner liner to prevent rusting. Available in one-gallon cans only.

**11X384 COLLAPSIBLE LIFTER**

**RENEWAL PARTS**

CAT. NO.	DESCRIPTION
11X385	Cable for 11X384 Lifter
11X386	Front Caster for 11X384 Lifter
11X387	Rear Caster for 11X384 Lifter
11X388	Tire for 11X386 Caster
11X389	Tire for 11X387 Caster
11X390	Crank Handle for 11X384 Lifter
11X391	Strap for 11X384 Lifter
11X642	Pin (Supporting) for Mast of 11X384 Lifter
58X32	Lifting Hook with Nut for CA Units
58X111	Thrust Washer (Set)
58X159	Ball Bearing (1/4") for 11X387 Caster
58X161	Mast Tube with Pin (Center Section)
58X162	Shaft for Pulleys
58X163	Washer for Rear Caster
58X164	Nut for Lifting Hook
58X165	Stud for Fastening Rear Caster to Frame
58X166	Cable Guard
58X167	Lower Pin
58X168	Worm Gear
58X169	Faceplate for Front Caster
58X170	Front Axle
58X171	Cable Drum
58X172	Bearing for 11X386 Caster
58X173	Worm Gear
58X174	Pin for 11X390 Handle

**\* 11X240 COMMERCIAL PORTABLE LIFTER**

**RENEWAL PARTS**

CAT. NO.	DESCRIPTION
11X359	Cable for 11X240 Lifter
11X371	Front Caster for 11X240 Lifter
11X373	Rear Caster for 11X240 Lifter
11X374	Riding Caster for 11X240 Lifter
11X433	Hook for 11X240 Lifter
A20A21	Pulley for Upper Part of Hoist
A20A22	Shaft for Upper Part of Hoist

\*Complete Lifter no longer available

Always Give Catalog Number



**\*11X52 LIFTING DOLLY**

Rubber tired dolly for moving leg type household refrigerators.

**RENEWAL PARTS**

<u>CAT. NO.</u>	<u>DESCRIPTION</u>
11X210	Caster for 11X52 Dolly
11X342	Crank for 11X52 Dolly
11X365	Tire for Caster of 11X52 Dolly

\* Complete Dolly no longer available

**MISCELLANEOUS LIFTER AND CARRIER PARTS**

<u>CAT. NO.</u>	<u>DESCRIPTION</u>
11X125	Cable for Lifter (Lewis Shephard and Short Masted, Schenectady)
11X159	Crank Assembly for Lewis Shephard Lifting Dolly
11X161	Crank Assembly for Lewis Shephard Portable Lifter
11X163	Cable Drum for Lewis Shephard Portable Lifter
11X164	Worm Gear for Lewis Shephard Portable Lifter
11X211	Cable with Hook for Fort Wayne Portable Lifter
11X212	Front Caster for Fort Wayne Portable Lifter
11X213	Middle Caster for Fort Wayne Portable Lifter
11X214	Rear Caster for Fort Wayne Portable Lifter
11X215	Cable with Hook for Long Masted Schenectady Lifter
11X360	Cable Clamp for Schenectady Lifter
11X375	Caster for Domestic Unit Carrier
11X376	Caster for Commercial Unit Carrier
11X645	Front Caster for 11X61 and 11X209
11X683	Caster Socket for Unit Carrier (All types)
58X160	Lifter Hooks for Old Style Lifters

**H20A134 ADAPTER PANEL ASSEMBLY**

For installing CK-2 Units in P-55E, PS-62, PS-65 and P-67E Cabinets as manufactured by General Electric Company.

**RENEWAL PARTS**

<u>CAT. NO.</u>	<u>DESCRIPTION</u>
H20A135	Panel Only
H13A109	Sponge Rubber Gasket
H13A116	Unit Gasket

**H4A37 ADAPTER PANEL ASSEMBLY**

For installing CK-2 Units in five and six cubic foot Vendor Cabinets.

**RENEWAL PARTS**

<u>CAT. NO.</u>	<u>DESCRIPTION</u>
H4A38	Panel Only
H13A159	Sponge Rubber Gasket
H13A116	Unit Gasket

**C10X1 PRESSURE GAUGE**

A pressure gauge designed especially for refrigeration use. Gauge has 2-1/2" dial calibrated with 5-pound graduations and figured every 25 pounds. Black finish case with unbreakable crystal. Range 0 to 300 pounds. 1/8" male connection. Corresponding temperatures of F-12 and S0<sub>2</sub> indicated on dial.

**C10X2 COMPOUND GAUGE**

An exceptionally efficient gauge reading from 30 inches vacuum to 50 pounds pressure. Gauge has 2-1/2" dial calibrated every 1 inch vacuum and every 1 pound pressure. Dial figured every 10 inches vacuum and every 10 pounds pressure. Black finish case with unbreakable crystal. 1/8" male connection. Corresponding temperatures of F-12 and S0<sub>2</sub> indicated on dial.

**H20A176 PARTS FOR INSTALLING CF-1 UNIT IN F-4 CABINET**

**PARTS INCLUDED**

<u>CAT. NO.</u>	<u>DESCRIPTION</u>
H17A72	Shelf - off set - Top
69X893	Screw for Condenser and Outer Case
H12X2	Screw for Inner Liner Cover
261646	Screw for Condenser and Base, or Compressor Foot and Base
177811	Nut for Screw Cat. 261646
H20A13	Clip for Skirt and Base
165736	Steel Washer (5/8 in. O.D.) for Screw 69X893
1440873	Steel Washer (7/8 in. O.D.) for Screw 261646
498560	Steel Washer (5/8 in. O.D.) for Screw 261646
H20A74	Fibre Washer for Screw Cat. H12X2
H20A75	Rubber Washer for Screw Cat. H12X2
H11A49	Tapping Strip for Inner Liner Cover Screw
H20A110	Rubber Plug for Inner Liner Cover
-	Insulation, Top (Bag)

**H20A177 PARTS FOR INSTALLING CF-1 UNIT IN F-5 CABINET**

**PARTS INCLUDED**

<u>CAT. NO.</u>	<u>DESCRIPTION</u>
H27A38	Base Angle (Rear) for Cabinet and Refrigerating Machine
H20A128	Two Adapter Plates
H17A73	Shelf - off set - (Top)
69X893	Screw for Condenser and Outer Case
H12X2	Screw for Inner Liner Cover
261646	Screw for Skirt Clip, or Compressor Bracket and Base
153609	Screw for Condenser and Base
177811	Nut for Cap Screw Cat. 261646, or 153609
H20A13	Clip for Skirt and Base
165736	Steel Washer (5/8" O.D.) for Screw Cat. 69X893
1440873	Steel Washer (7/8" O.D.) for Screw Cat. 261646 or 153609
498560	Steel washer (5/8" O.D.) for Screw Cat. 261646
H20A74	Fibre Washer for Screw, Cat. H12X2
H20A75	Rubber Washer for Screw Cat. H12X2
H11A49	Tapping Strip for Inner Liner Cover Screw
H20A110	Rubber Plug for Inner Liner Cover
-	Insulation, Top (Bag)

**H20A178 PARTS FOR INSTALLING \*CF-2 UNIT IN F-7 CABINET**

**PARTS INCLUDED**

<u>CAT. NO.</u>	<u>DESCRIPTION</u>
H27A37	Base Angle (Rear) for Cabinet and Refrigerating Machine
H17A70	Shelf - off set - Top
69X893	Screw for Condenser and Outer Case
H12X2	Screw for Inner Liner Cover
261646	Screw for Skirt Clip, or Compressor Bracket and Base
153609	Screw for Condenser and Base

H20A178 PARTS FOR INSTALLING \*CF-2 UNIT IN F-7 CABINET (CONTINUED)

PARTS INCLUDED

CAT. NO.	DESCRIPTION	CAT. NO.	DESCRIPTION
177811	Nut for Cap Screw Cat. 261646 or Cat. 153609	H20A74	Fibre Washer for Cat. H12X2 Screw
H20A13	Clip for Skirt and Base	H20A75	Rubber Washer for Cat. H12X2 Screw
165736	Steel Washer (5/8" O.D.) for Screw Cat. 69X893	H11A49	Tapping Strip for Inner Liner Cover Screw
1440873	Steel Washer, (7/8" O.D.) for Screw 261646 or 153609	H20A110	Rubber Plug for Inner Liner Cover
498560	Steel Washer (5/8" O.D.) for Screw Cat. 261646	-	Insulation, Top (Bag)

\* Note:- When installing a CF-2D, E or G Unit in F-7 Cabinet, a Cat. C20H59 Bracket for the Compressor is also required.

A18H6 TOOL KIT

\*To install or remove CF type Units

CAT. NO.	DESCRIPTION	CAT. NO.	DESCRIPTION
A18H7	Canvas Bag	A20H7	Screw Holder
A18H9	Lifting Bar for Compressor Unit	A20H8	Pair (2) Supporting Brackets
A18H10	Lifting Handle for Evaporator Top Plate	A18H11	Parts to Adapt A20H8 for CF, Form C Units

A18H8 Socket Wrench available but not furnished with Kit.

The A20H8 pair (2) supporting brackets have following parts assembled.

30522	Screws (5/16"-18 x 1/2") (4)	104324	Washers (2)
H18A22	Washers (4)	143510	Screws (5/16"-18 x 5/8") (2)
A20H10	Pins (2)	126869	Nuts (5/16"-18) (2)
15519	Cotter Pins (3/32" x 3/4") (2)	154195	Lockwashers (5/16") (2)
A20H16	U-Strap with Gasket and Washer (2)		

\*To install CH-1 units use A18H6 Kit with new type supporting brackets Catalog No. A20H17 (Right hand) and Catalog No. A20H18 (Left hand).

\*To install CJ-1 units use A18H6 Kit with an extension bar Catalog No. A20H19 added To each of the supporting brackets of the A18H6 Kit.

\*To install CJ-2 units use A18H6 Kit with extension bar, Cat. No. A20H21, added to each of the supporting brackets of the A18H6 Kit.

\*To install FBA-1A units use A18H6 Kit with an extension bar Catalog No. A20H19 added to each of the supporting brackets and Catalog No. A20H20 shipping frame used to connect the evaporator to supporting arms.

REMOVABLE SHAFT SEAL ASSEMBLIES  
ASSEMBLIES

TYPE OF UNIT	CAT. NO.	TYPE OF UNIT	CAT. NO.
CM-3 - Model A . . . . .	C16A153	CB with Compressor C21A1 . . . . .	C16A137
CM-3 - Model B, CD, CB with Compressors C21A6 or C21A22 . . . . .	C16A134	CM-1 and CM-2 . . . . .	C16A159

RENEWAL PARTS

NAME OF PART	C16A134 ASSEMBLY	C16A137 ASSEMBLY	C16A153 ASSEMBLY	C16A159 ASSEMBLY
Shaft Seal Bellows Assembly, Complete with Removable Shoulder and Shoulder Washer	C16A88	C16A136	C16A152	C16A158
Shaft Seal Bellows Gasket . . . . .	C11A22	C11A22	C11A22	C11A22
Shaft Shoulder Washer . . . . .	C20A310	C20A395	C20A310	C20A439
Clamping Plate . . . . .	C16A89	C16A175	C16A89	C16A89
Shaft Shoulder . . . . .	C16A91	C9A153	C16A91	C9A161

NOTE: The original Type CB machines were equipped with the Cat. No. C21A1 Compressors. The catalog number, however was not stamped on these compressors. These compressors have the bronze nose piece soldered to the shaft and the nose piece on the bellows assembly is of steel.

Some of the earlier Cat. No. C21A22 Compressors were not stamped with the catalog number. However, these compressors all have the punched end bell, but are equipped with bellows assemblies having the bronze nose piece.

The Cat. No. C21A6 Compressors were used as replacements on Type CB machines and on Type CD machines. These all have forged end bells and have the bronze nose piece on the bellows assembly.

INSTALLING AND REMOVING TOOLS

NAME OF PART	CAT. NO.	NAME OF PART	CAT. NO.
Removing Tools . . . . .	A18A88	Installing Tools (Set for Units, Type CM-3 to CM-8 inclusive). . . . .	A18A90
Installing Tools (Set for Units, Type CM-3 to CM- 12 inclusive). . . . .	A18A89	Installing Tools (For CM-3 Unit only) . . . . .	A18A91

Always Give Catalog Number

**OIL FOR TYPE CM-3  
REFRIGERATING MACHINES**

A high-grade oil, especially developed for use in General Electric Type CM-3 Compressors, is available. No other oil should be used in General Electric Machines. Catalog information is as follows:

<i>Cat. No.</i>	<i>Description</i>
C16A20	½ gallon oil for SO <sub>2</sub> Units
C16A21	1 gallon oil for SO <sub>2</sub> Units
C16A22	5 gallons oil for SO <sub>2</sub> Units
C16A93	½ gallon oil for F-12 Units
C16A94	1 gallon oil for F-12 Units
C16A95	5 gallons oil for F-12 Units

**ALCOHOL FOR TYPE CM-3  
REFRIGERATING MACHINES**

Some alcohol has been added to most Type CM-3 Refrigerating Machines using Freon-12 Refrigerant to prevent moisture freeze-up. If any alcohol is added in the field it must be of extremely high quality or damage to the machine will result. We therefore recommend that only alcohol stocked by the General Electric Co. for this purpose be used.

Cat. No. 58X341 covers an 8 oz. can of this alcohol.

**Always Give Catalog Number**

# CABINET-UNIT REFERENCE CHART

On all 1940 and later cabinets, the Model No. of the refrigerating machine used in the cabinet is shown directly under the heading on the catalog page. To give you this information on earlier type cabinets we are listing below the cabinets with the refrigerating machine or machines most commonly used in each cabinet.

Even though this information cannot be made one hundred percent accurate, we believe it will be of value to you.

Cabinet	Unit	Cabinet	Unit	Cabinet	Unit	Cabinet	Unit	Cabinet	Unit
B3-37A	CH-1A	J85-39B	CF-1G	P-67E	D-2		D-40		CK-35C
B3-38A	CH-1B	J86-37A	CF-2D	P-72	DR-2		D-35	S-180	CK-35D
B3-39A	CH-1C	J86-37B	CF-2D	P-83	D-30	PS-13	DR-35		DR-3
B4A	CJ-1B	J86-37C	CF-2D	P-85E	D-30		DR-3		DRE-3
B4-37A	CJ-1A	J86-38A	CF-2E	P-110	D-35		DRE-3		DRA-4
B4-37B	CJ-1A	J86-39A	CF-2G		DR-35	PS-45	DR-1B		DRE-4
B4-38A	CJ-1B	J86-39B	CF-2G		J86-35B	PS-55	D-2		D-35
B4-38C	CJ-1B	J87-37A	CF-2D		CK-35C	PS-62	D-2		D-40
B5-37A	CF-1D	J87-38A	CF-2E		CK-35D		DR-2	S-182	D-35
B5-38A	CF-1E	J87-38B	CF-2G	P-134	CK-35	PS-65	D-2		D-40
B5-39A	CF-1G				DR-35	PS-95	D-35		DR-35
B6-37A	CF-2D	K-4A	CF-1B		CK-35B		DR-35		CK-35
B6-38A	CF-2E	K-5A	CF-1B		CK-35C		DR-3		CM-35
B6-39A	CF-2D	K-5B	CF-1B		CK-35D		DRE-3	SD-40	DA-1
B7-37A	CF-2G	K-7A	CF-2B	P-170	CM-35	PS4-17	D-35		SM-66A
B7-38A	CF-2E	K-7B	CF-2B	P-170	D-35		DR-3		SM-66B
B7-38B	CF-2E	K-12A	CE-34M		D-40		D-40		SM-66C
B8-37A	CF-2D	K-12B	CE-34M		DR-35		DRA-4		SMP-66A
B8-38A	CF-28A	K-15A	CE-34M		CK-35	PS4-18	D-35		SMP-66C
B8-38B	CF-28B	K-15B	CE-34M		CM-35		D-40		SS-42
B8-39A	CF-28C	KF-3A	CM-311-A	P4-180	D-35	PSS62	D-2		SS-62
BY4-38A	CE-140A	KF-4A	CM-32		D-40				D-2
BY4-39A	CE-140B	KF-5A	CM-32		DR-35	R-5	DR-2		SS-82
		KF-7A	CM-33		CK-35		DR-2D		SS-100
CS-45	DR-2E	KF-12A	CM-34A		CM-35	R-7	DR-2D		SS-140
		KF-12B	CM-34A	PB5	DR-2D	R-9	DR-3		D-35
DK-1A	DK-1	KF-15A	CM-34A	PB7	DR-2D	R-52	DR-2		D-35
		KF-15B	CM-34A	PB9	DR-3	R-72	DR-2	S-180	D-40
E-4	CM-1	KT-5A	CF-1B	PB12	DR-3	RB-5	DR-2D		DR-35
E-5	CM-2	KT-5B	CF-1B	PB16	DR-3	RB-7	DR-2D		
F-3A	CD-11	KT-7A	CF-2B	PB4-37A	CJ-1A	RB-9	DR-3		T-5C
F-4A	CD-1	KT-7B	CF-2B	PB4-38A	CJ-1B	RC4-38A	CD-1		T-7B
F-5A	CD-2			PB5-37A	CF-1D	RC5-37A	CD-2		CA-2B
F-7A	CD-3	LB6-39A	CF-2G	PB5-38A	CF-1E	RC5-38A	CD-2		T-9A
		LB6-39B	CF-2H	PB5-39A	CF-1G	RC6-37A	CD-3		T-9C
G-35	DR-1A	LB6-39C	CF-2H	PB6-37A	CF-2D	RC6-38A	CD-3		T-9D
G40	DR-1A	LB6-39A	CF-2G	PB6-38A	CF-2E	RL-95	DR-3		T-14A
	DR-1B	LK1A	LK-1A	PB6-39A	CF-2G	RS-5	DR-2		TM-9A
G55	DR-2	LK1B	LK-1B	PB7-38A	CF-2E	RS-52	DR-2		CK-30C
	DR-2F	LK2A	LK-2	PB8-37A	CF-2D	RT-5	DR-2		CK-30D
G75	DR-2			PB8-38A	CF-28A		DR-2D		V-4A
	DRB-3	M-4A	CG-1A	PB8-38B	CF-28A		DR-2E		V-4C
G100	DR-3		CG-1B	PB8-39A	CF-28C	RT-7	DR-2		V-5A
	DRE-3	M-4C		PB12-38A	CE-34A		DRE-3		V-5C
	DRE-3	M-5A	CK-1C	PB12-39A	CE-34B,C		DR-2D		V-7A
G135	DR-3	M-5C	CK-1C	PB12-39B	CE-34B,C		DR-2E		V-7C
	DRE-3	M-6A	CK-2C	PB12-39C	CE-34C	RT-52	DR-2		VP-4A
G175	DR-3	M-6B	CK-2C	PB16-38A	CE-34A	RT-72	DR-2		VP-4C
	DRE-3	M-6C	CK-2C	PB16-39A	CE-34B				VP-5A
	DRA-4	M-7A	CK-2C	PB16-39B	CE-34C	S-3	DR-2D		VP-5C
	DRE-4	M-7C	CK-2C	PL-13	D-35	S-5	DR-2E		VP-7A
HE-3A	CB-1	M3-37A	CK-26A		DR-35		DR-2		VP-7C
HE-3K	CB-1	M6-38A	CK-26B		DR-3		DR-2D		
HE-4A	CB-1	M8-37A	CK-28A		DRE-3	S-32	DR-2	X-3A	CG-1
HE-4B	CB-1	M8-38A	CK-28B	PL-17	D-35	S-42	DR-1B		CG-1B
HE-4C	CB-1	MP-5A	CK-1C		D-40	S-44	DR-1B	X-4A	CG-1A
HE-5A	CB-2	MP-5C	CK-1C		DR-3	S-62	DR-2		CG-1B
HE-5B	CB-2	MP-6C	CK-2C		DRE-3		D-2	X-4B	CG-1A
HE-7A	CB-3				DRE-4		DR-2F		CG-1B
HE-7B	CB-3	P-4	DRA-2A		DRA-4	S-62S	D-2	X-5A	CA-1A
HT-47A	CA-1B	P-5	DR-2	PL-95	DR-3		DR-2		CA-1B
HT-47B	CA-1B		DR-2D	PS-5	D-2	S-67	D-2	X-5B	CA-1A
HT-50	CA-1B		DR-2F		DR-2	S-85	D-30		CA-1B
HT-67	CA-2A,B	P-7	DR-2		DR-2F	S-100	DR-3	X-5C	CK-1A
HT-70A	CA-2A,B		DR-2D	PS-6	D-2		DRE-3	X-5D	CA-1A
HX-47A	CA-1A		DRB-3		DR-2		DR-35		CA-1B
HX-47B	CA-1B		D-2		DRB-3	S-107	D-35	X-5E	CA-1A
HX-50	CA-1B	P-9	DR-3	PS-7	D-2		DR-35		CA-1B
HX-67	CA-2A,B	P-12	DR-3		DR-2		CK-30B	X-5F	CK-1A
HX-70A	CA-2A,B	P-16	DR-3		DRB-3		CK-35B	X-5G	CK-1A
		P-42	DRA-2	PS-8	D-30		CK-35C	X-6A	CK-2B
		P-44E	DR-1B	PS-9	D-35		CK-35D	X-7B	CK-2B
JB3-38A	CJ-1B		CA-1A	PS-17	DRA-4	S-140	DR-3	X-7C	CA-2B
JB3-39A	CJ-1C	P-52	DR-2		DRE-4		DRE-3		CK-2B
JB3-39B	CJ-1C	P-55E	D-2		DR-3		D-35	XT-6A	CK-2B
JB4-39A	CJ-1C	P-55S	D-2		DR-3	S-146	D-35		
JB5-37A	CF-1D	P-63	D-2		DR-35		DR-35		
JB5-38A	CF-1E		DR-2		D-35		CK-35B		
JB5-39A	CF-1G		DR-2		D-35				

**DOOR GASKETS****Button Type**

To assist you in identifying button type door gaskets we have made the following table. Positive identification can be made by the Mold Number which is molded into the under side of each gasket. The other information may also be of some value.

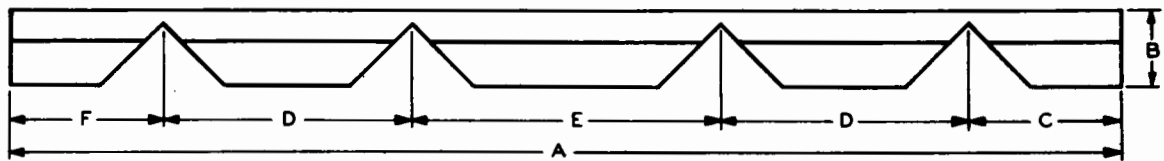
<i>Complete Gasket Cat. No.</i>	<i>Parts Cat. No.</i>	<i>Mold No.</i>	<i>No. of Buttons</i>	<i>Length</i>	<i>Quan.</i>	<i>Color</i>
11X264	H13A1	1935791	11	29 15/16	2	Grey
	11X799	1935792	7	17 5/8	2	
11X265	H13A15	3621339	11	31 11/16	2	Grey
	11X800	3621340	8	22 1/8	2	
11X266	H13A19	1935776	11	32 1/4	2	Grey
	11X801	1935775	9	26 11/16	2	
11X559	H13A199	4320930	8	22 3/8	2	Grey
	H13A200	3623947	7	16 9/16	2	
11X589	H13A205	3623944	12	31 5/16	2	Grey
	H13A206	3623945	8	21 1/2	2	
11X590	H13A207	3623946	12	32 1/2	2	Grey
	H13A209	3623950	10	25 3/4	2	
11X591	H13A207	3623946	12	32 1/2	2	Grey
	H13A200	3623947	7	16 9/16	2	
11X592	H13A210	3623952	7	19 1/8	2	Grey
	H13A211	3623953	13	34 13/16	2	
11X593	H13A211	3623953	13	34 13/16	2	Grey
	H13A212	3623951	8	19 3/4	2	
11X594	H13A213	3623954	6	13 3/4	2	Grey
	H13A211	3623953	13	34 13/16	2	
11X735	11X801	1935775	9	26 11/16	2	Grey
	11X799	1935792	7	17 5/8	2	
† 11X822	H13A214	4320762	7	18 7/16	2	Grey
	H13A215	4320763	9	24 9/16	2	
H13A26	H13A26	4724106	39	108 7/8	1	Grey
H13A31	H13A31	4724087	37	95 7/8	1	Grey

†Box Top Gasket

# DOOR GASKETS

## Extruded Type

Below are sketches of the various types of extruded door gaskets and a table giving the dimensions of each gasket. Due to the fact that there is very little difference between some of the gaskets, positive identification is difficult. Always refer to the catalog information on the cabinet involved when the Cabinet Model No. is available.



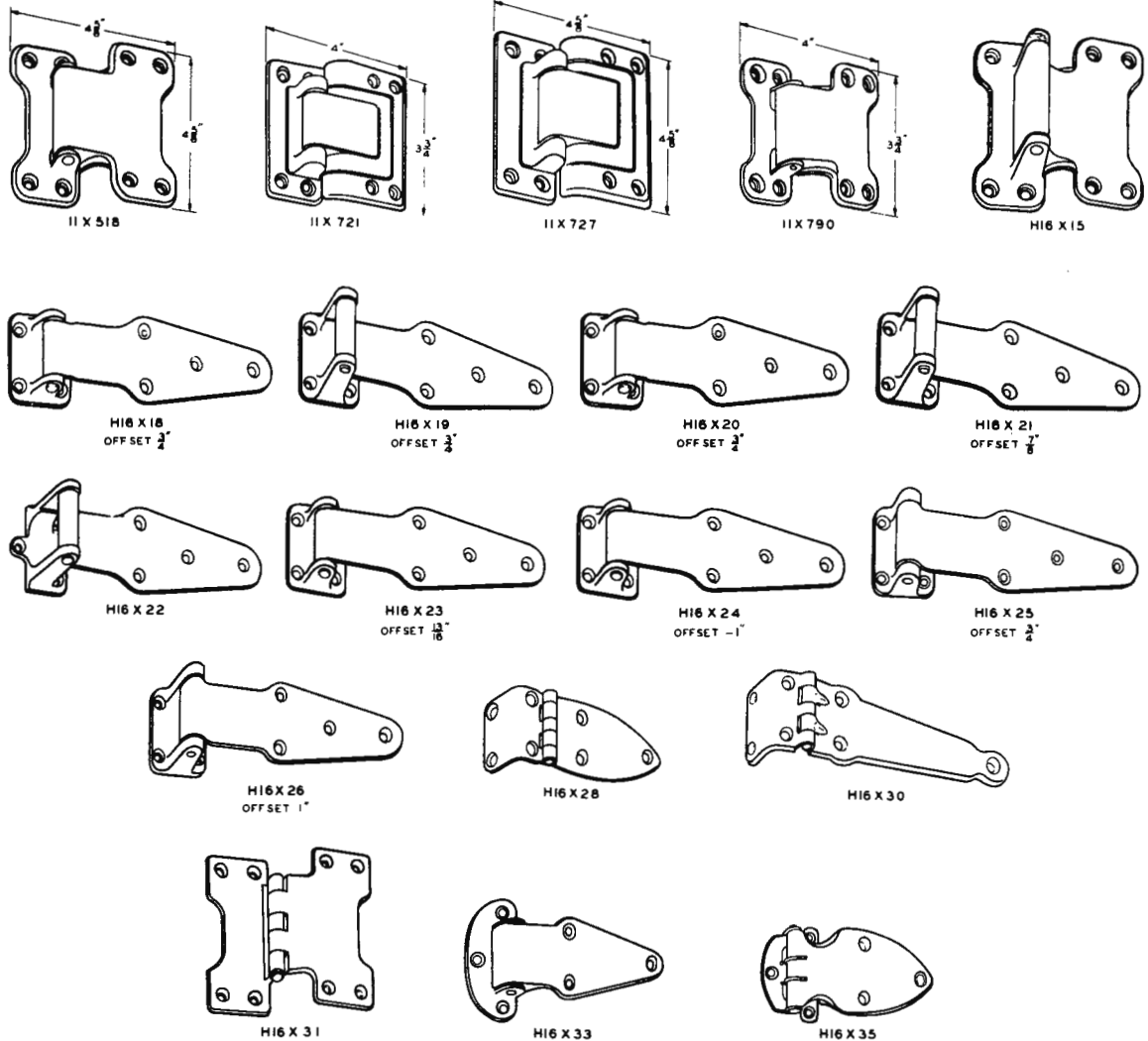
Cat. No.	Style	A	B	C	D	E	F	Color
H13A40	B	91 3/8	1 1/32	4 1/2	18 3/16	27 1/2	23	Black
H13A46	B	99 7/8	1 1/32	4 1/2	20 11/16	29 1/4	24 3/4	Black
H13A66	B	99	1 5/32	15 3/8	18 3/4	30 3/4	15 3/8	Black
H13A69	B	119	1 5/32	17 3/8	24 3/4	34 3/4	17 3/8	Black
H13A77	A	81 1/4	1 1/8	10 5/32	20 5/16	20 5/16	10 5/32	Black
H13A81	B	122 1/4	1 1/32	16 3/4	27 5/8	33 1/2	16 3/4	Black
H13A82	B	112 3/4	1 1/32	16 19/32	23 3/16	33 3/16	16 19/32	Black
H13A87	**	90 3/8	13/16	13	19 3/16	26	13	Black
H13A88	**	79 7/8	13/16	10 3/8	19 3/16	20 3/4	10 3/8	Black
H13A95	B	111	1 5/32	18 13/16	17 7/8	37 5/8	18 13/16	Black
H13A96	B	105 1/8	1 5/32	18 13/16	14 15/16	37 5/8	18 13/16	Black
H13A100	B	125	1 5/32	18 13/16	24 7/8	37 5/8	18 13/16	Black
H13A106	B	90 1/16	29/32	12 61/64	19 1/8	25 29/32	12 61/64	Black
H13A108	B	80	1 5/32	10	20	20	10	Black
H13A147	B	119 7/8	1 3/32	17 15/32	25	34 15/16	17 15/32	Black
H13A150	B	132 7/8	1 3/32	19 7/32	28	38 7/16	19 7/32	Black
H13A153	B	126 7/8	1 3/32	19 7/32	25	38 7/16	19 7/32	Black
H13A157	B	106 1/2	1 5/32	15 3/8	22 1/2	30 3/4	15 3/8	Black
H13A170	B	76 5/8	1 3/32	8 25/32	20 3/4	17 9/16	8 25/32	Black
H13A175	C	119 7/8	1 5/32	17 15/32	25	34 15/16	17 15/32	Black
H13A176	C	132 7/8	1 5/32	19 7/32	28	38 7/16	19 7/32	Black
H13A177	C	99 3/4	1 1/4	15 15/32	18 15/16	30 15/16	15 15/32	Black
H13A178	C	107 1/4	1 1/4	15 15/32	22 11/16	30 15/16	15 15/32	Black
H13A180	B	107	1 3/32	15 3/8	22 3/4	30 3/4	15 3/8	Black
H13A182	C	107	1 5/32	15 3/8	22 3/4	30 3/4	15 3/8	Black
H13A184	C	112 3/8	1 5/32	18 25/32	18 5/8	37 9/16	18 25/32	Black
H13A189	C	121 3/8	1 5/32	18 25/32	23 1/8	37 9/16	18 25/32	Black
H13A193	C	126 7/8	1 5/32	19 7/32	25	38 7/16	19 7/32	Black
H13A194	B	87 3/4	1 5/32	12 9/16	18 3/4	25 1/8	12 9/16	Black
H13A233	*	106 5/16						
H13A237	*	106 5/16						
H13A244	B	119 7/8	1 3/32	17 15/32	25	34 15/16	17 15/32	Grey
H13A248	B	127 1/4	1 3/32	17 31/32	27 11/16	35 15/16	17 31/32	Grey
H13A256	B	136	1 3/32	19 5/32	29 11/16	38 5/16	19 5/32	Black
H13A258	B	136	1 3/32	19 5/32	29 11/16	38 5/16	19 5/32	Grey
H13A263	B	127 1/4	1 3/32	17 31/32	27 11/16	35 15/16	17 31/32	Black

\* These gaskets are for type LB4 cabinet and are a different style than those illustrated. They have two notches instead of four.

\*\*Similar to Style A.

# HINGES

There are many occasions when the Model Number of a cabinet is not readily available and it is necessary to identify hardware from a sample or sketch. To assist you in this we have shown in this section pictures of hinges, strikes and latches for the older model cabinets where most of the difficulty is encountered. However, when the Cabinet Model Number is available refer to the parts list for the cabinet in the Household Cabinet Section.

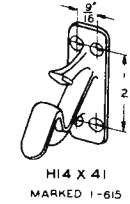
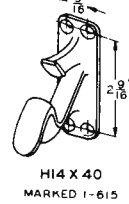
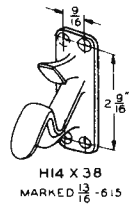
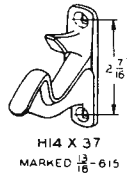
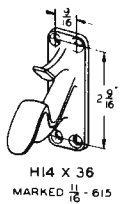
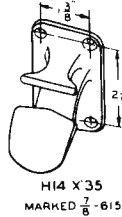
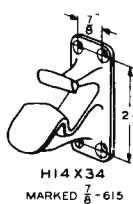
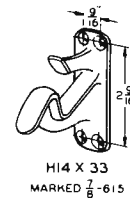
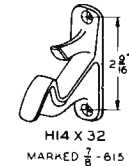
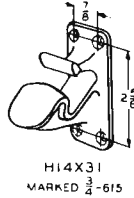
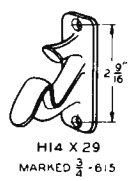
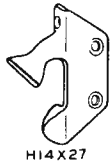
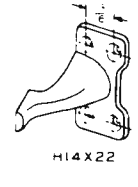
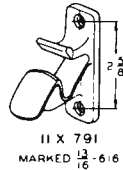
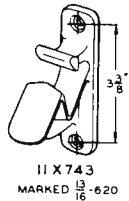
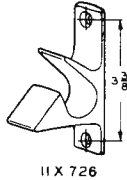
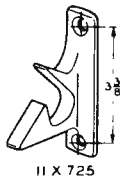
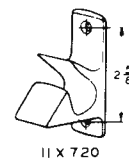
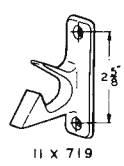
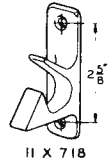
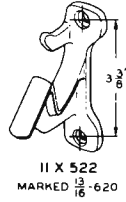
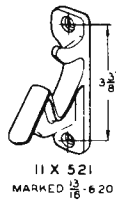
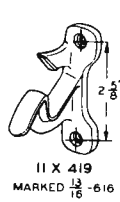


Cat.No.	Description	Used On
11X311	Hinge(Use 11X790)	P5, PS5, RT5, PL95, PS95, P110, RL95, G40, G100, S42, S100
11X518	Hinge	S62, S140, S180, G135, G175, PS7, PS13, P134, P7, PL13, 17, PS17, P170
11X721	Hinge	S44, P44E, S107, PS45, S342, S3100, P63, PS55, P55S, PS4-18, PS95, PS13
11X727	Hinge	S67, S85, S146, S182, S362, P67E, S382, PS8, S3140, S3180, S67S, P83, P55E, PS65, P85E, PS13
11X790	Hinge	PS5, PS6, PS95, PS4-17, P4-180, P110, SD40, S100, G100
H16X15	Hinge	PL17, PS17, P170
H16X18	Hinge	Used in few cases on Seeger Cabinets instead of H16X25
H16X19	Hinge	On Seeger Cabinets

Cat.No.	Description	Used On
H16X20	Hinge	P4, P7, PL13, PL17, PL95, RL95, RT7
H16X21	Hinge	PL17
H16X22	Hinge	PL17
H16X23	Hinge	No Record
H16X24	Hinge	RB5, D13, P5, RT5, RT7
H16X25	Hinge	P4, 5, 7, 9, 12, 16; PB5, 7, 9, 12, 16; PL95, 13, 17, RB9, RL95
H16X26	Hinge	RT5
H16X28	Hinge	S5
H16X30	Hinge	RS5
H16X31	Hinge	R5, 7
H16X32	Hinge(Use H16X26)	RB9, RL95, RB7, RT7
H16X33	Hinge	S3, CS45
H16X35	Hinge	P85

Always Give Catalog Number

# STRIKES



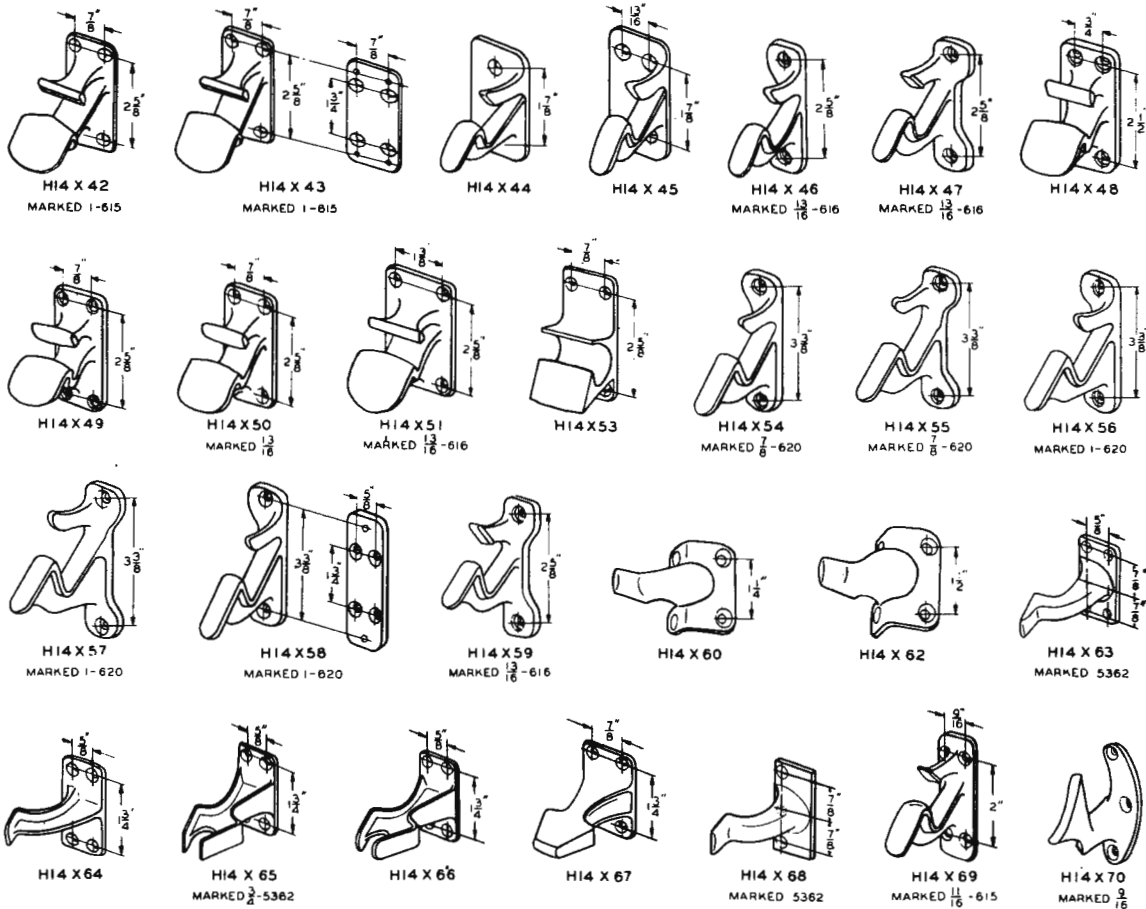
Cat.No.	Description	Used On
11X315	Strike (Use H14X46)	P5
11X419	Strike (Use H14X47)	G40, P5, PS5, S42, RT5
11X521	Strike (R.H.)	S82, PS7, P7
11X522	Strike (L.H.)	S62, PS7, P7
11X718	Strike (R.H.)	S44, P44E, PS45, P63, SS42, PS55, P55S
11X719	Strike (L.H.)	S44, P44E, PS45, P63, SS42, PS55, P55S
11X720	Strike (Double)	S107, SS100, PS4-18
11X724	Strike (R.H.)	S67, S85, SS62, SS82, PS8, S62S, P55E, PS65, P67E, P85E, P83
11X725	Strike (L.H.)	S67, S85, SS62, SS82, PS8, S62S, P55E, PS65, P67E, P85E, P83
11X726	Strike (Double)	S146, S182, SS140, SS180
11X743	Strike (Double)	S140, S180, G135, G175
11X791	Strike	S100, G100
H14X21	Strike	R5, 7
H14X22	Strike	R5, 7

Cat.No.	Description	Used On
H14X23	Strike	RB5
H14X27	Strike (R.H.)	RS5
H14X28	Strike (L.H.)	RS5
H14X29	Strike	Two hole strike, 3/4" offset for Heintz cabinets
H14X30	Strike	R7, P4, 5, CS45
H14X31	Strike	No Record
H14X32	Strike	PL17
H14X33	Strike	P4, 7; RT7
H14X34	Strike	PL95, RL95, PL13
H14X35	Strike	PL17
H14X36	Strike	P5
H14X37	Strike	PL17
H14X38	Strike	Four hole strike, 13/16" offset for Bohn cabinet
H14X39	Strike (Use H14X50)	RL95, PL13
H14X40	Strike	P5, RT5, RT7
H14X41	Strike	P5

Always Give Catalog Number



### STRIKES (Cont.)

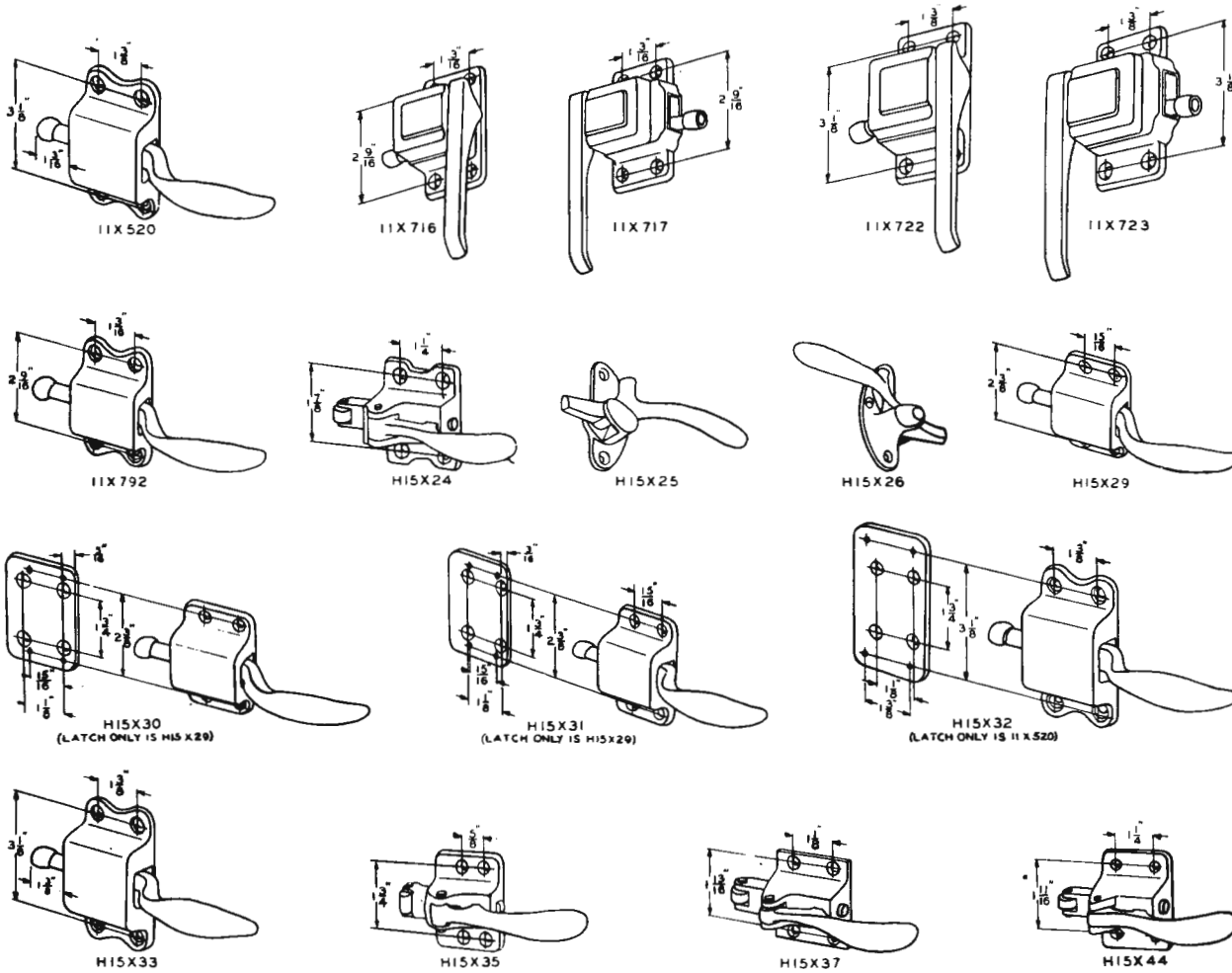


Cat. No.	Description	Used On
H14X42	Strike	D13
H14X43	Strike	RB9, RL95
H14X44	Strike	R5, R7
H14X45	Strike	R5, R7
H14X46	Strike	SD40, PS5, PS6, P5, RT5, PL17, PS17, P17C
H14X47	Strike	SD40, PS5, PS6
H14X48	Strike	PS95, P110, PS4-17, P4-180, PS13, P134
H14X49	Strike	PL95, PS13, P134, PS95, P110
H14X50	Strike	PL95, RL95, PL13
H14X51	Strike	PS17, PL17, P170
H14X53	Strike	P4-180
H14X54	Strike (R.H.)	P7, RT7
H14X55	Strike (L.H.)	P7, RT7
H14X56	Strike (R.H.)	P5, RT7
H14X57	Strike (L.H.)	P5, RT7

Cat. No.	Description	Used On
H14X58	Strike	RB7, RT7
H14X59	Strike	S5
H14X60	Strike	S5
H14X62	Strike	S5
H14X63	Strike	PB5, 7, 16; P7, 16; PL17, P5
H14X64	Strike	In a few cases, used on P16 Seeger cabinets instead of H14X63 when H15X44 Latch and H14X67 Double strike are used
H14X65	Strike	PB9, 12, 16; P9, 12, 16; PL13, 17, 95
H14X66	Strike	Used in a few cases on R89 Puffer Hubbard cabinets
H14X67	Strike	RB9, RL95
H14X68	Strike	Three hole strike, used in few cases on P5, P7, PB7 Seeger cabinets
H14X69	Strike	S3
H14X70	Strike	PB5

Always Give Catalog Number

# LATCHES



Cat. No.	Description	Used On
11X520	Latch	S62, S140, S180, G135, G175 PS7, P5, 7, RT7
11X716	Latch (R.H.)	S44, S107, P44E, PS45, SS42, SS100, P63, PS55, P55S, PS4-18, P44, PS95, PS13
11X717	Latch (L.H.)	S44, S107, P44E, PS45, SS42, SS100, P63, PS55, P55S, PS4-18, P44, PS95, PS13
11X722	Latch (R.H.)	S67, S85, P83, S146, S182, SS62, SS82, SS140, PS8, SS180, S62S, PS95, P55E, PS65, P67E, P85E, PS13
11X723	Latch (L.H.)	S67, S85, S146, S182, SS62, P67E, SS82, PS8, SS140, SS180, S62S, P55E, PS65, PS8, P85E, P83
11X792	Latch	S100, G100, SD40, PS5, 6, 95, PS4-17, P4-180, P110, 134, P5, RT5, PL95, PS95, PL13, PS13, PL17, PS17, P170

Cat. No.	Description	Used On
H15X24	Latch	R5, 7
H15X25	Latch (R.H.)	PB5, S3, RB5
H15X26	Latch (L.H.)	RB5
H15X29	Latch	RS5, R7, D13, P5, RT5, 7; P7, PL95, RL95, PL13, 17; P4, CS45
H15X30	Latch & Adapter Plate (Latch only is H15X29)	R9, RL95, RB9
H15X31	Latch & Adapter Plate (Latch only is H15X29)	R5, 7
H15X32	Latch & Adapter Plate (Latch only is 11X520)	RB7, RT7
H15X33	Latch	P7
H15X35	Latch	S5
H15X37	Latch	S5, PB5, 7, 9, 12, 16; P5, 9, 12, 16; PL95, 13, 17; RB9
H15X44	Latch	Used in few cases on Seeger cabinets instead of Cat. No. H15X36

Always Give Catalog Number

# COLD STORAGE COMPARTMENT AND GLASS VEGETABLE DRAWER COVERS

## Cold Storage Compartment Trays and Covers

<i>Cat. No.</i>	<i>Description</i>	<i>Type Glass</i>	<i>Width</i>	<i>Depth</i>	<i>Height</i>
A4R12	Tray	Moonstone	11 1/4	14 1/8	3 1/4
A4R13	Cover	Crystal	11 1/8	13 13/16	1 5/8
A4R14	Cover	Moonstone	11 1/8	13 13/16	1 5/8
A4R19	Tray	Moonstone	11 1/4	14 1/8	3 1/4
A4R20	Tray	Moonstone	11 1/4	14 1/8	3 1/4
A4R23	Tray	Moonstone	11 7/8	14 1/4	3 1/2
A4R26	Tray	Moonstone	11 1/4	14 1/8	3 1/4
A4R27	Cover	Moonstone	11 1/8	13 15/16	1 7/8
A4R30	Tray	Crystal	11 1/4	14 1/8	3 1/4
A4R31	Cover	Crystal	11 1/8	13 15/16	1 7/8
A4R33	Tray	Moonstone	11 1/4	14 1/8	3 1/4
H31A44	Tray	Moonstone	11 7/8	14 1/4	3 1/2
H31A45	Cover	Moonstone	11 7/8	13 3/4	1 1/2
H31A47	Tray	Moonstone	7 7/8	14 1/4	3 1/2
H31A48	Cover	Moonstone	7 7/8	13 3/4	1 1/2
H31A58	Tray	Moonstone	11 7/8	14 1/4	3 1/2
H31A59	Cover	Moonstone	12	13 3/8	7/8

## Glass Vegetable Drawer Covers

<i>Cat. No.</i>	<i>Width</i>	<i>Depth</i>	<i>Thickness</i>
H30A100	9 5/8	13 11/16	3/16
H30A105	8 7/16	13 11/16	3/16
H30A117	11 1/16	14 3/16	3/16
H30A129	17 11/32	10 5/16	3/16
H30A146	11 1/8	14 3/8	3/16
H30A150	10 1/8	14 3/8	3/16
H30A184	10 7/32	14 9/32	3/16
H30A190	9 25/32	13 7/8	3/16
H30A197	11 7/32	14 9/32	3/16

Always give Catalog Number



# FRACTIONAL HORSEPOWER MOTORS

## Interchangeability & General Information

### EXPLANATION OF TABLES 1 AND 2

In Table 1 are listed essentially all of the fractional-horsepower motors likely to be encountered in the field on household refrigerators. In Table 2 are listed the Index Numbers covering these motors.

In Column 1 of Table 1 the motors are listed in order of Model Numbers. Column 2 shows the Index Number.

Columns 3 to 8 inclusive, Table 1, show the rating of each motor.

Column 9 indicates the class of exchange to which each motor is subject. "FHP" indicates that the motor is eligible for the regular Fractional-horsepower Exchange Plan. Information on this plan has been published in the Service Policy Manual.

"SSP" indicates that the motor is carried in a centralized stock in Fort Wayne, known as the Special Service Plan stock. Such motors are not carried in stock at the regular exchange points. They are, however, available to the exchange points for immediate shipment and exchanges involving this class of motor will be handled through the regular exchange points. The over-all traffic in motors of this class, in general, does not warrant including them in the regular plan. The practical result of this is a slightly greater time required to effect an exchange.

"RR" indicates that the motor is not included in an exchange plan stock but is to be handled via the regular exchange points on a repair and return basis. Most of the motors in this class are odd voltage or frequency, etc. Their use has been necessitated largely by uncommon local conditions.

Important: The existence of exchange plans does not relieve distributors of the responsibility of maintaining buffer stocks of motors for emergency service purposes but will permit the maintenance of such stocks at a minimum. Distributors are urged to study Table 1 closely, paying particular attention to Class "RR" motors. Any motors in this class in service in any territory most certainly should be protected by a buffer stock and all distributors are hereby warned of this fact.

Column 10, Table 1, shows, in general, on what type equipment each motor is applied. To determine the motor (or motors) originally supplied on a refrigerating machine, refer to the section covering that machine.

Column 11 shows what Index Number each motor can replace. Since an Index Number may cover several Model Numbers (see Table 2), Column 11 indicates all the motors a given motor may replace. For example, opposite 5KC47AB243, in Column 11, is found 8102025P278. By reference to Table 2 under Index Number 8102025P278 are found Models 5KC47AB243, 5KC47AB276, and 5KC47AB276A, indicating that the motor in question can replace one of the same Model Number (obviously) or it can replace either of the other two models listed under that Index Number.

Similarly, Column 12, Table 1, indicates all the Index Numbers that may be used to replace any motor. Column 12 is used in conjunction with Table 2 in the same manner as Column 11.

Except where specifically indicated in Columns 11 and 12, models covered by different Index Numbers are not interchangeable even though the electrical characteristics may be identical. The Index Number is the only key to interchangeability.

Column 13, Table 1, shows references to important explanatory notes appearing at the end of Table 1. Do not overlook these notes as they include essential information that cannot be readily indicated in the body of the table.

In Table 2, Index Numbers are listed in numerical sequence against which are listed the Model Numbers covered. In every case where several Model Numbers are covered by one Index Number, the Model Numbers are arranged in chronological order, i.e., the oldest model is listed first and the most recent motor of that type used by this Department is listed last.

All exchanges of fractional-horsepower motors must be handled through regular exchange points. All orders for outright purchase of fractional horsepower motors for stock purposes are to be placed on Appliance and Merchandise Department, Erie, Pennsylvania.

Caution: Exchange Point Representatives identify motors by Model Numbers and not by Index Numbers. Therefore, all communications with exchange points must always give the motor Model Number.

# FRACTIONAL HORSEPOWER MOTORS

## Interchangeability & General Information

TABLE 1

Motor Model No.	Index No. 8102025, Part	HP	RPM	Volts	Freq.	PH.	Rot.	Type Exchange	Equipment Used On	Can Replace 8102025, Part	Can be Replaced by 8102025, Part	Notes
5BC42AB72	13	1/6	1725	115	DC	--	Either	FHP	CB, CD, CM	13	13	A, B
5BC42AB72B	13	1/6	1725	115	DC	--	Either	FHP	CB, CD, CM	13	13	A, B
5BC42AB73	14	1/6	1725	230	DC	--	Either	FHP	CB, CD, CM	14	14	A, B
5BC42AB73B	14	1/6	1725	230	DC	--	Either	FHP	CB, CD, CM	14	14	A, B
5BC42AB95	661	1/6	1725	115	DC	--	Either	FHP	CD1, 2, 3	661	661	A2, B
5BC42AB96	662	1/6	1725	230	DC	--	Either	FHP	CD1, 2, 3	662	662	A2, B
5BC42AB104	663	1/6	1725	32	DC	--	CW	FHP	CD1, 2, 3	663	663	A2, B, C2
5BC42AB129	664	1/6	1725	250	DC	--	CW	RR	CD1, 2, 3	664	664-668	A2, B
5BC42AB153	665	1/6	1725	150	DC	--	CW	RR	CD1, 2, 3	665	665-669	A2, B
5BC42AB179	666	1/6	1725	125	DC	--	Either	FHP	CD1, 2, 3	666	666	A2, B
5BC42AB190	661	1/6	1725	115	DC	--	Either	FHP	CM32, 33	661	661	A2, B
5BC42AB191	662	1/6	1725	230	DC	--	Either	FHP	CM32, 33	662	662	A2, B
5BC42AB192	667	1/6	1725	32	DC	--	Either	FHP	CM32, 33	667	667	A2, B
5BC42AB259	668	1/6	1725	250	DC	--	Either	RR	CM32, 33	664-668	668	A2, B
5BC42AB270	666	1/6	1725	125	DC	--	Either	FHP	CM32, 33	666	666	A2, B
5BC42AB416	669	1/6	1725	150	DC	--	Either	RR	CM32, 33	665-669	669	A2, B
5BC42AB570	815	1/5	1725	230	DC	--	CCW	FHP	CM32, 33	815	683-815	A2, B
5BC42AB570X	683	1/5	1725	230	DC	--	CCW	RR	CM32, 33	683-815	815	A2, B, X
5BC42AB1107X	670	1/6	1725	32	DC	--	CCW	FHP	CM32L, 33M	670	670	A2, B, C1, X
5BC42AB1108AX	671	1/6	1725	115	DC	--	CCW	FHP	CM32L, M	671	671	A2, B, X
5BC42AB1109AX	672	1/6	1725	230	DC	--	CCW	FHP	CM32L, 33M	672	672	A2, B, X
5BC42AB1172	673	1/6	1725	115	DC	--	CCW	RR	CM32L, 448	673	673	A2, B, N, K
5BC42AB1172X	674	1/6	1725	115	DC	--	CCW	RR	CM33M	674	674	A2, B, N, K, X, C1
5BC42AB1205X	675	1/6	1725	230	DC	--	CCW	RR	CM33M	675	675	A2, B, N, K, X, C1
5BC44AB1	32	1/4	1725	115	DC	--	Either	FHP	CB, CD, CM	32	32-42	A, B
5BC44AB89	35	1/4	1725	115	DC	--	Either	FHP	CB, CD, CM	35	35-46-47-65	A2, B
5BC44AB89A	35	1/4	1725	115	DC	--	Either	FHP	CB, CD, CM	35	35-46-47-65	A2, B
5BC44AB147	38	1/4	1725	230	DC	--	Either	FHP	CB, CD, CM	38	38-48-49-66	A2, B
5BC44AB147A	38	1/4	1725	230	DC	--	Either	FHP	CB, CD, CM	38	38-48-49-66	A2, B
5BC44AB170	41	1/4	1725	32	DC	--	Either	FHP	CB, CD, CM	41	41-53	A2, B
5BC44AB170A	41	1/4	1725	32	DC	--	Either	FHP	CB, CD, CM	41	41-53	A2, B
5BC44AB188	42	1/4	1725	115	DC	--	Either	FHP	CB, CD, CM	42-32	42	A, B, E
5BC44AB188B	42	1/4	1725	115	DC	--	Either	RR	CB, CD, CM	42-32	42	A, B, E
5BC44AB359	42	1/4	1725	115	DC	--	Either	RR	CB, CD, CM	42-32	42	A, B, E
5BC44AB424	46	1/4	1725	115	DC	--	Either	FHP	CB, CD, CM	35-46	46-47-65	A2, B, C
5BC44AB424X	47	1/4	1725	115	DC	--	Either	RR	CB, CD, CM	35-46-47	47	A2, B, C, X
5BC44AB425	48	1/4	1725	230	DC	--	Either	FHP	CB, CD, CM	38-48	48-49	A2, B
5BC44AB425X	49	1/4	1725	230	DC	--	Either	RR	CB, CD, CM	38-48-49-66	49	A2, B, C, X
5BC44AB650	676	1/4	1725	230	DC	--	CCW	RR	CM33L	676	676	A, B, N, K
5BC44AB650X	677	1/4	1725	230	DC	--	CCW	RR	CM33M449	677	677	A, B, N, K, X
5BC44AB919	53	1/4	1725	32	DC	--	Either	RR	Cond. Units	41-53	53	A2, B, C
5BC44AB1056X	47	1/4	1725	115	DC	--	Either	RR	CB, CD, CM	35-46-47-65	47	A2, B, C, X
5BC44AB1085X	65	1/4	1725	115	DC	--	Either	FHP	Cond. Unit	35-65	47-65	A2, B, X
5BC44AB1177X	49	1/4	1725	230	DC	--	Either	RR	Cond. Unit	38-48-49-66	49	A2, B, C, X
5BC44AB1300	41	1/4	1725	32	DC	--	Either	FHP	Cond. Unit	41	41-53	A2, B
5BC44AB1301X	65	1/4	1725	115	DC	--	Either	FHP	Cond. Unit	35-65	47-65	A2, B, X
5BC44AB1302X	66	1/4	1725	230	DC	--	Either	FHP	Cond. Unit	38-66	49-66	A2, B, X
5BC44AB1421	677	1/4	1725	230	DC	--	CCW	RR	CM33M453	677	677	A, B, N, K, X
5BC46A261	684	1/6	1725	115	DC	--	Either	FHP	CB, CD, CM	684	684	A, B
5BC46A379	684	1/6	1725	115	DC	--	Either	FHP	CM2B1	684	684	A, B
5BC46A380	685	1/6	1725	32	DC	--	Either	FHP	CM1, 2	685	685	A, B
5BC46A381	686	1/6	1725	230	DC	--	Either	FHP	CM1A, 2C	686	686	A, B
5BC46A391	684	1/6	1725	115	DC	--	Either	FHP	CM1A, 2C	684	684	A, B
5BC46A409	684	1/6	1725	115	DC	--	Either	FHP	CB	684	684	A, B
5BC46A434	686	1/6	1725	230	DC	--	Either	FHP	CB	686	686	A, B
5BC46A460	685	1/6	1725	32	DC	--	Either	FHP	CB	685	685	A, B
5BC46A499	687	1/6	1725	125	DC	--	CW	FHP	CB	687	687	A, B
5BC46A597	688	1/6	1725	150	DC	--	CW	RR	CB	688	688	A, B
5BC46AB7	689	1/3	1725	115	DC	--	Either	FHP	CM34	689	689	A1, B
5BC46AB14	691	1/3	1725	230	DC	--	Either	FHP	CM34	691	691	A1, B
5BC46AB15	692	1/3	1725	32	DC	--	Either	FHP	CM34	692	692	A1, B
5K43AC656	698	1/6	1725	440	60	3	Either	RR	CM33D49 Spec.	698	698	A, B1, N
5K51AL1	-	1 w	1300	110 55	50 60	2	CCW	FHP	Fan-Sealed Unit	See Notes	See Notes	Note 1

# FRACTIONAL HORSEPOWER MOTORS

## Interchangeability & General Information

TABLE 1 (Continued)

Motor Model No.	Index No. 8102025, Part	HP	RPM	Volts	Freq.	Ph.	Rot.	Type Exchange	Equipment Used On	Can Replace 8102025, Part	Can be Replaced by 8102025, Part	Notes
5K51A19	-	1.3w	1320	110	5060	2	CCW	RR	Fan-Sealed Unit	See Notes	See Notes	Note 2
5K61YA1	-	1 w	1350	110	5060	2	CCW	FHP	Fan-Sealed Unit	See Notes	See Notes	Note 3
5K61YA2	-	1.3w	1450	110	5060	2	CCW	FHP	Fan-Sealed Unit	See Notes	See Notes	Note 4
5KC45AA524	700	1/6	1725	110	60	1	Either	RR	CM2A16	700	700-701	A,B,S
5KC45AA542	701	1/6	1725	110	60	1	Either	FHP	CM2B16	700-701	701	Al,B,S
5KC45AA614	702	1/6	1725	220	60	1	Either	RR	CM1A,CM2C26	702	702	Al,B,S
5KC45AA615	703	1/6	1425	110	50	1	Either	RR	CM2C15	703	703	Al,B,S
5KC45AA617	701	1/6	1725	110	60	1	Either	FHP	CM1A,CM2L16	700-701	701	Al,B,S
5KC45AA648	704	1/6	1725	110	60	1	Either	FHP	CB3	704	704	Al,B,C,S
5KC45AA649	705	1/6	1725	110	60	1	Either	FHP	CB3	705	704-705	A,B,C,S
5KC45AA656	706	1/6	1425	220	50	1	Either	RR	CB	706	706-707-746	A,B,S
5KC45AB5	241	1/6	1725	110	60	1	Either	FHP	CB	241	241	A,B
5KC45AB52	241	1/6	1725	110	60	1	Either	FHP	CB	241	241	A,B
5KC45AB53	707	1/6	1425	220	50	1	Either	FHP	CB	707-706	707-746	A,B,S1
5KC45AB56	703	1/6	1425	110	50	1	Either	FHP	CM1A,CM2C15	703	703	Al,B,S
5KC45AB57	708	1/6	1425	110	50	1	Either	FHP	CB	708	708-747	A,B,S1
5KC45AB59	709	1/6	1425	125	50	1	Either	RR	CB	709	709	A,B,S1
5KC45AB60	710	1/6	1725	125	60	1	Either	RR	CB	710	710	A,B,S1
5KC45AB66	711	1/6	1425	200	50	1	Either	RR	CB	711	711	A,B,S1
5KC45AB67	712	1/6	1425	230	50	1	Either	FHP	CB	712	712	A,B,S1
5KC45AB77	713	1/6	1725	150	60	1	Either	RR	CB	713	713	A,B,S1
5KC45AB95	714	1/6	1725	220	60	1	Either	FHP	CB	714	714	A,B,S1
5KC45AB106	715	1/6	1725	240	60	1	Either	RR	CB	715	715	A,B
5KC45AB107	716	1/6	1425	240	50	1	Either	RR	CB	716	716	A,B
5KC45AB115	717	1/6	1725	110	60	1	Either	FHP	CD1,2,3	717	717	A2,B
5KC45AB251	717	1/6	1725	110	60	1	Either	FHP	CD1,2,3	717	717	A2,B
5KC45AB300	718	1/6	1725	220	60	1	Either	FHP	CD1,2,3	718	718-719	A2,B
5KC45AB300A	719	1/6	1725	220	60	1	Either	FHP	CM32,33	718-719	719	A2,B,D1
5KC45AB301	720	1/6	1425	110	50	1	Either	FHP	CD1,2,3	720	720-721	A2,B
5KC45AB301A	721	1/6	1425	110	50	1	Either	RR	CM32,33	720-721	721	A2,B,D1
5KC45AB313	722	1/6	1425	220	50	1	Either	FHP	CD1,2,3	722	722-723	A2,B
5KC45AB313A	723	1/6	1425	220	50	1	Either	FHP	CM32,33	722-723	723	A2,B,D1
5KC45AB315	724	1/6	1425	150	50	1	Either	RR	CB	724	724	A,B,S1
5KC45AB319	242	1/6	1725	110	60	1	Either	FHP	CD11A16	242	242	A2,B,S1
5KC45AB319A	242	1/6	1725	110	60	1	Either	FHP	CM311A16	242	242	A2,B,S1
5KC45AB326	725	1/6	1425	125	50	1	Either	RR	CD1,2,3	725	725-726	A2,B
5KC45AB326A	726	1/6	1425	125	50	1	Either	RR	CM32	725-726	726	A2,B,D1
5KC45AB327	727	1/6	1725	125	60	1	Either	RR	CD1,2,3	727	727-728	A2,B
5KC45AB327A	728	1/6	1725	125	60	1	Either	RR	CM32,33	727-728	728	A2,B,D1
5KC45AB328	729	1/6	1425	200	50	1	Either	RR	CD1,2,3	729	729-744	A2,B
5KC45AB329	730	1/6	1425	230	50	1	Either	FHP	CD1,2,3	730	730-739	A2,B
5KC45AB346	731	1/6	1425	240	50	1	Either	RR	CD1,2,3	731	731	A2,B
5KC45AB347	732	1/6	1725	240	60	1	Either	RR	CD1,2,3	732	732	A2,B
5KC45AB348	733	1/6	1425	250	50	1	Either	RR	CD1,2,3	733	733-745	A2,B
5KC45AB354	701	1/6	1725	110	60	1	Either	FHP	CM1E16	700-701	701	Al,B,S1
5KC45AB355	720	1/6	1425	110	50	1	Either	FHP	CD1,2,3	720	720-721	A2,B
5KC45AB355A	721	1/6	1425	110	50	1	Either	RR	CM32,33	720-721	721	A2,B,D1
5KC45AB356	722	1/6	1425	220	50	1	Either	FHP	CD1,2,3	722	722-723	A2,B
5KC45AB357	725	1/6	1425	125	50	1	Either	RR	CD1,2,3	725	725-726	A2,B
5KC45AB358	729	1/6	1425	200	50	1	Either	RR	CD1,2,3	729	729-744	A2,B
5KC45AB359	730	1/6	1425	230	50	1	Either	FHP	CD1,2,3	730	730-739	A2,B
5KC45AB360	734	1/6	1425	150	50	1	Either	RR	CD1,2,3	734	734-741	A2,B
5KC45AB375	735	1/6	1425	100	50	1	Either	RR	CD1,2,3	735	735	A2,B
5KC45AB395	736	1/6	1725	110	60	1	Either	FHP	CM32,33	736	736	A2,B
5KC45AB396	721	1/6	1425	110	50	1	Either	FHP	CM32,33	720-721	721	A2,B
5KC45AB403	736	1/6	1725	110	60	1	Either	FHP	CM32,33	736	736	A2,B
5KC45AB404	737	1/6	1725	250	60	1	Either	RR	CD1,2,3	737	737	A2,B
5KC45AB405	738	1/6	1725	150	60	1	Either	RR	CD1,2,3	738	738	A2,B
5KC45AB410	721	1/6	1425	110	50	1	Either	FHP	CM32,33	720-721	721	A2,B
5KC45AB431	736	1/6	1725	110	60	1	Either	RR	Cond. Unit	736	736	A2,B
5KC45AB443	741	1/6	1725	110	60	1	Either	FHP	CB	241	241	A,B
5KC45AB447	723	1/6	1425	220	50	1	Either	FHP	CM32,33	722-723	723	A2,B
5KC45AB448	739	1/6	1425	230	50	1	Either	FHP	CM32,33	730-739	739	A2,B
5KC45AB451	726	1/6	1425	125	50	1	Either	RR	CM32,33	725-726	726	A2,B
5KC45AB453	728	1/6	1725	125	60	1	Either	RR	CM32,33	727-728	728	A2,B
5KC45AB469	740	1/6	1725	110	60	1	Either	FHP	CB2D16	740	740	A,B,S1
5KC45AB470	719	1/6	1725	220	60	1	Either	FHP	CM32,33	718-719	719	A2,B
5KC45AB477	707	1/6	1425	220	50	1	Either	FHP	CB	706-707	707-746	A,B*

# FRACTIONAL HORSEPOWER MOTORS

## Interchangeability & General Information

TABLE 1 (Continued)

Motor Model No.	Index No. 8102025, Part	HP	RPM	Volts	Freq.	Ph.	Rot.	Type Exchange	Equipment Used On	Can Replace 8102025, Part	Can be Replaced by 8102025, Part	Notes
5KC45AB498	741	1/6	1425	150	50	1	Either	RR	CM32,33	734-741	741	A2,B
5KC45AB523	742	1/6	1725	200	60	1	Either	RR	CB	742	742	A,B,Sl
5KC45AB525	743	1/6	1425	230	50	1	Either	FHP	CD11A54	743	743	A2,B
5KC45AB530	744	1/6	1425	200	50	1	Either	RR	CM33,34	729-744	744	A2,B
5KC45AB531	745	1/6	1425	250	50	1	Either	RR	CM32,33	733-745	745	A2,B
5KC45AB578	746	1/6	1425	220	50	1	Either	RR	CB2D25	746-706-707	746	A,B,Sl
5KC45AB612	747	1/6	1425	110	50	1	Either	FHP	CB2D15	708-747	747	A,B,Sl
5KC45AB655B	736	1/6	1725	110	60	1	Either	FHP	CM32	736	736	A2,B
5KC47AA114	754	1/6	1140	110	40	1	Either	RR	CM1A,CM2C14	754	754	A1,B,S
5KC47AB39	755	1/6	1140	110	40	1	Either	RR	CB	755	755	A,B,S
5KC47AB77	756	1/6	1140	240/250	40	1	Either	RR	CB	756	756	A,B,S
5KC47AB233	276	1/4	1725	110	60	1	Either	FHP	CM	276	276-303-314 334-377	A2,B
5KC47AB243	278	1/4	1425	110	50	1	Either	FHP	CM	278	278-307-333 377	A2,B
5KC47AB253	279	1/4	1425	220	50	1	Either	FHP	CM	279	279-308-332	A2,B
5KC47AB269	282	1/4	1425	125	50	1	Either	RR	CM	282	282-310 638-639	A2,B
5KC47AB273	283	1/4	1725	125	60	1	Either	RR	CM	283	283-309	A2,B
5KC47AB275	276	1/4	1725	110	60	1	Either	FHP	CM	276	276-303-314 334-377	A2,B
5KC47AB275A	276	1/4	1725	110	60	1	Either	FHP	CM	276	276-303-314 334-377	A2,B
5KC47AB276	278	1/4	1425	110	50	1	Either	FHP	CM	278	278-307-333 377	A2,B
5KC47AB276A	278	1/4	1425	110	50	1	Either	FHP	CM	278	278-307-333 377	A2,B
5KC47AB277	282	1/4	1425	125	50	1	Either	RR	CM	282	282-310 638-639	A2,B
5KC47AB277A	282	1/4	1425	125	50	1	Either	RR	CM	282	282-310 638-639	A2,B
5KC47AB278	283	1/4	1725	125	60	1	Either	RR	CM	283	283-309	A2,B
5KC47AB278A	283	1/4	1725	125	60	1	Either	RR	CM	283	283-309	A2,B
5KC47AB279	279	1/4	1425	220	50	1	Either	FHP	CM	279	279-308-332	A2,B
5KC47AB279A	279	1/4	1425	220	50	1	Either	FHP	CM	279	279-308-332	A2,B
5KC47AB302	284	1/4	1725	220	60	1	Either	FHP	CM	284	284-315-329	A2,B
5KC47AB302A	284	1/4	1725	220	60	1	Either	FHP	CM	284	284-315-329	A2,B
5KC47AB462	759	1/6	1425/1725	110	50/60	1	Either	FHP	CM32,33	759	759	A2,B
5KC47AB465	760	1/3	1725	110	60	1	Either	FHP	CM34	760	760-762	A,B
5KC47AB470	761	1/3	1725	220	60	1	Either	FHP	CM34	761	761-763	A1,B
5KC47AB473	762	1/3	1725	110	60	1	Either	FHP	CM34	760-762	762-763	A1,B
5KC47AB481	763	1/3	1725	110/220	60	1	Either	FHP	CM34	760-761 762-763	763	A1,B
5KC47AB578	303	1/4	1725	110	60	1	Either	FHP	Cond.Units	276-303	303-314-334	A2,B
5KC47AB643	307	1/4	1425	110	50	1	Either	FHP	Cond.Units	278-307	307-333-377	A2,B,C
5KC47AB644	308	1/4	1425	220	50	1	Either	FHP	Cond.Units	279-308	308-316-332	A2,B,C
5KC47AB657	309	1/4	1725	125	60	1	Either	RR	Cond.Units	283-309	309	A2,B,C
5KC47AB658	310	1/4	1425	125	50	1	Either	RR	Cond.Units	282-310	310-639	A2,B,C
5KC47AB669	765	1/3	1725	125/250	60	1	CCW	RR	CM34	765	765	A1,B
5KC47AB743CX	314	1/4	1725	115	60	1	Either	RR	Cond.Units	276-303-314	314-334-377	A2,B,X
5KC47AB744CX	329	1/4	1725	220	60	1	Either	RR	Cond.Units	284-329	315-329	A2,B,X
5KC47AB755BX	316	1/4	1425	220	50	1	Either	RR	Cond.Units	279-302-316	316-332	A2,B,X
5KC47AB805BX	638	1/4	1425	125	50	1	Either	RR	Cond.Units	282-638	638-639	A2,B,X
5KC47AB1112X	639	1/4	1425	125	50	1	Either	RR	Cond.Units	282-310 638-639	639	A2,B,C,X
5KC47AB1113AX	332	1/4	1425	220	50	1	Either	SSP	Cond.Units	279-308 316-332	332	A2,B,C,X
5KC47AB1114X	333	1/4	1425	110	50	1	Either	RR	Cond.Units	278-307-333	333-377	A2,B,C,X
5KC47AB1115X	334	1/4	1725	110	60	1	Either	RR	Cond.Units	276-303 314-334	344-377	A2,B,C,X
5KC47AB1901X	314	1/4	1725	115	60	1	Either	RR	Cond.Units	276-303-314	314-334-377	A2,B,X
5KC47AB1903X	638	1/4	1425	125	50	1	Either	RR	Cond.Units	282-638	638-639	A2,B,X
5KC47AB1904X	316	1/4	1425	220/230	50	1	Either	FHP	Cond.Units	279-302-316	316-332	A2,B,X
5KC48AB34	782	1/3	1140	110/220	40	1	Either	RR	CM34	782	782	A1,B
5KC48BB7	783	1/3	1425	110/220	25	1	Either	FHP	CM34	783-785	783	A1,B
5KC48BB8	784	1/3	1725	120/240	30	1	Either	RR	CM34	784	784	A1,B
5KC48BB9	785	1/3	1425	110/220	25	1	Either	FHP	CM34	785	783-785	A,B



# FRACTIONAL HORSEPOWER MOTORS

## Interchangeability & General Information

TABLE 1 (Continued)

Motor Model No.	Index No. 8102025, Part	HP	RPM	Volts	Freq.	Ph.	Rot.	Type Exchange	Equipment Used On	Can Replace 8102025, Part	Can be Replaced by 8102025, Part	Notes
5KC49AB7	787	1/6	1140	110	40	1	Either	RR	CD1,2,3	787	787-791	A2,B
5KC49AB10A	364	1/4	1140	110	40	1	Either	RR	CM	364	364-380	A2,B
5KC49AB14	789	1/6	1140	220	40	1	Either	RR	CD1,2,3	789	789-796	A2,B
5KC49AB15	790	1/6	1140	250	40	1	Either	RR	CD1,2,3	790	790-795	A2,B
5KC49AB18	791	1/6	1140	110	40	1	Either	RR	CM32,33	787-791	791	A2,B
5KC49AB33	792	1/3	1425	110/220	50	1	Either	FHP	CM34	792	792	A1,B
5KC49AB34	793	1/3	1425	220	50	1	Either	RR	CM34	793	793	A1,B
5KC49AB40	794	1/3	1425	125/250	50	1	Either	RR	CM34	794	794	A1,B
5KC49AB50	795	1/6	1140	250	40	1	Either	RR	CM32	790-795	795	A2,B
5KC49AB56	796	1/6	1140	220	40	1	Either	RR	CM32,33	789-796	796	A2,B
5KC49AB178X	380	1/4	1140	110	40	1	Either	RR	Cond.Units	364-380	380	A2,B,C,X
5KC49BA392	797	1/6	1425	110	25	1	Either	RR	CM1A,CM2C	797	797	A1,B,S
5KC49BB42	798	1/6	1425	110	25	1	Either	RR	CB	798	798	A,B,S
5KC49BB48	799	1/6	1425	220/230	25	1	Either	RR	CB	799	799	A,B,S
5KC49BB52	800	1/6	1725	120	30	1	Either	RR	CB	800	800	A,B,S
5KC49BB146	801	1/6	1425	110	25	1	Either	FHP	CD1,2,3	801	801-805	A2,B
5KC49BB149	802	1/6	1725	120	30	1	Either	RR	CD1,2,3	802	802-804	A2,B
5KC49BB150	803	1/6	1425	220	25	1	Either	RR	CD1,2,3	803	803-808	A2,B
5KC49BB197	804	1/6	1725	120	30	1	Either	RR	CM32,33	802-804	804	A2,B
5KC49BB198	805	1/6	1425	110	25	1	Either	FHP	CM32,33	801-805	805	A2,B
5KC49BB202	806	1/4	1425	110	25	1	Either	RR	Cond.Units	806	806	A2,B
5KC49BB202A	806	1/4	1425	110	25	1	Either	RR	Cond.Units	806	806	A2,B
5KC49BB325	807	1/6	1425	250	25	1	Either	RR	CM32,33	807	807	A2,B
5KC49BB347	808	1/6	1425	220	25	1	Either	RR	CM32,33	803-808	808	A2,B
5KC49BB361	809	1/6	1425	110	25	1	Either	RR	CB1	809	809	A,B,S1
5KC49BB362	810	1/6	1425	120	30	1	Either	RR	CB1	810	810	A,B,S1
5KC49BB414	811	1/6	1425	110	25	1	Either	RR	CM311	811	811	A2,B,S1
5KC49BB839X	788	1/6	1140	115/230	20	1	CCW	RR	CM33M	788	788	A2,B,X
5KY2OB14	-	3w.	1500	110	50/60	1	CCW	SSP	Fan Sealed Unit	See Notes	See Notes	Note 5

NOTES FOR TABLE 1

- A Solid Base
- A1 Resilient Base
- A2 Belt Tightener Base
- A3 No Base - Frame not Drilled
- A4 No Base - Frame Drilled & Tapped for Mounting Bracket
- A5 Flange Mounting
- B Sleeve Bearings
- B1 Ball Bearings
- B2 Unit Sleeve Bearings
- C Connection Box on End of Base
- C1 Connection Box on Side of Frame
- C2 Connection Box on Top of Frame
- D Double Shaft Extension
- D1 Off Standard Shaft Length
- E Totally Enclosed
- K Processed Insulation
- N Marine Type Motor
- P Explosion Proof
- S Capacitor Separate
- S1 Capacitor Off Standard Position on Frame
- X Thermotector - Automatic Reset
- Y Thermotector - Hand Reset

- Note 1: 5K51AL1 Motor can replace 5K61YA1. It can also replace 5KY2OB14 on CH-1A machine only by using C20E74 accessories and C7E2 fan. It can be replaced by 5K61YA1.
- Note 2: 5K51AL9 Motor can replace 5K61YA2. It can also replace 5KY2OB14 on CE-34M machine only by using C20E74 accessories and C7E2 fan. It can be replaced by 5K61YA2.
- Note 3: 5K61YA1 Motor can replace 5K51AL1. It can also replace 5KY2OB14 on CH-1A machine only by using C20E74 accessories and C7E2 fan. It can be replaced by 5K51AL1.
- Note 4: 5K61YA2 Motor can replace 5K51AL9. It can also replace 5KY2OB14 on CE-34M machine only by using C20E74 accessories and C7E2 fan. It can be replaced by 5K51AL9.
- Note 5: 5KY2OB14 Motor can replace no other motor. It can be replaced by 5K51AL1 or 5K61YA1 on CH-1A machine only, and by 5K61YA2 or 5K51AL9 on CE-34M machine only, by using C20E74 accessories and C7E2 fan.

# FRACTIONAL HORSEPOWER MOTORS

## Interchangeability & General Information

TABLE 2

Index No. 8102025, Part	Motor Model No.	Index No. 8102025, Part	Motor Model No.	Index No. 8102025, Part	Motor Model No.	Index No. 8102025, Part	Motor Model No.
13	5BC42AB72	380	5KC49AB178X	716	5KC45AB107	784	5KC48BB8
13	5BC42AB72B	638	5KC47AB805BX	717	5KC45AB115	785	5KC48BB9
14	5BC42AB73	638	5KC47AB1903X	717	5KC45AB251	787	5KC49AB7
14	5BC42AB73B	639	5KC47AB1112X	718	5KC45AB300	788	5KC49BB839X
32	5BC44AB1	661	5BC42AB95	719	5KC45AB300A	789	5KC49AB14
35	5BC44AB89	661	5BC42AB190	719	5KC45AB470	790	5KC49AB15
35	5BC44AB89A	662	5BC42AB96	720	5KC45AB301	791	5KC49AB18
38	5BC44AB147	662	5BC42AB191	720	5KC45AB355	792	5KC49AB33
38	5BC44AB147A	663	5BC42AB104	721	5KC45AB301A	793	5KC49AB34
41	5BC44AB170	664	5BC42AB129	721	5KC45AB355A	794	5KC49AB40
41	5BC44AB170A	665	5BC42AB153	721	5KC45AB396	795	5KC49AB50
41	5BC44AB1300	666	5BC42AB179	721	5KC45AB410	796	5KC49AB56
42	5BC44AB188	666	5BC42AB270	722	5KC45AB313	797	5KC49BA392
42	5BC44AB188B	667	5BC42AB192	722	5KC45AB356	798	5KC49BB42
42	5BC44AB359	668	5BC42AB259	723	5KC45AB313A	799	5KC49BB48
46	5BC44AB424	669	5BC42AB416	723	5KC45AB447	800	5KC49BB52
47	5BC44AB424X	670	5BC42AB1107X	724	5KC45AB315	801	5KC49BB146
47	5BC44AB1056X	671	5BC42AB1108AX	725	5KC45AB326	802	5KC49BB149
48	5BC44AB425	672	5BC42AB1109AX	725	5KC45AB357	803	5KC49BB150
49	5BC44AB425X	673	5BC42AB1172	726	5KC45AB326A	804	5KC49BB197
49	5BC44AB1177X	674	5BC42AB1172X	726	5KC45AB451	805	5KC49BB198
53	5BC44AB919	675	5BC42AB1205X	727	5KC45AB327	806	5KC49BB202
65	5BC44AB1085X	676	5BC44AB650	728	5KC45AB327A	806	5KC49BB202A
65	5BC44AB1301X	677	5BC44AB650X	728	5KC45AB453	807	5KC49BB325
66	5BC44AB1302X	677	5BC44AB1421	729	5KC45AB328	808	5KC49BB347
241	5KC45AB5	683	5BC42AB570X	729	5KC45AB358	809	5KC49BB361
241	5KC45AB52	684	5BC46A379	730	5KC45AB329	810	5KC49BB362
242	5KC45AB319	684	5BC46A391	730	5KC45AB359	811	5KC49BB414
242	5KC45AB319A	684	5BC46A409	731	5KC45AB346	815	5BC42AB570
276	5KC47AB233	684	5BC46A261	732	5KC45AB347		
276	5KC47AB275	685	5BC46A380	733	5KC45AB348		
276	5KC47AB275A	685	5BC46A460	734	5KC45AB360		
278	5KC47AB243	686	5BC46A381	735	5KC45AB375		
278	5KC47AB276	686	5BC46A434	736	5KC45AB395		
278	5KC47AB276A	687	5BC46A499	736	5KC45AB403		
279	5KC47AB253	688	5BC46A597	736	5KC45AB431		
279	5KC47AB279	689	5BC46AB7	736	5KC45AB655B		
279	5KC47AB279A	691	5BC46AB14	737	5KC45AB404		
232	5KC47AB269	692	5BC46AB15	738	5KC45AB405		
282	5KC47AB277	698	5K43AC656	739	5KC45AB448		
282	5KC47AB277A	700	5KC45AA524	740	5KC45AB469		
283	5KC47AB273	701	5KC45AA542	741	5KC45AB443		
283	5KC47AB278	701	5KC45AA617	741	5KC45AB498		
283	5KC47AB278A	701	5KC45AB354	742	5KC45AB523		
284	5KC47AB302	702	5KC45AA614	743	5KC45AB525		
284	5KC47AB302A	703	5KC45AA615	744	5KC45AB530		
303	5KC47AB578	703	5KC45AB56	745	5KC45AB531		
307	5KC47AB643	704	5KC45AA648	746	5KC45AB578		
308	5KC47AB644	705	5KC45AA649	747	5KC45AB612		
309	5KC47AB657	706	5KC45AA656	754	5KC47AA114		
310	5KC47AB658	707	5KC45AB53	755	5KC47AB39		
314	5KC47AB743CX	707	5KC45AB477	756	5KC47AB77		
314	5KC47AB1901X	708	5KC45AB57	759	5KC47AB462		
316	5KC47AB755BX	709	5KC45AB59	760	5KC47AB465		
316	5KC47AB1904X	710	5KC45AB60	761	5KC47AB470		
329	5KC47AB744CX	711	5KC45AB66	762	5KC47AB473		
332	5KC47AB1113AX	712	5KC45AB67	763	5KC47AB481		
333	5KC47AB1114X	713	5KC45AB77	765	5KC47AB669		
334	5KC47AB1115X	714	5KC45AB93	782	5KC48AB34		
364	5KC49AB10A	715	5KC45AB106	783	5KC48BB7		